



# Zoneline® AIR CONDITIONER

**SAFETY INFORMATION** .....3

**USING THE ZONELINE**

Controls .....6

To Remove the Room Cover .....7

Air Direction .....7

Ventilation Control.....7

Auxiliary Controls.....8

Remote Thermostat.....13

Wi-Fi Settings (AZV Models).....15

**CARE AND CLEANING**

Room Cover and Sleeve .....16

Outdoor Coils .....16

Base Pan .....16

Ventilation Filter.....16

Air Filters.....17

**REQUIREMENTS FOR OPERATION** .....18

**INSTALLATION INSTRUCTIONS**

Preparation .....24

Replacing an Existing Unit .....25

Electrical Connection.....26

Installing the Zoneline.....29

Optional Drain Kit .....31

**TROUBLESHOOTING TIPS**.....32

Normal Operating Sounds .....34

**CONSUMER SUPPORT**

Warranty .....35

Consumer Support.....36

## OWNER'S MANUAL

AZE  
AZH  
AZV

### Español

For a Spanish version of this manual, visit our Website at [www.zoneline.com](http://www.zoneline.com).

Para consultar una versión en español de este manual de instrucciones, visite nuestro sitio de internet [www.zoneline.com](http://www.zoneline.com).

Write the model and serial numbers here:

Model # \_\_\_\_\_

Serial # \_\_\_\_\_

Find these numbers on a label behind the room cover on the base pan.

## **THANK YOU FOR MAKING GE APPLIANCES A PART OF YOUR HOME.**

---

Whether you grew up with GE Appliances, or this is your first, we're happy to have you in the family.

We take pride in the craftsmanship, innovation and design that goes into every GE Appliances product, and we think you will too. Among other things, registration of your appliance ensures that we can deliver important product information and warranty details when you need them.

Register your GE appliance now online. Helpful websites and phone numbers are available in the Consumer Support section of this Owner's Manual. You may also mail in the pre-printed registration card included in the packing material.



# IMPORTANT SAFETY INFORMATION

## READ ALL INSTRUCTIONS BEFORE USING THE APPLIANCE

### **⚠ WARNING**

For your safety, the information in this manual must be followed to minimize the risk of fire or explosion, electric shock, or to prevent property damage, personal injury, or loss of life.

### **SAFETY PRECAUTIONS**

- This Zoneline must be properly installed in accordance with the Installation Instructions before it is used. See the Installation Instructions in the back of this manual.
- Immediately replace all electric service cords that have become frayed or otherwise damaged. A damaged power supply cord must be replaced with a new power supply cord obtained from the manufacturer and not repaired. Do not use a cord that shows cracks or abrasion damage along its length or at either the plug or connector end.
- Unplug or disconnect the Zoneline at the fuse box or circuit breaker before making any repairs.

**NOTE:** We strongly recommend that any servicing be performed by a qualified individual.

- These R454B air conditioning systems require contractors and technicians to use tools, equipment and safety standards approved for use with this refrigerant. **DO NOT use equipment certified for R22 refrigerant only.**
- This unit is not to be installed in a laundry room.
- Children should be supervised to ensure that they do not play with the appliance.
- Appliances that are obviously damaged must not be operated.
- For inverter PTAC models (AZV) wait 10 minutes after disconnecting the unit from power before cleaning vent door filter and handling/servicing inverter circuit board.

#### **Replacing an existing unit?**

For details, see the Installation Instructions in this manual.

This appliance is not intended for use by persons (including children) with reduced physical, sensory or mental capabilities, or lack of experience and knowledge, unless they have been given supervision or instruction concerning use of the appliance by a person responsible for their safety.

## READ AND SAVE THESE INSTRUCTIONS

# CONSIGNES DE SÉCURITÉ IMPORTANTES

## LISEZ TOUTES LES INSTRUCTIONS AVANT L'UTILISATION

**AVERTISSEMENT**

Pour votre sécurité, veuillez observer les consignes de ce manuel afin de réduire le risque d'incendie, d'explosion, de choc électrique, de dommages à la propriété ou de blessures, graves ou fatales.

## MESURES DE SÉCURITÉ

- Avant son utilisation, ce climatiseur Zoneline doit être installé correctement en conformité avec les instructions d'installation. Consultez les instructions d'installation au dos de ce manuel.
- Remplacez immédiatement tous les cordons électriques usés ou autrement endommagés. Un cordon électrique endommagé ne doit pas être réparé, il doit être remplacé par un cordon neuf acquis auprès du fabricant. N'utilisez pas un cordon qui présente des fissures ou des marques d'abrasion sur sa longueur, sa fiche ou sa connexion.
- Débranchez le climatiseur Zoneline ou coupez le courant à la boîte de fusibles ou au disjoncteur avant d'effectuer une réparation.

**REMARQUE:** Nous recommandons vivement que les réparations soient effectuées par une personne qualifiée en la matière.

- Les outils, les équipements et les normes de sécurité utilisés par les entrepreneurs et les techniciens doivent être approuvés en fonction du fluide frigorigène dont le système de climatisation R410A du Zoneline est équipé. **N'UTILISEZ PAS d'équipements certifiés relativement au fluide frigorigène R22 seulement.**
- Les enfants doivent être surveillés pour s'assurer qu'ils ne jouent pas avec l'appareil.
- Les appareils qui sont manifestement endommagés ne doivent pas être utilisés.

### Vous remplacez un climatiseur existant?

Pour de plus amples renseignements, veuillez consulter les instructions d'installation de ce manuel.

Cet appareil n'est pas destiné à être utilisé par des personnes (y compris des enfants) dont les capacités physiques, sensorielles ou mentales sont réduites, ou dont l'expérience et les connaissances sont insuffisantes, à moins qu'elles ne soient surveillées ou instruites de l'utilisation de l'appareil par une personne responsable de leur sécurité.

## LIRE ET CONSERVER CES INSTRUCTIONS

# INFORMACIÓN IMPORTANTE DE SEGURIDAD

## LEA TODAS LAS INSTRUCCIONES ANTES DE USAR



### ADVERTENCIA

Para su seguridad, se debe seguir la información de este manual para minimizar el riesgo de incendio o explosión, descargas eléctricas, o para evitar daños a la propiedad, lesiones personales o la muerte.

## PRECAUCIONES DE SEGURIDAD

- Antes de iniciar su uso, el acondicionador de aire Zonline debe instalarse correctamente según las Instrucciones de instalación. Ver las Instrucciones de instalación en la parte trasera de este manual.
- Reemplace inmediatamente todos los cables eléctricos que se haya pelado o que se hayan dañado de alguna otra manera. Un cable de corriente dañado no debe repararse, sino que debe ser sustituido por uno nuevo que se adquiera del fabricante. No use un cable eléctrico que muestre evidencias de deterioro o daños de abrasión en su superficie o en cualquiera de sus enchufes o extremos.
- Desenchufe o desconecte el Zonline desde la caja de fusibles o el disyuntor antes de realizar cualquier tipo de reparación.

**NOTA:** Recomendamos enérgicamente que cualquier servicio llevado a cabo en este equipo lo realice un individuo calificado.

- Los sistemas de acondicionador de aire R410A requieren que los contratistas y técnicos utilicen herramientas, equipamiento y normas de seguridad aprobadas para su uso con este refrigerante.

**NO utilice equipamiento certificado sólo para refrigerante R22.**

- Se deberá supervisar a los niños para asegurar que no se juegue con el electrodoméstico.
- Aquellos electrodomésticos que obviamente se encuentran dañados no deberán ser usados.

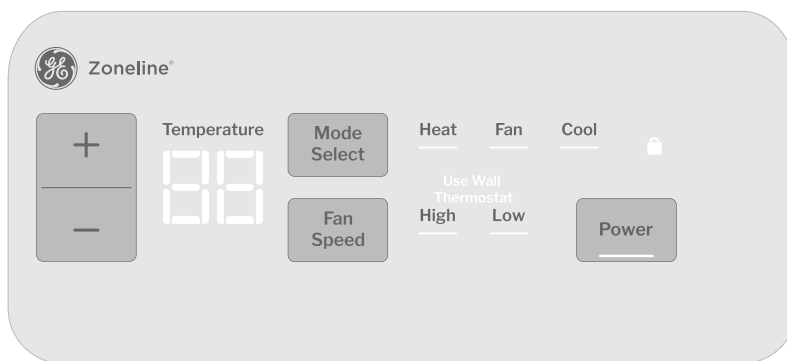
### ¿Desea reemplazar una unidad ya instalada?

Para más detalles, ver las Instrucciones de instalación en este manual.

Este electrodoméstico no deberá ser usado por personas (incluyendo niños) con capacidades físicas, sensoriales o mentales reducidas o con falta de experiencia y conocimiento, a menos que cuenten con supervisión o instrucción en relación al uso de este electrodoméstico por parte de una persona responsable de su seguridad.

## LEA Y GUARDE ESTAS INSTRUCCIONES

# Controls



## Temperature Control

The temp control is used to maintain the room temperature. The system will cycle on and off to keep the room at the same level of comfort.

Press the + pad to raise the temperature.

Press the - pad to lower the temperature.

**NOTE:** The display shows the set temperature, not the room temperature.

## Fan, Mode and Operation Control

**FAN** – Sets the fan operation for **HIGH** or **LOW**.

**MODE** – **COOL** – For cooling

**FAN** – For fan-only operation

**HEAT** – For heating

**POWER** – Turns unit Off and On. Power remains connected to the zoneline. The Freeze/ Heat Sentinel, constant fan, humidity sentinel, makeup air, and defrost features still function if active. See Freeze/Heat Sentinel section on page 9.

**USE WALL THERMOSTAT**— This LED will light up when the unit is controlled by a wall thermostat. See page 10 for details.

## Control Lock Out

The control panel can be locked out to prevent users from changing operation mode of the unit. While the unit is in the desired operating mode, press and hold MODE and POWER buttons for 3 seconds and RELEASE to lock the control and desired setting.

When locked, locked indicator LED will be illuminated.

To unlock the control lock out feature and resume normal operation, press and hold MODE and POWER buttons for 3 seconds and RELEASE.

**NOTE:** When switching between modes, it may take several minutes to completely change operation.

## About Your Heat Pump (AZH and AZV only)

Heat pumps can save money by capturing heat from the outside air—even when the outside temperature is below freezing—and releasing that heat indoors.

To get the best energy performance from your heat pump, don't change the room thermostat by more than one degree at one time. Raising the heat setting 2–3 degrees will cause the Zoneline to use its electric heating elements in order to reach the new temperature setting quickly.

The electric heating elements use more electricity than heat pumps and cost more to operate.

There is a 3-minute minimum compressor run time at any setting to prevent short cycling.

The fans start before the compressor and stop after the compressor cycles off.

**For all AZH models and those AZV models equipped with Internal Condensate Removal,** When the outdoor temperature is lower than 25°F, heat is provided by the electric heater instead of by the heat pump. When the outdoor temperature is lower than 25°F, cooling operation is locked out. Cooling operation will resume when the outdoor temperature rises above 40°F.

**For AZV models not equipped with Internal Condensate Removal,** When the outdoor temperature is lower than 0°F, heat is provided by the electric heater instead of by the heat pump. When the outdoor temperature is lower than 0°F, cooling operation is locked out. Heat Pump and Cooling operation will resume when the outdoor temperature rises above 5°F.

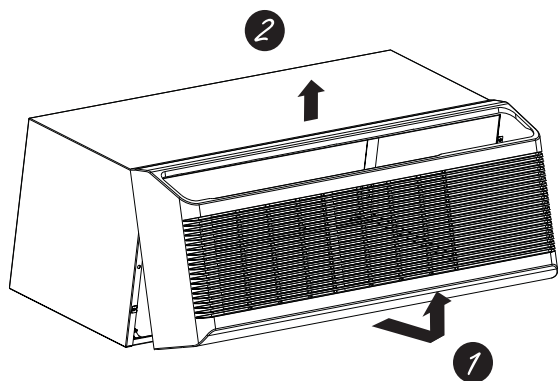
# Using the Zoneline

## To Remove the Room Front

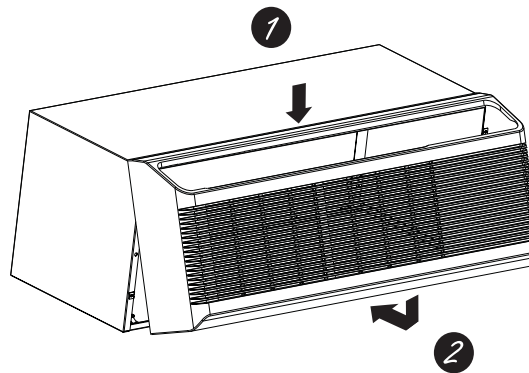
Additional controls are located behind the room cover.

**Warning:** Do not remove room front. Room front is only to be removed for installation or if servicing.

**To remove:** Pull out at the bottom to release it from the holding tabs on the sides (1). Then lift up (2).

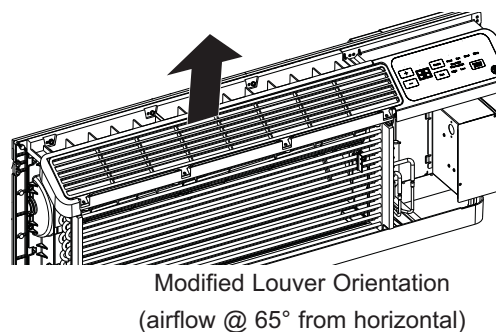
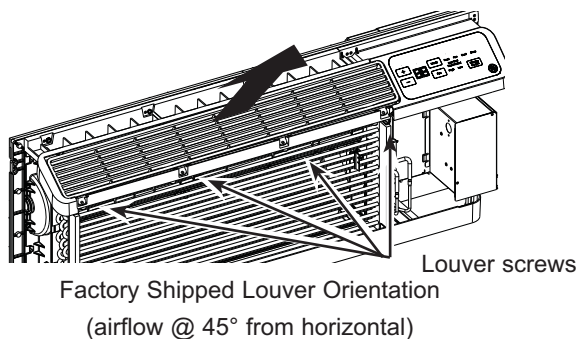


**To replace:** Align and place the top rail of the room cover over the chassis (1). Push inward at the bottom until it snaps into place (2).



## Air Direction

To change the air direction, remove the room cover. Remove the 4 louver screws that hold the louver insert in place. Rotate the louver 180°, reinstall and replace the screws and the room cover.



## Ventilation Control\*

**NOTE:** Two shipping screws must be removed from the vent door before use. See the Installation Instructions in the back of this manual.

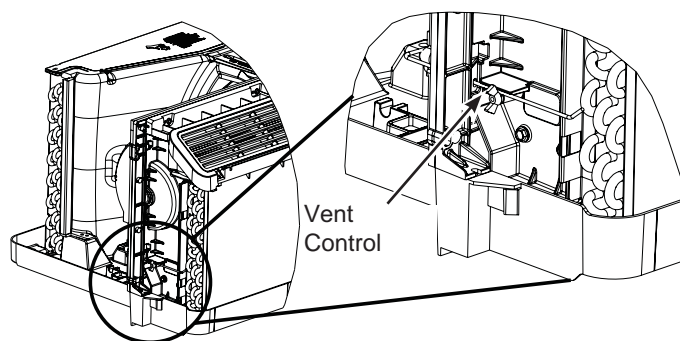
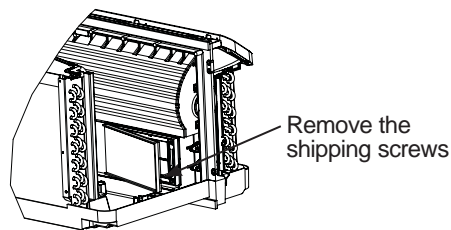
The ventilation control lever is located at the lower left side of the Zoneline unit, behind the room cover. The position of the lever can be adjusted with the wing nut.

When set at the closed position, only the air inside the room is circulated and filtered.

When set in an open position, some outdoor air will be drawn into the room. This will reduce the heating or cooling efficiency.

**Energy Tip:** Keep the vent control in the closed position to prevent unconditioned air from entering the room.

\* Not on Make Up Air Module Units.



# Auxiliary controls on your Zoneline

## Auxiliary Controls - Aux Set Button

While the unit is preset to what most customers prefer, there are auxiliary controls located behind the room cover, below the control panel.

Remove the room cover. See the **To Remove the Room Front** section, on page 7.

If the owner modifies the auxiliary controls, the owner is responsible for ensuring the auxiliary controls are set to the desired function. There are multiple functions/modes that can be adjusted using the auxiliary set button.

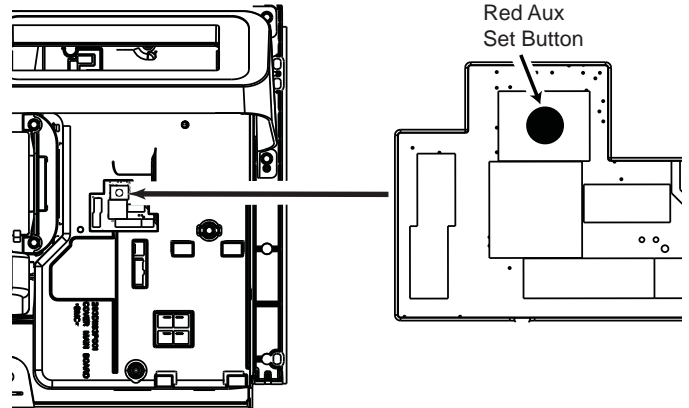
To change operating or set up parameters, press the red **AUX** button at any time. "A1" will appear on the display.

Press **+** or **-** to increment through the Aux setting Menus (A1, A2, etc). Heat / Cool will not be illuminated.

Press the **FAN** button to enter the selected Aux Setting Menu. Then, press **+** or **-** to change the setting. Some settings will use the **MODE** button for additional

selections. Press the **FAN** button again to exit the current Aux Setting menu and to return to the Aux Menu list. Settings are applied when **FAN** button is pressed.

Press the red **AUX** button to exit AUX setting menu and return to normal operation.



### **AUX A1** Smart Fan—Cooling/Heating

Use **+** or **-** to navigate to A1 AUX Setting, and enter the menu with the **FAN** button. The **COOL** LED light on the main control will be on and any changes using **+** or **-** will affect the unit's operation during the cooling mode. To adjust heating mode settings, press **MODE** again. The **HEAT** LED light on the main control will be lit and changes using **+** or **-** will affect the unit's operation during heating mode.

To configure the indoor fan to cycle on and off in heating or cooling mode, press the **+** or **-** buttons to select "Cy".

To configure the indoor fan to run continuously in heating or cooling mode, press the **+** or **-** buttons to select "Co".

Press **FAN** or **MODE** button to confirm selection.

The default setting for Mode 1 is as follows:

Cooling: Continuous (Co)

Heating: Cycle (CY)

**\*Note:** In cyclic operation, the indoor fan will activate occasionally to verify the air temperature in the room (not applicable for 2-way connected thermostat operation). If using a 24V external thermostat, these settings do not apply.

09

Mode

Cool

Fan

08

Mode

Cool

Fan

09

Mode

Heat

Fan

08

Mode

Heat

Fan



# Auxiliary controls on your Zoneline

## AUX A2 Fahrenheit / Celsius

This feature allows the individual to switch the temperature units between Fahrenheit and Celsius on the display.

Use **+ or -** to navigate to A2 AUX Setting, and enter the menu with the **FAN** button.

Use **+ or -** to navigate to select Celsius or Fahrenheit. The individual will see an F for Fahrenheit or a C for Celsius in the second digit of the display based on the selection.

The default setting for Mode 2 is Fahrenheit.



## AUX A3 Freeze Sentinel/Heat Sentinel

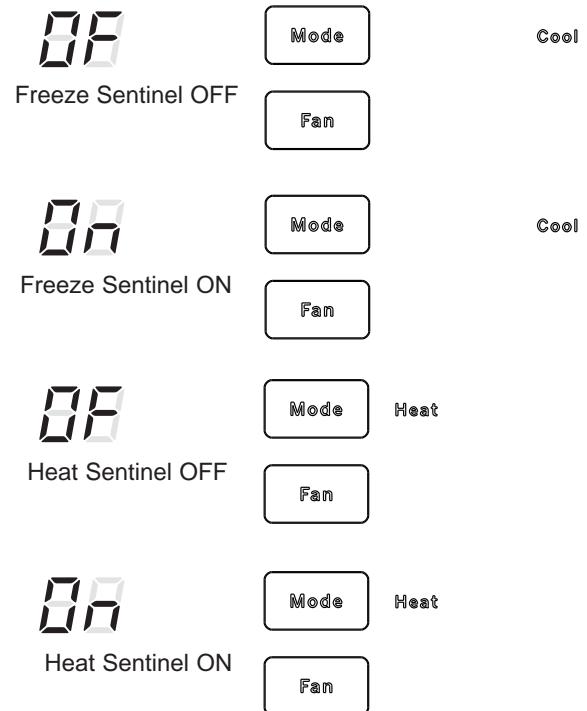
With power to the unit and **Freeze Sentinel** activated, the unit automatically provides heat without user interface. This prevents potential plumbing damage by detecting very cold indoor room conditions and trying to raise the room temperature to 46°F via heat pump and/or resistance heat operation.

With power to the unit and **Heat Sentinel** activated, the unit automatically provides cooling without user interface. This prevents an excessively hot room by turning the air conditioner to reduce the indoor room temperature to 80°F.

Use **+ or -** to navigate to A3 AUX Setting, and enter the menu with the **FAN** button. The COOL LED light on the main control will be on for Freeze Sentinel mode. Press **MODE** again to change to Heat Sentinel. The **HEAT** Led light will be on. Press the **+ or -** buttons to cycle between ON "On" and OFF "OF". Press **FAN** or **MODE** buttons to lock in selection.

The default setting for Mode 3: **Heat Sentinel** is off, **Freeze Sentinel** is on.

**NOTE:** If these functions are enabled, they will continue to be active whenever the unit is plugged in, even if the unit is turned off.



## AUX A4 Constant ON Fan

Use **+ or -** to navigate to A4 AUX Setting, and enter the menu with the **FAN** button.

Press the **+ or -** buttons to cycle between **ON** "On" and **OFF** "OF".

Press **FAN** or **MODE** buttons to lock in selection.

Note: This causes the fan to continuously even if unit is turned off.

The default setting for Aux A4 is **OFF**.



# Auxiliary controls on your Zoneline

## AUX A5 Temperature Limiting

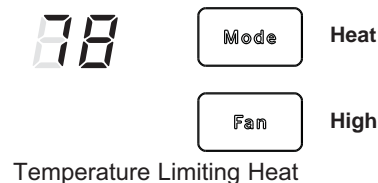
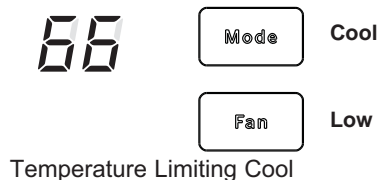
Temperature limiting is a feature that reduces energy costs by limiting the lowest temperature that can be obtained in cooling and the highest temperature that can be obtained in heating.

Use **+ or -** to navigate to A5 AUX Setting, and enter the menu with the **FAN** button. For cool mode, the **COOL** LED light on the main control will be lit. To change to heat mode, press **MODE** again and the **HEAT** LED light on the main control will be lit.

To set the minimum cooling temperature limit or maximum heating temperature limit, press the **+ or -** buttons. The values will be in Celsius or Fahrenheit depending on AUX selection from AUX setting A2. Press **FAN or MODE** button to lock in selection.

The default setting for AUX A5:

- **Cool:** 66 to 85 F (19 to 29 C)
- **Heat:** 60 to 78 F (15 to 25 C)



## AUX A6 Use Wall Thermostat

Setting this mode to ON will allow the unit to operate with a Class 2 Remote Control Wall Thermostat.

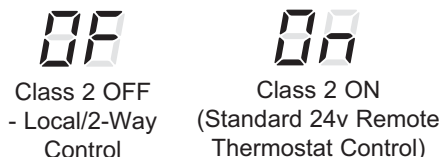
Use **+ or -** to navigate to A6 AUX Setting, and enter the menu with the **FAN** button.

The default setting for Mode 6 is OFF.

Press the **+ or -** buttons to cycle between ON “On” and OFF “OF”. Press **FAN or MODE** buttons to lock in selection.

When Class 2 mode is active, the display will show “Use Wall Thermostat” when any key is pressed.

When 2-Way thermostat is connected, unit will automatically set A6 to “OF” to allow 2-way thermostat control.



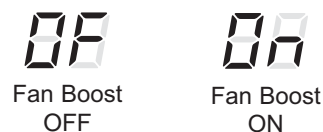
## AUX A7 Fan Boost Setting

This setting is used to increase airflow from unit to ensure proper circulation.

Use **+ or -** to navigate to A7 AUX Setting, and enter the menu with the **FAN** button.

Press the **+ or -** buttons to cycle between ON “On” and OFF “OF”. Press **FAN** button to lock in selection.

The default setting for Aux A7 is OFF



## AUX A8 Heat Mode Selector (AZH and AZV only)

This setting is used to limit which modes of heating the unit can operate in.

Use **+ or -** to navigate to A8 AUX Setting, and enter the menu with the **FAN** button.

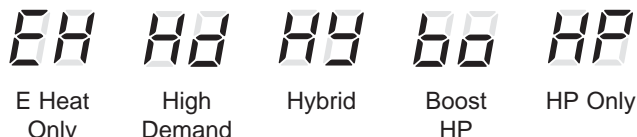
Press the **+ or -** buttons to cycle between:

- **EH:** Electric heat only (Unit provides Only E-heat, unless faulted)
- **Hd:** High Demand (AZH will only use Boost Heat Pump, and AZV will use an increased compressor speed. Unless faulted)
- **HY:** Hybrid (Default. Unit can provide heat through all available modes)

- **Bo:** Boost HP (Will use Boost Heat Pump or normal Heat Pump. Unit won't use electric heat unless faulted)
- **HP:** Heat Pump Only (Unit won't use electric heat unless faulted)

Press **FAN** button to lock in selection.

The default setting for Aux A8 is Hybrid “HY”.



# Auxiliary controls on your Zoneline

## **AUX A9** Heat Fault Override (AZH and AZV only)

This setting is used to further limit which heating modes unit may operate in, depending on which AUX setting is set in A8.

A9 will only be visible if Boost Heat Pump “Bo” or Heat Pump Only “HP” are selected in Aux A8.

Use **+ or -** to navigate to A9 AUX Setting, and enter the menu with the **FAN** button.

Press the **+ or -** buttons to cycle between ON “On” and OFF “OF”.

Press **FAN** button to lock in selection.

ON enables strict heat operation control.

OFF enables unit to override Aux A8 selection if heat pump operation is not allowed.

The default setting for Aux A9 is OFF

  
Heat Fault  
Override OFF

  
Heat Fault  
Override ON

## **AUX B1** Digital Makeup Air Module Fan Speed (Available only on Makeup Air models)

The make-up air ventilation system is designed to provide continuous outdoor air through the vent door and into the room. In addition to providing fresh air, unit will dehumidify room when indoor room is above 50% relative humidity.

Use **+ or -** to navigate to B1 AUX Setting, and enter the menu with the **FAN** button.

Press the **+ or -** buttons to cycle between desired CFM

value or OFF “OF”

Press **FAN** button to lock in selection.

The default setting for Aux B1 is 35 CFM.

**Note:** Shutting off the fan also closes the MUA duct door.

  
35 CFM

  
MUA Off

## **AUX B2** Makeup Air Filter Settings

Use **+ or -** to navigate to B2 AUX Setting, and enter the menu with the **FAN** button.

Press the **+ or -** buttons to cycle between:

- No Filter “no”: No Makeup air filter installed.
- Merv 13 Filter “13”: MERV 13 filter installed.

Press **FAN** button to lock in selection.

The default setting for Aux B2 is no filter.

  
No Filter

  
MERV 13 Filter

## **AUX B3** Digital Makeup Air Module Occupancy

Use **+ or -** to navigate to B3 AUX Setting, and enter the menu with the **FAN** button.

Press the **+ or -** buttons to cycle between desired ON “On” or OFF “OF”

- **ON:** MUA is controlled via 2-Way thermostat occupancy sensor or 24V Auxiliary Input if C1 is configured to “Oc”.

- **OFF:** Makeup air runs continuously.

Press **FAN** button to lock in selection.

The default setting for Aux B3 is OFF.





## **AUX B4** Dehumidification Control (Humidity Sentinel)

Use **+ or -** to navigate to B4 AUX Setting, and enter the menu with the **FAN** button.

Press the **+ or -** buttons to cycle between:

LOW “Lo”: Target 50% RH

Standard “Sd”: Target 50% RH, with more aggressive dehumidification above 70%

High “HI”: Target 50% RH, with more aggressive dehumidification above 60%

OFF “OF”: No additional dehumidification.

Press **FAN** button to lock in selection.

The default setting for Aux B4 is OFF.

  
Off

  
Low

  
Standard

  
High

# Auxiliary controls on your Zoneline

## **AUX B5** UVC Control (available only on UVC equipped models)

Use **+** or **-** to navigate to B5 AUX Setting, and enter the menu with the **FAN** button.

Press the **+** or **-** buttons to cycle between desired ON "On" or OFF "OF"

**ON:** UVC module operates when unit fan is running.

**OFF:** UVC module does not operate.

Press **FAN** button to lock in selection.

The default setting for Aux B5 is **OFF**.

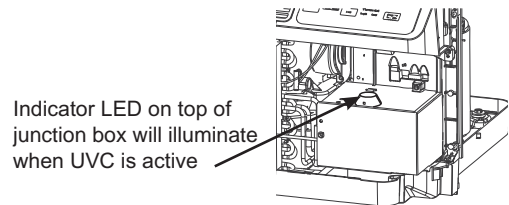
UVC radiation, even in small doses, may cause harm to the eyes and skin.

Unintended use of this appliance or damage to the UVC enclosure may result in the escape of UVC radiation.

Do not operate UVC lamps outside of the appliance.

Unplug or disconnect the Zoneline at the fuse box or circuit breaker before cleaning or making any repairs to UVC components.

Replacement UVC components (UVC Fan Cutoff Assembly- WP01X34553; UVC Junction Box Assembly- WP76X34554) are available from your salesperson, GE Appliances dealer, GE Appliances Service and Parts Center or authorized Customer Care® Servicers.



## **AUX C1** 24 Auxiliary Input Configuration

An auxiliary 24V input is provided to allow integration with external devices such as door switches, occupancy sensors, or control from a remote location. Operation of the feature requires that an ON-OFF switch at a remote location be wired to the two Auxiliary Input terminals on the control panel of the Zoneline using the RAKCDC Accessory. To configure the input:

Enter the AUX menu by pressing the red **AUX** button.

Use **+** or **-** to navigate to C1 AUX setting, and enter the menu with the FAN button.

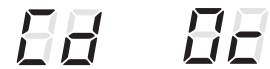
Press the **+** or **-** buttons to cycle between:

### **Central Desk Control "Cd":**

- If contact are closed, unit ignores input from external thermostats or user input. Sentinel modes still operate.
- If contacts are open, the unit will run normally.

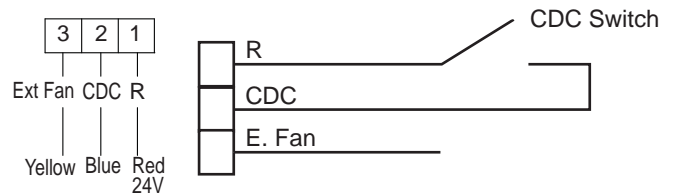
### **Occupancy Control "Oc":**

- If contacts are closed and a 2-way thermostat is not connected, the unit will go into an unoccupied state. If AUX b2 is set to On, Make-Up Air Operation will be disabled.
- If contacts are open, the unit will go into an occupied state.



Central Desk Control

Occupancy Mode



# Auxiliary controls on your Zoneline

## Auxiliary Controls - Terminal Connections

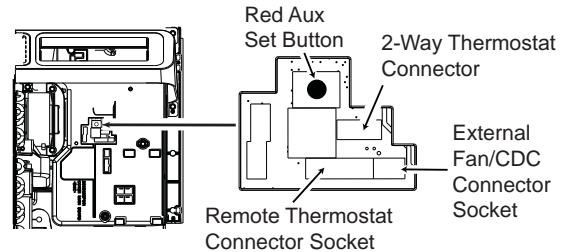
The auxiliary control terminal connections are located behind the room cover beneath the unit controls.

1. Turn off and unplug the unit.
2. Remove the room cover. See the To Remove the Room Cover section.
3. To make wiring connections, insert the connectors into the appropriate terminals on the control box.
4. After all desired connections have been made, replace the room cover.

The owner is responsible for making all connections and setting the appropriate **AUX SET** mode(s).

**NOTICE:**

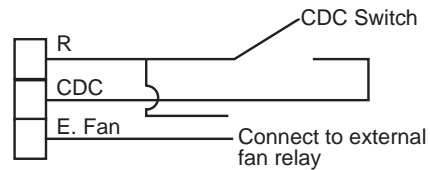
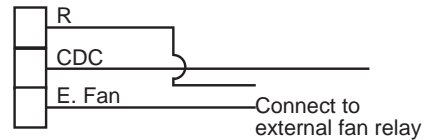
Improper wiring may damage the Zoneline electronics. No common bussing is permitted. Damage or erratic operation may result. A separate wire pair must be run from each separate controlling switch to each individual Zoneline.



## External Fan (Field Installed)

When connected, an auxiliary or external fan can be controlled at the same time as the indoor fan motor on the Zoneline. Connections provide 24 V AC to energize a remote relay.

To enable this feature, a replacement main board, WP26X34616, and an RAKCDC accessory must be installed.



## Remote Thermostat (Field Supplied)

The RAKTK8PA1\* Remote Thermostat Connector Kit is required to allow the use of a remote wall thermostat in place of the unit controls on the Zoneline.

When connected to a remote thermostat, the indoor air temperature sensing is shifted from the unit to the remote thermostat. For this reason, the units will operate slightly differently when connected to a remote thermostat. The following chart shows the unit operation when connected to a remote thermostat.

**IMPORTANT:** The Zoneline thermostat connections provide 24 V AC only.

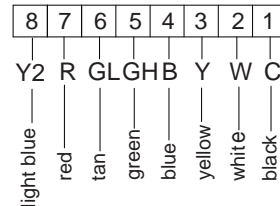
If using a digital/electronic wall thermostat, you must set it to the 24 V AC setting. See the Installation Instructions for the wall thermostat.

**NOTICE:**

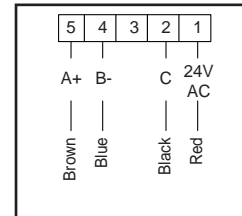
Damage to a wall thermostat or to the Zoneline electronics can result from improper connections. Special care must be used in connecting the wires. No line voltage connections should be made to any circuit. Isolate all wires in building from line voltage.

- **Note:** If you are missing either connector, **GE Appliances part# WJ26X28997** can be ordered.

Standard Remote Thermostat Connector



2-Way Communication External Thermostat Connector



# USING THE ZONELINE Auxiliary controls on your Zoneline

## Remote Thermostat (Field Supplied) (cont)

Active UNIT features when using a remote thermostat			
Feature	AZE	AZH	AZV
Indoor Frost Control	Yes	Yes	Yes
Freeze Sentinel	Yes	Yes	Yes
Electronic Temperature Limiting	No	No	No
Switch to Resistance Heat Based on Indoor Temperature	N/A	Determined by Remote Thermostat	
Switch to Resistance Heat Based on Outdoor Temperature	N/A	Yes	Yes
Reverse Cycle Defrost	N/A	Yes	Yes
Simultaneous Partial Resistance Heat with Heat Pump	N/A	Yes	Yes
Resistance Heat Lockout	N/A	Yes	Yes
"Smart Fan" Fan Cycle	Fan ON/AUTO Set On Remote Thermostat		
Central Desk Control	Yes	Yes	Yes
Humidity Sentinel	N/A	N/A	Yes

Active UNIT features when using 2 – Way remote thermostat			
Feature	AZE	AZH	AZV
Indoor Frost Control	Yes	Yes	Yes
Freeze Sentinel	Yes	Yes	Yes
Electronic Temperature Limiting	Yes	Yes	Yes
Switch to Resistance Heat Based on Indoor Temperature	Yes	Yes	Yes
Switch to Resistance Heat Based on Outdoor Temperature	N/A	Yes	Yes
Reverse Cycle Defrost	N/A	Yes	Yes
Simultaneous Partial Resistance Heat with Heat Pump	N/A	Yes	Yes
Resistance Heat Lockout	N/A	Yes	Yes
"Smart Fan" Fan Cycle	Yes	Yes	Yes
Central Desk Control	Yes	Yes	Yes
Humidity Sentinel	N/A	N/A	Yes

**NOTE:** The Class 2 Mode setting (Mode 6) must be set to ON for the unit to operate with a Class 2 Remote Wall Thermostat. (See the installation instructions supplied with the remote thermostat and mode instructions on page 10.)

\* also available in a package of ten - RAKTK8PA10

# Wi-Fi Settings for AZV models

To view Wi-Fi status, press and hold + and –, then release after 3 seconds. The viewing mode will automatically exit after 5 seconds of inactivity or when any button is pressed.

7 segment display will show status of Wi-Fi module:

- **Off “OF”** – Module is disconnected from Wi-Fi.
- **Connecting “Cn”** – Unit is connecting to Wi-Fi.
- **Connected “Co”** – Unit is connected to Wi-Fi.
- **Unknown “--”** – Wi-Fi module is not detected.

To commission Wi-Fi: press and hold the **AUX** and **MODE SELECT** buttons for more than 3 seconds, then release.

The 7 segment display will update to show “Cn” if it was off previously, or “OF” if it was connected previously.

Pressing and holding **Mode** and **AUX** again will toggle between OF and Cn/Co.

Pressing any button will revert UI to standard UI operation, but Wi-Fi will continue in the mode that it was left.

**Note:** While commissioning Wi-Fi, the timeout for the display to automatically return to its normal operation is 15 minutes.



# Care and Cleaning

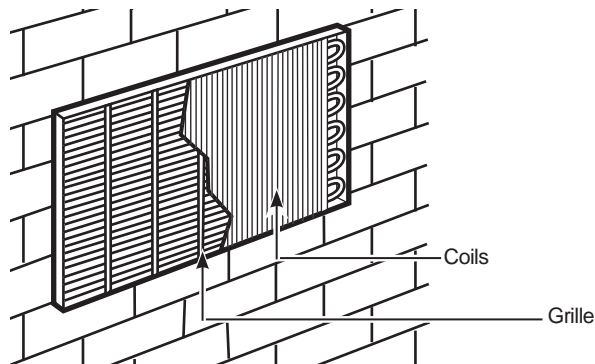
## Room Cover and Sleeve

Turn the Zoneline off and disconnect the power supply.

To clean, use water and a mild detergent. Do not use bleach or abrasives. Some commercial cleaners may damage the plastic parts.

## Outdoor Coils

The coils on the outdoor side of the Zoneline should be checked regularly. If they are clogged with dirt or soot, they should be cleaned by either low or no pressure cleaning methods. Ensure that electrical area/devices are protected during cleaning. You will need to remove the unit from the wall sleeve to inspect the coils. **The dirt buildup occurs on the fan side of the outdoor coil.**



Clean the outside coils regularly.

## Base Pan

In some installations, dirt or other debris may be blown into the unit from the outside and settle in the base pan (the bottom of the unit).

In some areas of the United States, a naturally occurring "gel-like" or "slime-like" substance may be seen in the base pan.

Check it periodically and clean, if necessary.

On AZE series models, do not remove the rubber drain plug from the base pan. In cooling operation, water in the base pan promotes evaporative cooling and increases energy efficiency.

## Ventilation Filter

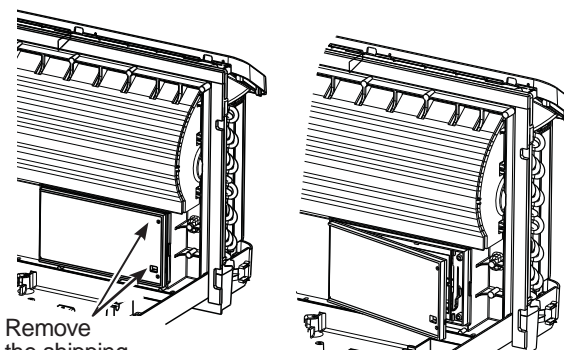
If the vent door is open, clean the vent filter twice a year or as required. Access requires the removal of the unit from the wall sleeve.

Turn the Zoneline off and unplug before removing and cleaning.

### To clean the vent filter:

**IMPORTANT:** This filter is not removable. Trying to remove this filter will damage the unit.

- Use a vacuum to remove debris from the filter.
- Use a damp rag to wipe down the filter and surrounding area after vacuuming.



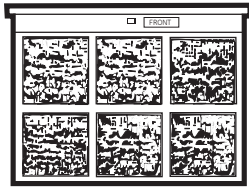
Remove the shipping screws



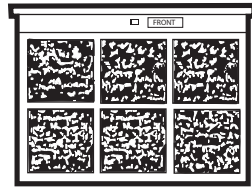
# Care and Cleaning

## Air Filters

To maintain optimum performance, clean the filters at least every 30 days.



Dirty filter—  
Needs cleaning



Clogged filter—  
Greatly reduces cooling,  
heating and airflow.

### Turn the Zoneline off before cleaning.

The most important thing you can do to maintain the Zoneline is to clean the filter at least every 30 days. Clogged filters reduce cooling, heating and air flow.

### Keeping these filters clean will:

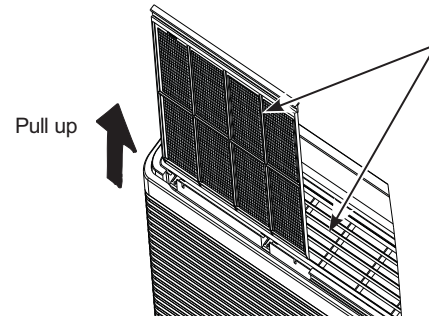
- Decrease cost of operation.
- Save energy.
- Prevent clogged heat exchanger coils.
- Reduce the risk of premature component failure.

### To clean the air filters:

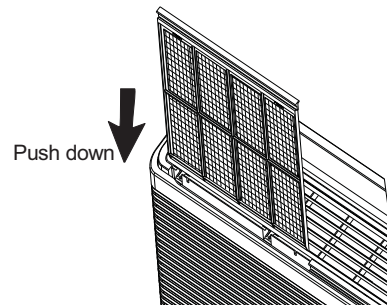
- Vacuum off the heavy soil.
- Run water through the filters from the back side.
- Dry thoroughly before replacing.

**NOTE:** The air filters are interchangeable and will fit in either the right or left side.

### To remove the air filters:



### To replace the air filters:



### NOTICE:

Do not operate the Zoneline without the filters in place. If a filter becomes torn or damaged, it should be replaced immediately.

Operating without the filters in place or with damaged filters will allow dirt and dust to reach the indoor coil and reduce the cooling, heating, airflow and efficiency of the unit.

Replacement filters are available from your salesperson, GE Appliances dealer, GE Appliances Service and Parts Center or authorized Customer Care® servicers.

# REQUIREMENTS FOR OPERATION

## Requirements for Operation, Service and Installation of Appliances Using Flammable Refrigerants

### **⚠ WARNING**

- Do not use means to accelerate the defrosting process or to clean, other than those recommended by the manufacturer.
- The appliance shall be stored in a room without continuously operating ignition sources (for example: open flames, an operating gas appliance or an operating electric heater).
- Do not pierce or burn.
- Be aware that refrigerants may not contain an odor.



Warning; Flammable Materials. A2L refrigerant per ISO 817



Owner's Manual; Operating Instructions



Read Owner's Manual



Service Indicator; Read Technical Manual

### **General**

- Handling, installation, cleaning, servicing and disposal of refrigerant must comply with the local regulation and the instruction.
- Servicing shall be performed only as recommended by the manufacturer.

# REQUIREMENTS FOR OPERATION

## Requirements for Operation, Service and Installation of Appliances Using Flammable Refrigerants

### Qualification of workers

Every working procedure that affects safety means shall only be carried out by competent persons.

**Examples for such working procedures are:**

- breaking into the refrigerating circuit.
- opening of sealed components.

The competent persons are trained by the national training organisations or manufacturers that are accredited to teach the relevant national competency standards that may be set in legislation. The achieved competence should be documented by a certificate.

### Information on servicing

Prior to beginning work on systems containing **FLAMMABLE REFRIGERANTS**, safety checks are necessary to ensure that the risk of ignition is minimised. For repair to the REFRIGERATING SYSTEM, the below requirement shall be completed prior to conducting work on the system:

- Work shall be undertaken under a controlled procedure so as to minimise the risk of a flammable gas or vapour being present while the work is being performed.
- All maintenance staff and others working in the local area shall be instructed on the nature of work being carried out. Work in confined spaces shall be avoided.
- The area shall be checked with an appropriate refrigerant detector prior to and during work, to ensure the technician is aware of potentially toxic or flammable atmospheres. Ensure that the leak detection equipment being used is suitable for use with all applicable refrigerants, i. e. non-sparking, adequately sealed or intrinsically safe.
- If any hot work is to be conducted on the refrigerating equipment or any associated parts, appropriate fire extinguishing equipment shall be available to hand. Have a dry powder or CO2 fire extinguisher adjacent to the charging area.

# REQUIREMENTS FOR OPERATION

## Requirements for Operation, Service and Installation of Appliances Using Flammable Refrigerants

### Information on servicing (cont)

- No person carrying out work in relation to a REFRIGERATING SYSTEM which involves exposing any pipe work shall use any sources of ignition in such a manner that it may lead to the risk of fire or explosion. All possible ignition sources, including cigarette smoking, should be kept sufficiently far away from the site of installation, repairing, removing and disposal, during which refrigerant can possibly be released to the surrounding space. Prior to work taking place, the area around the equipment is to be surveyed to make sure that there are no flammable hazards or ignition risks. “No Smoking” signs shall be displayed.
- Ensure that the area is in the open or that it is adequately ventilated before breaking into the system or conducting any hot work. A degree of ventilation shall continue during the period that the work is carried out. The ventilation should safely disperse any released refrigerant and preferably expel it externally into the atmosphere.
- Where electrical components are being changed, they shall be fit for the purpose and to the correct specification. At all times the manufacturer’s maintenance and service guidelines shall be followed. If in doubt, consult the manufacturer’s technical department for assistance.
- The following checks shall be applied to installations using **FLAMMABLE REFRIGERANTS**:
  - Marking to the equipment continues to be visible and legible. Markings and signs that are illegible shall be corrected.
- Repair and maintenance to electrical components shall include initial safety checks and component inspection procedures. If a fault exists that could compromise safety, then no electrical supply shall be connected to the circuit until it is satisfactorily dealt with. If the fault cannot be corrected immediately but it is necessary to continue operation, an adequate temporary solution shall be used. This shall be reported to the owner of the equipment so all parties are advised.
- Initial safety checks shall include:
  - That capacitors are discharged: this shall be done in a safe manner to avoid possibility of sparking;
  - That no live electrical components and wiring are exposed while charging, recovering or purging the system;
  - That there is continuity of earth bonding.

### Repairs to sealed components, intrinsically safe components

- Sealed electrical components shall be replaced.
- Intrinsically safe components must be replaced.
- Replace components only with parts specified by the manufacturer. Other parts may result in the ignition of refrigerant in the atmosphere from a leak.

### Cabling

Check that cabling will not be subject to wear, corrosion, excessive pressure, vibration, sharp edges or any other adverse environmental effects. The check shall also take into account the effects of aging or continual vibration from sources such as compressors or fans.

# REQUIREMENTS FOR OPERATION

## Requirements for Operation, Service and Installation of Appliances Using Flammable Refrigerants

### Detection of flammable refrigerants

- Under no circumstances shall potential sources of ignition be used in the searching for or detection of refrigerant leaks. A halide torch (or any other detector using a naked flame) shall not be used.
- The following leak detection methods are deemed acceptable for all refrigerant systems.
  - Electronic leak detectors may be used to detect refrigerant leaks but, in the case of **FLAMMABLE REFRIGERANTS**, the sensitivity may not be adequate, or may need re-calibration. (Detection equipment shall be calibrated in a refrigerant-free area.) Ensure that the detector is not a potential source of ignition and is suitable for the refrigerant used. Leak detection equipment shall be set at a percentage of the LFL of the refrigerant and shall be calibrated to the refrigerant employed, and the appropriate percentage of gas (25 % maximum) is confirmed.
  - Leak detection fluids are also suitable for use with most refrigerants but the use of detergents containing chlorine shall be avoided as the chlorine may react with the refrigerant and corrode the copper pipe-work.
- NOTE: Examples of leak detection fluids are:**
  - bubble method,
  - fluorescent method agents.
- If a leak is suspected, all naked flames shall be removed/extinguished.
- If a leakage of refrigerant is found, all of the refrigerant shall be recovered from the system, or isolated (by means of shut off valves) in a part of the system remote from the leak. Removal of refrigerant shall be according to the manual.

### Removal and evacuation

- When breaking into the refrigerant circuit to make repairs – or for any other purpose – conventional procedures shall be used. However, for **FLAMMABLE REFRIGERANTS** it is important that best practice be followed, since flammability is a consideration. The following procedure shall be adhered to:
  - a) safely remove refrigerant following local and national regulations;
  - b) purge the circuit with inert gas;
  - c) open the circuit by cutting.
- A non-sparking, adequately sealed or intrinsically safe vacuum pump shall be used.
- The outlet for the vacuum pump shall not be close to any potential ignition sources, and ventilation shall be available.
- The refrigerant charge shall be recovered into the correct recovery cylinders if venting is not allowed by local and national codes. For appliances containing **FLAMMABLE REFRIGERANTS**, the system shall be purged with oxygen-free nitrogen to render the appliance safe for **FLAMMABLE REFRIGERANTS**. This process might need to be repeated several times.
- Compressed air or oxygen shall not be used for purging refrigerant systems.

### Charging procedures

- In addition to conventional charging procedures, the following requirements shall be followed.
  - Ensure that contamination of different refrigerants does not occur when using charging equipment. Hoses or lines shall be as short as possible to minimise the amount of refrigerant contained in them.
  - Cylinders shall be kept in an appropriate position according to the instructions.
  - Ensure that the **REFRIGERATING SYSTEM** is earthed prior to charging the system with refrigerant.
  - Label the system when charging is complete (if not already).
  - Extreme care shall be taken not to overfill the **REFRIGERATING SYSTEM**.
- Prior to recharging the system, it shall be pressure-tested with the appropriate purging gas. The system shall be leak-tested on completion of charging but prior to commissioning. A follow up leak test shall be carried out prior to leaving the site.

# REQUIREMENTS FOR OPERATION

---

## Requirements for Operation, Service and Installation of Appliances Using Flammable Refrigerants

### Decommissioning

- Before carrying out this procedure, it is essential that the technician is completely familiar with the equipment and all its detail. It is recommended good practice that all refrigerants are recovered safely. Prior to the task being carried out, an oil and refrigerant sample shall be taken in case analysis is required prior to re-use of recovered refrigerant. It is essential that electrical power is available before the task is commenced.
  - a) Become familiar with the equipment and its operation.
  - b) Isolate system electrically.
  - c) Before attempting the procedure, ensure that:
    - mechanical handling equipment is available, if required, for handling refrigerant cylinders;
    - all personal protective equipment is available and being used correctly;
    - the recovery process is supervised at all times by a competent person;
    - recovery equipment and cylinders conform to the appropriate standards.
  - d) Pump down refrigerant system, if possible.
  - e) If a vacuum is not possible, make a manifold so that refrigerant can be removed from various parts of the system.
  - f) Make sure that cylinder is situated on the scales before recovery takes place.
  - g) Start the recovery machine and operate in accordance with instructions.
  - h) Do not overfill cylinders (no more than 80 % volume liquid charge).
  - i) Do not exceed the maximum working pressure of the cylinder, even temporarily.
  - j) When the cylinders have been filled correctly and the process completed, make sure that the cylinders and the equipment are removed from site promptly and all isolation valves on the equipment are closed off.
  - k) Recovered refrigerant shall not be charged into another **REFRIGERATING SYSTEM** unless it has been cleaned and checked.

### Labeling

- Equipment shall be labeled stating that it has been de-commissioned and emptied of refrigerant. The label shall be dated and signed. For appliances containing **FLAMMABLE REFRIGERANTS**, ensure that there are labels on the equipment stating the equipment contains **FLAMMABLE REFRIGERANT**.

# REQUIREMENTS FOR OPERATION

## Requirements for Operation, Service and Installation of Appliances Using Flammable Refrigerants

### Recovery

- When removing refrigerant from a system, either for servicing or decommissioning, it is recommended good practice that all refrigerants are removed safely.
- When transferring refrigerant into cylinders, ensure that only appropriate refrigerant recovery cylinders are employed. Ensure that the correct number of cylinders for holding the total system charge is available. All cylinders to be used are designated for the recovered refrigerant and labelled for that refrigerant (i. e. special cylinders for the recovery of refrigerant). Cylinders shall be complete with pressure-relief valve and associated shut-off valves in good working order. Empty recovery cylinders are evacuated and, if possible, cooled before recovery occurs.
- The recovery equipment shall be in good working order with a set of instructions concerning the equipment that is at hand and shall be suitable for the recovery of all appropriate refrigerants including, when applicable, **FLAMMABLE REFRIGERANTS**. In addition, a set of calibrated weighing scales shall be available and in good working order. Hoses shall be complete with leak-free disconnect couplings and in good condition. Before using the recovery machine, check that it is in satisfactory working order, has been properly maintained and that any associated electrical components are sealed to prevent ignition in the event of a refrigerant release. Consult manufacturer if in doubt.
- The recovered refrigerant shall be processed according to local legislation in the correct recovery cylinder, and the relevant waste transfer note arranged. Do not mix refrigerants in recovery units and especially not in cylinders.
- If compressors or compressor oils are to be removed, ensure that they have been evacuated to an acceptable level to make certain that **FLAMMABLE REFRIGERANT** does not remain within the lubricant. The compressor body shall not be heated by an open flame or other ignition sources to accelerate this process. When oil is drained from a system, it shall be carried out safely.

# Installation Instructions

Questions? Call **844-GE4-PTAC** (844-434-7822) or Visit our Website at: **GEAppliances.com**

## BEFORE YOU BEGIN

Read these instructions completely and carefully.

- **IMPORTANT** – Save these instructions for local inspector's use.
- **IMPORTANT** – Observe all governing codes and ordinances.
- **Note to Installer** – Be sure to leave these instructions with the owner.
- **Note to Owner** – Keep these instructions for future reference.
- Proper installation is the responsibility of the installer.
- Product failure due to improper installation is not covered under the Warranty.
- You must use all supplied parts and use proper installation procedures as described in these instructions when installing this air conditioner.

## AIR CONDITIONER BREAK-IN PERIOD

**NOTE** – As with any mechanical device with moving parts, this unit will have a wear-in period. **AFTER INSTALLATION**, this unit should be operated for 48 hours to achieve optimum efficiency.

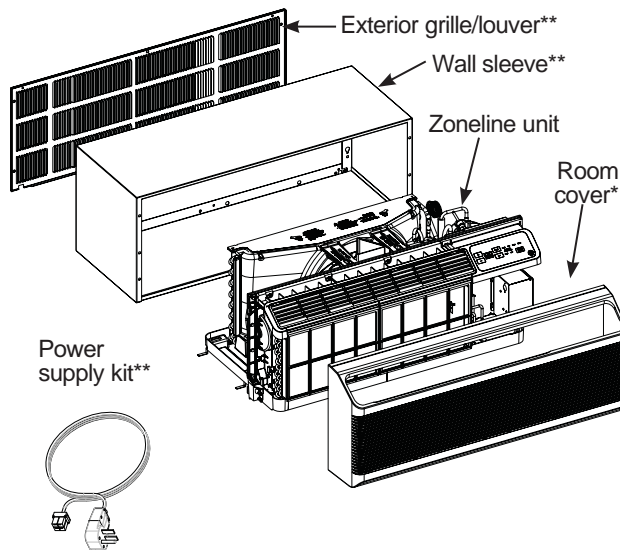
## TOOLS YOU WILL NEED



Phillips screwdriver or  
5/16" Nut driver

## ZONELINE COMPONENTS

Appearance may vary.



\* Shipped with the Zoneline unit

\*\* Check the "Essential Elements" list on the unit located on front of the base pan

## IMPORTANT ELECTRICAL SAFETY

### ⚠ CAUTION READ CAREFULLY

- Follow the National Electrical Code (NEC) or local codes and ordinances.
- For personal safety, this Zoneline must be properly grounded.
- Protective devices (fuses or circuit breakers) acceptable for Zoneline installations are specified on the nameplate of each unit.
- Do not use an extension cord with this unit.
- Aluminum building wiring may present special problems—consult a qualified electrician.
- When the unit is in the OFF position, there is still voltage to the electrical controls.
- Disconnect the power to the unit before servicing by:
  1. Removing the power cord (if it has one) from the wall receptacle. OR
  2. Removing the branch circuit fuses or turning the circuit breakers off at the panel.

### ⚠ ATTENTION

- Suivez le Code national de l'électricité (CNE) ou vos ordonnances et codes locaux.
- Pour votre sécurité personnelle, ce Zoneline doit être bien mis à la terre.
- Les appareils protecteurs (fusibles ou disjoncteurs) acceptables pour installer votre Zoneline sont indiqués sur la plaque signalétique de chaque appareil.
- N'utilisez jamais de rallonge électrique avec cet appareil.
- Les fils de bâtiment en aluminium peuvent poser des problèmes particuliers—consultez un électricien qualifié.
- Quand votre appareil est en position OFF (arrêt), il reste de la tension dans les commandes électriques.
- Débranchez le courant de votre appareil avant de l'entretenir ou de le réparer en:
  1. Enlevant le cordon d'alimentation (le cas échéant) de la prise murale. OU
  2. Enlevant les fusibles du circuit de dérivation ou en débranchant les disjoncteurs de dérivation au panneau.

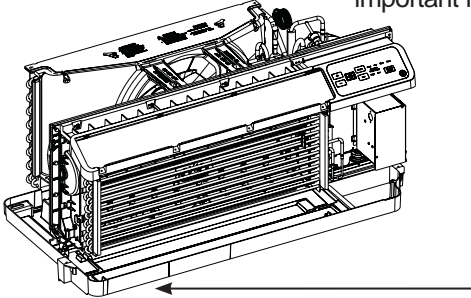
### ⚠ PRECAUCIÓN

- Siga las instrucciones del National Electrical Code (Código de Electricidad Nacional) (NEC) o los códigos u ordenanzas locales.
- Para su seguridad personal, el acondicionador de aire Zoneline debe tener una adecuada conexión a tierra.
- Los dispositivos de protección (fusibles o disyuntores) adecuados para las instalaciones de Zoneline se encuentran especificados en la placa de cada unidad.
- No utilice un cable de extensión con esta unidad.
- El cableado de aluminio puede presentar problemas especiales: consulte a un electricista calificado.
- Cuando la unidad se encuentra en la posición OFF (apagado), todavía hay voltaje en los controles eléctricos.
- Antes de realizar reparaciones en la unidad, desconecte el suministro de energía de la siguiente manera:
  - 1 Retire el cable eléctrico (si posee uno) del receptáculo de la pared. O
  - 2 Retire los fusibles de la sección o apague el disyuntor desde el panel.



## REPLACING AN EXISTING UNIT

Check the "Essential Elements" label for important information.



### Use the correct wall sleeve

This unit is designed to be installed in a GE Appliances plastic or insulated metal wall sleeve. This minimizes condensation from forming on the room side of the case.

**NOTE:** There are several extra holes in the unit side flanges for installation in wall sleeves other than GE Appliances. To avoid damaging the flange insulation, the installer should use an awl or other sharp tool to puncture the insulation in the appropriate holes before installing the attachment screws.

### Use the correct outdoor grille

You should use the outdoor grilles shown on the "Essential Elements" label on the base pan.

- If an existing grille is not replaced, capacity and efficiency will be reduced and the unit may fail to operate properly or fail prematurely. A deflector kit, RAK40, may be used with grilles that were not designed for your new GE Appliances Zonelines. The RAK40 contains air deflectors and gaskets that mount to the unit to direct the hot exhaust air away from the air intake to allow the unit to function properly. **The grille must have a 65% minimum free area (as calculated by ASHRAE).** See the Architects and Engineers Data Manual for more detailed information.
- Any vertical deflectors in a non GE Appliances existing rear grille should be removed to decrease condenser air recirculation that can cause the unit to "short-cycle" and lead to premature component failure.

### Use the correct power cord

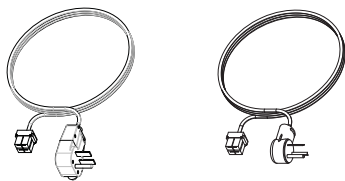
Codes require the use of arc fault or leakage current detection devices on 230/208-volt installations.

# Installation Instructions

## 230/208 VOLT ELECTRICAL CONNECTION OPTIONS

### POWER CORD CONNECTION

Depending on application, a power supply kit with LCDI must be used to supply power to the Zoneline unit. The appropriate kit is determined by the voltage, the means of electrical connection and the amperage of the branch circuit.



Power supply kit  
(Appearance may vary)

Connections of 208 or 230-volt circuits may be with a power supply kit or a junction box kit.

All wiring, including installation of the receptacle, must be in accordance with the NEC and local codes, ordinances and regulations. Codes require the use of an arc fault or leakage current detection device on the power cord except direct connect. Be sure to select the correct cord for your installation.



**Tandem**  
15 Amp



**Perpendicular**  
20 Amp



**Large Tandem**  
30 Amp

230/208 volt receptacle configuration

Branch Circuit and Unit Amperage Rating	Proper GE Appliances Power Cord with LCDI Device
15	RAK315P
20	RAK320P
30	RAK330P

Power cords may include an arc fault interruption or a leakage current detection interruption device. A test and reset button is provided on the plug case or the inline case. The device should be tested on a periodic basis by first pressing the **TEST** button and then the **RESET** button. If the **TEST** button does not trip or if the **RESET** button will not stay engaged, discontinue use of the Zoneline and contact a qualified service technician.

### ELECTRICAL SUBBASE CONNECTION

230/208-volt models may be installed using one of the following electrical subbases:

Branch Circuit and Unit Amperage Rating	Proper GE Appliances Subbase Kit
15	RAK204D15C
20	RAK204D20C
30	RAK204D30C

Electrical subbases provide an enclosure for direct connection or enclosed receptacles. The subbase kit includes the power cord.

The instructions provided with the selected subbase kit must be carefully followed. It is the responsibility of the installer to ensure the connection of components is done in accordance with these instructions and all electrical codes.

When using a sub-base electrical connection, the **RAK4002D Junction Box** is required for a complete and proper installation.

### DIRECT CONNECTION

Order one of the following Kits for 230/208-volt direct connection as required:

Branch Circuit and Unit Amperage Rating	Power Supply Kit
15	RAK315D
20	RAK320D
30	RAK330D

Review installation instructions provided with direct connect kits for detailed assembly instructions.

When using a direct connection, the **RAK4002D Junction Box** is required for a complete and proper installation.

## 265 VOLT ELECTRICAL CONNECTION OPTIONS

### ⚠ WARNING

Connection of this 265 V AC product to a branch circuit **MUST** be done by direct connection in accordance with the National Electrical Code. Plugging this unit into a building-mounted exposed receptacle is not permitted by code. These models must be installed using the appropriate GE Appliances power supply kit for the branch circuit amperage and the electrical resistance heater wattage desired. Use the POWER CONNECTION CHART on page 21 to determine the correct kit required. One of the following installation methods must be used:

### ⚠ AVERTISSEMENT

Vous DEVEZ brancher ce produit alimenté par courant alternatif de 265 volts au circuit de dérivation par branchement direct conformément au Code national d'électricité. Le Code n'autorise pas le branchement en direct d'un appareil à une prise exposée montée sur le bâtiment. Vous devez installer ces modèles à l'aide de la bonne trousse d'alimentation électrique GE Appliances pour l'ampérage du circuit de dérivation et la puissance du chauffage à résistance électrique désirée. Utilisez le Tableau de contact électrique, page 21, pour déterminer la bonne trousse requise. Vous devez utiliser l'une des méthodes suivantes d'installation.

### ⚠ ADVERTENCIA

La conexión de este producto de 265 voltios de CA a un circuito derivado DEBE realizarse mediante una conexión directa de acuerdo a las indicaciones del NEC. El código no permite enchufar esta unidad a una caja externa. Estos modelos deben instalarse utilizando el kit de GE Appliances de suministro de energía adecuado para el amperaje de circuito derivado y el vatiaje deseado para el calefactor de resistencia eléctrica. Utilice la TABLA DE CONEXIONES ELÉCTRICAS en la página 21 para determinar cuál es el kit necesario. Debe utilizarse uno de los siguientes métodos de instalación.

### A. FOR SUBBASE INSTALLATION

Electrical subbase kits are available to provide a flexible enclosure for direct connection.

Branch Circuit and Unit Amperage Rating	Proper GE Appliances Subbase Kit
15	RAK204E15C
20	RAK204E20C
30	RAK204E30C

The instructions provided with the selected subbase kit must be carefully followed. The subbase kit includes the power connection kit. It is the responsibility of the installer to ensure the connection of components is done in accordance with these instructions and all electrical codes.

### B. FOR DIRECT CONNECT INSTALLATION

- If an electrical subbase is not used, direct connection to branch circuit wiring inside the provided junction box must be done in accordance with the following steps.
- Order the following Kit for 265-volt direct connection as required:

Branch Circuit and Unit Amperage Rating	Power Supply Kit
15	RAK515D
20	RAK520D
30	RAK530D

- Review installation instructions provided with power cord or direct connect kits for detailed assembly instructions.

#### External Disconnect for units not fitted with a Supply Cord and Plug

There shall be disconnecting means from the electrical supply located with line of sight of the air conditioner's room front. The disconnecting means shall be readily accessible while air conditioner is installed in the wall sleeve. The disconnect shall not obscure the rating plate. A properly rated field supplied switch is a common means for electrical disconnection.

# Installation Instructions

## POWER CONNECTION CHART

### Power Cord Connections

230/208 Volt Power Supply Kits with Current Leakage Detection Device (1)	Wall Plug Configuration	Circuit Protective Device	Heater Wattage @ 230/208 Volts
RAK315P/SP RAK320P/SP RAK330P/SP	Tandem Perpendicular Large Tandem	15-Amp Time-Delay Fuse or Breaker 20-Amp Time-Delay Fuse or Breaker 30-Amp Time-Delay Fuse or Breaker	2.40/1.96 KW 3.40/2.78 KW 4.80/3.93 KW (High Fan) 3.80/3.11 KW (Low Fan)

### Direct Connections

230/208 Volt Power Supply Kits (2)	Circuit Protective Device	Heater Wattage @ 230/208 Volts
RAK315D RAK320D RAK330D	15-Amp Time-Delay Fuse or Breaker 20-Amp Time-Delay Fuse or Breaker 30-Amp Time-Delay Fuse or Breaker	2.40/1.96 KW 3.40/2.78 KW 4.80/3.93 KW (High Fan) 3.80/3.11 KW (Low Fan)

265 Volt Power Supply Kits (3)	Circuit Protective Device	Heater Wattage @ 265 Volts
RAK515D RAK520D RAK530D	15-Amp Time-Delay Fuse or Breaker 20-Amp Time-Delay Fuse or Breaker 30-Amp Time-Delay Fuse or Breaker	2.40 KW 3.40 KW 4.80 KW (High Fan) 3.8 KW (Low Fan)

- (1) Kits ending in SP do not have an LCDI device are therefore can only be used in a sub-base. A junction box (purchased separately) is required with SP kits.
- (2) A junction box (purchased separately) is required with these kits.
- (3) The required junction box comes pre-installed on the chassis.

## INSTALLING THE ZONELINE

### 1. INSTALL THE WALL SLEEVE AND EXTERIOR GRILLE

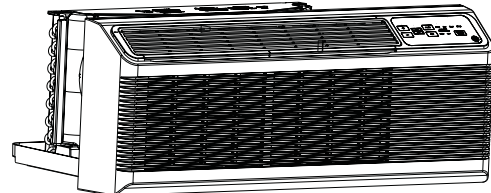
The RAB 81/81B series or RAB78 wall sleeve must be properly installed per instructions packed with the sleeve.

- Assemble the wall sleeve as detailed in the instructions packed with it. Ensure all pieces are properly snapped together.
- Attach the outdoor panel to the rear of the assembly to help close off the building from the elements.
- Install, secure and caulk the sleeve.
- When the chassis is ready to be installed, remove the outdoor panel and then install and secure the grille prior to installing the chassis.
- Install the exterior grille from the room side following instructions packed with the grille.

**NOTE:** For installation with a subbase or duct adapter, see the instructions packed with those kits.

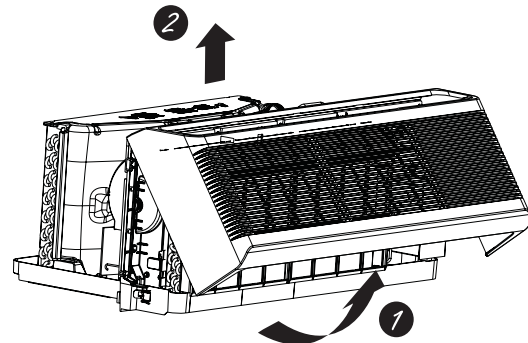
### 2. PREPARE THE UNIT

- Carefully remove the foam shipping blocks from the room front, compressor and outdoor fan. There may be multiple blocks and pieces of shipping tape that need to be removed.

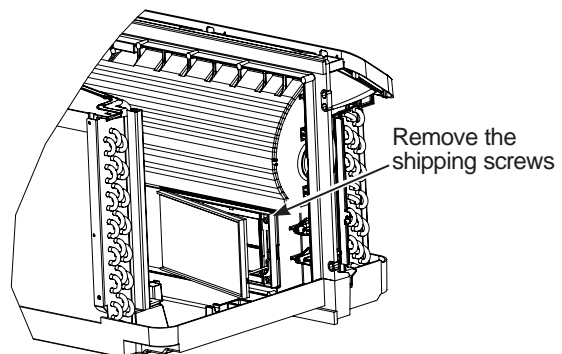


Shipping tape  
(Locations may vary)

- Remove the room cover by pulling it out at the bottom to release it (1); then lift it up to clear the rail along the unit top (2).



- Remove shipping screws from the front side of the vent door, if present.



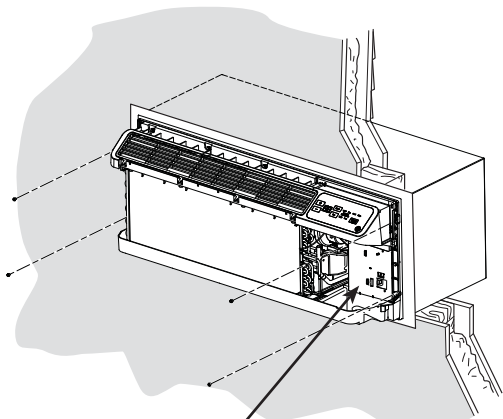
# Installation Instructions

## INSTALLING THE ZONELINE (cont.)

### 3. INSTALL THE UNIT INTO THE WALL SLEEVE

Slide the unit into the wall sleeve and secure with four screws through the unit flange holes.

The four screws will be located in a sealed bag that sits under the control panel, sitting in the pocket in the base pan.

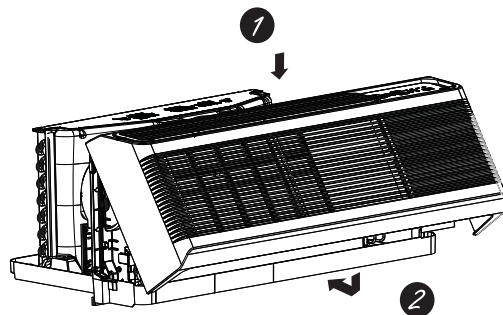


The four wall sleeve screws will be taped to the pocket in front of the control box.

**NOTE:** There are several extra holes in the unit side flanges for installation in wall sleeves other than GE Appliances. To avoid damaging the flange insulation, the installer should use an awl or other sharp tool to puncture the insulation in the appropriate holes before installing the attachment screws.

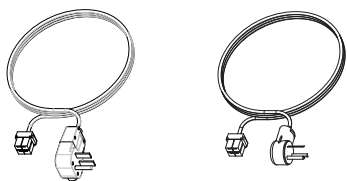
### 5. REPLACE THE ROOM FRONT

Reinstall the room cover by aligning and placing the top rail of the room cover over the chassis (1), then pushing it in at the bottom (2).



### 4. CONNECT POWER CORD OR DIRECT CONNECT KIT

Review installation instructions provided with power cord or direct connect kits for detailed assembly instructions.



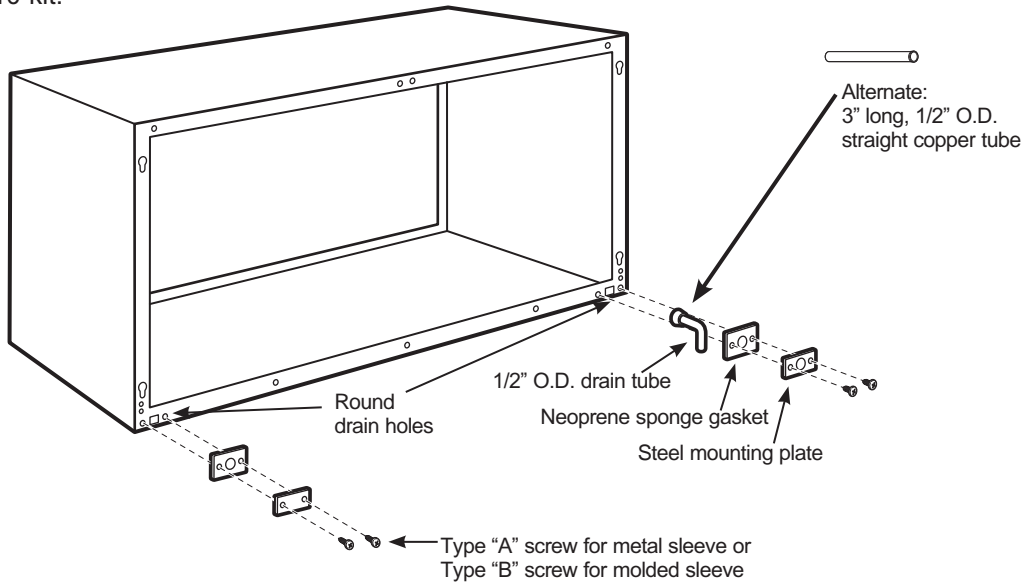
Power supply kit  
(Appearance may vary)

# Installation Instructions

## OPTIONAL—DRAIN KIT INSTALLATION

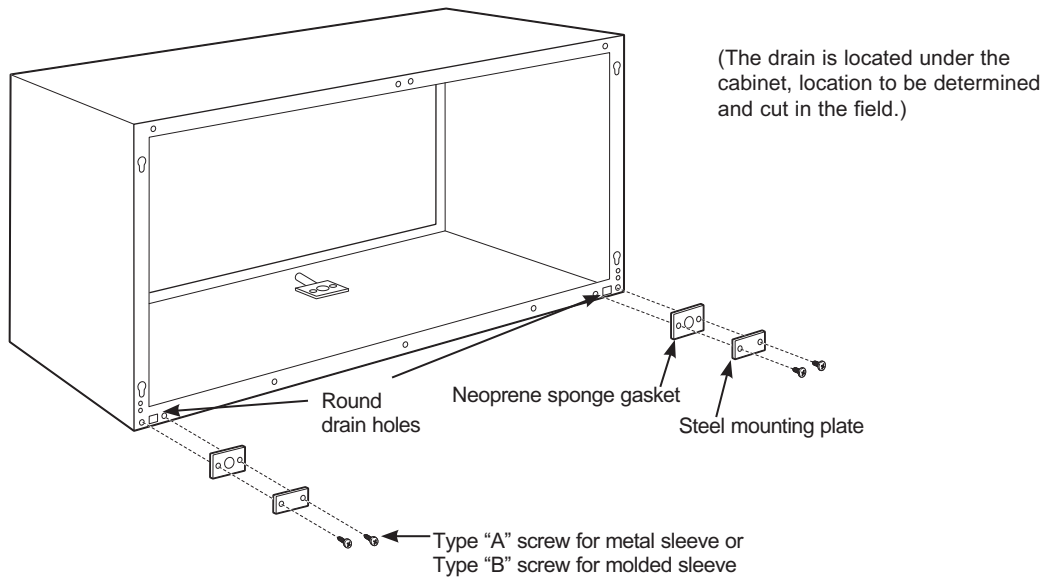
### External Drain

See the Installation Instructions in the RAD10 kit.



### Internal Drain

See the Installation Instructions in the RAD10 kit.



## Troubleshooting Tips... Before you call for service

Save time and money! Review the charts on the following pages first and you may not need to call for service.

<b>Problem</b>	<b>Possible Cause</b>	<b>What To Do</b>
<b>Zonline does not start.</b>	<b>The unit is unplugged.</b>	Make sure the Zonline plug is pushed completely into the outlet.
	<b>The power cord is not firmly attached.</b>	Remove the room cover and make sure that the black connector on the end of the power cord is firmly engaged.
	<b>The fuse is blown/circuit breaker is tripped.</b>	Check the house fuse/circuit breaker box and replace the fuse or reset the breaker.
	<b>The unit is waiting for the compressor overload protector to reset.</b>	This is normal. The Zonline will start again after it resets.
	<b>Power Failure.</b>	There is a protective time delay (up to 3 minutes) to prevent tripping of the compressor overload. For this reason, the unit may not start normal heating or cooling for 3 minutes after it is turned back on.
	<b>The power cord current interrupter device is tripped.</b>	Press the RESET button located on the power cord plug or the box near the plug.  If the RESET button will not stay engaged, discontinue use of the Zonline and contract a qualified service technician.
<b>Zonline does not cool or heat as it should.</b>	<b>Indoor airflow is restricted.</b>	Make sure there are not curtains, blinds or furniture blocking the front of the Zonline.
	<b>Outdoor airflow is restricted or recirculated.</b>	Make sure the rear grille is not restricted. This can cause the unit to cycle off due to the compressor overload protector.  Outdoor grille must have a minimum of 65% free area. Non-GE Appliances grills may be too restrictive for proper performance. Consult your salesperson for assistance.
	<b>The temp control may not be set properly.</b>	Turn the control to the lower or higher setting. <b>NOTE:</b> The temperature limiting feature may be restricting the temperature range.
	<b>The air filter is dirty.</b>	Clean or change the filter at least every 30 days. See the Care and Cleaning section
	<b>Outdoor air is entering the room.</b>	Set the vent control to the closed position. <b>NOTE:</b> Units equipped with makeup ventilation will continuously allow some outdoor air into the room.
<b>Burning odor at the start of heating operation.</b>	<b>Dust on the surface of the heating elements.</b>	This can cause a "burning" odor at the beginning of the heating operation. This should quickly fade.



# Troubleshooting Tips... Before you call for service

Save time and money! Review the charts on the following pages first and you may not need to call for service.

Problem	Possible Cause	What To Do
The air is not always cool or hot during operation.	The heat pump is not producing hot air.	This is normal. The heat pump will produce warm air but not as hot as air produced when the higher-cost electric heat is used.
	The Smart Fan Auxiliary control may be set to continuous fan.	This causes the fan to blow room temperature air even when the compressor or heater cycles off. The continuous air movement provides better overall temperature control in the cool mode. See Smart Fan-Cooling/Heating section on page 8.
The air does not feel warm enough during heating operation	The heat pump alone produces air that feels cooler than desired.	Use the Electric Heat Option. This turns off the heat pump and warms with electric heat only. <b>NOTE:</b> Use of this option will result in increased energy consumption.
The unit is not blowing out air	The Smart Fan Auxiliary Controls may be set to cycle.	See Smart Fan - Cooling/Heating section on page 8.
The electric heating and fan features do not work	The power cord is not firmly attached.	Remove the room cover and make sure that the black connector on the end of the power cord is firmly engaged.
Temperature display flashes	The control panel is locked.	Press and hold the DISPLAY Show/Hide button for 10+ seconds to unlock the display. See Control Lock Out section on page 6.
The unit does not function after installing Remote Wall Thermostat	Aux Mode 6 not set properly.	Check Aux Mode 6 to be sure switch on "on" for Remote Thermostat, see page 10.
	Unit thermostat connections are incorrect.	Verify wiring from Remote Wall Thermostat is correct to unit thermostat connector.
	Low voltage transformer resets or opens with short.	To reset the low voltage transformer: unplug the unit from power, wait ~ 5 minutes, then replug in the unit.
Heat pump operates with electric heat only during heating.	Aux Mode 8 not set properly.	Make sure AUX Mode 8 is not set to "EH" for electric heat only.

## Things that are normal

### Normal Operating Sounds

- You may hear a pinging noise caused by water being picked up and thrown against the condenser on rainy days or when the humidity is high. This design feature helps remove moisture and improve efficiency.
- You may hear relays click when the controls cycle on and off or are adjusted to change the room temperature.
- Water will collect in the base pan during high humidity or on rainy days. The water may overflow and drip from the outdoor side of the unit.
- The indoor fan runs continuously when the unit is operating in the cooling mode, unless the Smart Fan Auxiliary Control is set to cycle. The cycle selection will cause the fan to cycle on and off with the compressor. You may also hear a fan noise stop and start.
- There are times when the fan on the unit will run even when the unit is not heating or cooling. If the system is set up to be in continuous fan the indoor fan will run regardless if the unit may be cooling or heating. Other times the fan will run longer than the heating/cooling cycle or kick on occasionally. This is normal and is done to improve room comfort and balance.
- If the unit is equipped with a make-up air ventilation system, some fans will run continuously.
- You may notice a few minutes delay in starting if you try to restart the Zoneline too soon after turning it off or if you adjust the thermostat right after the compressor has shut off. This is due to a built-in restart protector for the compressor that causes a 3-minute delay.
- During the defrost cycle, both the indoor and outdoor fans stop and the compressor operates in the cooling mode to remove frost from the outdoor coil.
- To protect the compressor and prevent short cycling, the unit is designed to run for a minimum of 3 minutes after the compressor starts at any thermostat setting.

# GE Appliances Zonline Warranty

All warranty service provided by our Factory Service Centers or an authorized Customer Care<sup>®</sup> technician. To schedule service, on-line, visit us at [GEAppliances.com](http://GEAppliances.com), or call 844-GE4-PTAC (or 844-434-7822). For service in Canada, contact your local HVAC contractor. Please have serial number and model number available when calling for service.

For The Period Of:	GE Will Replace:
<b>One Year</b> From the date of the original purchase	<b>Any part</b> of the air conditioner which fails due to a defect in materials or workmanship. During this <b>limited one-year warranty</b> , GE will provide, <b>free of charge</b> , all labor and related service cost to replace the defective part.
<b>Five Year</b> From the date of the original purchase	<b>Sealed Refrigerating System, if any part of the sealed refrigerating system</b> (the compressor, condenser, evaporator and all connecting tubing including the make up air system) should fail due to a defect in materials or workmanship. During this <b>limited five-year warranty</b> , GE will provide, <b>free of charge</b> , all labor and related service cost to replace the defective part.
<b>Second through Fifth Year</b> From the date of the original purchase	<b>Fan Motors, Switches, Thermostat, Heater, Heater Protectors, Compressor Overload, Solenoids, Circuit Boards, Auxiliary Controls, Thermistors, Freeze Sentinel, Frost Controls, ICR Pump, Capacitors, Varistors and Indoor Blower Bearings</b> , if any of these parts should fail due to a defect in materials or workmanship. During this <b>additional four-year limited warranty</b> , the customer will be responsible for any labor and related service costs.

## What GE Will Not Cover:

- **Service trips to your site to teach you how to use the product.**
- **Improper installation, delivery or maintenance.**  
If you have an installation problem, or if the air conditioner is of improper cooling capacity for the intended use, contact your dealer or installer. You are responsible for providing adequate electrical connecting facilities.
- **In commercial locations, labor necessary to move the unit to a location where it is accessible for service by an individual technician.**
- **Failure or damage resulting from corrosion due to installation in an environment containing corrosive chemicals.**
- **Replacement of fuses or resetting of circuit breakers.**
- **Failure of the product resulting from modifications to the product or due to unreasonable use, including failure to provide reasonable and necessary maintenance.**
- **Failure or damage resulting from corrosion due to installation in a coastal environment, except for models treated with special factory-applied anti-corrosion protection as designated in the model number.**
- **Damage to product caused by improper power supply voltage, accident, fire, floods or acts of God.**
- **Incidental or consequential damage to personal property caused by possible defects with this air conditioner.**
- **Damage caused after delivery.**
- **Product not accessible to provide required service.**

**EXCLUSION OF IMPLIED WARRANTIES—Your sole and exclusive remedy is product repair as provided in this Limited Warranty. Any implied warranties, including the implied warranties of merchantability or fitness for a particular purpose, are limited to one year or the shortest period allowed by law.**

This warranty is extended to the original purchaser and any succeeding owner for products purchased for use within the USA and Canada. If the product is located in an area where service by a GE Appliances Authorized Servicer is not available, you may be responsible for a trip charge or you may be required to bring the product to an Authorized GE Appliances Service location for service. In Alaska, the warranty excludes the cost of shipping or service calls to your site.

Some states or provinces do not allow the exclusion or limitation of incidental or consequential damages. This warranty gives you specific legal rights, and you may also have other rights which vary from state to state or province to province. To know what your legal rights are, consult your local, state or provincial consumer affairs office or your state's Attorney General.

**Warrantor: GE Appliances, a Haier company**

Staple your receipt here. Proof of the original purchase date is needed to obtain service under the warranty.

# Consumer Support

---

## GE Appliances Website

Have a question or need assistance with your appliance? Try the GE Appliances Website 24 hours a day, any day of the year! You can also shop for more great GE Appliances products and take advantage of all our on-line support services designed for your convenience. In the US: [GEAppliances.com](http://GEAppliances.com)

---

## Register Your Appliance

Register your new appliance on-line at your convenience! Timely product registration will allow for enhanced communication and prompt service under the terms of your warranty, should the need arise. You may also mail in the pre-printed registration card included in the packing material. In the US: [GEAppliances.com/register](http://GEAppliances.com/register)

---

## Schedule Service

Expert GE Appliances repair service is only one step away from your door. Get on-line and schedule your service at your convenience any day of the year. In the US: [GEAppliances.com/ge/service-and-support/service.htm](http://GEAppliances.com/ge/service-and-support/service.htm) or call 844.GE4.PTAC (844.434.7822) during normal business hours. For service in Canada, contact your local HVAC contractor.

---

## Extended Warranties

Purchase a GE Appliances extended warranty and learn about special discounts that are available while your warranty is still in effect. You can purchase it on-line anytime. GE Appliances Services will still be there after your warranty expires. In the US: [GEAppliances.com/ge/service-and-support/shop-for-extended-service-plans.htm](http://GEAppliances.com/ge/service-and-support/shop-for-extended-service-plans.htm) or call 800.626.2224 during normal business hours.

---

## Remote Connectivity

For assistance with wireless network connectivity (for models with remote enable), visit our website at [GEAppliances.com/ge/connected-appliances/](http://GEAppliances.com/ge/connected-appliances/) or call 800.220.6899 in the US.

---

## Parts and Accessories

Individuals qualified to service their own appliances can have parts or accessories sent directly to their homes (VISA, MasterCard and Discover cards are accepted). Order on-line today 24 hours every day. In the US: [GEApplianceparts.com](http://GEApplianceparts.com) or by phone at 877.959.8688 during normal business hours.

**Instructions contained in this manual cover procedures to be performed by any user. Other servicing generally should be referred to qualified service personnel. Caution must be exercised, since improper servicing may cause unsafe operation.**

---

## Contact Us

If you are not satisfied with the service you receive from GE Appliances, contact us on our Website with all the details including your phone number, or write to:

In the US: General Manager, Customer Relations | GE Appliances, Appliance Park | Louisville, KY 40225  
[GEAppliances.com/ge/service-and-support/contact.htm](http://GEAppliances.com/ge/service-and-support/contact.htm)



# Zoneline® CLIMATISEUR

## INFORMATION DE SÉCURITÉ...3

## UTILISATION DU ZONELINE

Panneau de commande.....4  
 Retrait du couvercle côté pièce.....5  
 Direction du flux d'air.....5  
 Commande de la ventilation.....5  
 Commandes auxiliaires.....6  
 Thermostat distant.....11  
 Paramètres WI-FI (AZV seulement).....13

## ENTRETIEN ET NETTOYAGE

Couvercle côté pièce et boîtier.....14  
 Serpentins extérieurs.....14  
 Plateau de fond.....14  
 Filtre des événements de ventilation.....14  
 Filtres à air.....15

## CONDITIONS DE FONCTIONNEMENT.....16

## INSTRUCTIONS D'INSTALLATION

Avant de commencer.....22  
 Remplacement d'un appareil existant...23  
 Raccordement électrique.....24  
 Installation du zoneline.....27  
 Trousse de drainage en option.....29

## CONSEILS DE DÉPANNAGE...30

Bruits de fonctionnement normaux.....32

## SOUTIEN AU CONSOMMATEUR

Garantie.....33  
 Soutien au consommateur.....34

## MANUEL D'UTILISATION

- AZE
- AZH
- AZV

Inscrivez les numéros de modèle et de série ici :

No modèle \_\_\_\_\_

No série \_\_\_\_\_

Ces numéros figurent sur une étiquette dans le haut de la doublure interne vers le devant de l'appareil.

## **NOUS VOUS REMERCIONS D'ACCUEILLIR GE APPLIANCES CHEZ VOUS**

---

Que vous ayez grandi avec GE Appliances ou qu'il s'agisse de votre première acquisition, nous sommes heureux de vous accueillir dans notre famille.

Nous sommes fiers du savoir-faire, de l'innovation et de l'esthétique qui composent chaque appareil GE Appliances, et nous pensons que vous le serez aussi. Dans cette optique, nous vous rappelons que l'enregistrement de votre électroménager vous assure la communication de renseignements importants sur le produit et la garantie lorsque vous en avez besoin.

Enregistrez votre électroménager GE en ligne dès maintenant. Des sites Web et des numéros de téléphone utiles figurent dans la section Soutien au consommateur de ce manuel d'utilisation.

Vous pouvez aussi poster la fiche de garantie préimprimée incluse dans l'emballage.



**GE APPLIANCES**

# CONSIGNES DE SÉCURITÉ IMPORTANTES

## LISEZ TOUTES LES INSTRUCTIONS AVANT L'UTILISATION



Pour votre sécurité, veuillez observer les consignes de ce manuel afin de réduire le risque d'incendie, d'explosion, de choc électrique, de dommages à la propriété ou de blessures, graves ou fatales.

### MESURES DE SÉCURITÉ

- Avant son utilisation, ce climatiseur Zoneline doit être installé correctement en conformité avec les instructions d'installation. Consultez les instructions d'installation au dos de ce manuel.
- Remplacez immédiatement tous les cordons électriques usés ou autrement endommagés. Un cordon électrique endommagé ne doit pas être réparé, il doit être remplacé par un cordon neuf acquis auprès du fabricant. N'utilisez pas un cordon qui présente des fissures ou des marques d'abrasion sur sa longueur, sa fiche ou sa connexion.
- Débranchez le climatiseur Zoneline ou coupez le courant à la boîte de fusibles ou au disjoncteur avant d'effectuer une réparation.

**REMARQUE:** Nous recommandons vivement que les réparations soient effectuées par une personne qualifiée en la matière.

- Les outils, les équipements et les normes de sécurité utilisés par les entrepreneurs et les techniciens doivent être approuvés en fonction du fluide frigorigène dont le système de climatisation R454B du Zoneline est équipé. **N'UTILISEZ PAS d'équipements certifiés relativement au fluide frigorigène R22 seulement.**
- Cet appareil ne doit pas être installé dans une salle de lavage.
- Les enfants doivent être surveillés pour s'assurer qu'ils ne jouent pas avec l'appareil.
- Les appareils qui sont manifestement endommagés ne doivent pas être utilisés.
- Pour les modèles de climatiseur terminal monobloc à onduleur (AZV), attendez 10 minutes après avoir débranché l'appareil de l'alimentation avant de nettoyer le filtre du panneau d'évent et de manipuler ou entretenir la carte de circuit imprimé de l'onduleur.

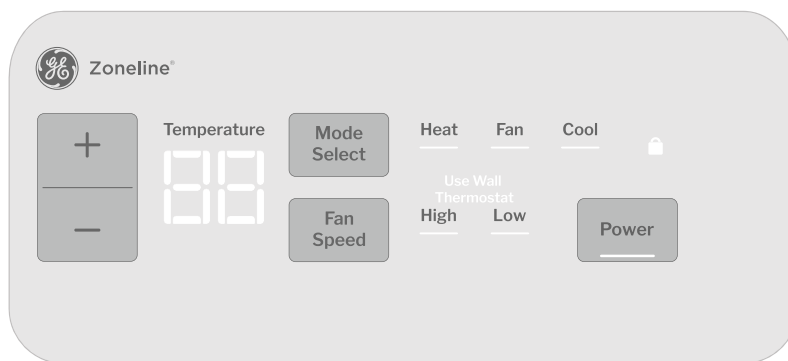
#### **Vous remplacez un climatiseur existant?**

Pour de plus amples renseignements, veuillez consulter les instructions d'installation de ce manuel.

Cet appareil n'est pas destiné à être utilisé par des personnes (y compris des enfants) dont les capacités physiques, sensorielles ou mentales sont réduites, ou dont l'expérience et les connaissances sont insuffisantes, à moins qu'elles ne soient surveillées ou instruites de l'utilisation de l'appareil par une personne responsable de leur sécurité.

## LIRE ET CONSERVER CES INSTRUCTIONS

## Panneau de commande



### Panneau de commande

La commande de température sert à maintenir la température ambiante. Le système s'allumera et s'éteindra en alternance pour garder la température ambiante au même degré de confort.

Appuyez sur la touche + pour élever la température.

Appuyez sur la touche – pour baisser la température.

**REMARQUE** : L'afficheur indique le réglage de température et non la température ambiante.

### Commandes du ventilateur, du mode et du fonctionnement

**FAN (Ventilateur)** : Règle le fonctionnement du ventilateur à la vitesse **HIGH** (Haute) ou **LOW** (Basse).

**MODE – COOL (Froid)** : Pour refroidir.

**FAN (Ventilateur)** : Pour faire fonctionner le ventilateur seulement.

**HEAT (Chaleur)** : Pour réchauffer.

**POWER (mise en marche/arrêt)** : Permet d'éteindre et de rallumer l'appareil. L'alimentation reste connectée à la Zoneline. Les fonctions Freeze/Heat Sentinel (sentinelle gel/chaleur), Constant Fan (ventilateur constant) et Defrost Sentinel (sentinelle dégivrage) fonctionnent toujours si elles ont été activées. Reportez-vous à la section sentinelle gel/chaleur à la page 9.

**USE WALL THERMOSTAT** (Utiliser le thermostat mural) : Ce voyant s'allume lorsque l'appareil est contrôlé par le thermostat mural. Voir la page 8 pour les détails.

### Verrouillage du panneau de commande

Le panneau de commande peut être verrouillé pour empêcher les utilisateurs de changer le mode de fonctionnement de l'unité.

Lorsque l'unité est dans le mode de fonctionnement désiré, maintenez enfoncés les boutons MODE et POWER durant 3 secondes, puis RELÂCHEZ-LES pour verrouiller le panneau de commande et le réglage désiré.

Une fois verrouillé, le voyant de verrouillage s'allume.

Pour déverrouiller la fonction de verrouillage des commandes et reprendre le fonctionnement normal, maintenez enfoncés les boutons MODE et POWER durant 3 secondes, puis RELÂCHEZ-LES.

### Au sujet de votre thermopompe (AZH et AZV seulement)

Les thermopompes vous font économiser de l'argent en capturant la chaleur de l'air extérieur – même lorsque la température extérieure est sous le point de congélation – pour la libérer à l'intérieur.

Pour obtenir le meilleur rendement énergétique de votre thermopompe, ne modifiez pas le réglage du thermostat de la pièce de plus d'un degré à la fois. Augmenter la température de 2 ou 3 degrés obligera le Zoneline à utiliser ses éléments chauffants afin d'atteindre rapidement la température réglée.

Les éléments chauffants utilisent davantage d'électricité que les thermopompes et augmentent le coût de fonctionnement.

Le compresseur fonctionne un minimum de 3 minutes quel que soit le réglage afin de prévenir les cycles marche-arrêt courts.

Le ventilateur démarre avant le compresseur et s'arrête après que le compresseur cesse de fonctionner.

**Pour tous les modèles AZH, et les modèles AZV équipés d'un système d'évacuation du condensat interne**, lorsque la température extérieure est inférieure à 25 °F, la chaleur est fournie par le chauffage électrique au lieu de la thermopompe. Lorsque la température extérieure est en dessous de 25 °F, la fonction de refroidissement est verrouillée. Le refroidissement redeviendra opérationnel si la température passe au-dessus de 32 °F.

**Pour les modèles AZV non équipés d'un système d'évacuation du condensat**, lorsque la température extérieure est inférieure à 0 °F (-18 °C), la chaleur est fournie par le chauffage électrique au lieu de la thermopompe. Lorsque la température extérieure est inférieure à 0 °F (-18 °C), le fonctionnement du refroidissement est verrouillé. Le fonctionnement de la thermopompe et du refroidissement reprend lorsque la température extérieure dépasse 5 °F (-15 °C).



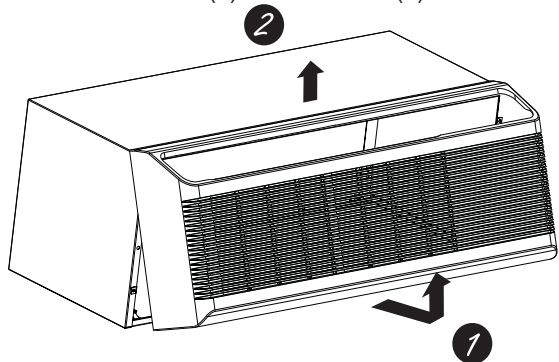
# Utilisation du Zoneline

## Retrait du couvercle côté pièce

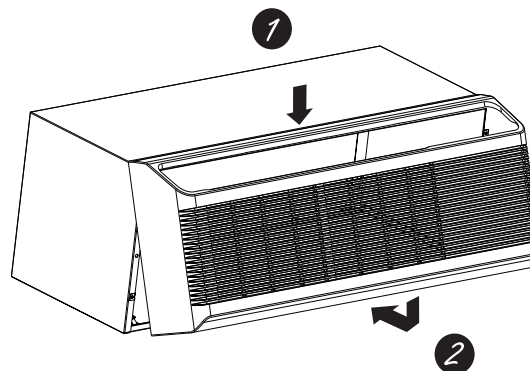
Des commandes supplémentaires se trouvent derrière le couvercle côté pièce.

**Avertissement :** Ne retirez pas le couvercle côté pièce. Le couvercle côté pièce ne doit être retiré que pour l'installation ou l'entretien.

**Pour retirer :** Tirez sur le bas pour le dégager des languettes de retenue sur les côtés (1). Puis levez-le (2).

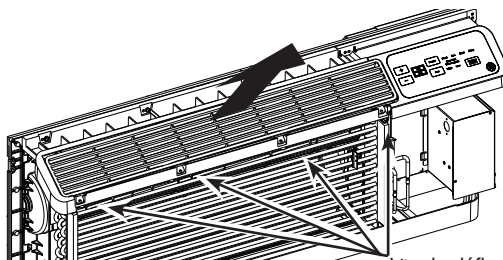


**Pour remplacer :** Alignez et placez le rail supérieur du couvercle au-dessus du châssis (1). Poussez vers l'intérieur dans le bas jusqu'à ce qu'il s'enclique en place (2).

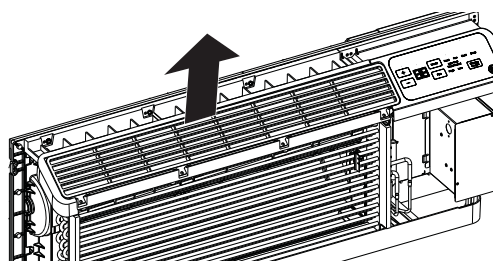


## Direction du flux d'air

Pour changer la direction du flux d'air, retirez le couvercle côté pièce. Enlevez les 4 vis qui fixent le déflecteur. Faites pivoter le déflecteur de 180° puis remettez-le en place ainsi que les vis et le couvercle.



Orientation du déflecteur à la livraison (flux d'air à 45° de l'horizontal)



Modification de l'orientation du déflecteur (flux d'air à 60° de l'horizontal)

## Levier de commande de la ventilation\*

**REMARQUE :** Deux vis d'expédition doivent être retirées du panneau de l'évent avant l'utilisation. Consultez les instructions d'installation au dos de ce manuel.

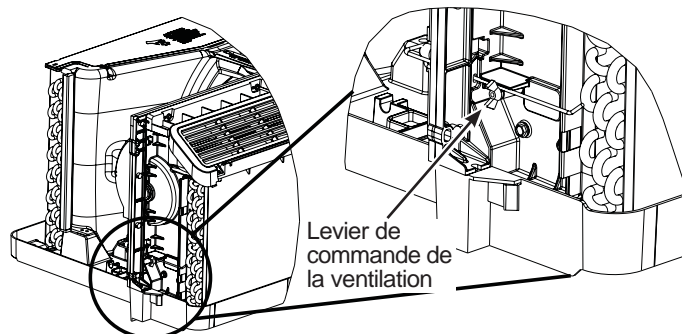
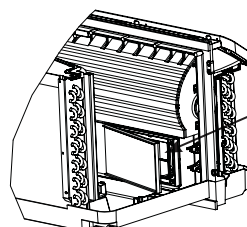
Le levier de commande de la ventilation est situé du côté inférieur gauche du Zoneline, derrière le couvercle côté pièce. Un écrou à oreille permet d'ajuster la position du levier.

En position fermée, seul l'air intérieur de la pièce est mis en circulation et filtré.

En position ouverte, une certaine quantité d'air extérieur sera admis dans la pièce. Cela réduira l'efficacité du réchauffement ou du refroidissement.

**Conseil éconergétique :** Gardez le levier de commande dans la position fermée pour empêcher l'air non conditionné de pénétrer dans la pièce.

\*Absent sur les unités avec module d'air d'appoint.



# Commandes auxiliaires de votre Zonline

## Commandes auxiliaires – Bouton Aux Set (Réglages auxiliaires)

Bien que l'appareil soit pré-réglé à ce que la plupart des clients préfèrent, des commandes auxiliaires sont situées derrière le couvercle côté pièce, sous le panneau de commande.

Retirez le couvercle. Voyez la section **Retrait du couvercle côté pièce**, à la page 6.

Si le propriétaire modifie les commandes auxiliaires, il est responsable de s'assurer que celles-ci sont réglées sur la fonction souhaitée. Plusieurs fonctions ou modes peuvent être réglés à l'aide du bouton de réglage auxiliaire.

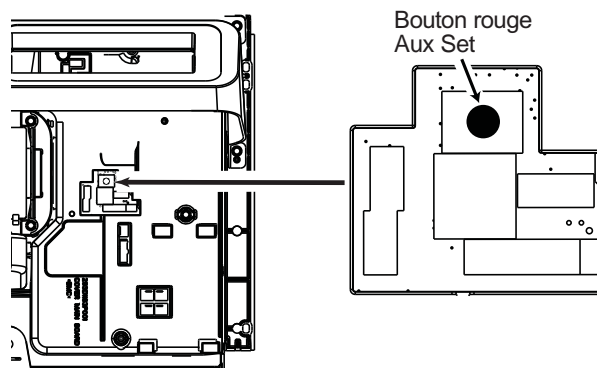
Pour modifier les paramètres de fonctionnement ou de réglage, appuyez sur le bouton **AUX** rouge à tout moment. « A1 » apparaît sur l'affichage.

Appuyez sur **+** ou **-** pour faire défiler les menus de réglage **AUX** (A1, A2, etc.). Heat / Cool ne s'allume pas.

Appuyez sur le bouton **FAN** pour accéder au menu de réglage AUX sélectionné. Appuyez ensuite sur **+** ou **-** pour modifier le réglage. Certains réglages utilisent le bouton **MODE** pour

effectuer des sélections supplémentaires. Appuyez de nouveau sur le bouton **FAN** pour quitter le menu de réglage AUX actuel et revenir à la liste des menus AUX. Les réglages sont appliqués lorsque vous appuyez sur le bouton **FAN**.

Appuyez sur le bouton **AUX** rouge pour quitter le menu de réglage AUX et revenir au fonctionnement normal.



### AUX A1 Smart Fan—Cooling/Heating (Ventilateur intelligent – Froid/Chaleur)

Utilisez **+** ou **-** pour naviguer jusqu'au réglage AUX A1 et entrez dans le menu avec le bouton FAN. Le voyant **COOL** sur la commande principale sera allumé et tout changement utilisant **+** ou **-** affectera le fonctionnement de l'appareil pendant le mode refroidissement. Pour ajuster les réglages du mode de chauffage, appuyez de nouveau sur **MODE**. Le voyant **HEAT** sur la commande principale s'allume et les changements à l'aide de **+** ou **-** affecteront le fonctionnement de l'appareil pendant le mode chauffage.

Pour configurer le ventilateur intérieur afin qu'il s'allume et s'éteigne en alternance en mode chauffage ou refroidissement, appuyez sur les boutons **+** ou **-** pour sélectionner « Cy ».

Pour configurer le ventilateur intérieur afin qu'il fonctionne en continu en mode chauffage ou refroidissement, appuyez sur les boutons **+** ou **-** pour sélectionner « Co ».

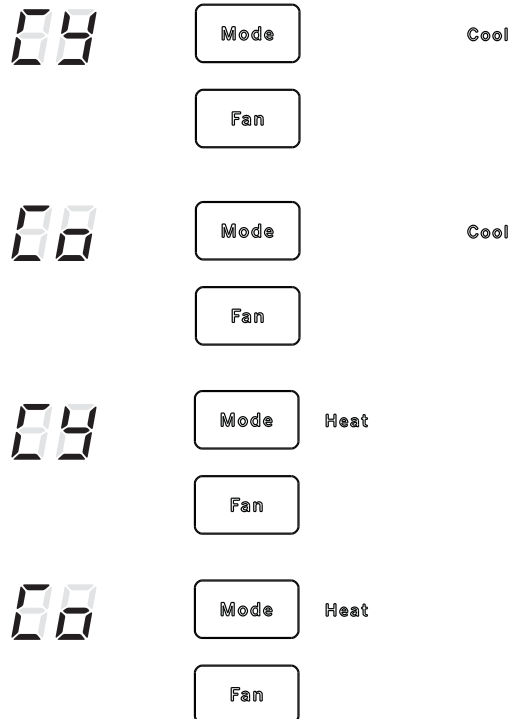
Appuyez sur le bouton **FAN** ou **MODE** pour confirmer la sélection.

Le réglage par défaut pour le Mode 1 est le suivant :

Cooling (Froid) : Continuous (Co) / Continu (Co)

Heating (Chaleur) : Cycle (CY) / Cyclique (CY)

**\*REMARQUE :** En fonctionnement cyclique, le ventilateur intérieur s'active à l'occasion pour vérifier la température de l'air dans la pièce (non applicable pour le fonctionnement du thermostat connecté à 2 voies). Si vous utilisez un thermostat externe 24 V, ces réglages ne s'appliquent pas.



# Commandes auxiliaires de votre Zonline

## AUX A2 Fahrenheit / Celsius

Cette fonction permet de basculer les unités de température entre Fahrenheit et Celsius sur l'affichage.

Utilisez + ou - pour naviguer jusqu'au réglage AUX A2 et entrez dans le menu avec le bouton **FAN**.

Utilisez + ou - pour naviguer jusqu'à Celsius ou Fahrenheit. Le deuxième caractère indiquera « F » pour Fahrenheit ou un « C » pour Celsius selon la sélection.

Le réglage par défaut du Mode 2 est Fahrenheit.



## AUX A3 Freeze Sentinel/Heat Sentinel (Sentinelle Gel/Sentinelle Chaleur)

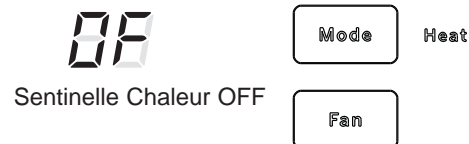
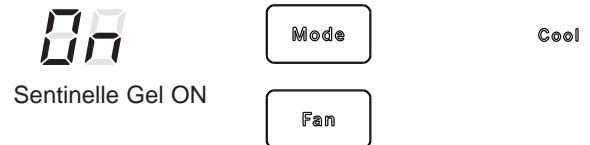
Lorsque l'appareil est sous tension et l'option **Freeze Sentinel** (Sentinelle Gel) sélectionnée, le Zonline fournira de la chaleur automatiquement sans interface utilisateur. Cela empêche les dommages potentiels à la plomberie en détectant des conditions de pièce intérieure très froides et en essayant d'élever la température de la pièce à 46 °F (7,8 °C) via une thermopompe et/ou un chauffage par résistance.

Lorsque l'unité est alimentée et que la sentinelle de chaleur est activée, l'appareil fournit automatiquement de l'air froid sans interface utilisateur. Cela prévient la chaleur excessive dans la pièce en tournant le climatiseur pour réduire la température de la pièce à 80 °F (26,7 °C).

Utilisez + ou - pour naviguer jusqu'au réglage AUX A3 et entrez dans le menu avec le bouton **FAN**. Le voyant COOL sur la commande principale s'allume pour le mode sentinelle gel. Appuyez de nouveau sur **MODE** pour passer en mode sentinelle chaleur. Le voyant **HEAT** s'allume. Appuyez sur les boutons + ou - pour alterner entre ON « on » et OFF « OF ». Appuyez sur le bouton **FAN** ou **MODE** pour verrouiller la sélection.

Dans le réglage par défaut du Mode 3: **Heat Sentinel** est à Off et **Freeze Sentinel** à On.

**REMARQUE** : Si ces fonctions sont activées, elles restent actives dès que l'appareil est branché, même si l'appareil est éteint.



## AUX A4 Constant ON Fan (Ventilateur constamment en marche)

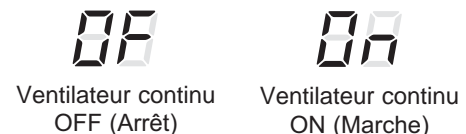
Utilisez + ou - pour naviguer jusqu'au réglage AUX A4 et entrez dans le menu avec le bouton **FAN**.

Appuyez sur les boutons + ou - pour alterner entre **ON** « on » et **OFF** « OF ».

Appuyez sur le bouton **FAN** pour verrouiller la sélection.

Remarque : Le ventilateur fonctionne alors en continu même si l'unité est éteinte.

Le réglage par défaut pour AUX A4 est **OFF** (Désactivé).



# Commandes auxiliaires de votre Zoneline

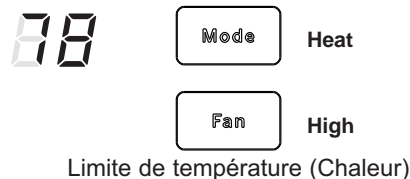
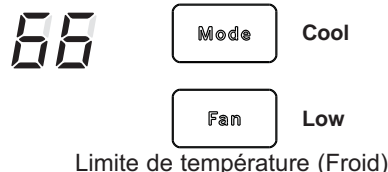
## AUX A5 Temperature Limiting (Limitation de la température)

La limitation de la température est une fonction qui réduit les coûts énergétiques en limitant la température la plus basse qu'on peut atteindre par refroidissement et la plus haute par réchauffement.

Utilisez + ou - pour naviguer jusqu'au réglage AUX A5 et entrez dans le menu avec le bouton **FAN**. En mode refroidissement, le voyant COOL de la commande principale s'allume. Le voyant **COOL** (Froid) sur le panneau de commande s'allumera. Pour changer le mode Heat, appuyez sur **MODE** de nouveau et le voyant **HEAT** (Chaleur) sur le panneau de commande s'allumera.

Pour définir la limite de température de refroidissement minimale ou la limite de température de chauffage maximale, appuyez sur les boutons + et -. Les valeurs sont exprimées en degrés Celsius ou Fahrenheit en fonction de la sélection AUX du réglage AUX A2. Appuyez sur le bouton **FAN** ou **MODE** pour verrouiller la sélection.

Réglage par défaut pour AUX A5 :  
Cool : 66 à 85 °F (19 à 29 °C)  
Heat : 60 à 78 °F (15 à 25 °C)



## AUX A6 Use Wall Thermostat (Utiliser le thermostat mural)

Le réglage de ce mode à ON permet à l'appareil de fonctionner avec un thermostat mural distant de classe 2. Utilisez + ou - pour naviguer jusqu'au réglage AUX A6 et entrez dans le menu avec le bouton **FAN**.

Appuyez sur les boutons + ou - pour alterner entre ON « on » et OFF « OF ». Appuyez sur le bouton **FAN** ou **MODE** pour verrouiller la sélection.

Le réglage par défaut du Mode 6 est OFF (Arrêt).

Lorsque le mode classe 2 est actif, l'affichage indique « Use Wall Thermostat » (Utiliser le thermostat mural) à la pression de n'importe quelle touche.

Lorsque le thermostat à 2 voies est connecté, l'appareil règle automatiquement A6 sur « OF » pour permettre le contrôle du thermostat à 2 voies.



## AUX A7 Fan Boost Setting (Réglage de surpuissance du ventilateur)

Ce réglage est utilisé pour augmenter le débit d'air de l'appareil afin d'assurer une circulation correcte.

Utilisez + ou - pour naviguer jusqu'au réglage AUX A7 et entrez dans le menu avec le bouton **FAN**.

Appuyez sur les boutons + ou - pour alterner entre ON « on » et OFF « OF ». Appuyez sur le bouton **FAN** pour verrouiller la sélection.

Le réglage par défaut pour AUX A7 est OFF Désactivé).



## AUX A8 Heat Mode Selector (AZH et AZV seulement)

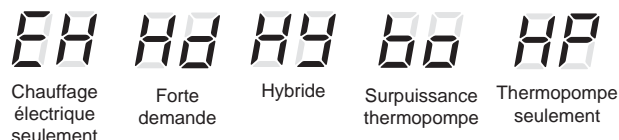
Ce réglage est utilisé pour limiter les modes de chauffage dans lesquels l'appareil peut fonctionner.

Utilisez + ou - pour naviguer jusqu'au réglage AUX A8 et entrez dans le menu avec le bouton **FAN**.

Appuyez sur le bouton + ou - pour alterner entre :

- EH : Chauffage électrique seulement (l'appareil fournit seulement du chauffage électrique, sauf en cas d'anomalie)
- Hd : Demande élevée (l'AZH utilisera seulement la thermopompe de surpuissance et l'AZV utilisera une vitesse de compresseur accrue. Sauf en cas d'anomalie).
- HY : Hybride (Par défaut. L'appareil peut fournir du chauffage dans tous les modes disponibles)
- Bo : Surpuissance thermopompe (utilise une thermopompe en surpuissance ou normalement. L'appareil n'utilisera pas de chauffage électrique. Sauf en cas d'anomalie).

■ HP : Thermopompe seulement (L'appareil n'utilisera pas de chauffage électrique. Sauf en cas d'anomalie). Appuyez sur le bouton **FAN** pour verrouiller la sélection. Le réglage par défaut pour AUX A8 est Hybride « HY ».



# Commandes auxiliaires de votre Zoneline

## AUX A9 Heat Fault Override (AZH et AZV seulement)

Ce réglage est utilisé pour limiter davantage les modes de chauffage dans lesquels l'unité peut fonctionner, selon le réglage AUX défini dans A8.

A9 n'est visible que si la thermopompe de surpuissance « Bo » ou la thermopompe uniquement « HP » est sélectionnée dans la section AUX A8.

Utilisez + ou - pour naviguer jusqu'au réglage AUX A9 et entrez dans le menu avec le bouton **FAN**.

Appuyez sur les boutons + ou - pour alterner entre ON « on » et OFF « OF ». Appuyez sur le bouton **FAN** pour verrouiller la sélection.

ON active le contrôle strict du fonctionnement du chauffage. OFF permet à l'unité de neutraliser la sélection AUX A8 si le fonctionnement de la thermopompe n'est pas autorisé. Le réglage par défaut pour AUX A9 est OFF Désactivé).

Neutralisation d'anomalie  
de chauffage OFF

Neutralisation d'anomalie  
de chauffage ON

## AUX B1 Vitesse de ventilateur du module d'air d'appoint numérique(Disponible uniquement sur les modèles avec air d'appoint)

Le système de ventilation d'air d'appoint est conçu pour fournir de l'air extérieur continu à travers le panneau d'évent et dans la pièce. En plus de fournir de l'air frais, l'appareil déshumidifie la pièce lorsque celle-ci affiche une humidité relative supérieure à 50 %.

Utilisez + ou - pour naviguer jusqu'au réglage AUX B1 et entrez dans le menu avec le bouton **FAN**.

Appuyez sur le bouton + ou - pour alterner entre le débit en

pi3/min souhaité et OFF « OF ».

Appuyez sur le bouton **FAN** pour verrouiller la sélection.

Le réglage par défaut pour AUX B1 est 35 pi3/min.

**Remarque :** L'arrêt du ventilateur ferme aussi le volet du conduit d'air

35 CFM

MUA Off

## AUX B2 Réglages du filtre à air d'appoint

Utilisez + ou - pour naviguer jusqu'au réglage **AUX B2** et entrez dans le menu avec le bouton **FAN**.

Appuyez sur le bouton + ou - pour alterner entre :

- Pas de filtre « no » : Aucun filtre à air d'appoint installé.
- Filtre Merv 13 « 13 » : Filtre MERV 13 installé.

Appuyez sur le bouton **FAN** pour verrouiller la sélection.

Le réglage par défaut pour AUX B2 est aucun filtre.

Aucun filtre

Filtre MERV 13

## AUX B3 Détection d'occupation du module d'air d'appoint numérique

Utilisez + ou - pour naviguer jusqu'au réglage **AUX B3** et entrez dans le menu avec le bouton **FAN**.

Appuyez sur le bouton + ou - pour faire votre choix entre **ON** « On » et **OFF** « OF ».

- **ON** : L'air d'appoint est contrôlé par un capteur d'occupation du thermostat à 2 voies ou une entrée auxiliaire 24 V si C1 est configuré sur « OC ».

- **OFF** : L'air d'appoint circule en continu.

Appuyez sur le bouton **FAN** pour verrouiller la sélection.

Le réglage par défaut pour **AUX B3** est OFF.

## AUX B4 Contrôle de la déshumidification (sentinelle d'humidité)

Utilisez + ou - pour naviguer jusqu'au réglage **AUX B4** et entrez dans le menu avec le bouton **FAN**.

Appuyez sur le bouton + ou - pour alterner entre :

**LOW** « Lo » (basse) : Cible une humidité relative de 50 %.

**Standard** « Sd » : Cible une h.r. de 50 %, avec une déshumidification plus agressive au-dessus de 70 %.

**HIGH** « HI » : Cible une h.r. de 50 %, avec une déshumidification plus agressive au-dessus de 60 %.

**OFF** « OF » : Pas de déshumidification supplémentaire.

Appuyez sur le bouton **FAN** pour verrouiller la sélection.

Le réglage par défaut pour **AUX B4** est OFF.

Arrêt

Basse

Standard

Haut

# Commandes auxiliaires de votre Zoneline

## AUX B5 Commande du module UVC (modèles équipés d'un module à rayonnement ultraviolet C)

Utilisez **+** ou **-** pour naviguer jusqu'au réglage **AUX B5** et entrez dans le menu avec le bouton **FAN**.

Appuyez sur le bouton **+** ou **-** pour faire votre choix entre **ON** « On » et **OFF** « OF ».

**ON** : Le module UVC fonctionne lorsque le ventilateur de l'appareil fonctionne.

**OFF** : Le module UVC ne fonctionne pas.

Appuyez sur le bouton **FAN** pour verrouiller la sélection.

Le réglage par défaut pour **AUX B5** est **OFF**.

Les rayons UVC, même à petites doses, peuvent nuire aux yeux et à la peau.

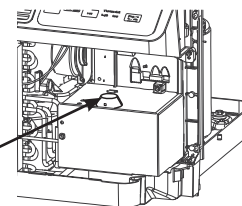
L'utilisation involontaire de cet appareil ou les dommages au boîtier UVC peuvent entraîner la fuite de rayons UVC.

N'utilisez pas de lampes UVC en dehors de l'appareil.

Débranchez le Zoneline à la prise murale ou au disjoncteur

ou à la boîte à fusibles avant de nettoyer ou de réparer les composants UVC.

Les composants UVC de rechange (ensemble de coupure de ventilateur **UVC - WP01X34553**; ensemble de boîte de jonction **UVC - WP76X34554**) sont disponibles auprès de votre vendeur, de votre revendeur **GE Appliances**, du Centre de service et de pièces **GE Appliances** ou des réparateurs agréés Customer Care®.



Le témoin situé sur le dessus de la boîte de jonction s'allume lorsque l'UVC est activé

## AUX C1 Configuration de l'entrée auxiliaire 24 V

Une entrée auxiliaire 24 V est fournie pour permettre l'intégration avec des dispositifs externes tels que des interrupteurs de porte, des capteurs d'occupation ou une commande à distance. Cette fonction nécessite qu'un interrupteur marche/arrêt au lieu éloigné soit câblé à deux bornes de l'entrée auxiliaire sur le panneau de commande du Zoneline à l'aide de l'accessoire RAKCDC. Pour configurer l'entrée :

Accédez au menu AUX en appuyant sur le bouton **AUX** rouge.

Utilisez **+** ou **-** pour naviguer jusqu'au réglage **AUX C1** et entrez dans le menu avec le bouton **FAN**.

Appuyez sur le bouton **+** ou **-** pour alterner entre :

### Commande par bureau central « Cd » :

- Si les contacts sont fermés, l'appareil ignore l'entrée des thermostats externes ou l'entrée de l'utilisateur. Les modes sentinelles fonctionnent toujours.
- Si les contacts sont ouverts, l'appareil fonctionne normalement.

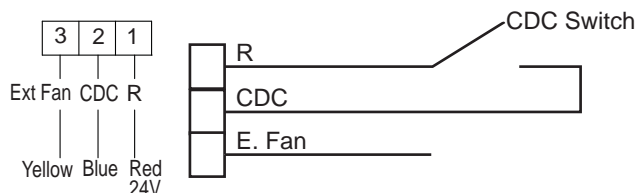
### Contrôle d'occupation « Oc » :

- Si les contacts sont fermés et qu'un thermostat à 2 voies n'est pas connecté, l'appareil passe à l'état inoccupé. Si AUX B2 est réglé sur ON, le fonctionnement de l'air d'appoint est désactivé.
- Si les contacts sont ouverts, l'appareil passe à l'état occupé.



Commande par bureau central

Mode d'occupation



# Commandes auxiliaires de votre Zoneline

## Commandes auxiliaires – Bornes de raccordement

Les connexions des bornes des commandes auxiliaires se situent derrière le couvercle côté pièce, au-dessous des commandes de l'appareil.

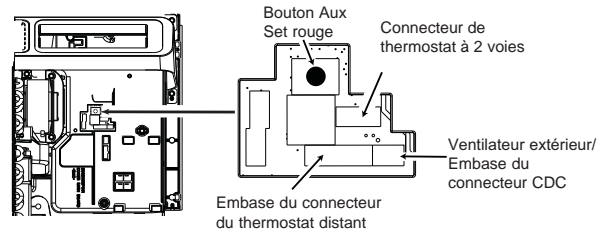
1. Mettez l'appareil hors tension et débranchez-le
2. Retirez le couvercle côté pièce. Voyez la section Retrait du couvercle côté pièce.
3. Pour connecter les fils, insérez les connecteurs dans les bornes correspondantes sur la boîte de commande.
4. Lorsque toutes les connexions désirées sont terminées, remplacez le couvercle.

Le propriétaire est responsable de réaliser tous les raccordements et le réglage du mode AUX SET appropriés.

**AVIS :**

Un raccordement de fils incorrect peut endommager

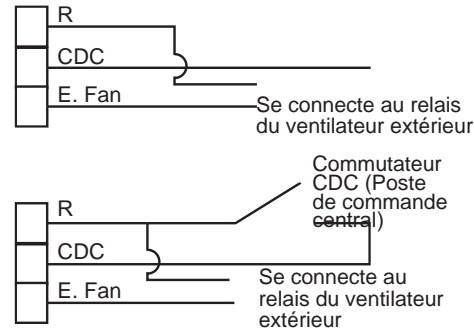
l'électronique du Zoneline. Il est interdit d'utiliser une barre omnibus, cela pourrait causer des dommages ou rendre le fonctionnement irrégulier. Une paire de fils distincte doit être acheminée depuis chaque commutateur distinct jusqu'à chaque appareil Zoneline.



## Ventilateur extérieur (Installation sur site)

Lorsqu'il est connecté, un ventilateur auxiliaire ou extérieur peut être contrôlé en même temps que le moteur du ventilateur intérieur du Zoneline. Les raccordements procurent un courant 24 VCA pour alimenter un relais distant.

Pour activer cette fonction, il faut installer une carte principale de rechange WP26X34616 et un accessoire RAKCDC.



## Thermostat distant (acheté localement)

La trousse de connecteur de thermostat à distance RAKTK8PA1\* est nécessaire pour permettre l'utilisation d'un thermostat mural à distance au lieu des commandes sur le Zoneline

Les appareils reliés à un thermostat distant fonctionnent différemment puisque la mesure de la température de l'air intérieur passe de l'appareil au thermostat. Le tableau suivant indique le fonctionnement de l'appareil relié à un thermostat distant.

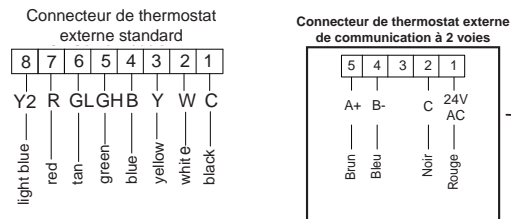
**IMPORTANT :** Les raccordements du thermostat Zoneline procurent du courant 24 VCA seulement.

Si l'on utilise un thermostat mural numérique/électronique, il faut le régler pour un courant de 24 VCA. Voyez la rubrique sur le thermostat mural dans la section Instructions d'installation.

**AVIS :**

Un dommage au thermostat mural ou à l'électronique du Zoneline peut résulter de raccordements erronés. Le raccordement des fils nécessite un soin particulier. Aucun raccordement à la tension de secteur ne doit être effectué sur quelque circuit que ce soit. Isolez tous les fils du bâtiment de la tension de secteur.

• **Remarque :** S'il vous manque un connecteur ou l'autre, vous pouvez commander la pièce GE Appliances no WJ26X28997.



# Commandes auxiliaires de votre Zoneline

Fonction actives de L'APPAREIL lors de l'utilisation d'un thermostat à distance			
Fonction	AZE	AZH	AZV
Contrôle de givre intérieur	Oui	Oui	Oui
Sentinelle de gel	Oui	Oui	Oui
Limitation électronique de la température	Non	Non	
Passe au chauffage par résistance selon la température intérieure	S/O	Déterminé par le thermostat à distance	
Passe au chauffage par résistance selon la température extérieure	S/O	Oui	Oui
Dégivrage par inversion de cycle	S/O	Oui	Oui
Chauffage par résistance partiel simultané avec thermopompe	S/O	Oui	Oui
Verrouillage du chauffage par résistance	S/O	Oui	Oui
Cycle de ventilateur « Smart Fan »	FAN ON/AUTO réglé sur thermostat à distance		
Contrôle par bureau central	Oui	Oui	Oui
Sentinelle d'humidité	S/O	S/O	Oui

Fonction actives de L'APPAREIL lors de l'utilisation d'un thermostat à distance bidirectionnel			
Fonction	AZH	AZE	AZV
Contrôle de givre intérieur	Oui	Oui	Oui
Sentinelle de gel	Oui	Oui	Oui
Limitation électronique de la température	Oui	Oui	Oui
Passe au chauffage par résistance selon la température intérieure	Oui	Oui	Oui
Passe au chauffage par résistance selon la température extérieure	S/O	Oui	Oui
Dégivrage par inversion de cycle	S/O	Oui	Oui
Chauffage par résistance partiel simultané avec thermopompe	S/O	Oui	Oui
Verrouillage du chauffage par résistance	S/O	Oui	Oui
Cycle de ventilateur « Smart Fan »	Oui	Oui	Oui
Contrôle par bureau central	Oui	Oui	Oui
Sentinelle d'humidité	S/O	S/O	Oui

**REMARQUE** : Le réglage du mode Classe 2 (Mode 6) doit être réglé à ON pour que l'appareil fonctionne avec un thermostat mural distant de classe 2. (Voir les instructions d'installation fournies avec le thermostat et les instructions sur ce mode à la page 10.)

Aussi disponible dans un paquet de dix – RAKTK8PA10



# Paramètres WI-FI (AZV seulement)

Pour afficher l'état du Wi-Fi, maintenez les touches + et – enfoncées, puis relâchez-les au bout de 3 secondes. Le mode d'affichage se ferme automatiquement après 5 secondes d'inactivité ou lorsque vous appuyez sur un bouton.

L'affichage à 7 segments indique l'état du module Wi-Fi :

- **Off « OF »** – Le module est déconnecté du Wi-Fi.
- **Connexion « Cn »** – L'appareil se connecte au Wi-Fi.
- **Connecté « Co »** – L'appareil est connecté au Wi-Fi.
- **Inconnu « -- »** – Le module Wi-Fi n'est pas détecté.

Pour mettre le Wi-Fi en service : Appuyez sur les boutons AUX et **MODE SELECT** durant plus de 3 secondes, puis relâchez-les.

L'affichage à 7 segments se met à jour pour indiquer « Cn » s'il était éteint précédemment, ou « OF » s'il était connecté précédemment.

Appuyez de nouveau sur les touches Mode et AUX et maintenez-les enfoncées pour basculer entre OF et Cn/Co.

Appuyez sur n'importe quel bouton pour rétablir le fonctionnement standard de l'interface utilisateur, mais le Wi-Fi continuera dans le mode qu'il a laissé.

Remarque : Lors de la mise en service du Wi-Fi, le délai de retour automatique de l'affichage à son fonctionnement normal est de 15 minutes.



# ENTRETIEN ET NETTOYAGE

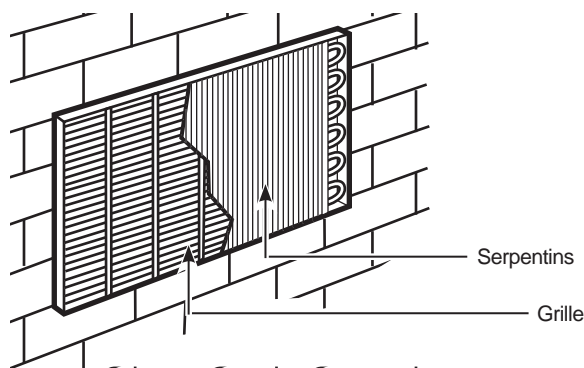
## Couvercle côté pièce et boîtier

Éteignez le Zoneline et débranchez l'alimentation électrique.

Pour nettoyer, utilisez une solution d'eau et de détergent doux. N'utilisez ni javellisant ni abrasifs. Certains nettoyants du commerce peuvent endommager les composants en plastique.

## Serpentins extérieurs

Les serpentins situés du côté extérieur du Zoneline doivent être inspectés régulièrement. S'ils sont obstrués par de la saleté ou de la suie, il faut employer une méthode de nettoyage à basse ou sans pression. Assurez-vous que les zones et les composants électriques sont protégés pendant le nettoyage. Vous devez retirer l'appareil de son logement mural pour inspecter les serpentins. **L'accumulation de saleté se produit du côté ventilateur des serpentins extérieurs.**



Nettoyez les serpentins extérieurs régulièrement.

## Plateau de fond

Dans certaines installations, de la saleté ou d'autres débris peuvent être soufflés dans l'appareil depuis l'extérieur et se déposer dans le plateau de fond (dans le bas de l'appareil).

Dans certaines régions, une substance à l'aspect de gel ou de vase peut apparaître naturellement dans le plateau de fond

Procédez à une inspection régulièrement et nettoyez s'il y a lieu.

Sur les modèles de la série AZE, ne retirez pas le bouchon de vidange en caoutchouc du plateau de base. En refroidissement, l'eau dans le plateau de base favorise le refroidissement par évaporation et augmente l'efficacité énergétique.

## Filtre des événements de ventilation

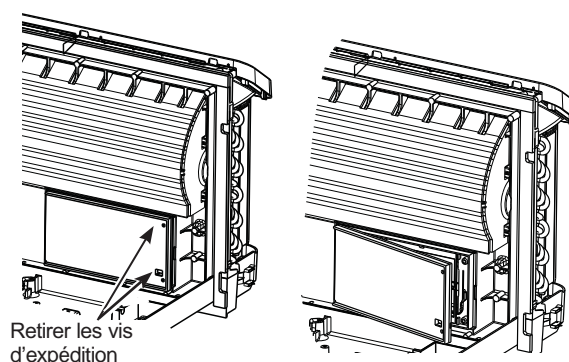
Si le panneau à événements est ouvert, nettoyez le filtre des événements deux fois l'an ou au besoin. Pour y accéder, il faut retirer l'appareil de son logement mural.

Éteignez le Zoneline et débranchez-le avant de le retirer et le nettoyer.

**Pour nettoyer le filtre des événements :**

**IMPORTANT:** Ce filtre n'est pas amovible. Tenter de le retirer endommagera l'appareil.

- Utilisez un aspirateur pour retirer les particules du filtre.
- Après l'aspirateur, utilisez un chiffon humide pour essuyer le filtre et alentour.



Retirer les vis d'expédition

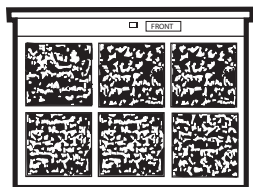
# ENTRETIEN ET NETTOYAGE

Pour maintenir un rendement optimal, nettoyez les filtres tous les 30 jours au minimum.

## Filtres à air



Filtre sale – Nécessite un nettoyage



Filtre obstrué – Restreint fortement le refroidissement, le chauffage et la circulation d'air.

### Éteignez le Zoneline avant le nettoyage.

Le geste le plus important que vous pouvez faire pour maintenir le Zoneline en état est de nettoyer le filtre tous les 30 jours au minimum. Les filtres obstrués gênent le refroidissement, le chauffage et la circulation d'air.

### Garder ces filtres propres procure les avantages suivants :

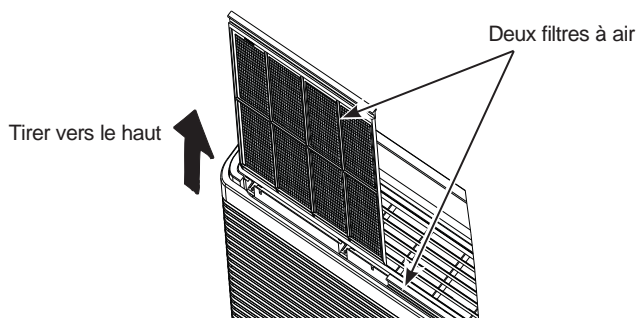
- Abaisse le coût de fonctionnement.
- Économise l'énergie.
- Préviend l'obstruction des serpentins de l'échangeur de chaleur.
- Réduit le risque de défaillance prématurée des composants.

### Pour nettoyer les filtres à air :

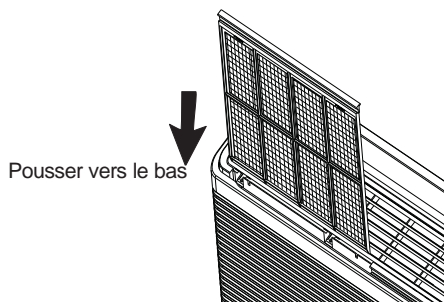
- Évacuez les grosses particules à l'aspirateur.
- Faites circuler de l'eau à travers le dos des filtres.
- Séchez les filtres à fond avant de les replacer.

**REMARQUE :** Les filtres à air sont interchangeables et se posent du côté droit ou gauche.

### Pour retirer les filtres à air :



### Pour replacer les filtres à air :



## AVIS :

Ne faites pas fonctionner le Zoneline sans les filtres en place. Si un filtre devient déformé ou endommagé, remplacez-le immédiatement.

Le fonctionnement sans filtres en place ou avec des filtres endommagés permettra à la saleté et la poussière d'atteindre les serpentins intérieurs et gênera ainsi le refroidissement, le réchauffement, la circulation d'air et l'efficacité de l'appareil.

Vous pouvez vous procurer des filtres de rechange auprès de votre représentant, votre concessionnaire GE, du Centre de réparation et de pièces GE ou des réparateurs autorisés Customer Care®.

## Exigences relatives au fonctionnement, à l'entretien et à l'installation d'appareils utilisant des réfrigérants inflammables

### **⚠ WARNING**

- N'utilisez pas de moyens visant à accélérer le dégivrage ou le nettoyage autres que ceux recommandés par le fabricant.
- Le produit doit être entreposé dans une pièce exempte de sources d'allumage qui fonctionnent sans interruption (par exemple : flammes nues, appareil d'utilisation du gaz ou radiateur électrique en fonctionnement).
- Abstenez-vous de percer ou de brûler.
- Sachez que les réfrigérants peuvent être inodores.



**Avertissement : Matériaux inflammables, classe de A2L réfrigérant selon ISO 817**



**Manuel d'utilisation : Instructions d'utilisation**



**Lisez le manuel d'utilisation**



**Service Indicator; Read Technical Manual**

### **Généralités**

- La manipulation, l'installation, le nettoyage, l'entretien et la mise au rebut du réfrigérant doivent être conformes à la réglementation locale et aux instructions.
- L'entretien ne doit être effectué que selon les recommandations du fabricant.

## Exigences relatives au fonctionnement, à l'entretien et à l'installation d'appareils utilisant des réfrigérants inflammables

### Qualification des travailleurs

Toute procédure de travail touchant les mesures de sécurité ne doit être effectuée que par des personnes compétentes.

**Voici quelques exemples de ces procédures de travail :**

- rupture dans le circuit frigorifique.
- ouverture des composants scellés.

Les personnes compétentes sont formées par les organismes nationaux de formation ou les fabricants agréés pour enseigner les normes de compétence nationales pertinentes qui peuvent être fixées par la législation. La compétence acquise doit être documentée par un certificat.

### Informations sur l'entretien

Avant de commencer à travailler sur les systèmes contenant des **RÉFRIGÉRANTS INFLAMMABLES**, des contrôles de sécurité sont nécessaires pour s'assurer que le risque d'inflammation est réduit au minimum. Pour la réparation du **SYSTÈME FRIGORIFIQUE**, les exigences ci-dessous doivent être satisfaites avant toute intervention sur le système :

- Les travaux doivent être entrepris selon une procédure contrôlée afin de minimiser le risque de présence de gaz ou de vapeur inflammable pendant leur exécution.
- Tout le personnel d'entretien et les autres personnes travaillant dans la zone doivent être informés de la nature des travaux effectués. Les travaux dans des espaces confinés doivent être évités.
- La zone doit être vérifiée avec un détecteur de réfrigérant approprié avant et pendant le travail, afin de s'assurer que le technicien est conscient de la présence d'atmosphères potentiellement toxiques ou inflammables. Assurez-vous que l'équipement de détection de fuite utilisé est adapté à une utilisation avec tous les réfrigérants applicables, c'est-à-dire anti-étincelles, correctement scellé ou intrinsèquement sûr.
- Si des travaux à chaud doivent être effectués sur l'équipement frigorifique ou toute pièce associée, un équipement d'extinction d'incendie approprié doit être disponible à portée de main. Un extincteur à poudre sèche ou à CO2 doit être présent à proximité de la zone de chargement.

# CONDITIONS DE FONCTIONNEMENT

## Exigences relatives au fonctionnement, à l'entretien et à l'installation d'appareils utilisant des réfrigérants inflammables

### Informations sur l'entretien (suite)

- Aucune personne effectuant des travaux relatifs à un **SYSTÈME FRIGORIFIQUE** qui implique l'exposition d'un ouvrage de tuyauterie ne doit utiliser des sources d'inflammation de telle manière que cela puisse entraîner un risque d'incendie ou d'explosion. Toutes les sources d'inflammation possibles, y compris l'allumage de cigarettes, doivent être maintenues suffisamment loin du site d'installation, de réparation, de retrait et d'élimination, à l'endroit duquel du réfrigérant peut éventuellement être libéré dans l'espace environnant. Avant de commencer le travail, la zone autour de l'équipement doit être inspectée pour s'assurer qu'il n'y a pas de risques d'inflammabilité ou d'allumage. Des écriteaux « Interdiction de fumer » doivent être affichés.
- S'assurer que la zone est à l'air libre ou qu'elle est adéquatement ventilée avant de pénétrer dans le système ou d'effectuer des travaux à chaud. Un certain degré de ventilation doit se poursuivre pendant la période où les travaux sont effectués. La ventilation doit disperser en toute sécurité tout réfrigérant libéré et de préférence l'expulser vers l'extérieur dans l'atmosphère.
- Lorsque des composants électriques sont changés, ils doivent être adaptés à l'usage prévu et aux spécifications correctes. Les directives d'entretien et de réparation du fabricant doivent être respectées en tout temps. En cas de doute, consultez le service technique du fabricant pour obtenir de l'aide.
- Les vérifications suivantes doivent être appliquées aux installations utilisant des **RÉFRIGÉRANTS INFLAMMABLES** :
  - le marquage de l'équipement continue d'être visible et lisible. Les marquages et les écriteaux illisibles doivent être corrigés.
  - La réparation et l'entretien des composants électriques doivent comprendre des vérifications de sécurité initiales et des procédures d'inspection des composants. S'il existe un défaut susceptible de compromettre la sécurité, aucune alimentation électrique ne doit être raccordée au circuit tant qu'il n'a pas été remédié de manière satisfaisante. Si le défaut ne peut pas être corrigé immédiatement mais qu'il est nécessaire de poursuivre l'opération, une solution temporaire adéquate doit être utilisée. Cette information doit être signalée au propriétaire de l'équipement afin que toutes les parties en soient informées.
- Les vérifications de sécurité initiales doivent s'assurer :
  - que les condensateurs sont déchargés; cela doit être fait de manière sûre pour éviter toute possibilité d'étincelles;
  - qu'aucun composant électrique et câblage sous tension ne soient exposés lors de la charge, de la récupération ou de la purge du système;
  - qu'il y a continuité du chemin de terre.

### Réparations de composants scellés, de composants à sécurité intrinsèque

- Les composants électriques scellés doivent être remplacés.
- Les composants à sécurité intrinsèque doivent être remplacés.
- Remplacer les composants uniquement par des pièces spécifiées par le fabricant. D'autres pièces peuvent provoquer l'inflammation du réfrigérant dans l'atmosphère en raison d'une fuite.

### Câblage

Vérifiez que le câblage ne sera pas soumis à l'usure, à la corrosion, à une pression excessive, à des vibrations, à des bords tranchants ou à tout autre effet environnemental indésirable. La vérification doit également tenir compte des effets du vieillissement ou des vibrations continues provenant de sources telles que les compresseurs ou les ventilateurs.

## Exigences relatives au fonctionnement, à l'entretien et à l'installation d'appareils utilisant des réfrigérants inflammables

### Détection de réfrigérants inflammables

- En aucun cas, des sources potentielles d'inflammation ne doivent être utilisées dans la recherche ou la détection de fuites de réfrigérant. On ne doit pas utiliser de lampe haloïde (ou tout autre détecteur utilisant une flamme nue).
  - Les méthodes de détection des fuites suivantes sont jugées acceptables pour tous les systèmes frigorifiques.
    - Des détecteurs électroniques de fuites peuvent être utilisés pour détecter les fuites de réfrigérant, mais dans le cas de **RÉFRIGÉRANTS INFLAMMABLES**, la sensibilité peut ne pas être adéquate ou nécessiter un nouvel étalonnage. (Le matériel de détection doit être étalonné dans une zone exempte de réfrigérant.) S'assurer que le détecteur n'est pas une source potentielle d'inflammation et qu'il est adapté au réfrigérant utilisé. L'équipement de détection des fuites doit être réglé à un pourcentage de la limite inférieure d'inflammabilité du réfrigérant et doit être étalonné en fonction du réfrigérant utilisé, et le pourcentage approprié de gaz (25 % maximum) est confirmé.
    - Les liquides de détection de fuites peuvent également être utilisés avec la plupart des réfrigérants, mais l'utilisation de détergents contenant du chlore doit être évitée car le chlore peut réagir avec le réfrigérant et corroder les canalisations en cuivre.
- REMARQUE** : Exemples de liquides de détection de fuites :
- méthode des bulles;
  - agents de la méthode par fluorescence
- Si une fuite est suspectée, toutes les flammes nues doivent être enlevées/éteintes.
  - Si une fuite de réfrigérant est détectée, tout le réfrigérant doit être récupéré du système ou isolé (au moyen de robinets d'arrêt) dans une partie du système éloignée de la fuite. Le retrait du réfrigérant doit être effectué conformément au manuel.

### Retrait et évacuation

- Lorsqu'il faut s'introduire dans le circuit de réfrigérant pour effectuer des réparations – ou à toute autre fin – les procédures conventionnelles doivent être utilisées. Cependant, pour les **RÉFRIGÉRANTS INFLAMMABLES**, il est important de suivre les meilleures pratiques, car l'inflammabilité doit être prise en compte. La procédure suivante doit être respectée :
  - a) retirer le réfrigérant en toute sécurité conformément aux réglementations locales et nationales;
  - b) purger le circuit avec un gaz inerte;
  - c) ouvrir le circuit par découpe.
- Une pompe à vide anti-étincelles, correctement scellée ou intrinsèquement sûre doit être utilisée.
- La sortie de la pompe à vide ne doit pas être proche de sources potentielles d'inflammation, et une ventilation doit être disponible.
- La charge de réfrigérant doit être récupérée dans les bouteilles de récupération appropriées si la ventilation n'est pas autorisée par les codes locaux et nationaux. Pour les appareils contenant des **RÉFRIGÉRANTS INFLAMMABLES**, le système doit être purgé avec de l'azote exempt d'oxygène afin de rendre l'appareil sûr pour les **RÉFRIGÉRANTS INFLAMMABLES**. Il peut être nécessaire de répéter ce processus plusieurs fois.
- L'air comprimé ou l'oxygène ne doivent pas être utilisés pour purger les systèmes frigorifiques.

### Procédures de charge

- En plus des procédures de charge conventionnelles, les exigences suivantes doivent être respectées.
  - S'assurer que la contamination de différents réfrigérants ne se produit pas lors de l'utilisation de l'équipement de charge. Les flexibles ou conduites doivent être aussi courts que possible pour réduire au minimum la quantité de réfrigérant qu'ils contiennent.
  - Les bouteilles doivent être maintenues dans une position appropriée conformément aux instructions.
  - S'assurer que le **SYSTÈME FRIGORIFIQUE** est mis à la terre avant de charger le système frigorifique.
  - Étiquetez le système lorsque la charge est terminée (si ce n'est pas déjà fait).
  - Une extrême prudence est requise pour ne pas trop remplir le **SYSTÈME FRIGORIFIQUE**.
- Avant de recharger le système, celui-ci doit être soumis à un essai de pression avec le gaz de purge approprié. Le système doit être soumis à un essai d'étanchéité à la fin de la charge, mais avant la mise en service. Un essai d'étanchéité de suivi doit être effectué avant de quitter le site.

# CONDITIONS DE FONCTIONNEMENT

## Exigences relatives au fonctionnement, à l'entretien et à l'installation d'appareils utilisant des réfrigérants inflammables

### Decommissioning

- Avant d'effectuer cette procédure, il est essentiel que le technicien connaisse parfaitement l'équipement dans tous ses détails. Il est recommandé de récupérer tous les réfrigérants en toute sécurité. Avant l'exécution de la tâche, un échantillon d'huile et de réfrigérant doit être prélevé au cas où une analyse serait nécessaire avant la réutilisation du réfrigérant récupéré. Il est essentiel que l'alimentation électrique soit disponible avant de commencer la tâche.
  - a) Familiarisez-vous avec l'équipement et son fonctionnement.
  - b) Isolez électriquement le système.
  - c) Avant de tenter la procédure, assurez-vous que :
    - l'équipement de manutention mécanique est disponible, au besoin, pour manipuler les bouteilles de réfrigérant;
    - tous les équipements de protection individuelle sont disponibles et utilisés correctement;
    - le processus de recouvrement est supervisé en tout temps par une personne compétente;
    - l'équipement de récupération et les bouteilles sont conformes aux normes appropriées.
  - d) Pompez le système de réfrigération, si possible.
  - e) S'il est impossible de faire le vide, fabriquez un collecteur pour que le réfrigérant puisse être évacué des différentes parties du système.
  - f) Assurez-vous que la bouteille est située sur la balance avant la récupération.
  - g) Démarrez la machine de récupération et faites-la fonctionner conformément aux instructions.
  - h) Ne remplissez pas trop les bouteilles (pas plus de 80 % du volume de liquide).
  - i) Ne dépassez pas la pression de service maximale de la bouteille, même temporairement.
  - j) Lorsque les bouteilles ont été remplies correctement et que le processus est terminé, assurez-vous que les bouteilles et l'équipement sont retirés du site rapidement et que tous les robinets d'isolement de l'équipement sont fermés.
  - k) Le réfrigérant récupéré ne doit pas être chargé dans un autre SYSTÈME FRIGORIFIQUE à moins qu'il n'ait été nettoyé et vérifié.

### Étiquetage

- L'équipement doit afficher une étiquette indiquant qu'il a été mis hors service et vidé de son réfrigérant. L'étiquette doit être datée et signée. Pour les appareils contenant **DES RÉFRIGÉRANTS INFLAMMABLES**, assurez-vous que l'équipement comporte des étiquettes indiquant qu'il contient des **RÉFRIGÉRANTS INFLAMMABLES**.



## Exigences relatives au fonctionnement, à l'entretien et à l'installation d'appareils utilisant des réfrigérants inflammables

### Récupération

- Lors du retrait du réfrigérant d'un système, que ce soit pour l'entretien ou la mise hors service, il est recommandé que tous les réfrigérants soient retirés en toute sécurité.
- Lors du transfert du réfrigérant dans des bouteilles, s'assurer que seules des bouteilles de récupération de réfrigérant appropriées sont utilisées. S'assurer que le nombre correct de cylindres pour maintenir la charge totale du circuit est disponible. Toutes les bouteilles à utiliser sont désignées pour le réfrigérant récupéré et étiquetées pour ce réfrigérant (c'est-à-dire des bouteilles spéciales pour la récupération du réfrigérant). Les bouteilles doivent être équipées d'une soupape de décharge et de robinets d'arrêt associés en bon état de fonctionnement. Les bouteilles de récupération vides sont évacuées et, si possible, refroidies avant la récupération.
- L'équipement de récupération doit être en bon état de fonctionnement et comporter un ensemble d'instructions concernant l'équipement disponible, et il doit être adapté à la récupération de tous les réfrigérants appropriés, y compris, le cas échéant, les **RÉFRIGÉRANTS INFLAMMABLES**. De plus, un jeu de balances calibrées doit être disponible et en bon état de fonctionnement. Les flexibles doivent être équipés de raccords rapides étanches et en bon état. Avant d'utiliser la machine de récupération, vérifier qu'elle est en bon état de fonctionnement, qu'elle a été correctement entretenue et que tous les composants électriques associés sont scellés pour éviter tout allumage en cas de libération de réfrigérant. Consulter le fabricant en cas de doute.
- Le réfrigérant récupéré doit être traité conformément à la législation locale dans la bouteille de récupération appropriée, et la note de transfert des déchets appropriée doit être préparée. Ne pas mélanger les réfrigérants dans les unités de récupération et surtout pas dans les bouteilles.
- Si les compresseurs ou les huiles de compresseur doivent être retirés, assurez-vous qu'ils ont été évacués à un niveau acceptable afin qu'il ne reste pas de **RÉFRIGÉRANT INFLAMMABLE** dans le lubrifiant. Le corps du compresseur ne doit pas être chauffé par une flamme nue ou d'autres sources d'inflammation pour accélérer ce processus. Lorsque l'huile est vidangée d'un système, cela doit être effectué en toute sécurité.

# Instructions d'installation

Questions? Composez le 844-GE4-PTAC (ou 844-434-7822) ou visitez notre site Web sur : [GEAppliances.com](http://GEAppliances.com)

## AVANT DE COMMENCER

Veillez lire ces instructions avec attention et en entier.

- **IMPORTANT** — Conservez ces instructions pour l'inspecteur local.
- **IMPORTANT** — Observez tous les codes et règlements en vigueur.
- **Note pour l'installateur** — Assurez-vous de remettre ces instructions au propriétaire.
- **Note pour le propriétaire** — Conservez ces instructions pour vous y référer ultérieurement.
- Il est de la responsabilité de l'installateur de procéder à une installation correcte.
- La garantie ne couvre pas une défaillance du produit résultant d'une installation incorrecte.

## PÉRIODE DE RODAGE DU CLIMATISEUR

**REMARQUE :** Comme pour tout mécanisme doté de pièces mobiles, cet appareil passera par une période de rodage. **APRÈS L'INSTALLATION**, cet appareil doit fonctionner pendant 48 heures pour atteindre un rendement optimal.

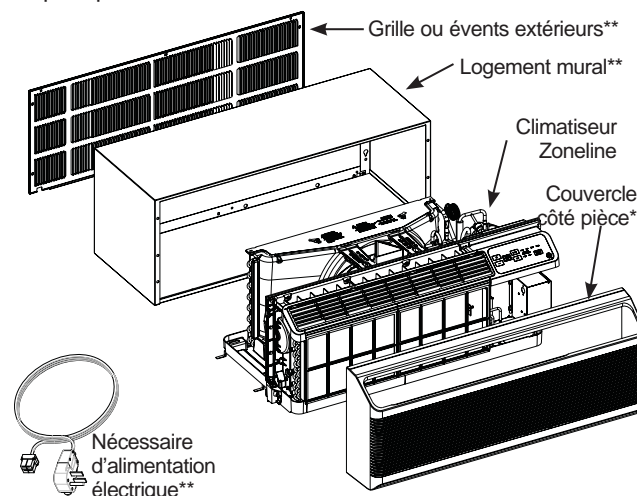
## OUTILS REQUIS



Tournevis à tête étoilée et tournevis à douille 5/16 po

## COMPOSANTS ZONELINE

L'aspect peut varier.



\* Livré avec le climatiseur Zoneline

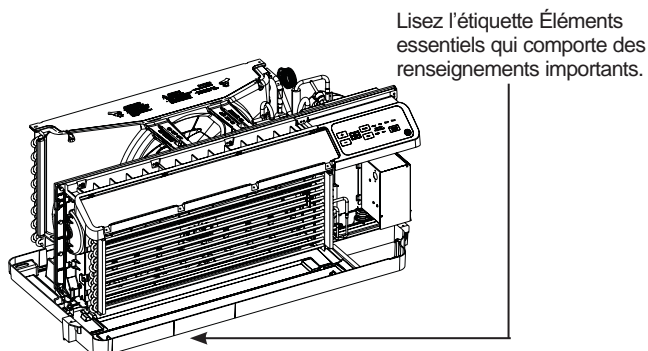
\*\* Vérifiez la liste des Éléments essentiels de l'appareil située à l'avant du plateau de fond.

## CONSIGNES DE SÉCURITÉ ÉLECTRIQUE IMPORTANTES – LIRE ATTENTIVEMENT

### ! ATTENTION

- Suivez le Code national de l'électricité (CNE) ou vos ordonnances et codes locaux.
- Pour votre sécurité personnelle, ce Zoneline doit être bien mis à la terre.
- Les appareils protecteurs (fusibles ou disjoncteurs) acceptables pour installer votre Zoneline sont indiqués sur la plaque signalétique de chaque appareil.
- N'utilisez jamais de rallonge électrique avec cet appareil.
- Les fils de bâtiment en aluminium peuvent poser des problèmes particuliers—consultez un électricien qualifié.
- Quand votre appareil est en position OFF (arrêt), il reste de la tension dans les commandes électriques.
- Débranchez le courant de votre appareil avant de l'entretenir ou de le réparer en:
  1. Enlevant le cordon d'alimentation (le cas échéant) de la prise murale. **OU**
  2. Enlevant les fusibles du circuit de dérivation ou en débranchant les disjoncteurs de dérivation au panneau.

## REEMPLACEMENT D'UN APPAREIL EXISTANT



### Utilisez le logement mural approprié

Cet appareil est conçu pour s'installer dans un logement mural en métal isolé ou en plastique de GE Appliances. Cela minimise la formation de condensation sur le côté pièce du logement.

**REMARQUE :** Plusieurs trous supplémentaires se trouvent sur les rebords latéraux de l'appareil pour l'installation de logements muraux autres que GE Appliances. Pour éviter d'endommager l'isolant aux rebords, l'installateur doit utiliser un poinçon ou un autre outil pointu pour percer l'isolant dans les trous appropriés avant de poser les vis de fixation.

### Utilisez la grille extérieure appropriée

Vous devez utiliser les grilles extérieures qui figurent sur l'étiquette Éléments essentiels située dans le plateau de fond.

- L'omission de remplacer une grille existante causera une réduction de la capacité et de l'efficacité et ainsi un possible fonctionnement incorrect ou défaillant de l'appareil. On peut utiliser la trousse de déflecteurs RAK40 avec les grilles qui n'ont pas été conçues pour votre nouveau Zoneline de GE Appliances. Le RAK40 contient des déflecteurs d'air et des joints d'étanchéité qui se montent sur l'appareil pour diriger l'air d'échappement chaud à l'écart de l'air d'admission afin de permettre le bon fonctionnement de l'appareil. **La grille doit présenter une superficie libre d'au moins 65 % (selon les calculs de l'ASHRAE).** Consultez le manuel de données d'architectes et d'ingénieurs pour de plus amples renseignements.
- Les déflecteurs verticaux d'une grille existante autre que GE Appliances doivent être retirés pour diminuer la recirculation de l'air du condensateur pouvant causer un cyclage trop court de l'appareil et mener à une défaillance prématurée des composants.

### Utilisez le cordon d'alimentation approprié

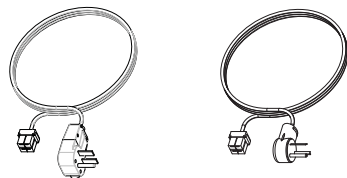
Les codes exigent l'utilisation de dispositifs de détection de défaut d'arc ou de courant de fuite sur les installations 230/208 volts

# Instructions d'installation

## OPTIONS DE RACCORDEMENT ÉLECTRIQUE 230/208 VOLTS

### RACCORDEMENT DU CORDON D'ALIMENTATION

Selon l'application, il faut utiliser une trousse de cordon d'alimentation avec dispositif LCDI (Détection et interruption de fuite de courant) pour alimenter le climatiseur Zoneline. La trousse appropriée est déterminée par la valeur du courant, la méthode de raccordement électrique et l'intensité du courant du circuit de dérivation.



Trousse de cordon d'alimentation  
(L'aspect peut varier)

Le raccordement à des circuits 208 ou 230 volts peut se faire à l'aide d'une trousse de cordon d'alimentation ou d'une trousse de boîte de jonction.

Tout le câblage, y compris l'installation de la prise, doit être conforme avec les normes, codes et règlements nationaux et locaux. Les codes exigent l'utilisation d'un dispositif de détection d'arc et de fuite de courant sur le cordon d'alimentation sauf en cas de raccordement direct. Assurez-vous de choisir le cordon approprié pour votre installation.



**Tandem**  
15 Ampères



**Perpendiculaire**  
20 Ampères



**Tandem grand**  
30 Ampères

Configuration des prises pour circuits 230/208 volts

Circuit de dérivation et appareil (ampères)	Cordon d'alimentation GE approprié avec dispositif LCDI
15	RAK315P
20	RAK320P
30	RAK330P

Les cordons d'alimentation peuvent être dotés d'un dispositif de détection et d'interruption d'arc et de fuite de courant. Un bouton de test et de réinitialisation est présent sur le boîtier de la fiche ou le boîtier en série. Le dispositif doit être vérifié régulièrement en appuyant sur le bouton TEST puis sur le bouton RESET.

### RACCORDEMENT PAR SOCLE ÉLECTRIQUE

Le raccordement des modèles 230/208 volts peut s'effectuer à l'aide d'un des socles électriques suivants :

Circuit de dérivation et appareil (ampères)	Socle électrique GE Appliances approprié
15	RAK204D15C
20	RAK204D20C
30	RAK204D30C

Les socles électriques procurent une enceinte pour le branchement direct ou les prises encastrées. Une trousse de socle électrique comprend un cordon d'alimentation.

Les instructions fournies avec la trousse de socle électrique choisie doivent être observées rigoureusement. Il est de la responsabilité de l'installateur de s'assurer que la connexion des composants s'effectue en conformité avec ces instructions et tous les codes électriques.

Lorsque vous utilisez une connexion électrique par socle, **la boîte de jonction RAK4002D est requise** pour obtenir une installation adéquate et complète.

### RACCORDEMENT DIRECT

Commandez une des trousse suivantes pour une connexion directe 230/208 volts selon le besoin :

Circuit de dérivation et appareil (ampères)	Trousse de raccordement direct
15	RAK315D
20	RAK320D
30	RAK330D

Revoyez les instructions d'installation fournies avec les trousse de connexion directe pour des directives de montage détaillées.

Lorsque vous utilisez une connexion électrique directe, **la boîte de jonction RAK4002D est requise** pour une installation adéquate et complète.

## OPTIONS DE RACCORDEMENT ÉLECTRIQUE DE 265 VOLTS

### AVERTISSEMENT

Vous DEVEZ brancher ce produit alimenté par courant alternatif de 265 volts au circuit de dérivation par branchement direct conformément au Code national d'électricité. Le Code n'autorise pas le branchement d'un appareil à une prise exposée montée sur le bâtiment.

Vous devez installer ces modèles à l'aide de la bonne trousse d'alimentation électrique GE pour l'ampérage du circuit de dérivation et la puissance du chauffage à résistance électrique désirée. Utilisez le Tableau de contact électrique, page 18, pour déterminer la bonne trousse requise. Vous devez utiliser l'une des méthodes suivantes d'installation.

### A. INSTALLATION AVEC SOCLE ÉLECTRIQUE

Des trousse de socle électrique sont offertes afin de procurer une enceinte polyvalente pour le branchement direct.

Circuit de dérivation et appareil (ampères)	Socle électrique GE Appliances approprié
15	RAK204E15C
20	RAK204E20C
30	RAK204E30C

Les instructions fournies avec la trousse de socle électrique choisie doivent être observées rigoureusement. La trousse de socle comprend le nécessaire de connexion électrique. Il est de la responsabilité de l'installateur de s'assurer que le raccordement des composants s'effectue en conformité avec ces instructions et tous les codes électriques.

### B. INSTALLATION AVEC RACCORDEMENT DIRECT

Si l'on n'utilise pas un socle électrique, un raccordement direct au câblage du circuit de dérivation à l'intérieur d'une boîte de jonction doit être réalisé en suivant les étapes suivantes.

Commandez la trousse de raccordement direct 265 volts selon le besoin :

Branch Circuit and Unit Amperage Rating	Trousse d'alimentation électrique
15	RAK515D
20	RAK520D
30	RAK530D

Consultez les instructions d'installation fournies avec les trousse de cordon d'alimentation ou de raccordement direct pour les directives de montage détaillées.

### Interrupteur de courant externe pour les appareils non équipés d'un cordon d'alimentation et d'une fiche

Un interrupteur de l'alimentation électrique doit se situer dans l'axe visuel du couvercle frontal côté pièce du climatiseur. Cet interrupteur doit être facilement accessible lorsque le climatiseur est installé dans la gaine murale. L'interrupteur ne doit pas masquer la plaque signalétique. Un interrupteur acheté localement et correctement calibré est un moyen souvent utilisé pour couper le courant.

# Instructions d'installation

## TABLEAU DE RACCORDEMENT ÉLECTRIQUE

### Raccordement par cordon d'alimentation

230/208 Volt Cordons électriques à détection de fuite de courant (1)	Configuration de la fiche murale	Dispositif de protection de circuit	Puissance de chauffage à 230/208 volts
RAK315P/SP RAK320P/SP RAK330P/SP	Tandem Perpendiculaire Tandem grand	Fusible temporisé 15 A ou disjoncteur Fusible temporisé 20 A ou disjoncteur Fusible temporisé 30 A ou disjoncteur	2,40/1,96 KW 3,40/2,78 KW 4,80/3,93 KW (Vent. haut) 3,80/3,11 KW (Vent. bas)

\*Pour une installation avec socle pour circuit 265 V, veuillez vous reporter à la Boîte A, page 19, pour la paire Socle-Trousse d'alimentation appropriée.

### Raccordements directs

Trousses d'alimentation 230/208 volts (2)	Dispositif de protection de circuit	Puissance de chauffage à 230/208 volts
RAK315D RAK320D RAK330D	Fusible temporisé 15 A ou disjoncteur Fusible temporisé 20 A ou disjoncteur Fusible temporisé 30 A ou disjoncteur	2,40/1,96 KW 3,40/2,78 KW 4,80/3,93 KW (Vent. haut) 3,80/3,11 KW (Vent. bas)

Trousses d'alimentation 265 volts (3)	Dispositif de protection de circuit	Puissance de chauffage à 265 volts
RAK515D RAK520D RAK530D	Fusible temporisé 15 A ou disjoncteur Fusible temporisé 20 A ou disjoncteur Fusible temporisé 30 A ou disjoncteur	2,40 KW 3,40 KW 4,80 KW (Vent. haut) 3,8 KW (Vent. bas)

(1) Les trousse se terminant par SP n'ont pas de dispositif de détection et d'interruption de courant de fuite (angl. LCDI) et ne peuvent donc être utilisées que dans une sous-base. Une boîte de jonction (acheté séparément) est nécessaire pour les trousse SP.

(2) Une boîte de jonction (acheté séparément) est nécessaire ces trousse.

(3) La boîte de jonction requise est préinstallée sur le châssis.

## INSTALLATION DU ZONELINE

### 1. INSTALLER LE LOGEMENT MURAL ET LA GRILLE EXTÉRIURE

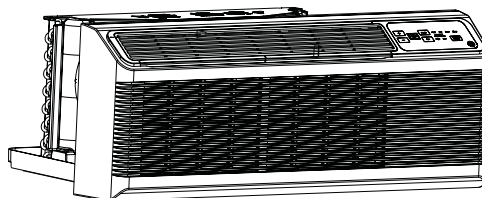
La série RAB 81/81B du logement mural RAB78 doit être correctement installée selon les instructions fournies avec la gaine.

- Assemblez le logement mural selon les instructions fournies avec la gaine. Assurez-vous que tous les pièces sont bien enclenchées ensemble.
- Fixez le panneau extérieur sur l'arrière de l'assemblage afin de protéger la maison contre les éléments.
- Installez, fixez et calfeutrez la gaine.
- Une fois le châssis prêt à être installé, retirez le panneau extérieur et installez la grille avant d'installer le châssis.
- Installez la grille extérieure à partir de la pièce selon les instructions fournies avec la grille.

**REMARQUE :** Pour une installation avec socle ou adaptateur de conduit, voyez les instructions fournies avec ces articles.

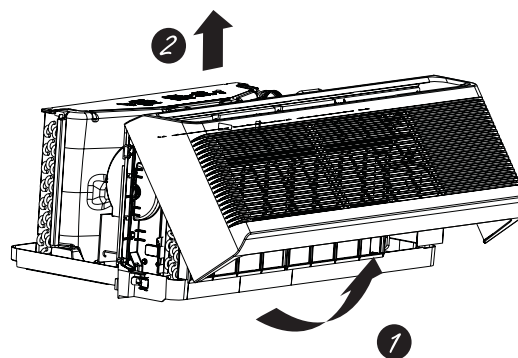
### 2. PRÉPARER L'APPAREIL

- Retirez avec soin les blocs de mousse d'emballage du devant côté pièce, du compresseur et du ventilateur extérieur. Il vous faudra probablement retirer plusieurs blocs de mousse et segments de ruban adhésif d'emballage.

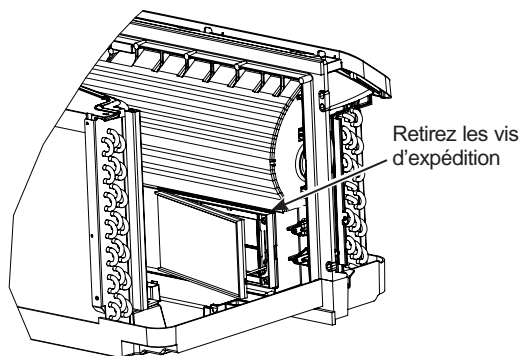


Ruban d'emballage (les positions peuvent varier)

- Retirez le couvercle côté pièce en le tirant vers l'extérieur dans le bas (1), puis soulevez-le pour le dégager du rail dans le haut de l'appareil (2).



- Retirez les vis d'expédition sur son devant, le cas échéant.



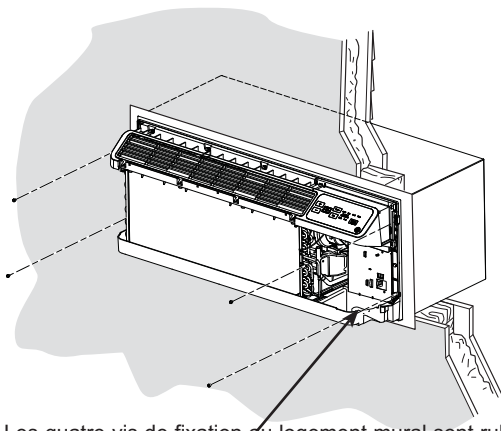
# Instructions d'installation

## INSTALLATION DU ZONELINE (suite)

### 3. INSTALLER L'APPAREIL DANS LE LOGEMENT MURAL

Glissez l'appareil dans le logement mural et posez quatre vis dans les trous du rebord de l'appareil.

Le sac scellé qui contient les quatre vis se trouve sous le panneau de commande, dans la pochette du plateau de fond.

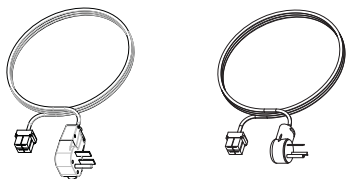


Les quatre vis de fixation au logement mural sont rubannées à la pochette devant le panneau de commande.

**REMARQUE :** Plusieurs trous supplémentaires se trouvent sur les rebords latéraux de l'appareil pour l'installation de logements muraux autres que GE Appliances. Pour éviter d'endommager l'isolant aux rebords, l'installateur doit utiliser un poinçon ou un autre outil pointu pour percer l'isolant dans les trous appropriés avant de poser les vis de fixation.

### 4. TROUSSES DE CORDON D'ALIMENTATION OU DE RACCORDEMENT DIRECT

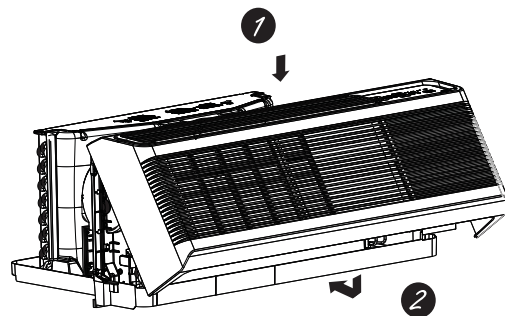
Consultez les instructions d'installation fournies avec les trousse de cordon d'alimentation ou de raccordement direct pour des directives détaillées.



Trousse de cordon d'alimentation  
(L'aspect peut varier)

### 5. REPLACER LE COUVERCLE CÔTÉ PIÈCE

Réinstallez le couvercle côté pièce en alignant et plaçant le rail supérieur du couvercle au-dessus du châssis (1), puis poussez-le dans le bas (2).



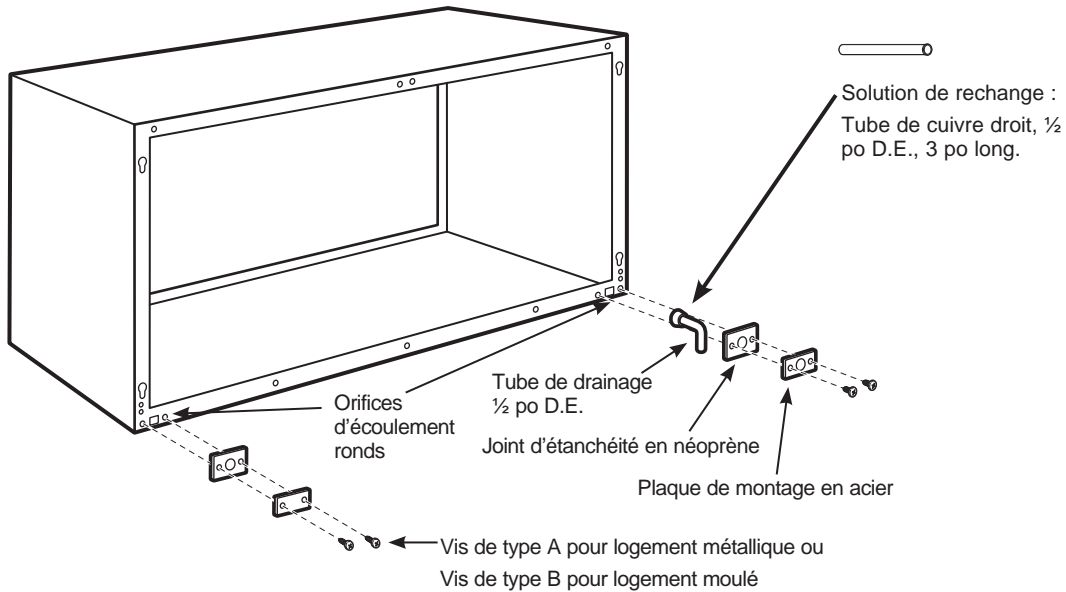


# Instructions d'installation

## FACULTATIF – INSTALLATION D'UNE TROUSSE DE DRAINAGE

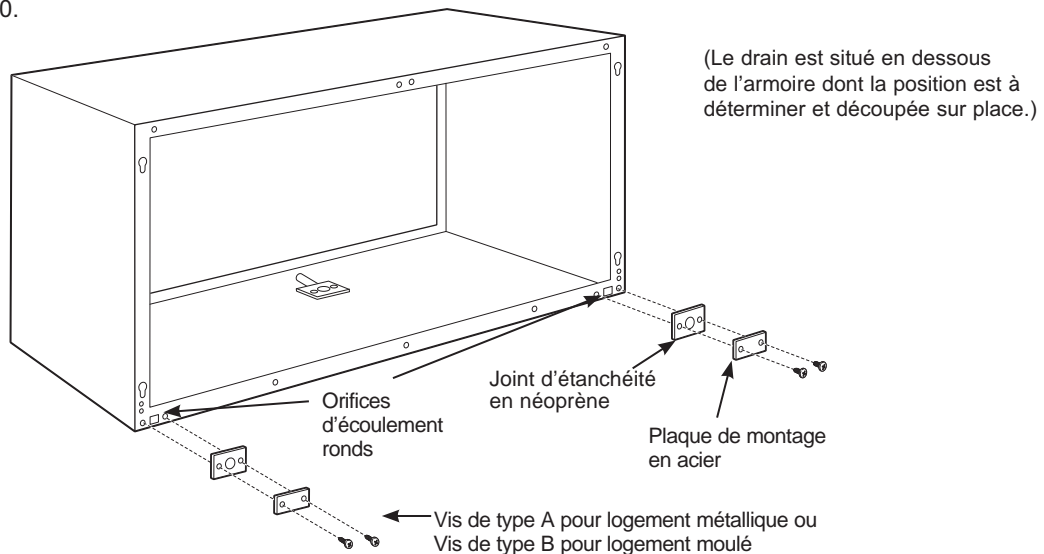
### Drain extérieur

Voir les instructions d'installation dans la trousse RAD10.



### Drain intérieur

Voir les instructions d'installation dans la trousse RAD10.



# Conseils de dépannage... avant d'appeler le service

Économisez temps et argent! Examinez d'abord les tableaux suivants, un appel de service sera peut-être inutile.

Problème	Causes possibles	Correctifs
Le Zoneline de démarre pas.	L'appareil est débranché.	Assurez-vous que la fiche du Zoneline est poussée à fond dans la prise.
	Le cordon d'alimentation n'est pas attaché solidement.	Retirez le couvercle côté pièce et assurez-vous que le connecteur à l'extrémité du cordon d'alimentation est solidement inséré.
	Le fusible est grillé ou le disjoncteur est déclenché.	Vérifiez le panneau de distribution électrique de la résidence et remplacez le fusible grillé ou réenclenchez le disjoncteur.
	L'appareil attend la réinitialisation du limiteur de surcharge du compresseur.	Cela est normal. Le Zoneline démarrera de nouveau après sa réinitialisation.
	Panne de courant.	Un délai de protection (jusqu'à 3 minutes) prévient le déclenchement du limiteur de surcharge du compresseur. C'est pourquoi il est possible que le chauffage ou la climatisation ne reprenne pas pendant 3 minutes après le rétablissement du courant.
	Le dispositif d'interruption de courant du cordon d'alimentation est déclenché.	Appuyez sur le bouton RESET (Réinitialisation) situé sur la fiche du cordon ou sur le boîtier près de la fiche.  Si le bouton RESET ne reste pas enfoncé, cessez d'utiliser le Zoneline et appelez un technicien qualifié.
La climatisation ou le chauffage du Zoneline est insuffisant.	La circulation d'air intérieur est restreinte.	Assurez-vous que l'avant du Zoneline n'est pas bloqué par des rideaux, des stores ou des meubles.
	La circulation d'air extérieur est restreinte ou recirculée	Assurez-vous que la grille arrière n'est pas bloquée. Cela pourrait provoquer l'interruption du fonctionnement de l'appareil par la protection de surcharge du compresseur.  La grille extérieure doit présenter une superficie libre d'au moins de 65 %. Les grilles d'un autre marque que GE peuvent être trop restrictives pour assurer un rendement approprié. Consultez votre vendeur si vous avez besoin d'aide.
	Le réglage de la température peut être incorrect.	Réglez la température à une valeur plus basse ou plus haute.  <b>REMARQUE</b> : La fonction de limitation de température peut restreindre la plage de température.
	Le filtre à air est sale.	Nettoyez ou remplacez le filtre au moins tous les 30 jours. Reportez-vous à la section Instructions d'utilisation.
	De l'air extérieur entre dans la pièce.	Réglez la commande de ventilation à la position fermée.  <b>REMARQUE</b> : Les modèles dotés de la ventilation d'appoint introduiront toujours une certaine quantité d'air extérieur dans la pièce.
Une odeur de brûlé est perçue au début du fonctionnement en mode chauffage.	De la poussière se trouve à la surface des éléments chauffants.	La poussière peut produire une odeur de « brûlé » au début du fonctionnement en mode chauffage. Cette odeur devrait disparaître rapidement.

# Conseils de dépannage... avant d'appeler le service

Économisez temps et argent! Examinez d'abord les tableaux suivants, un appel de service sera peut-être inutile.

Problème	Causes possibles	Correctifs
L'air n'est pas toujours chaud ou froid pendant le fonctionnement.	La thermopompe ne produit pas d'air chaud.	Ce phénomène est normal. La thermopompe produit de l'air tiède qui n'est pas aussi chaud que celui fourni par le chauffage électrique, plus coûteux à l'utilisation.
	Les commandes auxiliaires Smart Fan sont peut-être réglées pour un fonctionnement continu du ventilateur.	En continu, le ventilateur souffle de l'air à température ambiante même lorsque le compresseur ou le chauffage s'arrête. Le mouvement continu de l'air procure un meilleur contrôle global de la température en mode de refroidissement. Voyez la section Smart Fan - Cooling/Heating (Ventilateur intelligent – Froid/Chaleur) à la page 7.
L'air ne semble pas assez chaud en mode chauffage	La thermopompe seule fournit de l'air un peu moins chaud que désiré.	Utilisez la fonction de chauffage électrique. Cette fonction éteint la thermopompe et chauffe l'air au moyen d'éléments électriques seulement.  <b>REMARQUE</b> : L'utilisation de cette fonction augmente la consommation d'énergie.
L'appareil ne souffle pas d'air.	La commande auxiliaire Smart Fan (Ventilateur intelligent) est peut-être réglée pour un cyclage marche-arrêt.	Voyez la section Smart Fan - Cooling/Heating (Ventilateur intelligent – Froid/Chaleur) à la page 7.
Les fonctions de chauffage électrique et de ventilation ne fonctionnent pas.	Le cordon d'alimentation n'est pas solidement enfoncé	Retirez le couvercle côté pièce et assurez-vous que le connecteur noir à l'extrémité du cordon est solidement inséré.
L'affichage de la température clignote.	Le panneau de commande est verrouillé.	Maintenez une pression sur le bouton Show/Hide de L'ÉCRAN et maintenez-le enfoncé pendant plus de 10 secondes pour déverrouiller l'écran. Voyez la section Verrouillage du panneau de commande à la page 5.
L'appareil ne fonctionne pas après l'installation du thermostat mural distant.	Le mode 6 auxiliaire n'est pas réglé correctement.	Vérifiez que le commutateur de l'option Remote Thermostat (Thermostat distant) du mode 6 auxiliaire est à ON (Marche), voir la page 9.
	Les connexions du thermostat de l'appareil sont incorrectes.	Vérifiez que le raccordement du thermostat mural distant au connecteur du thermostat de l'appareil est correct.
	Le transformateur basse tension se réinitialise ou s'ouvre en court-circuit.	Pour réinitialiser le transformateur basse tension, débranchez l'appareil de l'alimentation, attendez 5 minutes, puis rebranchez-le
La thermopompe fonctionne avec chauffage électrique seulement durant le chauffage.	Le mode auxiliaire 8 n'est pas réglé correctement.	Assurez-vous que le mode AUX 8 n'est pas réglé sur « EH » pour le chauffage électrique seulement.

## Ces phénomènes sont normaux

### Bruits de fonctionnement normaux

- Il est possible que vous entendiez un tintement causé par les gouttes recueillies et projetées contre le condensateur par temps pluvieux ou d'humidité élevée. Cette conception améliore la déshumidification et l'efficacité de l'appareil.
- Le déclic des relais peut se faire entendre lorsque les commandes fonctionnent de façon cyclique ou lorsque vous les réglez pour modifier la température ambiante.
- Par temps pluvieux ou d'humidité élevée, de l'eau est recueillie dans le plateau de l'appareil. Celui-ci peut déborder et de l'eau peut s'écouler du côté extérieur de l'appareil.
- Le ventilateur intérieur fonctionne continuellement lorsque l'appareil est en mode de refroidissement, sauf si la commande auxiliaire Smart Fan (Ventilateur intelligent) est réglée pour fonctionner en cycles. La sélection du cycle entraîne l'alternance marche-arrêt du ventilateur parallèlement au compresseur. Vous pouvez également entendre un bruit de démarrage et d'arrêt du ventilateur. À certains moments, le ventilateur fonctionnera même si l'appareil n'est pas en mode chauffage ou refroidissement. Si le ventilateur intérieur est réglé en continu, il fonctionnera peu importe qu'il n'y ait ni chauffage ni refroidissement. À d'autres moments, le ventilateur fonctionnera plus longtemps que le cycle chauffage-refroidissement ou il démarrera à l'occasion. Cela est normal et vise à améliorer le confort et l'équilibre ambiant.
- Si l'appareil est doté d'une ventilation en air d'appoint, certains ventilateurs fonctionneront en continu.
- Vous remarquerez peut-être un délai de quelques minutes au démarrage si vous tentez de redémarrer le Zoneline trop tôt après l'avoir éteint, ou si vous réglez le thermostat immédiatement après l'arrêt du compresseur. Ce délai de 3 minutes est attribuable à un dispositif de protection intégré du compresseur.
- Pendant le cycle de dégivrage, les ventilateurs intérieur et extérieur s'arrêtent et le compresseur fonctionne en mode de refroidissement afin d'éliminer le givre sur les serpentins extérieurs.
- Pour protéger le compresseur et prévenir les cycles courts, l'appareil est conçu pour fonctionner pendant un minimum de 3 minutes après le démarrage du compresseur à n'importe quel réglage du thermostat.

# Garantie du climatiseur Zoneline de GE Appliances

Toutes les réparations sous garantie sont effectuées par nos Centres de service ou par nos réparateurs autorisés Customer Care®. Vous pouvez prendre rendez-vous en ligne sur GEAppliances.com ou en composant le 844-GE4-PTAC (ou 844-434-7822). Pour obtenir des services au Canada, communiquez avec votre entrepreneur en climatisation-chauffage local. Lorsque vous appelez, veuillez avoir les numéros de série et de modèle à portée de la main.

Pendant :	GE Appliances remplacera :
<b>Un an</b> à compter de la date d'achat d'origine	Toute pièce du climatiseur qui se révèle défectueuse en raison d'un vice de matières ou de fabrication. Au cours de cette garantie limitée d'un an, GE Appliances couvrira gratuitement les frais de main-d'œuvre et les frais de service associés pour remplacer la pièce défectueuse.
<b>Cinq ans</b> à compter de la date d'achat d'origine	Toute pièce du système frigorifique scellé (le compresseur, le condensateur, l'évaporateur et toute la tubulure de raccordement y compris le système d'air d'appoint) qui se révèle défectueuse en raison d'un vice de matières ou de fabrication. Au cours de cette garantie limitée de cinq ans, GE Appliances couvrira gratuitement les frais de main-d'œuvre et les frais de service associés pour remplacer la pièce défectueuse.
<b>La deuxième à la cinquième année</b> à compter de la date d'achat d'origine	Moteurs de ventilateur, commutateurs, thermostat, éléments chauffants, dispositifs de protection des éléments chauffants, limiteur de surcharge du compresseur, solénoïdes, circuits imprimés, commandes auxiliaires, thermistances, sentinelle de gel, commandes de givre, pompe du système interne d'élimination du condensat, condensateurs, varistances, roulements du ventilateur intérieur, si l'une quelconque de ces pièces se révèle défectueuse en raison d'un vice de matières ou de fabrication. Au cours de cette garantie supplémentaire de 4 ans, vous devrez assumer tous les frais de main-d'œuvre et de service associés.

## Ce qui n'est pas couvert :

- Toute visite à votre domicile pour vous expliquer le fonctionnement de l'appareil.
- Une installation, une livraison ou un entretien inadéquats.  
Pour tout problème d'installation, ou si le climatiseur n'assure pas une climatisation adéquate, communiquez avec votre détaillant ou votre installateur. Vous avez la responsabilité de fournir les installations appropriées pour les raccordements électriques.
- Dans les établissements commerciaux, la main-d'œuvre nécessaire pour amener l'appareil à un endroit où il pourra être accessible aux fins de réparation par un technicien.
- Les défauts ou les dommages attribuables à la corrosion causée par une installation dans un milieu contenant des produits chimiques corrosifs.
- Le remplacement des fusibles ou le réenclenchement des disjoncteurs.
- Une défectuosité attribuable à une modification du produit, une utilisation déraisonnable ou un entretien inadéquat ou négligent.
- Les défauts ou les dommages attribuables à la corrosion en raison d'une installation dans un environnement côtier, sauf dans le cas des modèles ayant subi un traitement anticorrosion appliqué à l'usine tel qu'indiqué par le numéro de modèle.
- Les dommages au produit attribuables à une alimentation électrique inadéquate, un accident, un incendie, une inondation ou un cas de force majeure.
- Tout dommage direct ou indirect à la propriété causé par une éventuelle défectuosité de ce climatiseur.
- Les dommages survenus après la livraison.
- Le produit en cas d'impossibilité d'y avoir accès pour procéder à la réparation demandée.

**EXCLUSION DE GARANTIES IMPLICITES - Votre seul et unique recours consiste dans la réparation du produit selon les dispositions de cette Garantie limitée. Toutes les garanties implicites, incluant les garanties de qualité marchande et de convenance, sont limitées à une année ou à la période la plus courte autorisée par la loi.**

Cette garantie est offerte à l'acheteur initial et à tout propriétaire subséquent d'un produit acheté en vue d'une utilisation aux États-Unis et au Canada. Si le produit est installé dans une région non desservie par un réparateur autorisé GE Appliances, vous pourriez être tenu d'assumer des frais de déplacement ou d'apporter le produit à un centre de réparation autorisé GE Appliances. En Alaska, la garantie ne couvre pas les frais d'expédition et les appels de service à votre domicile.

Dans certains États ou provinces, il est interdit d'exclure ou de limiter les dommages directs ou indirects. La présente garantie vous confère des droits juridiques spécifiques. Vous pouvez bénéficier d'autres droits qui varient d'une province ou d'un État à l'autre. Pour connaître les droits dont vous bénéficiez dans votre région, communiquez avec des relations avec les consommateurs de votre région ou encore le Procureur général de votre État.

**Garant : GE Appliances, a Haier company**

## Soutien au consommateur

---

### Site Web de GE Appliances

Vous avez une question ou vous avez besoin d'aide pour votre appareil électroménager? Visitez le site Web de GE Appliances 24 heures par jour, tous les jours de l'année! Vous pouvez aussi y trouver d'autres formidables produits GE Appliances et tirer avantage de tous nos services d'assistance en ligne. Aux États-Unis : **GEAppliances.com**  
Au Canada : **GEAppliances.ca**

---

### Enregistrez votre électroménager

Enregistrez votre nouvel appareil en ligne au moment qui vous convient le mieux! L'enregistrement de votre produit dans les délais prescrits permet une meilleure communication et un service rapide, selon les modalités de votre garantie, si besoin est. Vous pouvez également envoyer par courrier la carte d'enregistrement pré-imprimée qui se trouve dans l'emballage de votre appareil.

Aux États-Unis : **GEAppliances.com/register**

Au Canada : **Prodsupport.mabe.ca/crm/Products/ProductRegistration.aspx**

---

### Service de réparation

Un service de réparation expert GE Appliances se trouve à quelques pas de chez vous. Rendez-vous sur notre site et programmez, à votre convenance, une visite de réparation à n'importe quel jour de l'année.

Aux États-Unis : **GEAppliances.com/ge/service-and-support/service.htm** ou composez le 844.GE4.PTAC (844.434.7822) durant les heures normales de bureau.

Pour obtenir des services au Canada, communiquez avec votre entrepreneur en climatisation-chauffage local.

---

### Prolongation de garantie

Procurez-vous une prolongation de garantie GE Appliances et informez-vous des rabais spéciaux en vigueur pendant la durée de votre garantie. Vous pouvez vous la procurer en ligne en tout temps. Les services GE Appliances seront toujours disponibles après l'expiration de la garantie. Aux États-Unis :

**GEAppliances.com/ge/service-and-support/shop-for-extended-service-plans.htm** ou composez le 800.626.2224 durant les heures normales de bureau.

Au Canada : **GEAppliances.ca/en/support/purchase-extended-warranty** ou composez le 800.290.9029

---

### Connectivité à distance

Pour de l'assistance concernant la connectivité au réseau sans fil (pour les modèles équipés de cette fonction), visitez notre site Web au **GEAppliances.com/ge/connected-appliances/** ou composez le 800.220.6899 aux États-Unis seulement.

---

### Pièces et accessoires

Les personnes ayant les compétences requises pour réparer elles-mêmes leurs appareils peuvent recevoir directement à la maison des pièces ou accessoires (les cartes VISA, MasterCard et Discover sont acceptées). Commandez en ligne 24 heures par jour.

Aux États-Unis : **GEApplianceparts.com** ou par téléphone au 877.959.8688 durant les heures normales de bureau.

**Les instructions contenues dans le présent manuel comportent des procédures que tout utilisateur peut effectuer. Les autres types de réparation doivent généralement être confiés à un technicien qualifié. Utilisez de prudence : une réparation ou un entretien mal effectués peuvent rendre l'utilisation de l'appareil dangereuse.**

Les consommateurs au Canada doivent consulter les pages jaunes pour connaître le centre de service Mabe le plus proche, visiter notre site Web au **GEAppliances.ca/en/products/parts-filters-accessories** ou composer le 1.800.661.1616.

---

### Communiquez avec nous

Si vous n'êtes pas satisfait du service après-vente de GE Appliances, communiquez avec nous depuis notre site Web en fournissant tous les détails dont votre numéro de téléphone, ou écrivez à :

Aux États-Unis : General Manager, Customer Relations | GE Appliances, Appliance Park | Louisville, KY 40225  
**GEAppliances.com/ge/service-and-support/contact.htm**

Au Canada : Director, Consumer Relations, Mabe Canada Inc. | Suite 310, 1 Factory Lane | Moncton, N.B. E1C 9M3  
**GEAppliances.ca/en/contact-us**

# Notes

---

# Notes

---





Zoneline®

# ACONDICIONADOR DE AIRE

## INFORMACIÓN DE SEGURIDAD ...3

### USO DEL ZONELINE

Controles .....4  
 Para Retirar la Tapa del Acondicionador de Aire de Pared .....5  
 Dirección del Aire .....5  
 Control de la Ventilación .....5  
 Controles Auxiliares.....6  
 Termostato Remoto..... 11  
 Configuraciones WI-FI (AZV únicamente) ..... 13

### CUIDADO Y LIMPIEZA

Tapa y Caja del Acondicionador de Aire de Pared .....14  
 Bobinas Externas .....14  
 La Bandeja de la Base .....14  
 Filtro de la Ventilación .....14  
 Filtros de Aire .....15

### REQUISITOS DE FUNCIONAMIENTO .....16

### INSTRUCCIONES DE INSTALACIÓN

Preparación .....22  
 Reemplazo de una Unidad Existente ... .23  
 Conexión Eléctrica..... 24  
 Instalación del Zoneline .....27  
 Kit de Drenaje Opcional ..... 29

### CONSEJOS PARA LA SOLUCIÓN DE PROBLEMAS..... 30

Sonidos Normales de Funcionamiento... .32

### SOPORTE AL CLIENTE

Garantía .....33  
 Soporte al Cliente ..... 34

## MANUAL DEL PROPIETARIO

AZE  
AZH  
AZV

Escriba los números de modelo y de serie aquí:

Nº de Modelo \_\_\_\_\_

Nº de Serie \_\_\_\_\_

Encontrar estos números en una etiqueta detrás de la cubierta en la habitación bandeja de la base.

## **GRACIAS POR HACER QUE GE APPLIANCES SEA PARTE DE SU HOGAR.**

---

Ya sea que haya crecido usando GE Appliances, o que ésta es su primera vez, nos complace tenerlo en la familia.

Sentimos orgullo por el nivel de arte, innovación y diseño de cada uno de los electrodomésticos de GE Appliances, y creemos que usted también. Entre otras cosas, el registro de su electrodoméstico asegura que podamos entregarle información importante del producto y detalles de la garantía cuando los necesite.

Registre su electrodoméstico GE ahora a través de Internet. Sitios Web y números telefónicos útiles están disponibles en la sección de Soporte para el Consumidor de este Manual del Propietario.

También puede enviar una carta en la tarjeta de inscripción preimpresa que se incluye con el material embalado.



**GE APPLIANCES**

# INFORMACIÓN IMPORTANTE DE SEGURIDAD

## LEA TODAS LAS INSTRUCCIONES ANTES DE USAR



### ADVERTENCIA

Para su seguridad, se debe seguir la información de este manual para minimizar el riesgo de incendio o explosión, descargas eléctricas, o para evitar daños a la propiedad, lesiones personales o la muerte.

### PRECAUCIONES DE SEGURIDAD

- Antes de iniciar su uso, el acondicionador de aire Zonline debe instalarse correctamente según las Instrucciones de instalación. Ver las Instrucciones de instalación en la parte trasera de este manual.
- Reemplace inmediatamente todos los cables eléctricos que se haya pelado o que se hayan dañado de alguna otra manera. Un cable de corriente dañado no debe repararse, sino que debe ser sustituido por uno nuevo que se adquiera del fabricante. No use un cable eléctrico que muestre evidencias de deterioro o daños de abrasión en su superficie o en cualquiera de sus enchufes o extremos.
- Desenchufe o desconecte el Zonline desde la caja de fusibles o el disyuntor antes de realizar cualquier tipo de reparación.

**NOTA:** Recomendamos enérgicamente que cualquier servicio llevado a cabo en este equipo lo realice un individuo calificado.

- Los sistemas de acondicionador de aire R454B requieren que los contratistas y técnicos utilicen herramientas, equipamiento y normas de seguridad aprobadas para su uso con este refrigerante.  
**NO utilice equipamiento certificado sólo para refrigerante R22.**
- Esta unidad no se deberá instalar en un lavadero.
- Se deberá supervisar a los niños para asegurar que no se juegue con el electrodoméstico.
- Aquellos electrodomésticos que obviamente se encuentran dañados no deberán ser usados.
- Para los modelos PTAC (Acondicionador de Aire de Paquete Terminal) con inversor (AZV) espere 10 minutos luego de desconectar la unidad de la corriente antes de limpiar el filtro de la puerta de ventilación y de manipular/ realizar el servicio técnico del tablero del circuito del inversor.

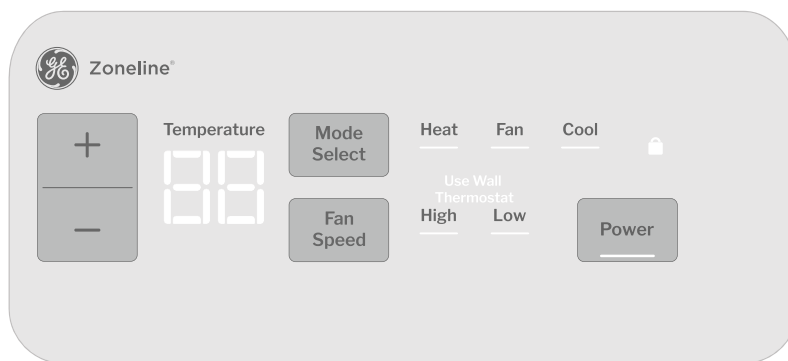
#### ¿Desea reemplazar una unidad ya instalada?

Para más detalles, ver las Instrucciones de instalación en este manual.

Este electrodoméstico no deberá ser usado por personas (incluyendo niños) con capacidades físicas, sensoriales o mentales reducidas o con falta de experiencia y conocimiento, a menos que cuenten con supervisión o instrucción en relación al uso de este electrodoméstico por parte de una persona responsable de su seguridad.

## LEA Y GUARDE ESTAS INSTRUCCIONES

# Controles



## Control de Temperatura

El control de temperatura se usa para mantener la temperatura del ambiente. El sistema realizará el ciclo de encendido y apagado para mantener la habitación al mismo nivel de confort.

Presione la tecla + para elevar la temperatura.

Presione la tecla - para reducir la temperatura.

**NOTA:** La pantalla muestra la temperatura configurada, y no la temperatura ambiente.

## Control del Ventilador, Modo y Funcionamiento

**VENTILADOR** – Configura el funcionamiento del ventilador en HIGH (Alto) o LOW (Bajo).

**MODE – COOL** (Refrescar) – Para refrigerar

**FAN** (Ventilador) – Para el funcionamiento del ventilador únicamente

**HEAT** (Calefaccionar) – Para calefaccionar

**ENCENDIDO:** Enciende y Apaga la unidad. La corriente permanece conectada al zoneline. El Freeze/ Heat Sentinel (Centinela de Congelación/ Calor), ventilador constante, centinela de humedad, aire de reposición, y las funciones de descongelación aún funcionarán si se encuentran activas. Consulte sobre Freeze/Heat Sentinel (Centinela de Frio/ Calor) en la página 9.

## Acerca de la Bomba de Calor (AZH y AZV únicamente)

Las bombas de calor permiten ahorrar dinero al capturar el calor del aire exterior – incluso cuando la temperatura externa esté por debajo de helada – y liberando ese calor hacia el área interna.

Para acceder al mejor rendimiento de la energía desde la bomba de calor, no cambie el termostato del ambiente a más de un grado por vez. Elevar la configuración de calor en 2 o 3 grados hará que el Zoneline use sus elementos de calefacción eléctrica, a fin de alcanzar la nueva configuración de temperatura rápidamente.

Los elementos de calefacción eléctrica usan más electricidad que las bombas de calor y tienen un mayor costo de funcionamiento.

Existe un tiempo de funcionamiento mínimo del compresor de 3 minutos en cualquier configuración para evitar ciclos cortos.

El ventilador se inicia antes que el compresor y se detiene una vez que el compresor deja de realizar ciclos.

**USE EL TERMOSTATO DE PARED** — Esta luz LED se iluminará cuando la unidad sea controlada por un termostato de pared. Para más detalles, consulte la página 8.

## Bloqueo del Control

El panel de control se podrá bloquear para impedir que los usuarios cambien el modo de funcionamiento de la unidad.

Mientras la unidad se encuentra en el modo de funcionamiento deseado, mantenga presionados los botones MODE (Modo) y POWER (Encendido) durante 3 segundos y RELEASE (Liberar) para bloquear el control y las configuraciones deseadas.

Cuando se bloquee, el indicador LED bloqueado se iluminará.

Para desbloquear la función de bloqueo del control y reiniciar el funcionamiento normal, mantenga presionados los botones MODE (Modo) y POWER (Encendido) durante 3 segundos y RELEASE (Liberar).

**Para todos los modelos AZH y aquellos modelos AZV equipados con Retiro de Condensados del Interior**, cuando se determine que la temperatura exterior es inferior a 25°F, el calor será provisto por el calefactor eléctrico en lugar de la bomba de calor. Cuando la temperatura exterior sea inferior a 25°F, la función de refrigeración se bloqueará. El funcionamiento se reiniciará cuando la temperatura exterior sea superior a 32°F.

**En los modelos AZV no equipados con Retiro de Condensados del Interior**, cuando la temperatura exterior sea inferior a 0°F, el calor será provisto por el calefactor eléctrico en lugar de la bomba de calor. Cuando la temperatura exterior sea inferior a 0°F, el funcionamiento de la refrigeración estará bloqueado. El funcionamiento de la Bomba de Calor y de la Refrigeración se reiniciará cuando la temperatura exterior sea superior a 5°F.

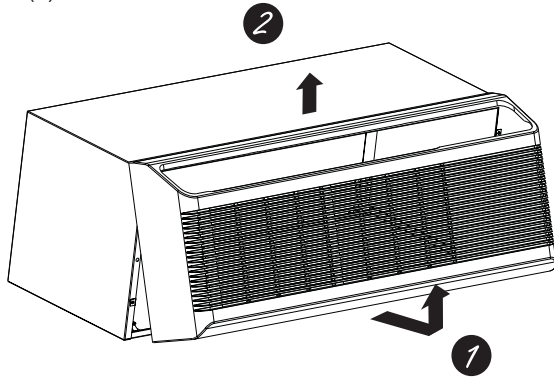
# Uso del Zoneline

## Para Retirar el Frente del Acondicionador de Aire de Pared

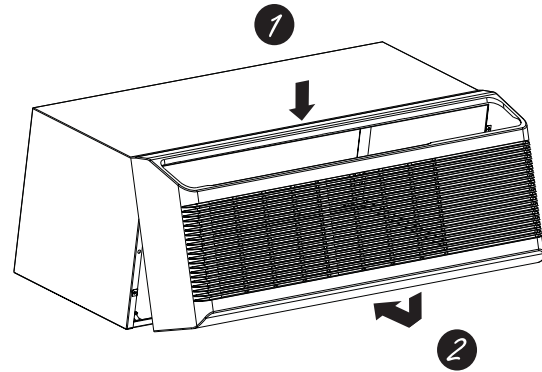
Los controles adicionales están ubicados detrás de la tapa del acondicionador de aire de pared.

Advertencia: No retire la tapa frontal. Ésta sólo deberá ser retirada para la instalación o si es necesario el servicio técnico.

**Para retirar:** Empuje hacia usted desde la parte inferior para liberarlo de las lengüetas de sujeción laterales (1). Luego levante (2).

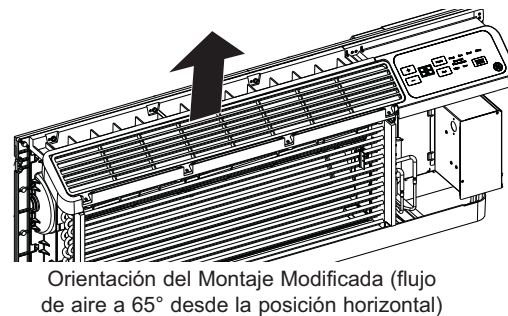
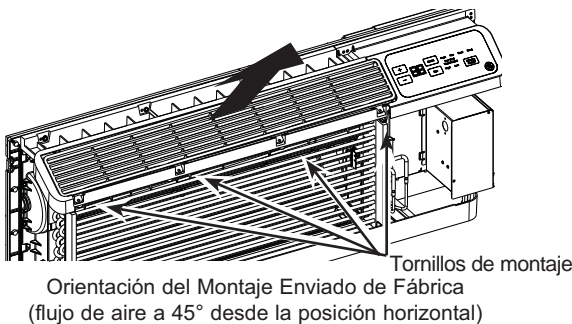


**Para reemplazar:** Alinee y coloque el riel superior de la tapa del acondicionador de aire de pared sobre el chasis (1). Presione hacia adentro en la parte inferior hasta que calce en su posición (2).



## Dirección del Aire

A fin de cambiar la dirección del aire, retire la tapa del acondicionador de aire de pared. Retire los 4 tornillos de montaje que sostienen la inserción del montaje en su posición. Rote el montaje 180°, reinstale y reemplace los tornillos y la tapa del acondicionador de aire de pared.



## Control de Ventilación\*

**NOTA:** Los dos tornillos enviados deben ser retirados de la puerta de la ventilación antes del uso. Consulte las Instrucciones de Instalación en el reverso de este manual.

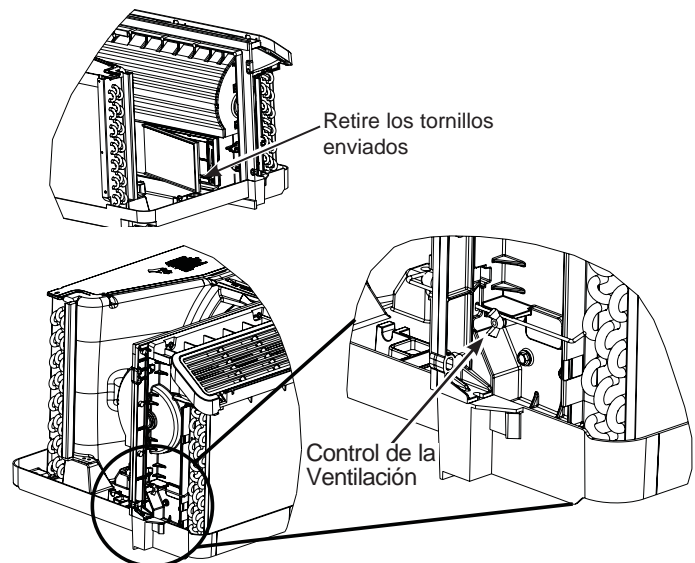
La palanca del control de ventilación está ubicada del lado inferior izquierdo de la unidad del Zoneline, detrás de la tapa del acondicionador de aire de pared. La posición de la palanca puede ser ajustada con la tuerca mariposa.

Cuando se configure en la posición cerrada, sólo el aire dentro de la habitación se hará circular y será filtrado.

Cuando esté configurado en una posición abierta, una parte del aire externo será dirigida hacia adentro de la habitación. Esto reducirá la eficiencia de la calefacción y refrigeración.

Consejo Energético: Mantenga el control de ventilación en la posición cerrada, a fin de evitar la entrada de aire no acondicionado a la habitación.

\* No en Unidades con Módulos de Reposición de Aire.



# Controles auxiliares del Zoneline

## Controles Auxiliares – Botón de Configuración Auxiliar

Mientras que la unidad se encuentra preconfigurada de acuerdo con la preferencia de la mayoría de los clientes, la misma cuenta con controles auxiliares ubicados detrás de la tapa de la sala, debajo del panel de control.

Retire la tapa de la sala. Consulte la sección de Retiro de la Parte Frontal de la Sala, en la página 5.

Si el propietario modifica los controles auxiliares, es entonces responsabilidad del propietario asegurar que los mismos se encuentren configurados en relación al funcionamiento deseado. Existen modos/ funciones múltiples que se pueden ajustar usando el botón de configuración auxiliar.

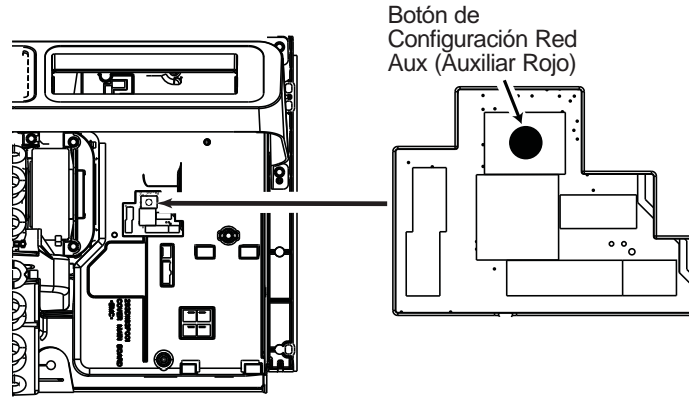
Para cambiar los parámetros de funcionamiento o configuración, presione el botón **AUX** en cualquier momento. Se visualizará "A1" en la pantalla.

Presione **+** o **-** para realizar incrementos a través de los Menús de configuración Aux (A1, A2, etc.). Heat / Cool (Calentar/ Enfriar) no se iluminarán.

Presione el botón **FAN** (Ventilador) para ingresar al Menú de Configuración Aux seleccionado. Luego, presione **+** o **-** para cambiar la configuración. Algunas configuraciones usarán el botón **MODE** (Modo) para selecciones adicionales.

Presione el botón **FAN** (Ventilador) para salir del menú de Configuración Aux actual y para regresar a la lista del Menú Aux. Las configuraciones se aplican al presionar el botón FAN (Ventilador).

Presione el botón rojo **AUX** para salir del menú de configuraciones AUX y para regresar al funcionamiento normal.



### **AUX A1** Refrescar/ Calefaccionar con Ventilador Inteligente

Use **+** o **-** para navegar hasta la Configuración A1 AUX, e ingrese al menú con el botón **FAN** (Ventilador). La luz **COOL LED** (Led de Refrigeración) sobre el control principal estará encendida y cualquier cambio que se haga usando **+** o **-** afectará el funcionamiento de la unidad durante el modo de refrigeración. Para ajustar las configuraciones del modo de calefacción, vuelva a presionar **MODE** (Modo). La luz **HEAT LED** (Led de Calefacción) sobre el control principal estará encendida y cualquier cambio que se haga usando **+** o **-** afectará el funcionamiento de la unidad durante el modo de calefacción.

Si se desea configurar el ventilador interior para que realice ciclos de encendido y apagado en los modos de calefacción o refrigeración, presione los botones **+** o **-** para seleccionar "Cy".

Si se desea configurar el ventilador interior para que funcione de forma continua en los modos de calefacción o refrigeración, presione los botones **+** o **-** para seleccionar "Co".

Presione el botón **FAN** (Ventilador) o **MODE** (Modo) para confirmar la selección.

La configuración por omisión para el Modo 1 es la siguiente:  
 Refrigeración: Continuo (Co)  
 Calefacción: Ciclo (CY)

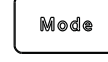
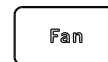
**\*Nota:** En el funcionamiento por ciclos, el ventilador interior se activará ocasionalmente para verificar la temperatura del aire de la sala (no aplicable en el funcionamiento con termostato con conexión de 2 vías). Si se usará un termostato exterior de 24V, estas configuraciones no se aplican.



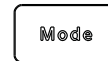
Cool



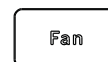
Cool



Heat



Heat



# Controles auxiliares del Zoneline

## AUX A2 Fahrenheit / Celsius

Esta función le permite al individuo cambiar las unidades de temperatura entre Fahrenheit y Celsius en la pantalla.

Use + o – para navegar hasta la Configuración A2 AUX, e ingrese al menú con el botón **FAN** (Ventilador).

Use + o – para navegar hasta la selección de Celsius o Fahrenheit.

El individuo verá una F para Fahrenheit or una C para Celsius en el segundo dígito de la pantalla en base a la selección.

La configuración por omisión para el Modo 2 es en Fahrenheit.



## AUX A3 Centinela de Congelación/ Centinela de Calefacción

Con la unidad encendida y **Freeze Sentinel** activado, la unidad brinda automáticamente calor sin la interface de usuario.

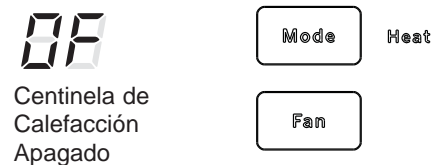
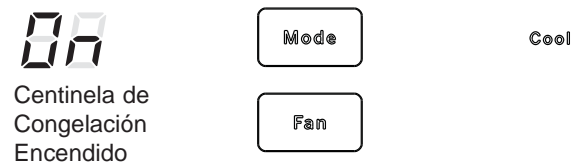
Esto evita posibles daños sobre la plomería al detectar condiciones de mucho frío en la sala interior e intentar elevar la temperatura de la sala a 46°F a través del funcionamiento de la bomba de calor y/o del calor con la resistencia.

Con la unidad conectada a la corriente y el Centinela de Calefacción activado, la unidad brinda automáticamente frío sin la interface de usuario. Esto evita que en la sala haya calor excesivo haciendo que el acondicionador de aire reduzca la temperatura interior de la sala a 80°F.

Use + o – para navegar hasta la Configuración A3 AUX, e ingrese al menú con el botón **FAN** (Ventilador). La luz COOL LED (LED Frío) en el control principal se encenderá en el modo Freeze Sentinel (Centinela de Refrigeración). Presione **MODE** (Modo) nuevamente para pasar a Heat Sentinel (Centinela de Calor). La luz LED de **HEAT** (Calor) estará encendida. Presione los botones + o – para realizar ciclos entre **ON** "On" (Encendido) y **OFF** "OF" (Apagado). Presione el botón **FAN** (Ventilador) o **MODE** (Modo) para bloquear la selección.

En la configuración por omisión para el Modo 3, el **Heat Sentinel** está apagado, y el **Freeze Sentinel** está encendido.

**NOTA:** Si estas funciones están activadas, entonces continuarán estando activas siempre que la unidad se enchufe, incluso aunque la unidad se apague.



## AUX A4 Ventilador Constante Encendido

Use + o – para navegar hasta la Configuración A4 AUX, e ingrese al menú con el botón **FAN**.

Presione los botones + o – para realizar ciclos entre **ON** "On" y **OFF** "OF".

Presione el botón **FAN** para bloquear la selección.

**Nota:** Esto hace que el ventilador funcione de forma continua incluso cuando la unidad se encuentre apagada.

La configuración por omisión para el Modo A4 está en **OFF**.



## Controles auxiliares del Zoneline

### AUX A5 Limitación de Temperatura

La limitación de temperatura es una función que reduce los costos de energía, limitando la temperatura más baja que se pueda obtener en la refrigeración y la temperatura más alta que se pueda obtener en la calefacción.

Use + o – para navegar hasta la Configuración **A5 AUX**, e ingrese al menú con el botón **FAN** (Ventilador). En el modo de refrigeración, se iluminará la luz **COOL LED** (LED de Frío) en el control principal. La luz **COOL LED** (LED de Refrescar) del control principal estará encendida. Para cambiar el modo de calefacción, presione **MODE** (Modo) nuevamente y la luz **HEAT LED** del control principal se encenderá.

Para configurar el límite de temperatura mínima de refrigeración o el límite de temperatura máxima de calefacción, presione los botones + o –. Los valores aparecerán en Celsius o Fahrenheit dependiendo de la selección **AUX** de la configuración **AUX** de A2. Presione el botón **FAN** (Ventilador) o **MODE** (Modo) para bloquear la selección.

La configuración por omisión para AUX A5:

- **Cool:** 66 a 85 F (19 a 29 C)
- **Heat:** 60 a 78 F (15 a 25 C)

66

Mode Cool

Fan Low

Limitación de Temperatura Fresca

78

Mode Heat

Fan High

Limitación de Temperatura de Calefacción

### AUX A6 Use el Termostato de Pared

Configurar este modo en ON (Encendido) permitirá que la unidad funcione con un Termostato de Pared a Control Remoto Clase 2.

Use + o – para navegar hasta la Configuración A6 AUX, e ingrese al menú con el botón **FAN** (Ventilador).

La configuración por omisión para el Modo 6 está en OFF (Apagada).

Presione los botones + o – para realizar ciclos entre **ON** “On” (Encendido) y **OFF** “OF” (Apagado). Presione el botón **FAN** (Ventilador) o **MODE** (Modo) para bloquear la selección.

Cuando el modo Class 2 (Clase 2) esté activo, la pantalla mostrará “Usar Termostato de Pared” cuando cualquier tecla sea presionada.

Cuando se conecte el termostato de 2 vías, la unidad configurará automáticamente A6 en “OF” (Apagado) para permitir el control del termostato de 2 vías.

0F

Clase 2 APAGADO –  
Control Local/ 2 Vías

0A

Clase 2 ENCENDIDO  
(Control Remoto del  
Termostato Estándar de 24v)

### AUX A7 Modo de Configuración de Fan Boost (Ventilador Aumentado)

Esta configuración se usa para incrementar la circulación de aire desde la unidad con el fin de asegurar una circulación apropiada.

Use + o – para navegar hasta la Configuración A7 AUX, e ingrese al menú con el botón **FAN** (Ventilador).

Presione los botones + o – para realizar ciclos entre **ON** “On” (Encendido) y **OFF** “OF” (Apagado). Presione el botón **FAN** (Ventilador) para bloquear la selección.

La configuración por omisión para el Modo A7 está en OFF (Apagado).

0F

Ventilación  
Aumentada  
APAGADA

0A

Ventilación  
Aumentada  
ENCENDIDA

### AUX A8 Selector de Modo de Calor (AZH y AZV únicamente)

Esta configuración se usa para limitar los modos de calefacción en los cuales la unidad podrá funcionar.

Use + o – para navegar hasta la Configuración A8 AUX, e ingrese al menú con el botón **FAN**.

Presione los botones + o – para realizar ciclos entre:

- **EH:** Calor Eléctrico únicamente (La unidad brinda Sólo Calor Eléctrico, a menos que falle).
- **Hd:** Alta Demanda (AZH sólo usará la Bomba de Calor Aumentado, y AZV usará una velocidad incrementada del compresor. A menos que falle).
- **HY:** Híbrido (Por omisión. La unidad podrá brindar calor a través de todos los modos disponibles).

- **Bo:** Boost HP (Bomba de Calor Aumentada) (Usará Boost Heat Pump (Bomba de Calor Aumentado) o normal Heat Pump (Bomba de Calor normal)). La unidad no usará calor eléctrico. (A menos que falle).

- **HP:** Bomba de Calor Únicamente (La unidad no usará calor eléctrico. A menos que falle).

Presione el botón **FAN** para bloquear la selección.

La configuración por omisión para el Modo A8 es Híbrido “HY”.

EH

Chauffage  
électrique  
seulement

Hd

Forte  
demande

HY

Hybride

Bo

Bomba  
de Calor  
Aumentada

HP

Thermopompe  
seulement



# Controles auxiliares del Zoneline

## AUX A9 Anular Falla de Calor (AZH y AZV únicamente)

Esta configuración se usa para limitar aún más los modos de calor en los cuales la unidad podrá funcionar, dependiendo de cuál configuración AUX esté configurada en A8.

**A9 sólo estará visible** si Boost Heat Pump “Bo” (Bomba de Calor Aumentado) o Heat Pump Only “HP” (Bomba de Calor Únicamente) son seleccionados en Aux A8.

Use + o – para navegar hasta la Configuración A9 AUX, e ingrese al menú con el botón **FAN** (Ventilador).

Presione los botones + o – para realizar ciclos entre **ON** “On” (Encendido) y **OFF** “OF” (Apagado). Presione el botón **FAN**

para bloquear la selección.

**ON** permite un control de funcionamiento estricto del calor. **OFF** le permite a la unidad anular la sección **AUX**. A8, si el funcionamiento de la bomba de calor no está permitido.

La configuración por omisión para el Modo A9 está en **OFF**.

Anulación de Falla de Calor APAGADA

Anulación de Falla de Calor ENCENDIDA

## AUX B1 Velocidad del Ventilador del Módulo de Aire de Reposición Digital (Disponible sólo en Modelos de Aire de Reposición)

El sistema de ventilación con aire de reposición fue diseñado para brindar aire exterior de forma continua, a través de la puerta de ventilación y en la sala. Además de brindar aire fresco, la unidad deshumidificará la sala cuando la humedad relativa sea superior al 50% en la sala interior.

Use + o – para navegar hasta la Configuración B1 AUX, e ingrese al menú con el botón **FAN** (Ventilador).

Presione los botones + o – para realizar ciclos entre el valor en CFM (Pies Cúbicos por Minuto) u OFF “OF” (Apagado).

Presione el botón **FAN** para bloquear la selección.

La configuración por omisión para el Modo Aux. B1 es de 35 CFM.

**Nota:** Apagar el ventilador también cierra la puerta del conducto de la MUA (Reposición de Aire).

35 CFM

MUA Off

## AUX B2 Configuraciones del Filtro de Aire de Reposición

Use + o – para navegar hasta la Configuración B2 AUX, e ingrese al menú con el botón **FAN** (Ventilador).

Presione los botones + o – para realizar ciclos entre:

- Sin Filtro “no”: Sin filtro de reposición de aire instalado.
- Filtro Merv 13 “13”: Filtro MERV 13 instalado.

Presione el botón **FAN** para bloquear la selección.

La configuración por omisión para el Modo Aux B2 es sin filtro.

Sin Filtro

Filtro MERV 13

## AUX B3 Ocupación del Módulo de Aire de Reposición Digital

Use + o – para navegar hasta la Configuración B3 AUX, e ingrese al menú con el botón **FAN** (Ventilador).

Presione los botones + o – para realizar ciclos entre **ON** “On” (Encendido) u **OFF** “OF” (Apagado).

- **ON** (Encendido): La MUA (Reposición de Aire) está controlada por un sensor de ocupación con termostato de 2 vías o por una Entrada Auxiliar de 24V, si C1 está configurado en “Oc”.

- **OFF** (Apagado): El aire de reposición funciona continuamente.

Presione el botón **FAN** para bloquear la selección.

La configuración por omisión para el Modo Aux B3 está en **OFF** (Apagado).

## AUX B4 Control de Deshumidificación (Centinela de Humedad)

Use + o – para navegar hasta la Configuración B4 AUX, e ingrese al menú con el botón **FAN** (Ventilador).

Presione los botones + o – para realizar ciclos entre:

- **LOW** “Lo” (Bajo): Objetivo 50% RH
- **Estándar** “Sd”: Objetivo 50% RH, sin más deshumidificación agresiva por encima del 70%
- **Alto** “Hi”: Objetivo 50% RH, sin más deshumidificación agresiva por encima del 60%
- **OFF** “OF” (Apagado): Sin deshumidificación adicional.

Presione el botón **FAN** para bloquear la selección.

La configuración por omisión para el Modo **AUX B4** está en **OFF** (Apagado).

Apagado

Bajo

Estándar

Alto

# Controles auxiliares del Zoneline

## AUX B5 Control UVC (disponible sólo en modelos equipados con UVC)

Use + o – para navegar hasta la Configuración **B5 AUX**, e ingrese al menú con el botón **FAN** (Ventilador).

Presione los botones + o – para realizar ciclos entre **ON** “On” (Encendido) u **OFF** “OF” (Apagado).

**ON** (Encendido): El módulo UVC opera cuando el ventilador de la unidad está en funcionamiento.

**OFF** (Apagado): El módulo UVC no opera.

Presione el botón **FAN** para bloquear la selección.

La configuración por omisión para el Modo **AUX B5** está en **OFF** (Apagado).

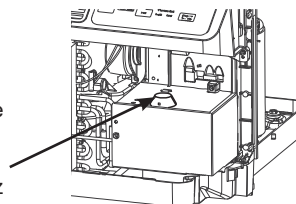
La radiación UVC, incluso aunque sea en pequeñas dosis, puede causar daños en los ojos y la piel.

El uso no intencional de este electrodoméstico o cualquier daño sobre el espacio de protección del UVC podrá generar un espacio de radiación UVC.

No use los bombillos del UVC fuera del electrodoméstico.

Desenchufe o desconecte el Zoneline desde la caja de fusibles o disyuntor antes de limpiar o hacer cualquier reparación de los componentes del UVC.

Los componentes de reemplazo del UVC (Ensamble de Corte del Ventilador del **UVC- WP01X34553**; Ensamble de la Caja de Empalmes del **UVC- WP76X34554**) están disponibles a través de su vendedor, minorista de GE, Centro de Servicio y Partes de **GE Appliances**, o de los Proveedores autorizados del Customer Care®.



El indicador LED sobre la parte superior de la caja de empalmes se iluminará cuando la luz del UVC se encuentre activa

## AUX C1 Configuración de la Entrada Auxiliar de 24V

Se brinda una entrada auxiliar de 24V para permitir la integración con los dispositivos exteriores tales como interruptores de puerta, sensores de ocupación, o control desde una ubicación remota. El funcionamiento de la función requiere que el interruptor **ON-OFF** (Encendido-Apagado) en la ubicación remota se encuentre cableado a las dos terminales con Entrada Auxiliar del panel de control del Zoneline, usando el Accesorio **RAKCDC**. Para configurar la entrada:

Ingrese al menú **AUX** presionando el botón rojo **AUX** (Auxiliar).

Use + o – para navegar hasta la Configuración **C1 AUX**, e ingrese al menú con el botón **FAN** (Ventilador).

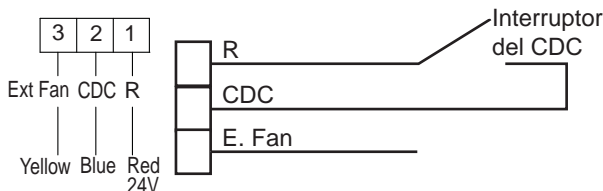
Presione los botones + o – para realizar ciclos entre:

### Control de la Mesa Central “Cd”:

- Si el contacto está cerrado, la unidad ignora la entrada desde los termostatos exteriores o la entrada del usuario. Los modos de centinela aún funcionan.
- Si los contactos están abiertos, la unidad funcionará normalmente.

### Control de Ocupación “Oc”:

- Si los contactos están cerrados y no se encuentra conectado un termostato de 2 vías, la unidad pasará a un estado sin ocupación. Si AUX b2 está configurado en On (Encendido), el Funcionamiento con Aire de Reposición se desactivará.
- Si los contactos están abiertos, la unidad entrará en un estado de ocupación.



# Controles auxiliares del Zoneline

## Controles Auxiliares – Conexiones de la Terminal

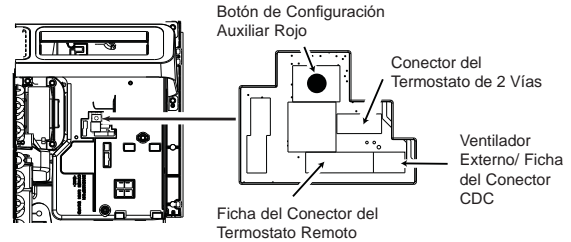
Las conexiones terminales del control auxiliar se encuentran ubicadas detrás de la tapa de la sala, debajo de los controles de la unidad.

1. Apague y desenchufe la unidad.
2. Retire la tapa del acondicionador de aire de pared. Consulte la sección Para Retirar la Tapa del Acondicionador de Aire de Pared.
3. Para realizar conexiones de cables, inserte los conectores en las terminales correspondientes de la caja de control.
4. Una vez realizadas todas las conexiones deseadas, vuelva a colocar la tapa de la sala.

El propietario es responsable de realizar todas las conexiones y de configurar el modos AUX SET (Configuración Auxiliar) adecuado.

### AVISO:

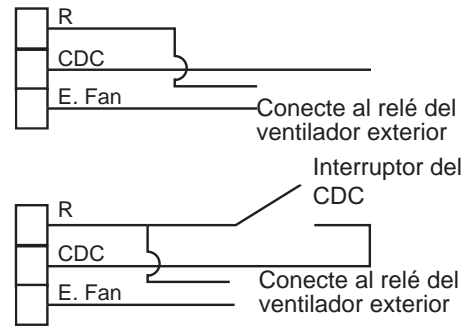
Un cableado incorrecto podrá dañar las piezas electrónicas del Zoneline. No se permite un transporte común. Se podrán producir daños o un funcionamiento errático. Un par de cables aparte se deberán instalar desde cada interruptor de control separado hasta cada Zoneline individual.



## Ventilador Externo (Instalados en Campo)

Cuando se encuentre conectado, un ventilador auxiliar o externo se podrá controlar al mismo tiempo que el motor del ventilador interior del Zoneline. Las conexiones brindan 24 VAC para alimentar un relé remoto.

Para activar esta función, se deberán instalar un tablero de control WP26X34616 y un accesorio RAKCDC.



## Termostato Remoto (Suministrado con el Producto)

El Conector del Termostato Remoto del Kit RAKTK8PA1\* es necesario para permitir el uso de un termostato de pared remoto en lugar de los controles de la unidad del Zoneline.

Cuando se conecte a un termostato remoto, el sensor de temperatura de aire interno se pasa desde la unidad al termostato remoto. Por esta razón, las unidades funcionarán de forma levemente diferente cuando se conecten a un termostato remoto. El siguiente cuadro muestra el funcionamiento de la unidad cuando está conectada a un termostato remoto.

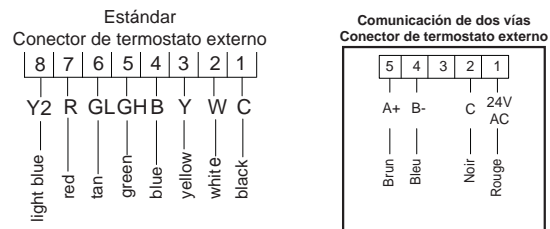
**IMPORTANTE:** Las conexiones del termostato del Zoneline brindan 24 V AC únicamente.

Si usará un termostato de pared digital/ electrónico, deberá configurarlo en el ajuste de 24 V AC. Consulte las Instrucciones de Instalación para el termostato de pared.

### AVISO:

Daños sobre un termostato de pared o las piezas electrónicas del Zoneline pueden provocar conexiones inadecuadas. Se deberá tener especial cuidado al conectar los cables. No se deberán realizar conexiones de la línea de voltaje en ningún circuito. Aisle todos los cables del edificio de la línea de voltaje.

- **Nota:** En caso de faltar cualquiera de los conectores, usted podrá ordenar la pieza n° WJ26X28997 de GE Appliances.



## Controles auxiliares del Zoneline

Active las funciones de la UNIDAD al usar un termostato remoto			
Función	AZE	AZH	AZV
Control de Congelación Interior	Sí	Sí	Sí
Centinela de Congelación	Sí	Sí	Sí
Limitación de Temperatura Electrónica	No	No	No
Pasa a Calor con Resistencia en Base a la Temperatura Interior	N/A	Determinado por el Termostato Remoto	
Pasa a Calor con Resistencia en Base a la Temperatura Exterior	N/A	Sí	Sí
Descongelación con Ciclo Invertido	N/A	Sí	Sí
Calor con Resistencia Parcial con Bomba de Calor en Simultáneo	N/A	Sí	Sí
Bloqueo de Calor con Resistencia	N/A	Sí	Sí
Ciclo de Ventilación "Smart Fan" (Ventilador Inteligente)	Ventilador ENCENDIDO/ AUTOMÁTICO Configurado en Termostato Remoto		
Control de Escritorio Central	Sí	Sí	Sí
Centinela de Humedad	N/A	N/A	Sí

Active las funciones de la UNIDAD al usar un termostato remoto de 2 Vías			
Función	AZH	AZE	AZV
Control de Congelación Interior	Sí	Sí	Sí
Centinela de Congelación	Sí	Sí	Sí
Limitación de Temperatura Electrónica	Sí	Sí	Sí
Pasa a Calor con Resistencia en Base a la Temperatura Interior	Sí	Sí	Sí
Pasa a Calor con Resistencia en Base a la Temperatura Exterior	N/A	Sí	Sí
Descongelación con Ciclo Invertido	N/A	Sí	Sí
Calor con Resistencia Parcial con Bomba de Calor en Simultáneo	N/A	Sí	Sí
Bloqueo de Calor con Resistencia	N/A	Sí	Sí
Ciclo de Ventilación "Smart Fan" (Ventilador Inteligente)	Sí	Sí	Sí
Control de Escritorio Central	Sí	Sí	Sí
Centinela de Humedad	N/A	N/A	Sí

**NOTA:** La configuración del Modo de Clase 2 (Modo 6) debe ser configurado en ON (Encendido) para que la unidad funcione con un Termostato de Pared Remoto Clase 2. (Consulte las Instrucciones de Instalación suministradas con el termostato remoto y las instrucciones del modo en la página 10).

\* también disponible en un paquete de diez – RAKTK8PA10

# Configuraciones WI-FI (AZV únicamente)

Para visualizar el estado del Wi-Fi, mantenga presionados + y -, a continuación libérelos después de 3 segundos. El modo de visualización saldrá automáticamente luego de 5 segundos de inactividad o cuando se presione cualquier botón.

La pantalla de 7 segmentos mostrará el estado del módulo Wi-Fi:

- **Off “OF” (Apagado)** – El módulo está desconectado del Wi-Fi.
- **Connecting “Cn” (Conectando)** – La unidad se está conectando al Wi-Fi.
- **Connected “Co” (Conectado)** – La unidad está conectada al Wi-Fi.
- **Unknown “--” (Desconocido)** – No se detectó el módulo Wi-Fi.

Para activar el Wi-Fi: Mantenga presionados los botones **AUX** (Auxiliar) y **MODE SELECT** (Selección de Modo) durante más de 3 segundos, y luego libere los mismos.

La pantalla de 7 segmentos se actualizará y mostrará “Cn” (Conectando) si estaba apagada previamente, u “OF” (apagado) si estaba conectada de forma previa.

Mantenga presionados **Mode** (Modo) y **AUX** (Auxiliar) nuevamente para alternar entre **OF** (Apagado) y **Cn/Co** (Conectando/ Conectado).

Presionar cualquier botón invertirá la UI (Interface de Usuario) a un funcionamiento con UI estándar, pero el Wi-Fi continuará en el modo en que se dejó.

**Nota:** Al activar el Wi-Fi, el tiempo fuera de pantalla regresará automáticamente a su funcionamiento normal en 15 minutos.



# Cuidado y Limpieza

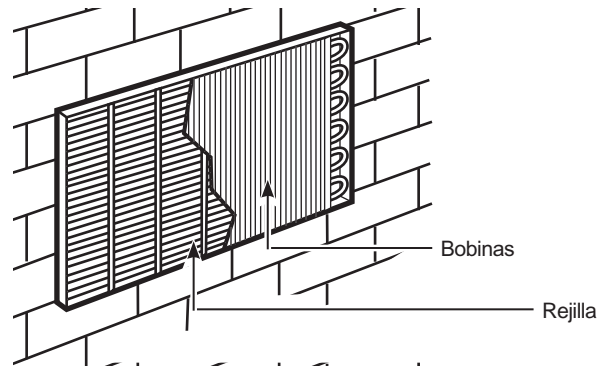
## Tapa y Caja del Acondicionador de Aire de Pared

Apague el Zoneline y desconecte el suministro de corriente.

Para limpiar, use agua y un detergente suave. No use blanqueadores ni abrasivos. Algunos limpiadores comerciales pueden dañar las partes plásticas.

## Bobinas Externas

Las bobinas del lado externo del Zoneline se deberán controlar de forma regular. Si están atascadas con tierra u hollín, deberán ser limpiadas a través de métodos con poca o sin presión. Asegúrese de que el área/ dispositivos eléctricos estén protegidos durante la limpieza. Deberá retirar la unidad de la manga de la pared para inspeccionar las bobinas. **La acumulación de suciedad se produce del lado donde se encuentra el ventilador en la bobina externa.**



Limpie las bobinas externas de forma regular.

## La Bandeja de la Base

En algunas instalaciones, la tierra u otros desechos podrán ingresar a la unidad desde el exterior y asentarse en la bandeja de la base (la parte inferior de la unidad).

En algunas zonas de Estados Unidos, como naturalmente sucede, se podrá visualizar una sustancia "similar al gel" o "similar a la baba" en la bandeja de la base.

Controle la misma de forma periódica y límpiela si es necesario.

En los modelos de las series ZE, no retire el tapón de drenaje de goma de la charola de la base. En el funcionamiento con refrigeración, el agua de la charola de la base promueve la refrigeración evaporativa e incrementa la eficiencia energética.

## Filtro de la Ventilación

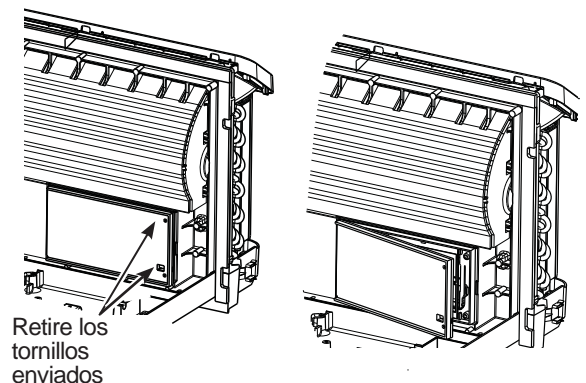
*Si la puerta de la ventilación está abierta, limpie el filtro de la ventilación dos veces al año o cuando sea necesario. El acceso requiere el retiro de la unidad de la manga de la pared.*

*Apague el Zoneline y desenchufe el mismo antes de su retiro y limpieza.*

Para limpiar el filtro de ventilación:

**IMPORTANTE:** El filtro no puede ser retirado. Intentar retirar este filtro dañará la unidad.

- Use una aspiradora para eliminar los desechos del filtro.
- Use un trapo húmedo para limpiar el filtro y el área circundante luego de usar la aspiradora.



Retire los tornillos enviados

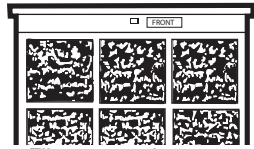
# Cuidado y Limpieza

Para mantener un rendimiento óptimo, limpie los filtros por lo menos cada 30 días.

## Filtros de Aire



Filtro sucio – Debe ser limpiado



Filtro atascado – Gran reducción de la refrigeración, calefacción y flujo de aire.

### Apague el Zoneline antes de limpiarlo.

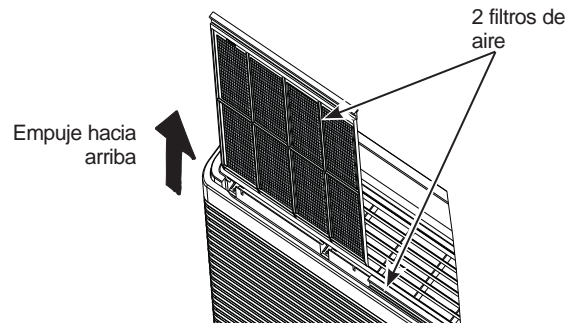
Lo más importante que puede hacer para mantener el Zoneline en buenas condiciones es limpiar el filtro por lo menos cada 30 días. Los filtros atascados reducen la refrigeración, calefacción y flujo de aire.

### Mantener estos filtros limpios hará que:

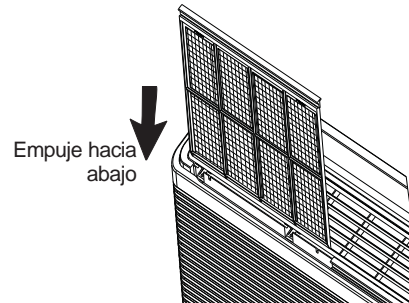
- Se reduzca el costo del funcionamiento.
- Se ahorre energía.
- Se prevenga el atascamiento de las bobinas intercambiables de calefacción.
- Se reduzca el riesgo de fallas prematuras de los componentes. Para limpiar los filtros de aire:
- Aspire la suciedad pesada.
- Deje correr agua a través de los filtros desde la parte trasera.
- Seque totalmente antes del reemplazo.

**NOTA:** Los filtros de aire son intercambiables y encajarán tanto del lado derecho como del izquierdo.

### Para retirar los filtros de aire:



### Para reemplazar los filtros de aire:



## AVISO:

No utilice el Zoneline si los filtros no están en sus posiciones correspondientes. Si un filtro se rasga o daña, deberá ser reemplazado de inmediato.

Realizar el uso sin los filtros en sus posiciones correspondientes o con daños permitirá que la tierra o el polvo lleguen a la bobina interna y reduzcan el nivel de refrigeración, calefacción, flujo y de aire y eficiencia de la unidad.

Filtros de reemplazo están disponibles a través de su vendedor, minorista de GE Appliances, GE Appliances Service and Parts Center (Centro de Servicio y Piezas de GE Appliances) o de proveedores del servicio de Customer Care®.

# REQUISITOS DE FUNCIONAMIENTO

## Requisitos de Funcionamiento, Servicio e Instalación de Electrodomésticos que Utilizan Refrigerantes Inflamables

### ⚠ WARNING

- No use medios para acelerar el proceso de descongelación o para limpiar que no sean los recomendados por el fabricante.
- El electrodoméstico deberá ser almacenado en una sala donde no haya fuentes de encendido continuas (por ejemplo: llamas abiertas, un electrodoméstico a gas en funcionamiento o un calefactor eléctrico en funcionamiento).
- No perforar ni quemar.
- Tenga presente que los refrigerantes no deben tener olor.



**Advertencia;** Materiales Inflamables, clase de A2L Refrigerante de acuerdo con el ISO 817



**Manual del Propietario;** Instrucciones de Instalación



**Lea el Manual del Propietario**



**Indicador del Servicio Técnico;** Lea el Manual Técnico

### General

- La manipulación, instalación, limpieza, servicio técnico y descarte de refrigerante deberán cumplir con la regulación local y las instrucciones.
- El servicio técnico deberá ser realizado sólo de acuerdo con las recomendaciones del fabricante.



## Requisitos de Funcionamiento, Servicio e Instalación de Electrodomésticos que Utilizan Refrigerantes Inflamables

### Calificación de los trabajadores

Cada procedimiento de trabajo que afecte los medios de seguridad sólo será realizado por personas competentes.

**Ejemplos de tales procedimientos de trabajo son:**

- penetración en el circuito de refrigerante.
- apertura de componentes sellados.

Las personas competentes son entrenadas por organizaciones nacionales de capacitación o por fabricantes acreditados para enseñar los estándares de competencia nacional relevantes que puedan estar establecidos en la legislación. La competencia lograda deberá ser documentada por un certificado.

### Información sobre el servicio técnico

Antes de comenzar a trabajar en sistemas que contienen REFRIGERANTES INFLAMABLES, es necesario realizar controles de seguridad para asegurar que se minimice el riesgo de encendido. Para la reparación del SISTEMA REFRIGERANTE, se deberá completar el siguiente requisito antes de realizar el trabajo sobre el sistema:

- El trabajo se deberá realizar bajo un procedimiento controlado con el fin de minimizar el riesgo de que haya un gas o vapor inflamable presente mientras el trabajo es realizado.
- Todo el personal de mantenimiento y otras personas que trabajan en el área local recibirán instrucciones sobre la naturaleza del trabajo que se realiza. Se evitará el trabajo en espacios confinados.
- El área será controlada con un detector de refrigerante apropiado antes de y durante el trabajo, para asegurar que el técnico esté consciente de atmósferas potencialmente tóxicas o inflamables. Asegurará que el equipamiento de detección de pérdidas usado sea el adecuado para uso con todos los refrigerantes aplicables; es decir: libres de chispas, correctamente sellados o intrínsecamente seguros.
- Si se realiza cualquier trabajo de riesgo en el equipamiento del refrigerador o en cualquier parte asociada, estará al alcance de la mano un equipo extintor de incendios. Cuente con un extintor de incendios de polvo seco o CO2 adyacente al área de carga.

# REQUISITOS DE FUNCIONAMIENTO

## Requisitos de Funcionamiento, Servicio e Instalación de Electrodomésticos que Utilizan Refrigerantes Inflamables

### Información sobre el servicio técnico (cont.)

- Ninguna persona que realice un trabajo en relación al SISTEMA DE REFRIGERACIÓN que involucre la exposición a cualquier trabajo de tuberías usará una fuente de ignición de modo tal que pueda conducir a riesgos de incendio o explosión. Todas las fuentes de ignición posibles, incluyendo fumar cigarrillos, deberán encontrarse lo suficientemente alejadas del lugar de instalación, reparación, retiro o descarte, durante lo cual el refrigerante pueda ser liberado en el espacio circundante. Antes de que el trabajo tome lugar, el área alrededor del equipamiento deberá ser supervisada para asegurar que no existan riesgos con materiales inflamables o riesgos de encendido. Se exhibirán carteles de “No Fumar”.
- Asegúrese de que el área esté abierta y adecuadamente ventilada antes de ingresar al sistema o de realizar cualquier trabajo de riesgo. Continuará habiendo un grado de ventilación durante el periodo en el cual el trabajo es realizado. La ventilación deberá dispersar cualquier refrigerante liberado y preferentemente expulsarlo externamente en la atmósfera.
- Donde se cambien componentes eléctricos, estos deberán ajustarse al propósito y de acuerdo con la especificación correcta. En todo momento, se deberán seguir las pautas de mantenimiento y servicio técnico del fabricante. En caso de duda, solicite asistencia al departamento técnico del fabricante.
- Los siguientes controles se deberán aplicar a instalaciones donde se utilicen REFRIGERANTES INFLAMABLES:
  - las marcas sobre el equipamiento continúan siendo visibles y legibles. Las marcas y carteles que sean ilegibles deberán ser corregidos.
- La reparación y mantenimiento de los componentes eléctricos incluirán controles de seguridad iniciales y procedimientos de inspección de componentes. Si existe una falla que pueda comprometer la seguridad, entonces ningún suministro eléctrico deberá ser conectado al circuito hasta que se trate la misma de forma satisfactoria. Si no es posible corregir la falla de forma inmediata pero es necesario continuar con el funcionamiento, se usará una solución temporaria adecuada. Esto será reportado al dueño del equipamiento de modo que todas las partes sean advertidas.
- Las comprobaciones de seguridad iniciales incluirán:
  - que los capacitores estén descargados: esto se deberá hacer de modo tal que se evite la posibilidad de que haya chispas;
  - que ningún componente eléctrico o cableado queden expuestos mientras se esté cargado, recuperando o purgando el sistema;
  - que haya continuidad en la toma a tierra.

### Reparaciones de componentes sellados, componentes intrínsecamente seguros

- Los componentes eléctricos sellados se deberán reemplazar.
- Los componentes intrínsecamente seguros se deberán reemplazar.
- Reemplace los componentes sólo por partes especificadas por el fabricante. Otras partes podrán sufrir como resultado del incendio del refrigerante en la atmósfera a partir de una pérdida.

### Cableado

Compruebe que el cableado no esté expuesto al uso, corrosión, presión excesiva, vibración, extremos filosos o cualquier otro efecto ambiental adverso. La comprobación también deberá tener en cuenta los efectos del paso del tiempo o la vibración continua de fuentes tales como compresores de ventiladores.

## Requisitos de Funcionamiento, Servicio e Instalación de Electrodomésticos que Utilizan Refrigerantes Inflamables

### Detección de refrigerantes inflamables

- Bajo ninguna circunstancia se deberán usar posibles fuentes de ignición para buscar o detectar pérdidas de refrigerante. No se deberá usar un soplete de haluro (o cualquier otro detector con una llama viva).
- Los siguientes métodos de detección de pérdidas se consideran aceptables para todos los sistemas refrigerantes.
  - Se podrán usar detectores de pérdidas electrónicos para detectar pérdidas de refrigerante pero, en el caso de los **REFRIGERANTES INFLAMABLES** el nivel de sensibilidad podrá no ser el adecuado, o podrá ser necesario que se recalibre. (El equipamiento de detección se deberá recalibrar en un área libre de refrigerantes). Asegúrese de que el detector no sea una potencial fuente de ignición y que sea adecuado para el refrigerante usado. El equipamiento de detección de pérdidas se deberá configurar en un porcentaje del límite inferior de inflamabilidad (LFL) del refrigerante y se deberá calibrar de acuerdo con el refrigerante empleado; luego el porcentaje apropiado de gas (25% máximo) será confirmado.
  - Los líquidos de detección de pérdida también son adecuados para el uso con la mayoría de los refrigerantes, pero se deberá evitar el uso de detergentes que contengan cloro ya que el cloro podrá reaccionar con el refrigerante y corroer las tuberías de cobre.
- NOTA:** Ejemplos de líquidos de detección de pérdidas son:
  - método con burbujas,
  - agentes de métodos fluorescentes.
- En caso de sospecha de pérdida, todas las llamas vivas se deberán eliminar/ extinguir.
- Si se encuentra una pérdida de refrigerante, se deberá recuperar todo el refrigerante del sistema, o se deberá aislar (por medio de válvulas de cierre) en una parte del sistema distante de la pérdida. El retiro del refrigerante se deberá realizar de acuerdo con el manual.

### Retiro y evacuación

- Al ingresar al circuito de refrigerante para realizar reparaciones – o con cualquier otro propósito – se deberán usar procedimientos convencionales. Sin embargo, en el caso de los **REFRIGERANTES INFLAMABLES** es importante que se sigan las mejores prácticas, ya que el nivel de inflamabilidad deberá ser considerado. El siguiente procedimiento deberá ser respetado:
  - a) de forma segura retire el refrigerante siguiendo las regulaciones locales y nacionales;
  - b) purgue el circuito con gas inerte;
  - c) abra el circuito cortando.
- Se debe utilizar una bomba de vacío que no produzca chispas, adecuadamente sellada o intrínsecamente segura.
- La salida de la bomba de vacío no deberá estar cerca de ninguna potencial fuente de incendio, y deberá contar con ventilación.
- La carga de refrigerante se deberá recuperar en los cilindros de recuperación adecuados en el caso de que los códigos local y nacional no permitan la ventilación. En el caso de aquellos electrodomésticos que contengan **REFRIGERANTES INFLAMABLES**, el sistema será purgado con nitrógeno libre de oxígeno para que el electrodoméstico sea seguro para el uso de **REFRIGERANTES INFLAMABLES**. Es posible que este proceso deba ser repetido varias veces.
- No se deberá usar aire comprimido u oxígeno para purgar sistemas refrigerantes.

### Procedimientos de Carga

- Además de los procedimientos de carga convencionales, se deberán seguir los siguientes requisitos.
  - Asegúrese de que no se produzca la contaminación de diferentes refrigerantes cuando se use el equipo de carga. Las mangueras y tubos deberán ser tan cortos como sea posible para minimizar la cantidad de refrigerante contenido en estos.
  - Los cilindros se mantendrán en una posición apropiada de acuerdo con las instrucciones.
  - Asegúrese de que el **SISTEMA DE REFRIGERACIÓN** esté conectado a tierra antes de cargar el sistema con refrigerante.
  - Etiquete el sistema cuando la carga se haya completado (si aún no se hizo).
  - Se deberá tener extremo cuidado de no sobrecargar el **SISTEMA DE REFRIGERACIÓN**.
- Antes de recargar el sistema, se deberá realizar una prueba de presión con el gas purgante adecuado. Se deberá realizar una prueba de pérdidas del sistema al completar la carga y antes de la puesta en marcha. Se deberá realizar una prueba de pérdidas subsiguiente antes de abandonar el sitio.

## Requisitos de Funcionamiento, Servicio e Instalación de Electrodomésticos que Utilizan Refrigerantes Inflamables

### Desensamblable

- Antes de realizar este procedimiento, es esencial que el técnico esté completamente familiarizado con el equipamiento y todos sus detalles. Se recomienda llevar a cabo buenas prácticas de modo que todos los refrigerantes sean recuperados de forma segura. Antes de que la tarea sea realizada, se deberá tomar una muestra del aceite y del refrigerante en caso de que se requiera un análisis antes de que se vuelva a usar un refrigerante recuperado. Es esencial contar con una conexión eléctrica antes de que la tarea sea iniciada.
  - a) Familiarícese con el equipamiento y su funcionamiento.
  - b) Aísle el sistema eléctrico.
  - c) Antes de intentar el procedimiento, asegúrese de que:
    - el equipamiento de manejo mecánico esté disponible, si se requiere, para manipular los cilindros del refrigerante;
    - todo el equipamiento de protección personal esté disponible y sea usado de forma correcta;
    - el proceso de recuperación sea supervisado en todo momento por una persona competente;
    - el equipamiento de recuperación y los cilindros cumplan con los estándares apropiados.
  - d) se bombee el sistema refrigerante, de ser posible.
  - e) Si no es posible aspirar, haga un colector de modo que el refrigerante se pueda retirar de las diferentes piezas del sistema.
  - f) Asegúrese de que el cilindro se encuentre situado sobre las básculas antes de que la recuperación se lleve a cabo.
  - g) Inicie la máquina de recuperación y opere la misma de acuerdo con las instrucciones.
  - h) No sobrecargue los cilindros (la carga líquida no deberá poseer un volumen superior al 80 %).
  - i) No supere la presión de funcionamiento máxima del cilindro, incluso de forma temporaria.
  - j) Cuando el cilindro se haya llenado de forma correcta y el proceso se haya completado, asegúrese de que los cilindros y el equipamiento sean retirados del sitio de forma inmediata y que todas las válvulas aisladas del equipamiento se encuentren cerradas.
  - k) El refrigerante recuperado no será cargado en otro **SISTEMA DE REFRIGERACIÓN** a menos que se haya limpiado y comprobado.

### Etiqueta

- El equipamiento deberá contar con una etiqueta que indique que fue desensamblado y que el refrigerante fue vaciado. La etiqueta deberá poseer fecha y firma. En el caso de aquellos electrodomésticos que contengan **REFRIGERANTES INFLAMABLES**, asegúrese de que las etiquetas sobre el equipamiento afirmen que el mismo contiene **REFRIGERANTE INFLAMABLE**.

## Requisitos de Funcionamiento, Servicio e Instalación de Electrodomésticos que Utilizan Refrigerantes Inflamables

### Recuperación

- Al retirar refrigerante de un sistema, ya sea para realizar el servicio técnico o desensamble, se recomienda la aplicación de buenas prácticas a fin de que todos los refrigerantes sean retirados de forma segura.
- Al transferir refrigerante a los cilindros, asegúrese de que sólo se usen cilindros de recuperación de refrigerante adecuados. Asegúrese de contar con el número correcto de cilindros para almacenar la carga total del sistema. Todos los cilindros que se usarán fueron diseñados para el refrigerante recuperado y etiquetados para dicho refrigerante (es decir: cilindros especiales para la recuperación de refrigerante). Los cilindros estarán completos con la válvula de alivio de presión y las válvulas de cierre apropiadas en un orden de funcionamiento adecuado. Los cilindros de recuperación serán evacuados y, de ser posible, enfriados antes de que se realice la recuperación.
- El equipamiento de recuperación deberá contar con un orden de funcionamiento adecuado con un conjunto de instrucciones concernientes al equipamiento del cual se dispone, y deberá ser adecuado para la recuperación de todos los refrigerantes adecuados incluyendo, cuando corresponda, **REFRIGERANTES INFLAMABLES**. Además, estará disponible un conjunto de balanzas calibradas y en un orden de funcionamiento adecuado. Las mangueras deberán estar completas, con acoples de desconexión libres de goteos y en buenas condiciones. Antes de usar la máquina de recuperación, controle que posea un orden de funcionamiento satisfactorio, que se haya mantenido de forma apropiada y que cualquier componente eléctrico asociado se encuentre sellado, a fin de evitar incendios en caso de que se libere refrigeración. En caso de duda, consulte con el fabricante.
- El refrigerante recuperado se deberá procesar de acuerdo con la legislación local en el cilindro de recuperación correcto, y la nota de transferencia de residuos relevante deberá estar en orden. No mezcle refrigerantes en las unidades de recuperación y especialmente no lo haga en los cilindros.
- Si los compresores o los aceites para compresor no son retirados, asegúrese de que se los haya evacuado en un nivel aceptable para asegurarse de que no permanezca **REFRIGERANTE INFLAMABLE** dentro del lubricante. El cuerpo del compresor no se deberá calentar con una llama abierta u otras fuentes de encendido para acelerar este proceso. Cuando se drene aceite desde un sistema, se deberá realizar de forma segura.

# Instrucciones de Instalación

¿Preguntas? Llame al 844-GE4-PTAC (o al 844-434-7822 ) o Visite nuestro sitio Web en: [GEAppliances.com](http://GEAppliances.com)

## ANTES DE COMENZAR

Lea estas instrucciones en su totalidad y atentamente.

- **IMPORTANTE** – Conserve estas instrucciones para uso del inspector local.
- **IMPORTANTE** – Cumpla con todos los códigos y ordenanzas gubernamentales. .
- **Nota para el Instalador** – Asegúrese de que el propietario conserve estas instrucciones.
- **Nota para el Propietario** – Conserve estas instrucciones para referencia futura.
- La correcta instalación del producto es responsabilidad del instalador.
- Si se producen fallas en el producto debido a una instalación inadecuada, la Garantía no cubrirá las mismas.

## PERÍODO DE PRUEBA DE UNCIÓNAMIENTO DEL ACONDICIONADOR DE AIRE

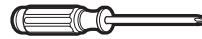
**NOTA** – Al igual que con cualquier dispositivo mecánico con partes móviles, esta unidad pasará por un período de acostumbramiento. LUEGO DE LA INSTALACIÓN, esta unidad deberá ser usada durante 48 horas para lograr el nivel de eficiencia máximo.

## SEGURIDAD ELÉCTRICA IMPORTANTE - LEA ATENTAMENTE

### ⚠ PRECAUCIÓN

- Siga las instrucciones del National Electrical Code (Código de Electricidad Nacional) (NEC) o los códigos u ordenanzas locales.
- Para su seguridad personal, el acondicionador de aire Zonline debe tener una adecuada conexión a tierra.
- Los dispositivos de protección (fusibles o disyuntores) adecuados para las instalaciones de Zonline se encuentran especificados en la placa de cada unidad.
- No utilice un cable de extensión con esta unidad.
- El cableado de aluminio puede presentar problemas especiales: consulte a un electricista calificado.
- Cuando la unidad se encuentra en la posición OFF (apagado), todavía hay voltaje en los controles eléctricos.
- Antes de realizar reparaciones en la unidad, desconecte el suministro de energía de la siguiente manera:
  - 1 Retire el cable eléctrico (si posee uno) del receptáculo de la pared. O
  - 2 Retire los fusibles de la sección o apague el disyuntor desde el panel.

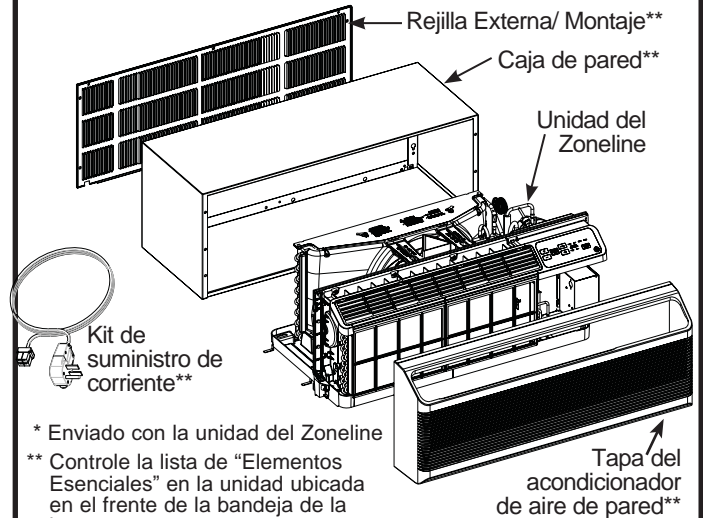
## HERRAMIENTAS NECESARIAS



Destornillador Phillips y llave de tuercas de 5/16"

## COMPONENTES DEL ZONELINE

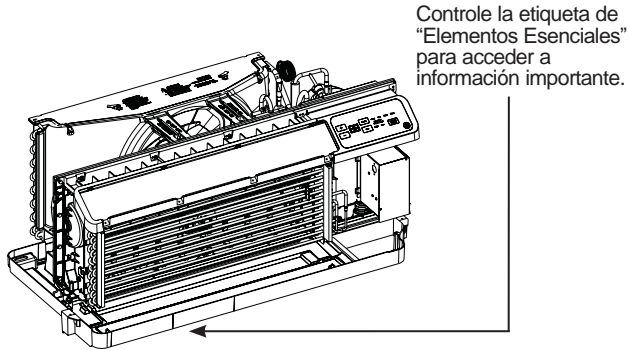
*El aspecto puede variar.*



\* Enviado con la unidad del Zonline

\*\* Controle la lista de "Elementos Esenciales" en la unidad ubicada en el frente de la bandeja de la base.

## REEMPLAZO DE LA UNIDAD EXISTENTE



### Use la caja de pared correcta

Esta unidad fue diseñada para ser instalada en la caja de la pared metálica de plástico o aislada de GE Appliances. Esto minimiza la formación de condensación del lado de la caja del acondicionador de aire de pared.

**NOTA:** Existen varios agujeros adicionales en las lengüetas laterales de la unidad para la instalación en otras cajas de pared que no sean de GE Appliances. A fin de evitar daños en la aislación de la pestaña, el instalador deberá usar un punzón u otra herramienta puntiaguda para perforar la aislación en los agujeros apropiados antes de instalar los tornillos de adhesión.

### Use la rejilla externa adecuada

Deberá usar las rejillas externas mostradas en la etiqueta de "Elementos Esenciales" de la bandeja de la base.

- Si una rejilla existente no es reemplazada, la capacidad y eficiencia se verán reducidas y la unidad podrá no funcionar de forma adecuada o fallar de forma prematura. Un kit del deflector, RAK40, podrá ser usado con rejillas que no fueron diseñadas para su nuevo Zoneline de GE Appliances. El RAK40 contiene deflectores de aire y juntas que se montan a la unidad para alejar la salida del aire caliente de la entrada de aire, y permitir que la unidad funcione correctamente. **La rejilla debe contar con un área libre mínima de un 65 % (según lo calculado por ASHRAE).** Para acceder a información más detallada, consulte el Manual de Datos de Arquitectos e Ingenieros (Architects and Engineers Data Manual).
- Cualquier deflector vertical de una rejilla trasera existente de GE deberá ser retirada a fin de reducir la recirculación de aire del condensador que puede hacer que la unidad realice un "ciclo corto" y conducir a fallas prematuras de los componentes.

### Use el cable de corriente adecuado

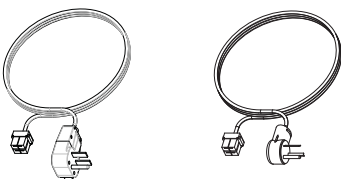
Los códigos requieren el uso de dispositivos de detección de fallas de arco o pérdidas de corriente en instalaciones de 230/208 voltios.

# Instrucciones de Instalación

## OPCIONES DE CONEXIÓN ELÉCTRICA DE 230/208 VOLTIOS

### CONEXIÓN DEL CABLE DE CORRIENTE

Dependiendo de la aplicación, un kit de suministro de corriente con LCDI deberá ser usado para suministrar corriente a la unidad del Zoneline. El kit apropiado es determinado por el voltaje, los medios de conexión eléctrica y el amperaje del circuito de empalmes.



Kit de suministro de corriente  
(El aspecto puede variar)

Las conexiones de los circuitos de 208 o 230 voltios pueden estar con un kit de suministro de corriente o un kit de caja de empalmes.

Todo el cableado, incluyendo la instalación del receptáculo, deberá cumplir con el NEC y los códigos, ordenanzas y reglamentaciones locales. Los códigos requieren el uso de un dispositivo de detección de fallas de arco o pérdidas de corriente en el cable de corriente, excepto en contacto directo. Asegúrese de seleccionar el cable correcto para su instalación.



**Tándem**  
15 amperes



**Perpendicular**  
20 amperes



**Tándem Grande**  
30 amperes

Configuración del receptáculo de 230/208 voltios

Calificación del Circuito de Empalmes y del Amperaje de la Unidad	Cable de Corriente de GE Adecuado con Dispositivo LCDI
15	RAK315P
20	RAK320P
30	RAK330P

Los cables de corriente pueden incluir un dispositivo de interrupción de fallas de arco o de detección de pérdidas de corriente. Se brinda un botón de evaluación y reinicio en la caja del enchufe o en la caja en línea. El dispositivo deberá ser evaluado de forma periódica, presionando primero el botón TEST (Evaluar) y luego RESET (Reinicio). Si el botón TEST (Evaluar) no se activa o el botón RESET (Reinicio) no permanece en su posición, deje de usar el Zoneline y comuníquese con un técnico calificado del servicio.

### CONEXIÓN ELÉCTRICA DE SUB-BASE

Los modelos 230/208 podrán ser instalados usando una de las siguientes sub-bases eléctricas:

Calificación del Circuito de Empalmes y del Amperaje de la Unidad	Kit Adecuado de la Sub-base de GE
15	RAK204D15C
20	RAK204D20C
30	RAK204D30C

Las sub-bases eléctricas brindan un cerramiento para la conexión directa o receptáculos cerrados. El kit de sub-base incluye el cable de corriente.

Las instrucciones provistas con el kit de sub-base seleccionado se deben seguir de forma cuidadosa. Es responsabilidad del instalador asegurar que la conexión de los componentes sea realizada de acuerdo con estas instrucciones y siguiendo todos los códigos de electricidad.

Al usar una conexión eléctrica de subbase, la Caja de Empalmes RAK4002D será necesaria para una instalación completa y correcta.

### CONEXIÓN DIRECTA

Ordene uno de los siguientes Kits para la conexión directa de 230/208 voltios según se requiera:

Calificación del Circuito de Empalmes y del Amperaje de la Unidad	Kit de suministro de corriente
15	RAK315D
20	RAK320D
30	RAK330D

Revise las instrucciones de instalación provistas con los kits de conexión directa para acceder a instrucciones de ensamble detalladas.

Al usar una conexión directa, la Caja de Empalmes RAK4002D será necesaria para una instalación completa y correcta.



## OPCIONES DE CONEXIÓN ELÉCTRICA DE 265 VOLTIOS

### ADVERTENCIA

La conexión de este producto de 265 voltios de CA a un circuito derivado DEBE realizarse mediante una conexión directa de acuerdo a las indicaciones del NEC. El código no permite enchufar esta unidad a una caja externa.

Estos modelos deben instalarse utilizando el kit de GE de suministro de energía adecuado para el amperaje de circuito derivado y el vatiaje deseado para el calefactor de resistencia eléctrica. Utilice la TABLA DE CONEXIONES ELÉCTRICAS en la página 18 para determinar cuál es el kit necesario. Debe utilizarse uno de los siguientes métodos de instalación.

### Desconexión Exterior de las unidades no ajustada con un Cable de Suministro y Enchufe

Deberá haber medios de desconexión desde el suministro de electricidad ubicados en la línea visual del frente de la sala del acondicionador de aire. Los medios de desconexión deberán estar directamente accesibles mientras se instala el acondicionador de aire en la carcasa de pared. La desconexión no deberá ocultar la placa de especificaciones técnicas. Un interruptor suministrado con la calificación apropiada es un medio común para la desconexión eléctrica.

### A. PARA UNA INSTALACIÓN SUB-BASE

Kits de sub-base eléctricos están disponibles para brindar un cerramiento flexible para la conexión directa.

Calificación del Circuito de Empalmes y del Amperaje de la Unidad	Kit Adecuado de la Sub-base de GE
15	RAK204E15C
20	RAK204E20C
30	RAK204E30C

Las instrucciones provistas con el kit de sub-base seleccionado se deben seguir de forma cuidadosa. El kit de subbase incluye el kit de conexión eléctrica. Es responsabilidad del instalador asegurar que la conexión de los componentes sea realizada de acuerdo con estas instrucciones y siguiendo todos los códigos de electricidad.

### B. PARA UNA INSTALACIÓN CON CONEXIÓN DIRECTA

Si no se utilizará una sub-base eléctrica, la conexión directa al cableado del circuito de empalmes dentro de la caja de empalmes provista deberá ser realizada de acuerdo con los siguientes pasos.

Ordene el siguiente Kit para la conexión directa de 265 voltios, según lo requerido:

Calificación del Circuito de Empalmes y del Amperaje de la Unidad	Kit de suministro de corriente
15	RAK515D
20	RAK520D
30	RAK530D

Revise las instrucciones de instalación provistas con el cable de corriente o con los kits de conexión directa para acceder a instrucciones detalladas sobre el ensamble.

# Instrucciones de Instalación

## CUADRO DE CONEXIÓN DE CORRIENTE

### Conexiones del Cable de Corriente

Kits de Suministro de Corriente de 230/208 Voltios con Dispositivo de Detección de Pérdida de Corriente (1)	Configuración del Enchufe de Pared	Dispositivo de Protección del Circuito	Potencia Eléctrica del Calentador a 230/208 Voltios
RAK315P/SP RAK320P/SP RAK330P/SP	Tándem Perpendicular Tándem Grande	Fusible o Disyuntor con Tiempo de Retraso de 15 Amperes Fusible o Disyuntor con Tiempo de Retraso de 20 Amperes Fusible o Disyuntor con Tiempo de Retraso de 30 Amperes	2.40/1.96 KW 3.40/2.78 KW 4.80/3.93 KW (Ventilador Alto) 3.80/3.11 KW (Ventilador Bajo)

\* Para una Instalación de Sub-base de 265V, siga la referencia de la Caja A, página 19 para el emparejamiento adecuado del Kit de Suministro de Corriente de la Sub-base.

### Conexiones Directas

Kits de Suministro de Corriente de 230/208 Voltios (2)	Dispositivo de Protección del Circuito	Potencia Eléctrica del Calentador a 230/208 Voltios
RAK315D RAK320D RAK330D	Fusible o Disyuntor con Tiempo de Retraso de 15 Amperes Fusible o Disyuntor con Tiempo de Retraso de 20 Amperes Fusible o Disyuntor con Tiempo de Retraso de 30 Amperes	2.40/1.96 KW 3.40/2.78 KW 4.80/3.93 KW (Ventilador Alto) 3.80/3.11 KW (Ventilador Bajo)

Kits de Suministro de Corriente de 265 Voltios (3)	Dispositivo de Protección del Circuito	Potencia Eléctrica del Calentador a 265 Voltios
RAK515D RAK520D RAK530D	Fusible o Disyuntor con Tiempo de Retraso de 15 Amperes Fusible o Disyuntor con Tiempo de Retraso de 20 Amperes Fusible o Disyuntor con Tiempo de Retraso de 30 Amperes	2.40 KW 3.40 KW 4.80 KW (Ventilador Alto) 3.8 KW (Ventilador Bajo)

- (1) Kits ending in SP do not have an LCDI device are therefore can only be used in a sub-base. Se requiere una caja de empalmes con kits SP (se adquiere por separado).
- (2) Se requiere una caja de empalmes con estos kits (se adquiere por separado).
- (3) La caja de empalmes requerida se encuentra preinstalada en el chasis.

## INSTALACIÓN DEL ZONELINE

### 1. INSTALE LA CAJA DE PARED Y LA PARRILLA EXTERNA

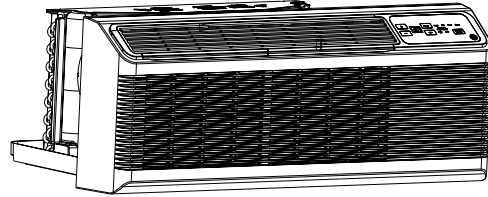
Las carcasas de pared de las series RAB 81/81B o RAB78 se deberán instalar de forma correcta de acuerdo con las instrucciones que figuran en la carcasa.

- Ensamble la carcasa de pared como se detalla en las instrucciones enviadas con la misma. Asegúrese de que todas las piezas calcen juntas de forma correcta.
- Adhiera el panel exterior a la parte trasera del ensamble como ayuda para sellar la edificación contra los factores climáticos.
- Instale, asegure y masille la manga.
- Cuando el chasis esté listo para su instalación, retire el panel exterior y luego instale y asegure la rejilla antes de instalar el chasis.
- Instale la rejilla exterior del lado de la sala siguiendo las instrucciones que figuran con la rejilla.

**NOTA:** Para la instalación con una subbase o un adaptador de conducto, consulte las instrucciones enviadas con estos kits.

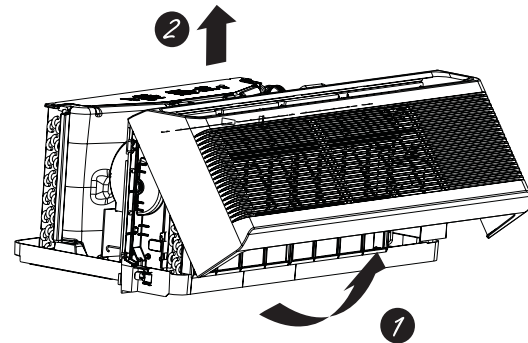
### 2. PREPARE LA UNIDAD

- Con cuidado, retire los bloques de gomaespuma del embalaje que se encuentran en el frente del acondicionador de aire de pared, del compresor y del ventilador externo. Es posible que haya varios bloques y cinta de embalaje que deban ser retiradas.

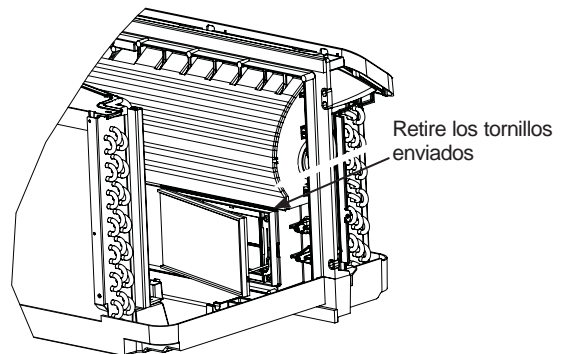


Cinta de embalaje (las ubicaciones pueden variar)

- Retire la tapa del acondicionador de aire de pared, empujando hacia afuera en la parte inferior para liberarlo (1); luego levante el mismo para despejar el riel a lo largo de la parte superior de la unidad (2).



- Retire los tornillos enviados del lado frontal de la puerta de ventilación, si está presente.



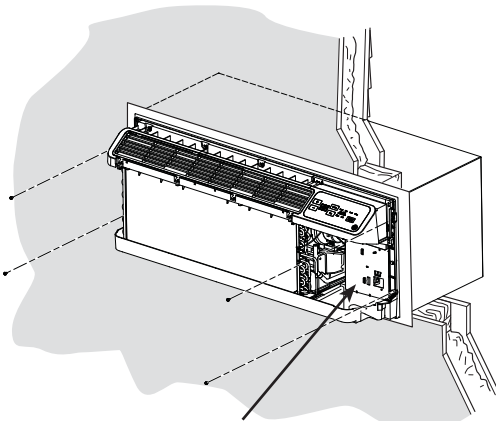
# Instrucciones de Instalación

## INSTALACIÓN DEL ZONELINE (CONT.)

### 3. INSTALE LA UNIDAD EN LA CAJA DE PARED

Deslice la unidad en la caja de pared y asegure la misma con cuatro tornillos a través de los agujeros de la lengüeta de la unidad.

Los cuatro tornillos estarán ubicados en una bolsa sellada que está apoyada debajo del panel de control, sobre el bolsillo de la bandeja de la base.

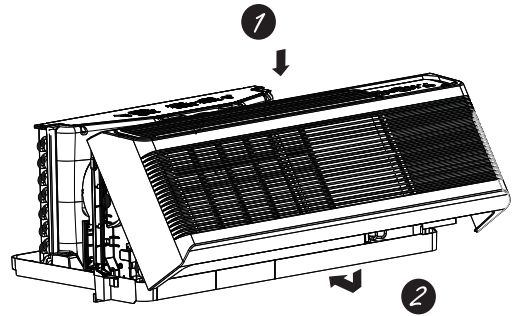


Los cuatro tornillos de la caja de pared estarán encintados al bolsillo, frente a la caja de control.

**NOTA:** Existen varios agujeros adicionales en las lengüetas laterales de la unidad para la instalación en otras cajas de pared que no sean de GE Appliances. A fin de evitar daños en la aislación de la pestaña, el instalador deberá usar un punzón u otra herramienta puntiaguda para perforar la aislación en los agujeros apropiados antes de instalar los tornillos de adhesión.

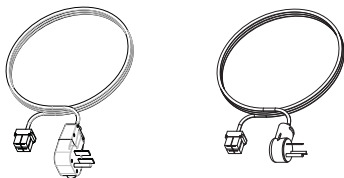
### 5. REEMPLACE EL FRENTE DEL ACONDICIONADOR DE AIRE DE PARED

Reinstale la tapa del acondicionador de aire de pared, alineando y colocando el riel superior de la tapa del acondicionador de aire de pared sobre el chasis (1), y luego empujando el mismo en la parte inferior (2).



### 4. CONECTE EL CABLE DE CORRIENTE O EL KIT DE CONEXIÓN DIRECTA

Revise las instrucciones de instalación provistas con el cable de corriente o con los kits de conexión directa para acceder a instrucciones detalladas sobre el ensamble.



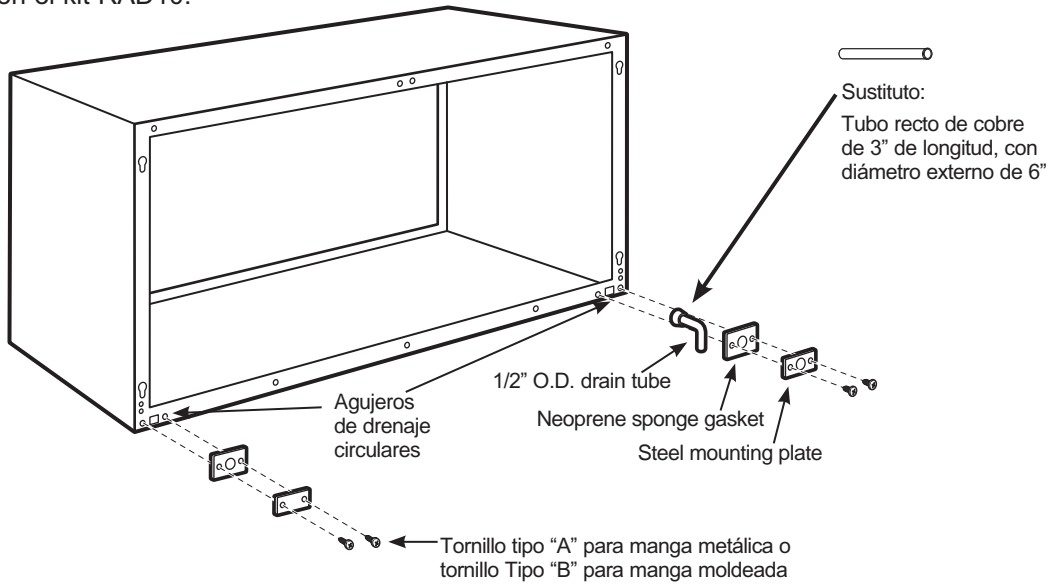
Kit de suministro de corriente (el aspecto puede variar)

# Instrucciones de Instalación

## OPCIONAL – INSTALACIÓN DEL KIT DE DRENAJE

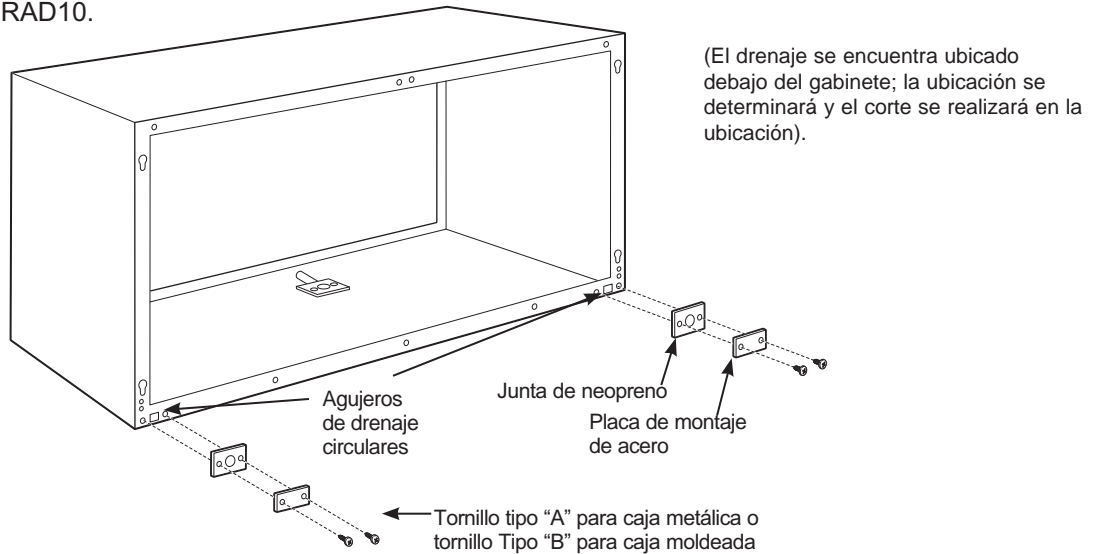
### Drenaje Externo

Consulte las Instrucciones de Instalación en el kit RAD10.



### Drenaje Interno

Consulte las Instrucciones de Instalación en el kit RAD10.



## Consejos para la Solución de Problemas... Antes de solicitar el servicio técnico

¡Ahorre tiempo y dinero! Primero revise los cuadros que aparecen en las siguientes páginas y es posible que no necesite solicitar reparaciones.

Problema	Causa Posible	Qué Hacer
El Zoneline no se inicia.	La unidad está desenchufada.	Asegúrese de que el enchufe del Zoneline esté completamente enchufado en el tomacorriente.
	El cable de corriente no está conectado de manera firme.	Retire la tapa del acondicionador de aire de pared y asegúrese de que el conector negro del extremo del cable de corriente esté conectado de manera firme.
	Se quemó el fusible/ el disyuntor está activado	Controle la caja de fusibles/ disyuntor de su hogar y reemplace el fusible o reinicie el disyuntor.
	La unidad está esperando a que el protector de sobrecarga del compresor se reinicie.	Esto es normal. El Zoneline empezará a funcionar nuevamente luego de reiniciarse.
	Corte de Corriente.	Hay un retraso de tiempo por protección (aproximadamente 3 minutos) a fin de evitar activaciones en la sobrecarga del compresor. Por esta razón, es posible que la unidad no comience a calefaccionar o refrigerar de forma normal por 3 minutos luego de haber sido conectada nuevamente.
	El interruptor del cable de corriente eléctrica está activado.	Presione el botón RESET (Reiniciar) ubicado en el enchufe del cable de corriente o en la caja cerca del enchufe.  Si el botón RESET (Reiniciar) no permanece conectado, interrumpa el uso del Zoneline y comuníquese con un técnico calificado del servicio.
El Zoneline no enfría ni calienta como debería.	El flujo de aire está obstruido.	Asegúrese que no haya cortinas, persianas ni muebles que bloqueen la parte frontal del Zoneline.
	El flujo de aire externo está restringido o se lo hace circular nuevamente.	Asegúrese de que la parrilla trasera no esté restringida. Esto puede hacer que la unidad deje de realizar ciclos, debido al protector de sobrecarga del compresor.  La rejilla externa debe contar con un área libre mínima del 65%. Las rejillas que no sean de GE Appliances podrán restringir el funcionamiento adecuado. Consulte a su vendedor para solicitar asistencia.
	Es posible que el control de temperatura no esté correctamente configurado.	Cambia el control a una configuración más baja o más alta. <b>NOTA:</b> La función del limitador de temperatura podrá estar restringiendo el rango de temperatura.
	El filtro de aire está sucio.	Limpie o cambie el filtro por lo menos cada 30 días Consulte la sección de Instrucciones de Funcionamiento.
	El aire externo está entrando a la habitación.	Configure el control de ventilación en la posición cerrada. <b>NOTA:</b> Las unidades equipadas con ventilación de reposición permitirán la entrada de cierta cantidad de aire externo de forma continua en la habitación.
Olor a quemado al iniciar el funcionamiento de la calefacción.	Polvo en la superficie de los elementos de calefacción.	Esto puede generar un olor "a quemado" cuando se inicie el funcionamiento de la calefacción. Deberá desaparecer rápidamente.

## Consejos para la Solución de Problemas... Antes de solicitar el servicio técnico

¡Ahorre tiempo y dinero! Primero revise los cuadros que aparecen en las siguientes páginas y es posible que no necesite solicitar reparaciones.

Problema	Causa Posible	Qué Hacer
El aire no siempre está fresco o caliente durante el funcionamiento.	La bomba de calor no está produciendo aire caliente.	Esto es normal. La bomba de calor producirá aire caliente pero no tan caliente como el aire producido cuando el calor eléctrico de más alto costo sea usado.
	Los Controles Auxiliares del Smart Fan (Ventilador Inteligente) pueden ser configurados en ventilación continua.	Esto hace que el ventilador produzca aire a temperatura ambiente, incluso cuando el compresor o el calentador dejen de realizar ciclos. El movimiento continuo del aire brinda un mejor control general de la temperatura en el modo para refrescar. Consulte Refrescar/ Calefaccionar con el Smart Fan (Ventilador Inteligente) en la página 7.
El aire no se siente lo suficientemente caliente durante el funcionamiento de la calefacción.	La bomba de calor sola produce aire que se siente más frío que lo deseado.	Use la Opción de Calefacción Eléctrica. Esto apaga la bomba de calor y calienta con calefacción eléctrica únicamente. <b>NOTA:</b> El uso de esta opción resultará en un mayor consumo de energía.
La unidad no produce aire.	El Control Auxiliar del Smart Fan (Ventilador Inteligente) puede ser configurado en ciclos.	Consulte Refrescar/ Calefaccionar con el Smart Fan (Ventilador Inteligente) en la página 7.
Las funciones de calefacción eléctrica y ventilador no funcionan.	El cable de corriente no está conectado de manera firme.	Retire la tapa del acondicionador de aire de pared y asegúrese de que el conector negro del extremo del cable de corriente esté conectado de manera firme.
La pantalla de temperatura titila.	El panel de control se encuentra bloqueado.	Mantenga presionado el botón DISPLAY Show/Hide (Mostrar/Ocultar Pantalla) durante más de 10 segundos para desbloquear la pantalla. Lea la sección de Bloqueo del Control en la página 5.
La unidad no funciona luego de reinstalar el Termostato de la Pared Remota.	El modo 6 auxiliar no está configurado correctamente.	Controle el modo 6 auxiliar para asegurarse de que el interruptor esté "activado" para el Termostato Remoto; consulte la página 9.
	Las conexiones del termostato de la unidad son incorrectos.	Verifique que el cableado del TStat de la Pared Remota sea el correcto al conector del termostato de la unidad.
	El transformador de bajo voltaje se reinicia o inicia en corto.	Para reiniciar el transformador de bajo voltaje, desenchufe la unidad de la corriente, espere unos 5 minutos, y luego vuelva a enchufar la unidad.
La bomba de calefacción funciona con calor electrónico sólo durante la calefacción.	El Modo Aux. 8 no está correctamente configurado.	Asegúrese de que el Modo AUX 8 no esté configurado en "EH" con el calor eléctrico únicamente.

## Cosas que son normales

### Sonidos de Funcionamiento Normal

- Es posible que escuche un sonido de ¡ping! ocasionado por el agua recogida y arrojada contra el condensador en días lluviosos o cuando el nivel de humedad sea alto. Esta función ayuda a eliminar la humedad y mejorar el nivel de eficiencia.
- Es posible que escuche sonidos de clic del relé cuando se realice el ciclo de encendido y apagado de los controles o cuando sean ajustados para cambiar la temperatura del ambiente.
- e acumulará agua en la bandeja de la base cuando el nivel de humedad sea alto o en días lluviosos. Es posible que el agua se desborde y gotee desde el lado externo de la unidad.
- El ventilador interno funciona de forma continua cuando la unidad está operando el modo para refrescar, a menos que el Control Auxiliar del Smart Fan (Ventilador Inteligente) esté configurado en la función de ciclos. La selección del ciclo hará que el ventilador realice ciclos de encendido y apagado con el compresor. Es posible que también escuche el ruido de un ventilador que se detiene y se inicia.
- Hay momentos en que el ventilador de la unidad funcionará de forma pareja cuando la unidad no esté calentando ni refrescando. Si el sistema es configurado para funcionar con ventilador continuo, el ventilador interno funcionará sin importar que la unidad esté regrescando o calefaccionando. Otras veces, el ventilador funcionará por más tiempo que el ciclo de calefacción/ refrigeración o se iniciará ocasionalmente. Esto es normal y es realizado para mejorar el confort y balance del ambiente.
- Si la unidad está equipada con un sistema de ventilación de aire de reposición, algunos ventiladores funcionarán de forma continua.
- Es posible que note algunos minutos de retraso en el inicio, si intenta reiniciar el Zoneline demasiado pronto luego de apagarlo o si ajusta el termostato junto después de apagar el compresor. Esto se debe a que un protector de reinicio incorporado para el compresor genera un retraso de 3 minutos.
- Durante el ciclo de descongelación, tanto el ventilador interno como el externo se detendrán y el compresor funcionará en el modo de refrigeración para eliminar escarcha de la bobina externa.
- Para proteger el compresor y evitar ciclos cortos, la unidad fue diseñada para funcionar durante un mínimo de 3 minutos luego de que el compresor se inicie en cualquier configuración del termostato.



# Garantía del Zoneline de GE Appliances

Todo el servicio de garantía es provisto por nuestros Centros de Servicio de Fabricación, o un técnico autorizado del Servicio al Cliente (Customer Care®). Para programar una visita del servicio técnico a través de Internet, visítenos en GEAppliances.com, o llámenos al 844. GE4.PTAC (o 844.434.7822). Para acceder al servicio técnico en Canadá, comuníquese con su contratista de HVAC. Cuando llame para solicitar el servicio, tenga los números de serie y modelo disponibles.

Por el Período de:	GE Appliances Reemplazará:
<b>Un Año</b> <i>Desde la fecha de compra original</i>	<b>Cualquier parte</b> del acondicionador de aire que falle debido a un defecto en los materiales o la fabricación. <b>Durante esta garantía limitada de un año</b> , GE Appliances proveerá, <b>sin costo</b> , todo el trabajo y los costos del servicio relacionados con el reemplazo de la pieza que presente defectos.
<b>Cinco Años</b> <i>Desde la fecha de compra original</i>	<b>El Sistema de Refrigeración Sellado</b> , si cualquier pieza del sistema de refrigeración sellado (el compresor, condensador, evaporador y todas las cañerías de conexión, incluyendo el sistema de aire de reposición) falla debido a un defecto en los materiales o la fabricación. <b>Durante esta garantía limitada de cinco años</b> , GE Appliances proveerá, <b>sin costo</b> , todo el trabajo y los costos del servicio relacionados con el reemplazo de la pieza que presente defectos.
<b>El Segundo al Quinto Años</b> <i>Desde la fecha de compra original</i>	<b>Motores de Ventiladores, Interruptores, Termostato, Calentador, Protectores del Calentador, Sobrecarga del Compresor, Solenoides, Tableros de Circuitos, Controles Auxiliares, Termistores, Centinela de Refrigeración, Controles de Congelamiento, Bomba ICR, Capacitores, Varistores, Cojinetes del Ventilador Interno</b> , si cualquiera de estas piezas falla debido a un defecto en los materiales o la fabricación. Durante esta <b>garantía limitada adicional de cuatro años</b> , el cliente será responsable por cualquier trabajo o costos relacionados con el servicio técnico.

## Qué No Cubrirá GE Appliances:

- Viajes del técnico del servicio a su hogar para enseñarle sobre el uso del producto.
- Instalación, entrega o mantenimiento inadecuados.  
Si tiene un problema de instalación o el aire acondicionado no posee la capacidad de refrigeración adecuada con relación al uso deseado, contacte a su vendedor minorista o instalador. Usted es responsable de brindar instalaciones de conexión eléctrica adecuadas.
- En ubicaciones comerciales, el trabajo necesario para trasladar la unidad a una ubicación donde esté accesible para que un técnico pueda brindarle el servicio.
- Fallas o daños que resulten de la corrosión debido a la instalación en un ambiente donde haya químicos corrosivos.
- Reemplazo de fusibles o reinicio de disyuntores.
- Falla del producto como resultado de modificaciones en el mismo o debido a un uso irrazonable, incluyendo la falta de mantenimiento razonable o necesario.
- Fallas o daños como resultado de la corrosión, debido a instalaciones en ambientes costeros, excepto los modelos tratados con protección anticorrosiva con aplicación especial de fábrica, de acuerdo con lo designado en el número de modelo.
- Daños sobre el producto ocasionados por un nivel de suministro de voltaje inadecuado, accidente, incendio, inundaciones o catástrofes naturales.
- Daños consecuentes o incidentales sobre la propiedad personal causados por posibles defectos del acondicionador de aire.
- Daño causado luego de la entrega.
- Producto no accesible para brindar el servicio requerido.

**EXCLUSIÓN DE GARANTÍAS IMPLÍCITAS—Su única y exclusiva alternativa es la reparación del producto, como se indica en la Garantía Limitada. Las garantías implícitas, incluyendo garantías implícitas de comerciabilidad o conveniencia sobre un propósito particular, se limitan a un año o al período más corto permitido por la ley.**

Esta garantía se extiende al comprador original y a cualquier dueño subsiguiente de productos comprados para uso hogareño dentro de EE.UU y Canadá. Si el producto está ubicado en un área donde no se encuentra disponible un Proveedor Autorizado del Servicio Técnico de GE Appliances, usted será responsable por el costo de un viaje o se podrá requerir que traiga el producto a una ubicación del Servicio Técnico de GE Appliances Autorizado para recibir el servicio. En Alaska, la garantía excluye el costo de envío o llamadas del servicio a su hogar.

Algunos estados o provincias no permiten la exclusión o limitación de daños fortuitos o consecuentes. Esta garantía le da derechos legales específicos, y es posible que tenga otros derechos legales que varían entre un estado y otro, o entre una provincia y otra. Para conocer cuáles son sus derechos legales, consulte a la oficina de asuntos del consumidor local, estatal o provincial o al Fiscal de su estado.

**Garante : GE Appliances, a Haier company**

# Soporte al Cliente

---

## GE Appliances Sitio Web

¿Desea realizar una consulta o necesita ayuda con su electrodoméstico? ¡Intente a través del Sitio Web de Electrodomésticos de GE Appliances las 24 horas del día, cualquier día del año! Usted también puede comprar más grandiosos productos de GE Appliances y sacar ventaja de todos nuestros servicios a través de Internet diseñados para su conveniencia. En EE.UU.: [GEAppliances.com](http://GEAppliances.com)

---

## Registre su Electrodoméstico

¡Registre su electrodoméstico nuevo a través de Internet, según su conveniencia! Un registro puntual de su producto permitirá una mejor comunicación y un servicio más puntual de acuerdo con los términos de su garantía, en caso de surgir la necesidad. También puede enviar una carta en la tarjeta de inscripción pre-impresa que se incluye con el material embalado. En EE.UU.: [GEAppliances.com/register](http://GEAppliances.com/register)

---

## Servicio Programado

El servicio de reparación de expertos de GE Appliances está a sólo un paso de su puerta. ¡Conéctese a través de Internet y programe su servicio a su conveniencia cualquier día del año! En EE.UU.: [GEAppliances.com/ge/service-and-support/service.htm](http://GEAppliances.com/ge/service-and-support/service.htm) o llame al 844.GE4.PTAC (844.434.7822) durante el horario comercial habitual. Para acceder al servicio técnico en Canadá, comuníquese con su contratista de HVAC.

---

## Garantías Extendidas

Adquiera una garantía extendida de GE Appliances y aprenda sobre descuentos especiales que están disponibles mientras su garantía aún está vigente. La puede adquirir en cualquier momento a través de Internet. Los Servicios de GE Appliances aún estarán allí cuando su garantía caduque. En EE.UU.: [GEAppliances.com/ge/service-and-support/shop-for-extended-service-plans.htm](http://GEAppliances.com/ge/service-and-support/shop-for-extended-service-plans.htm) o llame al 800.626.2224 durante el horario comercial habitual.

---

## Conectividad Remota

Para solicitar asistencia con la conectividad de red inalámbrica (para modelos con activación remota), visite nuestro sitio Web en [GEAppliances.com/ge/connected-appliances/](http://GEAppliances.com/ge/connected-appliances/) o llame al 800.220.6899 en EE.UU.

---

## Piezas y Accesorios

Individuos calificados para realizar el servicio técnico de sus propios electrodomésticos podrán solicitar el envío de piezas o accesorios directamente a sus hogares (se aceptan las tarjetas VISA, MasterCard y Discover). Ordene a través de Internet hoy durante las 24 horas del día. En EE.UU.: [GEApplianceparts.com](http://GEApplianceparts.com) o por teléfono al 877.959.8688 durante el horario comercial habitual.

**Las instrucciones que figuran en este manual cubren los procedimientos que serán realizados por cualquier usuario. Otros servicios técnicos generalmente deberían ser derivados a personal calificado del servicio. Se deberá tener cuidado, ya que una reparación indebida podrá ocasionar que el funcionamiento no sea seguro.**

---

## Contáctenos

Si no se encuentra satisfecho con el servicio que recibió de GE Appliances, comuníquese con nosotros a través de nuestro sitio Web con todos los detalles, incluyendo su número telefónico, o escriba a:

En EE.UU.: General Manager, Customer Relations | GE Appliances, Appliance Park | Louisville, KY 40225 [GEAppliances.com/ge/service-and-support/contact.htm](http://GEAppliances.com/ge/service-and-support/contact.htm)