

Haier

MRV5-H Engineering Technical Manual



CONTENTS

1. Model Names	1
1.1 Indoor Unit	1
1.2 Outdoor Unit	2
1.2.1 Capacity Range	2
1.2.2 Dual Model 208/230V	2
1.2.3 Dual Model 460V	3
2. External Appearance	4
2.1 Indoor Unit	4
2.2 Outdoor Units	5
3. Combination of Outdoor Units	6
4. Specifications	7
5. Dimensions	32
6. Center of Gravity	35
7. Piping Diagrams	36
8. Wiring Diagrams	42
9. Electric Characteristics	44
10. Operation Limits	45
11. Capacity Table	46
12. Sound Levels (Reference Data)	318
13. Optional Accessories	319
14. Appendix	370
14.1 Branch Pipe Dimension	370
14.2 Gather Pipe Dimension	372
14.3 Piping Principles	374

PART 1 General Information

1. Model Names

1.1 Indoor Unit

Capacity Range (Ton)		0.4	0.6	0.75	1	1.25	1.5	2	2.5
Capacity Index (Kbtu)		5	7	9	12	15	18	24	30
One Way Cassette	MVAO	005ME	007ME	009ME	012ME	—	—	—	—
Compact Cassette (2*2)	MVAB	005MV	007MV	009MV	012MV	—	018MV	—	—
Large Cassette (3*3)	MVAL	—	007ME	009ME	012ME	015ME	018ME	024ME	030ME
Slim Duct	MVAD	—	007MV	009MV	012MV	—	018MV	024MV	—
Medium Static Duct	MVAM	—	007ME	009ME	012ME	015ME	018ME	024ME	030ME
High Static Duct	MVAH	—	—	—	—	—	—	—	—
Multi Position Air Handler	MVAX	—	—	009ME	012ME	—	018ME	024ME	030ME
Highwall	MVAW	—	007MV	009MV	012MV	—	018MV	024MV	030MV

Capacity Range (Ton)		3	3.5	4	4.5	5	6	8	Power Supply Standard
Capacity Index (Kbtu)		36	42	48	54	60	72	96	
One Way Cassette	MVAO	—	—	—	—	—	—	—	2AA
Compact Cassette (2*2)	MVAB	—	—	—	—	—	—	—	
Large Cassette (3*3)	MVAL	036ME	042ME	048ME	—	—	—	—	
Slim Duct	MVAD	—	—	—	—	—	—	—	
Medium Static Duct	MVAM	036ME	—	048ME	054ME	—	—	—	
High Static Duct	MVAH	—	—	—	—	—	072ME	096ME	
Multi Position Air Handler	MVAX	036ME	042ME	048ME	054ME	060ME	—	—	
Highwall	MVAW	—	—	—	—	—	—	—	

1.2 Outdoor Unit

1.2.1 Capacity Range

Capacity Range (Ton)		6	8	10	12	14	16	18	20	Power Supply Standard
Capacity Index (Kbtu)		72	96	120	144	168	192	216	240	
Dual Model	208/230V	072ME	096ME	120ME	144ME	168ME	192ME	216ME	240ME	2CA
	460V									4CA

Capacity Range (Ton)		22	24	26	28	30	32
Capacity Index (Kbtu)		264	288	312	336	360	384
Dual Model	208/230V	264ME	288ME	312ME	336ME	360ME	384ME
	460V						

Capacity Range (Ton)		34	36	38	Power Supply Standard
Capacity Index (Kbtu)		408	432	456	
Dual Model	208/230V	408ME	432ME	456ME	2CA
	460V				4CA

1.2.2 Dual Model 208/230V

Model Name	MVHQ072ME2CA	MVHQ096ME2CA	MVHQ120ME2CA	MVHQ144ME2CA
Outdoor Unit 1	MVHQ072ME2CA	MVHQ096ME2CA	MVHQ120ME2CA	MVHQ144ME2CA

Model Name	MVHQ168ME2CA	MVHQ192ME2CA	MVHQ216ME2CA	MVHQ240ME2CA
Outdoor Unit 1	MVHQ168ME2CA	MVHQ192ME2CA	MVHQ216ME2CA	MVHQ240ME2CA

Model Name	MVHQ264ME2CA	MVHQ288ME2CA	MVHQ312ME2CA	MVHQ336ME2CA
Outdoor Unit 1	MVHQ144ME2CA	MVHQ144ME2CA	MVHQ144ME2CA	MVHQ144ME2CA
Outdoor Unit 2	MVHQ120ME2CA	MVHQ144ME2CA	MVHQ168ME2CA	MVHQ192ME2CA

Model Name	MVHQ360ME2CA	MVHQ384ME2CA	MVHQ408ME2CA	MVHQ432ME2CA
Outdoor Unit 1	MVHQ168ME2CA	MVHQ192ME2CA	MVHQ192ME2CA	MVHQ216ME2CA
Outdoor Unit 2	MVHQ192ME2CA	MVHQ192ME2CA	MVHQ216ME2CA	MVHQ216ME2CA

Model Name	MVHQ456ME2CA
Outdoor Unit 1	MVHQ168ME2CA
Outdoor Unit 2	MVHQ168ME2CA
Outdoor Unit 3	MVHQ120ME2CA

1.2.3 Dual Model 460V

Model Name	MVHQ072ME4CA	MVHQ096ME4CA	MVHQ120ME4CA	MVHQ144ME4CA
Outdoor Unit 1	MVHQ072ME4CA	MVHQ096ME4CA	MVHQ120ME4CA	MVHQ144ME4CA

Model Name	MVHQ168ME4CA	MVHQ192ME4CA	MVHQ216ME4CA	MVHQ240ME4CA
Outdoor Unit 1	MVHQ168ME4CA	MVHQ192ME4CA	MVHQ216ME4CA	MVHQ240ME4CA

Model Name	MVHQ264ME4CA	MVHQ288ME4CA	MVHQ312ME4CA	MVHQ336ME4CA
Outdoor Unit 1	MVHQ144ME4CA	MVHQ144ME4CA	MVHQ144ME4CA	MVHQ144ME4CA
Outdoor Unit 2	MVHQ120ME4CA	MVHQ144ME4CA	MVHQ168ME4CA	MVHQ192ME4CA

Model Name	MVHQ360ME4CA	MVHQ384ME4CA	MVHQ408ME4CA	MVHQ432ME4CA
Outdoor Unit 1	MVHQ168ME4CA	MVHQ192ME4CA	MVHQ192ME4CA	MVHQ216ME4CA
Outdoor Unit 2	MVHQ192ME4CA	MVHQ192ME4CA	MVHQ216ME4CA	MVHQ216ME4CA

Model Name	MVHQ456ME4CA
Outdoor Unit 1	MVHQ168ME4CA
Outdoor Unit 2	MVHQ168ME4CA
Outdoor Unit 3	MVHQ120ME4CA

2. External Appearance

2.1 Indoor Unit

<p>One Way Cassette</p> <p>MVAO005ME2AA MVAO007ME2AA MVAO009ME2AA MVAO012ME2AA</p> 	<p>Compact Cassette (2*2)</p> <p>MVAB005MV2AA MVAB007MV2AA MVAB009MV2AA MVAB012MV2AA MVAB018MV2AA</p> 
<p>Large Cassette (3*3)</p> <p>MVAL007ME2AA MVAL009ME2AA MVAL012ME2AA MVAL015ME2AA MVAL018ME2AA MVAL024ME2AA MVAL030ME2AA MVAL036ME2AA MVAL042ME2AA MVAL048ME2AA</p> 	<p>Slim Duct</p> <p>MVAD007MV2AA MVAD009MV2AA MVAD012MV2AA MVAD018MV2AA MVAD024MV2AA</p> 
<p>Medium Static Duct</p> <p>MVAM007ME2AA MVAM009ME2AA MVAM012ME2AA MVAM015ME2AA MVAM018ME2AA MVAM024ME2AA MVAM036ME2AA MVAM048ME2AA MVAM054ME2AA</p> 	<p>High Static Duct</p> <p>MVAH072ME2AA MVAH096ME2AA</p> 
<p>Multi Position Air Handler</p> <p>MVAX009ME2AA MVAX012ME2AA MVAX018ME2AA MVAX024ME2AA MVAX030ME2AA MVAX036ME2AA MVAX042ME2AA MVAX048ME2AA MVAX054ME2AA MVAX060ME2AA</p> 	<p>Highwall</p> <p>MVAW007MV2AA MVAW009MV2AA MVAW012MV2AA MVAW018MV2AA MVAW024MV2AA MVAW030MV2AA</p> 

2.2 Outdoor Units

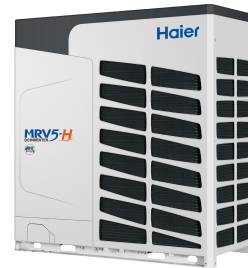
MVHQ072ME2CA
MVHQ072ME4CA



MVHQ096/120/144ME2CA
MVHQ096/120/144ME4CA



MVHQ168/192/216/240ME2CA
MVHQ168/192/216/240ME4CA



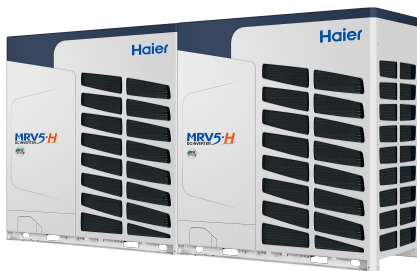
MVHQ264/288ME2CA
MVHQ264/288ME4CA



MVHQ312/336ME2CA
MVHQ312/336ME4CA



MVHQ360/384/408/432ME2CA
MVHQ360/384/408/432ME4CA



MVHQ456ME2CA
MVHQ456ME4CA



3. Combination of Outdoor Units

Model Name	System Capacity (Ton)	Number of Units	Module							
			72	96	120	144	168	192	216	240
MVHQ072ME2CA MVHQ072ME4CA	6		•							
MVHQ096ME2CA MVHQ096ME4CA	8			•						
MVHQ120ME2CA MVHQ120ME4CA	10				•					
MVHQ144ME2CA MVHQ144ME4CA	12					•				
MVHQ168ME2CA MVHQ168ME4CA	14						•			
MVHQ192ME2CA MVHQ192ME4CA	16							•		
MVHQ216ME2CA MVHQ216ME4CA	18								•	
MVHQ240ME2CA MVHQ240ME4CA	20									•
MVHQ264ME2CA MVHQ264ME4CA	22				•	•				
MVHQ288ME2CA MVHQ288ME4CA	24					••				
MVHQ312ME2CA MVHQ312ME4CA	26					•	•			
MVHQ336ME2CA MVHQ336ME4CA	28					•		•		
MVHQ360ME2CA MVHQ360ME4CA	30						•	•		
MVHQ384ME2CA MVHQ384ME4CA	32							••		
MVHQ408ME2CA MVHQ408ME4CA	34							•	•	
MVHQ432ME2CA MVHQ432ME4CA	36								••	
MVHQ456ME2CA MVHQ456ME4CA	38				•		••			

Note:

For multiple connection, the outdoor unit multi connection piping kit is required.

PART 2 Engineering Data

4. Specifications

230V VRF Outdoor Unit

Items		New Heat Pump & Heat Recovery		
	Marketing Model Name	MVHQ072ME2CA	MVHQ096ME2CA	MVHQ120ME2CA
Model Name	System	6T	8T	10T
	Combination	/	/	/
	Brand	Haier	Haier	Haier
	Normal Capacity (Btu/h)	72000	96000	120000
	Factory Model Number	AV08CMVURAB	AV10CMVURAB	AV12CMVURAB
Electrical	Voltage, Cycle, Phase V/Hz/-	208-230/60/3	208-230/60/3	208-230/60/3
	Maximum Fuse Size A	40	50	60
	Minimum Circuit Amp A	30	38	41
Performance Non-Ducted	Rated Cooling Capacity@95°F (Btu/h)	69000	91000	115000
	EER @95 °F	12.60	11.90	11.60
	IEER	23.60	23.10	23.00
	Rated Heating Capacity @47°F(Btu/h)	77000	103000	129000
	COP @ 47°F	3.50	3.50	3.50
	Rated Heating Capacity@17°F(Btu/h)	53000	72000	84000
	COP @ 17°F	2.40	2.40	2.50
	SCHE	24.4	23	21.7
	(115°F) Cooling Capacity(Btu/h)	≥80% of rated	≥80% of rated	≥80% of rated
	Heating Capacity @5° (-15C)	≥80% of rated	≥80% of rated	≥80% of rated
	Heating Capacity @-4°F (-20C)	≥70% of rated	≥70% of rated	≥70% of rated
	Heating Capacity @-13°F (-25C)	≥60% of rated	≥60% of rated	≥60% of rated
Heating capacity @-22°F (-30C)	≥25% of rated	≥25% of rated	≥25% of rated	
Performance Ducted	Rated Cooling Capacity@95°F (Btu/h)	69000	91000	115000
	EER @95 °F	12.00	12.20	11.20
	IEER	20.50	21.80	21.60
	Rated Heating Capacity @47°F(Btu/h)	77000	103000	129000
	COP @ 47°F	3.50	3.50	3.50
	Rated Heating Capacity@17°F(Btu/h)	53000	72000	84000
	COP @ 17°F	2.40	2.40	2.50
	SCHE	20	21.4	21.4
	(115°F) Cooling Capacity(Btu/h)	≥80% of rated	≥80% of rated	≥80% of rated
	Heating Capacity @5°F	≥80% of rated	≥80% of rated	≥80% of rated
	Heating Capacity @-4°F	≥70% of rated	≥70% of rated	≥70% of rated
	Heating Capacity @-13°F	≥60% of rated	≥60% of rated	≥60% of rated
Heating capacity @-22°F (-30C)	≥25% of rated	≥25% of rated	≥25% of rated	

Items		New Heat Pump & Heat Recovery		
	Marketing Model Name	MVHQ072ME2CA	MVHQ096ME2CA	MVHQ120ME2CA
Operation Range	Working Temp.Cooling F° + Snow Hood	-4F-122F(-20~50)		
	Working Temp.Heating F°	-22F~60F(-30~15.5)		
ODU	Sound Pressure dB(A)	60	61	61
	Acoustic Power dB(A)	77	81	81
	Net Dimension: Height in (mm)	66-1/2 (1689)	66-1/2 (1689.1)	66-1/2 (1689.1)
	Net Dimension: Width in (mm)	38-5/8 (981)	55-1/2 (1410)	55-1/2 (1410)
	Net Dimension: Depth in (mm)	29-1/2 (749)	29-1/2 (749)	29-1/2 (749)
	Wood Crafted Dimension H*W*D (in.)	75*44*35 (1910×1120×880)	75*61*35 (1910×1550×880)"	75*61*35 (1910×1550×880)
	Net Weight (kg)	275	343	343
	Wood Crafted Gross Weight (kg)	354	438	438
	Net Weight (lbs)	606	756	756
	Wood Crafted Gross Weight (lbs)	780	966	966
	Factory ref. charge (oz)	511.5	754.8	754.8
	Stuffing Quantity (40' Standard)	26	13	13
Connection Ratio	Maxium Number of Indoor Units	15	18	21
	Recommended IDU qty	10	13	17
	Connection Ratio (IDU/ODU Capacity)	50% ~ 130%	50% ~ 130%	50% ~ 130%
Compressor	DC Inverter EVI Compressors*qty	ANB66FZPMT * 1	ANB78FZPMT * 1	ANB78FZPMT * 1
Refrigerant Piping	Maximum Total Line Length Ft / m	3280ft/1000m		
	Maximum Height Ft / m	295ft/90m		
	Liquid pipe O.D. I in (mm)	3/8(9.52)	1/2(12.7)	1/2(12.7)
	Gas pipe O.D. I in (mm)	7/8(22.22)	7/8(22.22)	1 1/8(28.58)
	High Gas Pipe O.D. I in (mm)	7/8(22.22)	7/8(22.22)	1 1/8(28.58)
	Piping kits			
	ETL Per 60335	Yes	Yes	Yes
	AHRI	Yes	Yes	Yes
Other	Countries of Sale	USA & CAN	USA & CAN	USA & CAN
	UPC	/	/	/
	Warranty	10 year compressor 10 year parts 0 labor	10 year compressor 10 year parts 0 labor	10 year compressor 10 year parts 0 labor
	Languages	English, French, Spanish for IM	English, French, Spanish for IM	English, French, Spanish for IM
Features and Benefits	MRV-LINK	Yes	Yes	Yes
	Anti-Corrosion	1000 hrs per ASTM B117	1000 hrs per ASTM B117	1000 hrs per ASTM B117
	Rotary Control Box for Convenient Maintenance	Yes	Yes	Yes
	Automatic Oil Sharing for Easy Installation	Yes	Yes	Yes

Items		New Heat Pump & Heat Recovery		
	Marketing Model Name	MVHQ144ME2CA	MVHQ168ME2CA	MVHQ192ME2CA
Model Name	System	12T	14T	16T
	Combination	/	/	/
	Brand	Haier	Haier	Haier
	Norminal Capacity (Btu/h)	144000	168,000	192,000
	Factory Model Number	AV14CMVURAB	AV16CMVURAB	AV18CMVURAB
Electrical	Voltage, Cycle, Phase V/Hz/-	208-230/60/3	208-230/60/3	208-230/60/3
	Maximum Fuse Size A	80	90	110
	Minimum Circuit Amp A	56	59	71
Performance Non-Ducted	Rated Cooling Capacity@95°F(Btu/h)	138000	160000	184000
	EER @95 °F	10.80	11.40	11.20
	IEER	20.00	23.20	22.20
	Rated Heating Capacity@47°F(Btu/h)	154000	180000	206000
	COP @ 47°F	3.40	3.60	3.50
	Rated Heating Capacity@17°F(Btu/h)	108000	122000	138000
	COP @ 17°F	2.40	2.50	2.40
	SCHE	21.6	26	26.7
	(115°F) Cooling Capacity (Btu/h)	≥80% of rated	≥80% of rated	≥80% of rated
	Heating Capacity @5° (-15C)	≥80% of rated	≥80% of rated	≥80% of rated
	Heating Capacity @-4°F (-20C)	≥70% of rated	≥70% of rated	≥70% of rated
	Heating Capacity @-13°F (-25C)	≥60% of rated	≥60% of rated	≥60% of rated
	Heating Capacity @-22°F (-30C)	≥25% of rated	≥25% of rated	≥25% of rated
Performance Ducted	Rated Cooling Capacity@95°F (Btu/h)	138000	160000	184000
	EER @95 °F	10.80	11.50	11.30
	IEER	20.30	21.50	21.10
	Rated Heating Capacity @47°F(Btu/h)	154000	180000	206000
	COP @ 47°F	3.40	3.40	3.30
	Rated Heating Capacity@17°F(Btu/h)	108000	122000	138000
	COP @ 17°F	2.40	2.40	2.40
	SCHE	20.6	24.7	24.4
	(115°F) Cooling capacity(Btu/h)	≥80% of rated	≥80% of rated	≥80% of rated
	Heating Capacity @5°F	≥80% of rated	≥80% of rated	≥80% of rated
	Heating Capacity @-4°F	≥70% of rated	≥70% of rated	≥70% of rated
	Heating Capacity @-13°F	≥60% of rated	≥60% of rated	≥60% of rated
	Heating Capacity @-22°F (-30C)	≥25% of rated	≥25% of rated	≥25% of rated

Items		New Heat Pump & Heat Recovery		
	Marketing Model Name	MVHQ144ME2CA	MVHQ168ME2CA	MVHQ192ME2CA
Operation Range	Working Temp.Cooling F° + Snow Hood	-4F-122F(-20~50)		
	Working Temp.Heating F°	-22F~60F(-30~15.5)		
ODU	Sound Pressure dB(A)	62	72	72
	Acoustic Power dB(A)	83	86	86
	Net Dimension: Height in (mm)	66-1/2 (1689.1)	73-1/4 (1858)	73-1/4 (1858)
	Net Dimension: Width in (mm)	55-1/2 (1410)	70-1/4 (1785)	70-1/4 (1785)
	Net Dimension: Depth in (mm)	29-1/2 (749)	32-1/4 (830)	32-1/4 (830)
	Wood Crafted Dimension H*W*D (in.)	75*61*35 (1910×1550×880)	80*75*38 (2032x1905*965)	80*75*38 (2032x1905*965)
	Net Weight (kg)	406	478	478
	Wood Crafted Gross Weight (kg)	501	591	591
	Net Weight (lbs)	895	1162	1162
	Wood Crafted Gross Weight (lbs)	1105	1354	1354
	Factory ref. charge (oz)	783.1	1040.6	1040.6
	Stuffing Quantity (40' Standard)	13	12	12
Connection Ratio	Maxium Number of Indoor Units	24	33	36
	Recommended IDU qty	20	23	26
	Connection Ratio (IDU/ODU Capacity)	50% — 130%	50% — 130%	50% — 130%
Compressor	DC Inverter EVI Compressors*qty	ANB66FZPMT * 2	ANB78FZPMT*2	ANB78FZPMT*2
Refrigerant piping	Maximum Total Line Length Ft / m	3280ft/1000m		
	Maximum Height Ft / m	295ft/90m		
	Liquid Pipe O.D. I in (mm)	1/2(12.7)	5/8(15.88)	5/8(15.88)
	Gas Pipe O.D. I in (mm)	1 1/8(28.58)	1-1/4(28.58)	1-1/4(28.58)
	High Gas Pipe O.D. I in (mm)	1 1/8(28.58)	1 1/8(28.58)	1 1/8(28.58)
	Piping kits			
	ETL Per 60335	Yes	Yes	Yes
	AHRI	Yes	Yes	Yes
Other	Countries of Sale	USA & CAN	USA & CAN	USA & CAN
	UPC	/	/	/
	Warranty	10 year compressor 10 year parts 0 labor	10 year compressor 10 year parts 0 labor	10 year compressor 10 year parts 0 labor
	Languages	English, French, Spanish for IM	English, French, Spanish for IM	English, French, Spanish for IM
Features and Benefits	MRV-LINK	Yes	Yes	Yes
	Anti-Corrosion	1000 hrs per ASTM B117	1000 hrs per ASTM B117	1000 hrs per ASTM B117
	Rotary Control Box for Convenient Maintenance	Yes	Yes	Yes
	Automatic Oil Sharing for Easy Installation	Yes	Yes	Yes

Items		New Heat Pump & Heat Recovery		
	Marketing Model Name	MVHQ216ME2CA	MVHQ240ME2CA	MVHQ264ME2CA
Model Name	System	18T	20T	22T
	Combination	/	/	10T+12T
	Brand	Haier	Haier	Haier
	Norminal Capacity (Btu/h)	216,000	240,000	264000
	Factory Model Number	AV20CMVURAB	AV22CMVURAB	/
Electrical	Voltage, Cycle, Phase V/Hz/-	208-230/60/3	208-230/60/3	208-230/60/3
	Maximum Fuse Size A	125	135	50+80
	Minimum Circuit Amp A	83	87	41+56
Performance Non-Ducted	Rated Cooling Capacity@95°F(Btu/h)	206000	222000	253000
	EER @95 °F	10.90	10.10	10.10
	IEER	22.00	20.30	18.80
	Rated Heating Capacity@47°F(Btu/h)	232000	240000	282000
	COP @ 47°F	3.50	3.40	3.30
	Rated Heating Capacity@17°F(Btu/h)	156000	168000	192000
	COP @ 17°F	2.40	2.40	2.30
	SCHE	25.6	24.6	25.2
	(115°F) Cooling Capacity (Btu/h)	≥80% of rated	≥80% of rated	≥80% of rated
	Heating Capacity @5° (-15C)	≥80% of rated	≥80% of rated	≥80% of rated
	Heating Capacity @-4°F (-20C)	≥70% of rated	≥70% of rated	≥70% of rated
	Heating Capacity @-13°F (-25C)	≥60% of rated	≥60% of rated	≥60% of rated
	Heating Capacity @-22°F (-30C)	≥25% of rated	≥25% of rated	≥25% of rated
Performance Ducted	Rated Cooling Capacity@95°F (Btu/h)	206000	222000	253000
	EER @95 °F	11.30	10.60	9.80
	IEER	20.80	20.30	19.40
	Rated Heating Capacity @47°F(Btu/h)	232000	240000	282000
	COP @ 47°F	3.30	3.30	3.30
	Rated Heating Capacity@17°F(Btu/h)	156000	168000	192000
	COP @ 17°F	2.40	2.30	2.30
	SCHE	24.2	23.6	23.3
	(115°F) Cooling capacity(Btu/h)	≥80% of rated	≥80% of rated	≥80% of rated
	Heating Capacity @5°F	≥80% of rated	≥80% of rated	≥80% of rated
	Heating Capacity @-4°F	≥70% of rated	≥70% of rated	≥70% of rated
	Heating Capacity @-13°F	≥60% of rated	≥60% of rated	≥60% of rated
	Heating Capacity @-22°F (-30C)	≥25% of rated	≥25% of rated	≥25% of rated

Items		New Heat Pump & Heat Recovery		
	Marketing Model Name	MVHQ216ME2CA	MVHQ240ME2CA	MVHQ264ME2CA
Operation Range	Working Temp.Cooling F° + Snow Hood	-4F-122F(-20~50)		
	Working Temp.Heating F°	-22F~60F(-30~15.5)		
ODU	Sound Pressure dB(A)	72	72	65
	Acoustic Power dB(A)	86	86	86
	Net Dimension: Height in (mm)	73-1/4 (1858)	73-1/4 (1858)	66-1/2
	Net Dimension: Width in (mm)	70-1/4 (1785)	70-1/4 (1785)	55-1/2+55-1/2
	Net Dimension: Depth in (mm)	32-1/4 (830)	32-1/4 (830)	29-1/2
	Wood Crafted Dimension H*W*D (in.)	80*75*38 (2032x1905*965)	80*75*38 (2032x1905*965)	75*61*35+75*61*35
	Net Weight (kg)	478	478	343+406
	Wood Crafted Gross Weight (kg)	591	591	438+501
	Net Weight (lbs)	1162	1162	756+895
	Wood Crafted Gross Weight (lbs)	1354	1354	802+928
	Factory ref. charge (oz)	1040.6	1040.6	754.8+783.1
	Stuffing Quantity (40' Standard)	12	12	/
Connection Ratio	Maxium Number of Indoor Units	39	39	45
	Recommended IDU qty	29	29	35
	Connection Ratio (IDU/ODU Capacity)	50% — 130%	50% — 130%	50% — 130%
Compressor	DC Inverter EVI Compressors*qty	ANB78FZPMT*2	ANB78FZPMT*2	ANB78FZPMT * 1 ANB66FZPMT * 2
Refrigerant piping	Maximum Total Line Length Ft / m	3280ft/1000m		
	Maximum Height Ft / m	295ft/90m		
	Liquid Pipe O.D. I in (mm)	5/8(15.88)	3/4 (19.05)	1/2(12.7)+1/2(12.7)
	Gas Pipe O.D. I in (mm)	1-1/4(28.58)	1-1/2 (38.1)	1 1/8(28.58)+1 1/8(28.58)
	High Gas Pipe O.D. I in (mm)	1 1/8(28.58)	1-1/2 (38.1)	1 1/8(28.58)+1 1/8(28.58)
	Piping kits			HZG-R20B
	ETL Per 60335	Yes	Yes	Yes
	AHRI	Yes	Yes	Yes
Other	Countries of Sale	USA & CAN	USA & CAN	USA & CAN
	UPC	/	/	
	Warranty	10 year compressor 10 year parts 0 labor	10 year compressor 10 year parts 0 labor	10 year compressor 10 year parts 0 labor
	Languages	English, French, Spanish for IM	English, French, Spanish for IM	English, French, Spanish for IM
Features and Benefits	MRV-LINK	Yes	Yes	Yes
	Anti-Corrosion	1000 hrs per ASTM B117	1000 hrs per ASTM B117	1000 hrs per ASTM B117
	Rotary Control Box for Convenient Maintenance	Yes	Yes	Yes
	Automatic Oil Sharing for Easy Installation	Yes	Yes	Yes

Items		New Heat Pump & Heat Recovery		
	Marketing Model Name	MVHQ288ME2CA	MVHQ312ME2CA	MVHQ336ME2CA
Model Name	System	24T	26T	28T
	Combination	12T+12T	12T+14T	12T+16T
	Brand	Haier	Haier	Haier
	Norminal Capacity (Btu/h)	288000	312000	336000
	Factory Model Number	/	/	/
Electrical	Voltage, Cycle, Phase V/Hz/-	208-230/60/3	208-230/60/3	208-230/60/3
	Maximum Fuse Size A	80+80	80+90	80+110
	Minimum Circuit Amp A	56+56	56+59	56+71
Performance Non-Ducted	Rated Cooling Capacity@95°F(Btu/h)	276000	299000	322000
	EER @95 °F	9.80	9.90	9.70
	IEER	18.40	18.50	18.10
	Rated Heating Capacity@47°F(Btu/h)	308000	334000	360000
	COP @ 47°F	3.20	3.20	3.10
	Rated Heating Capacity@17°F(Btu/h)	216000	228000	240000
	COP @ 17°F	2.20	2.30	2.20
	SCHE	24.8	24	22.3
	(115°F) Cooling Capacity (Btu/h)	≥80% of rated	≥80% of rated	≥80% of rated
	Heating Capacity @5° (-15C)	≥80% of rated	≥80% of rated	≥80% of rated
	Heating Capacity @-4°F (-20C)	≥70% of rated	≥70% of rated	≥70% of rated
	Heating Capacity @-13°F (-25C)	≥60% of rated	≥60% of rated	≥60% of rated
	Heating Capacity @-22°F (-30C)	≥25% of rated	≥25% of rated	≥25% of rated
Performance Ducted	Rated Cooling Capacity@95°F (Btu/h)	276000	299000	322000
	EER @95 °F	9.70	9.70	9.60
	IEER	18.50	18.20	18.00
	Rated Heating Capacity @47°F(Btu/h)	308000	334000	360000
	COP @ 47°F	3.20	3.20	3.10
	Rated Heating Capacity@17°F(Btu/h)	216000	228000	240000
	COP @ 17°F	2.30	2.30	2.20
	SCHE	23.3	22.9	22.4
	(115°F) Cooling capacity(Btu/h)	≥80% of rated	≥80% of rated	≥80% of rated
	Heating Capacity @5°F	≥80% of rated	≥80% of rated	≥80% of rated
	Heating Capacity @-4°F	≥70% of rated	≥70% of rated	≥70% of rated
	Heating Capacity @-13°F	≥60% of rated	≥60% of rated	≥60% of rated
	Heating Capacity @-22°F (-30C)	≥25% of rated	≥25% of rated	≥25% of rated

Items		New Heat Pump & Heat Recovery		
	Marketing Model Name	MVHQ288ME2CA	MVHQ312ME2CA	MVHQ336ME2CA
Operation Range	Working Temp.Cooling F° + Snow Hood	-4F-122F(-20~50)		
	Working Temp.Heating F°	-22F~60F(-30~15.5)		
ODU	Sound Pressure dB(A)	65	67	72
	Acoustic Power dB(A)	86	87	88
	Net Dimension: Height in (mm)	66-1/2	73-1/4	73-1/4
	Net Dimension: Width in (mm)	55-1/2+55-1/2	55-1/2+70-1/4	55-1/2+70-1/4
	Net Dimension: Depth in (mm)	29-1/2	32-1/4	32-1/4
	Wood Crafted Dimension H*W*D (in.)	75*61*35+75*61*35	75*61*35+80*75*38	75*61*35+80*75*38
	Net Weight (kg)	406+406	406+478	406+478
	Wood Crafted Gross Weight (kg)	501+501	501+530	501+530
	Net Weight (lbs)	891+895	895+1162	895+1162
	Wood Crafted Gross Weight (lbs)	928+928	928+1354	928+1354
	Factory ref. charge (oz)	783.1+783.1	783.1+1040.6	783.1+1040.6
	Stuffing Quantity (40' Standard)	/	/	/
Connection Ratio	Maximum Number of Indoor Units	48	57	60
	Recommended IDU qty	38	42	45
	Connection Ratio (IDU/ODU Capacity)	50% — 130%	50% — 130%	50% — 130%
Compressor	DC Inverter EVI Compressors*qty	ANB66FZPMT * 4	ANB66FZPMT * 2 ANB78FZPMT * 2	ANB66FZPMT * 2 ANB78FZPMT * 2
	Maximum Total Line Length Ft / m	3280ft/1000m		
Refrigerant piping	Maximum Height Ft / m	295ft/90m		
	Liquid Pipe O.D. I in (mm)	1/2(12.7)+1/2(12.7)	1/2(12.7)+5/8 (15.88)	1/2(12.7)+5/8 (15.88)
	Gas Pipe O.D. I in (mm)	1 1/8(28.58)+1 1/8(28.58)	1 1/8(28.58)+1 1/8(28.58)	1 1/8(28.58)+1 1/8(28.58)
	High Gas Pipe O.D. I in (mm)	1 1/8(28.58)+1 1/8(28.58)	1 1/8(28.58)+1 1/8(28.58)	1 1/8(28.58)+1 1/8(28.58)
	Piping kits	HZG-R20B	HZG-R20B	HZG-R20B
	ETL Per 60335	ETL Per 60335	Yes	Yes
AHRI		Yes	Yes	Yes
Other	Countries of Sale	USA & CAN	USA & CAN	USA & CAN
	UPC			
	Warranty	10 year compressor 10 year parts 0 labor	10 year compressor 10 year parts 0 labor	10 year compressor 10 year parts 0 labor
	Languages	English, French, Spanish for IM	English, French, Spanish for IM	English, French, Spanish for IM
Features and Benefits	MRV-LINK	Yes	Yes	Yes
	Anti-Corrosion	1000 hrs per ASTM B117	1000 hrs per ASTM B117	1000 hrs per ASTM B117
	Rotary Control Box for Convenient Maintenance	Yes	Yes	Yes
	Automatic Oil Sharing for Easy Installation	Yes	Yes	Yes

Items		New Heat Pump & Heat Recovery		
	Marketing Model Name	MVHQ360ME2CA	MVHQ384ME2CA	MVHQ408ME2CA
Model Name	System	30T	32T	34T
	Combination	14T+16T	16T+16T	16T+18T
	Brand	Haier	Haier	Haier
	Norminal Capacity (Btu/h)	360000	384000	408000
	Factory Model Number	/	/	/
Electrical	Voltage, Cycle, Phase V/Hz/-	208-230/60/3	208-230/60/3	208-230/60/3
	Maximum Fuse Size A	90+110	110+110	110+125
	Minimum Circuit Amp A	59+71	71+71	71+83
Performance Non-Ducted	Rated Cooling Capacity@95°F(Btu/h)	345000	364000	380000
	EER @95 °F	9.90	9.70	9.20
	IEER	18.50	18.40	18.10
	Rated Heating Capacity@47°F(Btu/h)	372000	384000	410000
	COP @ 47°F	3.20	3.20	3.20
	Rated Heating Capacity@17°F(Btu/h)	252000	268000	284000
	COP @ 17°F	2.20	2.20	2.20
	SCHE	22.2	20.5	19.1
	(115°F) Cooling Capacity (Btu/h)	≥80% of rated	≥80% of rated	≥80% of rated
	Heating Capacity @5° (-15C)	≥80% of rated	≥80% of rated	≥80% of rated
	Heating Capacity @-4°F (-20C)	≥70% of rated	≥70% of rated	≥70% of rated
	Heating Capacity @-13°F (-25C)	≥60% of rated	≥60% of rated	≥60% of rated
	Heating Capacity @-22°F (-30C)	≥25% of rated	≥25% of rated	≥25% of rated
Performance Ducted	Rated Cooling Capacity@95°F (Btu/h)	345000	364000	380000
	EER @95 °F	9.70	9.40	9.30
	IEER	18.20	18.50	18.50
	Rated Heating Capacity @47°F(Btu/h)	372000	384000	410000
	COP @ 47°F	3.20	3.30	3.20
	Rated Heating Capacity@17°F(Btu/h)	252000	268000	284000
	COP @ 17°F	2.30	2.30	2.20
	SCHE	22.1	20.8	19.2
	(115°F) Cooling capacity(Btu/h)	≥80% of rated	≥80% of rated	≥80% of rated
	Heating Capacity @5°F	≥80% of rated	≥80% of rated	≥80% of rated
	Heating Capacity @-4°F	≥70% of rated	≥70% of rated	≥70% of rated
	Heating Capacity @-13°F	≥60% of rated	≥60% of rated	≥60% of rated
	Heating Capacity @-22°F (-30C)	≥25% of rated	≥25% of rated	≥25% of rated

Items		New Heat Pump & Heat Recovery		
	Marketing Model Name	MVHQ360ME2CA	MVHQ384ME2CA	MVHQ408ME2CA
Operation Range	Working Temp.Cooling F° + Snow Hood	-4F-122F(-20~50)		
	Working Temp.Heating F°	-22F~60F(-30~15.5)		
ODU	Sound Pressure dB(A)	72	73	73
	Acoustic Power dB(A)	88	89	89
	Net Dimension: Height in (mm)	73-1/4	73-1/4	73-1/4
	Net Dimension: Width in (mm)	70-1/4 +70-1/4	70-1/4 +70-1/4	70-1/4 +70-1/4
	Net Dimension: Depth in (mm)	32-1/4	32-1/4	32-1/4
	Wood Crafted Dimension H*W*D (in.)	80*75*38+80*75*38	80*75*38+80*75*38	80*75*38+80*75*38
	Net Weight (kg)	478+478	478+478	478+478
	Wood Crafted Gross Weight (kg)	530+530	530+530	530+530
	Net Weight (lbs)	1162+1162	1162+1162	1162+1162
	Wood Crafted Gross Weight (lbs)	1354+1354	1354+1354	1354+1354
	Factory ref. charge (oz)	1040.6+1040.6	1040.6+1040.6	1040.6
	Stuffing Quantity (40' Standard)	/	/	/
Connection Ratio	Maxium Number of Indoor Units	64	64	64
	Recommended IDU qty	49	52	55
	Connection Ratio (IDU/ODU Capacity)	50% — 130%	50% — 130%	50% — 130%
Compressor	DC Inverter EVI Compressors*qty	ANB78FZPMT*4	ANB78FZPMT*4	ANB78FZPMT*4
Refrigerant piping	Maximum Total Line Length Ft / m	3280ft/1000m		
	Maximum Height Ft / m	295ft/90m		
	Liquid Pipe O.D. I in (mm)	5/8 (15.88)+5/8 (15.88)	5/8 (15.88)+5/8 (15.88)	5/8 (15.88)+5/8 (15.88)
	Gas Pipe O.D. I in (mm)	1 1/8(28.58)+1 1/8(28.58)	1 1/8(28.58)+1 1/8(28.58)	1 1/8(28.58)+1 1/8(28.58)
	High Gas Pipe O.D. I in (mm)	1 1/8(28.58)+1 1/8(28.58)	1 1/8(28.58)+1 1/8(28.58)	1 1/8(28.58)+1 1/8(28.58)
	Piping kits	HZG-R20B	HZG-R20B	HZG-R20B
	ETL Per 60335	Yes	Yes	Yes
	AHRI	Yes	Yes	Yes
Other	Countries of Sale	USA & CAN	USA & CAN	USA & CAN
	UPC			
	Warranty	10 year compressor 10 year parts 0 labor	10 year compressor 10 year parts 0 labor	10 year compressor 10 year parts 0 labor
	Languages	English, French, Spanish for IM	English, French, Spanish for IM	English, French, Spanish for IM
Features and Benefits	MRV-LINK	Yes	Yes	Yes
	Anti-Corrosion	1000 hrs per ASTM B117	1000 hrs per ASTM B117	1000 hrs per ASTM B117
	Rotary Control Box for Convenient Maintenance	Yes	Yes	Yes
	Automatic Oil Sharing for Easy Installation	Yes	Yes	Yes

Items		New Heat Pump & Heat Recovery	
	Marketing Model Name	MVHQ432ME2CA	MVHQ456ME4CA
Model Name	System	36T	38T
	Combination	18T+18T	10T+14T+14T
	Brand	Haier	Haier
	Norminal Capacity (Btu/h)	432000	456000
	Factory Model Number	/	/
Electrical	Voltage, Cycle, Phase V/Hz/-	208-230/60/3	460V/60/3
	Maximum Fuse Size A	125+125	60+125+125
	Minimum Circuit Amp A	83+83	41+83+83
Performance Non-Ducted	Rated Cooling Capacity@95°F(Btu/h)	400000	437000
	EER @95 °F	8.90	8.90
	IEER	17.50	16.8
	Rated Heating Capacity@47°F(Btu/h)	420000	488000
	COP @ 47°F	3.20	3.20
	Rated Heating Capacity@17°F(Btu/h)	300000	342000
	COP @ 17°F	2.10	2.10
	SCHE	17.9	19.2
	(115°F) Cooling Capacity (Btu/h)	≥80% of rated	≥80% of rated
	Heating Capacity @5° (-15C)	≥80% of rated	≥80% of rated
	Heating Capacity @-4°F (-20C)	≥70% of rated	≥70% of rated
	Heating Capacity @-13°F (-25C)	≥60% of rated	≥60% of rated
	Heating Capacity @-22°F (-30C)	≥25% of rated	≥25% of rated
Performance Ducted	Rated Cooling Capacity@95°F (Btu/h)	400000	437000
	EER @95 °F	9.00	9.00
	IEER	18.10	17.5
	Rated Heating Capacity @47°F(Btu/h)	420000	488000
	COP @ 47°F	3.20	3.20
	Rated Heating Capacity@17°F(Btu/h)	300000	342000
	COP @ 17°F	2.20	2.20
	SCHE	17.6	18.6
	(115°F) Cooling capacity(Btu/h)	≥80% of rated	≥80% of rated
	Heating Capacity @5°F	≥80% of rated	≥80% of rated
	Heating Capacity @-4°F	≥70% of rated	≥70% of rated
	Heating Capacity @-13°F	≥60% of rated	≥60% of rated
	Heating Capacity @-22°F (-30C)	≥25% of rated	≥25% of rated

Items		New Heat Pump & Heat Recovery	
	Marketing Model Name	MVHQ432ME2CA	MVHQ456ME4CA
Operation Range	Working Temp.Cooling F° + Snow Hood	-4F-122F(-20~50)	
	Working Temp.Heating F°	-22F~60F(-30~15.5)	
ODU	Sound Pressure dB(A)	74	74
	Acoustic Power dB(A)	90	90
	Net Dimension: Height in (mm)	73-1/4	66-1/2+73-1/4 +73-1/4
	Net Dimension: Width in (mm)	70-1/4 +70-1/4	55-1/2+70-1/4 +70-1/4
	Net Dimension: Depth in (mm)	32-1/4	29-1/2+32-1/4+32-1/4
	Wood Crafted Dimension H*W*D (in.)	80*75*38+80*75*38	75*61*35+80*75*38+80*75*38
	Net Weight (kg)	478+478	343+478+478
	Wood Crafted Gross Weight (kg)	530+530	438+530+530
	Net Weight (lbs)	1162+1162	756+1162+1162
	Wood Crafted Gross Weight (lbs)	1354+1354	966+1354+1354
	Factory ref. charge (oz)	1040.6+1040.6	1040.6+1040.6+754.8
	Stuffing Quantity (40' Standard)	/	/
Connection Ratio	Maxium Number of Indoor Units	64	64
	Recommended IDU qty	58	57
	Connection Ratio (IDU/ODU Capacity)	50% — 130%	50% — 130%
Compressor	DC Inverter EVI Compressors*qty	ANB78FZPMT*4	ANB78FZPMT*5
Refrigerant piping	Maximum Total Line Length Ft / m	3280ft/1000m	
	Maximum Height Ft / m	295ft/90m	
	Liquid Pipe O.D. I in (mm)	5/8 (15.88)+5/8 (15.88)	1/2(12.7)+5/8 (15.88)+5/8 (15.88)
	Gas Pipe O.D. I in (mm)	1 1/8(28.58)+1 1/8(28.58)	1 1/8(28.58)+1 1/8(28.58)+1 1/8(28.58)
	High Gas Pipe O.D. I in (mm)	1 1/8(28.58)+1 1/8(28.58)	1 1/8(28.58)+1 1/8(28.58)+1 1/8(28.58)
	Piping kits	HZG-R20B	HZG-R30B
	ETL Per 60335	Yes	Yes
	AHRI	Yes	Yes
Other	Countries of Sale	USA & CAN	USA & CAN
	UPC		
	Warranty	10 year compressor 10 year parts 0 labor	10 year compressor 10 year parts 0 labor
	Languages	English, French, Spanish for IM	English, French, Spanish for IM
Features and Benefits	MRV-LINK	Yes	Yes
	Anti-Corrosion	1000 hrs per ASTM B117	1000 hrs per ASTM B117
	Rotary Control Box for Convenient Maintenance	Yes	Yes
	Automatic Oil Sharing for Easy Installation	Yes	Yes

460V VRF Outdoor Unit

Items		New Heat Pump & Heat Recovery		
	Marketing Model Name	MVHQ072ME4CA	MVHQ096ME4CA	MVHQ120ME4CA
Model Name	System	6T	8T	10T
	Combination	/	/	/
	Brand	Haier	Haier	Haier
	Norminal Capacity (Btu/h)	72000	96000	120000
	Factory Model Number	AV08GMVURAB	AV10GMVURAB	AV12GMVURAB
Electrical	Voltage, Cycle, Phase V/Hz/-	460/60/3	460/60/3	460/60/3
	Maximum Fuse Size A	20	25	30
	Minimum Circuit Amp A	16	20	22
Performance Non-Ducted	Rated Cooling Capacity@95°F(Btu/h)	69000	91000	115000
	EER @95 °F	12.60	11.90	11.60
	IEER	23.60	23.10	23.00
	Rated Heating Capacity@47°F(Btu/h)	77000	103000	129000
	COP @ 47°F	3.50	3.50	3.50
	Rated Heating Capacity@17°F(Btu/h)	53000	72000	84000
	COP @ 17°F	2.40	2.40	2.50
	SCHE	24.4	23	21.7
	(115°F) Cooling Capacity (Btu/h)	≥80% of rated	≥80% of rated	≥80% of rated
	Heating Capacity @5° (-15C)	≥80% of rated	≥80% of rated	≥80% of rated
	Heating Capacity @-4°F (-20C)	≥70% of rated	≥70% of rated	≥70% of rated
	Heating Capacity @-13°F (-25C)	≥60% of rated	≥60% of rated	≥60% of rated
	Heating Capacity @-22°F (-30C)	≥25% of rated	≥25% of rated	≥25% of rated
Performance Ducted	Rated Cooling Capacity@95°F (Btu/h)	69000	91000	115000
	EER @95 °F	12.00	12.20	11.20
	IEER	20.50	21.80	21.60
	Rated Heating Capacity @47°F(Btu/h)	77000	103000	129000
	COP @ 47°F	3.50	3.50	3.50
	Rated Heating Capacity@17°F(Btu/h)	53000	72000	84000
	COP @ 17°F	2.40	2.40	2.50
	SCHE	20	21.4	21.4
	(115°F) Cooling Capacity(Btu/h)	≥80% of rated	≥80% of rated	≥80% of rated
	Heating Capacity @5°F	≥80% of rated	≥80% of rated	≥80% of rated
	Heating Capacity @-4°F	≥70% of rated	≥70% of rated	≥70% of rated
	Heating Capacity @-13°F	≥60% of rated	≥60% of rated	≥60% of rated
	Heating Capacity @-22°F (-30C)	≥25% of rated	≥25% of rated	≥25% of rated

Items		New Heat Pump & Heat Recovery		
	Marketing Model Name	MVHQ072ME4CA	MVHQ096ME4CA	MVHQ120ME4CA
Operation Range	Working Temp.Cooling F° (°C) + Snow Hood	-4F-122F(-20~50)		
	Working Temp.Heating F° (°C)	-22F~60F(-30~15.5)		
ODU	Sound Pressure dB(A)	60	61	61
	Acoustic Power dB(A)	77	81	81
	Net Dimension: Height in (mm)	66-1/2 (1689)	66-1/2 (1689.1)	66-1/2 (1689.1)
	Net Dimension: Width in (mm)	38-5/8 (981)	55-1/2 (1410)	55-1/2 (1410)
	Net Dimension: Depth in (mm)	29-1/2 (749)	29-1/2 (749)	29-1/2 (749)
	Wood Crafted Dimension H*W*D in (mm)	75*44*35 (1910×1120×880)	75*61*35 (1910×1550×880)	75*61*35 (1910×1550×880)
	Net Weight kg	275	343	343
	Wood Crafted Gross Weight kg	354	438	438
	Net Weight lbs	606	756	756
	Wood Crafted Gross Weight lbs	780	966	966
Connection Ratio	Maxium Number of Indoor Units	15	18	21
	Recommended IDU qty	10	13	17
	Connection Ratio (IDU/ODU Capacity)	50% ~ 130%	50% ~ 130%	50% ~ 130%
Compressor	DC Inverter EVI Compressors*qty	ANB66FZYMT * 1	ANB78FZYMT * 1	ANB78FZYMT * 1
Refrigerant Piping	Maximum Total Line Length Ft / m	3280ft/1000m		
	Maximum Height Ft / m	295ft/90m		
	Liquid Pipe O.D. I in (mm)	3/8(9.52)	1/2(12.7)	1/2(12.7)
	Gas Pipe O.D. I in (mm)	7/8(22.22)	7/8(22.22)	1 1/8(28.58)
	High Gas Pipe O.D. I in (mm)	7/8(22.22)	7/8(22.22)	1 1/8(28.58)
	Piping kits			
	ETL Per 60335	Yes	Yes	Yes
	AHRI	Yes	Yes	Yes
Other	Countries of Sale	USA & CAN	USA & CAN	USA & CAN
	UPC	/	/	/
	Warranty	10 year compressor 10 year parts 0 labor	10 year compressor 10 year parts 0 labor	10 year compressor 10 year parts 0 labor
	Languages	English, French, Spanish for IM	English, French, Spanish for IM	English, French, Spanish for IM
Features and Benefits	Multilink	Yes	Yes	Yes
	Anti-Corrosion	1000 hrs per ASTM B117	1000 hrs per ASTM B117	1000 hrs per ASTM B117
	Rotary Control Box for Convenient Maintenance	Yes	Yes	Yes
	Automatic Oil Sharing for Easy Installation	Yes	Yes	Yes

Items		New Heat Pump & Heat Recovery		
	Marketing Model Name	MVHQ144ME4CA	MVHQ168ME4CA	MVHQ192ME4CA
Model Name	System	12T	14T	16T
	Combination	/	/	/
	Brand	Haier	Haier	Haier
	Norminal Capacity (Btu/h)	144000	168,000	192,000
	Factory Model Number	AV14GMVURAB	AV16GMVURAB	AV18GMVURAB
Electrical	Voltage, Cycle, Phase V/Hz/-	460/60/3	460/60/3	460/60/3
	Maximum Fuse Size A	40	60	60
	Minimum Circuit Amp A	30	40	42
Performance Non-Ducted	Rated Cooling Capacity@95°F(Btu/h)	138000	160,000	184,000
	EER @95 °F	11.1	11.7	12.2
	IEER	22	22.9	21.7
	Rated Heating Capacity@47°F(Btu/h)	154000	180,000	206,000
	COP @ 47°F	3.5	3.5	3.56
	Rated Heating Capacity@17°F(Btu/h)	108000	122,000	138,000
	COP @ 17°F	2.3	2.4	2.41
	SCHE	26.7	27.1	27.2
	(115°F) Cooling Capacity (Btu/h)	≥80% of rated	≥80% of rated	≥80% of rated
	Heating Capacity @5° (-15C)	≥80% of rated	≥80% of rated	≥80% of rated
	Heating Capacity @-4°F (-20C)	≥70% of rated	≥70% of rated	≥70% of rated
	Heating Capacity @-13°F (-25C)	≥60% of rated	≥60% of rated	≥60% of rated
	Heating capacity @-22°F (-30C)	≥25% of rated	≥25% of rated	≥25% of rated
Performance Ducted	Rated Cooling Capacity@95°F (Btu/h)	138000	160,000	184,000
	EER @95 °F	10.7	11.5	11.3
	IEER	20.8	22.1	21
	Rated Heating Capacity @47°F(Btu/h)	154000	180,000	206,000
	COP @ 47°F	3.43	3.39	3.34
	Rated Heating Capacity@17°F(Btu/h)	108000	122,000	138,000
	COP @ 17°F	2.25	2.4	2.4
	SCHE	24.5	24.9	24.9
	(115°F) Cooling Capacity(Btu/h)	≥80% of rated	≥80% of rated	≥80% of rated
	Heating Capacity @5°F	≥80% of rated	≥80% of rated	≥80% of rated
	Heating Capacity @-4°F	≥70% of rated	≥70% of rated	≥70% of rated
	Heating Capacity @-13°F	≥60% of rated	≥60% of rated	≥60% of rated
	Heating Capacity @-22°F (-30C)	≥25% of rated	≥25% of rated	≥25% of rated

Items		New Heat Pump & Heat Recovery		
	Marketing Model Name	MVHQ144ME4CA	MVHQ168ME4CA	MVHQ192ME4CA
Model Name	System	12T	14T	16T
	Combination	/	/	/
	Brand	Haier	Haier	Haier
	Norminal Capacity (Btu/h)	144000	168,000	192,000
	Factory Model Number	AV14GMVURAB	AV16GMVURAB	AV18GMVURAB
Electrical	Voltage, Cycle, Phase V/Hz/-	460/60/3	460/60/3	460/60/3
	Maximum Fuse Size A	40	60	60
	Minimum Circuit Amp A	30	40	42
Performance Non-Ducted	Rated Cooling Capacity@95°F(Btu/h)	138000	160,000	184,000
	EER @95 °F	11.1	11.7	12.2
	IEER	22	22.9	21.7
	Rated Heating Capacity@47°F(Btu/h)	154000	180,000	206,000
	COP @ 47°F	3.5	3.5	3.56
	Rated Heating Capacity@17°F(Btu/h)	108000	122,000	138,000
	COP @ 17°F	2.3	2.4	2.41
	SCHE	26.7	27.1	27.2
	(115°F) Cooling Capacity (Btu/h)	≥80% of rated	≥80% of rated	≥80% of rated
	Heating Capacity @5° (-15C)	≥80% of rated	≥80% of rated	≥80% of rated
	Heating Capacity @-4°F (-20C)	≥70% of rated	≥70% of rated	≥70% of rated
	Heating Capacity @-13°F (-25C)	≥60% of rated	≥60% of rated	≥60% of rated
	Heating capacity @-22°F (-30C)	≥25% of rated	≥25% of rated	≥25% of rated
Performance Ducted	Rated Cooling Capacity@95°F (Btu/h)	138000	160,000	184,000
	EER @95 °F	10.7	11.5	11.3
	IEER	20.8	22.1	21
	Rated Heating Capacity @47°F(Btu/h)	154000	180,000	206,000
	COP @ 47°F	3.43	3.39	3.34
	Rated Heating Capacity@17°F(Btu/h)	108000	122,000	138,000
	COP @ 17°F	2.25	2.4	2.4
	SCHE	24.5	24.9	24.9
	(115°F) Cooling Capacity(Btu/h)	≥80% of rated	≥80% of rated	≥80% of rated
	Heating Capacity @5°F	≥80% of rated	≥80% of rated	≥80% of rated
	Heating Capacity @-4°F	≥70% of rated	≥70% of rated	≥70% of rated
	Heating Capacity @-13°F	≥60% of rated	≥60% of rated	≥60% of rated
	Heating Capacity @-22°F (-30C)	≥25% of rated	≥25% of rated	≥25% of rated

Items		New Heat Pump & Heat Recovery		
	Marketing Model Name	MVHQ216ME4CA	MVHQ240ME4CA	MVHQ264ME4CA
Model Name	System	18T	20T	22T
	Combination	/	/	10T+12T
	Brand	Haier	Haier	Haier
	Norminal Capacity (Btu/h)	216,000	240,000	264000
	Factory Model Number	AV20GMVURAB	AV22GMVURAB	/
Electrical	Voltage, Cycle, Phase V/Hz/-	460/60/3	460/60/3	460V/60/3
	Maximum Fuse Size A	70	80	30+40
	Minimum Circuit Amp A	47	51	22+30
Performance Non-Ducted	Rated Cooling Capacity@95°F(Btu/h)	206000	222000	253000
	EER @95 °F	10.90	10.10	10.10
	IEER	22.00	20.30	18.80
	Rated Heating Capacity@47°F(Btu/h)	232000	240000	282000
	COP @ 47°F	3.50	3.40	3.30
	Rated Heating Capacity@17°F(Btu/h)	156000	168000	192000
	COP @ 17°F	2.40	2.40	2.30
	SCHE	25.6	24.6	25.2
	(115°F) Cooling Capacity (Btu/h)	≥80% of rated	≥80% of rated	≥80% of rated
	Heating Capacity @5° (-15C)	≥80% of rated	≥80% of rated	≥80% of rated
	Heating Capacity @-4°F (-20C)	≥70% of rated	≥70% of rated	≥70% of rated
	Heating Capacity @-13°F (-25C)	≥60% of rated	≥60% of rated	≥60% of rated
	Heating capacity @-22°F (-30C)	≥25% of rated	≥25% of rated	≥25% of rated
Performance Ducted	Rated Cooling Capacity@95°F (Btu/h)	206000	222000	253000
	EER @95 °F	11.30	10.60	9.80
	IEER	20.80	20.30	19.40
	Rated Heating Capacity @47°F(Btu/h)	232000	240000	282000
	COP @ 47°F	3.30	3.30	3.30
	Rated Heating Capacity@17°F(Btu/h)	156000	168000	192000
	COP @ 17°F	2.40	2.30	2.30
	SCHE	24.2	23.6	23.3
	(115°F) Cooling Capacity(Btu/h)	≥80% of rated	≥80% of rated	≥80% of rated
	Heating Capacity @5°F	≥80% of rated	≥80% of rated	≥80% of rated
	Heating Capacity @-4°F	≥70% of rated	≥70% of rated	≥70% of rated
	Heating Capacity @-13°F	≥60% of rated	≥60% of rated	≥60% of rated
	Heating Capacity @-22°F (-30C)	≥25% of rated	≥25% of rated	≥25% of rated

Items		New Heat Pump & Heat Recovery		
	Marketing Model Name	MVHQ216ME4CA	MVHQ240ME4CA	MVHQ264ME4CA
Operation Range	Working Temp.Cooling F° (°C) + Snow Hood	-4F-122F(-20~50)		
	Working Temp.Heating F° (°C)	-22F~60F(-30~15.5)		
ODU	Sound Pressure dB(A)	72	72	65
	Acoustic Power dB(A)	86	86	86
	Net Dimension: Height in (mm)	73-1/4 (1858)	73-1/4 (1858)	66-1/2
	Net Dimension: Width in (mm)	70-1/4 (1785)	70-1/4 (1785)	55-1/2+55-1/2
	Net Dimension: Depth in (mm)	32-1/4 (830)	32-1/4 (830)	29-1/2
	Wood Crafted Dimension H*W*D in (mm)	80*75*38 (2032x1905*965)	80*75*38 (2032x1905*965)	75*61*35+75*61*35
	Net Weight kg	478	478	343+406
	Wood Crafted Gross Weight kg	591	591	438+501
	Net Weight lbs	1162	1162	765+895
	Wood Crafted Gross Weight lbs	1354	1354	802+928
Connection Ratio	Maxium Number of Indoor Units	39	39	45
	Recommended IDU qty	29	29	35
	Connection Ratio (IDU/ODU Capacity)	50% — 130%	50% — 130%	50% — 130%
Compressor	DC inverter EVI compressors*qty	ANB78FZYMT*2	ANB78FZYMT*2	ANB78FZYMT * 1 ANB66FZYMT * 2
Refrigerant Piping	Maximum Total Line Length Ft / m	3280ft/1000m		
	Maximum Height Ft / m	295ft/90m		
	Liquid Pipe O.D. I in (mm)	1/2(12.7)	5/8(15.88)	5/8(15.88)
	Gas Pipe O.D. I in (mm)	1 1/8(28.58)	1-1/4(28.58)	1-1/4(28.58)
	High Gas Pipe O.D. I in (mm)	1 1/8(28.58)	1 1/8(28.58)	1 1/8(28.58)
	Piping kits			
	ETL Per 60335	Yes	Yes	Yes
	AHRI	Yes	Yes	Yes
Other	Countries of Sale	USA & CAN	USA & CAN	USA & CAN
	UPC	/	/	/
	Warranty	10 year compressor 10 year parts 0 labor	10 year compressor 10 year parts 0 labor	10 year compressor 10 year parts 0 labor
	Languages	English, French, Spanish for IM	English, French, Spanish for IM	English, French, Spanish for IM
Features and Benefits	Multilink	Yes	Yes	Yes
	Anti-Corrosion	1000 hrs per ASTM B117	1000 hrs per ASTM B117	1000 hrs per ASTM B117
	Rotary Control Box for Convenient Maintenance	Yes	Yes	Yes
	Automatic Oil Sharing for Easy Installation	Yes	Yes	Yes

Items		New Heat Pump & Heat Recovery		
	Marketing Model Name	MVHQ288ME4CA	MVHQ312ME4CA	MVHQ336ME4CA
Model Name	System	24T	26T	28T
	Combination	12T+12T	12T+14T	14T+14T
	Brand	Haier	Haier	Haier
	Norminal Capacity (Btu/h)	288000	312000	336000
	Factory Model Number	/	/	/
Electrical	Voltage, Cycle, Phase V/Hz/-	460V/60/3	460V/60/3	460V/60/3
	Maximum Fuse Size A	40+40	40+60	60+60
	Minimum Circuit Amp A	30+30	30+40	40+40
Performance Non-Ducted	Rated Cooling Capacity@95°F(Btu/h)	276000	299000	322000
	EER @95 °F	9.80	9.90	9.70
	IEER	18.40	18.50	18.10
	Rated Heating Capacity@47°F(Btu/h)	308000	334000	360000
	COP @ 47°F	3.20	3.20	3.10
	Rated Heating Capacity@17°F(Btu/h)	216000	228000	240000
	COP @ 17°F	2.20	2.30	2.20
	SCHE	24.8	24	22.3
	(115°F) Cooling Capacity (Btu/h)	≥80% of rated	≥80% of rated	≥80% of rated
	Heating Capacity @5° (-15C)	≥80% of rated	≥80% of rated	≥80% of rated
	Heating Capacity @-4°F (-20C)	≥70% of rated	≥70% of rated	≥70% of rated
	Heating Capacity @-13°F (-25C)	≥60% of rated	≥60% of rated	≥60% of rated
	Heating capacity @-22°F (-30C)	≥25% of rated	≥25% of rated	≥25% of rated
Performance Ducted	Rated Cooling Capacity@95°F (Btu/h)	276000	299000	322000
	EER @95 °F	9.70	9.70	9.60
	IEER	18.50	18.20	18.00
	Rated Heating Capacity @47°F(Btu/h)	308000	334000	360000
	COP @ 47°F	3.20	3.20	3.10
	Rated Heating Capacity@17°F(Btu/h)	216000	228000	240000
	COP @ 17°F	2.30	2.30	2.20
	SCHE	23.3	22.9	22.4
	(115°F) Cooling Capacity(Btu/h)	≥80% of rated	≥80% of rated	≥80% of rated
	Heating Capacity @5°F	≥80% of rated	≥80% of rated	≥80% of rated
	Heating Capacity @-4°F	≥70% of rated	≥70% of rated	≥70% of rated
	Heating Capacity @-13°F	≥60% of rated	≥60% of rated	≥60% of rated
	Heating Capacity @-22°F (-30C)	≥25% of rated	≥25% of rated	≥25% of rated

Items		New Heat Pump & Heat Recovery		
	Marketing Model Name	MVHQ288ME4CA	MVHQ312ME4CA	MVHQ336ME4CA
Operation Range	Working Temp.Cooling F° (°C) + Snow Hood	-4F-122F(-20~50)		
	Working Temp.Heating F° (°C)	-22F~60F(-30~15.5)		
ODU	Sound Pressure dB(A)	65	67	72
	Acoustic Power dB(A)	86	87	88
	Net Dimension: Height in (mm)	66-1/2	73-1/4	73-1/4
	Net Dimension: Width in (mm)	55-1/2+55-1/2	55-1/2+70-1/4	70-1/4 +70-1/4
	Net Dimension: Depth in (mm)	29-1/2	32-1/4	32-1/4
	Wood Crafted Dimension H*W*D in (mm)	75*61*35+75*61*35	75*61*35+80*75*38	80*75*38+80*75*38
	Net Weight kg	406+406	406+478	406+478
	Wood Crafted Gross Weight kg	501+501	501+530	501+530
	Net Weight lbs	891+895	895+1162	895+1162
	Wood Crafted Gross Weight lbs	928+928	928+1354	928+1354
Connection Ratio	Maxium Number of Indoor Units	48	57	60
	Recommended IDU qty	38	42	45
	Connection Ratio (IDU/ODU Capacity)	50% — 130%	50% — 130%	50% — 130%
Compressor	DC inverter EVI compressors*qty	ANB66FZYMT * 4	ANB66FZYMT * 2 ANB78FZYMT * 2	ANB66FZYMT * 2 ANB78FZYMT * 2
Refrigerant Piping	Maximum Total Line Length Ft / m	3280ft/1000m		
	Maximum Height Ft / m	295ft/90m		
	Liquid Pipe O.D. I in (mm)	1/2(12.7)+1/2(12.7)	1/2(12.7)+5/8 (15.88)	1/2(12.7)+5/8 (15.88)
	Gas Pipe O.D. I in (mm)	1 1/8(28.58)+1 1/8(28.58)	1 1/8(28.58)+1 1/8(28.58)	1 1/8(28.58)+1 1/8(28.58)
	High Gas Pipe O.D. I in (mm)	1 1/8(28.58)+1 1/8(28.58)	1 1/8(28.58)+1 1/8(28.58)	1 1/8(28.58)+1 1/8(28.58)
	Piping kits	HZG-R20B	HZG-R20B	HZG-R20B
	ETL Per 60335	Yes	Yes	Yes
	AHRI	Yes	Yes	Yes
Other	Countries of Sale	USA & CAN	USA & CAN	USA & CAN
	UPC			
	Warranty	10 year compressor 10 year parts 0 labor	10 year compressor 10 year parts 0 labor	10 year compressor 10 year parts 0 labor
	Languages	English, French, Spanish for IM	English, French, Spanish for IM	English, French, Spanish for IM
Features and Benefits	Multilink	Yes	Yes	Yes
	Anti-Corrosion	1000 hrs per ASTM B117	1000 hrs per ASTM B117	1000 hrs per ASTM B117
	Rotary Control Box for Convenient Maintenance	Yes	Yes	Yes
	Automatic Oil Sharing for Easy Installation	Yes	Yes	Yes

Items		New Heat Pump & Heat Recovery		
	Marketing Model Name	MVHQ360ME4CA	MVHQ384ME4CA	MVHQ408ME4CA
Model Name	System	30T	32T	34T
	Combination	14T+16T	16T+16T	16T+18T
	Brand	Haier	Haier	Haier
	Norminal Capacity (Btu/h)	360000	384000	408000
	Factory Model Number	/	/	/
Electrical	Voltage, Cycle, Phase V/Hz/-	460V/60/3	460V/60/3	460V/60/3
	Maximum Fuse Size A	60+60	60+60	60+70
	Minimum Circuit Amp A	40+42	42+42	42+47
Performance Non-Ducted	Rated Cooling Capacity@95°F(Btu/h)	345000	364000	380000
	EER @95 °F	9.90	9.70	9.20
	IEER	18.50	18.40	18.10
	Rated Heating Capacity@47°F(Btu/h)	372000	384000	410000
	COP @ 47°F	3.20	3.20	3.20
	Rated Heating Capacity@17°F(Btu/h)	252000	268000	284000
	COP @ 17°F	2.20	2.20	2.20
	SCHE	22.2	20.5	19.1
	(115°F) Cooling Capacity (Btu/h)	≥80% of rated	≥80% of rated	≥80% of rated
	Heating Capacity @5° (-15C)	≥80% of rated	≥80% of rated	≥80% of rated
	Heating Capacity @-4°F (-20C)	≥70% of rated	≥70% of rated	≥70% of rated
	Heating Capacity @-13°F (-25C)	≥60% of rated	≥60% of rated	≥60% of rated
	Heating capacity @-22°F (-30C)	≥25% of rated	≥25% of rated	≥25% of rated
Performance Ducted	Rated Cooling Capacity@95°F (Btu/h)	345000	364000	380000
	EER @95 °F	9.70	9.40	9.30
	IEER	18.20	18.50	18.50
	Rated Heating Capacity @47°F(Btu/h)	372000	384000	410000
	COP @ 47°F	3.20	3.30	3.20
	Rated Heating Capacity@17°F(Btu/h)	252000	268000	284000
	COP @ 17°F	2.30	2.30	2.20
	SCHE	22.1	20.8	19.2
	(115°F) Cooling Capacity(Btu/h)	≥80% of rated	≥80% of rated	≥80% of rated
	Heating Capacity @5°F	≥80% of rated	≥80% of rated	≥80% of rated
	Heating Capacity @-4°F	≥70% of rated	≥70% of rated	≥70% of rated
	Heating Capacity @-13°F	≥60% of rated	≥60% of rated	≥60% of rated
	Heating Capacity @-22°F (-30C)	≥25% of rated	≥25% of rated	≥25% of rated

Items		New Heat Pump & Heat Recovery		
	Marketing Model Name	MVHQ360ME4CA	MVHQ384ME4CA	MVHQ408ME4CA
Operation Range	Working Temp.Cooling F° (°C) + Snow Hood	-4F-122F(-20~50)		
	Working Temp.Heating F° (°C)	-22F~60F(-30~15.5)		
ODU	Sound Pressure dB(A)	72	73	73
	Acoustic Power dB(A)	88	89	89
	Net Dimension: Height in (mm)	73-1/4	73-1/4	73-1/4
	Net Dimension: Width in (mm)	70-1/4 +70-1/4	70-1/4 +70-1/4	70-1/4 +70-1/4
	Net Dimension: Depth in (mm)	32-1/4	32-1/4	32-1/4
	Wood Crafted Dimension H*W*D in (mm)	80*75*38+80*75*38	80*75*38+80*75*38	80*75*38+80*75*38
	Net Weight kg	478+478	478+478	478+478
	Wood Crafted Gross Weight kg	530+530	530+530	530+530
	Net Weight lbs	1162+1162	1162+1162	1162+1162
	Wood Crafted Gross Weight lbs	1354+1354	1354+1354	1354+1354
Connection Ratio	Maxium Number of Indoor Units	64	64	64
	Recommended IDU qty	49	52	55
	Connection Ratio (IDU/ODU Capacity)	50% — 130%	50% — 130%	50% — 130%
Compressor	DC inverter EVI compressors*qty	ANB78FZYMT*4	ANB78FZYMT*4	ANB78FZYMT*4
Refrigerant Piping	Maximum Total Line Length Ft / m	3280ft/1000m		
	Maximum Height Ft / m	295ft/90m		
	Liquid Pipe O.D. I in (mm)	5/8 (15.88)+5/8 (15.88)	5/8 (15.88)+5/8 (15.88)	5/8 (15.88)+5/8 (15.88)
	Gas Pipe O.D. I in (mm)	1 1/8(28.58)+1 1/8(28.58)	1 1/8(28.58)+1 1/8(28.58)	1 1/8(28.58)+1 1/8(28.58)
	High Gas Pipe O.D. I in (mm)	1 1/8(28.58)+1 1/8(28.58)	1 1/8(28.58)+1 1/8(28.58)	1 1/8(28.58)+1 1/8(28.58)
	Piping kits	HZG-R20B	HZG-R20B	HZG-R20B
	ETL Per 60335	Yes	Yes	Yes
	AHRI	Yes	Yes	Yes
Other	Countries of Sale	USA & CAN	USA & CAN	USA & CAN
	UPC			
	Warranty	10 year compressor 10 year parts 0 labor	10 year compressor 10 year parts 0 labor	10 year compressor 10 year parts 0 labor
	Languages	English, French, Spanish for IM	English, French, Spanish for IM	English, French, Spanish for IM
Features and Benefits	Multilink	Yes	Yes	Yes
	Anti-Corrosion	1000 hrs per ASTM B117	1000 hrs per ASTM B117	1000 hrs per ASTM B117
	Rotary Control Box for Convenient Maintenance	Yes	Yes	Yes
	Automatic Oil Sharing for Easy Installation	Yes	Yes	Yes

Items		New Heat Pump & Heat Recovery	
	Marketing Model Name	MVHQ432ME4CA	MVHQ456ME4CA
Model Name	System	36T	38T
	Combination	18T+18T	10T+14T+14T
	Brand	Haier	Haier
	Norminal Capacity (Btu/h)	432000	456000
	Factory Model Number	/	/
Electrical	Voltage, Cycle, Phase V/Hz/-	460V/60/3	460V/60/3
	Maximum Fuse Size A	70+70	30+60+60
	Minimum Circuit Amp A	47+47	22+40+40
Performance Non-Ducted	Rated Cooling Capacity@95°F(Btu/h)	400000	437000
	EER @95 °F	8.90	8.90
	IEER	17.50	16.8
	Rated Heating Capacity@47°F(Btu/h)	420000	488000
	COP @ 47°F	3.20	3.20
	Rated Heating Capacity@17°F(Btu/h)	300000	342000
	COP @ 17°F	2.10	2.10
	SCHE	17.9	19.2
	(115°F) Cooling Capacity (Btu/h)	≥80% of rated	≥80% of rated
	Heating Capacity @5° (-15C)	≥80% of rated	≥80% of rated
	Heating Capacity @-4°F (-20C)	≥70% of rated	≥70% of rated
	Heating Capacity @-13°F (-25C)	≥60% of rated	≥60% of rated
	Heating capacity @-22°F (-30C)	≥25% of rated	≥25% of rated
Performance Ducted	Rated Cooling Capacity@95°F (Btu/h)	400000	437000
	EER @95 °F	9.00	9.00
	IEER	18.10	17.5
	Rated Heating Capacity @47°F(Btu/h)	420000	488000
	COP @ 47°F	3.20	3.20
	Rated Heating Capacity@17°F(Btu/h)	300000	342000
	COP @ 17°F	2.20	2.20
	SCHE	17.6	18.6
	(115°F) Cooling Capacity(Btu/h)	≥80% of rated	≥80% of rated
	Heating Capacity @5°F	≥80% of rated	≥80% of rated
	Heating Capacity @-4°F	≥70% of rated	≥70% of rated
	Heating Capacity @-13°F	≥60% of rated	≥60% of rated
	Heating Capacity @-22°F (-30C)	≥25% of rated	≥25% of rated

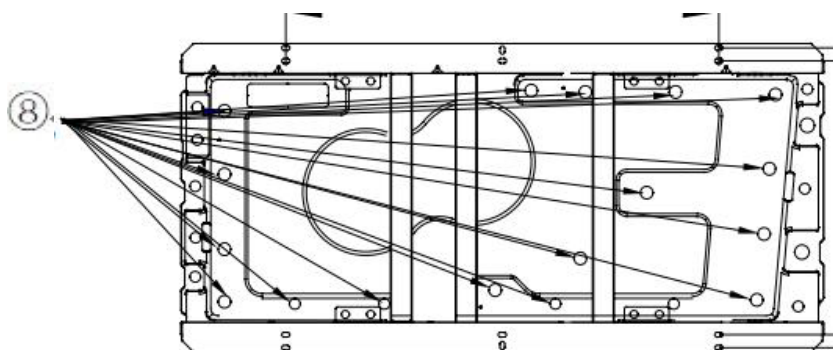
Items		New Heat Pump & Heat Recovery	
	Marketing Model Name	MVHQ432ME4CA	MVHQ456ME4CA
Operation Range	Working Temp.Cooling F° (°C) + Snow Hood	-4F-122F(-20~50)	
	Working Temp.Heating F° (°C)	-22F~60F(-30~15.5)	
ODU	Sound Pressure dB(A)	74	74
	Acoustic Power dB(A)	90	90
	Net Dimension: Height in (mm)	73-1/4	66-1/2+73-1/4 +73-1/4
	Net Dimension: Width in (mm)	70-1/4 +70-1/4	55-1/2+70-1/4 +70-1/4
	Net Dimension: Depth in (mm)	32-1/4	29-1/2+32-1/4+32-1/4
	Wood Crafted Dimension H*W*D in (mm)	80*75*38+80*75*38	75*61*35+80*75*38+80*75*38
	Net Weight kg	478+478	343+478+478
	Wood Crafted Gross Weight kg	530+530	438+530+530
	Net Weight lbs	1162+1162	756+1162+1162
	Wood Crafted Gross Weight lbs	1354+1354	966+1354+1354
Connection Ratio	Maxium Number of Indoor Units	64	64
	Recommended IDU qty	57	57
	Connection Ratio (IDU/ODU Capacity)	50% — 130%	50% — 130%
Compressor	DC inverter EVI compressors*qty	ANB78FZYMT*4	ANB78FZYMT*5
Refrigerant Piping	Maximum Total Line Length Ft / m	3280ft/1000m	
	Maximum Height Ft / m	295ft/90m	
	Liquid Pipe O.D. I in (mm)	5/8 (15.88)+5/8 (15.88)	1/2(12.7)+5/8 (15.88)+5/8 (15.88)
	Gas Pipe O.D. I in (mm)	1 1/8(28.58)+1 1/8(28.58)	1 1/8(28.58)+1 1/8(28.58)+1 1/8(28.58)
	High Gas Pipe O.D. I in (mm)	1 1/8(28.58)+1 1/8(28.58)	1 1/8(28.58)+1 1/8(28.58)+1 1/8(28.58)
	Piping kits	HZG-R20B	HZG-R30B
	ETL Per 60335	Yes	Yes
	AHRI	Yes	Yes
Other	Countries of Sale	USA & CAN	USA & CAN
	UPC		
	Warranty	10 year compressor 10 year parts 0 labor	10 year compressor 10 year parts 0 labor
	Languages	English, French, Spanish for IM	English, French, Spanish for IM
Features and Benefits	Multilink	Yes	Yes
	Anti-Corrosion	1000 hrs per ASTM B117	1000 hrs per ASTM B117
	Rotary Control Box for Convenient Maintenance	Yes	Yes
	Automatic Oil Sharing for Easy Installation	Yes	Yes

机型	序号	专用号	描述	阻值 (KΩ)
MVHQ072/096/120ME2CA MVHQ072/096/120ME4CA	1	0150402567	Tao sensor	R25=10KΩ
	2	0150402568	Toci1/Ts sensor	R25=10KΩ
	3	0150401913	Tdef/Tdef sensor	R25=10KΩ
	4	0150402566	Td1 sensor	R80=50KΩ
	5	0150402575	Toi11 sensor	R80=50KΩ
	6	0150402570	Tliqsc/Tsco sensor	R25=10KΩ
	7	0150402573	Tsci sensor	R25=10KΩ
	8	0150402571	Tdef2 sensor	R25=10KΩ
	9	0150402572	Toci2 sensor	R25=10KΩ
MVHQ144ME2CA MVHQ144ME4CA	1	0150402567	Tao sensor	R25=10KΩ
	2	0150402568	Toci1/Ts sensor	R25=10KΩ
	3	0150401913	Tdef/Tdef sensor	R25=10KΩ
	4	0150402566	Td1 sensor	R80=50KΩ
	5	0150402575	Toi11 sensor	R80=50KΩ
	6	0150402570	Tliqsc/Tsco sensor	R25=10KΩ
	7	0150402573	Tsci sensor	R25=10KΩ
	8	0150402571	Tdef2 sensor	R25=10KΩ
	9	0150402572	Toci2 sensor	R25=10KΩ
MVHQ168/192/216/240ME2CA MVHQ168/192/216/240ME4CA	1	0150402566	Td1 sensor	R80=50KΩ
	2	0150402567	Tao sensor	R25=10KΩ
	3	0150402568	Toci1/Ts sensor	R25=10KΩ
	4	0150401913	Tdef/Tdef sensor	R25=10KΩ
	5	0150402575	Toi11 sensor	R80=50KΩ
	6	0150401915	Td2 sensor	R80=50KΩ
	7	0150402570	Tliqsc/Tsco sensor	R25=10KΩ
	8	0150402573	Tsci sensor	R25=10KΩ
	9	0150402571	Tdef2 sensor	R25=10KΩ
	10	0150402576	Toi12 sensor	R80=50KΩ
	11	0150402572	Toci2 sensor	R25=10KΩ

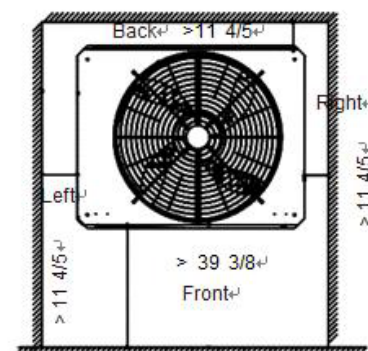
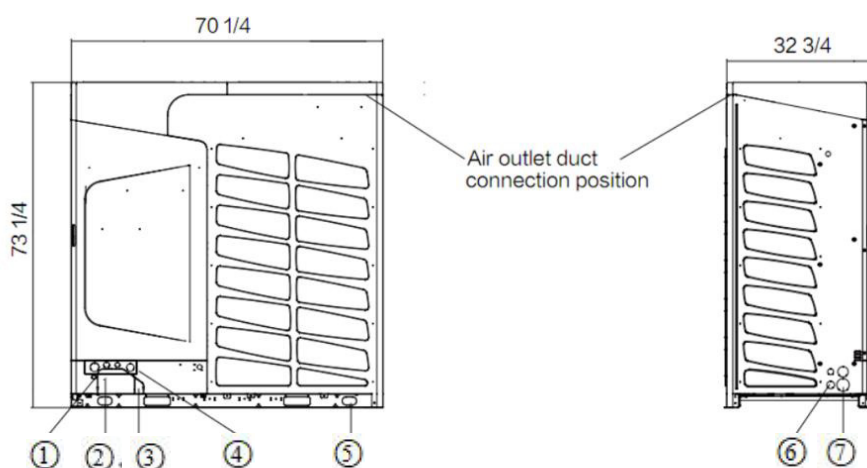
5. Dimensions

MVHQ168/192/216/240ME2CA; MVHQ168/192/216/240ME4CA;

Space between fixing holes 47 2/8



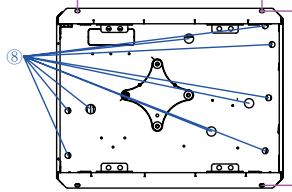
Space between fixing holes 32 5/8



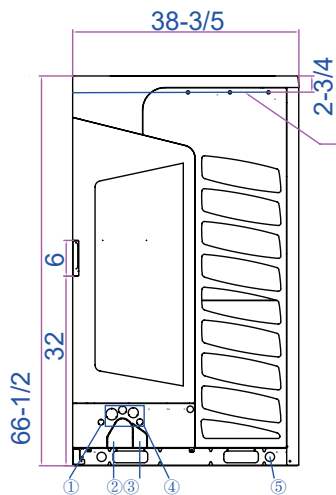
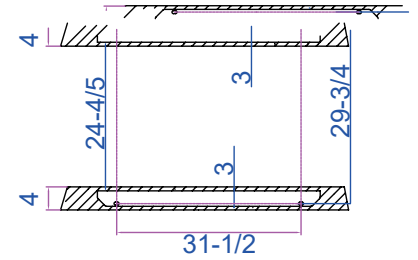
No.	Name Remark	
1	Signall ine hole(Ø25)	Usingt he rubber plug in the unit'sa ttachment forp rotection
2	Pipeo utletf or 2-pipe system	
3	Pipeo utletf or 3-pipe system	
4	Power supply hole	Accordingt o the wire diameter size to chooset he appropriate lineh ole, and usingt he line sheath in theu nit'sa ttachment forp rotection
5	Hoisting hole	
6	Power supply of signal line hole	
7	Refrigerant pipe outlet	
8	Drain hole	

MVHQ072ME2/4CA

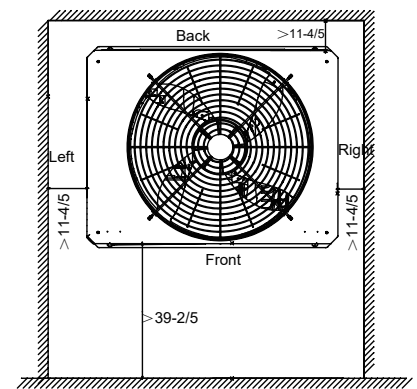
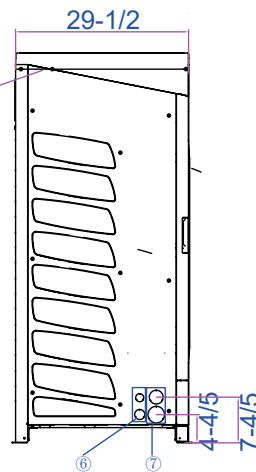
Unit: in.
Space between fixing openings 31-1/2



Space between fixing openings 29-7/10



Air outlet duct connection position

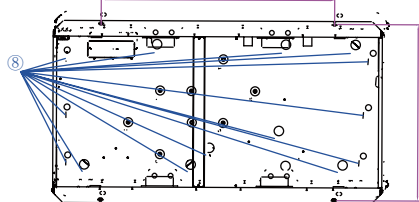


No.	Name	Remark
1	Signal line opening (Ø1)	Using the rubber plug in the unit's attachment for protection
2	Pipe outlet for 2-pipe system	
3	Pipe outlet for 3-pipe system	
4	Power supply opening	According to the wire diameter size to choose the appropriate line opening, and using the line sheath in the unit's attachment for protection.
5	Hoisting opening	
6	Power supply of signal line opening	
7	Refrigerant pipe outlet	
8	Drain opening	

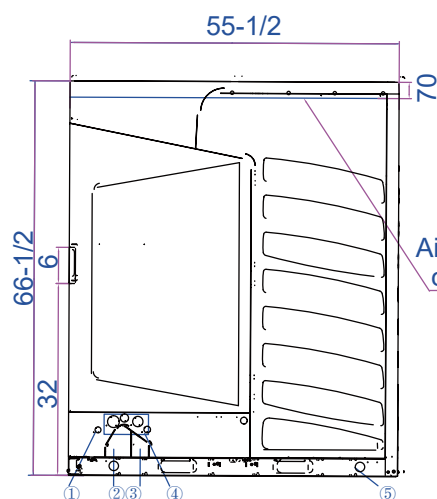
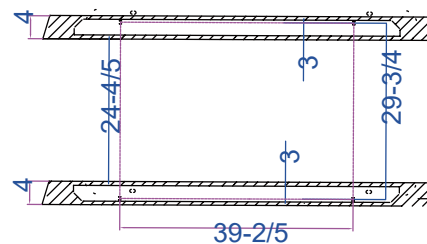
MVHQ096/120/144ME2CA
MVHQ096/120/144ME4CA

Unit: in.

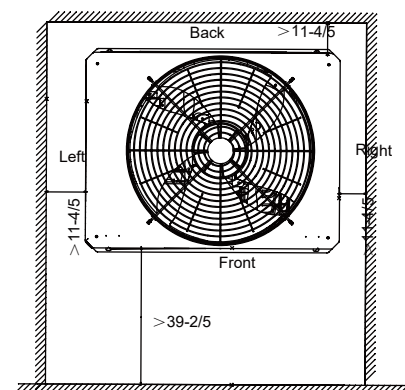
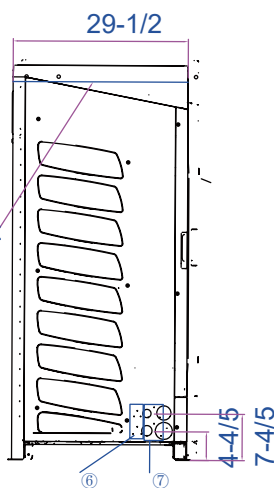
Space between fixing openings 39-2/5



Space between fixing openings 29-7/10



Air outlet duct connection position



No.	Name	Remark
1	Signal line opening (Ø1)	Using the rubber plug in the unit's attachment for protection
2	Pipe outlet for 2-pipe system	
3	Pipe outlet for 3-pipe system	
4	Power supply opening	According to the wire diameter size to choose the appropriate line opening, and using the line sheath in the unit's attachment for protection.
5	Hoisting opening	
6	Power supply of signal line opening	
7	Refrigerant pipe outlet	
8	Drain opening	

6. Center of Gravity

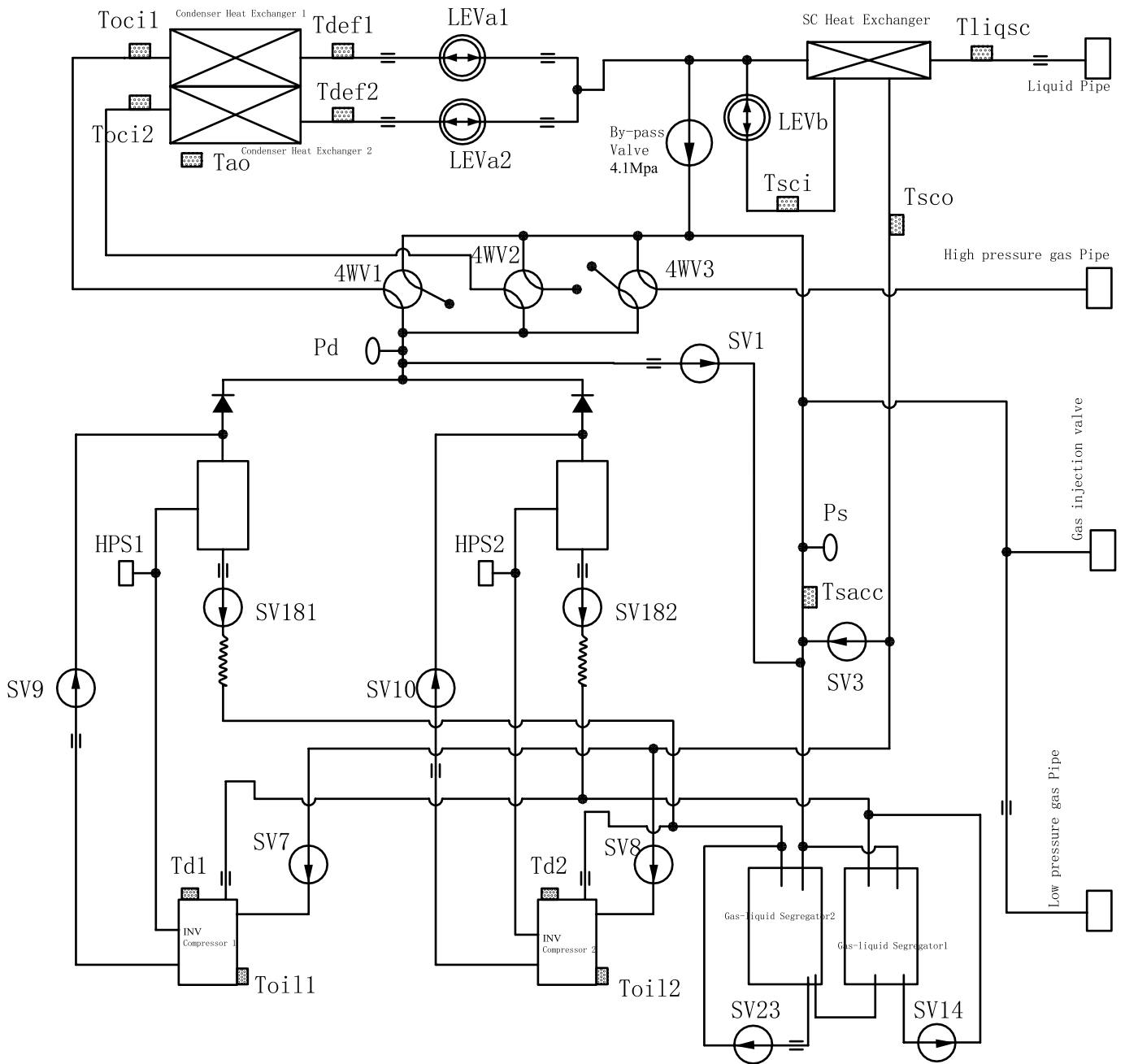
VHQ168/192/216/240ME2CA
MVHQ168/192/216/240ME4CA

Coordinate position X-34.06 Y-16.93 Z-27.95

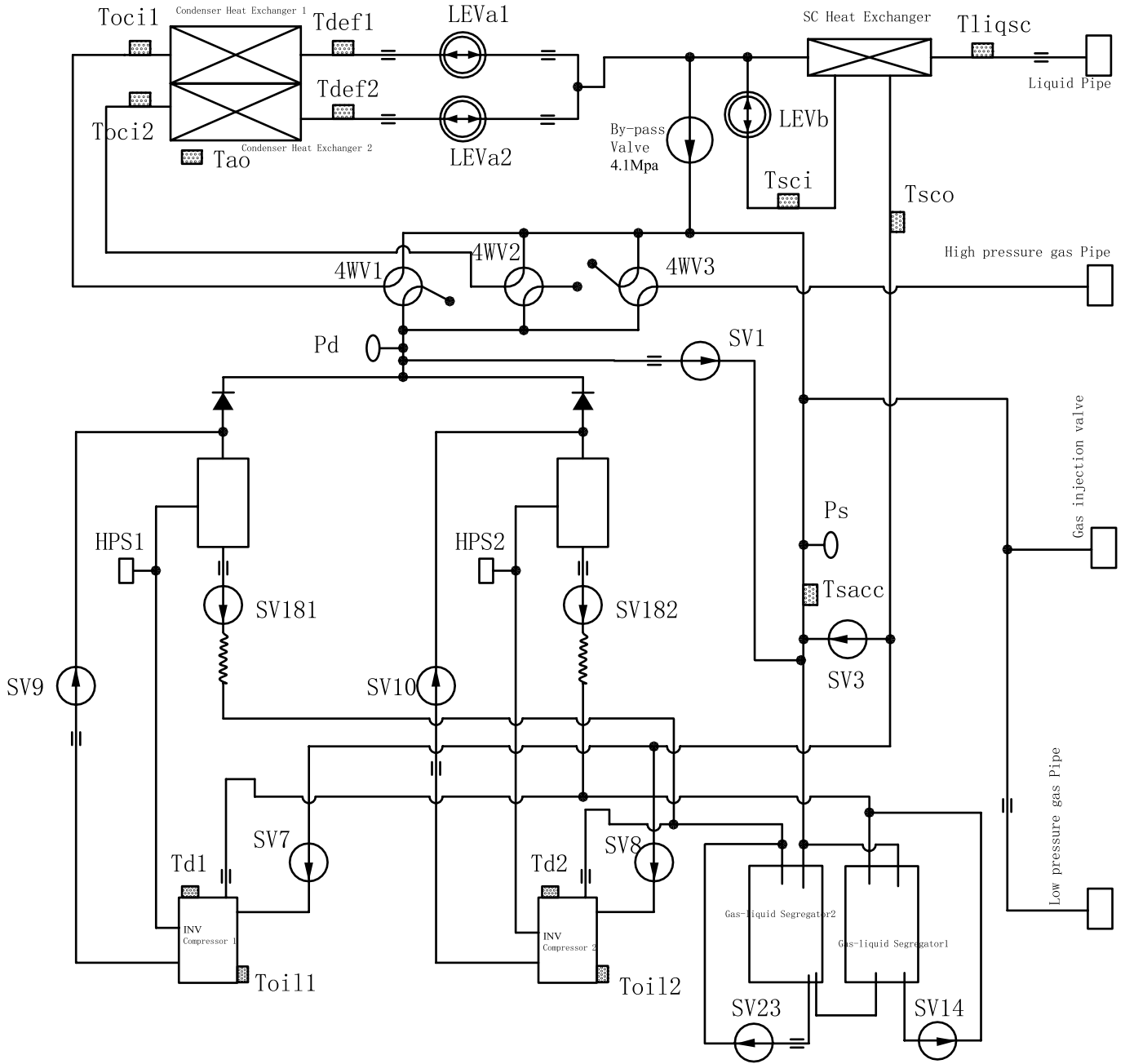


7. Piping Diagrams

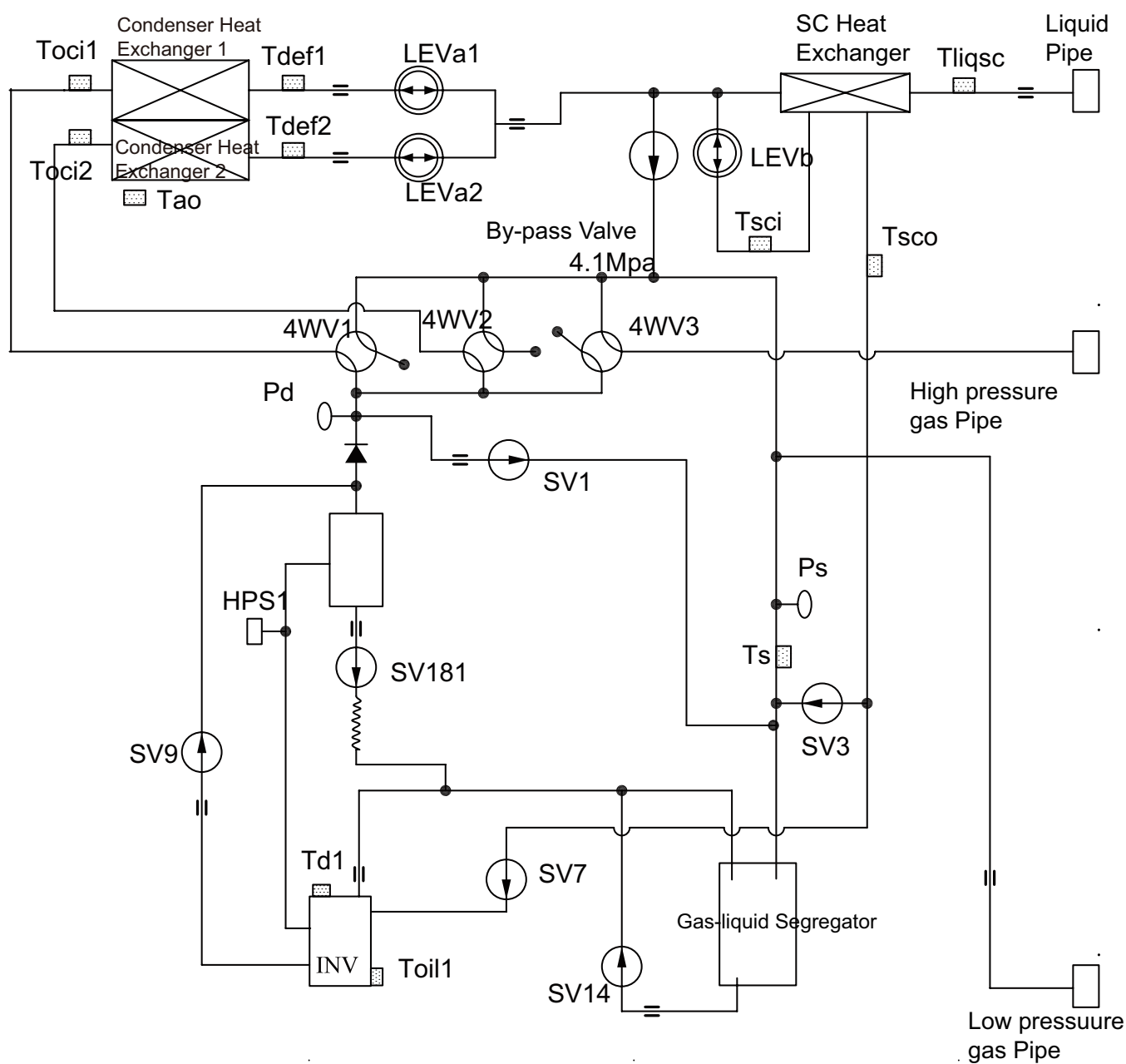
MVHQ168/192/210/240ME2CA-Cooling Operation
 MVHQ168/192/210/240ME4CA-Cooling Operation



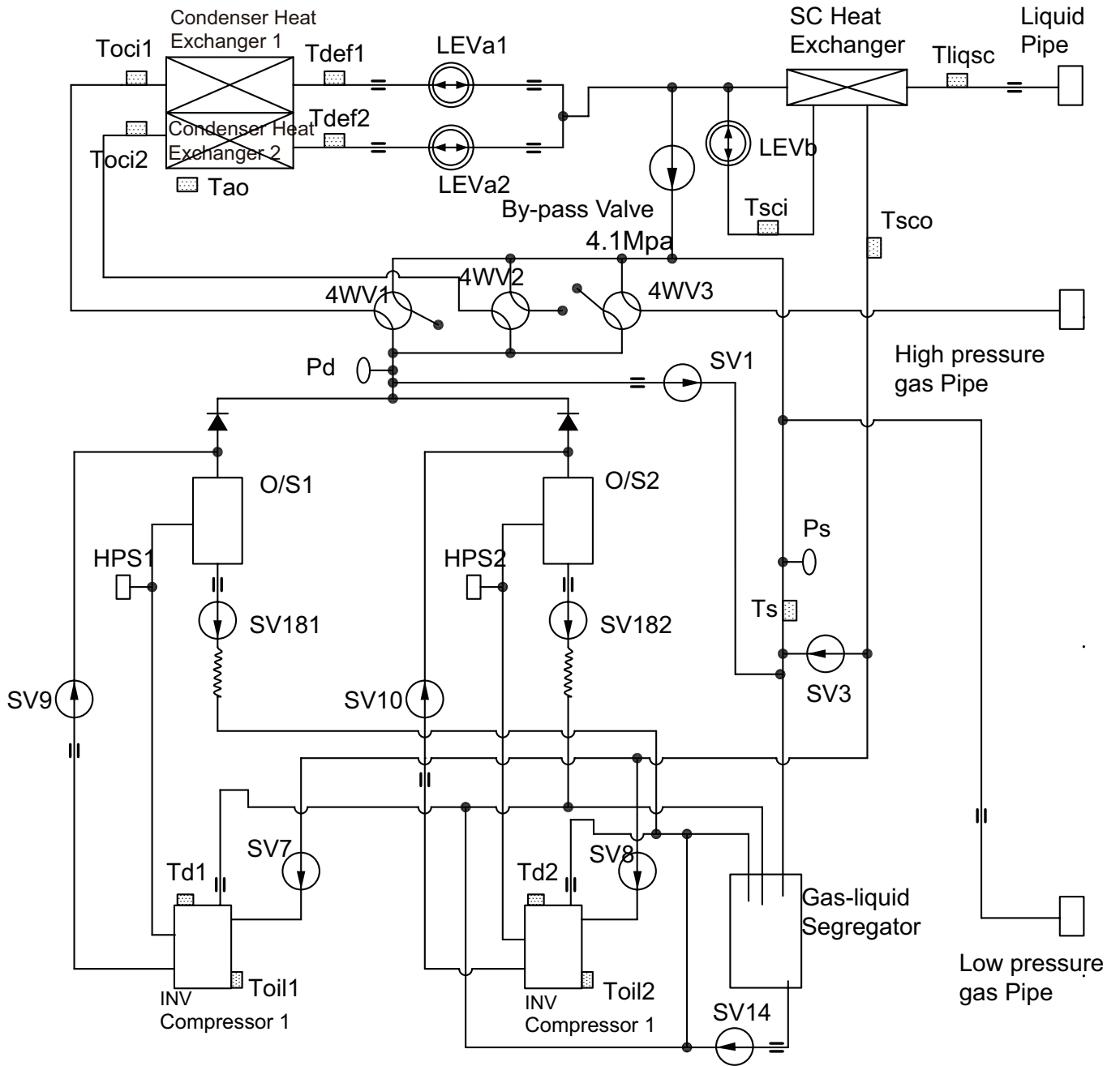
MVHQ168/192/210/240ME2CA-Heating Operation
 MVHQ168/192/210/240ME4CA-Heating Operation



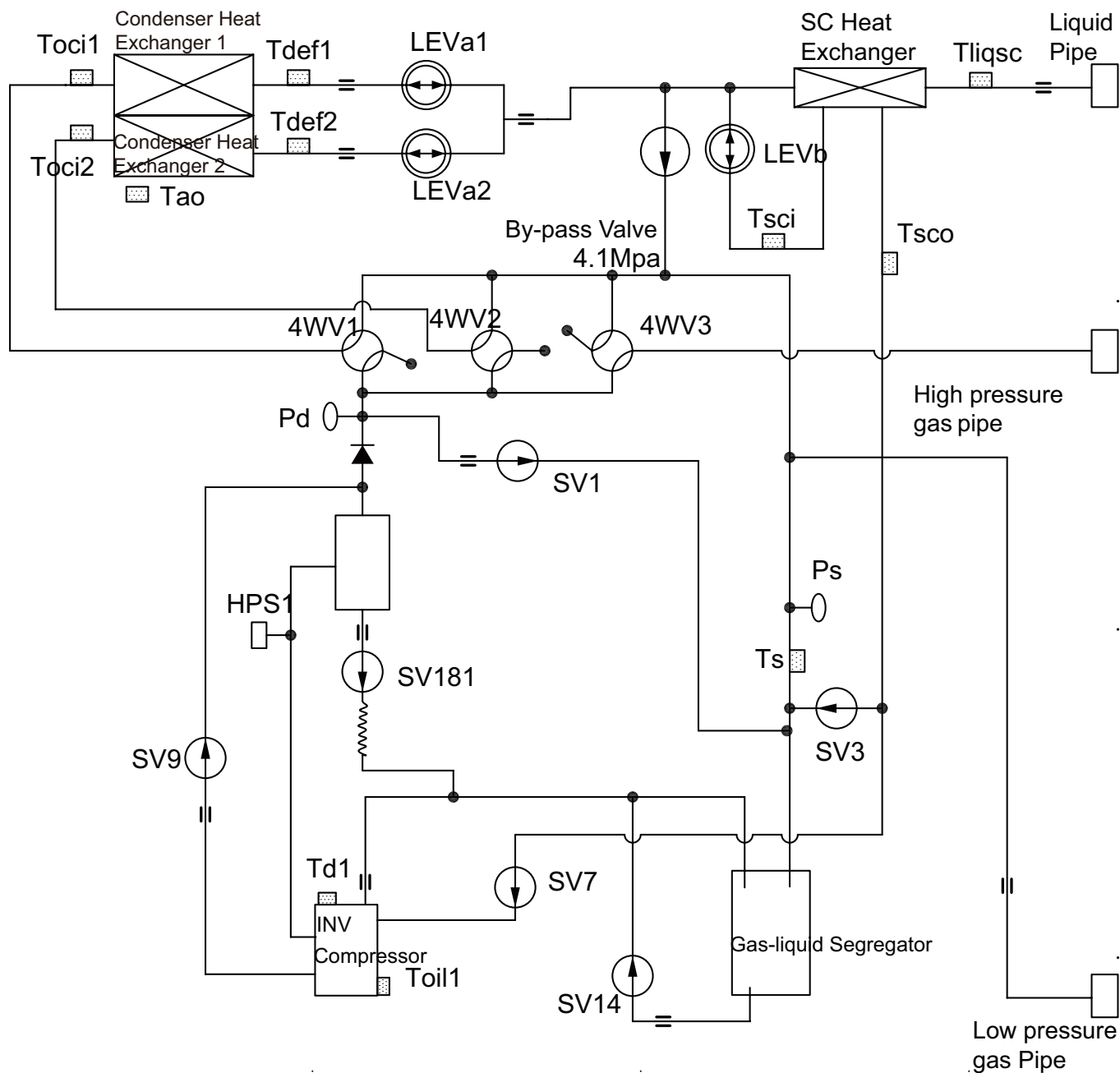
MVHQ072/096/120ME2CA-Cooling Operation
 MVHQ072/096/120ME4CA-Cooling Operation



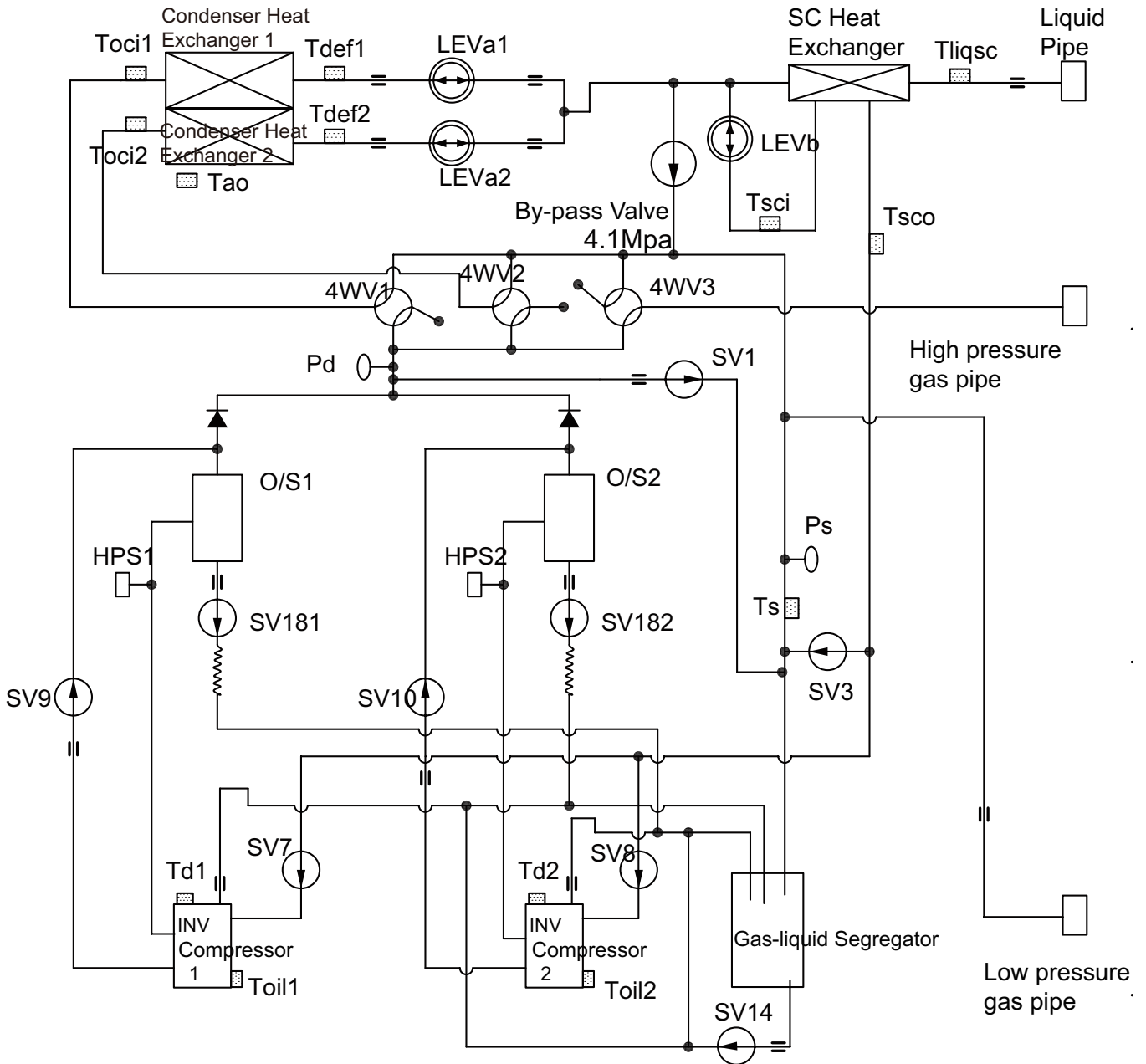
MVHQ144ME2CA-Cooling Operation
 MVHQ144ME4CA-Cooling Operation



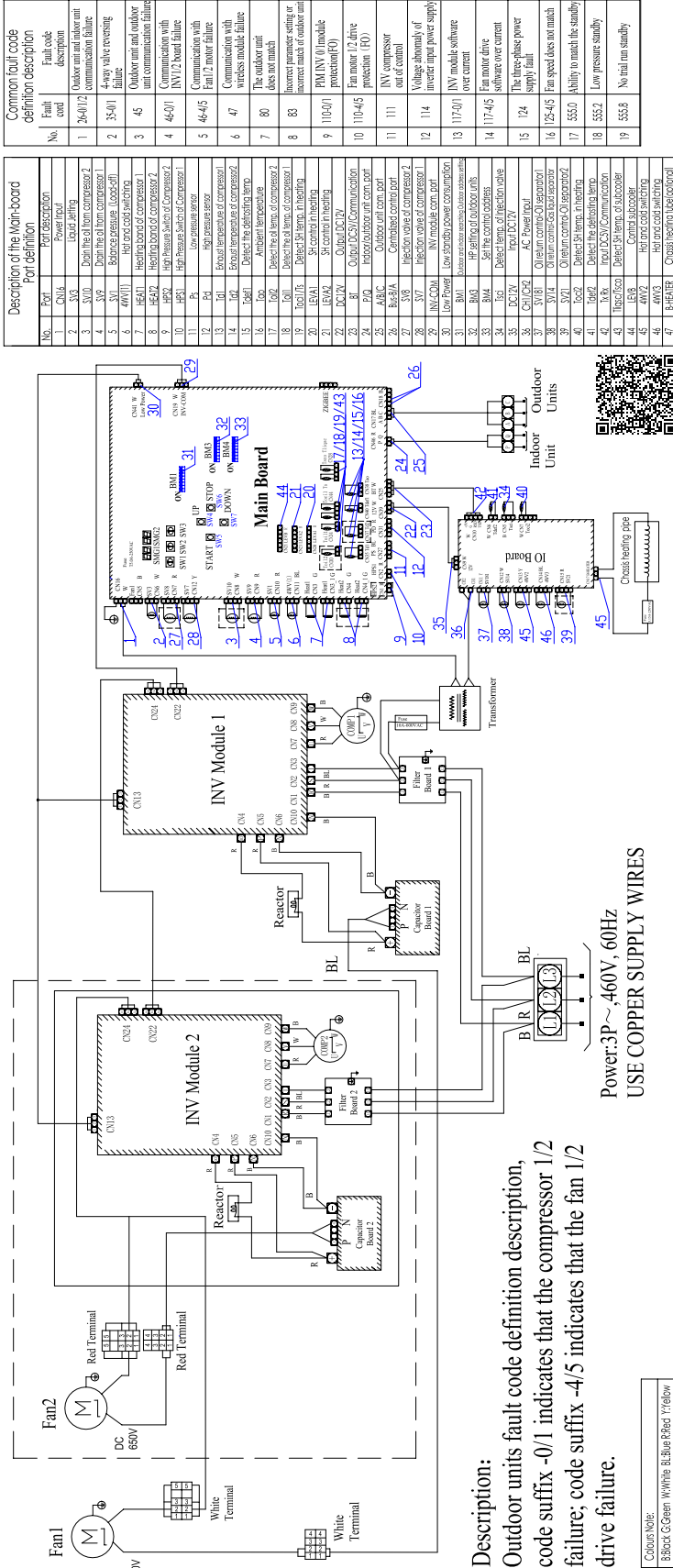
MVHQ072/096/120ME2CA-Heating Operation
 MVHQ072/096/120ME4CA-Heating Operation



MVHQ144ME2CA-Heating Operation
 MVHQ144ME4CA-Heating Operation



8. Wiring Diagrams

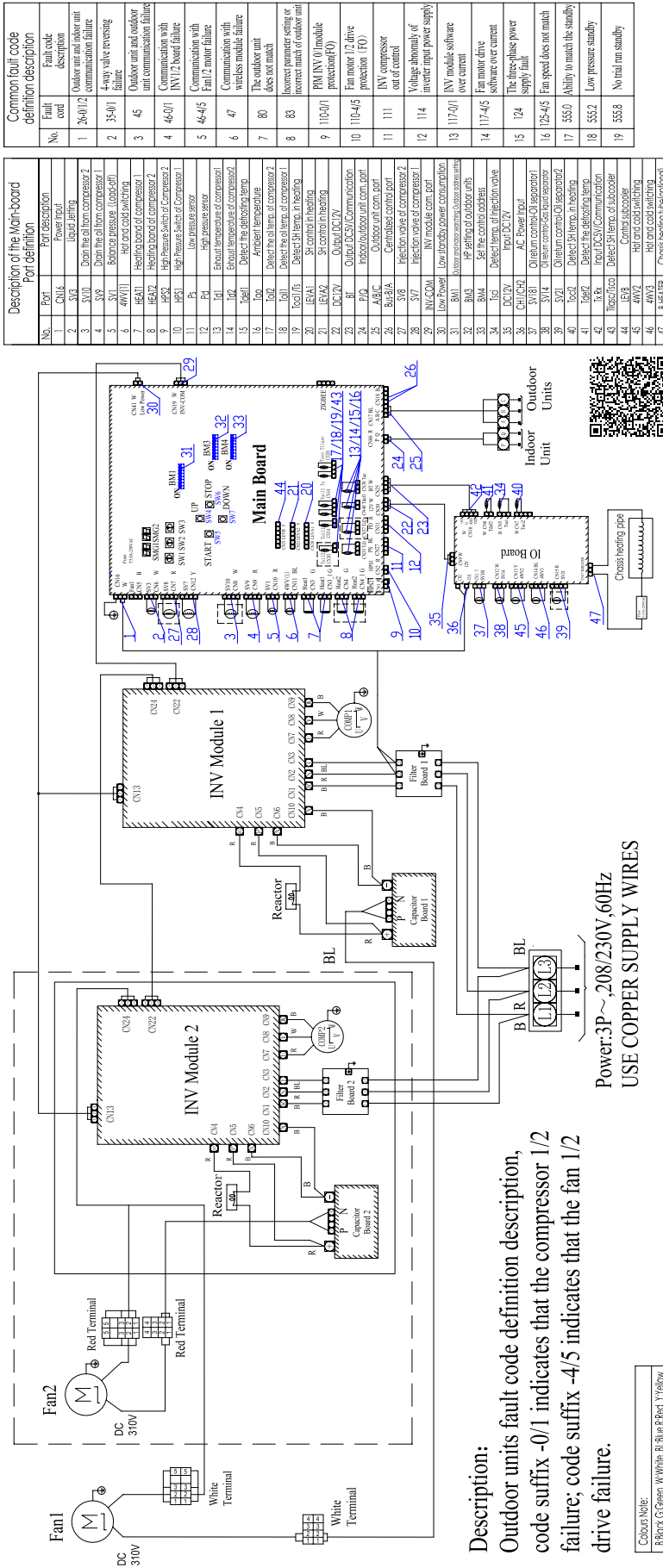


- In the air tightness test, please separate the indoor side of the airtight test to prevent nitrogen from entering the outdoor unit.
- In the welding process must be nitrogen and cooling protection, to prevent oxidation of the pipeline and the valve body damage.
- Tighten the bell-shaped pipe joint nut, do not exceed the appropriate torque, otherwise it will cause leakage. Cut off the valve tightening torque as shown on the right:
- At the time of shipment, the valves are fully closed and must be confirmed that the valves and trachea valves are fully open before starting the unit.
- After repair or maintenance is completed, the service valve and cap must be tightened with the appropriate torque to prevent refrigerant leakage.



NOTE

Globe valve size	Tightening torque N.m		Tightening torque N.m		Maintenance valve
	Flare nuts	Shaft (valve body)	Flare nuts	Shaft (valve body)	
1/4 in	14~18	5~6	68~82	8~9	8~10
3/8 in	34~42	5~6	84~98	8~9	
1/2 in	49~61	8~9	37.5±2.5	20~25	



Description:
Outdoor units fault code definition description, code suffix -0/1 indicates that the compressor 1/2 failure; code suffix -4/5 indicates that the fan 1/2 drive failure.

Colour Note:
B:Black G:Green W:White B:Blue R:Red Y:Yellow

Description of the Main-board Port definition		Common fault code definition description	
No.	Port description	No.	Fault code
1	Power input	1	26-0/1/2 Outdoor unit and indoor unit communication failure
2	CU6.6	2	35-0/1 4-way valve reversing failure
3	SV0	3	45 Outdoor unit and outdoor unit communication failure
4	SV10	4	46-0/1 Communication with INV1/2 board failure
5	SV9	5	46-4/5 Communication with Fan1/2 motor failure
6	SV7	6	47 Communication with wireless module failure
7	4WAY1	7	80 The outdoor unit does not match
8	HEAT1	8	83 Inverter parameter setting or incorrect limit of outdoor unit
9	HEAT2	9	110-0/1 PIM (INV 1) module protection(F)
10	HP2	10	110-4/5 Fan motor 1/2 drive protection (FO)
11	HP1	11	111 INV compressor out of control
12	PS	12	114 Voltage abnormality of inverter input power supply
13	PS	13	117-0/1 INV module software over current
14	IP1	14	117-4/5 Fan motor drive software over current
15	IP2	15	124 The three-phase power supply fault
16	IP3	16	125-4/5 Fan speed does not match
17	IP4	17	353.0 Ability to match the standby
18	IP5	18	353.2 Low pressure standby
19	IP6	19	353.3 No trial run standby

- In the air tightness test, please separate the indoor side of the airtight test to prevent nitrogen from entering into the outdoor unit.
- In the welding process must be nitrogen and cooling protection, to prevent oxidation of the pipeline and the valve body damage.
- Tighten the bell-shaped pipe joint nut, do not exceed the appropriate torque, otherwise it will cause leakage. Cut off the valve tightening torque as shown on the right:
- At the time of shipment, the valves are fully closed and must be confirmed that the valves and trachea valves are fully open before starting the unit.
- After repair or maintenance is completed, the service valve and cap must be tightened with the appropriate torque to prevent refrigerant leakage.



NOTE

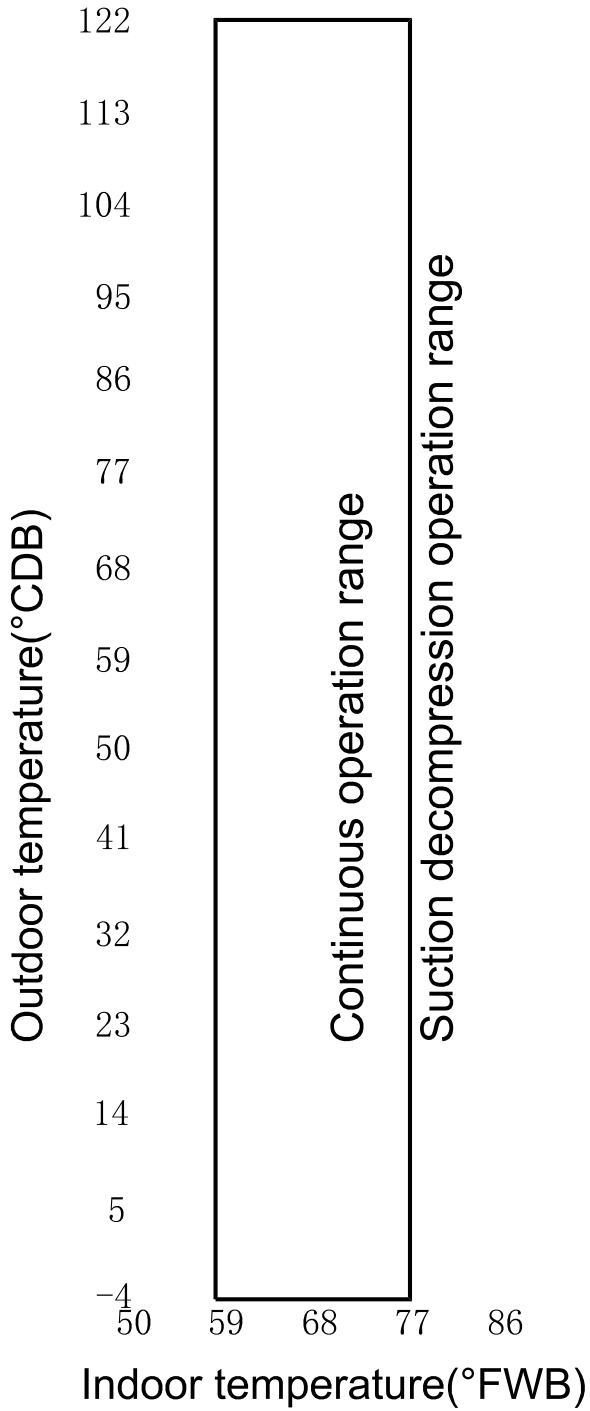
Globe valve size	Tightening torque N.m		Tightening torque N.m		Maintenance valve
	Flare nuts	Shaft (valve body)	Cap (bonnet)	Cap (bonnet)	
1/4 in	14~18	5~6	5/8 in	20~25	8~10
3/8 in	34~42	5~6	3/4 in	22~27	
1/2 in	49~61	8~9	11/8 in	20~25	

9. Electric Characteristics

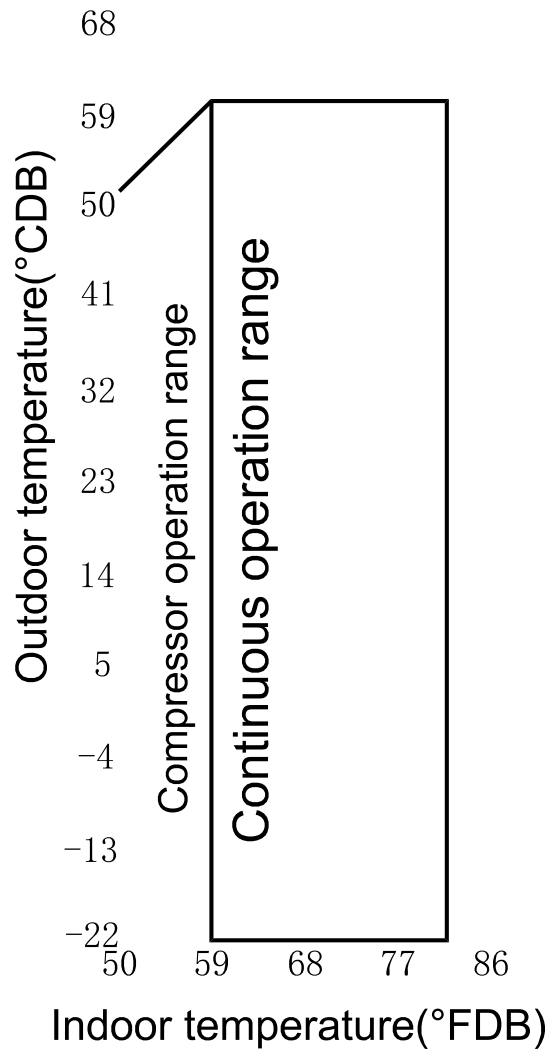
Model number		Units				Power Supply	
		HZ	Volts	Min.	Max	MCA	MOP
MVHQ072ME2CA		60	208/230	187	253	30	40
MVHQ096ME2CA		60	208/230	187	253	38	50
MVHQ120ME2CA		60	208/230	187	253	41	60
MVHQ144ME2CA		60	208/230	187	253	60	80
MVHQ168ME2CA		60	208/230	187	253	59	90
MVHQ192ME2CA		60	208/230	187	253	71	110
MVHQ216ME2CA		60	208/230	187	253	83	125
MVHQ240ME2CA		60	208/230	187	253	87	135
MVHQ264ME2CA	MVHQ144ME2CA MVHQ120ME2CA	60	208/230	187	253	60+41	80+60
MVHQ288ME2CA	MVHQ144ME2CA MVHQ168ME2CA	60	208/230	187	253	60+60	80+80
MVHQ312ME2CA	MVHQ144ME2CA MVHQ168ME2CA	60	208/230	187	253	60+59	80+90
MVHQ336ME2CA	MVHQ144ME2CA MVHQ192ME2CA	60	208/230	187	253	60+71	80+110
MVHQ360ME2CA	MVHQ168ME2CA MVHQ192ME2CA	60	208/230	187	253	59+71	90+110
MVHQ384ME2CA	MVHQ192ME2CA MVHQ192ME2CA	60	208/230	187	253	71+71	110+110
MVHQ408ME2CA	MVHQ192ME2CA MVHQ216ME2CA	60	208/230	187	253	71+83	110+125
MVHQ432ME2CA	MVHQ216ME2CA MVHQ216ME2CA	60	208/230	187	253	83+83	125+125

10. Operation Limits

Cooling



Heating



11. Capacity Table

MVHQ072ME2CA

230v cooling capacity

Combination	Outdoor Ambient Temperature		Indoor Ambient Temperature of WB(oC WB)																																																																																																																																																																																																																																																																																																																																																																																																																																																																																																																							
			57(13.9)			61(16.1)			64(17.8)			67(19.4)			70(21.1)			72(22.2)			75 (23.9)																																																																																																																																																																																																																																																																																																																																																																																																																																																																																																					
			TC	PI	KW	TC	PI	KW	TC	PI	KW	TC	PI	KW	TC	PI	KW	TC	PI	KW	TC	PI	KW																																																																																																																																																																																																																																																																																																																																																																																																																																																																																																			
	°F DB	°C DB	76.31	2.82	70.65	2.82	74.81	2.82	83.12	2.82	91.43	2.82	95.59	2.82	99.74	2.82	74.09	2.85	69.95	2.85	74.07	2.85	82.30	2.85	90.53	2.85	94.64	2.85	98.76	2.85	71.93	2.88	69.26	2.88	73.33	2.88	81.48	2.88	89.63	2.88	93.70	2.88	97.78	2.88	69.83	2.91	68.57	2.91	72.61	2.91	80.68	2.91	88.74	2.91	92.78	2.91	96.81	2.91	32	0	68.46	2.94	67.90	2.94	71.89	2.94	79.88	2.94	87.86	2.94	91.86	2.94	95.85	2.94	41	5	67.12	2.97	67.22	2.97	71.18	2.97	79.09	2.97	86.99	2.97	90.95	2.97	94.90	2.97	50	10	65.81	3.00	66.56	3.00	70.47	3.00	78.30	3.00	86.13	3.00	90.05	3.00	93.96	3.00	65	18.3	64.52	3.03	65.90	3.03	69.77	3.03	77.53	3.03	85.28	3.03	89.16	3.03	93.03	3.03	75	23.8	63.25	3.06	65.25	3.06	69.08	3.06	76.76	3.06	84.44	3.06	88.27	3.06	92.11	3.06	77	25	62.01	3.09	64.60	3.09	68.40	3.09	76.00	3.09	83.60	3.09	87.40	3.09	91.20	3.09	85	29.4	60.79	4.66	63.96	4.93	67.72	5.20	75.25	5.48	82.77	6.30	86.53	6.57	90.30	6.85	95	35	59.60	4.70	63.33	4.98	67.05	5.26	74.50	5.53	81.95	6.36	85.68	6.64	89.40	6.92	105	41	56.62	4.95	60.16	5.24	63.70	5.53	70.78	5.82	77.86	6.70	81.39	6.99	84.93	7.28	109	42.7	53.64	5.22	56.99	5.53	60.35	5.84	67.05	6.15	73.76	7.07	77.11	7.38	80.46	7.68	115	46	52.99	6.09	56.30	6.45	59.61	6.81	66.24	7.17	72.86	8.24	76.17	8.60	79.48	8.96	122	50	41.72	5.88	44.33	6.22	46.94	6.57	52.15	6.92	57.37	7.95	59.97	8.30	62.58	8.64	-4	-20	74.90	2.82	69.34	2.82	73.42	2.82	81.58	2.82	89.74	2.82	93.82	2.82	97.90	2.82	5	-15	72.71	2.85	68.66	2.85	72.70	2.85	80.77	2.85	88.85	2.85	92.89	2.85	96.93	2.85	14	-10	70.60	2.88	67.98	2.88	71.98	2.88	79.97	2.88	87.97	2.88	91.97	2.88	95.97	2.88	23	-5	68.54	2.91	67.30	2.91	71.26	2.91	79.18	2.91	87.10	2.91	91.06	2.91	95.02	2.91	32	0	67.20	2.94	66.64	2.94	70.56	2.94	78.40	2.94	86.24	2.94	90.16	2.94	94.08	2.94	41	5	65.88	2.97	65.98	2.97	69.86	2.97	77.62	2.97	85.38	2.97	89.26	2.97	93.15	2.97	50	10	64.59	3.00	65.32	3.00	69.17	3.00	76.85	3.00	84.54	3.00	88.38	3.00	92.22	3.00	65	18.3	63.32	3.03	64.68	3.03	68.48	3.03	76.09	3.03	83.70	3.03	87.51	3.03	91.31	3.03	75	23.8	62.08	3.06	64.04	3.06	67.80	3.06	75.34	3.06	82.87	3.06	86.64	3.06	90.41	3.06	77	25	60.86	3.09	63.40	3.09	67.13	3.09	74.59	3.09	82.05	3.09	85.78	3.09	89.51	3.09	85	29.4	59.67	4.61	62.78	4.88	66.47	5.15	73.85	5.42	81.24	6.24	84.93	6.51	88.62	6.78	95	35	58.50	4.66	62.15	4.93	65.81	5.20	73.12	5.48	80.44	6.30	84.09	6.57	87.75	6.85	105	41	55.57	4.90	59.05	5.19	62.52	5.48	69.47	5.77	76.41	6.63	79.89	6.92	83.36	7.21	109	42.7	52.65	5.17	55.94	5.48	59.23	5.78	65.81	6.09	72.39	7.00	75.68	7.30	78.97	7.61	115	46	52.01	6.03	55.26	6.39	58.51	6.74	65.01	7.10	71.51	8.16	74.76	8.52	78.01	8.87	122	50	40.95	5.82	43.51	6.16	46.07	6.51	51.19	6.85	56.30	7.88	58.86	8.22	61.42	8.56

Combination	Outdoor Ambient Temperature		Indoor Ambient Temperature of WB(oC WB)																																				
			57(13.9)				61(16.1)				64(17.8)				67(19.4)				70(21.1)				72(22.2)				75 (23.9)												
	°F DB	°C DB	TC	PI	KBTU	KW	TC	PI	KBTU	KW	TC	PI	KBTU	KW	TC	PI	KBTU	KW	TC	PI	KBTU	KW	TC	PI	KBTU	KW	TC	PI	KBTU	KW									
110%	-4	-20	72.78	2.82	67.38	2.82	71.34	2.82	79.27	2.82	87.20	2.82	91.16	2.82	95.13	2.82	70.66	2.85	78.49	2.85	86.34	2.85	90.26	2.85	94.18	2.85	66.05	2.88	77.71	2.88	85.48	2.88	89.37	2.88	93.25	2.88			
	5	-15	66.60	2.91	65.40	2.91	69.25	2.91	76.94	2.91	84.63	2.91	88.48	2.91	92.33	2.91	64.01	2.97	75.42	2.97	82.97	2.97	90.51	2.97	90.51	2.97	66.60	2.94	76.18	2.94	83.80	2.94	91.41	2.94	91.41	2.94			
	14	-10	65.29	3.00	64.11	3.00	67.88	3.00	74.68	3.00	82.15	3.00	85.88	3.00	89.61	3.00	64.01	2.97	75.42	2.97	82.97	2.97	90.51	2.97	90.51	2.97	66.60	2.94	76.18	2.94	83.80	2.94	91.41	2.94	91.41	2.94			
	23	-5	62.76	3.03	62.23	3.03	66.54	3.03	73.94	3.03	81.33	3.03	85.03	3.03	88.73	3.03	62.76	3.00	74.68	3.00	82.15	3.00	85.88	3.00	89.61	3.00	66.60	2.94	76.18	2.94	83.80	2.94	91.41	2.94	91.41	2.94			
	32	0	61.53	3.06	61.61	3.06	65.89	3.06	73.21	3.06	80.53	3.06	84.19	3.06	87.85	3.06	61.53	3.03	73.94	3.03	81.33	3.03	85.03	3.03	88.73	3.03	66.60	2.94	76.18	2.94	83.80	2.94	91.41	2.94	91.41	2.94			
	41	5	60.32	3.09	61.37	3.09	65.23	3.09	72.48	3.09	79.73	3.09	83.35	3.09	86.98	3.09	60.32	3.06	73.21	3.06	80.53	3.06	84.19	3.06	87.85	3.06	66.60	2.94	76.18	2.94	83.80	2.94	91.41	2.94	91.41	2.94			
	50	10	59.14	3.09	61.00	3.09	64.59	3.09	71.76	3.09	78.94	3.09	82.53	3.09	86.12	3.09	59.14	3.06	73.21	3.06	80.53	3.06	84.19	3.06	87.85	3.06	66.60	2.94	76.18	2.94	83.80	2.94	91.41	2.94	91.41	2.94			
	65	18.3	57.98	4.57	60.40	4.88	63.95	5.15	71.05	5.42	78.16	6.24	81.71	6.51	85.26	6.78	57.98	4.57	71.05	5.42	78.16	6.24	81.71	6.51	85.26	6.78	66.60	2.94	76.18	2.94	83.80	2.94	91.41	2.94	91.41	2.94			
	75	23.8	56.84	4.61	57.38	5.14	60.75	5.42	67.50	5.71	74.25	6.57	77.63	6.85	81.00	7.14	56.84	4.61	60.75	5.42	67.50	5.71	74.25	6.57	77.63	6.85	81.00	7.14	66.60	2.94	76.18	2.94	83.80	2.94	91.41	2.94	91.41	2.94	
	85	29.4	51.16	5.12	54.36	5.42	57.55	5.73	63.95	6.03	70.34	6.93	73.54	7.23	76.74	7.53	51.16	5.12	54.36	5.42	63.95	6.03	70.34	6.93	73.54	7.23	76.74	7.53	66.60	2.94	76.18	2.94	83.80	2.94	91.41	2.94	91.41	2.94	
	109	42.7	48.34	5.97	51.37	6.32	54.39	6.68	60.43	7.03	66.47	8.08	69.50	8.43	72.52	8.78	48.34	5.97	51.37	6.32	60.43	7.03	66.47	8.08	69.50	8.43	72.52	8.78	66.60	2.94	76.18	2.94	83.80	2.94	91.41	2.94	91.41	2.94	
	115	46	39.79	5.76	42.28	6.10	44.76	6.44	49.74	6.78	54.71	7.80	57.20	8.14	59.68	8.48	39.79	5.76	42.28	6.10	49.74	6.78	54.71	7.80	57.20	8.14	59.68	8.48	66.60	2.94	76.18	2.94	83.80	2.94	91.41	2.94	91.41	2.94	
	122	50	71.08	2.82	65.81	2.82	69.68	2.82	77.43	2.82	85.17	2.82	89.04	2.82	92.91	2.82	71.08	2.82	65.81	2.82	77.43	2.82	85.17	2.82	89.04	2.82	92.91	2.82	66.60	2.94	76.18	2.94	83.80	2.94	91.41	2.94	91.41	2.94	
	100%	5	-15	69.01	2.85	65.16	2.85	68.99	2.85	76.66	2.85	84.33	2.85	88.16	2.85	91.99	2.85	69.01	2.85	76.66	2.85	84.33	2.85	88.16	2.85	91.99	2.85	66.60	2.94	76.18	2.94	83.80	2.94	91.41	2.94	91.41	2.94	91.41	2.94
		14	-10	67.00	2.88	64.52	2.88	68.31	2.88	75.90	2.88	83.49	2.88	87.29	2.88	91.08	2.88	67.00	2.88	75.90	2.88	83.49	2.88	87.29	2.88	91.08	2.88	66.60	2.94	76.18	2.94	83.80	2.94	91.41	2.94	91.41	2.94	91.41	2.94
		23	-5	65.05	2.91	63.88	2.91	67.64	2.91	75.15	2.91	82.67	2.91	86.42	2.91	90.18	2.91	65.05	2.91	75.15	2.91	82.67	2.91	86.42	2.91	90.18	2.91	66.60	2.94	76.18	2.94	83.80	2.94	91.41	2.94	91.41	2.94	91.41	2.94
		32	0	63.78	2.94	63.25	2.94	66.97	2.94	74.41	2.94	81.85	2.94	85.57	2.94	89.29	2.94	63.78	2.94	74.41	2.94	81.85	2.94	85.57	2.94	89.29	2.94	66.60	2.94	76.18	2.94	83.80	2.94	91.41	2.94	91.41	2.94	91.41	2.94
41		5	62.52	2.97	62.62	2.97	66.30	2.97	73.67	2.97	81.04	2.97	84.72	2.97	88.40	2.97	62.52	2.97	73.67	2.97	81.04	2.97	84.72	2.97	88.40	2.97	66.60	2.94	76.18	2.94	83.80	2.94	91.41	2.94	91.41	2.94	91.41	2.94	
50		10	61.30	3.00	62.00	3.00	65.65	3.00	72.94	3.00	80.23	3.00	83.88	3.00	87.53	3.00	61.30	3.00	72.94	3.00	80.23	3.00	83.88	3.00	87.53	3.00	66.60	2.94	76.18	2.94	83.80	2.94	91.41	2.94	91.41	2.94	91.41	2.94	
65		18.3	60.10	3.03	61.39	3.03	65.00	3.03	72.22	3.03	79.44	3.03	83.05	3.03	86.66	3.03	60.10	3.03	72.22	3.03	79.44	3.03	83.05	3.03	86.66	3.03	66.60	2.94	76.18	2.94	83.80	2.94	91.41	2.94	91.41	2.94	91.41	2.94	
75		23.9	58.92	3.06	60.78	3.06	64.35	3.06	71.50	3.06	78.65	3.06	82.23	3.06	85.80	3.06	58.92	3.06	71.50	3.06	78.65	3.06	82.23	3.06	85.80	3.06	66.60	2.94	76.18	2.94	83.80	2.94	91.41	2.94	91.41	2.94	91.41	2.94	
77		25	57.76	3.09	60.18	3.09	63.72	3.09	70.80	3.09	77.87	3.09	81.41	3.09	84.95	3.09	57.76	3.09	70.80	3.09	77.87	3.09	81.41	3.09	84.95	3.09	66.60	2.94	76.18	2.94	83.80	2.94	91.41	2.94	91.41	2.94	91.41	2.94	
85		29.4	56.63	4.52	59.58	4.79	63.08	5.05	70.09	5.32	77.10	6.12	80.61	6.38	84.11	6.65	56.63	4.52	59.58	4.79	70.09	5.32	77.10	6.12	80.61	6.38	84.11	6.65	66.60	2.94	76.18	2.94	83.80	2.94	91.41	2.94	91.41	2.94	
95		35	55.52	4.57	58.99	4.83	62.46	5.10	69.40	5.37	76.34	6.18	79.81	6.45	83.28	6.71	55.52	4.57	58.99	4.83	69.40	5.37	76.34	6.18	79.81	6.45	83.28	6.71	66.60	2.94	76.18	2.94	83.80	2.94	91.41	2.94	91.41	2.94	
105	40.6	52.74	4.81	56.04	5.09	59.34	5.37	65.93	5.65	72.52	6.50	75.82	6.78	79.12	7.07	52.74	4.81	56.04	5.09	65.93	5.65	72.52	6.50	75.82	6.78	79.12	7.07	66.60	2.94	76.18	2.94	83.80	2.94	91.41	2.94	91.41	2.94		
109	42.8	49.97	5.07	53.09	5.37	56.21	5.67	62.46	5.97	68.71	6.86	71.83	7.16	74.95	7.46	49.97	5.07	53.09	5.37	62.46	5.97	68.71	6.86	71.83	7.16	74.95	7.46	66.60	2.94	76.18	2.94	83.80	2.94	91.41	2.94	91.41	2.94		
115	46.1	46.08	5.37	48.96	5.69	51.84	6.00	57.60	6.32	63.36	7.27	66.24	7.58	69.12	7.90	46.08	5.37	48.96	5.69	57.60	6.32	63.36	7.27	66.24	7.58	69.12	7.90	66.60	2.94	76.18	2.94	83.80	2.94	91.41	2.94	91.41	2.94		
122	50	38.86	5.71	41.29	6.04	43.72	6.38	48.58	6.71	53.44	7.72	55.87	8.06	58.30	8.39	38.86	5.71	41.29	6.04	48.58	6.71	53.44	7.72	55.87	8.06	58.30	8.39	66.60	2.94	76.18	2.94	83.80	2.94	91.41	2.94	91.41	2.94		

Combination	Outdoor Ambient Temperature		Indoor Ambient Temperature of WB(oC WB)																											
			57(13.9)				61(16.1)				64(17.8)				67(19.4)				70(21.1)				72(22.2)				75 (23.9)			
			TC	PI	KBTU	kW	TC	PI	KBTU	kW	TC	PI	KBTU	kW	TC	PI	KBTU	kW	TC	PI	KBTU	kW	TC	PI	KBTU	kW	TC	PI	KBTU	kW
	°F DB	°C DB	-4	-20	50.17	2.82	46.45	2.82	49.18	2.82	54.64	2.82	60.11	2.82	62.84	2.82	65.57	2.82	68.30	2.82	71.03	2.82	73.76	2.82	76.49	2.82	79.22	2.82	81.95	2.82
			5	-15	48.70	2.85	45.99	2.85	48.69	2.85	54.10	2.85	59.51	2.85	62.22	2.85	64.92	2.85	67.63	2.85	70.34	2.85	73.05	2.85	75.76	2.85	78.47	2.85	81.18	2.85
			14	-10	47.29	2.88	45.53	2.88	48.21	2.88	53.57	2.88	58.92	2.88	61.60	2.88	64.28	2.88	66.96	2.88	69.64	2.88	72.32	2.88	75.00	2.88	77.68	2.88	80.36	2.88
			23	-5	45.91	2.91	45.08	2.91	47.73	2.91	53.04	2.91	58.34	2.91	60.99	2.91	63.64	2.91	66.29	2.91	68.94	2.91	71.59	2.91	74.24	2.91	76.89	2.91	79.54	2.91
			32	0	45.01	2.94	44.63	2.94	47.26	2.94	52.51	2.94	57.76	2.94	60.39	2.94	63.01	2.94	65.63	2.94	68.25	2.94	70.87	2.94	73.49	2.94	76.11	2.94	78.73	2.94
			41	5	44.13	2.97	44.19	2.97	46.79	2.97	51.99	2.97	57.19	2.97	59.79	2.97	62.39	2.97	64.99	2.97	67.59	2.97	70.19	2.97	72.79	2.97	75.39	2.97	77.99	2.97
			50	10	43.26	3.00	43.76	3.00	46.33	3.00	51.48	3.00	56.62	3.00	59.20	3.00	61.77	3.00	64.34	3.00	66.91	3.00	69.48	3.00	72.05	3.00	74.62	3.00	77.19	3.00
			65	18.3	42.41	3.03	43.32	3.03	45.87	3.03	50.97	3.03	56.06	3.03	58.61	3.03	61.16	3.03	63.71	3.03	66.26	3.03	68.81	3.03	71.36	3.03	73.91	3.03	76.46	3.03
			75	23.8	41.58	3.06	42.89	3.06	45.42	3.06	50.46	3.06	55.51	3.06	58.03	3.06	60.56	3.06	63.09	3.06	65.62	3.06	68.15	3.06	70.70	3.06	73.25	3.06	75.80	3.06
			77	25	40.77	3.09	42.47	3.09	44.97	3.09	49.96	3.09	54.96	3.09	57.46	3.09	59.96	3.09	62.46	3.09	64.96	3.09	67.46	3.09	69.96	3.09	72.46	3.09	74.96	3.09
			85	29.4	39.97	2.76	42.05	2.92	44.52	3.08	49.47	3.24	54.42	3.40	56.89	3.56	59.36	3.72	61.83	3.88	64.29	4.04	66.75	4.20	69.21	4.36	71.67	4.52	74.13	4.68
			95	35	39.18	2.78	41.63	2.95	44.08	3.11	48.98	3.28	53.88	3.45	56.33	3.62	58.77	3.79	61.22	3.95	63.57	4.11	65.91	4.27	68.55	4.43	71.19	4.61	73.87	4.87
			105	41	37.22	2.93	39.55	3.10	41.88	3.28	46.53	3.45	51.18	3.62	53.51	3.79	55.84	3.95	58.11	4.11	60.34	4.27	62.57	4.43	64.80	4.61	67.03	4.87	69.26	5.13
			109	42.7	35.26	3.09	37.47	3.28	39.67	3.46	44.08	3.64	48.49	3.82	50.69	4.00	52.90	4.18	55.11	4.34	57.32	4.50	59.53	4.66	61.75	4.82	64.18	5.00	66.61	5.26
			115	46	36.31	3.61	38.58	3.82	40.85	4.03	45.38	4.24	49.92	4.48	52.19	4.66	54.46	4.84	56.73	5.00	58.99	5.16	61.26	5.32	63.53	5.48	65.80	5.64	68.07	5.80
			122	50	27.43	3.48	29.14	3.69	30.86	3.89	34.28	4.10	37.71	4.31	39.43	4.43	41.14	4.55	42.89	4.69	44.64	4.85	46.39	5.00	48.14	5.16	49.89	5.27	51.64	5.40
			-4	-20	43.81	2.82	40.56	2.82	42.95	2.82	47.72	2.82	52.49	2.82	54.87	2.82	57.26	2.82	59.63	2.82	61.99	2.82	64.36	2.82	66.73	2.82	69.10	2.82	71.47	2.82
			5	-15	42.53	2.85	40.16	2.85	42.52	2.85	47.24	2.85	51.97	2.85	54.33	2.85	56.69	2.85	59.05	2.85	61.41	2.85	63.77	2.85	66.13	2.85	68.49	2.85	70.85	2.85
			14	-10	41.29	2.88	39.76	2.88	42.10	2.88	46.78	2.88	51.45	2.88	53.79	2.88	56.13	2.88	58.49	2.88	60.85	2.88	63.21	2.88	65.57	2.88	67.93	2.88	70.29	2.88
			23	-5	40.09	2.91	39.37	2.91	41.68	2.91	46.31	2.91	50.95	2.91	53.26	2.91	55.58	2.91	57.94	2.91	60.30	2.91	62.64	2.91	64.98	2.91	67.32	2.91	69.66	2.91
			32	0	39.30	2.94	38.98	2.94	41.27	2.94	45.86	2.94	50.44	2.94	52.73	2.94	55.03	2.94	57.32	2.94	59.61	2.94	61.90	2.94	64.19	2.94	66.48	2.94	68.77	2.94
			41	5	38.53	2.97	38.59	2.97	40.86	2.97	45.40	2.97	49.94	2.97	52.21	2.97	54.48	2.97	56.75	2.97	59.02	2.97	61.29	2.97	63.56	2.97	65.83	2.97	68.10	2.97
			50	10	37.78	3.00	38.21	3.00	40.46	3.00	44.95	3.00	49.45	3.00	51.69	3.00	53.94	3.00	56.19	3.00	58.44	3.00	60.69	3.00	62.94	3.00	65.19	3.00	67.44	3.00
			65	18.3	37.04	3.03	37.83	3.03	40.06	3.03	44.51	3.03	48.96	3.03	51.18	3.03	53.41	3.03	55.66	3.03	57.91	3.03	60.16	3.03	62.41	3.03	64.66	3.03	66.91	3.03
			75	23.8	36.31	3.06	37.46	3.06	39.66	3.06	44.07	3.06	48.47	3.06	50.68	3.06	52.88	3.06	55.09	3.06	57.30	3.06	59.51	3.06	61.72	3.06	63.93	3.06	66.14	3.06
			77	25	35.60	3.09	37.09	3.09	39.27	3.09	43.63	3.09	47.99	3.09	50.17	3.09	52.36	3.09	54.54	3.09	56.72	3.09	58.90	3.09	61.08	3.09	63.26	3.09	65.44	3.09
			85	29.4	34.90	2.31	36.72	2.44	38.88	2.58	43.20	2.71	47.52	2.84	49.68	2.97	51.84	3.10	54.10	3.24	56.46	3.38	58.82	3.52	61.18	3.66	63.56	3.80	65.94	3.94
			95	35	34.22	2.33	36.35	2.47	38.49	2.60	42.77	2.74	47.05	2.87	49.19	2.99	51.32	3.13	53.59	3.27	55.95	3.41	58.30	3.55	61.01	3.69	63.62	3.83	65.94	3.97
			105	41	32.51	2.45	34.54	2.60	36.57	2.74	40.63	2.88	44.69	3.01	46.73	3.15	48.76	3.29	50.89	3.43	53.01	3.57	55.24	3.71	57.46	3.89	59.91	4.07	62.36	4.25
			109	42.7	30.79	2.59	32.72	2.74	34.64	2.89	38.49	3.04	42.34	3.19	44.27	3.34	46.19	3.49	48.13	3.64	50.07	3.79	51.99	3.94	53.94	4.09	55.91	4.24	57.88	4.39
			115	46	30.42	2.84	32.32	3.01	34.22	3.17	38.02	3.34	41.83	3.48	43.73	3.63	45.63	3.80	47.48	3.95	49.28	4.09	51.08	4.24	52.88	4.39	54.68	4.54	56.48	4.69
			122	50	23.95	2.91	25.45	3.08	26.95	3.25	29.94	3.42	32.93	3.56	34.43	3.71	35.93	3.86	37.43	3.96	38.93	4.01	40.43	4.06	41.93	4.11	43.43	4.16	44.93	4.21

70%

60%

Combination	Outdoor Ambient Temperature		Indoor Ambient Temperature of F WB(oC WB)																							
			57(13.9)			61(16.1)			64(17.8)			67(19.4)			70(21.1)			72(22.2)			75 (23.9)					
			TC	KBTU	PI	TC	KBTU	PI	TC	KBTU	PI	TC	KBTU	PI	TC	KBTU	PI	TC	KBTU	PI	TC	KBTU	PI	TC	KBTU	PI
°F DB	°C DB	TC	KBTU	PI	TC	KBTU	PI	TC	KBTU	PI	TC	KBTU	PI	TC	KBTU	PI	TC	KBTU	PI	TC	KBTU	PI	TC	KBTU	PI	
50%	-4	-20	35.33	2.82	2.82	32.71	2.82	2.82	34.63	2.82	2.82	38.48	2.82	2.82	42.33	2.82	2.82	44.25	2.82	2.82	46.18	2.82	2.82	46.18	2.82	
	5	-15	34.30	2.85	2.85	32.39	2.85	2.85	34.29	2.85	2.85	38.10	2.85	2.85	41.91	2.85	2.85	43.82	2.85	2.85	45.72	2.85	2.85	45.72	2.85	
	14	-10	33.30	2.88	2.88	32.06	2.88	2.88	33.95	2.88	2.88	37.72	2.88	2.88	41.50	2.88	2.88	43.38	2.88	2.88	45.27	2.88	2.88	45.27	2.88	
	23	-5	32.33	2.91	2.91	31.75	2.91	2.91	33.61	2.91	2.91	37.35	2.91	2.91	41.08	2.91	2.91	42.95	2.91	2.91	44.82	2.91	2.91	44.82	2.91	
	32	0	31.70	2.94	2.94	31.43	2.94	2.94	33.28	2.94	2.94	36.98	2.94	2.94	40.68	2.94	2.94	42.53	2.94	2.94	44.38	2.94	2.94	44.38	2.94	
	41	5	31.07	2.97	2.97	31.12	2.97	2.97	32.95	2.97	2.97	36.61	2.97	2.97	40.28	2.97	2.97	42.11	2.97	2.97	43.94	2.97	2.97	43.94	2.97	
	50	10	30.47	3.00	3.00	30.81	3.00	3.00	32.63	3.00	3.00	36.25	3.00	3.00	39.88	3.00	3.00	41.69	3.00	3.00	43.50	3.00	3.00	43.50	3.00	
	65	18.3	29.87	3.03	3.03	30.51	3.03	3.03	32.30	3.03	3.03	35.89	3.03	3.03	39.48	3.03	3.03	41.28	3.03	3.03	43.07	3.03	3.03	43.07	3.03	
	75	23.8	29.28	3.06	3.06	30.21	3.06	3.06	31.98	3.06	3.06	35.54	3.06	3.06	39.09	3.06	3.06	40.87	3.06	3.06	42.64	3.06	3.06	42.64	3.06	
	77	25	28.71	3.09	3.09	29.91	3.09	3.09	31.67	3.09	3.09	35.19	3.09	3.09	38.70	3.09	3.09	40.46	3.09	3.09	42.22	3.09	3.09	42.22	3.09	
	85	29.4	28.15	1.81	1.81	29.61	1.91	1.91	31.35	2.02	2.02	34.84	2.13	2.13	38.32	2.45	2.45	40.06	2.55	2.55	41.80	2.66	2.66	41.80	2.66	
	95	35	27.59	1.83	1.83	29.32	1.93	1.93	31.04	2.04	2.04	34.49	2.15	2.15	37.94	2.47	2.47	39.67	2.58	2.58	41.39	2.69	2.69	41.39	2.69	
105	41	26.21	1.92	1.92	27.85	2.04	2.04	29.49	2.15	2.15	32.77	2.26	2.26	36.04	2.60	2.60	37.68	2.71	2.71	39.32	2.83	2.83	39.32	2.83		
109	42.7	24.83	2.03	2.03	26.39	2.15	2.15	27.94	2.27	2.27	31.04	2.39	2.39	34.15	2.75	2.75	35.70	2.86	2.86	37.25	2.98	2.98	37.25	2.98		
115	46	23.29	2.25	2.25	24.74	2.38	2.38	26.20	2.51	2.51	29.11	2.64	2.64	32.02	3.04	3.04	33.47	3.17	3.17	34.93	3.30	3.30	34.93	3.30		
122	50	19.32	2.28	2.28	20.52	2.42	2.42	21.73	2.55	2.55	24.14	2.69	2.69	26.56	3.09	3.09	27.77	3.22	3.22	28.97	3.36	3.36	28.97	3.36		

MVHQ096ME2CA
230v cooling capacity

Combination	Outdoor Ambient Temperature °F DB °C DB	Indoor Ambient Temperature of WB(oC WB)																					
		57(13.9)			61(16.1)			64(17.8)			67(19.4)			70(21.1)			72(22.2)			75 (23.9)			
		TC	KBTU	PI	TC	KBTU	PI	TC	KBTU	PI	TC	KBTU	PI	TC	KBTU	PI	TC	KBTU	PI	TC	KBTU	PI	
130%	-4	100.80	5.06	93.33	5.36	98.82	5.65	109.80	5.95	120.78	6.84	126.27	7.14	131.76	7.44								
	5	97.87	5.11	92.41	5.41	97.84	5.71	108.71	6.01	119.58	6.91	125.02	7.21	130.46	7.51								
	14	95.02	5.21	91.49	5.52	96.87	5.83	107.64	6.13	118.40	7.05	123.78	7.36	129.16	7.67								
	23	92.25	5.32	90.59	5.63	95.91	5.95	106.57	6.26	117.23	7.20	122.56	7.51	127.89	7.82								
	32	90.44	5.43	89.69	5.75	94.96	6.07	105.52	6.39	116.07	7.34	121.34	7.66	126.62	7.98								
	41	88.67	5.54	88.80	5.86	94.02	6.19	104.47	6.52	114.92	7.49	120.14	7.82	125.37	8.15								
	50	86.93	5.65	87.92	5.98	93.09	6.32	103.44	6.65	113.78	7.65	118.95	7.98	124.12	8.31								
	65	85.22	5.77	87.05	6.11	92.17	6.45	102.41	6.79	112.65	7.80	117.78	8.14	122.90	8.48								
	75	83.55	5.89	86.19	6.23	91.26	6.58	101.40	6.92	111.54	7.96	116.61	8.31	121.68	8.65								
	77	81.91	6.01	85.34	6.36	90.36	6.71	100.40	7.07	110.43	8.12	115.45	8.48	120.47	8.83								
	85	80.31	6.13	84.49	6.49	89.46	6.85	99.40	7.21	109.34	8.29	114.31	8.65	119.28	9.01								
	95	78.73	6.19	83.65	6.55	88.58	6.92	98.42	7.28	108.26	8.37	113.18	8.74	118.10	9.10								
105	74.80	6.52	79.47	6.90	84.15	7.28	93.50	7.67	102.85	8.82	107.52	9.20	112.20	9.58									
109	70.86	6.88	75.29	7.28	79.72	7.69	88.58	8.09	97.43	9.30	101.86	9.71	106.29	10.11									
115	67.44	7.05	71.65	7.46	75.87	7.88	84.30	8.29	92.73	9.53	96.94	9.95	101.16	10.36									
122	55.11	7.74	58.56	8.19	62.00	8.65	68.89	9.10	75.78	10.47	79.23	10.92	82.67	11.38									
120%	-4	98.92	5.01	91.59	5.30	96.97	5.60	107.75	5.89	118.52	6.78	123.91	7.07	129.30	7.37								
	5	96.04	5.06	90.68	5.36	96.01	5.65	106.68	5.95	117.35	6.85	122.68	7.14	128.02	7.44								
	14	93.24	5.16	89.78	5.47	95.06	5.77	105.63	6.07	116.19	6.98	121.47	7.29	126.75	7.59								
	23	90.52	5.27	88.89	5.58	94.12	5.89	104.58	6.20	115.04	7.13	120.27	7.44	125.50	7.75								
	32	88.75	5.38	88.01	5.69	93.19	6.01	103.54	6.32	113.90	7.27	119.08	7.59	124.25	7.91								
	41	87.01	5.49	87.14	5.81	92.27	6.13	102.52	6.45	112.77	7.42	117.90	7.74	123.02	8.07								
	50	85.30	5.60	86.28	5.93	91.35	6.26	101.50	6.59	111.65	7.57	116.73	7.90	121.80	8.23								
	65	83.63	5.71	85.42	6.05	90.45	6.38	100.50	6.72	110.55	7.73	115.57	8.06	120.60	8.40								
	75	81.99	5.83	84.58	6.17	89.55	6.51	99.50	6.86	109.45	7.89	114.43	8.23	119.40	8.57								
	77	80.38	5.95	83.74	6.30	88.67	6.65	98.52	7.00	108.37	8.05	113.30	8.40	118.22	8.75								
	85	78.81	6.07	82.91	6.43	87.79	6.78	97.54	7.14	107.30	8.21	112.17	8.57	117.05	8.92								
	95	77.26	6.13	82.09	6.49	86.92	6.85	96.58	7.21	106.24	8.29	111.06	8.65	115.89	9.01								
105	73.40	6.45	77.99	6.83	82.57	7.21	91.75	7.59	100.92	8.73	105.51	9.11	110.10	9.49									
109	69.54	6.81	73.88	7.21	78.23	7.61	86.92	8.01	95.61	9.21	99.96	9.62	104.30	10.02									
115	64.84	6.98	68.90	7.39	72.95	7.80	81.05	8.21	89.16	9.44	93.21	9.85	97.26	10.26									
122	54.08	7.66	57.46	8.11	60.84	8.56	67.60	9.01	74.36	10.37	77.74	10.82	81.12	11.27									

Combination	Outdoor Ambient Temperature		Indoor Ambient Temperature of WB(oC WB)																																
			57(13.9)				61(16.1)				64(17.8)				67(19.4)				70(21.1)				72(22.2)				75 (23.9)								
	°F DB	°C DB	TC	KBTU	PI	KW	TC	KBTU	PI	KW	TC	KBTU	PI	KW	TC	KBTU	PI	KW	TC	KBTU	PI	KW	TC	KBTU	PI	KW	TC	KBTU	PI	KW					
	-4	-20	97.03	4.96	89.84	5.25	95.13	5.54	105.70	5.84	116.27	6.71	121.55	7.00	126.84	7.29																			
	5	-15	94.21	5.01	88.95	5.30	94.18	5.60	104.65	5.89	115.11	6.78	120.35	7.07	125.58	7.37																			
	14	-10	91.46	5.11	88.07	5.41	93.25	5.71	103.61	6.01	113.97	6.92	119.16	7.22	124.34	7.52																			
	23	-5	88.80	5.22	87.20	5.52	92.33	5.83	102.59	6.14	112.85	7.06	117.98	7.36	123.10	7.67																			
	32	0	87.06	5.32	86.34	5.64	91.41	5.95	101.57	6.26	111.73	7.20	116.81	7.51	121.89	7.83																			
	41	5	85.35	5.43	85.48	5.75	90.51	6.07	100.57	6.39	110.62	7.35	115.65	7.67	120.68	7.99																			
	50	10	83.68	5.54	84.63	5.87	89.61	6.19	99.57	6.52	109.53	7.50	114.51	7.82	119.48	8.15																			
	65	18.3	82.04	5.66	83.80	5.99	88.73	6.32	98.58	6.65	108.44	7.65	113.37	7.98	118.30	8.32																			
	75	23.8	80.43	5.77	82.97	6.11	87.85	6.45	97.61	6.79	107.37	7.81	112.25	8.15	117.13	8.49																			
	77	25	78.85	5.89	82.15	6.24	86.98	6.58	96.64	6.93	106.31	7.97	111.14	8.31	115.97	8.66																			
	85	29.4	77.31	6.01	81.33	6.36	86.12	6.72	95.69	7.07	105.25	8.13	110.04	8.48	114.82	8.84																			
	95	35	75.79	6.07	80.53	6.43	85.26	6.78	94.74	7.14	104.21	8.21	108.95	8.57	113.69	8.93																			
	105	41	72.00	6.39	76.50	6.76	81.00	7.14	90.00	7.52	99.00	8.64	103.50	9.02	108.00	9.40																			
	109	42.7	68.21	6.74	72.47	7.14	76.74	7.54	85.26	7.93	93.79	9.12	98.05	9.52	102.32	9.92																			
	115	46	63.61	6.91	67.58	7.32	71.56	7.72	79.51	8.13	87.46	9.35	91.44	9.76	95.41	10.16																			
	122	50	53.05	7.59	56.37	8.03	59.68	8.48	66.32	8.93	72.95	10.26	76.26	10.71	79.58	11.16																			
	-4	-20	94.21	4.91	87.22	5.20	92.36	5.49	102.62	5.78	112.88	6.64	118.01	6.93	123.14	7.22																			
	5	-15	91.46	4.96	86.36	5.25	91.44	5.54	101.60	5.84	111.76	6.71	116.84	7.00	121.92	7.29																			
	14	-10	88.80	5.06	85.51	5.36	90.54	5.66	100.60	5.95	110.66	6.85	115.68	7.15	120.71	7.44																			
	23	-5	86.21	5.16	84.66	5.47	89.64	5.77	99.60	6.08	109.56	6.99	114.54	7.29	119.52	7.60																			
	32	0	84.52	5.27	83.82	5.58	88.75	5.89	98.61	6.20	108.47	7.13	113.41	7.44	118.34	7.75																			
	41	5	82.87	5.38	82.99	5.69	87.87	6.01	97.64	6.33	107.40	7.28	112.28	7.59	117.16	7.91																			
	50	10	81.24	5.49	82.17	5.81	87.00	6.13	96.67	6.46	106.34	7.42	111.17	7.75	116.00	8.07																			
	65	18.3	79.65	5.60	81.36	5.93	86.14	6.26	95.71	6.59	105.28	7.58	110.07	7.91	114.86	8.23																			
	75	23.9	78.09	5.71	80.55	6.05	85.29	6.39	94.77	6.72	104.24	7.73	108.98	8.07	113.72	8.40																			
	77	25	76.56	5.83	79.75	6.17	84.44	6.52	93.83	6.86	103.21	7.89	107.90	8.23	112.59	8.57																			
	85	29.4	75.05	5.95	78.96	6.30	83.61	6.65	92.90	7.00	102.19	8.05	106.83	8.40	111.48	8.75																			
	95	35	73.58	6.01	78.18	6.36	82.78	6.72	91.98	7.07	101.18	8.13	105.78	8.48	110.37	8.84																			
	105	40.6	69.90	6.33	74.27	6.70	78.64	7.07	87.38	7.44	96.12	8.56	100.49	8.93	104.86	9.30																			
	109	42.8	66.22	6.68	70.36	7.07	74.50	7.46	82.78	7.86	91.06	9.03	95.20	9.43	99.34	9.82																			
	115	46.1	61.74	6.84	65.60	7.24	69.46	7.65	77.18	8.05	84.90	9.26	88.76	9.66	92.62	10.06																			
	122	50	51.51	7.51	54.73	7.95	57.95	8.40	64.38	8.84	70.82	10.16	74.04	10.61	77.26	11.05																			

110%

100%

Combination	Outdoor Ambient Temperature °F DB / °C DB	Indoor Ambient Temperature of WB(oC WB)																					
		57(13.9)			61(16.1)			64(17.8)			67(19.4)			70(21.1)			72(22.2)			75 (23.9)			
		TC	PI	KW	TC	PI	KW	TC	PI	KW	TC	PI	KW	TC	PI	KW	TC	PI	KW	TC	PI	KW	
90%	-4	84.79	4.08	4.32	78.50	4.56	4.80	92.36	4.80	5.51	101.59	5.51	106.21	5.75	110.83	5.99							
	5	82.32	4.12	4.36	77.73	4.60	4.84	91.44	4.84	5.57	100.59	5.57	105.16	5.81	109.73	6.05							
	14	79.92	4.20	4.45	76.96	4.70	4.94	90.54	4.94	5.68	99.59	5.68	104.12	5.93	108.64	6.18							
	23	77.59	4.29	4.54	76.19	4.79	4.99	89.64	5.04	5.80	98.60	5.80	103.09	6.05	107.57	6.30							
	32	76.07	4.37	4.63	75.44	4.89	5.15	88.75	5.15	5.92	97.63	5.92	102.06	6.18	106.50	6.43							
	41	74.58	4.46	4.73	74.69	4.99	5.25	87.87	5.25	6.04	96.66	6.04	101.05	6.30	105.45	6.56							
	50	73.12	4.55	4.82	73.95	5.09	5.36	87.00	5.36	6.16	95.70	6.16	100.05	6.43	104.40	6.70							
	65	71.68	4.65	4.92	73.22	5.19	5.47	86.14	5.47	6.29	94.76	6.29	99.06	6.56	103.37	6.83							
	75	70.28	4.74	5.02	72.50	5.30	5.58	85.29	5.58	6.42	93.82	6.42	98.08	6.70	102.35	6.97							
	77	68.90	4.84	5.12	71.78	5.41	5.69	84.44	5.69	6.55	92.89	6.55	97.11	6.83	101.33	7.12							
	85	67.55	4.94	5.23	71.07	5.52	5.81	83.61	5.81	6.68	91.97	6.68	96.15	6.97	100.33	7.26							
	95	66.22	4.99	5.28	70.36	5.57	5.87	82.78	5.87	6.75	91.06	6.75	95.20	7.04	99.34	7.34							
105	62.91	5.25	5.56	66.85	5.87	6.19	78.64	6.19	7.50	86.51	7.50	90.44	7.41	94.37	7.72								
109	59.60	5.54	5.87	63.33	6.12	6.44	74.50	6.44	7.41	81.95	7.41	85.68	7.82	89.40	8.15								
115	57.43	5.47	5.80	61.02	6.12	6.44	71.79	6.44	7.34	78.97	7.34	82.56	7.73	86.15	8.05								
122	46.36	6.23	6.60	49.25	6.60	6.97	57.95	6.97	7.34	63.74	7.34	66.64	8.80	69.54	9.17								
80%	-4	77.25	3.49	3.69	71.52	3.90	4.10	84.15	4.10	4.72	92.56	4.72	96.77	4.92	100.98	5.13							
	5	75.00	3.52	3.73	70.82	3.94	4.14	83.31	4.14	4.76	91.64	4.76	95.81	4.97	99.98	5.18							
	14	72.82	3.59	3.81	70.12	4.02	4.23	82.49	4.23	4.86	90.74	4.86	94.86	5.07	98.99	5.28							
	23	70.70	3.67	3.88	69.42	4.10	4.31	81.67	4.31	4.96	89.84	4.96	93.92	5.18	98.01	5.39							
	32	69.31	3.74	3.96	68.73	4.18	4.40	80.86	4.40	5.06	88.95	5.06	92.99	5.28	97.04	5.50							
	41	67.95	3.82	4.04	68.05	4.27	4.49	80.06	4.49	5.17	88.07	5.17	92.07	5.39	96.07	5.62							
	50	66.62	3.90	4.13	67.38	4.35	4.58	79.27	4.58	5.27	87.20	5.27	91.16	5.50	95.12	5.73							
	65	65.31	3.98	4.21	66.71	4.44	4.68	78.48	4.68	5.38	86.33	5.38	90.26	5.61	94.18	5.85							
	75	64.03	4.06	4.30	66.05	4.53	4.77	77.71	4.77	5.49	85.48	5.49	89.36	5.73	93.25	5.97							
	77	62.78	4.14	4.38	65.40	4.63	4.87	76.94	4.87	5.60	84.63	5.60	88.48	5.84	92.33	6.09							
	85	61.54	4.22	4.47	64.75	4.72	4.97	76.18	4.97	5.71	83.79	5.71	87.60	5.96	91.41	6.21							
	95	60.34	4.27	4.52	64.11	4.77	5.02	75.42	5.02	5.77	82.96	5.77	86.74	6.02	90.51	6.27							
105	57.32	4.49	4.76	60.90	5.02	5.28	71.65	5.28	6.08	78.82	6.08	82.40	6.34	85.98	6.60								
109	54.30	4.74	5.02	57.70	5.30	5.58	67.88	5.58	6.41	74.67	6.41	78.06	6.69	81.46	6.97								
115	54.96	4.86	5.14	58.40	5.43	5.71	68.70	5.71	6.57	75.57	6.57	79.01	6.86	82.44	7.14								
122	42.24	5.33	5.65	44.88	5.96	6.27	52.80	6.27	7.22	58.08	7.22	60.71	7.53	63.35	7.84								

Combination	Outdoor Ambient Temperature		Indoor Ambient Temperature of WB(oC WB)																								
			57(13.9)			61(16.1)			64(17.8)			67(19.4)			70(21.1)			72(22.2)			75 (23.9)						
			TC	PI	KW	TC	PI	KW	TC	PI	KW	TC	PI	KW	TC	PI	KW	TC	PI	KW	TC	PI	KW				
	°F DB	°C DB	KBTU	PI	KW	KBTU	TC	PI	KW	KBTU	TC	PI	KW	KBTU	TC	PI	KW	KBTU	TC	PI	KW	KBTU	TC	PI	KW		
	-4	-20	67.83	2.95	3.12	66.50	3.29	3.47	73.88	3.47	81.27	3.99	84.97	4.16	88.66	4.33											
	5	-15	65.85	2.98	3.15	65.84	3.33	3.50	73.15	3.50	80.47	4.03	84.13	4.20	87.78	4.38											
	14	-10	63.94	3.04	3.22	65.19	3.39	3.57	72.43	3.57	79.67	4.11	83.29	4.29	86.91	4.47											
	23	-5	62.07	3.10	3.28	64.54	3.46	3.65	71.71	3.65	78.88	4.19	82.47	4.37	86.05	4.56											
	32	0	60.86	3.16	3.35	63.90	3.53	3.72	71.00	3.72	78.10	4.28	81.65	4.46	85.20	4.65											
	41	5	59.66	3.23	3.42	63.27	3.61	3.80	70.30	3.80	77.33	4.37	80.84	4.56	84.36	4.75											
	50	10	58.49	3.29	3.49	62.64	3.68	3.87	69.60	3.87	76.56	4.45	80.04	4.65	83.52	4.84											
	65	18.3	57.35	3.36	3.56	58.58	3.75	3.95	68.91	3.95	75.80	4.55	79.25	4.74	82.70	4.94											
	75	23.8	56.22	3.43	3.63	61.41	3.83	4.03	68.23	4.03	75.05	4.64	78.47	4.84	81.88	5.04											
	77	25	55.12	3.50	3.70	60.80	3.91	4.12	67.56	4.12	74.31	4.73	77.69	4.94	81.07	5.14											
	85	29.4	54.04	3.57	3.78	60.20	3.99	4.20	66.89	4.20	73.58	4.83	76.92	5.04	80.26	5.25											
	95	35	52.98	3.61	3.82	59.60	4.03	4.24	66.22	4.24	72.85	4.88	76.16	5.09	79.47	5.30											
	105	41	50.33	3.80	4.02	56.62	4.24	4.47	62.91	4.47	69.20	5.14	72.35	5.36	75.50	5.58											
	109	42.7	47.68	4.01	4.24	53.64	4.48	4.71	59.60	4.71	65.56	5.42	68.54	5.66	71.52	5.89											
	115	46	48.17	3.90	4.13	54.19	4.36	4.59	60.21	4.59	66.23	5.28	69.24	5.51	72.25	5.74											
	122	50	37.09	4.51	4.77	41.72	5.04	5.30	46.36	5.30	50.99	6.10	53.31	6.36	55.63	6.63											
	-4	-20	58.41	2.41	2.55	57.26	2.69	2.83	63.62	2.83	69.99	3.26	73.17	3.40	76.35	3.54											
	5	-15	56.71	2.43	2.57	56.69	2.72	2.86	62.99	2.86	69.29	3.29	72.44	3.43	75.59	3.57											
	14	-10	55.06	2.48	2.63	56.13	2.77	2.92	62.37	2.92	68.61	3.36	71.72	3.50	74.84	3.65											
	23	-5	53.45	2.53	2.68	55.58	2.83	2.98	61.75	2.98	67.93	3.42	71.01	3.57	74.10	3.72											
	32	0	52.40	2.58	2.73	55.03	2.89	3.04	61.14	3.04	67.25	3.49	70.31	3.65	73.37	3.80											
	41	5	51.38	2.64	2.79	54.48	2.95	3.10	60.53	3.10	66.59	3.57	69.62	3.72	72.64	3.88											
	50	10	50.37	2.69	2.85	53.94	3.01	3.16	59.94	3.16	65.93	3.64	68.93	3.80	71.92	3.95											
	65	18.3	49.38	2.74	2.91	53.41	3.07	3.23	59.34	3.23	65.28	3.71	68.24	3.87	71.21	4.03											
	75	23.8	48.41	2.80	2.96	52.88	3.13	3.29	58.75	3.29	64.63	3.79	67.57	3.95	70.51	4.12											
	77	25	47.46	2.86	3.02	52.36	3.19	3.36	58.17	3.36	63.99	3.87	66.90	4.03	69.81	4.20											
	85	29.4	46.53	2.92	3.09	51.84	3.26	3.43	57.60	3.43	63.36	3.94	66.24	4.12	69.12	4.29											
	95	35	45.62	2.94	3.12	51.32	3.29	3.46	57.03	3.46	62.73	3.98	65.58	4.16	68.43	4.33											
	105	41	43.34	3.10	3.28	48.76	3.46	3.65	54.18	3.65	59.59	4.19	62.30	4.38	65.01	4.56											
	109	42.7	41.06	3.27	3.46	46.19	3.66	3.85	51.32	3.85	56.46	4.43	59.02	4.62	61.59	4.81											
	115	46	42.61	3.35	3.55	47.94	3.75	3.94	53.26	3.94	58.59	4.54	61.25	4.73	63.92	4.93											
	122	50	31.93	3.68	3.90	35.93	4.11	4.33	39.92	4.33	43.91	4.98	45.91	5.20	47.90	5.41											

70%

60%

Combination	Outdoor Ambient Temperature		Indoor Ambient Temperature of F WB(oC WB)																																	
			57(13.9)				61(16.1)				64(17.8)				67(19.4)				70(21.1)				72(22.2)				75 (23.9)									
	°F DB	°C DB	TC	KBTU	PI	kW	TC	KBTU	PI	kW	TC	KBTU	PI	kW	TC	KBTU	PI	kW	TC	KBTU	PI	kW	TC	KBTU	PI	kW	TC	KBTU	PI	kW						
50%	-4	-20	47.10	1.96	43.61	2.08	46.18	2.20	51.31	2.31	56.44	2.66	59.01	2.77	61.57	2.89																				
	5	-15	45.73	1.98	43.18	2.10	45.72	2.22	50.80	2.33	55.88	2.68	58.42	2.80	60.96	2.92																				
	14	-10	44.40	2.02	42.75	2.14	45.27	2.26	50.30	2.38	55.33	2.74	57.84	2.86	60.36	2.98																				
	23	-5	43.11	2.07	42.33	2.19	44.82	2.31	49.80	2.43	54.78	2.80	57.27	2.92	59.76	3.04																				
	32	0	42.26	2.11	41.91	2.23	44.38	2.36	49.31	2.48	54.24	2.85	56.70	2.98	59.17	3.10																				
	41	5	41.43	2.15	41.50	2.28	43.94	2.40	48.82	2.53	53.70	2.91	56.14	3.04	58.58	3.16																				
	50	10	40.62	2.20	41.08	2.32	43.50	2.45	48.34	2.58	53.17	2.97	55.59	3.10	58.00	3.23																				
	65	18.3	39.82	2.24	40.68	2.37	43.07	2.50	47.86	2.64	52.64	3.03	55.04	3.16	57.43	3.29																				
	75	23.8	39.04	2.29	40.28	2.42	42.64	2.55	47.38	2.69	52.12	3.09	54.49	3.23	56.86	3.36																				
	77	25	38.28	2.33	39.88	2.47	42.22	2.61	46.91	2.74	51.60	3.16	53.95	3.29	56.30	3.43																				
	85	29.4	37.53	2.38	39.48	2.52	41.80	2.66	46.45	2.80	51.09	3.22	53.42	3.36	55.74	3.50																				
	95	35	36.79	2.40	39.09	2.55	41.39	2.69	45.99	2.83	50.59	3.25	52.89	3.39	55.19	3.54																				
105	41	34.95	2.53	37.14	2.68	39.32	2.83	43.69	2.98	48.06	3.42	50.24	3.57	52.43	3.72																					
109	42.7	33.11	2.67	35.18	2.83	37.25	2.99	41.39	3.14	45.53	3.61	47.60	3.77	49.67	3.93																					
115	46	32.59	2.60	34.63	2.75	36.67	2.91	40.74	3.06	44.82	3.52	46.85	3.67	48.89	3.82																					
122	50	25.75	3.00	27.36	3.18	28.97	3.36	32.19	3.54	35.41	4.07	37.02	4.24	38.63	4.42																					

Combination	Outdoor Ambient Temperature °F DB °C DB	Indoor Ambient Temperature of F WB(oC WB)																												
		57(13.9)			61(16.1)			64(17.8)			67(19.4)			70(21.1)			72(22.2)			75 (23.9)										
		TC	KBTU	PI	TC	KBTU	PI	TC	KBTU	PI	TC	KBTU	PI	TC	KBTU	PI	TC	KBTU	PI	TC	KBTU	PI								
90%	-4	105.98	5.32	98.13	5.63	103.90	5.95	115.44	6.26	126.99	7.20	132.76	7.51	138.53	7.83	102.90	5.37	97.16	5.69	102.87	6.01	114.30	6.32	125.73	7.27	131.45	7.59	137.16	7.90	
	5	99.90	5.48	96.19	5.81	101.85	6.13	113.17	6.45	124.49	7.42	130.15	7.74	135.80	8.07	96.99	5.60	95.24	5.93	100.84	6.25	112.05	6.58	123.25	7.57	128.86	7.90	134.46	8.23	
	14	95.09	5.71	94.30	6.05	99.85	6.38	110.94	6.72	122.03	7.73	127.58	8.06	133.13	8.40	95.09	5.71	94.30	6.05	99.85	6.38	110.94	6.72	122.03	7.73	127.58	8.06	133.13	8.40	
	23	93.22	5.83	93.37	6.17	98.86	6.51	109.84	6.86	120.83	7.88	126.32	8.23	131.81	8.57	93.22	5.83	93.37	6.17	98.86	6.51	109.84	6.86	120.83	7.88	126.32	8.23	131.81	8.57	
	32	91.40	5.95	92.44	6.30	97.88	6.65	108.75	7.00	119.63	8.04	125.07	8.39	130.50	8.74	91.40	5.95	92.44	6.30	97.88	6.65	108.75	7.00	119.63	8.04	125.07	8.39	130.50	8.74	
	41	89.60	6.07	91.53	6.42	96.91	6.78	107.68	7.14	118.44	8.21	123.83	8.57	129.21	8.92	89.60	6.07	91.53	6.42	96.91	6.78	107.68	7.14	118.44	8.21	123.83	8.57	129.21	8.92	
	50	87.85	6.19	90.62	6.56	95.95	6.92	106.61	7.28	117.27	8.38	122.60	8.74	127.93	9.10	87.85	6.19	90.62	6.56	95.95	6.92	106.61	7.28	117.27	8.38	122.60	8.74	127.93	9.10	
	65	86.12	6.32	89.72	6.69	95.00	7.06	105.56	7.43	116.11	8.55	121.39	8.92	126.67	9.29	86.12	6.32	89.72	6.69	95.00	7.06	105.56	7.43	116.11	8.55	121.39	8.92	126.67	9.29	
	75	84.44	6.45	88.83	6.83	94.06	7.21	104.51	7.58	114.96	8.72	120.19	9.10	125.41	9.48	84.44	6.45	88.83	6.83	94.06	7.21	104.51	7.58	114.96	8.72	120.19	9.10	125.41	9.48	
	85	82.78	6.51	87.95	6.89	93.13	7.28	103.48	7.66	113.82	8.81	119.00	9.19	124.17	9.58	82.78	6.51	87.95	6.89	93.13	7.28	103.48	7.66	113.82	8.81	119.00	9.19	124.17	9.58	
	95	81.02	6.69	87.06	7.00	92.20	7.40	102.55	7.80	112.90	8.90	118.00	9.20	123.00	9.90	81.02	6.69	87.06	7.00	92.20	7.40	102.55	7.80	112.90	8.90	118.00	9.20	123.00	9.90	
	105	79.50	6.83	86.17	7.14	91.30	7.54	101.70	7.94	112.10	8.94	117.20	9.24	122.10	10.10	79.50	6.83	86.17	7.14	91.30	7.54	101.70	7.94	112.10	8.94	117.20	9.24	122.10	10.10	
	109	77.99	7.00	85.30	7.28	90.40	7.68	100.90	8.08	111.30	9.08	116.40	9.38	121.10	10.30	77.99	7.00	85.30	7.28	90.40	7.68	100.90	8.08	111.30	9.08	116.40	9.38	121.10	10.30	
	115	76.50	7.15	84.45	7.43	89.55	7.83	100.05	8.23	110.45	9.23	115.55	9.53	120.35	10.50	76.50	7.15	84.45	7.43	89.55	7.83	100.05	8.23	110.45	9.23	115.55	9.53	120.35	10.50	
	122	75.00	7.30	83.60	7.58	88.70	7.98	99.20	8.38	109.60	9.38	114.70	9.68	119.60	10.80	75.00	7.30	83.60	7.58	88.70	7.98	99.20	8.38	109.60	9.38	114.70	9.68	119.60	10.80	
	80%	-4	96.56	4.55	89.41	4.82	94.66	5.09	105.18	5.36	115.70	6.16	120.96	6.43	126.22	6.69	96.56	4.55	89.41	4.82	94.66	5.09	105.18	5.36	115.70	6.16	120.96	6.43	126.22	6.69
		5	93.75	4.60	88.52	4.87	93.73	5.14	104.14	5.41	114.56	6.22	119.76	6.49	124.97	6.76	93.75	4.60	88.52	4.87	93.73	5.14	104.14	5.41	114.56	6.22	119.76	6.49	124.97	6.76
14		91.02	4.69	87.64	4.97	92.80	5.24	103.11	5.52	113.42	6.35	118.58	6.62	123.73	6.90	91.02	4.69	87.64	4.97	92.80	5.24	103.11	5.52	113.42	6.35	118.58	6.62	123.73	6.90	
23		88.37	4.79	86.78	5.07	91.88	5.35	102.09	5.63	112.30	6.48	117.40	6.76	122.51	7.04	88.37	4.79	86.78	5.07	91.88	5.35	102.09	5.63	112.30	6.48	117.40	6.76	122.51	7.04	
32		86.64	4.89	85.92	5.17	90.97	5.46	101.08	5.75	111.19	6.61	116.24	6.90	121.29	7.18	86.64	4.89	85.92	5.17	90.97	5.46	101.08	5.75	111.19	6.61	116.24	6.90	121.29	7.18	
41		84.94	4.98	85.07	5.28	90.07	5.57	100.08	5.86	110.09	6.74	115.09	7.04	120.09	7.33	84.94	4.98	85.07	5.28	90.07	5.57	100.08	5.86	110.09	6.74	115.09	7.04	120.09	7.33	
50		83.27	5.09	84.22	5.39	89.18	5.68	99.09	5.98	109.00	6.88	113.95	7.18	118.90	7.48	83.27	5.09	84.22	5.39	89.18	5.68	99.09	5.98	109.00	6.88	113.95	7.18	118.90	7.48	
65		81.64	5.19	83.39	5.50	88.30	5.80	98.11	6.11	107.92	7.02	112.82	7.33	117.73	7.63	81.64	5.19	83.39	5.50	88.30	5.80	98.11	6.11	107.92	7.02	112.82	7.33	117.73	7.63	
75		80.04	5.30	82.56	5.61	87.42	5.92	97.13	6.23	106.85	7.17	111.70	7.48	116.56	7.79	80.04	5.30	82.56	5.61	87.42	5.92	97.13	6.23	106.85	7.17	111.70	7.48	116.56	7.79	
85		78.47	5.40	81.75	5.72	86.56	6.04	96.17	6.36	105.79	7.31	110.60	7.63	115.41	7.95	78.47	5.40	81.75	5.72	86.56	6.04	96.17	6.36	105.79	7.31	110.60	7.63	115.41	7.95	
95		76.93	5.51	80.94	5.84	85.70	6.16	95.22	6.49	104.74	7.46	109.50	7.79	114.26	8.11	76.93	5.51	80.94	5.84	85.70	6.16	95.22	6.49	104.74	7.46	109.50	7.79	114.26	8.11	
105		75.42	5.57	80.14	5.90	84.85	6.23	94.28	6.55	103.71	7.54	108.42	7.86	113.13	8.19	75.42	5.57	80.14	5.90	84.85	6.23	94.28	6.55	103.71	7.54	108.42	7.86	113.13	8.19	
109		71.65	5.86	76.13	6.21	80.61	6.55	89.56	6.90	98.52	7.93	103.00	8.28	107.48	8.62	71.65	5.86	76.13	6.21	80.61	6.55	89.56	6.90	98.52	7.93	103.00	8.28	107.48	8.62	
115		67.88	6.19	72.12	6.55	76.37	6.92	84.85	7.28	93.34	8.37	97.58	8.74	101.82	9.10	67.88	6.19	72.12	6.55	76.37	6.92	84.85	7.28	93.34	8.37	97.58	8.74	101.82	9.10	
122		68.70	6.34	73.00	6.71	77.29	7.09	85.88	7.46	94.47	8.58	98.76	8.95	103.05	9.33	68.70	6.34	73.00	6.71	77.29	7.09	85.88	7.46	94.47	8.58	98.76	8.95	103.05	9.33	
122		52.80	6.96	56.10	7.37	59.40	7.78	65.99	8.19	72.59	9.42	75.89	9.83	79.19	10.24	52.80	6.96	56.10	7.37	59.40	7.78	65.99	8.19	72.59	9.42	75.89	9.83	79.19	10.24	

Combination	Outdoor Ambient Temperature		Indoor Ambient Temperature of WB(oC WB)																													
			57(13.9)				61(16.1)				64(17.8)				67(19.4)				70(21.1)				72(22.2)				75 (23.9)					
	°F DB	°C DB	TC	KBTU	PI	KW	TC	KBTU	PI	KW	TC	KBTU	PI	KW	TC	KBTU	PI	KW	TC	KBTU	PI	KW	TC	KBTU	PI	KW	TC	KBTU	PI	KW		
	-4	-20	84.79	3.85	78.50	4.07	83.12	4.30	92.36	4.53	101.59	5.20	106.21	5.43	110.83	5.66																
	5	-15	82.32	3.89	77.73	4.11	82.30	4.34	91.44	4.57	100.59	5.26	105.16	5.49	109.73	5.71																
	14	-10	79.92	3.96	76.96	4.20	81.48	4.43	90.54	4.66	99.59	5.36	104.12	5.60	108.64	5.83																
	23	-5	77.59	4.05	76.19	4.28	80.68	4.52	89.64	4.76	98.60	5.47	103.09	5.71	107.57	5.95																
	32	0	76.07	4.13	75.44	4.37	79.88	4.61	88.75	4.86	97.63	5.59	102.06	5.83	106.50	6.07																
	41	5	74.58	4.21	74.69	4.46	79.09	4.71	87.87	4.96	96.66	5.70	101.05	5.95	105.45	6.19																
	50	10	73.12	4.30	73.95	4.55	78.30	4.80	87.00	5.06	95.70	5.82	100.05	6.07	104.40	6.32																
	65	18.3	71.68	4.39	73.22	4.64	77.53	4.90	86.14	5.16	94.76	5.93	99.06	6.19	103.37	6.45																
	75	23.8	70.28	4.48	72.50	4.74	76.76	5.00	85.29	5.27	93.82	6.06	98.08	6.32	102.35	6.58																
	77	25	68.90	4.57	71.78	4.84	76.00	5.10	84.44	5.37	92.89	6.18	97.11	6.45	101.33	6.72																
	85	29.4	67.55	4.66	71.07	4.93	75.25	5.21	83.61	5.48	91.97	6.31	96.15	6.58	100.33	6.85																
	95	35	66.22	4.71	70.36	4.98	74.50	5.26	82.78	5.54	91.06	6.37	95.20	6.65	99.34	6.92																
	105	41	62.91	4.96	66.85	5.25	70.78	5.54	78.64	5.83	86.51	6.70	90.44	7.00	94.37	7.29																
	109	42.7	59.60	5.23	63.33	5.54	67.05	5.85	74.50	6.15	81.95	7.08	85.68	7.38	89.40	7.69																
	115	46	60.21	5.09	63.97	5.39	67.74	5.69	75.26	5.99	82.79	6.89	86.55	7.19	90.32	7.49																
	122	50	46.36	5.88	49.25	6.23	52.15	6.58	57.95	6.92	63.74	7.96	66.64	8.31	69.54	8.65																
	-4	-20	73.01	3.14	67.60	3.33	71.58	3.51	79.53	3.70	87.48	4.25	91.46	4.43	95.43	4.62																
	5	-15	70.88	3.17	66.93	3.36	70.87	3.55	78.74	3.73	86.62	4.29	90.55	4.48	94.49	4.67																
	14	-10	68.82	3.24	66.27	3.43	70.17	3.62	77.96	3.81	85.76	4.38	89.66	4.57	93.55	4.76																
	23	-5	66.82	3.30	65.61	3.50	69.47	3.69	77.19	3.89	84.91	4.47	88.77	4.66	92.63	4.86																
	32	0	65.51	3.37	64.96	3.57	68.78	3.77	76.43	3.97	84.07	4.56	87.89	4.76	91.71	4.96																
	41	5	64.22	3.44	64.32	3.64	68.10	3.84	75.67	4.05	83.24	4.65	87.02	4.86	90.80	5.06																
	50	10	62.96	3.51	63.68	3.72	67.43	3.92	74.92	4.13	82.41	4.75	86.16	4.96	89.90	5.16																
	65	18.3	61.73	3.58	63.05	3.79	66.76	4.00	74.18	4.21	81.60	4.85	85.30	5.06	89.01	5.27																
	75	23.8	60.52	3.66	62.43	3.87	66.10	4.09	73.44	4.30	80.79	4.95	84.46	5.16	88.13	5.38																
	77	25	59.33	3.73	61.81	3.95	65.44	4.17	72.72	4.39	79.99	5.05	83.62	5.27	87.26	5.48																
	85	29.4	58.17	3.81	61.20	4.03	64.80	4.25	72.00	4.48	79.20	5.15	82.80	5.37	86.40	5.60																
	95	35	57.03	3.84	60.59	4.07	64.15	4.30	71.28	4.52	78.41	5.20	81.98	5.43	85.54	5.65																
	105	41	54.18	4.05	57.56	4.28	60.95	4.52	67.72	4.76	74.49	5.47	77.88	5.71	81.26	5.95																
	109	42.7	51.32	4.27	54.53	4.52	57.74	4.77	64.15	5.03	70.57	5.78	73.78	6.03	76.99	6.28																
	115	46	53.26	4.38	56.59	4.63	59.92	4.89	66.58	5.15	73.24	5.92	76.57	6.18	79.90	6.44																
	122	50	39.92	4.81	42.41	5.09	44.91	5.37	49.90	5.65	54.89	6.50	57.38	6.78	59.88	7.07																

70%

60%

Combination	Outdoor Ambient Temperature		Indoor Ambient Temperature of F WB(oC WB)																									
			57(13.9)			61(16.1)			64(17.8)			67(19.4)			70(21.1)			72(22.2)			75 (23.9)							
	°F DB	°C DB	TC	KBTU	PI	KW	TC	KBTU	PI	KW	TC	KBTU	PI	KW	TC	KBTU	PI	KW	TC	KBTU	PI	KW	TC	KBTU	PI	KW		
	-4	-20	58.88	2.56	2.72	54.52	2.72	2.87	64.14	3.02	70.55	3.47	73.76	3.62	76.96	3.77												
	5	-15	57.17	2.59	2.74	53.98	2.74	2.90	63.50	3.05	69.85	3.50	73.03	3.66	76.20	3.81												
	14	-10	55.50	2.64	2.80	53.44	2.80	2.95	62.87	3.11	69.16	3.58	72.30	3.73	75.45	3.89												
	23	-5	53.88	2.70	2.86	52.91	2.86	3.01	62.25	3.17	68.47	3.65	71.59	3.81	74.70	3.97												
	32	0	52.83	2.75	2.91	52.39	2.91	3.08	61.63	3.24	67.80	3.72	70.88	3.89	73.96	4.05												
	41	5	51.79	2.81	2.97	51.87	2.97	3.14	61.02	3.30	67.13	3.80	70.18	3.96	73.23	4.13												
	50	10	50.78	2.87	3.03	51.36	3.03	3.20	60.42	3.37	66.46	3.88	69.48	4.05	72.50	4.21												
	65	18.3	49.78	2.92	3.10	50.85	3.10	3.27	59.82	3.44	65.80	3.96	68.79	4.13	71.78	4.30												
	75	23.8	48.80	2.98	3.16	50.34	3.16	3.33	59.23	3.51	65.15	4.04	68.11	4.21	71.07	4.39												
	77	25	47.85	3.04	3.22	49.85	3.22	3.40	58.64	3.58	64.51	4.12	67.44	4.30	70.37	4.48												
	85	29.4	46.91	3.11	3.29	49.35	3.29	3.47	58.06	3.66	63.87	4.20	66.77	4.39	69.67	4.57												
	95	35	45.99	3.14	3.32	48.86	3.32	3.51	57.49	3.69	63.24	4.25	66.11	4.43	68.98	4.62												
	105	41	43.69	3.30	3.50	46.42	3.50	3.69	54.61	3.89	60.07	4.47	62.80	4.66	65.53	4.86												
	109	42.7	41.39	3.49	3.69	43.98	3.69	3.90	51.74	4.10	56.91	4.72	59.50	4.92	62.09	5.13												
	115	46	40.74	3.39	3.59	43.29	3.59	3.79	50.93	3.99	56.02	4.59	58.57	4.79	61.11	4.99												
	122	50	32.19	3.92	4.15	34.20	4.15	4.38	40.24	4.62	44.26	5.31	46.28	5.54	48.29	5.77												

50%

MVHQ144ME2CA
230v cooling capacity

Combination	Outdoor Ambient Temperature °F DB °C DB	Indoor Ambient Temperature of WB(oC WB)																					
		57(13.9)			61(16.1)			64(17.8)			67(19.4)			70(21.1)			72(22.2)			75 (23.9)			
		TC	KBTU	PI	TC	KBTU	PI	TC	KBTU	PI	TC	KBTU	PI	TC	KBTU	PI	TC	KBTU	PI	TC	KBTU	PI	
130%	-4	151.20	8.26	160.65	8.75	170.10	9.23	189.01	9.72	207.91	11.18	217.36	11.66	226.81	12.15	236.26	12.63	245.71	13.10	255.16	13.55	264.61	14.00
	5	146.80	8.34	155.98	8.84	165.15	9.33	183.50	9.82	201.85	11.29	211.03	11.78	220.20	12.27	229.37	12.75	238.54	13.22	247.71	13.69	256.88	14.15
	14	142.52	8.51	151.43	9.02	160.34	9.52	178.16	10.02	195.97	11.52	204.88	12.02	213.79	12.52	222.70	13.00	231.61	13.48	240.52	13.95	249.43	14.40
	23	138.37	8.69	147.02	9.20	155.67	9.71	172.97	10.22	190.26	11.75	198.91	12.27	207.56	12.78	216.11	13.22	224.66	13.69	233.11	14.15	241.56	14.60
	32	135.66	8.87	144.14	9.39	152.62	9.91	169.58	10.43	186.53	11.99	195.01	12.52	203.49	13.04	211.94	13.48	220.39	13.95	228.84	14.40	237.29	14.85
	41	133.00	9.05	141.31	9.58	149.63	10.11	166.25	10.64	182.88	12.24	191.19	12.77	199.50	13.30	207.91	13.75	216.11	14.15	224.26	14.60	232.41	15.00
	50	130.39	9.23	138.54	9.77	146.69	10.32	162.99	10.86	179.29	12.49	187.44	13.03	195.59	13.58	203.64	13.95	211.74	14.40	219.79	14.85	227.84	15.30
	65	127.84	9.42	135.83	9.97	143.82	10.53	159.79	11.08	175.77	12.74	183.76	13.30	191.75	13.85	200.01	14.15	207.91	14.60	215.76	15.00	223.61	15.85
	75	125.33	9.61	133.16	10.18	141.00	10.74	156.66	11.31	172.33	13.00	180.16	13.57	187.99	14.14	195.52	14.40	203.41	14.85	211.26	15.30	218.81	16.00
	77	122.87	9.81	130.55	10.38	138.23	10.96	153.59	11.54	168.95	13.27	176.63	13.85	184.31	14.42	192.01	14.60	199.91	15.00	207.81	15.30	215.76	16.00
	85	120.46	10.01	127.99	10.60	135.52	11.19	150.58	11.77	165.64	13.54	173.16	14.13	180.69	14.72	188.24	14.85	195.79	15.30	203.34	16.00	210.89	16.50
	95	118.10	10.11	125.48	10.70	132.86	11.30	147.63	11.89	162.39	13.68	169.77	14.27	177.15	14.87	184.71	14.85	191.76	15.30	200.01	16.00	207.06	16.50
	105	112.20	10.64	119.21	11.27	126.22	11.89	140.24	12.52	154.27	14.40	161.28	15.02	168.29	15.65	175.23	14.85	182.24	15.30	190.01	16.00	197.76	16.50
	109	106.29	11.23	112.93	11.89	119.58	12.55	132.86	13.21	146.15	15.20	152.79	15.86	159.44	16.52	166.39	14.85	172.34	15.30	180.01	16.00	187.76	16.50
115	101.16	11.51	107.48	12.19	113.80	12.86	126.44	13.54	139.09	15.57	145.41	16.25	151.73	16.93	158.54	14.85	164.09	15.30	172.76	16.00	180.21	16.50	
122	82.67	12.64	87.84	13.38	93.00	14.12	103.34	14.87	113.67	17.10	118.84	17.84	124.01	18.58	129.18	14.85	134.56	15.30	140.01	16.00	147.76	16.50	
120%	-4	148.38	8.18	157.65	8.66	166.93	9.14	185.47	9.62	204.02	11.07	213.29	11.55	222.57	12.03	231.84	12.50	241.11	12.97	250.38	13.44	259.65	13.90
	5	144.06	8.26	153.06	8.75	162.06	9.23	180.07	9.72	198.08	11.18	207.08	11.66	216.08	12.15	225.08	12.62	234.08	13.07	243.08	13.54	252.08	14.00
	14	139.86	8.43	148.60	8.93	157.34	9.42	174.83	9.92	192.31	11.41	201.05	11.90	209.79	12.40	218.53	12.88	227.27	13.36	236.01	13.84	244.75	14.30
	23	135.79	8.60	144.27	9.11	152.76	9.62	169.73	10.12	186.71	11.64	195.19	12.15	203.68	12.65	212.15	13.12	220.61	13.60	229.09	14.07	237.56	14.50
	32	133.12	8.78	141.44	9.30	149.76	9.81	166.41	10.33	183.05	11.88	191.37	12.39	199.69	12.91	208.01	13.36	216.33	13.84	224.65	14.30	232.97	14.80
	41	130.51	8.96	138.67	9.48	146.83	10.01	163.14	10.54	179.46	12.12	187.61	12.65	195.77	13.17	204.01	13.62	212.26	14.10	220.51	14.57	228.76	15.00
	50	127.96	9.14	135.95	9.68	143.95	10.22	159.94	10.75	175.94	12.37	183.94	12.90	191.93	13.44	200.18	13.84	208.43	14.30	216.68	14.72	224.93	15.30
	65	125.45	9.33	133.29	9.88	141.13	10.42	156.81	10.97	172.49	12.62	180.33	13.17	188.17	13.72	196.41	14.10	204.66	14.57	212.91	15.00	221.16	15.80
	75	122.99	9.52	130.67	10.08	138.36	10.64	153.73	11.20	169.11	12.88	176.79	13.44	184.48	14.00	192.76	14.57	200.01	14.85	207.26	14.80	214.76	15.30
	77	120.57	9.71	128.11	10.28	135.65	10.85	150.72	11.43	165.79	13.14	173.33	13.71	180.86	14.28	188.81	14.64	196.76	15.00	204.71	15.30	212.66	15.80
	85	118.21	9.91	125.60	10.49	132.99	11.08	147.76	11.66	162.54	13.41	169.93	13.99	177.32	14.57	185.27	14.85	193.01	15.30	200.76	15.80	208.51	16.30
	95	115.89	10.01	123.14	10.60	130.38	11.19	144.87	11.78	159.35	13.54	166.60	14.13	173.84	14.72	181.79	15.00	189.74	15.30	197.69	16.00	205.64	16.50
	105	110.10	10.54	116.98	11.16	123.86	11.78	137.62	12.40	151.39	14.26	158.27	14.88	165.15	15.50	173.01	15.30	180.96	16.00	188.91	16.50	196.86	17.00
	109	104.30	11.12	110.82	11.78	117.34	12.43	130.38	13.09	143.42	15.05	149.94	15.70	156.46	16.36	162.71	15.80	170.16	16.50	178.11	17.00	186.06	17.50
115	97.26	11.40	103.34	12.07	109.42	12.74	121.58	13.41	133.74	15.42	139.82	16.09	145.90	16.76	152.01	16.30	160.01	16.50	168.06	17.00	176.01	17.50	
122	81.12	12.51	86.20	13.25	91.27	13.98	101.41	14.72	111.55	16.93	116.62	17.66	121.69	18.40	126.76	17.00	132.81	17.50	138.96	18.00	145.11	18.50	

Combination	Outdoor Ambient Temperature °F DB °C DB	Indoor Ambient Temperature of WB(oC WB)																																																																																																																																																																																																																																																																																																																																																																																																																																																																																																	
		57(13.9)				61(16.1)				64(17.8)				67(19.4)				70(21.1)				72(22.2)				75 (23.9)																																																																																																																																																																																																																																																																																																																																																																																																																																																																									
		TC	PI	KBTU	kW	TC	PI	KBTU	kW	TC	PI	KBTU	kW	TC	PI	KBTU	kW	TC	PI	KBTU	kW	TC	PI	KBTU	kW	TC	PI	KBTU	kW																																																																																																																																																																																																																																																																																																																																																																																																																																																																						
110%	-4	-20	145.55	8.18	154.65	8.66	163.75	9.14	181.94	9.62	200.13	11.07	209.23	11.55	218.33	12.03	141.31	8.26	150.14	8.75	158.98	9.23	176.64	9.72	194.30	11.18	203.14	11.66	211.97	12.15	137.20	8.43	145.77	8.93	154.35	9.42	171.50	9.92	188.65	11.41	197.22	11.90	205.79	12.40	133.20	8.60	141.53	9.11	149.85	9.62	166.50	10.12	183.15	11.64	191.48	12.15	199.80	12.65	130.59	8.78	138.75	9.30	146.91	9.81	163.24	10.33	179.56	11.88	187.72	12.39	195.88	12.91	128.03	8.96	136.03	9.48	144.03	10.01	160.04	10.54	176.04	12.12	184.04	12.65	192.04	13.17	125.52	9.14	133.36	9.68	141.21	10.22	156.90	10.75	172.59	12.37	180.43	12.90	188.28	13.44	123.06	9.33	130.75	9.88	138.44	10.42	153.82	10.97	169.20	12.62	176.89	13.17	184.59	13.72	120.64	9.52	128.18	10.08	135.72	10.64	150.80	11.20	165.89	12.88	173.43	13.44	180.97	14.00	118.28	9.71	125.67	10.28	133.06	10.85	147.85	11.43	162.63	13.14	170.02	13.71	177.42	14.28	115.96	9.91	123.21	10.49	130.45	11.08	144.95	11.66	159.44	13.41	166.69	13.99	173.94	14.57	113.69	10.01	120.79	10.60	127.90	11.19	142.11	11.78	156.32	13.54	163.42	14.13	170.53	14.72	108.00	10.54	114.75	11.16	121.50	11.78	135.00	12.40	148.50	14.26	155.25	14.88	162.00	15.50	102.32	11.12	108.71	11.78	115.11	12.43	127.90	13.09	140.69	15.05	147.08	15.70	153.48	16.36	95.41	11.40	101.38	12.07	107.34	12.74	119.27	13.41	131.19	15.42	137.16	16.09	143.12	16.76	79.58	12.51	84.55	13.25	89.53	13.98	99.47	14.72	109.42	16.93	114.40	17.66	119.37	18.40	-4	-20	144.09	8.10	153.09	8.58	162.10	9.05	180.11	9.53	198.12	10.96	207.13	11.43	216.13	11.91	5	-15	139.89	8.18	148.63	8.66	157.38	9.14	174.86	9.62	192.35	11.07	201.09	11.55	209.84	12.03	14	-10	135.82	8.35	144.30	8.84	152.79	9.33	169.77	9.82	186.75	11.29	195.24	11.78	203.72	12.28	23	-5	131.86	8.52	140.10	9.02	148.34	9.52	164.83	10.02	181.31	11.52	189.55	12.03	197.79	12.53	32	0	129.27	8.69	137.35	9.20	145.43	9.71	161.59	10.23	177.75	11.76	185.83	12.27	193.91	12.78	41	5	126.74	8.87	134.66	9.39	142.58	9.91	158.42	10.43	174.27	12.00	182.19	12.52	190.11	13.04	50	10	124.25	9.05	132.02	9.58	139.79	10.11	155.32	10.65	170.85	12.24	178.62	12.78	186.38	13.31	65	18.3	121.82	9.23	129.43	9.78	137.05	10.32	152.27	10.86	167.50	12.49	175.11	13.04	182.73	13.58	75	23.9	119.43	9.42	126.89	9.98	134.36	10.53	149.29	11.09	164.22	12.75	171.68	13.30	179.14	13.86	77	25	117.09	9.62	124.41	10.18	131.72	10.75	146.36	11.31	161.00	13.01	168.31	13.58	175.63	14.14	85	29.4	114.79	9.81	121.97	10.39	129.14	10.97	143.49	11.54	157.84	13.27	165.01	13.85	172.19	14.43	95	35	112.54	9.91	119.58	10.49	126.61	11.08	140.68	11.66	154.74	13.41	161.78	13.99	168.81	14.58	105	40.6	106.91	10.43	113.60	11.05	120.28	11.66	133.64	12.27	147.01	14.11	153.69	14.73	160.37	15.34	109	42.8	101.29	11.01	107.62	11.66	113.95	12.31	126.61	12.96	139.27	14.90	145.60	15.55	151.93	16.19	115	46.1	92.63	11.28	98.42	11.95	104.21	12.61	115.79	13.27	127.37	15.27	133.16	15.93	138.95	16.59	122	50	78.78	12.39	83.70	13.12	88.63	13.85	98.47	14.58	108.32	16.76	113.24	17.49	118.17	18.22	
	100%	-4	-20	144.09	8.10	153.09	8.58	162.10	9.05	180.11	9.53	198.12	10.96	207.13	11.43	216.13	11.91	141.31	8.26	150.14	8.75	158.98	9.23	176.64	9.72	194.30	11.18	203.14	11.66	211.97	12.15	137.20	8.43	145.77	8.93	154.35	9.42	171.50	9.92	188.65	11.41	197.22	11.90	205.79	12.40	133.20	8.60	141.53	9.11	149.85	9.62	166.50	10.12	183.15	11.64	191.48	12.15	199.80	12.65	130.59	8.78	138.75	9.30	146.91	9.81	163.24	10.33	179.56	11.88	187.72	12.39	195.88	12.91	128.03	8.96	136.03	9.48	144.03	10.01	160.04	10.54	176.04	12.12	184.04	12.65	192.04	13.17	125.52	9.14	133.36	9.68	141.21	10.22	156.90	10.75	172.59	12.37	180.43	12.90	188.28	13.44	123.06	9.33	130.75	9.88	138.44	10.42	153.82	10.97	169.20	12.62	176.89	13.17	184.59	13.72	120.64	9.52	128.18	10.08	135.72	10.64	150.80	11.20	165.89	12.88	173.43	13.44	180.97	14.00	118.28	9.71	125.67	10.28	133.06	10.85	147.85	11.43	162.63	13.14	170.02	13.71	177.42	14.28	115.96	9.91	123.21	10.49	130.45	11.08	144.95	11.66	159.44	13.41	166.69	13.99	173.94	14.57	113.69	10.01	120.79	10.60	127.90	11.19	142.11	11.78	156.32	13.54	163.42	14.13	170.53	14.72	108.00	10.54	114.75	11.16	121.50	11.78	135.00	12.40	148.50	14.26	155.25	14.88	162.00	15.50	102.32	11.12	108.71	11.78	115.11	12.43	127.90	13.09	140.69	15.05	147.08	15.70	153.48	16.36	95.41	11.40	101.38	12.07	107.34	12.74	119.27	13.41	131.19	15.42	137.16	16.09	143.12	16.76	79.58	12.51	84.55	13.25	89.53	13.98	99.47	14.72	109.42	16.93	114.40	17.66	119.37	18.40	-4	-20	144.09	8.10	153.09	8.58	162.10	9.05	180.11	9.53	198.12	10.96	207.13	11.43	216.13	11.91	5	-15	139.89	8.18	148.63	8.66	157.38	9.14	174.86	9.62	192.35	11.07	201.09	11.55	209.84	12.03	14	-10	135.82	8.35	144.30	8.84	152.79	9.33	169.77	9.82	186.75	11.29	195.24	11.78	203.72	12.28	23	-5	131.86	8.52	140.10	9.02	148.34	9.52	164.83	10.02	181.31	11.52	189.55	12.03	197.79	12.53	32	0	129.27	8.69	137.35	9.20	145.43	9.71	161.59	10.23	177.75	11.76	185.83	12.27	193.91	12.78	41	5	126.74	8.87	134.66	9.39	142.58	9.91	158.42	10.43	174.27	12.00	182.19	12.52	190.11	13.04	50	10	124.25	9.05	132.02	9.58	139.79	10.11	155.32	10.65	170.85	12.24	178.62	12.78	186.38	13.31	65	18.3	121.82	9.23	129.43	9.78	137.05	10.32	152.27	10.86	167.50	12.49	175.11	13.04	182.73	13.58	75	23.9	119.43	9.42	126.89	9.98	134.36	10.53	149.29	11.09	164.22	12.75	171.68	13.30	179.14	13.86	77	25	117.09	9.62	124.41	10.18	131.72	10.75	146.36	11.31	161.00	13.01	168.31	13.58	175.63	14.14	85	29.4	114.79	9.81	121.97	10.39	129.14	10.97	143.49	11.54	157.84	13.27	165.01	13.85	172.19	14.43	95	35	112.54	9.91	119.58	10.49	126.61	11.08	140.68	11.66	154.74	13.41	161.78	13.99	168.81	14.58	105	40.6	106.91	10.43	113.60	11.05	120.28	11.66	133.64	12.27	147.01	14.11	153.69	14.73	160.37	15.34	109	42.8	101.29	11.01	107.62	11.66	113.95	12.31	126.61	12.96	139.27	14.90	145.60	15.55	151.93	16.19	115	46.1	92.63	11.28	98.42	11.95	104.21	12.61	115.79	13.27	127.37	15.27	133.16	15.93	138.95	16.59	122	50	78.78	12.39	83.70	13.12	88.63	13.85	98.47	14.58	108.32	16.76	113.24	17.49	118.17	18.22

Combination	Outdoor Ambient Temperature °F DB / °C DB	Indoor Ambient Temperature of F WB(oC WB)																																																																																																																																																																																																																																																																																																																																																																																																																																																																					
		57(13.9)				61(16.1)				64(17.8)				67(19.4)				70(21.1)				72(22.2)				75 (23.9)																																																																																																																																																																																																																																																																																																																																																																																																																																													
		TC	KBTU	kW	PI	TC	KBTU	kW	PI	TC	KBTU	kW	PI	TC	KBTU	kW	PI	TC	KBTU	kW	PI	TC	KBTU	kW	PI	TC	KBTU	kW	PI																																																																																																																																																																																																																																																																																																																																																																																																																																										
	-4	127.18	6.72	135.13	7.12	143.08	7.51	158.98	7.91	174.87	9.09	182.82	9.49	190.77	9.89	123.48	6.79	131.19	7.19	138.91	7.59	154.35	7.99	169.78	9.19	177.50	9.59	185.22	9.99	119.88	6.93	127.37	7.34	134.87	7.74	149.85	8.15	164.84	9.37	172.33	9.78	179.82	10.19	116.39	7.07	123.66	7.49	130.94	7.90	145.49	8.32	160.03	9.57	167.31	9.98	174.58	10.40	114.11	7.21	121.24	7.64	128.37	8.06	142.63	8.49	156.90	9.76	164.03	10.18	171.16	10.61	111.87	7.36	118.86	7.79	125.85	8.23	139.84	8.66	153.82	9.96	160.81	10.39	167.80	10.83	109.68	7.51	116.53	7.95	123.39	8.40	137.09	8.84	150.80	10.16	157.66	10.60	164.51	11.05	107.53	7.66	114.25	8.12	120.97	8.57	134.41	9.02	147.85	10.37	154.57	10.82	161.29	11.27	105.42	7.82	112.01	8.28	118.59	8.74	131.77	9.20	144.95	10.58	151.54	11.04	158.13	11.50	103.35	7.98	109.81	8.45	116.27	8.92	129.19	9.39	142.11	10.80	148.57	11.27	155.02	11.74	101.32	8.14	107.66	8.62	113.99	9.10	126.65	9.58	139.32	11.02	145.65	11.50	151.99	11.98	99.34	8.23	105.55	8.71	111.75	9.19	124.17	9.68	136.59	11.13	142.80	11.61	149.01	12.10	94.37	8.66	100.27	9.17	106.17	9.68	117.96	10.19	129.76	11.72	135.66	12.22	141.55	12.73	89.40	9.14	94.99	9.68	100.58	10.22	111.75	10.75	122.93	12.37	128.52	12.90	134.10	13.44	86.15	9.03	91.53	9.56	96.92	10.09	107.69	10.62	118.45	12.21	123.84	12.74	129.22	13.27	69.54	10.28	73.88	10.89	78.23	11.49	86.92	12.10	95.61	13.91	99.96	14.52	104.30	15.12	-4	115.88	5.75	123.12	6.09	130.36	6.43	144.85	6.76	159.33	7.78	166.57	8.12	173.81	8.46	112.50	5.81	119.53	6.15	126.56	6.49	140.63	6.83	154.69	7.86	161.72	8.20	168.75	8.54	109.22	5.93	116.05	6.28	122.88	6.62	136.53	6.97	150.18	8.02	157.01	8.37	163.84	8.72	106.04	6.05	112.67	6.40	119.30	6.76	132.55	7.11	145.81	8.18	152.44	8.54	159.06	8.89	103.96	6.17	110.46	6.53	116.96	6.90	129.95	7.26	142.95	8.35	149.45	8.71	155.95	9.08	5	101.93	6.30	108.30	6.67	114.67	7.04	127.41	7.41	140.15	8.52	146.52	8.89	152.89	9.26	99.93	6.43	106.17	6.80	112.42	7.18	124.91	7.56	137.40	8.69	143.64	9.07	149.89	9.45	97.97	6.56	104.09	6.94	110.21	7.33	122.46	7.71	134.71	8.87	140.83	9.26	146.95	9.64	75	96.05	6.69	102.05	7.08	108.05	7.48	120.06	7.87	132.06	9.05	138.07	9.45	144.07	9.84	94.16	6.83	100.05	7.23	105.93	7.63	117.70	8.03	129.47	9.24	135.36	9.64	141.24	10.04	92.32	6.97	98.09	7.38	103.86	7.79	115.40	8.20	126.94	9.43	132.71	9.83	138.48	10.24	35	90.51	7.04	96.16	7.45	101.82	7.86	113.13	8.28	124.45	9.52	130.10	9.93	135.76	10.35	85.98	7.41	91.36	7.84	96.73	8.28	107.48	8.71	118.22	10.02	123.60	10.46	128.97	10.89	81.46	7.82	86.55	8.28	91.64	8.74	101.82	9.20	112.00	10.58	117.09	11.04	122.18	11.50	46	82.44	8.01	87.60	8.48	92.75	8.95	103.05	9.43	113.36	10.84	118.51	11.31	123.67	11.78	50	63.35	8.80	67.31	9.31	71.27	9.83	79.19	10.35	87.11	11.90	91.07	12.42	95.03	12.94

Combination	Outdoor Ambient Temperature		Indoor Ambient Temperature of WB(oC WB)																																																																																																																																																																																																																																																															
			57(13.9)				61(16.1)				64(17.8)				67(19.4)				70(21.1)				72(22.2)				75 (23.9)																																																																																																																																																																																																																																							
			TC	PI	KBTU	kW	TC	PI	KBTU	kW	TC	PI	KBTU	kW	TC	PI	KBTU	kW	TC	PI	KBTU	kW	TC	PI	KBTU	kW	TC	PI	KBTU	kW																																																																																																																																																																																																																																				
	°F DB	°C DB	-4	-20	101.74	4.86	108.10	5.15	114.46	5.43	127.18	5.72	139.90	6.57	146.26	6.86	152.62	7.15	5	-15	98.78	4.91	104.96	5.20	111.13	5.49	123.48	5.77	135.82	6.64	142.00	6.93	148.17	7.22	14	-10	95.90	5.01	101.90	5.30	107.89	5.60	119.88	5.89	131.87	6.78	137.86	7.07	143.86	7.37	23	-5	93.11	5.11	98.93	5.41	104.75	5.71	116.39	6.01	128.03	6.91	133.85	7.22	139.67	7.52	32	0	91.29	5.22	96.99	5.52	102.70	5.83	114.11	6.14	125.52	7.06	131.22	7.36	136.93	7.67	41	5	89.50	5.32	95.09	5.63	100.68	5.95	111.87	6.26	123.06	7.20	128.65	7.51	134.24	7.83	50	10	87.74	5.43	93.22	5.75	98.71	6.07	109.68	6.39	120.64	7.35	126.13	7.67	131.61	7.99	65	18.3	86.02	5.54	91.40	5.87	96.77	6.19	107.53	6.52	118.28	7.50	123.65	7.82	129.03	8.15	75	23.8	84.33	5.65	89.60	5.99	94.88	6.32	105.42	6.65	115.96	7.65	121.23	7.98	126.50	8.31	77	25	82.68	5.77	87.85	6.11	93.01	6.45	103.35	6.79	113.68	7.81	118.85	8.15	124.02	8.48	85	29.4	81.06	5.89	86.12	6.23	91.19	6.58	101.32	6.93	111.46	7.96	116.52	8.31	121.59	8.66	95	35	79.47	5.95	84.44	6.30	89.40	6.65	99.34	7.00	109.27	8.05	114.24	8.40	119.20	8.75	105	41	75.50	6.26	80.21	6.63	84.93	7.00	94.37	7.36	103.81	8.47	108.53	8.84	113.24	9.21	109	42.7	71.52	6.61	75.99	7.00	80.46	7.38	89.40	7.77	98.34	8.94	102.81	9.33	107.28	9.72	115	46	72.25	6.43	76.77	6.81	81.29	7.19	90.32	7.57	99.35	8.70	103.87	9.08	108.38	9.46	122	50	55.63	7.43	59.11	7.87	62.58	8.31	69.54	8.75	76.49	10.06	79.97	10.49	83.44	10.93
			-4	-20	87.61	3.97	93.09	4.20	98.57	4.44	109.52	4.67	120.47	5.37	125.94	5.60	131.42	5.84	5	-15	85.06	4.01	90.38	4.24	95.69	4.48	106.33	4.72	116.96	5.42	122.28	5.66	127.59	5.89	14	-10	82.58	4.09	87.75	4.33	92.91	4.57	103.23	4.81	113.55	5.53	118.71	5.77	123.88	6.02	23	-5	80.18	4.17	85.19	4.42	90.20	4.66	100.22	4.91	110.25	5.65	115.26	5.89	120.27	6.14	32	0	78.61	4.26	83.52	4.51	88.43	4.76	98.26	5.01	108.08	5.76	113.00	6.01	117.91	6.26	41	5	77.07	4.35	81.88	4.60	86.70	4.86	96.33	5.11	105.97	5.88	110.78	6.14	115.60	6.39	50	10	75.55	4.43	80.28	4.70	85.00	4.96	94.44	5.22	103.89	6.00	108.61	6.26	113.33	6.52	65	18.3	74.07	4.53	78.70	4.79	83.33	5.06	92.59	5.32	101.85	6.12	106.48	6.39	111.11	6.65	75	23.8	72.62	4.62	77.16	4.89	81.70	5.16	90.78	5.43	99.85	6.25	104.39	6.52	108.93	6.79	77	25	71.20	4.71	75.65	4.99	80.10	5.27	89.00	5.54	97.90	6.37	102.35	6.65	106.79	6.93	85	29.4	69.80	4.81	74.16	5.09	78.53	5.37	87.25	5.66	95.98	6.50	100.34	6.79	104.70	7.07	95	35	68.43	4.86	72.71	5.14	76.99	5.43	85.54	5.71	94.09	6.57	98.37	6.86	102.65	7.14	105	41	65.01	5.11	69.07	5.41	73.14	5.71	81.26	6.01	89.39	6.92	93.45	7.22	97.52	7.52	109	42.7	61.59	5.40	65.44	5.71	69.29	6.03	76.99	6.35	84.68	7.30	88.53	7.62	92.38	7.94	115	46	63.92	5.53	67.91	5.85	71.91	6.18	79.90	6.50	87.89	7.48	91.88	7.81	95.88	8.13	122	50	47.90	6.07	50.90	6.43	53.89	6.78	59.88	7.14	65.87	8.21	68.86	8.57	71.85	8.93

Combination	Outdoor Ambient Temperature		Indoor Ambient Temperature of F WB(oC WB)																									
			57(13.9)				61(16.1)				64(17.8)				67(19.4)				70(21.1)				72(22.2)				75 (23.9)	
	°F DB	°C DB	TC	KBTU	PI	KW	TC	KBTU	PI	KW	TC	KBTU	PI	KW	TC	KBTU	PI	KW	TC	KBTU	PI	KW	TC	KBTU	PI	KW		
50%	-4	-20	70.66	3.24	3.43	75.07	3.43	3.62	79.49	3.62	88.32	3.81	97.15	4.38	101.57	4.57	105.98	4.76										
	5	-15	68.60	3.27	3.46	72.89	3.46	3.66	77.17	3.66	85.75	3.85	94.32	4.43	98.61	4.62	102.90	4.81										
	14	-10	66.60	3.34	3.54	70.76	3.54	3.73	74.93	3.73	83.25	3.93	91.58	4.52	95.74	4.71	99.90	4.91										
	23	-5	64.66	3.41	3.61	68.70	3.61	3.81	72.74	3.81	80.83	4.01	88.91	4.61	92.95	4.81	96.99	5.01										
	32	0	63.39	3.48	3.68	67.35	3.68	3.89	71.32	3.89	79.24	4.09	87.16	4.70	91.13	4.91	95.09	5.11										
	41	5	62.15	3.55	3.76	66.03	3.76	3.97	69.92	3.97	77.69	4.17	85.46	4.80	89.34	5.01	93.22	5.22										
	50	10	60.93	3.62	3.83	64.74	3.83	4.05	68.55	4.05	76.16	4.26	83.78	4.90	87.59	5.11	91.40	5.32										
	65	18.3	59.74	3.69	3.91	63.47	3.91	4.13	67.20	4.13	74.67	4.35	82.14	5.00	85.87	5.21	89.60	5.43										
	75	23.8	58.56	3.77	3.99	62.23	3.99	4.21	65.89	4.21	73.21	4.43	80.53	5.10	84.19	5.32	87.85	5.54										
	77	25	57.42	3.85	4.07	61.01	4.07	4.30	64.59	4.30	71.77	4.53	78.95	5.20	82.54	5.43	86.12	5.66										
	85	29.4	56.29	3.92	4.16	59.81	4.16	4.39	63.33	4.39	70.36	4.62	77.40	5.31	80.92	5.54	84.44	5.77										
	95	35	55.19	3.96	4.20	58.64	4.20	4.43	62.09	4.43	68.98	4.66	75.88	5.36	79.33	5.60	82.78	5.83										
105	41	52.43	4.17	4.42	55.70	4.42	4.66	58.98	4.66	65.53	4.91	72.09	5.65	75.36	5.89	78.64	6.14											
109	42.7	49.67	4.40	4.66	52.77	4.66	4.92	55.88	4.92	62.09	5.18	68.29	5.96	71.40	6.22	74.50	6.48											
115	46	48.89	4.29	4.54	51.95	4.54	4.79	55.00	4.79	61.11	5.04	67.22	5.80	70.28	6.05	73.33	6.31											
122	50	38.63	4.96	5.25	41.05	5.25	5.54	43.46	5.54	48.29	5.83	53.12	6.70	55.53	7.00	57.95	7.29											

Combination	Outdoor Ambient Temperature °F DB °C DB	Indoor Ambient Temperature of WB(oC WB)																											
		57(13.9)			61(16.1)			64(17.8)			67(19.4)			70(21.1)			72(22.2)			75 (23.9)									
		TC	PI	KW	TC	PI	KW	TC	PI	KW	TC	PI	KW	TC	PI	KW	TC	PI	KW	TC	PI	KW							
130%	-4	175.39	9.56	186.35	10.13	197.31	10.69	219.23	11.25	241.16	12.94	252.12	13.50	263.08	14.07	170.28	9.66	180.92	10.23	191.56	10.80	212.85	11.37	234.13	13.07	244.78	13.64	255.42	14.21
	5	165.32	9.86	175.65	10.44	185.98	11.02	206.65	11.60	227.31	13.34	237.65	13.92	247.98	14.50	160.50	10.06	170.54	10.65	180.57	11.24	200.63	11.83	220.69	13.61	230.72	14.20	240.76	14.79
	14	157.36	10.26	167.19	10.87	177.03	11.47	196.70	12.08	216.37	13.89	226.20	14.49	236.04	15.10	154.27	10.47	163.91	11.09	173.56	11.71	192.84	12.32	212.12	14.17	221.77	14.79	231.41	15.40
	23	151.25	10.69	160.70	11.32	170.15	11.95	189.06	12.57	207.96	14.46	217.42	15.09	226.87	15.72	148.28	10.91	157.55	11.55	166.82	12.19	185.35	12.83	203.89	14.76	213.15	15.40	222.42	16.04
	32	145.37	11.13	154.46	11.78	163.55	12.44	181.72	13.09	199.89	15.06	208.97	15.71	218.06	16.37	142.52	11.36	151.43	12.02	160.34	12.69	178.15	13.36	195.97	15.36	204.88	16.03	213.78	16.70
	41	139.73	11.59	148.46	12.27	157.19	12.95	174.66	13.63	192.13	15.68	200.86	16.36	209.59	17.04	136.99	11.70	145.55	12.39	154.11	13.08	171.24	13.77	188.36	15.84	196.92	16.52	205.48	17.21
	50	130.14	12.32	138.27	13.05	146.41	13.77	162.67	14.49	178.94	16.67	187.08	17.39	195.21	18.12	123.29	13.01	131.00	13.77	138.70	14.54	154.11	15.30	169.52	17.60	177.23	18.36	184.93	19.13
	65	117.33	13.33	124.67	14.11	132.00	14.89	146.67	15.68	161.33	18.03	168.67	18.81	176.00	19.60	95.89	14.63	101.89	15.49	107.88	16.35	119.87	17.21	131.85	19.79	137.84	20.66	143.84	21.52
	75	172.11	9.47	182.87	10.03	193.62	10.58	215.14	11.14	236.65	12.81	247.41	13.37	258.16	13.93	172.11	9.47	182.87	10.03	193.62	10.58	215.14	11.14	236.65	12.81	247.41	13.37	258.16	13.93
	85	167.10	9.57	177.54	10.13	187.98	10.69	208.87	11.25	229.76	12.94	240.20	13.51	250.64	14.07	162.23	9.76	172.37	10.34	182.51	10.91	202.79	11.48	223.06	13.21	233.20	13.78	243.34	14.36
	109	157.50	9.96	167.35	10.55	177.19	11.13	196.88	11.72	216.57	13.48	226.41	14.06	236.26	14.65	154.42	10.16	164.07	10.76	173.72	11.36	193.02	11.96	212.32	13.75	221.97	14.35	231.62	14.95
	122	151.39	10.37	160.85	10.98	170.31	11.59	189.23	12.20	208.16	14.03	217.62	14.64	227.08	15.25	5	10.58	157.70	11.21	166.97	11.83	185.52	12.45	204.08	14.32	213.35	14.94	222.63	15.56
120%	-4	148.42	10.80	154.60	11.43	163.70	12.07	181.89	12.70	200.08	14.61	209.17	15.25	218.26	15.88	145.51	10.80	151.57	11.67	160.49	12.32	178.32	12.96	196.15	14.91	205.07	15.56	213.98	16.21
	5	139.86	11.24	148.60	11.91	157.34	12.57	174.82	13.23	192.31	15.21	201.05	15.87	209.79	16.54	142.66	11.02	148.60	11.91	157.34	12.57	174.82	13.23	192.31	15.21	201.05	15.87	209.79	16.54
	14	137.12	11.47	145.69	12.15	154.26	12.82	171.40	13.50	188.54	15.52	197.11	16.20	205.68	16.87	134.43	11.59	142.83	12.27	151.23	12.95	168.04	13.64	184.84	15.68	193.24	16.36	201.64	17.04
	23	127.71	12.20	135.69	12.92	143.67	13.64	159.63	14.35	175.60	16.51	183.58	17.22	191.56	17.94	128.55	12.88	128.55	13.64	136.11	14.39	151.23	15.15	166.35	17.42	173.92	18.18	181.48	18.94
	32	120.99	12.88	128.55	13.64	136.11	14.39	151.23	15.15	166.35	17.42	173.92	18.18	181.48	18.94	112.82	13.20	119.87	13.97	126.92	14.75	141.03	15.52	155.13	17.85	162.18	18.63	169.23	19.40
	41	94.10	14.49	99.98	15.34	105.86	16.19	117.62	17.04	129.39	19.60	135.27	20.45	141.15	21.30	115	112.82	119.87	126.92	139.7	141.03	155.13	178.5	162.18	186.3	169.23	194.0		
	50	94.10	14.49	99.98	15.34	105.86	16.19	117.62	17.04	129.39	19.60	135.27	20.45	141.15	21.30	115	112.82	119.87	126.92	139.7	141.03	155.13	178.5	162.18	186.3	169.23	194.0		
	65	137.12	11.47	145.69	12.15	154.26	12.82	171.40	13.50	188.54	15.52	197.11	16.20	205.68	16.87	134.43	11.59	142.83	12.27	151.23	12.95	168.04	13.64	184.84	15.68	193.24	16.36	201.64	17.04
	75	127.71	12.20	135.69	12.92	143.67	13.64	159.63	14.35	175.60	16.51	183.58	17.22	191.56	17.94	127.71	12.20	135.69	12.92	143.67	13.64	159.63	14.35	175.60	16.51	183.58	17.22	191.56	17.94
	85	120.99	12.88	128.55	13.64	136.11	14.39	151.23	15.15	166.35	17.42	173.92	18.18	181.48	18.94	115	112.82	119.87	126.92	139.7	141.03	155.13	178.5	162.18	186.3	169.23	194.0		
	109	94.10	14.49	99.98	15.34	105.86	16.19	117.62	17.04	129.39	19.60	135.27	20.45	141.15	21.30	115	112.82	119.87	126.92	139.7	141.03	155.13	178.5	162.18	186.3	169.23	194.0		
	122	94.10	14.49	99.98	15.34	105.86	16.19	117.62	17.04	129.39	19.60	135.27	20.45	141.15	21.30	115	112.82	119.87	126.92	139.7	141.03	155.13	178.5	162.18	186.3	169.23	194.0		

Combination	Outdoor Ambient Temperature °F DB °C DB	Indoor Ambient Temperature of WB(oC WB)																																																																																																																																																																																																																																																																																																																																																																																																																																																																			
		57(13.9)						61(16.1)						64(17.8)						67(19.4)						70(21.1)						72(22.2)						75 (23.9)																																																																																																																																																																																																																																																																																																																																																																																																																															
		TC	PI	KBTU	KW	TC	PI	KBTU	KW	TC	PI	KBTU	KW	TC	PI	KBTU	KW	TC	PI	KBTU	KW	TC	PI	KBTU	KW	TC	PI	KBTU	KW	TC	PI	KBTU	KW																																																																																																																																																																																																																																																																																																																																																																																																																																				
110%	-4	-20	168.83	9.44	179.38	9.99	189.93	10.55	211.04	11.11	232.14	12.77	242.69	13.33	253.25	13.88	163.91	9.53	174.16	10.10	184.40	10.66	204.89	11.22	225.38	12.90	235.63	13.46	245.87	14.02	159.14	9.73	169.09	10.30	179.03	10.87	198.92	11.45	218.82	13.16	228.76	13.74	238.71	14.31	154.50	9.93	164.16	10.51	173.82	11.10	193.13	11.68	212.44	13.43	222.10	14.02	231.76	14.60	151.47	10.13	160.94	10.73	170.41	11.32	189.34	11.92	208.28	13.71	217.74	14.30	227.21	14.90	148.50	10.34	157.79	10.95	167.07	11.55	185.63	12.16	204.19	13.99	213.47	14.59	222.76	15.20	145.59	10.55	154.69	11.17	163.79	11.79	181.99	12.41	200.19	14.27	209.29	14.89	218.39	15.51	142.74	10.76	151.66	11.40	160.58	12.03	178.42	12.66	196.26	14.56	205.19	15.20	214.11	15.83	139.94	10.98	148.69	11.63	157.43	12.28	174.92	12.92	192.42	14.86	201.16	15.51	209.91	16.15	137.20	11.21	145.77	11.87	154.34	12.53	171.49	13.19	188.64	15.16	197.22	15.82	205.79	16.48	134.50	11.44	142.91	12.11	151.32	12.78	168.13	13.45	184.94	15.47	193.35	16.14	201.76	16.82	131.87	11.55	140.11	12.23	148.35	12.91	164.83	13.59	181.32	15.63	189.56	16.31	197.80	16.99	125.27	12.16	133.10	12.87	140.93	13.59	156.59	14.31	172.25	16.45	180.08	17.17	187.91	17.88	118.68	12.84	126.10	13.59	133.52	14.35	148.35	15.10	163.19	17.37	170.60	18.12	178.02	18.88	110.67	13.17	117.59	13.94	124.51	14.72	138.34	15.49	152.17	17.81	159.09	18.59	166.01	19.36	92.31	14.44	98.08	15.29	103.85	16.14	115.38	16.99	126.92	19.54	132.69	20.39	138.46	21.23	100%	-4	-20	164.18	9.38	174.44	9.93	184.70	10.48	205.23	11.03	225.75	12.69	236.01	13.24	246.27	13.79	159.40	9.47	169.36	10.03	179.32	10.59	199.25	11.14	219.17	12.81	229.14	13.37	239.10	13.93	154.76	9.66	164.43	10.23	174.10	10.80	193.45	11.37	212.79	13.08	222.46	13.64	232.14	14.21	150.25	9.86	159.64	10.44	169.03	11.02	187.81	11.60	206.59	13.34	215.98	13.92	225.37	14.50	147.30	10.06	156.51	10.66	165.72	11.25	184.13	11.84	202.54	13.62	211.75	14.21	220.96	14.80	144.42	10.27	153.44	10.87	162.47	11.48	180.52	12.08	198.57	13.89	207.60	14.50	216.62	15.10	141.58	10.48	150.43	11.09	159.28	11.71	176.98	12.33	194.68	14.18	203.53	14.79	212.38	15.41	138.81	10.69	147.48	11.32	156.16	11.95	173.51	12.58	190.86	14.47	199.54	15.09	208.21	15.72	136.09	10.91	144.59	11.55	153.10	12.19	170.11	12.84	187.12	14.76	195.62	15.40	204.13	16.04	133.42	11.13	141.76	11.79	150.09	12.44	166.77	13.10	183.45	15.06	191.79	15.72	200.13	16.37	130.80	11.36	138.98	12.03	147.15	12.70	163.50	13.37	179.85	15.37	188.03	16.04	196.20	16.71	128.24	11.48	136.25	12.15	144.27	12.83	160.30	13.50	176.33	15.53	184.34	16.20	192.35	16.88	121.82	12.08	129.44	12.79	137.05	13.50	152.28	14.21	167.51	16.34	175.12	17.05	182.74	17.76	115.41	12.75	122.63	13.50	129.84	14.25	144.27	15.00	158.69	17.25	165.91	18.00	173.12	18.75	107.45	13.06	114.16	13.83	120.88	14.60	134.31	15.37	147.74	17.68	154.46	18.44	161.17	19.21	89.77	14.34	95.38	15.19	100.99	16.03	112.21	16.88	123.43	19.41	129.04	20.25	134.65	21.09

Combination	Outdoor Ambient Temperature °F DB °C DB	Indoor Ambient Temperature of F WB(oC WB)																					
		57(13.9)			61(16.1)			64(17.8)			67(19.4)			70(21.1)			72(22.2)			75 (23.9)			
		TC	KBTU	PI	TC	KBTU	PI	TC	KBTU	PI	TC	KBTU	PI	TC	KBTU	PI	TC	KBTU	PI	TC	KBTU	PI	
90%	-4	147.52	7.78	156.74	8.24	165.96	8.70	184.40	9.16	202.84	10.53	212.06	10.99	221.28	11.45								
	5	143.23	7.86	152.18	8.32	161.13	8.79	179.03	9.25	196.93	10.64	205.89	11.10	214.84	11.56								
	14	139.05	8.02	147.74	8.49	156.44	8.97	173.82	9.44	191.20	10.85	199.89	11.32	208.58	11.80								
	23	135.00	8.19	143.44	8.67	151.88	9.15	168.75	9.63	185.63	11.07	194.07	11.56	202.51	12.04								
	32	132.36	8.35	140.63	8.84	148.90	9.34	165.45	9.83	181.99	11.30	190.26	11.79	198.53	12.28								
	41	129.76	8.52	137.87	9.02	145.98	9.53	162.20	10.03	178.42	11.53	186.53	12.03	194.64	12.53								
	50	127.22	8.70	135.17	9.21	143.12	9.72	159.02	10.23	174.92	11.77	182.87	12.28	190.83	12.79								
	65	124.72	8.87	132.52	9.40	140.31	9.92	155.90	10.44	171.49	12.01	179.29	12.53	187.08	13.05								
	75	122.28	9.06	129.92	9.59	137.56	10.12	152.85	10.65	168.13	12.25	175.77	12.78	183.42	13.32								
	77	119.88	9.24	127.37	9.78	134.86	10.33	149.85	10.87	164.83	12.50	172.33	13.05	179.82	13.59								
	85	117.53	9.43	124.87	9.98	132.22	10.54	146.91	11.09	161.60	12.76	168.95	13.31	176.29	13.87								
	95	115.22	9.52	122.43	10.08	129.63	10.64	144.03	11.21	158.43	12.89	165.63	13.45	172.84	14.01								
	105	109.46	10.03	116.30	10.62	123.15	11.21	136.83	11.79	150.51	13.56	157.35	14.15	164.19	14.74								
	109	103.70	10.58	110.18	11.21	116.66	11.83	129.63	12.45	142.59	14.32	149.07	14.94	155.55	15.56								
	115	99.93	10.45	106.17	11.07	112.42	11.68	124.91	12.30	137.40	14.14	143.65	14.76	149.89	15.37								
122	80.66	11.91	85.70	12.61	90.74	13.31	100.82	14.01	110.90	16.11	115.94	16.81	120.99	17.51									
80%	-4	134.41	6.66	142.81	7.05	151.21	7.44	168.01	7.83	184.81	9.01	193.21	9.40	201.61	9.79								
	5	130.49	6.72	138.65	7.12	146.81	7.52	163.12	7.91	179.43	9.10	187.59	9.49	195.74	9.89								
	14	126.69	6.86	134.61	7.27	142.53	7.67	158.37	8.07	174.20	9.28	182.12	9.69	190.04	10.09								
	23	123.00	7.00	130.69	7.41	138.38	7.83	153.75	8.24	169.13	9.47	176.82	9.89	184.50	10.30								
	32	120.59	7.15	128.13	7.57	135.67	7.99	150.74	8.41	165.81	9.67	173.35	10.09	180.89	10.51								
	41	118.23	7.29	125.62	7.72	133.01	8.15	147.78	8.58	162.56	9.86	169.95	10.29	177.34	10.72								
	50	115.91	7.44	123.15	7.88	130.40	8.31	144.89	8.75	159.37	10.07	166.62	10.50	173.86	10.94								
	65	113.64	7.59	120.74	8.04	127.84	8.48	142.04	8.93	156.25	10.27	163.35	10.72	170.45	11.16								
	75	111.41	7.75	118.37	8.20	125.33	8.66	139.26	9.11	153.19	10.48	160.15	10.94	167.11	11.39								
	77	109.22	7.90	116.05	8.37	122.88	8.83	136.53	9.30	150.18	10.69	157.01	11.16	163.83	11.62								
	85	107.08	8.07	113.77	8.54	120.47	9.01	133.85	9.49	147.24	10.91	153.93	11.39	160.62	11.86								
	95	104.98	8.15	111.54	8.63	118.10	9.11	131.23	9.59	144.35	11.02	150.91	11.50	157.47	11.98								
	105	99.73	8.58	105.97	9.08	112.20	9.59	124.67	10.09	137.13	11.60	143.37	12.11	149.60	12.61								
	109	94.48	9.05	100.39	9.59	106.29	10.12	118.10	10.65	129.92	12.25	135.82	12.78	141.73	13.31								
	115	95.63	9.28	101.61	9.82	107.58	10.37	119.54	10.91	131.49	12.55	137.47	13.10	143.44	13.64								
122	73.49	10.18	78.08	10.78	82.67	11.38	91.86	11.98	101.05	13.78	105.64	14.38	110.23	14.98									

Combination	Outdoor Ambient Temperature		Indoor Ambient Temperature of WB(oC WB)																												
			57(13.9)				61(16.1)				64(17.8)				67(19.4)				70(21.1)				72(22.2)				75 (23.9)				
	°F	DB	°C	DB	TC	PI	KBTU	KW	TC	PI	KBTU	KW	TC	PI	KBTU	KW	TC	PI	KBTU	KW	TC	PI	KBTU	KW	TC	PI	KBTU	KW			
	-4	-20	118.02	5.63	125.39	5.96	132.77	6.29	147.52	6.62	162.27	7.61	169.65	7.94	177.03	8.27															
	5	-15	114.58	5.68	121.74	6.02	128.90	6.35	143.23	6.69	157.55	7.69	164.71	8.02	171.87	8.36															
	14	-10	111.24	5.80	118.20	6.14	125.15	6.48	139.05	6.82	152.96	7.85	159.91	8.19	166.86	8.53															
	23	-5	108.00	5.92	114.75	6.27	121.50	6.61	135.00	6.96	148.50	8.01	155.25	8.35	162.00	8.70															
	32	0	105.89	6.04	112.50	6.39	119.12	6.75	132.36	7.10	145.59	8.17	152.21	8.52	158.83	8.88															
	41	5	103.81	6.16	110.30	6.52	116.78	6.89	129.76	7.25	142.74	8.34	149.23	8.70	155.71	9.06															
	50	10	101.77	6.29	108.13	6.66	114.50	7.03	127.22	7.40	139.94	8.51	146.30	8.88	152.66	9.25															
	65	18.3	99.78	6.42	106.01	6.79	112.25	7.17	124.72	7.55	137.19	8.68	143.43	9.06	149.67	9.43															
	75	23.8	97.82	6.55	103.94	6.93	110.05	7.32	122.28	7.70	134.50	8.86	140.62	9.24	146.73	9.63															
	77	25	95.90	6.68	101.90	7.07	107.89	7.47	119.88	7.86	131.87	9.04	137.86	9.43	143.85	9.82															
	85	29.4	94.02	6.82	99.90	7.22	105.78	7.62	117.53	8.02	129.28	9.22	135.16	9.62	141.03	10.02															
	95	35	92.18	6.89	97.94	7.29	103.70	7.70	115.22	8.10	126.75	9.32	132.51	9.72	138.27	10.13															
	105	41	87.57	7.25	93.04	7.67	98.52	8.10	109.46	8.53	120.41	9.81	125.88	10.23	131.36	10.66															
	109	42.7	82.96	7.65	88.15	8.10	93.33	8.55	103.70	9.00	114.07	10.35	119.26	10.80	124.44	11.25															
	115	46	83.81	7.45	89.05	7.88	94.29	8.32	104.76	8.76	115.24	10.07	120.48	10.51	125.71	10.95															
	122	50	64.53	8.61	68.56	9.11	72.59	9.62	80.66	10.13	88.72	11.64	92.76	12.15	96.79	12.66															
	-4	-20	101.63	4.59	107.98	4.86	114.33	5.14	127.03	5.41	139.74	6.22	146.09	6.49	152.44	6.76															
	5	-15	98.67	4.64	104.83	4.91	111.00	5.19	123.33	5.46	135.67	6.28	141.83	6.55	148.00	6.83															
	14	-10	95.79	4.74	101.78	5.01	107.77	5.29	119.74	5.57	131.71	6.41	137.70	6.69	143.69	6.96															
	23	-5	93.00	4.83	98.81	5.12	104.63	5.40	116.25	5.69	127.88	6.54	133.69	6.82	139.50	7.11															
	32	0	91.18	4.93	96.88	5.22	102.58	5.51	113.97	5.80	125.37	6.67	131.07	6.96	136.77	7.25															
	41	5	89.39	5.03	94.98	5.33	100.56	5.62	111.74	5.92	122.91	6.81	128.50	7.10	134.09	7.40															
	50	10	87.64	5.13	93.12	5.44	98.59	5.74	109.55	6.04	120.50	6.95	125.98	7.25	131.46	7.55															
	65	18.3	85.92	5.24	91.29	5.55	96.66	5.86	107.40	6.16	118.14	7.09	123.51	7.40	128.88	7.70															
	75	23.8	84.24	5.35	89.50	5.66	94.76	5.98	105.29	6.29	115.82	7.23	121.09	7.55	126.35	7.86															
	77	25	82.58	5.46	87.74	5.78	92.91	6.10	103.23	6.42	113.55	7.38	118.71	7.70	123.88	8.02															
	85	29.4	80.96	5.57	86.02	5.89	91.08	6.22	101.21	6.55	111.33	7.53	116.39	7.86	121.45	8.19															
	95	35	79.38	5.62	84.34	5.95	89.30	6.28	99.22	6.62	109.14	7.61	114.10	7.94	119.06	8.27															
	105	41	75.41	5.92	80.12	6.27	84.83	6.62	94.26	6.96	103.69	8.01	108.40	8.36	113.11	8.70															
	109	42.7	71.44	6.25	75.90	6.62	80.37	6.98	89.30	7.35	98.23	8.45	102.69	8.82	107.16	9.19															
	115	46	74.14	6.40	78.77	6.78	83.41	7.15	92.67	7.53	101.94	8.66	106.58	9.04	111.21	9.41															
	122	50	55.56	7.03	59.04	7.44	62.51	7.86	69.45	8.27	76.40	9.51	79.87	9.92	83.35	10.34															

70%

60%

Combination	Outdoor Ambient Temperature		Indoor Ambient Temperature of F WB(oC WB)																																																																																																																																																																																																																																																
			57(13.9)				61(16.1)				64(17.8)				67(19.4)				70(21.1)				72(22.2)				75 (23.9)																																																																																																																																																																																																																								
			TC	PI	KBTU	kW	TC	PI	KBTU	kW	TC	PI	KBTU	kW	TC	PI	KBTU	kW	TC	PI	KBTU	kW	TC	PI	KBTU	kW	TC	PI	KBTU	kW																																																																																																																																																																																																																					
	°F DB	°C DB	-4	-20	81.96	3.75	3.97	87.08	3.97	4.19	102.45	4.41	112.69	5.07	117.81	5.30	122.93	5.52	5	-15	79.57	3.79	4.01	84.54	4.23	99.46	4.46	109.41	5.13	114.38	5.35	119.35	5.57	14	-10	77.25	3.87	4.09	86.91	4.32	96.56	4.55	106.22	5.23	111.05	5.46	115.88	5.69	23	-5	75.00	3.94	4.18	84.38	4.41	93.75	4.64	103.13	5.34	107.82	5.57	112.50	5.80	32	0	73.53	4.03	4.26	82.72	4.50	91.91	4.74	101.11	5.45	105.70	5.68	110.30	5.92	41	5	72.09	4.11	4.35	81.10	4.59	90.11	4.83	99.12	5.56	103.63	5.80	108.13	6.04	50	10	70.68	4.19	4.44	79.51	4.68	88.34	4.93	97.18	5.67	101.60	5.92	106.01	6.16	65	18.3	69.29	4.28	4.53	77.95	4.78	86.61	5.03	95.27	5.79	99.60	6.04	103.94	6.29	75	23.8	67.93	4.36	4.62	76.42	4.88	84.91	5.13	93.41	5.90	97.65	6.16	101.90	6.42	77	25	66.60	4.45	4.72	74.92	4.98	83.25	5.24	91.57	6.02	95.74	6.29	99.90	6.55	85	29.4	65.29	4.54	4.81	69.37	5.08	81.62	5.35	89.78	6.15	93.86	6.42	97.94	6.68	95	35	64.01	4.59	4.86	68.01	5.13	80.02	5.40	88.02	6.21	92.02	6.48	96.02	6.75	105	41	60.81	4.83	5.12	68.41	5.40	76.02	5.68	83.62	6.54	87.42	6.82	91.22	7.11	109	42.7	57.61	5.10	5.40	64.81	5.70	72.02	6.00	79.22	6.90	82.82	7.20	86.42	7.50	115	46	56.71	4.96	5.26	63.80	5.55	70.89	5.84	77.97	6.72	81.52	7.01	85.06	7.30	122	50	44.81	5.74	6.08	47.61	6.41	56.01	6.75	61.61	7.76	64.41	8.10	67.21	8.44

50%

MVHQ192ME2CA
230v cooling capacity

Combination	Outdoor Ambient Temperature °F DB °C DB	Indoor Ambient Temperature of WB(oC WB)																					
		57(13.9)			61(16.1)			64(17.8)			67(19.4)			70(21.1)			72(22.2)			75 (23.9)			
		TC	KBTU	PI	TC	KBTU	PI	TC	KBTU	PI	TC	KBTU	PI	TC	KBTU	PI	TC	KBTU	PI	TC	KBTU	PI	
130%	-4	201.94	10.56	214.56	11.18	227.18	11.80	252.42	12.42	277.67	14.28	290.29	14.90	302.91	15.52								
	5	196.06	10.66	208.31	11.29	220.56	11.92	245.07	12.54	269.58	14.43	281.83	15.05	294.08	15.68								
	14	190.35	10.88	202.24	11.52	214.14	12.16	237.93	12.80	261.73	14.72	273.62	15.36	285.52	16.00								
	23	184.80	11.10	196.35	11.76	207.90	12.41	231.00	13.06	254.10	15.02	265.65	15.67	277.20	16.33								
	32	181.18	11.33	192.50	12.00	203.83	12.66	226.47	13.33	249.12	15.33	260.44	15.99	271.77	16.66								
	41	177.63	11.56	188.73	12.24	199.83	12.92	222.03	13.60	244.24	15.64	255.34	16.32	266.44	17.00								
	50	174.14	11.80	185.03	12.49	195.91	13.18	217.68	13.88	239.45	15.96	250.33	16.65	261.21	17.35								
	65	170.73	12.04	181.40	12.75	192.07	13.45	213.41	14.16	234.75	16.29	245.42	16.99	256.09	17.70								
	75	167.38	12.28	177.84	13.01	188.30	13.73	209.23	14.45	230.15	16.62	240.61	17.34	251.07	18.06								
	77	164.10	12.53	174.36	13.27	184.61	14.01	205.12	14.75	225.64	16.96	235.89	17.69	246.15	18.43								
	85	160.88	12.79	170.94	13.54	180.99	14.29	201.10	15.05	221.21	17.30	231.27	18.06	241.32	18.81								
	95	157.73	12.92	167.58	13.68	177.44	14.44	197.16	15.20	216.87	17.48	226.73	18.24	236.59	19.00								
105	149.84	13.60	159.21	14.40	168.57	15.20	187.30	16.00	206.03	18.40	215.40	19.20	224.76	20.00									
109	141.95	14.35	150.83	15.20	159.70	16.04	177.44	16.89	195.19	19.42	204.06	20.26	212.93	21.11									
115	135.10	14.71	143.54	15.57	151.98	16.44	168.87	17.30	185.76	19.90	194.20	20.76	202.64	21.63									
122	110.41	16.15	117.31	17.10	124.21	18.05	138.01	19.00	151.81	21.85	158.71	22.80	165.61	23.75									
120%	-4	198.16	10.45	210.55	11.07	222.93	11.68	247.70	12.30	272.48	14.14	284.86	14.76	297.25	15.37								
	5	192.39	10.56	204.42	11.18	216.44	11.80	240.49	12.42	264.54	14.28	276.56	14.91	288.59	15.53								
	14	186.79	10.77	198.46	11.41	210.14	12.04	233.49	12.68	256.83	14.58	268.51	15.21	280.18	15.84								
	23	181.35	10.99	192.68	11.64	204.02	12.29	226.68	12.93	249.35	14.87	260.69	15.52	272.02	16.17								
	32	177.79	11.22	188.90	11.88	200.02	12.54	222.24	13.20	244.46	15.18	255.58	15.84	266.69	16.50								
	41	174.31	11.45	185.20	12.12	196.09	12.79	217.88	13.47	239.67	15.49	250.56	16.16	261.46	16.83								
	50	170.89	11.68	181.57	12.37	192.25	13.05	213.61	13.74	234.97	15.80	245.65	16.49	256.33	17.18								
	65	167.54	11.92	178.01	12.62	188.48	13.32	209.42	14.02	230.36	16.13	240.83	16.83	251.31	17.53								
	75	164.25	12.16	174.52	12.88	184.78	13.59	205.32	14.31	225.85	16.45	236.11	17.17	246.38	17.89								
	77	161.03	12.41	171.10	13.14	181.16	13.87	201.29	14.60	221.42	16.79	231.48	17.52	241.55	18.25								
	85	157.87	12.66	167.74	13.41	177.61	14.15	197.34	14.90	217.08	17.13	226.94	17.88	236.81	18.62								
	95	154.78	12.79	164.45	13.54	174.13	14.30	193.47	15.05	212.82	17.31	222.49	18.06	232.17	18.81								
105	147.04	13.46	156.23	14.26	165.42	15.05	183.80	15.84	202.18	18.22	211.37	19.01	220.56	19.80									
109	139.30	14.21	148.01	15.05	156.71	15.89	174.13	16.72	191.54	19.23	200.24	20.07	208.95	20.90									
115	129.90	14.56	138.02	15.42	146.14	16.28	162.38	17.13	178.61	19.70	186.73	20.56	194.85	21.42									
122	108.35	15.99	115.12	16.93	121.89	17.87	135.43	18.81	148.97	21.63	155.75	22.57	162.52	23.51									

Combination	Outdoor Ambient Temperature °F DB °C DB	Indoor Ambient Temperature of WB(oC WB)																																																																																																																																																																																																																																																																																																																																																																																																																																																																
		57(13.9)				61(16.1)				64(17.8)				67(19.4)				70(21.1)				72(22.2)				75 (23.9)																																																																																																																																																																																																																																																																																																																																																																																																																																								
		TC	PI	KBTU	kW	TC	PI	KBTU	kW	TC	PI	KBTU	kW	TC	PI	KBTU	kW	TC	PI	KBTU	kW	TC	PI	KBTU	kW	TC	PI	KBTU	kW																																																																																																																																																																																																																																																																																																																																																																																																																																					
110%	-4	-20	194.39	10.45	206.54	11.07	218.69	11.68	242.99	12.30	267.29	14.14	279.43	14.76	291.58	15.37	188.73	10.56	200.52	11.18	212.32	11.80	235.91	12.42	259.50	14.28	271.30	14.91	283.09	15.53	183.23	10.77	194.68	11.41	206.13	12.04	229.04	12.68	251.94	14.58	263.39	15.21	274.85	15.84	177.89	10.99	189.01	11.64	200.13	12.29	222.37	12.93	244.60	14.87	255.72	15.52	266.84	16.17	174.41	11.22	185.31	11.88	196.21	12.54	218.01	13.20	239.81	15.18	250.71	15.84	261.61	16.50	170.99	11.45	181.67	12.12	192.36	12.79	213.73	13.47	235.11	15.49	245.79	16.16	256.48	16.83	167.63	11.68	178.11	12.37	188.59	13.05	209.54	13.74	230.50	15.80	240.97	16.49	251.45	17.18	164.35	11.92	174.62	12.62	184.89	13.32	205.43	14.02	225.98	16.13	236.25	16.83	246.52	17.53	161.12	12.16	171.19	12.88	181.26	13.59	201.40	14.31	221.55	16.45	231.62	17.17	241.69	17.89	157.96	12.41	167.84	13.14	177.71	13.87	197.46	14.60	217.20	16.79	227.07	17.52	236.95	18.25	154.87	12.66	164.55	13.41	174.23	14.15	193.58	14.90	212.94	17.13	222.62	17.88	232.30	18.62	151.83	12.79	161.32	13.54	170.81	14.30	189.79	15.05	208.77	17.31	218.26	18.06	227.75	18.81	144.24	13.46	153.25	14.26	162.27	15.05	180.30	15.84	198.33	18.22	207.34	19.01	216.36	19.80	136.65	14.21	145.19	15.05	153.73	15.89	170.81	16.72	187.89	19.23	196.43	20.07	204.97	20.90	127.43	14.56	135.39	15.42	143.35	16.28	159.28	17.13	175.21	19.70	183.18	20.56	191.14	21.42	106.28	15.99	112.92	16.93	119.57	17.87	132.85	18.81	146.14	21.63	152.78	22.57	159.42	23.51	188.73	10.35	200.52	10.96	212.32	11.57	235.91	12.18	259.50	14.00	271.30	14.61	283.09	15.22	183.23	10.45	194.68	11.07	206.13	11.68	229.04	12.30	251.94	14.14	263.39	14.76	274.85	15.37	177.89	10.67	189.01	11.29	200.13	11.92	222.37	12.55	244.60	14.43	255.72	15.06	266.84	15.69	172.71	10.88	183.51	11.53	194.30	12.17	215.89	12.81	237.48	14.73	248.27	15.37	259.07	16.01	169.33	11.11	179.91	11.76	190.49	12.41	211.66	13.07	232.82	15.03	243.41	15.68	253.99	16.33	166.01	11.33	176.38	12.00	186.76	12.67	207.51	13.33	228.26	15.33	238.63	16.00	249.01	16.67	162.75	11.56	172.92	12.25	183.09	12.93	203.44	13.61	223.78	15.65	233.95	16.33	244.13	17.01	159.56	11.80	169.53	12.50	179.50	13.19	199.45	13.88	219.39	15.97	229.37	16.66	239.34	17.35	156.43	12.04	166.21	12.75	175.98	13.46	195.54	14.17	215.09	16.29	224.87	17.00	234.65	17.71	153.36	12.29	162.95	13.01	172.53	13.73	191.70	14.46	210.87	16.62	220.46	17.35	230.05	18.07	150.36	12.54	159.75	13.28	169.15	14.01	187.95	14.75	206.74	16.96	216.14	17.70	225.53	18.44	147.41	12.67	156.62	13.41	165.83	14.16	184.26	14.90	202.69	17.14	211.90	17.88	221.11	18.63	140.04	13.33	148.79	14.12	157.54	14.90	175.05	15.68	192.55	18.04	201.30	18.82	210.06	19.61	132.67	14.07	140.96	14.90	149.25	15.73	165.83	16.56	182.42	19.04	190.71	19.87	199.00	20.69	123.71	14.42	131.45	15.27	139.18	16.12	154.64	16.96	170.11	19.51	177.84	20.36	185.57	21.20	103.19	15.83	109.63	16.76	116.08	17.69	128.98	18.63	141.88	21.42	148.33	22.35	154.78	23.28
	100%	-4	-20	188.73	10.35	200.52	10.96	212.32	11.57	235.91	12.18	259.50	14.00	271.30	14.61	283.09	15.22	183.23	10.45	194.68	11.07	206.13	11.68	229.04	12.30	251.94	14.14	263.39	14.76	274.85	15.37	177.89	10.67	189.01	11.29	200.13	11.92	222.37	12.55	244.60	14.43	255.72	15.06	266.84	15.69	172.71	10.88	183.51	11.53	194.30	12.17	215.89	12.81	237.48	14.73	248.27	15.37	259.07	16.01	169.33	11.11	179.91	11.76	190.49	12.41	211.66	13.07	232.82	15.03	243.41	15.68	253.99	16.33	166.01	11.33	176.38	12.00	186.76	12.67	207.51	13.33	228.26	15.33	238.63	16.00	249.01	16.67	162.75	11.56	172.92	12.25	183.09	12.93	203.44	13.61	223.78	15.65	233.95	16.33	244.13	17.01	159.56	11.80	169.53	12.50	179.50	13.19	199.45	13.88	219.39	15.97	229.37	16.66	239.34	17.35	156.43	12.04	166.21	12.75	175.98	13.46	195.54	14.17	215.09	16.29	224.87	17.00	234.65	17.71	153.36	12.29	162.95	13.01	172.53	13.73	191.70	14.46	210.87	16.62	220.46	17.35	230.05	18.07	150.36	12.54	159.75	13.28	169.15	14.01	187.95	14.75	206.74	16.96	216.14	17.70	225.53	18.44	147.41	12.67	156.62	13.41	165.83	14.16	184.26	14.90	202.69	17.14	211.90	17.88	221.11	18.63	140.04	13.33	148.79	14.12	157.54	14.90	175.05	15.68	192.55	18.04	201.30	18.82	210.06	19.61	132.67	14.07	140.96	14.90	149.25	15.73	165.83	16.56	182.42	19.04	190.71	19.87	199.00	20.69	123.71	14.42	131.45	15.27	139.18	16.12	154.64	16.96	170.11	19.51	177.84	20.36	185.57	21.20	103.19	15.83	109.63	16.76	116.08	17.69	128.98	18.63	141.88	21.42	148.33	22.35	154.78	23.28																																																																																																																																																																																																																															

Combination	Outdoor Ambient Temperature °F DB / °C DB	Indoor Ambient Temperature of WB(oC WB)																					
		57(13.9)			61(16.1)			64(17.8)			67(19.4)			70(21.1)			72(22.2)			75 (23.9)			
		TC	KBTU	PI	TC	KBTU	PI	TC	KBTU	PI	TC	KBTU	PI	TC	KBTU	PI	TC	KBTU	PI	TC	KBTU	PI	
90%	-4	169.85	8.59	180.47	9.10	191.09	9.60	212.32	10.11	233.55	11.62	244.17	12.13	254.78	12.63								
	5	164.91	8.68	175.21	9.19	185.52	9.70	206.13	10.21	226.75	11.74	237.05	12.25	247.36	12.76								
	14	160.10	8.85	170.11	9.37	180.12	9.90	200.13	10.42	220.14	11.98	230.15	12.50	240.16	13.02								
	23	155.44	9.03	165.16	9.57	174.87	10.10	194.30	10.63	213.73	12.22	223.45	12.75	233.16	13.29								
	32	152.39	9.22	161.92	9.76	171.44	10.30	190.49	10.85	209.54	12.47	219.07	13.01	228.59	13.56								
	41	149.41	9.41	158.74	9.96	168.08	10.51	186.76	11.07	205.43	12.73	214.77	13.28	224.11	13.83								
	50	146.48	9.60	155.63	10.16	164.78	10.73	183.09	11.29	201.40	12.99	210.56	13.55	219.71	14.12								
	65	143.60	9.79	152.58	10.37	161.55	10.95	179.50	11.52	197.45	13.25	206.43	13.83	215.41	14.40								
	75	140.79	9.99	149.59	10.58	158.39	11.17	175.98	11.76	193.58	13.52	202.38	14.11	211.18	14.70								
	77	138.03	10.20	146.65	10.80	155.28	11.40	172.53	12.00	189.79	13.80	198.41	14.40	207.04	15.00								
	85	135.32	10.41	143.78	11.02	152.24	11.63	169.15	12.24	186.07	14.08	194.52	14.69	202.98	15.30								
	95	132.67	10.51	140.96	11.13	149.25	11.75	165.83	12.37	182.42	14.22	190.71	14.84	199.00	15.46								
	105	126.03	11.07	133.91	11.72	141.79	12.37	157.54	13.02	173.30	14.97	181.17	15.62	189.05	16.27								
	109	119.40	11.68	126.86	12.37	134.33	13.05	149.25	13.74	164.18	15.80	171.64	16.49	179.10	17.18								
115	115.05	11.54	122.25	12.21	129.44	12.89	143.82	13.57	158.20	15.61	165.39	16.29	172.58	16.96									
122	92.87	13.14	98.67	13.91	104.48	14.69	116.08	15.46	127.69	17.78	133.50	18.55	139.30	19.32									
80%	-4	154.76	7.35	164.43	7.78	174.10	8.21	193.45	8.64	212.79	9.94	222.46	10.37	232.13	10.81								
	5	150.25	7.42	159.64	7.86	169.03	8.30	187.81	8.73	206.59	10.04	215.98	10.48	225.37	10.92								
	14	145.87	7.57	154.99	8.02	164.11	8.46	182.34	8.91	200.58	10.25	209.69	10.69	218.81	11.14								
	23	141.62	7.73	150.48	8.18	159.33	8.64	177.03	9.09	194.73	10.46	203.58	10.91	212.44	11.37								
	32	138.85	7.89	147.53	8.35	156.20	8.81	173.56	9.28	190.91	10.67	199.59	11.13	208.27	11.60								
	41	136.12	8.05	144.63	8.52	153.14	8.99	170.16	9.47	187.17	10.89	195.68	11.36	204.19	11.83								
	50	133.46	8.21	141.80	8.69	150.14	9.18	166.82	9.66	183.50	11.11	191.84	11.59	200.18	12.08								
	65	130.84	8.38	139.02	8.87	147.19	9.36	163.55	9.86	179.90	11.34	188.08	11.83	196.26	12.32								
	75	128.27	8.55	136.29	9.05	144.31	9.56	160.34	10.06	176.38	11.57	184.39	12.07	192.41	12.57								
	77	125.76	8.72	133.62	9.24	141.48	9.75	157.20	10.26	172.92	11.80	180.78	12.32	188.64	12.83								
	85	123.29	8.90	131.00	9.43	138.70	9.95	154.12	10.47	169.53	12.04	177.23	12.57	184.94	13.09								
	95	120.87	8.99	128.43	9.52	135.98	10.05	151.09	10.58	166.20	12.17	173.76	12.69	181.31	13.22								
	105	114.83	9.47	122.01	10.02	129.18	10.58	143.54	11.14	157.89	12.81	165.07	13.36	172.25	13.92								
	109	108.79	9.99	115.59	10.58	122.39	11.17	135.98	11.75	149.58	13.52	156.38	14.11	163.18	14.69								
115	110.11	10.24	116.99	10.84	123.87	11.44	137.63	12.04	151.40	13.85	158.28	14.45	165.16	15.06									
122	84.61	11.24	89.90	11.90	95.19	12.56	105.77	13.22	116.34	15.21	121.63	15.87	126.92	16.53									

Combination	Outdoor Ambient Temperature		Indoor Ambient Temperature of WB(oC WB)																																																																																																																																																																																																																																																																																																																																																																																																																																																																																																																																																																																												
			57(13.9)				61(16.1)				64(17.8)				67(19.4)				70(21.1)				72(22.2)				75 (23.9)																																																																																																																																																																																																																																																																																																																																																																																																																																																																																																																																																																				
			TC	PI	KBTU	kW	TC	PI	KBTU	kW	TC	PI	KBTU	kW	TC	PI	KBTU	kW	TC	PI	KBTU	kW	TC	PI	KBTU	kW	TC	PI	KBTU	kW																																																																																																																																																																																																																																																																																																																																																																																																																																																																																																																																																																	
	°F DB	°C DB	-4	-20	135.88	6.21	144.38	6.57	6.94	152.87	6.94	169.85	7.31	186.84	8.40	195.33	8.77	203.83	9.13	5	-15	131.93	6.27	140.17	6.64	148.42	7.01	164.91	7.38	181.40	8.49	189.64	8.86	197.89	9.22	14	-10	128.08	6.40	136.09	6.78	144.09	7.15	160.10	7.53	176.11	8.66	184.12	9.04	192.13	9.41	198.53	9.60	23	-5	124.35	6.53	132.12	6.92	139.90	7.30	155.44	7.68	170.99	8.84	178.76	9.22	186.53	9.60	192.87	9.80	32	0	121.91	6.66	129.53	7.06	137.15	7.45	152.39	7.84	167.63	9.02	175.25	9.41	182.87	9.80	190.00	10.00	41	5	119.52	6.80	126.99	7.20	134.46	7.60	149.41	8.00	164.35	9.20	171.82	9.60	179.29	10.00	186.38	10.63	50	10	117.18	6.94	124.50	7.35	131.83	7.76	146.48	8.16	161.12	9.39	168.45	9.80	175.77	10.20	182.32	10.41	65	18.3	114.88	7.08	122.06	7.50	129.24	7.91	143.60	8.33	157.96	9.58	165.14	10.00	172.32	10.41	178.95	10.63	75	23.8	112.63	7.23	119.67	7.65	126.71	8.08	140.79	8.50	154.87	9.78	161.91	10.20	168.95	10.63	175.77	10.84	77	25	110.42	7.37	117.32	7.81	124.22	8.24	138.03	8.67	151.83	9.97	158.73	10.41	165.63	10.84	172.32	11.06	85	29.4	108.26	7.52	115.02	7.97	121.79	8.41	135.32	8.85	148.85	10.18	155.62	10.62	162.38	11.06	169.29	11.18	95	35	106.13	7.60	112.77	8.05	119.40	8.49	132.67	8.94	145.93	10.28	152.57	10.73	159.20	11.18	166.00	11.76	105	41	100.83	8.00	107.13	8.47	113.43	8.94	126.03	9.41	138.64	10.82	144.94	11.29	151.24	11.76	157.77	12.42	109	42.7	95.52	8.44	101.49	8.94	107.46	9.44	119.40	9.93	131.34	11.42	137.31	11.92	143.28	12.42	149.29	12.99	115	46	96.50	8.22	102.53	8.70	108.56	9.19	120.62	9.67	132.68	11.12	138.72	11.60	144.75	12.09	150.76	12.99	122	50	74.29	9.50	78.94	10.06	83.58	10.62	92.87	11.18	102.15	12.85	106.80	13.41	111.44	13.97	117.45	14.46	-4	-20	117.01	5.07	124.32	5.37	131.64	5.67	146.26	5.97	160.89	6.86	168.20	7.16	175.52	7.46	182.87	7.76	5	-15	113.60	5.12	120.70	5.42	127.80	5.73	142.00	6.03	156.20	6.93	163.30	7.23	170.40	7.53	177.71	7.83	14	-10	110.29	5.23	117.19	5.53	124.08	5.84	137.87	6.15	151.65	7.07	158.55	7.38	165.44	7.69	172.33	7.99	23	-5	107.08	5.33	113.77	5.65	120.47	5.96	133.85	6.27	147.24	7.22	153.93	7.53	160.62	7.84	167.41	8.14	32	0	104.98	5.44	111.54	5.76	118.10	6.08	131.23	6.40	144.35	7.36	150.91	7.68	157.47	8.00	164.26	8.30	41	5	102.92	5.55	109.36	5.88	115.79	6.21	128.65	6.53	141.52	7.51	147.95	7.84	154.39	8.17	161.26	8.47	50	10	100.91	5.67	107.21	6.00	113.52	6.33	126.13	6.67	138.74	7.67	145.05	8.00	151.36	8.33	158.07	8.59	65	18.3	98.93	5.78	105.11	6.12	111.29	6.46	123.66	6.80	136.02	7.82	142.21	8.16	148.39	8.50	155.10	9.09	75	23.8	96.99	5.90	103.05	6.25	109.11	6.59	121.23	6.94	133.36	7.98	139.42	8.33	145.48	8.68	152.27	9.21	77	25	95.09	6.02	101.03	6.38	106.97	6.73	118.86	7.08	130.74	8.15	136.69	8.50	142.63	8.85	149.42	9.18	85	29.4	93.22	6.14	99.05	6.51	104.87	6.87	116.53	7.23	128.18	8.31	134.01	8.67	139.83	9.03	146.62	9.36	95	35	91.39	6.21	97.11	6.57	102.82	6.94	114.24	7.30	125.67	8.40	131.38	8.76	137.09	9.13	143.88	9.42	105	41	86.82	6.53	92.25	6.92	97.68	7.30	108.53	7.69	119.38	8.84	124.81	9.22	130.24	9.61	137.03	10.00	109	42.7	82.25	6.90	87.39	7.30	92.54	7.71	102.82	8.11	113.10	9.33	118.24	9.73	123.38	10.14	129.57	10.53	115	46	85.36	7.07	90.70	7.48	96.03	7.90	106.70	8.31	117.37	9.56	122.71	9.97	128.04	10.39	134.27	10.79	122	50	63.98	7.76	67.97	8.21	71.97	8.67	79.97	9.13	87.97	10.50	91.96	10.95	95.96	11.41	101.96	11.91

Combination	Outdoor Ambient Temperature °F DB °C DB	Indoor Ambient Temperature of F WB(oC WB)																					
		57(13.9)			61(16.1)			64(17.8)			67(19.4)			70(21.1)			72(22.2)			75 (23.9)			
		TC	PI	KW	TC	PI	KW	TC	PI	KW	TC	PI	KW	TC	PI	KW	TC	PI	KW	TC	PI	KW	
50%	-4	94.36	4.14	4.38	100.26	4.63	106.16	4.87	117.95	5.02	122.30	5.23	129.75	5.44	135.65	5.60	141.55	5.84	147.45	6.09	153.35	6.33	159.25
	5	91.62	4.18	4.43	97.34	4.67	103.07	4.92	114.52	5.12	122.30	5.33	125.97	5.55	131.70	5.66	137.42	5.90	143.28	6.15	149.13	6.39	154.98
	14	88.95	4.27	4.52	94.51	4.77	100.07	5.02	111.18	5.23	118.74	5.44	122.30	5.66	127.86	5.77	133.42	6.02	139.03	6.27	144.64	6.50	150.25
	23	86.36	4.35	4.61	91.75	4.87	97.15	5.12	107.95	5.33	116.41	5.55	118.74	5.77	124.14	5.89	129.53	6.15	135.37	6.40	141.26	6.66	147.00
	32	84.66	4.44	4.70	89.95	4.97	95.25	5.23	105.83	5.44	111.89	5.66	116.41	5.90	121.70	6.02	126.99	6.27	132.64	6.50	138.34	6.73	144.09
	41	83.00	4.53	4.80	88.19	5.07	93.38	5.33	103.75	5.55	110.72	5.77	114.13	6.02	119.32	6.15	124.50	6.40	130.26	6.66	136.21	6.89	141.97
	50	81.38	4.63	4.90	86.46	5.17	91.55	5.44	101.72	5.66	109.70	5.90	111.89	6.27	116.98	6.50	122.06	6.73	128.31	7.00	134.62	7.23	140.98
	65	79.78	4.72	5.00	84.77	5.28	89.75	5.55	99.72	5.77	107.55	6.02	109.70	6.50	114.68	6.66	119.67	6.89	125.76	7.15	131.90	7.39	138.17
	75	78.22	4.82	5.10	83.10	5.38	87.99	5.66	97.77	5.90	105.44	6.15	107.55	6.73	112.43	6.89	117.32	7.00	123.46	7.23	129.64	7.47	136.07
	77	76.68	4.92	5.20	81.47	5.49	86.27	5.77	95.85	6.02	103.37	6.27	105.44	6.89	110.23	7.00	115.02	7.23	121.26	7.47	127.54	7.70	133.87
	85	75.18	5.02	5.31	79.88	5.61	84.58	5.90	93.97	6.15	101.34	6.50	103.37	7.00	108.07	7.15	112.77	7.39	119.06	7.64	125.40	7.89	131.69
	95	73.70	5.07	5.36	78.31	5.66	82.92	5.96	92.13	6.27	96.28	6.50	101.34	7.00	105.95	7.15	110.56	7.39	116.75	7.64	122.54	7.89	128.83
	105	70.02	5.33	5.65	74.40	5.96	78.77	6.27	87.52	6.50	91.21	6.89	96.28	7.39	100.65	7.53	105.03	7.70	110.92	7.95	116.29	8.28	122.56
	109	66.33	5.63	5.96	70.48	5.96	74.63	6.29	82.92	6.62	89.78	7.00	91.21	7.64	95.35	7.70	99.50	7.95	105.03	8.28	110.70	8.57	116.49
115	65.29	5.48	5.80	69.37	5.80	73.46	6.12	81.62	6.45	89.78	7.15	89.78	7.64	93.86	7.70	97.94	7.95	103.61	8.28	109.36	8.57	115.11	
122	51.59	6.33	6.71	54.82	6.71	58.04	7.08	64.49	7.45	70.94	8.57	70.94	8.57	74.16	8.94	77.39	9.31	83.84	9.79	90.84	10.74	97.84	

Combination	Outdoor Ambient Temperature °F DB °C DB	Indoor Ambient Temperature of WB(oC WB)																								
		57(13.9)			61(16.1)			64(17.8)			67(19.4)			70(21.1)			72(22.2)			75 (23.9)						
		TC	PI	KW	KBTU	TC	PI	KW	KBTU	TC	PI	KW	KBTU	TC	PI	KW	KBTU	TC	PI	KW	KBTU	TC	PI	KW	KBTU	
130%	-4	225.95	12.93	240.07	13.69	254.19	14.45	282.43	15.21	310.68	17.49	324.80	18.25	338.92	19.01											
	5	219.37	13.06	233.08	13.83	246.79	14.60	274.21	15.37	301.63	17.67	315.34	18.44	329.05	19.21											
	14	212.98	13.33	226.29	14.11	239.60	14.89	266.22	15.68	292.84	18.03	306.15	18.81	319.46	19.60											
	23	206.77	13.60	219.70	14.40	232.62	15.20	258.47	16.00	284.31	18.40	297.24	19.20	310.16	20.00											
	32	202.72	13.88	215.39	14.69	228.06	15.51	253.40	16.33	278.74	18.77	291.41	19.59	304.08	20.41											
	41	198.74	14.16	211.17	14.99	223.59	15.83	248.43	16.66	273.27	19.16	285.69	19.99	298.12	20.82											
	50	194.85	14.45	207.02	15.30	219.20	16.15	243.56	17.00	267.91	19.55	280.09	20.40	292.27	21.25											
	65	191.03	14.74	202.97	15.61	214.90	16.48	238.78	17.35	262.66	19.95	274.60	20.81	286.54	21.68											
	75	187.28	15.04	198.99	15.93	210.69	16.81	234.10	17.70	257.51	20.35	269.22	21.24	280.92	22.12											
	77	183.61	15.35	195.08	16.25	206.56	17.16	229.51	18.06	252.46	20.77	263.94	21.67	275.41	22.58											
	85	180.01	15.66	191.26	16.59	202.51	17.51	225.01	18.43	247.51	21.19	258.76	22.11	270.01	23.04											
	95	176.48	15.82	187.51	16.75	198.54	17.68	220.60	18.62	242.66	21.41	253.69	22.34	264.72	23.27											
105	167.65	16.66	178.13	17.64	188.61	18.62	209.57	19.59	230.53	22.53	241.00	23.51	251.48	24.49												
109	158.83	17.58	168.76	18.62	178.68	19.65	198.54	20.68	218.39	23.79	228.32	24.82	238.25	25.85												
115	151.16	18.01	160.61	19.07	170.05	20.13	188.95	21.19	207.84	24.37	217.29	25.43	226.74	26.49												
122	123.54	19.78	131.26	20.94	138.98	22.11	154.42	23.27	169.86	26.76	177.58	27.92	185.30	29.09												
120%	-4	221.72	12.80	235.58	13.56	249.44	14.31	277.15	15.06	304.87	17.32	318.73	18.07	332.58	18.83											
	5	215.27	12.93	228.72	13.69	242.17	14.45	269.08	15.21	295.99	17.50	309.44	18.26	322.90	19.02											
	14	209.00	13.20	222.06	13.97	235.12	14.75	261.24	15.52	287.37	17.85	300.43	18.63	313.49	19.41											
	23	202.91	13.47	215.59	14.26	228.27	15.05	253.64	15.84	279.00	18.22	291.68	19.01	304.36	19.80											
	32	198.93	13.74	211.36	14.55	223.80	15.36	248.66	16.17	273.53	18.59	285.96	19.40	298.39	20.21											
	41	195.03	14.02	207.22	14.85	219.41	15.67	243.79	16.49	268.16	18.97	280.35	19.79	292.54	20.62											
	50	191.20	14.31	203.16	15.15	215.11	15.99	239.01	16.83	262.91	19.36	274.86	20.20	286.81	21.04											
	65	187.46	14.60	199.17	15.46	210.89	16.32	234.32	17.18	257.75	19.75	269.47	20.61	281.18	21.47											
	75	183.78	14.90	195.27	15.77	206.75	16.65	229.73	17.53	252.70	20.15	264.18	21.03	275.67	21.91											
	77	180.18	15.20	191.44	16.09	202.70	16.99	225.22	17.88	247.74	20.57	259.00	21.46	270.26	22.35											
	85	176.64	15.51	187.68	16.42	198.72	17.34	220.80	18.25	242.89	20.99	253.93	21.90	264.97	22.81											
	95	173.18	15.67	184.00	16.59	194.83	17.51	216.48	18.43	238.12	21.20	248.95	22.12	259.77	23.04											
105	164.52	16.49	174.80	17.46	185.09	18.43	205.65	19.40	226.22	22.31	236.50	23.28	246.78	24.25												
109	155.86	17.41	165.60	18.43	175.34	19.46	194.83	20.48	214.31	23.55	224.05	24.58	233.79	25.60												
115	145.34	17.84	154.43	18.89	163.51	19.94	181.68	20.99	199.85	24.13	208.93	25.18	218.02	26.23												
122	121.23	19.58	128.80	20.74	136.38	21.89	151.53	23.04	166.69	26.50	174.26	27.65	181.84	28.80												

Combination	Outdoor Ambient Temperature °F DB °C DB	Indoor Ambient Temperature of WB(oC WB)																												
		57(13.9)				61(16.1)				64(17.8)				67(19.4)				70(21.1)				72(22.2)				75 (23.9)				
		TC	PI	KBTU	kW	TC	PI	KBTU	kW	TC	PI	KBTU	kW	TC	PI	KBTU	kW	TC	PI	KBTU	kW	TC	PI	KBTU	kW	TC	PI	KBTU	kW	
110%	-4	-20	217.50	12.80	231.09	13.56	244.69	14.31	271.87	15.06	299.06	17.32	312.66	18.07	326.25	18.83	217.50	12.80	231.09	13.56	244.69	14.31	271.87	15.06	299.06	17.32	312.66	18.07	326.25	18.83
	5	-15	211.16	12.93	224.36	13.69	237.56	14.45	263.96	15.21	290.35	17.50	303.55	18.26	316.75	19.02	211.16	12.93	224.36	13.69	237.56	14.45	263.96	15.21	290.35	17.50	303.55	18.26	316.75	19.02
	14	-10	205.01	13.20	217.83	13.97	230.64	14.75	256.27	15.52	281.89	17.85	294.71	18.63	307.52	19.41	205.01	13.20	217.83	13.97	230.64	14.75	256.27	15.52	281.89	17.85	294.71	18.63	307.52	19.41
	23	-5	199.04	13.47	211.48	14.26	223.92	15.05	248.80	15.84	273.68	18.22	286.12	19.01	298.56	19.80	199.04	13.47	211.48	14.26	223.92	15.05	248.80	15.84	273.68	18.22	286.12	19.01	298.56	19.80
	32	0	195.14	13.74	207.34	14.55	219.53	15.36	243.93	16.17	268.32	18.59	280.51	19.40	292.71	20.21	195.14	13.74	207.34	14.55	219.53	15.36	243.93	16.17	268.32	18.59	280.51	19.40	292.71	20.21
	41	5	191.31	14.02	203.27	14.85	215.23	15.67	239.14	16.49	263.06	18.97	275.01	19.79	286.97	20.62	191.31	14.02	203.27	14.85	215.23	15.67	239.14	16.49	263.06	18.97	275.01	19.79	286.97	20.62
	50	10	187.56	14.31	199.29	15.15	211.01	15.99	234.45	16.83	257.90	19.36	269.62	20.20	281.34	21.04	187.56	14.31	199.29	15.15	211.01	15.99	234.45	16.83	257.90	19.36	269.62	20.20	281.34	21.04
	65	18.3	183.89	14.60	195.38	15.46	206.87	16.32	229.86	17.18	252.84	19.75	264.33	20.61	275.83	21.47	183.89	14.60	195.38	15.46	206.87	16.32	229.86	17.18	252.84	19.75	264.33	20.61	275.83	21.47
	75	23.8	180.28	14.90	191.55	15.77	202.81	16.65	225.35	17.53	247.88	20.15	259.15	21.03	270.42	21.91	180.28	14.90	191.55	15.77	202.81	16.65	225.35	17.53	247.88	20.15	259.15	21.03	270.42	21.91
	77	25	176.74	15.20	187.79	16.09	198.84	16.99	220.93	17.88	243.02	20.57	254.07	21.46	265.12	22.35	176.74	15.20	187.79	16.09	198.84	16.99	220.93	17.88	243.02	20.57	254.07	21.46	265.12	22.35
	85	29.4	173.28	15.51	184.11	16.42	194.94	17.34	216.60	18.25	238.26	20.99	249.09	21.90	259.92	22.81	173.28	15.51	184.11	16.42	194.94	17.34	216.60	18.25	238.26	20.99	249.09	21.90	259.92	22.81
	95	35	169.88	15.67	180.50	16.59	191.12	17.51	212.35	18.43	233.59	21.20	244.20	22.12	254.82	23.04	169.88	15.67	180.50	16.59	191.12	17.51	212.35	18.43	233.59	21.20	244.20	22.12	254.82	23.04
	105	41	161.39	16.49	171.47	17.46	181.56	18.43	201.73	19.40	221.91	22.31	231.99	23.28	242.08	24.25	161.39	16.49	171.47	17.46	181.56	18.43	201.73	19.40	221.91	22.31	231.99	23.28	242.08	24.25
	109	42.7	152.89	17.41	162.45	18.43	172.00	19.46	191.12	20.48	210.23	23.55	219.78	24.58	229.34	25.60	152.89	17.41	162.45	18.43	172.00	19.46	191.12	20.48	210.23	23.55	219.78	24.58	229.34	25.60
	115	46	142.58	17.84	151.49	18.89	160.40	19.94	178.22	20.99	196.04	24.13	204.95	25.18	213.86	26.23	142.58	17.84	151.49	18.89	160.40	19.94	178.22	20.99	196.04	24.13	204.95	25.18	213.86	26.23
122	50	118.92	19.58	126.35	20.74	133.78	21.89	148.65	23.04	163.51	26.50	170.94	27.65	178.38	28.80	118.92	19.58	126.35	20.74	133.78	21.89	148.65	23.04	163.51	26.50	170.94	27.65	178.38	28.80	
100%	-4	-20	211.16	12.68	224.36	13.42	237.56	14.17	263.96	14.91	290.35	17.15	303.55	17.90	316.75	18.64	211.16	12.68	224.36	13.42	237.56	14.17	263.96	14.91	290.35	17.15	303.55	17.90	316.75	18.64
	5	-15	205.01	12.80	217.83	13.56	230.64	14.31	256.27	15.06	281.89	17.32	294.71	18.08	307.52	18.83	205.01	12.80	217.83	13.56	230.64	14.31	256.27	15.06	281.89	17.32	294.71	18.08	307.52	18.83
	14	-10	199.04	13.07	211.48	13.83	223.92	14.60	248.80	15.37	273.68	17.68	286.12	18.45	298.56	19.21	199.04	13.07	211.48	13.83	223.92	14.60	248.80	15.37	273.68	17.68	286.12	18.45	298.56	19.21
	23	-5	193.25	13.33	205.32	14.12	217.40	14.90	241.56	15.68	265.71	18.04	277.79	18.82	289.87	19.61	193.25	13.33	205.32	14.12	217.40	14.90	241.56	15.68	265.71	18.04	277.79	18.82	289.87	19.61
	32	0	189.46	13.60	201.30	14.40	213.14	15.20	236.82	16.00	260.50	18.41	272.34	19.21	284.19	20.01	189.46	13.60	201.30	14.40	213.14	15.20	236.82	16.00	260.50	18.41	272.34	19.21	284.19	20.01
	41	5	185.74	13.88	197.35	14.70	208.96	15.52	232.18	16.33	255.40	18.78	267.00	19.60	278.61	20.41	185.74	13.88	197.35	14.70	208.96	15.52	232.18	16.33	255.40	18.78	267.00	19.60	278.61	20.41
	50	10	182.10	14.17	193.48	15.00	204.86	15.83	227.62	16.66	250.39	19.16	261.77	20.00	273.15	20.83	182.10	14.17	193.48	15.00	204.86	15.83	227.62	16.66	250.39	19.16	261.77	20.00	273.15	20.83
	65	18.3	178.53	14.45	189.69	15.30	200.85	16.15	223.16	17.00	245.48	19.56	256.64	20.41	267.79	21.26	178.53	14.45	189.69	15.30	200.85	16.15	223.16	17.00	245.48	19.56	256.64	20.41	267.79	21.26
	75	23.9	175.03	14.75	185.97	15.62	196.91	16.48	218.79	17.35	240.66	19.95	251.60	20.82	262.54	21.69	175.03	14.75	185.97	15.62	196.91	16.48	218.79	17.35	240.66	19.95	251.60	20.82	262.54	21.69
	77	25	171.60	15.05	182.32	15.94	193.05	16.82	214.50	17.71	235.95	20.36	246.67	21.25	257.40	22.13	171.60	15.05	182.32	15.94	193.05	16.82	214.50	17.71	235.95	20.36	246.67	21.25	257.40	22.13
	85	29.4	168.23	15.36	178.75	16.26	189.26	17.16	210.29	18.07	231.32	20.78	241.83	21.68	252.35	22.58	168.23	15.36	178.75	16.26	189.26	17.16	210.29	18.07	231.32	20.78	241.83	21.68	252.35	22.58
	95	35	164.93	15.51	175.24	16.43	185.55	17.34	206.17	18.25	226.78	20.99	237.09	21.90	247.40	22.81	164.93	15.51	175.24	16.43	185.55	17.34	206.17	18.25	226.78	20.99	237.09	21.90	247.40	22.81
	105	40.6	156.69	16.33	166.48	17.29	176.27	18.25	195.86	19.21	215.44	22.09	225.24	23.05	235.03	24.01	156.69	16.33	166.48	17.29	176.27	18.25	195.86	19.21	215.44	22.09	225.24	23.05	235.03	24.01
	109	42.8	148.44	17.24	157.72	18.25	167.00	19.26	185.55	20.28	204.11	23.32	213.38	24.33	222.66	25.35	148.44	17.24	157.72	18.25	167.00	19.26	185.55	20.28	204.11	23.32	213.38	24.33	222.66	25.35
	115	46.1	138.42	17.66	147.07	18.70	155.73	19.74	173.03	20.78	190.33	23.89	198.98	24.93	207.63	25.97	138.42	17.66	147.07	18.70	155.73	19.74	173.03	20.78	190.33	23.89	198.98	24.93	207.63	25.97
122	50	115.45	19.39	122.67	20.53	129.89	21.67	144.32	22.81	158.75	26.23	165.96	27.38	173.18	28.52	115.45	19.39	122.67	20.53	129.89	21.67	144.32	22.81	158.75	26.23	165.96	27.38	173.18	28.52	

Combination	Outdoor Ambient Temperature °F DB °C DB	Indoor Ambient Temperature of WB(oC WB)																											
		57(13.9)			61(16.1)			64(17.8)			67(19.4)			70(21.1)			72(22.2)			75 (23.9)									
		TC	KBTU	kW	TC	KBTU	kW	TC	KBTU	kW	TC	KBTU	kW	TC	KBTU	kW	TC	KBTU	kW	TC	KBTU	kW	TC	KBTU	kW				
90%	-4	190.05	10.52	201.93	11.14	213.80	11.76	237.56	12.38	261.32	14.23	273.19	14.85	285.07	15.47														
	5	184.51	10.63	196.05	11.25	207.58	11.88	230.64	12.50	253.71	14.38	265.24	15.00	276.77	15.63														
	14	179.14	10.84	190.34	11.48	201.53	12.12	223.92	12.76	246.32	14.67	257.51	15.31	268.71	15.95														
	23	173.92	11.07	184.79	11.72	195.66	12.37	217.40	13.02	239.14	14.97	250.01	15.62	260.88	16.27														
	32	170.51	11.29	181.17	11.96	191.82	12.62	213.14	13.28	234.45	15.28	245.11	15.94	255.77	16.61														
	41	167.17	11.52	177.62	12.20	188.06	12.88	208.96	13.56	229.86	15.59	240.30	16.27	250.75	16.94														
	50	163.89	11.76	174.13	12.45	184.38	13.14	204.86	13.83	225.35	15.91	235.59	16.60	245.83	17.29														
	65	160.68	12.00	170.72	12.70	180.76	13.41	200.85	14.11	220.93	16.23	230.97	16.94	241.01	17.64														
	75	157.53	12.24	167.37	12.96	177.22	13.68	196.91	14.40	216.60	16.56	226.44	17.28	236.29	18.00														
	77	154.44	12.49	164.09	13.23	173.74	13.96	193.05	14.70	212.35	16.90	222.00	17.64	231.66	18.37														
	85	151.41	12.75	160.87	13.50	170.34	14.25	189.26	15.00	208.19	17.25	217.65	18.00	227.11	18.75														
	95	148.44	12.88	157.72	13.63	167.00	14.39	185.55	15.15	204.11	17.42	213.38	18.18	222.66	18.93														
	105	141.02	13.55	149.83	14.35	158.65	15.15	176.27	15.94	193.90	18.34	202.71	19.13	211.53	19.93														
	109	133.60	14.31	141.95	15.15	150.30	15.99	167.00	16.83	183.69	19.36	192.04	20.20	200.39	21.04														
	115	128.73	14.13	136.78	14.96	144.83	15.79	160.92	16.62	177.01	19.12	185.05	19.95	193.10	20.78														
122	103.91	16.09	110.40	17.04	116.90	17.99	129.89	18.93	142.87	21.77	149.37	22.72	155.86	23.67															
80%	-4	173.16	9.00	183.98	9.53	194.80	10.06	216.44	10.59	238.09	12.18	248.91	12.71	259.73	13.24														
	5	168.11	9.09	178.62	9.63	189.13	10.16	210.14	10.70	231.15	12.30	241.66	12.83	252.17	13.37														
	14	163.22	9.28	173.42	9.82	183.62	10.37	204.02	10.91	224.42	12.55	234.62	13.10	244.82	13.64														
	23	158.46	9.47	168.37	10.02	178.27	10.58	198.08	11.14	217.88	12.81	227.79	13.36	237.69	13.92														
	32	155.35	9.66	165.06	10.23	174.77	10.80	194.19	11.36	213.61	13.07	223.32	13.64	233.03	14.20														
	41	152.31	9.86	161.83	10.44	171.35	11.02	190.39	11.60	209.42	13.33	218.94	13.91	228.46	14.49														
	50	149.32	10.06	158.65	10.65	167.99	11.24	186.65	11.83	205.32	13.61	214.65	14.20	223.98	14.79														
	65	146.39	10.26	155.54	10.87	164.69	11.47	182.99	12.07	201.29	13.88	210.44	14.49	219.59	15.09														
	75	143.52	10.47	152.49	11.09	161.46	11.70	179.40	12.32	197.34	14.17	206.32	14.78	215.29	15.40														
	77	140.71	10.69	149.50	11.31	158.30	11.94	175.89	12.57	193.48	14.46	202.27	15.09	211.06	15.71														
	85	137.95	10.90	146.57	11.55	155.19	12.19	172.44	12.83	189.68	14.75	198.30	15.39	206.93	16.03														
	95	135.25	11.01	143.70	11.66	152.15	12.31	169.06	12.96	185.96	14.90	194.42	15.55	202.87	16.20														
	105	128.48	11.59	136.51	12.28	144.54	12.96	160.60	13.64	176.66	15.69	184.69	16.37	192.72	17.05														
	109	121.72	12.24	129.33	12.96	136.94	13.68	152.15	14.40	167.37	16.56	174.97	17.28	182.58	18.00														
	115	123.20	12.54	130.90	13.28	138.60	14.01	154.00	14.75	169.40	16.97	177.09	17.70	184.79	18.44														
122	94.67	13.77	100.59	14.58	106.51	15.39	118.34	16.20	130.17	18.63	136.09	19.44	142.01	20.25															

Combination	Outdoor Ambient Temperature		Indoor Ambient Temperature of WB(oC WB)																																																																																																																																																																																																																																																																																																																																																																																																																																																																																																																															
			57(13.9)				61(16.1)				64(17.8)				67(19.4)				70(21.1)				72(22.2)				75 (23.9)																																																																																																																																																																																																																																																																																																																																																																																																																																																																																																							
			TC	PI	KBTU	kW	TC	PI	KBTU	kW	TC	PI	KBTU	kW	TC	PI	KBTU	kW	TC	PI	KBTU	kW	TC	PI	KBTU	kW	TC	PI	KBTU	kW																																																																																																																																																																																																																																																																																																																																																																																																																																																																																																				
	°F DB	°C DB	-4	-20	152.04	7.61	161.54	8.05	171.04	8.50	190.05	8.95	209.05	10.29	218.56	10.74	228.06	11.18	5	-15	147.61	7.68	156.84	8.13	166.06	8.59	184.51	9.04	202.96	10.39	212.19	10.85	221.42	11.30	14	-10	143.31	7.84	152.27	8.30	161.22	8.76	179.14	9.22	197.05	10.61	206.01	11.07	214.97	11.53	23	-5	139.14	8.00	147.83	8.47	156.53	8.94	173.92	9.41	191.31	10.82	200.01	11.29	208.71	11.76	32	0	136.41	8.16	144.93	8.64	153.46	9.12	170.51	9.60	187.56	11.04	196.09	11.52	204.61	12.00	41	5	133.73	8.33	142.09	8.82	150.45	9.31	167.17	9.80	183.88	11.27	192.24	11.76	200.60	12.25	50	10	131.11	8.50	139.31	9.00	147.50	9.50	163.89	10.00	180.28	11.50	188.47	12.00	196.67	12.50	65	18.3	128.54	8.67	136.57	9.18	144.61	9.69	160.68	10.20	176.74	11.73	184.78	12.24	192.81	12.75	75	23.8	126.02	8.85	133.90	9.37	141.77	9.89	157.53	10.41	173.28	11.97	181.15	12.49	189.03	13.01	77	25	123.55	9.03	131.27	9.56	138.99	10.09	154.44	10.62	169.88	12.22	177.60	12.75	185.32	13.28	85	29.4	121.13	9.21	128.70	9.76	136.27	10.30	151.41	10.84	166.55	12.47	174.12	13.01	181.69	13.55	95	35	118.75	9.31	126.17	9.86	133.60	10.40	148.44	10.95	163.28	12.59	170.71	13.14	178.13	13.69	105	41	112.81	9.80	119.87	10.37	126.92	10.95	141.02	11.53	155.12	13.26	162.17	13.83	169.22	14.41	109	42.7	106.88	10.34	113.56	10.95	120.24	11.56	133.60	12.17	146.96	13.99	153.64	14.60	160.32	15.21	115	46	107.97	10.07	114.72	10.66	121.47	11.25	134.96	11.84	148.46	13.62	155.21	14.21	161.95	14.80	122	50	83.13	11.63	88.32	12.32	93.52	13.00	103.91	13.69	114.30	15.74	119.49	16.43	124.69	17.11	-4	-20	130.92	6.21	139.10	6.58	147.29	6.94	163.65	7.31	180.02	8.40	188.20	8.77	196.38	9.13	5	-15	127.11	6.27	135.05	6.64	143.00	7.01	158.89	7.38	174.77	8.49	182.72	8.86	190.66	9.23	14	-10	123.41	6.40	131.12	6.78	138.83	7.16	154.26	7.53	169.68	8.66	177.40	9.04	185.11	9.41	23	-5	119.81	6.53	127.30	6.92	134.79	7.30	149.77	7.69	164.74	8.84	172.23	9.22	179.72	9.61	32	0	117.46	6.67	124.80	7.06	132.15	7.45	146.83	7.84	161.51	9.02	168.85	9.41	176.19	9.80	41	5	115.16	6.80	122.36	7.20	129.55	7.60	143.95	8.00	158.34	9.20	165.54	9.60	172.74	10.00	50	10	112.90	6.94	119.96	7.35	127.01	7.76	141.13	8.17	155.24	9.39	162.30	9.80	169.35	10.21	65	18.3	110.69	7.08	117.61	7.50	124.52	7.92	138.36	8.33	152.20	9.58	159.11	10.00	166.03	10.42	75	23.8	108.52	7.23	115.30	7.65	122.08	8.08	135.65	8.50	149.21	9.78	155.99	10.20	162.78	10.63	77	25	106.39	7.37	113.04	7.81	119.69	8.24	132.99	8.68	146.29	9.98	152.94	10.41	159.58	10.85	85	29.4	104.30	7.53	110.82	7.97	117.34	8.41	130.38	8.85	143.42	10.18	149.94	10.62	156.46	11.07	95	35	102.26	7.60	108.65	8.05	115.04	8.50	127.82	8.94	140.61	10.28	147.00	10.73	153.39	11.18	105	41	97.15	8.00	103.22	8.47	109.29	8.94	121.43	9.41	133.58	10.83	139.65	11.30	145.72	11.77	109	42.7	92.03	8.45	97.78	8.94	103.54	9.44	115.04	9.94	126.55	11.43	132.30	11.92	138.05	12.42	115	46	95.51	8.65	101.48	9.16	107.45	9.67	119.39	10.18	131.33	11.71	137.30	12.22	143.27	12.73	122	50	71.58	9.50	76.05	10.06	80.53	10.62	89.48	11.18	98.42	12.85	102.90	13.41	107.37	13.97

70%

60%

Combination	Outdoor Ambient Temperature °F DB °C DB	Indoor Ambient Temperature of WB(oC WB)																							
		57(13.9)			61(16.1)			64(17.8)			67(19.4)			70(21.1)			72(22.2)			75 (23.9)					
		TC	PI	KW	TC	PI	KW	TC	PI	KW	TC	PI	KW	TC	PI	KW	TC	PI	KW	TC	PI	KW			
50%	-4	105.58	5.07	112.18	5.37	118.78	5.67	131.98	5.97	145.18	6.86	151.77	7.16	158.37	7.46										
	5	102.51	5.12	108.91	5.42	115.32	5.72	128.13	6.03	140.95	6.93	147.35	7.23	153.76	7.53										
	14	99.52	5.23	105.74	5.53	111.96	5.84	124.40	6.15	136.84	7.07	143.06	7.38	149.28	7.69										
	23	96.62	5.33	102.66	5.65	108.70	5.96	120.78	6.27	132.86	7.22	138.90	7.53	144.93	7.84										
	32	94.73	5.44	100.65	5.76	106.57	6.08	118.41	6.40	130.25	7.36	136.17	7.68	142.09	8.00										
	41	92.87	5.55	98.68	5.88	104.48	6.21	116.09	6.53	127.70	7.51	133.50	7.84	139.31	8.17										
	50	91.05	5.67	96.74	6.00	102.43	6.33	113.81	6.67	125.19	7.67	130.88	8.00	136.57	8.33										
	65	89.26	5.78	94.84	6.12	100.42	6.46	111.58	6.80	122.74	7.82	128.32	8.16	133.90	8.50										
	75	87.51	5.90	92.98	6.25	98.45	6.59	109.39	6.94	120.33	7.98	125.80	8.33	131.27	8.68										
	77	85.80	6.02	91.16	6.37	96.52	6.73	107.25	7.08	117.97	8.14	123.34	8.50	128.70	8.85										
	85	84.12	6.14	89.37	6.50	94.63	6.87	105.15	7.23	115.66	8.31	120.92	8.67	126.17	9.03										
	95	82.47	6.21	87.62	6.57	92.78	6.94	103.08	7.30	113.39	8.40	118.55	8.76	123.70	9.13										
	105	78.34	6.53	83.24	6.92	88.14	7.30	97.93	7.68	107.72	8.84	112.62	9.22	117.52	9.61										
	109	74.22	6.89	78.86	7.30	83.50	7.71	92.78	8.11	102.05	9.33	106.69	9.73	111.33	10.14										
115	73.06	6.71	77.62	7.11	82.19	7.50	91.32	7.90	100.45	9.08	105.02	9.47	109.58	9.87											
122	57.73	7.76	61.33	8.21	64.94	8.67	72.16	9.13	79.37	10.49	82.98	10.95	86.59	11.41											

MVHQ240ME2CA
230v cooling capacity

Combination	Outdoor Ambient Temperature °F DB °C DB	Indoor Ambient Temperature of WB(oC WB)																																																																																																																																																																																																																																																																																																																																																																						
		57(13.9)			61(16.1)			64(17.8)			67(19.4)			70(21.1)			72(22.2)			75 (23.9)																																																																																																																																																																																																																																																																																																																																																				
		TC	KBTU	PI	TC	KBTU	PI	TC	KBTU	PI	TC	KBTU	PI	TC	KBTU	PI	TC	KBTU	PI	TC	KBTU	PI																																																																																																																																																																																																																																																																																																																																																		
130%	-4	244.57	14.88	15.75	259.86	15.75	16.63	305.71	17.50	336.28	20.13	351.57	21.00	366.85	21.88	237.45	15.03	16.80	296.81	17.68	326.49	20.33	341.33	21.22	356.17	22.10	230.53	15.33	17.14	288.16	18.04	316.98	20.75	331.39	21.65	345.80	22.55	223.82	15.65	17.49	279.77	18.41	307.75	21.17	321.74	22.09	335.72	23.01	219.43	15.97	17.85	274.28	18.78	301.71	21.60	315.43	22.54	329.14	23.48	215.12	16.29	18.21	268.91	19.17	295.80	22.04	309.24	23.00	322.69	23.96	210.91	16.63	18.58	263.63	19.56	290.00	22.49	303.18	23.47	316.36	24.45	206.77	16.96	18.96	258.46	19.96	284.31	22.95	297.23	23.95	310.16	24.95	202.72	17.31	19.35	253.40	20.37	278.74	23.42	291.41	24.44	304.08	25.46	198.74	17.66	19.74	248.43	20.78	273.27	23.90	285.69	24.94	298.11	25.98	194.85	18.02	20.15	243.56	21.21	267.91	24.39	280.09	25.45	292.27	26.51	191.02	18.21	20.35	238.78	21.42	262.66	24.63	274.60	25.70	286.54	26.78	181.47	19.17	21.42	226.84	22.55	249.53	25.93	260.87	27.06	272.21	28.18	171.92	20.23	22.61	193.41	22.61	236.39	27.37	247.14	28.56	257.88	29.75	163.62	20.73	23.17	184.07	23.17	224.97	28.04	235.20	29.26	245.43	30.48	133.72	22.76	25.44	150.43	26.78	183.86	30.79	192.22	32.13	200.58	33.47	240.00	14.73	16.47	270.00	17.33	300.00	19.93	345.00	20.80	360.00	21.66	233.01	14.88	16.63	262.13	17.51	320.39	20.13	334.95	21.01	349.51	21.88	226.22	15.18	16.97	254.50	17.86	311.05	20.54	325.19	21.44	339.33	22.33	219.63	15.49	17.32	274.54	18.23	301.99	20.96	315.72	21.87	329.45	22.79	215.33	15.81	17.67	269.16	18.60	296.07	21.39	309.53	22.32	322.99	23.25	211.10	16.13	18.03	237.49	18.98	290.27	21.83	303.46	22.78	316.66	23.73	206.96	16.46	18.40	232.84	19.37	284.58	22.27	297.51	23.24	310.45	24.21	202.91	16.80	18.77	228.27	19.76	279.00	22.73	291.68	23.72	304.36	24.70	198.93	17.14	19.16	248.66	20.17	273.53	23.19	285.96	24.20	298.39	25.21	195.03	17.49	19.55	243.78	20.58	268.16	23.66	280.35	24.69	292.54	25.72	191.20	17.85	19.95	239.00	21.00	262.90	24.15	274.85	25.20	286.80	26.25	187.45	18.03	20.15	234.32	21.21	257.75	24.39	269.47	25.45	281.18	26.51	178.08	18.98	20.09	200.34	21.21	222.60	22.33	244.86	25.68	255.99	26.79	267.12	27.91	168.71	20.03	22.39	189.80	23.57	231.97	27.10	242.52	28.28	253.06	29.46	157.32	20.53	22.94	176.99	22.94	196.65	24.15	216.32	27.77	226.15	28.98	235.99	30.18	131.22	22.54	25.19	147.62	26.51	180.42	30.49	188.63	31.82	196.83	33.14
	120%	-4	240.00	14.73	15.60	255.00	15.60	270.00	16.47	300.00	17.33	330.00	19.93	345.00	20.80	360.00	21.66	240.00	14.88	16.63	291.26	17.51	320.39	20.13	334.95	21.01	349.51	21.88	240.00	15.18	16.97	282.78	17.86	311.05	20.54	325.19	21.44	339.33	22.33	240.00	15.49	17.32	274.54	18.23	301.99	20.96	315.72	21.87	329.45	22.79	240.00	15.81	17.67	269.16	18.60	296.07	21.39	309.53	22.32	322.99	23.25	240.00	16.13	18.03	237.49	18.98	290.27	21.83	303.46	22.78	316.66	23.73	240.00	16.46	18.40	232.84	19.37	284.58	22.27	297.51	23.24	310.45	24.21	240.00	16.80	18.77	228.27	19.76	279.00	22.73	291.68	23.72	304.36	24.70	240.00	17.14	19.16	248.66	20.17	273.53	23.19	285.96	24.20	298.39	25.21	240.00	17.49	19.55	243.78	20.58	268.16	23.66	280.35	24.69	292.54	25.72	240.00	17.85	19.95	239.00	21.00	262.90	24.15	274.85	25.20	286.80	26.25	240.00	18.03	20.15	234.32	21.21	257.75	24.39	269.47	25.45	281.18	26.51	240.00	18.98	20.09	200.34	21.21	222.60	22.33	244.86	25.68	255.99	26.79	267.12	27.91	240.00	20.03	22.39	189.80	23.57	231.97	27.10	242.52	28.28	253.06	29.46	240.00	20.53	22.94	176.99	22.94	196.65	24.15	216.32	27.77	226.15	28.98	235.99	30.18	240.00	22.54	25.19	147.62	26.51	180.42	30.49	188.63	31.82	196.83	33.14																																																																																																																																																																														

Combination	Outdoor Ambient Temperature °F DB °C DB	Indoor Ambient Temperature of WB(oC WB)																																																																																																																																																																																																																																																																																																																																																																																																																																																																			
		57(13.9)				61(16.1)				64(17.8)				67(19.4)				70(21.1)				72(22.2)				75 (23.9)																																																																																																																																																																																																																																																																																																																																																																																																																																											
		TC	PI	KBTU	kW	TC	PI	KBTU	kW	TC	PI	KBTU	kW	TC	PI	KBTU	kW	TC	PI	KBTU	kW	TC	PI	KBTU	kW	TC	PI	KBTU	kW																																																																																																																																																																																																																																																																																																																																																																																																																																								
110%	-4	-20	235.43	14.73	250.14	15.60	264.86	16.47	294.28	17.33	323.71	19.93	338.43	20.80	353.14	21.66	228.57	14.88	242.86	15.76	257.14	16.63	285.71	17.51	314.28	20.13	328.57	21.01	342.85	21.88	221.91	15.18	235.78	16.08	249.65	16.97	277.39	17.86	305.13	20.54	319.00	21.44	332.87	22.33	215.45	15.49	228.91	16.41	242.38	17.32	269.31	18.23	296.24	20.96	309.71	21.87	323.17	22.79	211.22	15.81	224.43	16.74	237.63	17.67	264.03	18.60	290.43	21.39	303.64	22.32	316.84	23.25	207.08	16.13	220.03	17.08	232.97	18.03	258.85	18.98	284.74	21.83	297.68	22.78	310.62	23.73	203.02	16.46	215.71	17.43	228.40	18.40	253.78	19.37	279.16	22.27	291.84	23.24	304.53	24.21	199.04	16.80	211.48	17.79	223.92	18.77	248.80	19.76	273.68	22.73	286.12	23.72	298.56	24.70	195.14	17.14	207.33	18.15	219.53	19.16	243.92	20.17	268.32	23.19	280.51	24.20	292.71	25.21	191.31	17.49	203.27	18.52	215.23	19.55	239.14	20.58	263.05	23.66	275.01	24.69	286.97	25.72	187.56	17.85	199.28	18.90	211.01	19.95	234.45	21.00	257.90	24.15	269.62	25.20	281.34	26.25	183.88	18.03	195.38	19.09	206.87	20.15	229.85	21.21	252.84	24.39	264.33	25.45	275.83	26.51	174.69	18.98	185.61	20.09	196.53	21.21	218.36	22.33	240.20	25.68	251.12	26.79	262.03	27.91	165.50	20.03	175.84	21.21	186.18	22.39	206.87	23.57	227.56	27.10	237.90	28.28	248.24	29.46	154.33	20.53	163.97	21.73	173.62	22.94	192.91	24.15	212.20	27.77	221.85	28.98	231.49	30.18	128.72	22.54	136.76	23.86	144.81	25.19	160.90	26.51	176.99	30.49	185.03	31.82	193.08	33.14	100%	-4	-20	228.57	14.59	242.86	15.44	257.14	16.30	285.71	17.16	314.28	19.73	328.57	20.59	342.85	21.45	221.91	14.73	235.78	15.60	249.65	16.47	277.39	17.33	305.13	19.93	319.00	20.80	332.87	21.67	215.45	15.03	228.91	15.92	242.38	16.80	269.31	17.69	296.24	20.34	309.71	21.22	323.17	22.11	209.17	15.34	222.25	16.24	235.32	17.15	261.47	18.05	287.61	20.76	300.69	21.66	313.76	22.56	205.07	15.65	217.89	16.57	230.71	17.50	256.34	18.42	281.97	21.18	294.79	22.10	307.61	23.02	201.05	15.97	213.62	16.91	226.18	17.85	251.31	18.79	276.45	21.61	289.01	22.55	301.58	23.49	197.11	16.30	209.43	17.26	221.75	18.22	246.39	19.18	271.02	22.05	283.34	23.01	295.66	23.97	193.24	16.63	205.32	17.61	217.40	18.59	241.56	19.57	265.71	22.50	277.79	23.48	289.87	24.46	189.46	16.97	201.30	17.97	213.14	18.97	236.82	19.97	260.50	22.96	272.34	23.96	284.18	24.96	185.74	17.32	197.35	18.34	208.96	19.36	232.18	20.37	255.39	23.43	267.00	24.45	278.61	25.47	182.10	17.67	193.48	18.71	204.86	19.75	227.62	20.79	250.39	23.91	261.77	24.95	273.15	25.99	178.53	17.85	189.69	18.90	200.84	19.95	223.16	21.00	245.48	24.15	256.63	25.20	267.79	26.25	169.60	18.79	180.20	19.89	190.80	21.00	212.00	22.11	233.20	25.42	243.80	26.53	254.40	27.63	160.67	19.83	170.72	21.00	180.76	22.17	200.84	23.33	220.93	26.83	230.97	28.00	241.01	29.17	149.83	20.32	159.20	21.52	168.56	22.71	187.29	23.91	206.02	27.49	215.38	28.69	224.75	29.89	124.97	22.31	132.78	23.63	140.59	24.94	156.21	26.25	171.83	30.19	179.64	31.50	187.45	32.81

Combination	Outdoor Ambient Temperature °F DB °C DB	Indoor Ambient Temperature of WB(oC WB)																					
		57(13.9)			61(16.1)			64(17.8)			67(19.4)			70(21.1)			72(22.2)			75 (23.9)			
		TC	KBTU	PI	TC	KBTU	PI	TC	KBTU	PI	TC	KBTU	PI	TC	KBTU	PI	TC	KBTU	PI	TC	KBTU	PI	
90%	-4	205.71	12.11	218.57	12.82	231.43	13.53	257.14	14.24	282.86	16.38	295.71	17.09	308.57	17.80								
	5	199.72	12.23	212.20	12.95	224.69	13.67	249.65	14.39	274.62	16.54	287.10	17.26	299.58	17.98								
	14	193.90	12.48	206.02	13.21	218.14	13.95	242.38	14.68	266.62	16.88	278.74	17.62	290.86	18.35								
	23	188.26	12.73	200.02	13.48	211.79	14.23	235.32	14.98	258.85	17.23	270.62	17.98	282.38	18.73								
	32	184.57	12.99	196.10	13.76	207.64	14.52	230.71	15.29	253.78	17.58	265.31	18.34	276.85	19.11								
	41	180.95	13.26	192.26	14.04	203.56	14.82	226.18	15.60	248.80	17.94	260.11	18.72	271.42	19.50								
	50	177.40	13.53	188.49	14.32	199.57	15.12	221.75	15.92	243.92	18.30	255.01	19.10	266.10	19.90								
	65	173.92	13.80	184.79	14.62	195.66	15.43	217.40	16.24	239.14	18.68	250.01	19.49	260.88	20.30								
	75	170.51	14.09	181.17	14.92	191.82	15.74	213.14	16.57	234.45	19.06	245.11	19.89	255.76	20.72								
	77	167.17	14.37	177.61	15.22	188.06	16.07	208.96	16.91	229.85	19.45	240.30	20.29	250.75	21.14								
	85	163.89	14.67	174.13	15.53	184.37	16.39	204.86	17.26	225.35	19.84	235.59	20.71	245.83	21.57								
	95	160.67	14.82	170.72	15.69	180.76	16.56	200.84	17.43	220.93	20.04	230.97	20.92	241.01	21.79								
	105	152.64	15.60	162.18	16.51	171.72	17.43	190.80	18.35	209.88	21.10	219.42	22.02	228.96	22.93								
	109	144.61	16.46	153.65	17.43	162.68	18.40	180.76	19.37	198.84	22.27	207.87	23.24	216.91	24.21								
	115	139.34	16.26	148.05	17.21	156.76	18.17	174.18	19.13	191.60	22.00	200.31	22.95	209.02	23.91								
122	112.47	18.52	119.50	19.61	126.53	20.70	140.59	21.79	154.65	25.06	161.68	26.15	168.71	27.23									
80%	-4	187.43	10.36	199.14	10.97	210.86	11.57	234.28	12.18	257.71	14.01	269.43	14.62	281.14	15.23								
	5	181.97	10.46	193.34	11.08	204.71	11.69	227.46	12.31	250.21	14.15	261.58	14.77	272.95	15.38								
	14	176.67	10.67	187.71	11.30	198.75	11.93	220.84	12.56	242.92	14.44	253.96	15.07	265.00	15.70								
	23	171.52	10.89	182.24	11.53	192.96	12.17	214.40	12.81	235.84	14.74	246.56	15.38	257.28	16.02								
	32	168.16	11.11	178.67	11.77	189.18	12.42	210.20	13.08	231.22	15.04	241.73	15.69	252.24	16.34								
	41	164.86	11.34	175.17	12.01	185.47	12.68	206.08	13.34	226.69	15.34	236.99	16.01	247.29	16.68								
	50	161.63	11.57	171.73	12.25	181.83	12.93	202.04	13.61	222.24	15.66	232.34	16.34	242.44	17.02								
	65	158.46	11.81	168.36	12.50	178.27	13.20	198.08	13.89	217.88	15.98	227.79	16.67	237.69	17.37								
	75	155.35	12.05	165.06	12.76	174.77	13.47	194.19	14.18	213.61	16.30	223.32	17.01	233.03	17.72								
	77	152.31	12.30	161.83	13.02	171.35	13.74	190.38	14.47	209.42	16.64	218.94	17.36	228.46	18.08								
	85	149.32	12.55	158.65	13.28	167.99	14.02	186.65	14.76	205.32	16.98	214.65	17.71	223.98	18.45								
	95	146.39	12.67	155.54	13.42	164.69	14.16	182.99	14.91	201.29	17.15	210.44	17.89	219.59	18.64								
	105	139.07	13.34	147.77	14.13	156.46	14.91	173.84	15.69	191.23	18.05	199.92	18.83	208.61	19.62								
	109	131.75	14.08	139.99	14.91	148.22	15.74	164.69	16.57	181.16	19.05	189.40	19.88	197.63	20.71								
	115	133.35	14.43	141.69	15.28	150.02	16.13	166.69	16.98	183.36	19.52	191.69	20.37	200.03	21.22								
122	102.47	15.84	108.88	16.77	115.28	17.71	128.09	18.64	140.90	21.43	147.31	22.37	153.71	23.30									

Combination	Outdoor Ambient Temperature		Indoor Ambient Temperature of WB(oC WB)																																	
			57(13.9)				61(16.1)				64(17.8)				67(19.4)				70(21.1)				72(22.2)				75 (23.9)									
	°F DB	°C DB	TC	KBTU	PI	KW	TC	KBTU	PI	KW	TC	KBTU	PI	KW	TC	KBTU	PI	KW	TC	KBTU	PI	KW	TC	KBTU	PI	KW	TC	KBTU	PI	KW						
	-4	-20	164.57	8.75	174.86	9.27	185.14	9.78	205.71	10.30	226.28	11.84	236.57	12.36	246.86	12.87																				
	5	-15	159.78	8.84	169.76	9.36	179.75	9.88	199.72	10.40	219.69	11.96	229.68	12.48	239.67	13.00																				
	14	-10	155.12	9.02	164.82	9.55	174.51	10.08	193.90	10.61	213.29	12.20	222.99	12.73	232.68	13.27																				
	23	-5	150.61	9.20	160.02	9.75	169.43	10.29	188.26	10.83	207.08	12.45	216.49	12.99	225.91	13.54																				
	32	0	147.65	9.39	156.88	9.94	166.11	10.50	184.57	11.05	203.02	12.71	212.25	13.26	221.48	13.81																				
	41	5	144.76	9.58	153.80	10.15	162.85	10.71	180.95	11.28	199.04	12.97	208.09	13.53	217.14	14.09																				
	50	10	141.92	9.78	150.79	10.36	159.66	10.93	177.40	11.51	195.14	13.23	204.01	13.81	212.88	14.38																				
	65	18.3	139.14	9.98	147.83	10.57	156.53	11.15	173.92	11.74	191.31	13.50	200.01	14.09	208.70	14.68																				
	75	23.8	136.41	10.18	144.93	10.78	153.46	11.38	170.51	11.98	187.56	13.78	196.09	14.38	204.61	14.98																				
	77	25	133.73	10.39	142.09	11.00	150.45	11.61	167.17	12.22	183.88	14.06	192.24	14.67	200.60	15.28																				
	85	29.4	131.11	10.60	139.31	11.23	147.50	11.85	163.89	12.47	180.28	14.35	188.47	14.97	196.67	15.59																				
	95	35	128.54	10.71	136.57	11.34	144.61	11.97	160.67	12.60	176.74	14.49	184.78	15.12	192.81	15.75																				
	105	41	122.11	11.27	129.75	11.94	137.38	12.60	152.64	13.26	167.91	15.25	175.54	15.92	183.17	16.58																				
	109	42.7	115.69	11.90	122.92	12.60	130.15	13.30	144.61	14.00	159.07	16.10	166.30	16.80	173.53	17.50																				
	115	46	116.87	11.58	124.17	12.27	131.48	12.95	146.09	13.63	160.70	15.67	168.00	16.35	175.30	17.03																				
	122	50	89.98	13.39	95.60	14.18	101.23	14.96	112.47	15.75	123.72	18.11	129.34	18.90	134.97	19.69																				
	-4	-20	141.71	7.15	150.57	7.57	159.43	7.99	177.14	8.41	194.86	9.67	203.71	10.09	212.57	10.51																				
	5	-15	137.59	7.22	146.18	7.64	154.78	8.07	171.98	8.49	189.18	9.77	197.78	10.19	206.38	10.62																				
	14	-10	133.58	7.37	141.93	7.80	150.28	8.23	166.97	8.67	183.67	9.97	192.02	10.40	200.37	10.83																				
	23	-5	129.69	7.52	137.79	7.96	145.90	8.40	162.11	8.84	178.32	10.17	186.43	10.61	194.53	11.05																				
	32	0	127.14	7.67	135.09	8.12	143.04	8.57	158.93	9.02	174.82	10.38	182.77	10.83	190.72	11.28																				
	41	5	124.65	7.83	132.44	8.29	140.23	8.75	155.81	9.21	171.40	10.59	179.19	11.05	186.98	11.51																				
	50	10	122.21	7.99	129.85	8.46	137.48	8.93	152.76	9.40	168.04	10.81	175.67	11.28	183.31	11.75																				
	65	18.3	119.81	8.15	127.30	8.63	134.79	9.11	149.76	9.59	164.74	11.03	172.23	11.51	179.72	11.99																				
	75	23.8	117.46	8.32	124.80	8.81	132.14	9.29	146.83	9.78	161.51	11.25	168.85	11.74	176.19	12.23																				
	77	25	115.16	8.49	122.36	8.99	129.55	9.48	143.95	9.98	158.34	11.48	165.54	11.98	172.74	12.48																				
	85	29.4	112.90	8.66	119.96	9.17	127.01	9.68	141.13	10.19	155.24	11.72	162.30	12.22	169.35	12.73																				
	95	35	110.69	8.75	117.61	9.26	124.52	9.78	138.36	10.29	152.19	11.83	159.11	12.35	166.03	12.86																				
	105	41	105.15	9.21	111.72	9.75	118.30	10.29	131.44	10.83	144.59	12.46	151.16	13.00	157.73	13.54																				
	109	42.7	99.62	9.72	105.84	10.29	112.07	10.86	124.52	11.43	136.98	13.15	143.20	13.72	149.43	14.29																				
	115	46	103.38	9.96	109.85	10.54	116.31	11.13	129.23	11.72	142.15	13.47	148.61	14.06	155.08	14.64																				
	122	50	77.48	10.93	82.32	11.58	87.17	12.22	96.85	12.86	106.54	14.79	111.38	15.44	116.22	16.08																				

70%

60%

Combination	Outdoor Ambient Temperature °F DB °C DB	Indoor Ambient Temperature of F WB(oC WB)																								
		57(13.9)			61(16.1)			64(17.8)			67(19.4)			70(21.1)			72(22.2)			75 (23.9)						
		TC	KBTU	PI	TC	KBTU	PI	TC	KBTU	PI	TC	KBTU	PI	TC	KBTU	PI	TC	KBTU	PI	TC	KBTU	PI	TC	KBTU	PI	
50%	-4	114.28	5.83	6.18	121.43	6.18	128.57	6.52	142.86	6.86	157.14	7.89	164.28	8.24	171.43	8.58										
	5	110.96	5.89	6.24	117.89	6.24	124.83	6.59	138.70	6.93	152.56	7.97	159.50	8.32	166.43	8.67										
	14	107.72	6.01	6.37	114.46	6.37	121.19	6.72	134.66	7.07	148.12	8.14	154.85	8.49	161.59	8.84										
	23	104.59	6.14	6.50	111.12	6.50	117.66	6.86	130.73	7.22	143.81	8.30	150.34	8.66	156.88	9.02										
	32	102.54	6.26	6.63	108.94	6.63	115.35	7.00	128.17	7.37	140.99	8.47	147.40	8.84	153.80	9.21										
	41	100.53	6.39	6.77	106.81	6.77	113.09	7.14	125.66	7.52	138.22	8.64	144.51	9.02	150.79	9.40										
	50	98.55	6.52	6.90	104.71	6.90	110.87	7.29	123.19	7.67	135.51	8.82	141.67	9.20	147.83	9.59										
	65	96.62	6.65	7.04	102.66	7.04	108.70	7.44	120.78	7.83	132.86	9.00	138.89	9.39	144.93	9.78										
	75	94.73	6.79	7.19	100.65	7.19	106.57	7.59	118.41	7.99	130.25	9.18	136.17	9.58	142.09	9.98										
	77	92.87	6.93	7.33	98.67	7.33	104.48	7.74	116.09	8.15	127.70	9.37	133.50	9.78	139.31	10.19										
	85	91.05	7.07	7.48	96.74	7.48	102.43	7.90	113.81	8.32	125.19	9.56	130.88	9.98	136.57	10.40										
	95	89.26	7.14	7.56	94.84	7.56	100.42	7.98	111.58	8.40	122.74	9.66	128.32	10.08	133.90	10.50										
105	84.80	7.52	7.96	90.10	7.96	95.40	8.40	106.00	8.84	116.60	10.17	121.90	10.61	127.20	11.05											
109	80.34	7.93	8.40	85.36	8.40	90.38	8.87	100.42	9.33	110.46	10.73	115.49	11.20	120.51	11.67											
115	79.08	7.72	8.18	84.02	8.18	88.96	8.63	98.85	9.09	108.73	10.45	113.67	10.90	118.62	11.36											
122	62.48	8.93	9.45	66.39	9.45	70.30	9.98	78.11	10.50	85.92	12.08	89.82	12.60	93.73	13.13											

Combination	Outdoor Ambient Temperature °F DB °C DB	Indoor Ambient Temperature °F WB(°C WB)																								
		59(15)			64(17.8)			68(20)			70(21.1)			72(22.2)			74(23.3)			75(23.9)			80(26.7)			
		TC	KBTU	PI kW	TC	KBTU	PI kW	TC	KBTU	PI kW	TC	KBTU	PI kW	TC	KBTU	PI kW	TC	KBTU	PI kW	TC	KBTU	PI kW	TC	KBTU	PI kW	
	-22	-30	8.43	30.28	8.43	28.30	7.88	26.46	7.37	24.02	6.69	23.87	6.65	22.89	6.37	21.16	5.89	19.57	5.45							
	-13	-25	11.65	61.56	11.65	57.55	12.23	53.79	12.84	48.84	13.40	48.54	13.62	46.54	13.75	43.04	14.57	39.80	15.43							
	-4	-20	11.31	71.65	11.88	66.98	11.88	62.61	12.47	56.84	13.01	56.50	13.22	54.17	13.35	50.09	14.14	46.32	14.98							
	-2.2	-19	10.95	72.66	11.50	67.92	11.50	63.49	12.07	57.64	12.59	57.29	12.79	54.93	12.92	50.80	13.69	46.97	14.50							
	4.1	-15.5	10.82	81.75	11.36	76.42	11.36	71.43	11.93	64.85	12.45	64.45	12.65	61.80	12.77	57.15	13.53	52.84	14.33							
	12	-11.1	9.83	83.77	10.27	78.30	10.27	73.20	10.73	66.45	11.20	66.05	11.31	63.32	11.71	58.56	12.35	54.15	13.02							
	13.1	-10.5	8.77	85.78	9.15	80.19	9.15	74.96	9.56	68.05	9.96	67.64	10.18	64.85	10.37	59.97	10.80	55.45	11.24							
	15	-9.4	5.14	70.65	5.27	70.75	5.27	66.14	5.41	60.05	5.70	59.68	5.79	57.22	5.96	52.91	6.19	48.93	6.43							
	18	-7.8	5.45	71.34	5.69	71.34	5.69	71.34	5.94	72.06	6.19	71.34	6.29	71.34	6.37	71.34	6.67	71.34	6.97							
	21	-6.1	5.71	72.13	5.95	71.96	5.95	71.80	6.19	72.86	6.44	71.80	6.55	71.71	6.62	71.55	6.77	71.38	6.92							
	24	-4.4	5.98	74.56	6.25	73.74	6.25	72.92	6.53	73.66	6.76	72.51	6.85	72.10	6.61	71.11	6.44	70.14	6.27							
	28	-2.2	6.37	81.85	6.54	78.51	6.54	75.30	6.70	75.26	6.71	73.70	6.61	72.66	6.40	70.58	5.84	68.55	5.33							
	32	0	6.63	84.58	6.65	82.94	6.65	81.33	6.67	76.86	6.66	75.69	6.37	73.92	6.02	70.22	5.33	66.70	4.72							
	40	4.4	7.03	92.09	6.91	88.19	6.91	84.45	6.79	78.46	6.26	77.96	5.96	75.20	5.64	70.32	4.93	65.77	4.31							
	43	6.1	7.92	100.92	7.20	94.34	7.20	88.19	6.55	80.06	5.56	79.57	5.58	76.29	5.26	70.55	4.61	65.24	4.04							
	47	8.3	7.34	100.92	6.73	94.34	6.73	88.19	6.17	81.50	5.42	79.57	5.30	76.29	5.05	70.55	4.42	65.24	3.86							
	50	10	6.96	100.92	6.38	94.34	6.38	88.19	5.84	81.51	5.35	79.57	5.10	76.29	4.86	70.55	4.18	65.24	3.59							
	53	11.7	6.85	100.92	6.29	94.34	6.29	88.19	5.77	81.51	5.28	79.57	5.07	76.29	4.85	70.55	4.18	65.24	3.61							
	56	13.3	6.87	100.92	6.27	94.34	6.27	88.19	5.72	81.51	5.29	79.57	5.05	76.29	4.83	70.55	4.14	65.24	3.55							
	57	13.9	6.82	100.92	6.23	94.34	6.23	88.19	5.69	81.51	5.23	79.57	4.80	76.29	4.77	70.55	3.93	65.24	3.24							
	60	15.6	6.81	100.92	6.19	94.34	6.19	88.19	5.62	81.51	5.21	79.57	4.78	76.29	4.76	70.55	3.90	65.24	3.21							

130%

Combination	Outdoor Ambient Temperature		Indoor Ambient Temperature °F WB(°C WB)																							
			59(15)			64(17.8)			68(20)			70(21.1)			72(22.2)			74(23.3)			75(23.9)			80(26.7)		
			°F DB	°C DB	TC	PI	KW	TC	PI	KW	TC	PI	KW	TC	PI	KW	TC	PI	KW	TC	PI	KW	TC	PI	KW	
	-22	-30	29.99	8.35	28.03	7.80	26.20	7.30	23.79	6.62	23.64	6.58	22.67	6.31	20.96	5.84	19.38	5.40								
	-13	-25	60.97	11.77	56.99	12.36	53.28	12.98	48.37	13.54	48.07	13.76	46.09	13.90	42.62	14.72	39.41	15.59								
	-4	-20	70.97	11.43	66.34	12.00	62.01	12.60	56.30	13.14	55.95	13.35	53.65	13.49	49.61	14.29	45.87	15.14								
	-2.2	-19	71.97	11.06	67.27	11.61	62.88	12.19	57.09	12.72	56.74	12.93	54.40	13.06	50.31	13.83	46.52	14.65								
	4.1	-15.5	80.96	10.93	75.68	11.48	70.74	12.05	64.23	12.57	63.83	12.78	61.20	12.91	56.60	13.67	52.34	14.48								
	12	-11.1	82.96	9.93	77.55	10.37	72.49	10.84	65.81	11.32	65.41	11.42	62.71	11.83	57.99	12.47	53.63	13.15								
	13.1	-10.5	84.96	8.86	79.42	9.25	74.24	9.66	67.40	10.06	66.99	10.29	64.22	10.48	59.39	10.91	54.92	11.35								
	15	-9.4	69.97	5.20	65.40	5.33	61.14	5.47	55.50	5.76	55.17	5.85	52.89	6.02	48.91	6.25	45.23	6.50								
	18	-7.8	70.65	5.51	70.65	5.75	70.65	6.01	71.36	6.26	70.65	6.35	70.65	6.44	70.65	6.73	70.65	7.04								
	21	-6.1	71.44	5.77	71.27	6.01	71.11	6.26	72.16	6.50	71.11	6.61	71.02	6.69	70.86	6.84	70.70	6.99								
	24	-4.4	73.85	6.04	73.03	6.31	72.21	6.60	72.95	6.83	71.81	6.92	71.40	6.68	70.43	6.50	69.47	6.33								
	28	-2.2	81.06	6.44	77.75	6.60	74.58	6.77	74.53	6.78	72.99	6.68	71.96	6.47	69.90	5.90	67.89	5.39								
	32	0	83.77	6.70	82.14	6.72	80.55	6.74	76.12	6.73	74.97	6.43	73.21	6.08	69.54	5.39	66.06	4.77								
	40	4.4	91.21	7.10	87.34	6.98	83.64	6.86	77.71	6.33	77.21	6.02	74.47	5.69	69.65	4.98	65.14	4.35								
	43	6.1	99.95	8.00	93.43	7.28	87.34	6.62	79.29	5.62	78.81	5.64	75.56	5.31	69.87	4.65	64.61	4.08								
	47	8.3	99.95	7.41	93.43	6.80	87.34	6.23	80.72	5.47	78.81	5.36	75.56	5.10	69.87	4.46	64.61	3.90								
	50	10	99.95	7.04	93.43	6.44	87.34	5.90	80.72	5.41	78.81	5.15	75.56	4.91	69.87	4.22	64.61	3.63								
	53	11.7	99.95	6.92	93.43	6.35	87.34	5.83	80.72	5.33	78.81	5.12	75.56	4.90	69.87	4.23	64.61	3.65								
	56	13.3	99.95	6.94	93.43	6.33	87.34	5.77	80.72	5.35	78.81	5.10	75.56	4.88	69.87	4.18	64.61	3.59								
	57	13.9	99.95	6.89	93.43	6.29	87.34	5.75	80.72	5.29	78.81	4.85	75.56	4.82	69.87	3.97	64.61	3.28								
	60	15.6	99.95	6.88	93.43	6.25	87.34	5.68	80.72	5.26	78.81	4.83	75.56	4.80	69.87	3.94	64.61	3.24								

120%

Combination	Outdoor Ambient Temperature °C DB		Indoor Ambient Temperature °F WB(°C WB)																																																																																																																																																																																																																																																																																																																																															
			59(15)						64(17.8)						68(20)						70(21.1)						72(22.2)						74(23.3)						75(23.9)						80(26.7)																																																																																																																																																																																																																																																																																																					
			TC	PI	KW	KBTU	TC	PI	KW	KBTU	TC	PI	KW	KBTU	TC	PI	KW	KBTU	TC	PI	KW	KBTU	TC	PI	KW	KBTU	TC	PI	KW	KBTU	TC	PI	KW	KBTU	TC	PI	KW	KBTU																																																																																																																																																																																																																																																																																																												
	-22	-30	29.40	8.19	27.49	7.65	25.69	7.15	23.33	6.49	23.18	6.45	22.23	6.19	20.55	5.72	19.01	5.29	59.79	11.89	55.89	12.49	52.24	13.11	47.43	13.67	47.14	13.90	45.20	14.04	41.79	14.87	38.65	15.75	69.59	11.55	65.05	12.12	60.81	12.73	55.20	13.28	54.87	13.49	52.61	13.63	48.65	14.44	44.98	15.29	70.57	11.17	65.97	11.73	61.66	12.32	55.98	12.85	55.64	13.06	53.35	13.19	49.33	13.97	45.62	14.80	79.39	11.04	74.21	11.60	69.37	12.17	62.98	12.70	62.60	12.91	60.01	13.04	55.50	13.81	51.32	14.63	81.35	10.03	76.04	10.48	71.08	10.95	64.53	11.43	64.14	11.54	61.50	11.95	56.87	12.60	52.59	13.28	83.31	8.95	77.88	9.34	72.80	9.75	66.09	10.16	65.69	10.39	62.98	10.58	58.24	11.02	53.85	11.47	68.61	5.25	64.13	5.38	59.95	5.52	54.43	5.82	54.09	5.91	51.86	6.08	47.96	6.32	44.35	6.57	69.28	5.56	69.28	5.81	69.28	6.07	69.98	6.32	69.28	6.42	69.28	6.50	69.28	6.80	69.28	7.11	70.05	5.83	69.89	6.07	69.73	6.32	70.75	6.57	69.73	6.68	69.64	6.76	69.48	6.91	69.32	7.06	72.41	6.10	71.61	6.38	70.81	6.66	71.53	6.90	70.41	6.99	70.02	6.75	69.06	6.57	68.12	6.40	79.49	6.50	76.24	6.67	73.13	6.84	73.09	6.85	71.57	6.74	70.56	6.53	68.54	5.96	66.58	5.44	82.14	6.77	80.55	6.79	78.98	6.81	74.64	6.80	73.51	6.50	71.79	6.14	68.19	5.44	64.78	4.82	89.43	7.17	85.65	7.05	82.02	6.93	76.20	6.39	75.71	6.08	73.03	5.75	68.30	5.03	63.87	4.40	98.01	8.08	91.62	7.35	85.64	6.69	77.75	5.67	77.28	5.70	74.09	5.36	68.51	4.70	63.36	4.12	98.01	7.49	91.62	6.87	85.64	6.30	79.15	5.53	77.28	5.41	74.09	5.16	68.51	4.51	63.36	3.94	98.01	7.11	91.62	6.51	85.64	5.96	79.16	5.46	77.28	5.21	74.09	4.96	68.51	4.26	63.36	3.67	98.01	6.99	91.62	6.42	85.64	5.89	79.16	5.39	77.28	5.17	74.09	4.95	68.51	4.27	63.36	3.68	98.01	7.01	91.62	6.39	85.64	5.83	79.16	5.40	77.28	5.15	74.09	4.93	68.51	4.23	63.36	3.62	98.01	6.96	91.62	6.36	85.64	5.81	79.16	5.34	77.28	4.90	74.09	4.87	68.51	4.01	63.36	3.31	98.01	6.95	91.62	6.32	85.64	5.74	79.16	5.31	77.28	4.88	74.09	4.85	68.51	3.98	63.36	3.27

110%

Combination	Outdoor Ambient Temperature		Indoor Ambient Temperature °F WB(°C WB)																							
			59(15)			64(17.8)			68(20)			70(21.1)			72(22.2)			74(23.3)			75(23.9)			80(26.7)		
			TC	PI	KW	TC	PI	KW	TC	PI	KW	TC	PI	KW	TC	PI	KW	TC	PI	KW	TC	PI	KW	TC	PI	KW
	°F DB	°C DB	KBTU	PI	KW	TC	KBTU	PI	KW	TC	KBTU	PI	KW	TC	KBTU	PI	KW	TC	KBTU	PI	KW	TC	KBTU	PI	KW	
	-22	-30	29.11	8.11	7.58	27.21	7.08	25.44	7.08	23.58	6.57	22.95	6.39	22.01	6.13	20.35	5.67	18.82	5.24							
	-13	-25	59.19	12.01	12.61	55.33	13.24	51.73	13.24	46.47	13.81	46.67	14.04	44.75	14.18	41.38	15.02	38.27	15.91							
	-4	-20	68.90	11.66	12.24	64.41	12.86	60.20	12.86	54.32	13.41	54.32	13.63	52.08	13.77	48.16	14.58	44.54	15.44							
	-2.2	-19	69.87	11.29	11.85	65.31	12.44	61.05	12.44	54.52	12.98	55.09	13.19	52.82	13.32	48.84	14.11	45.17	14.95							
	4.1	-15.5	78.60	11.16	11.71	73.48	11.06	68.68	12.30	62.10	12.83	61.98	13.04	59.42	13.17	54.95	13.95	50.81	14.77							
	12	-11.1	80.54	10.13	10.59	75.29	11.06	70.38	11.06	63.13	11.55	63.51	11.66	60.89	12.08	56.30	12.73	52.07	13.42							
	13.1	-10.5	82.48	9.04	9.44	77.10	9.85	72.08	9.85	68.51	10.26	65.04	10.50	62.35	10.69	57.66	11.13	53.32	11.59							
	15	-9.4	67.93	5.30	5.44	63.50	5.58	59.36	5.58	53.99	5.88	53.56	5.97	51.35	6.14	47.49	6.38	43.91	6.63							
	18	-7.8	68.59	5.62	5.87	68.59	6.13	68.59	6.13	69.28	6.38	68.59	6.48	68.59	6.57	68.59	6.87	68.59	7.19							
	21	-6.1	69.35	5.89	6.13	69.19	6.39	69.03	6.39	70.05	6.64	69.03	6.75	68.96	6.82	68.80	6.98	68.64	7.13							
	24	-4.4	71.70	6.17	6.44	70.90	6.73	70.11	6.73	70.82	6.97	69.72	7.06	69.32	6.82	68.38	6.64	67.45	6.46							
	28	-2.2	78.70	6.57	6.74	75.49	6.91	72.41	6.91	72.36	6.91	70.87	6.81	69.86	6.60	67.86	6.02	65.92	5.50							
	32	0	81.33	6.83	6.86	79.75	6.88	78.20	6.88	73.90	6.87	72.78	6.56	71.08	6.20	67.52	5.50	64.13	4.87							
	40	4.4	88.55	7.24	7.12	84.80	7.00	81.21	7.00	75.44	6.45	74.96	6.14	72.30	5.81	67.62	5.08	63.24	4.44							
	43	6.1	97.04	8.16	7.43	90.71	6.76	84.80	6.76	78.61	5.73	76.51	5.75	73.36	5.42	67.84	4.75	62.73	4.16							
	47	8.3	97.04	7.57	6.94	90.71	6.36	84.80	6.36	78.37	5.59	76.51	5.46	73.36	5.21	67.84	4.56	62.73	3.98							
	50	10	97.04	7.18	6.58	90.71	6.02	84.80	6.02	78.37	5.52	76.51	5.26	73.36	5.01	67.84	4.31	62.73	3.70							
	53	11.7	97.04	7.06	6.48	90.71	5.95	84.80	5.95	78.37	5.44	76.51	5.22	73.36	5.00	67.84	4.31	62.73	3.72							
	56	13.3	97.04	7.08	6.46	90.71	5.89	84.80	5.89	78.37	5.46	76.51	5.20	73.36	4.98	67.84	4.27	62.73	3.66							
	57	13.9	97.04	7.03	6.42	90.71	5.86	84.80	5.86	78.37	5.39	76.51	4.95	73.36	4.92	67.84	4.05	62.73	3.34							
	60	15.6	97.04	7.02	6.38	90.71	5.79	84.80	5.79	78.37	5.37	76.51	4.93	73.36	4.90	67.84	4.03	62.73	3.31							

100%

Combination	Outdoor Ambient Temperature		Indoor Ambient Temperature °F WB(°C WB)																																																																																																																																																																																																																																																																																																																																															
			59(15)			64(17.8)			68(20)			70(21.1)			72(22.2)			74(23.3)			75(23.9)			80(26.7)																																																																																																																																																																																																																																																																																																																										
			TC	PI	KW	TC	PI	KW	TC	PI	KW	TC	PI	KW	TC	PI	KW	TC	PI	KW	TC	PI	KW	TC	PI	KW																																																																																																																																																																																																																																																																																																																								
	°F DB	°C DB	26.78	7.46	25.04	6.97	23.40	6.52	21.25	5.92	21.12	5.88	20.25	5.64	18.72	5.21	17.31	4.82	54.46	10.93	50.91	11.48	47.59	12.05	43.20	12.57	42.94	12.77	41.17	12.90	38.07	13.67	35.20	14.48	63.39	10.61	59.25	11.14	55.39	11.70	50.28	12.20	49.98	12.40	47.92	12.53	44.31	13.27	40.98	14.05	64.28	10.27	60.09	10.78	56.17	11.32	50.99	11.81	50.68	12.00	48.59	12.13	44.93	12.84	41.55	13.60	72.31	10.15	67.60	10.66	63.19	11.19	57.37	11.68	57.02	11.86	54.67	11.98	50.55	12.69	46.75	13.45	74.10	9.22	69.27	9.63	64.75	10.06	58.78	10.51	58.43	10.61	56.02	10.99	51.80	11.58	47.90	12.21	75.89	8.23	70.94	8.59	66.31	8.97	60.20	9.34	59.83	9.55	57.37	9.73	53.05	10.13	49.06	10.54	62.49	4.82	58.42	4.95	54.61	5.08	49.58	5.35	49.27	5.43	47.24	5.59	43.69	5.81	40.40	6.04	63.11	5.11	63.11	5.34	63.11	5.58	63.74	5.81	63.11	5.90	63.11	5.98	63.11	6.25	63.11	6.54	63.81	5.36	63.66	5.58	63.51	5.81	64.45	6.04	63.51	6.14	63.44	6.21	63.29	6.35	63.15	6.49	65.96	5.61	65.23	5.86	64.50	6.12	65.16	6.34	64.14	6.43	63.78	6.20	62.91	6.04	62.05	5.88	72.40	5.98	69.45	6.13	66.61	6.29	66.57	6.29	65.20	6.20	64.27	6.00	62.43	5.48	60.64	5.00	74.82	6.22	73.37	6.24	71.95	6.26	67.99	6.25	66.96	5.97	65.39	5.64	62.12	5.00	59.00	4.43	81.46	6.59	78.01	6.48	74.71	6.37	69.41	5.87	68.96	5.59	66.52	5.29	62.21	4.62	58.18	4.04	89.28	7.43	83.45	6.76	78.01	6.15	70.82	5.21	70.39	5.23	67.49	4.93	62.41	4.32	57.71	3.79	89.28	6.89	83.45	6.31	78.01	5.79	72.10	5.08	70.39	4.97	67.49	4.74	62.41	4.15	57.71	3.63	89.28	6.53	83.45	5.98	78.01	5.48	72.10	5.02	70.39	4.79	67.49	4.56	62.41	3.92	57.71	3.37	89.28	6.42	83.45	5.90	78.01	5.42	72.10	4.95	70.39	4.75	67.49	4.55	62.41	3.92	57.71	3.39	89.28	6.44	83.45	5.88	78.01	5.36	72.10	4.96	70.39	4.74	67.49	4.53	62.41	3.88	57.71	3.33	89.28	6.40	83.45	5.84	78.01	5.34	72.10	4.91	70.39	4.50	67.49	4.47	62.41	3.69	57.71	3.04	89.28	6.39	83.45	5.81	78.01	5.27	72.10	4.88	70.39	4.49	67.49	4.46	62.41	3.66	57.71	3.01

Combination	Outdoor Ambient Temperature °F DB °C DB		Indoor Ambient Temperature °F WB(°C WB)																																																																																																																																																																																																																																																																																																																																													
			59(15)			64(17.8)			68(20)			70(21.1)			72(22.2)			74(23.3)			75(23.9)			80(26.7)																																																																																																																																																																																																																																																																																																																								
			TC	PI	KW	TC	PI	KW	TC	PI	KW	TC	PI	KW	TC	PI	KW	TC	PI	KW	TC	PI	KW	TC	PI	KW																																																																																																																																																																																																																																																																																																																						
	-22	-30	23.58	6.57	22.04	6.14	20.61	5.74	5.21	18.59	5.18	17.83	4.96	4.59	15.24	4.24	47.95	8.85	44.82	9.30	41.90	9.76	38.04	10.18	37.81	10.35	36.25	10.45	33.52	11.07	31.00	11.73	55.81	8.60	52.17	9.03	48.77	9.48	44.27	9.88	44.00	10.04	42.19	10.15	39.01	10.75	36.08	11.38	56.59	8.32	52.90	8.74	49.45	9.17	44.90	9.57	44.62	9.72	42.78	9.82	39.56	10.40	36.58	11.02	63.67	8.22	59.52	8.63	55.63	9.06	50.51	9.46	50.20	9.61	48.13	9.71	44.51	10.28	41.16	10.89	65.24	7.47	60.99	7.80	57.01	8.15	51.75	8.51	51.44	8.59	49.32	8.90	45.61	9.38	42.17	9.89	66.81	6.66	62.45	6.96	58.38	7.26	53.00	7.57	52.68	7.74	50.51	7.88	46.71	8.20	43.19	8.54	55.02	3.91	51.43	4.01	48.08	4.11	43.65	4.33	43.38	4.40	41.59	4.53	38.46	4.70	35.57	4.89	55.56	4.14	55.56	4.33	55.56	4.52	56.12	4.71	55.56	4.78	55.56	4.84	55.56	5.06	55.56	5.30	56.18	4.34	56.05	4.52	55.92	4.71	56.74	4.89	55.92	4.97	55.85	5.03	55.72	5.14	55.60	5.26	58.07	4.55	57.43	4.75	56.79	4.96	57.37	5.14	56.47	5.21	56.15	5.03	55.39	4.89	54.63	4.76	63.75	4.84	61.14	4.97	58.65	5.09	58.61	5.10	57.40	5.02	56.59	4.86	54.97	4.44	53.39	4.05	65.88	5.04	64.60	5.05	63.34	5.07	59.86	5.06	58.95	4.84	57.57	4.57	54.69	4.05	51.95	3.59	71.72	5.34	68.69	5.25	65.78	5.16	61.11	4.76	60.72	4.53	58.57	4.28	54.77	3.75	51.22	3.28	78.60	6.02	73.48	5.47	68.68	4.98	62.36	4.22	61.98	4.24	59.42	3.99	54.95	3.50	50.81	3.07	78.60	5.58	73.48	5.11	68.68	4.69	63.48	4.12	61.98	4.03	59.42	3.84	54.95	3.36	50.81	2.94	78.60	5.29	73.48	4.85	68.68	4.44	63.48	4.07	61.98	3.88	59.42	3.69	54.95	3.17	50.81	2.73	78.60	5.20	73.48	4.78	68.68	4.39	63.48	4.01	61.98	3.85	59.42	3.69	54.95	3.18	50.81	2.74	78.60	5.22	73.48	4.76	68.68	4.34	63.48	4.02	61.98	3.84	59.42	3.67	54.95	3.15	50.81	2.70	78.60	5.18	73.48	4.73	68.68	4.32	63.48	3.98	61.98	3.65	59.42	3.62	54.95	2.99	50.81	2.46	78.60	5.18	73.48	4.70	68.68	4.27	63.48	3.96	61.98	3.63	59.42	3.61	54.95	2.97	50.81	2.44

Combination	Outdoor Ambient Temperature °F DB	Indoor Ambient Temperature °F WB(°C WB)																								
		59(15)			64(17.8)			68(20)			70(21.1)			72(22.2)			74(23.3)			75(23.9)			80(26.7)			
		TC	PI	KW	TC	PI	KW	TC	PI	KW	TC	PI	KW	TC	PI	KW	TC	PI	KW	TC	PI	KW	TC	PI	KW	
	-22	20.38	5.67	19.05	5.30	17.81	4.96	16.17	4.50	16.07	4.47	15.41	4.29	14.25	3.97	13.17	3.67									
	-13	41.44	8.41	38.73	8.83	36.21	9.27	32.87	9.67	32.67	9.83	31.32	9.93	28.97	10.51	26.79	11.14									
	-4	48.23	8.16	45.08	8.57	42.14	9.00	38.26	9.39	38.03	9.54	36.46	9.64	33.71	10.21	31.18	10.81									
	-2.2	48.91	7.90	45.72	8.30	42.74	8.71	38.80	9.09	38.56	9.23	36.97	9.33	34.19	9.88	31.62	10.46									
	4.1	55.02	7.81	51.43	8.20	48.08	8.61	43.65	8.98	43.38	9.13	41.59	9.22	38.46	9.76	35.57	10.34									
	12	56.38	7.09	52.70	7.41	49.27	7.74	44.73	8.08	44.45	8.16	42.62	8.45	39.41	8.91	36.45	9.39									
	13.1	57.74	6.33	53.97	6.61	50.45	6.90	45.80	7.18	45.53	7.35	43.65	7.48	40.36	7.79	37.32	8.11									
	15	47.55	3.71	44.45	3.81	41.55	3.90	37.72	4.12	37.49	4.18	35.95	4.30	33.24	4.47	30.74	4.64									
	18	48.02	3.93	48.02	4.11	48.02	4.29	48.50	4.47	48.02	4.54	48.02	4.60	48.02	4.81	48.02	5.03									
	21	48.55	4.12	48.44	4.29	48.32	4.47	49.04	4.64	48.32	4.72	48.27	4.78	48.16	4.88	48.05	4.99									
	24	50.19	4.32	49.63	4.51	49.08	4.71	49.58	4.88	48.80	4.95	48.53	4.77	47.86	4.65	47.21	4.52									
	28	55.09	4.60	52.84	4.72	50.68	4.84	50.65	4.84	49.61	4.77	48.90	4.62	47.50	4.22	46.14	3.85									
	32	56.93	4.78	55.83	4.80	54.74	4.82	51.73	4.81	50.95	4.60	49.76	4.34	47.26	3.85	44.89	3.41									
	40	61.98	5.07	59.36	4.98	56.84	4.90	52.81	4.52	52.47	4.30	50.61	4.07	47.33	3.56	44.27	3.11									
	43	67.93	5.71	63.50	5.20	59.36	4.73	53.89	4.01	53.56	4.03	51.35	3.79	47.49	3.32	43.91	2.91									
	47	67.93	5.30	63.50	4.86	59.36	4.45	54.86	3.91	53.56	3.83	51.35	3.65	47.49	3.19	43.91	2.79									
	50	67.93	5.03	63.50	4.60	59.36	4.22	54.86	3.86	53.56	3.68	51.35	3.51	47.49	3.02	43.91	2.59									
	53	67.93	4.94	63.50	4.54	59.36	4.17	54.86	3.81	53.56	3.66	51.35	3.50	47.49	3.02	43.91	2.60									
	56	67.93	4.96	63.50	4.52	59.36	4.12	54.86	3.82	53.56	3.64	51.35	3.49	47.49	2.99	43.91	2.56									
	57	67.93	4.92	63.50	4.50	59.36	4.10	54.86	3.78	53.56	3.46	51.35	3.44	47.49	2.84	43.91	2.34									
	60	67.93	4.92	63.50	4.47	59.36	4.06	54.86	3.76	53.56	3.45	51.35	3.43	47.49	2.82	43.91	2.31									

70%

Combination	Outdoor Ambient Temperature		Indoor Ambient Temperature °F WB(°C WB)																							
			59(15)			64(17.8)			68(20)			70(21.1)			72(22.2)			74(23.3)			75(23.9)			80(26.7)		
			°F DB	°C DB	TC	PI	KW	TC	PI	KW	TC	PI	KW	TC	PI	KW	TC	PI	KW	TC	PI	KW	TC	PI	KW	
	-22	-30	18.34	5.11	17.14	4.77	16.03	4.46	14.55	4.05	14.46	4.03	13.86	3.86	12.82	3.57	11.86	3.30								
	-13	-25	37.29	7.45	34.86	7.82	32.59	8.21	29.58	8.56	29.40	8.70	28.19	8.79	26.07	9.31	24.11	9.86								
	-4	-20	43.41	7.23	40.58	7.59	37.93	7.97	34.43	8.31	34.22	8.45	32.81	8.54	30.34	9.04	28.06	9.58								
	-2.2	-19	44.02	7.00	41.15	7.35	38.46	7.71	34.92	8.05	34.71	8.18	33.28	8.26	30.77	8.75	28.45	9.27								
	4.1	-15.5	49.52	6.92	46.29	7.26	43.27	7.62	39.28	7.95	39.04	8.08	37.43	8.17	34.62	8.65	32.01	9.16								
	12	-11.1	50.74	6.28	47.43	6.56	44.34	6.86	40.25	7.16	40.01	7.23	38.36	7.49	35.47	7.89	32.80	8.32								
	13.1	-10.5	51.97	5.61	48.58	5.85	45.41	6.11	41.22	6.36	40.97	6.51	39.28	6.63	36.33	6.90	33.59	7.18								
	15	-9.4	42.79	3.29	40.00	3.37	37.39	3.46	33.95	3.65	33.74	3.70	32.35	3.81	29.92	3.96	27.66	4.11								
	18	-7.8	43.21	3.48	43.21	3.64	43.21	3.80	43.65	3.96	43.21	4.02	43.21	4.07	43.21	4.26	43.21	4.46								
	21	-6.1	43.69	3.65	43.59	3.80	43.49	3.96	44.13	4.11	43.49	4.18	43.44	4.23	43.34	4.33	43.24	4.42								
	24	-4.4	45.17	3.82	44.67	3.99	44.17	4.17	44.62	4.32	43.92	4.38	43.67	4.23	43.08	4.12	42.49	4.01								
	28	-2.2	49.58	4.07	47.56	4.18	45.62	4.28	45.59	4.29	44.65	4.22	44.01	4.09	42.75	3.73	41.53	3.41								
	32	0	51.24	4.24	50.24	4.25	49.27	4.27	46.56	4.26	45.85	4.07	44.78	3.85	42.54	3.41	40.40	3.02								
	40	4.4	55.79	4.49	53.42	4.41	51.16	4.34	47.53	4.00	47.22	3.81	45.55	3.60	42.60	3.15	39.84	2.75								
	43	6.1	61.14	5.06	57.15	4.60	53.42	4.19	48.50	3.55	48.20	3.57	46.22	3.36	42.74	2.94	39.52	2.58								
	47	8.3	61.14	4.69	57.15	4.30	53.42	3.94	49.37	3.46	48.20	3.39	46.22	3.23	42.74	2.82	39.52	2.47								
	50	10	61.14	4.45	57.15	4.08	53.42	3.73	49.37	3.42	48.20	3.26	46.22	3.11	42.74	2.67	39.52	2.30								
	53	11.7	61.14	4.38	57.15	4.02	53.42	3.69	49.37	3.37	48.20	3.24	46.22	3.10	42.74	2.67	39.52	2.31								
	56	13.3	61.14	4.39	57.15	4.00	53.42	3.65	49.37	3.38	48.20	3.23	46.22	3.09	42.74	2.65	39.52	2.27								
	57	13.9	61.14	4.36	57.15	3.98	53.42	3.64	49.37	3.34	48.20	3.07	46.22	3.05	42.74	2.51	39.52	2.07								
	60	15.6	61.14	4.36	57.15	3.96	53.42	3.59	49.37	3.33	48.20	3.06	46.22	3.04	42.74	2.50	39.52	2.05								

Combination	Outdoor Ambient Temperature		Indoor Ambient Temperature °F WB(°C WB)																									
			59(15)			64(17.8)			68(20)			70(21.1)			72(22.2)			74(23.3)			75(23.9)			80(26.7)				
	°F DB	°C DB	TC	PI	KW	KBTU	TC	PI	KW	KBTU	TC	PI	KW	KBTU	TC	PI	KW	KBTU	TC	PI	KW	KBTU	TC	PI	KW	KBTU		
	-22	-30	15.72	4.38	4.09	13.74	3.82	3.47	3.45	11.88	3.31	3.31	10.99	3.06	10.16	2.83												
	-13	-25	31.97	7.81	8.20	27.93	8.61	8.98	9.12	24.16	9.22	9.22	22.35	9.76	20.66	10.34												
	-4	-20	37.21	7.58	7.96	32.51	8.36	8.72	8.86	28.13	8.95	8.95	26.01	9.48	24.05	10.04												
	-2.2	-19	37.73	7.34	7.70	32.97	8.09	8.44	8.57	28.52	8.66	8.66	26.37	9.17	24.39	9.72												
	4.1	-15.5	42.45	7.25	7.61	37.09	7.99	8.34	8.47	32.09	8.56	8.56	29.67	9.07	27.44	9.60												
	12	-11.1	43.49	6.59	6.88	38.01	7.19	7.51	7.58	32.88	7.85	7.85	30.40	8.27	28.12	8.72												
	13.1	-10.5	44.54	5.88	6.13	38.92	6.40	6.67	6.82	33.67	6.95	6.95	31.14	7.23	28.79	7.53												
	15	-9.4	36.68	3.45	3.53	32.05	3.63	3.82	3.88	27.73	3.99	3.99	25.64	4.15	23.71	4.31												
	18	-7.8	37.04	3.65	3.81	37.04	3.98	3.741	4.15	37.04	4.21	4.21	37.04	4.47	37.04	4.67												
	21	-6.1	37.45	3.83	3.98	37.28	4.15	3.783	4.31	37.28	4.39	4.39	37.24	4.44	37.06	4.64												
	24	-4.4	38.72	4.01	4.19	37.86	4.37	38.24	4.53	37.65	4.59	4.59	37.43	4.43	36.42	4.20												
	28	-2.2	42.50	4.27	4.38	39.10	4.49	39.08	4.49	38.27	4.43	4.43	37.73	4.29	35.59	3.57												
	32	0	43.92	4.44	4.46	42.23	4.47	39.91	4.46	39.30	4.27	4.27	38.38	4.03	34.63	3.17												
	40	4.4	47.82	4.71	4.63	43.85	4.55	40.74	4.20	40.48	3.99	3.99	39.04	3.78	34.15	2.89												
	43	6.1	52.40	5.30	4.83	45.79	4.39	41.57	3.72	41.32	3.74	3.74	39.61	3.52	33.87	2.71												
	47	8.3	52.40	4.92	4.51	45.79	4.13	42.32	3.63	41.32	3.55	3.55	39.61	3.39	33.87	2.59												
	50	10	52.40	4.67	4.27	45.79	3.91	42.32	3.59	41.32	3.42	3.42	39.61	3.26	33.87	2.41												
	53	11.7	52.40	4.59	4.21	45.79	3.87	42.32	3.54	41.32	3.39	3.39	39.61	3.25	33.87	2.42												
	56	13.3	52.40	4.60	4.20	45.79	3.83	42.32	3.55	41.32	3.38	3.38	39.61	3.24	33.87	2.38												
	57	13.9	52.40	4.57	4.17	45.79	3.81	42.32	3.51	41.32	3.22	3.22	39.61	3.20	33.87	2.17												
	60	15.6	52.40	4.57	4.15	45.79	3.77	42.32	3.49	41.32	3.20	3.20	39.61	3.19	33.87	2.15												

MVHQ096ME2CA
230v heating capacity

Combination	Outdoor Ambient Temperature °F DB °C DB	Indoor Ambient Temperature °F WB(°C WB)																								
		59(15)			64(17.8)			68(20)			70(21.1)			72(22.2)			74(23.3)			75(23.9)			80(26.7)			
		TC	PI	KW	TC	PI	KW	TC	PI	KW	TC	PI	KW	TC	PI	KW	TC	PI	KW	TC	PI	KW	TC	PI	KW	
	-22	-30	47.42	11.22	44.33	10.75	41.44	10.31	37.48	9.68	37.39	9.74	35.85	9.55	33.15	9.20	30.66	8.89								
	-13	-25	82.65	10.84	77.26	11.12	72.23	11.40	65.33	11.67	65.17	11.96	62.48	12.30	57.78	12.79	53.43	13.30								
	-4	-20	96.20	10.31	89.93	10.57	84.07	10.85	76.04	11.10	75.85	11.38	72.73	11.70	67.25	12.17	62.19	12.65								
	-2.2	-19	97.55	10.06	91.20	10.32	85.25	10.59	77.11	10.84	76.92	11.11	73.75	11.42	68.20	11.88	63.07	12.35								
	4.1	-15.5	104.33	9.50	97.53	9.74	91.18	9.99	82.46	10.23	82.26	10.48	78.87	10.78	72.93	11.21	67.45	11.65								
	12	-11.1	105.68	8.63	98.80	8.85	92.36	9.08	83.53	9.29	83.33	9.52	79.90	9.79	73.88	10.18	68.32	10.58								
	13.1	-10.5	109.75	8.45	102.60	8.67	95.91	8.90	86.75	9.10	86.54	9.33	82.97	9.60	76.72	9.98	70.95	10.37								
	15	-9.4	74.86	7.04	74.86	7.23	74.86	7.41	74.86	7.59	74.86	7.77	74.86	8.00	74.86	8.31	74.86	8.64								
	18	-7.8	96.39	7.54	96.39	7.88	96.39	8.23	96.39	8.31	96.39	8.53	96.39	8.64	96.39	9.04	96.39	9.46								
	21	-6.1	97.44	7.88	97.22	8.21	97.01	8.56	97.46	8.63	97.01	8.86	96.89	8.96	96.67	9.16	96.46	9.36								
	24	-4.4	100.75	8.27	99.63	8.63	98.53	9.02	98.53	9.07	97.98	9.28	97.42	8.96	96.08	8.72	94.77	8.49								
	28	-2.2	110.60	8.82	106.08	9.04	101.75	9.27	100.67	9.00	99.59	8.96	98.18	8.68	95.36	7.92	92.62	7.23								
	32	0	110.75	9.16	108.60	9.19	106.49	9.22	102.81	8.94	99.11	8.63	96.79	8.14	91.95	7.22	87.35	6.39								
	40	4.4	120.83	9.71	115.71	9.55	110.80	9.39	104.95	8.40	102.28	8.08	98.66	7.64	92.27	6.68	86.29	5.84								
	43	6.1	135.49	10.94	126.66	9.96	118.41	9.06	107.09	7.53	106.84	7.36	102.43	7.12	94.72	6.24	87.59	5.47								
	47	8.3	135.48	10.15	126.66	9.31	118.40	8.53	110.84	7.37	106.83	7.19	102.43	6.85	94.72	6.12	87.59	5.47								
	50	10	135.48	9.62	126.66	8.81	118.40	8.08	110.84	7.18	106.83	6.91	102.43	6.59	94.72	5.94	87.59	5.35								
	53	11.7	135.48	9.47	126.66	8.69	118.40	7.98	110.84	7.08	106.83	6.87	102.43	6.57	94.72	5.90	87.59	5.31								
	56	13.3	135.48	9.49	126.66	8.66	118.40	7.90	110.84	7.05	106.83	6.84	102.43	6.54	94.72	5.88	87.59	5.29								
	57	13.9	135.48	9.43	126.66	8.61	118.40	7.86	110.84	7.02	106.83	6.51	102.43	6.47	94.72	5.81	87.59	5.22								
	60	15.6	135.48	9.42	126.66	8.56	118.40	7.77	110.84	6.99	106.83	6.48	102.43	6.44	94.72	5.76	87.59	5.15								

130%

Combination	Outdoor Ambient Temperature		Indoor Ambient Temperature °F WB(°C WB)																																															
			59(15)						64(17.8)						68(20)						70(21.1)						72(22.2)						74(23.3)						75(23.9)						80(26.7)					
			°F DB	°C DB	TC	KBTU	PI	KW	TC	KBTU	PI	KW	TC	KBTU	PI	KW	TC	KBTU	PI	KW	TC	KBTU	PI	KW	TC	KBTU	PI	KW	TC	KBTU	PI	KW	TC	KBTU	PI	KW														
	-22	-30	46.96	11.17	43.91	10.70	41.04	10.27	37.12	9.65	37.03	9.71	35.51	9.53	32.83	9.18	30.36	8.88																																
	-13	-25	81.85	10.95	76.52	11.23	71.54	11.52	64.70	11.79	64.54	12.08	61.88	12.43	57.22	12.92	52.92	13.43																																
	-4	-20	95.27	10.41	89.06	10.68	83.26	10.96	75.31	11.22	75.12	11.49	72.03	11.82	66.61	12.29	61.59	12.78																																
	-2.2	-19	96.61	10.17	90.32	10.43	84.44	10.70	76.37	10.95	76.18	11.22	73.04	11.54	67.54	12.00	62.46	12.47																																
	4.1	-15.5	103.32	9.60	96.59	9.84	90.30	10.10	81.67	10.33	81.47	10.59	78.11	10.89	72.23	11.33	66.80	11.77																																
	12	-11.1	104.66	8.71	97.85	8.94	91.47	9.17	82.73	9.38	82.53	9.62	79.13	9.89	73.17	10.29	67.66	10.69																																
	13.1	-10.5	108.69	8.54	101.61	8.76	94.99	8.99	85.91	9.20	85.71	9.43	82.17	9.70	75.99	10.08	70.27	10.48																																
	15	-9.4	74.14	7.12	74.14	7.30	74.14	7.49	74.14	7.66	74.14	7.85	74.14	8.08	74.14	8.40	74.14	8.73																																
	18	-7.8	95.46	7.62	95.46	7.96	95.46	8.31	95.46	8.39	95.46	8.62	95.46	8.73	95.46	9.13	95.46	9.56																																
	21	-6.1	96.50	7.96	96.29	8.30	96.08	8.65	96.52	8.72	96.08	8.96	96.08	9.05	95.74	9.25	95.53	9.46																																
	24	-4.4	99.79	8.35	98.68	8.72	97.58	9.11	97.58	9.16	97.04	9.38	96.48	9.05	95.16	8.81	93.86	8.58																																
	28	-2.2	109.53	8.91	105.06	9.14	100.77	9.37	99.70	9.09	98.63	9.05	97.23	8.77	94.44	8.00	91.73	7.30																																
	32	0	109.69	9.26	107.56	9.29	105.47	9.32	101.82	9.03	98.16	8.71	95.86	8.23	91.07	7.29	86.51	6.46																																
	40	4.4	119.67	9.81	114.60	9.65	109.74	9.49	103.94	8.48	101.30	8.17	97.71	7.72	91.38	6.75	85.46	5.90																																
	43	6.1	134.19	11.05	125.44	10.06	117.27	9.16	106.07	7.60	105.81	7.44	101.45	7.19	93.81	6.31	86.75	5.53																																
	47	8.3	134.18	10.25	125.44	9.40	117.27	8.62	109.77	7.45	105.80	7.26	101.44	6.92	93.81	6.18	86.75	5.52																																
	50	10	134.18	9.72	125.44	8.91	117.27	8.16	109.77	7.25	105.80	6.99	101.44	6.65	93.81	6.00	86.75	5.41																																
	53	11.7	134.18	9.56	125.44	8.78	117.27	8.07	109.77	7.15	105.80	6.94	101.44	6.63	93.81	5.97	86.75	5.36																																
	56	13.3	134.18	9.59	125.44	8.75	117.27	7.98	109.77	7.13	105.80	6.91	101.44	6.61	93.81	5.94	86.75	5.34																																
	57	13.9	134.18	9.53	125.44	8.70	117.27	7.94	109.77	7.09	105.80	6.57	101.44	6.53	93.81	5.87	86.75	5.27																																
	60	15.6	134.18	9.52	125.44	8.65	117.27	7.85	109.77	7.06	105.80	6.55	101.44	6.51	93.81	5.82	86.75	5.21																																

120%

Combination	Outdoor Ambient Temperature °F DB °C DB	Indoor Ambient Temperature °F WB(°C WB)																																								
		59(15)				64(17.8)				68(20)				70(21.1)				72(22.2)				74(23.3)				75(23.9)				80(26.7)												
		TC	PI	KBTU	kW	TC	PI	KBTU	kW	TC	PI	KBTU	kW	TC	PI	KBTU	kW	TC	PI	KBTU	kW	TC	PI	KBTU	kW	TC	PI	KBTU	kW	TC	PI	KBTU	kW									
	-22	-30	46.05	11.04	43.05	10.58	40.25	10.16	36.40	9.55	36.31	9.61	34.82	9.44	32.20	9.10	29.77	8.81																								
	-13	-25	80.26	11.06	75.03	11.35	70.15	11.64	63.44	11.91	63.29	12.21	60.68	12.56	56.11	13.05	51.89	13.57																								
	-4	-20	93.42	10.52	87.34	10.79	81.65	11.07	73.84	11.33	73.67	11.61	70.63	11.94	65.31	12.42	60.40	12.91																								
	-2.2	-19	94.74	10.27	88.57	10.54	82.80	10.81	74.88	11.06	74.70	11.34	71.62	11.66	66.23	12.12	61.25	12.60																								
	4.1	-15.5	101.32	9.69	94.72	9.94	88.55	10.20	80.08	10.44	79.89	10.70	76.60	11.01	70.83	11.44	65.50	11.89																								
	12	-11.1	102.63	8.80	95.95	9.03	89.70	9.26	81.12	9.48	80.93	9.72	77.59	9.99	71.75	10.39	66.35	10.80																								
	13.1	-10.5	106.58	8.63	99.64	8.85	93.15	9.08	84.24	9.29	84.04	9.52	80.58	9.79	74.51	10.18	68.90	10.59																								
	15	-9.4	72.70	7.19	72.70	7.38	72.70	7.57	72.70	7.74	72.70	7.93	72.70	8.16	72.70	8.49	72.70	8.82																								
	18	-7.8	93.61	7.70	93.61	8.04	93.61	8.40	93.61	8.48	93.61	8.71	93.61	8.82	93.61	9.23	93.61	9.65																								
	21	-6.1	94.63	8.04	94.42	8.38	94.21	8.73	94.65	8.81	94.21	9.05	94.09	9.14	93.88	9.35	93.68	9.56																								
	24	-4.4	97.85	8.44	96.76	8.81	95.69	9.20	95.69	9.25	95.16	9.47	94.61	9.14	93.31	8.90	92.03	8.66																								
	28	-2.2	107.41	9.00	103.02	9.23	98.82	9.46	97.77	9.18	96.71	9.14	95.35	8.86	92.61	8.08	89.95	7.37																								
	32	0	107.56	9.35	105.47	9.38	103.42	9.41	99.85	9.12	96.25	8.80	93.99	8.31	89.30	7.36	84.83	6.52																								
	40	4.4	117.34	9.91	112.37	9.75	107.61	9.58	101.93	8.57	99.33	8.25	95.82	7.80	89.61	6.82	83.80	5.96																								
	43	6.1	131.58	11.17	123.01	10.16	114.99	9.25	104.01	7.68	103.75	7.51	99.48	7.27	91.99	6.37	85.06	5.59																								
	47	8.3	131.57	10.36	123.00	9.50	114.99	8.71	107.64	7.52	103.75	7.33	99.47	6.99	91.98	6.25	85.06	5.58																								
	50	10	131.57	9.82	123.00	9.00	114.99	8.24	107.64	7.32	103.75	7.06	99.47	6.72	91.98	6.06	85.06	5.46																								
	53	11.7	131.57	9.66	123.00	8.87	114.99	8.15	107.64	7.23	103.75	7.01	99.47	6.70	91.98	6.03	85.06	5.42																								
	56	13.3	131.57	9.69	123.00	8.84	114.99	8.06	107.64	7.20	103.75	6.98	99.47	6.68	91.98	6.00	85.06	5.39																								
	57	13.9	131.57	9.63	123.00	8.79	114.99	8.02	107.64	7.16	103.75	6.64	99.47	6.60	91.98	5.93	85.06	5.33																								
	60	15.6	131.57	9.62	123.00	8.73	114.99	7.93	107.64	7.13	103.75	6.61	99.47	6.58	91.98	5.88	85.06	5.26																								

Combination	Outdoor Ambient Temperature		Indoor Ambient Temperature °F WB(°C WB)																																																																																																																																																																																																																																																																																																																																																																				
			59(15)						64(17.8)						68(20)						70(21.1)						72(22.2)						74(23.3)						75(23.9)						80(26.7)																																																																																																																																																																																																																																																																																																																										
			TC	PI	KW	KBTU	TC	PI	KW	KBTU	TC	PI	KW	KBTU	TC	PI	KW	KBTU	TC	PI	KW	KBTU	TC	PI	KW	KBTU	TC	PI	KW	KBTU	TC	PI	KW	KBTU	TC	PI	KW	KBTU																																																																																																																																																																																																																																																																																																																																	
	°F DB	°C DB	-22	-30	10.99	42.63	10.54	39.85	10.12	30.92	8.61	35.95	9.58	34.47	9.41	31.88	9.08	29.48	8.79	-13	-25	11.17	74.29	11.46	69.45	11.76	62.20	14.80	62.66	12.33	60.08	12.68	55.56	13.19	51.38	13.71	-4	-20	10.63	86.47	10.90	80.84	11.18	72.33	14.37	72.94	11.73	69.93	12.07	64.67	12.54	59.80	13.04	-2.2	-19	10.37	87.69	10.64	81.98	10.92	72.88	14.00	73.96	11.45	70.91	11.78	65.58	12.24	60.64	12.73	4.1	-15.5	9.79	93.78	10.04	87.67	10.30	83.05	14.74	79.10	10.81	75.84	11.12	70.13	11.56	64.85	12.01	12	-11.1	8.89	95.00	9.12	88.81	9.36	84.44	13.27	80.13	9.81	76.82	10.10	71.04	10.50	65.69	10.91	13.1	-10.5	8.71	98.65	8.94	92.22	9.17	91.65	12.53	83.21	9.62	79.78	9.89	73.77	10.29	68.22	10.69	15	-9.4	7.26	71.98	7.45	71.98	7.64	72.10	7.82	71.98	8.01	71.98	8.24	71.98	8.57	71.98	8.91	18	-7.8	7.77	92.68	8.12	92.68	8.48	92.68	8.56	92.68	8.79	92.68	8.91	92.68	9.32	92.68	9.75	21	-6.1	8.12	93.69	8.47	93.28	8.82	93.71	8.90	93.28	9.14	93.16	9.24	92.95	9.44	92.75	9.65	24	-4.4	8.52	95.80	8.90	94.74	9.30	94.74	9.35	94.21	9.57	93.67	9.24	92.39	8.99	91.12	8.75	28	-2.2	9.09	102.00	9.32	102.00	9.56	96.80	9.27	95.76	9.24	94.40	8.95	91.69	8.17	89.06	7.45	32	0	9.45	104.42	9.48	102.40	9.51	98.86	9.21	95.30	8.89	93.06	8.40	88.41	7.44	83.99	6.59	40	4.4	10.01	111.26	9.84	106.54	9.68	100.92	8.66	98.35	8.33	94.87	7.88	88.72	6.89	82.97	6.02	43	6.1	11.28	121.79	10.27	113.86	9.34	103.08	7.76	102.73	7.59	98.49	7.34	91.08	6.44	84.22	5.64	47	8.3	10.46	121.78	9.59	113.85	8.80	106.58	7.60	102.72	7.41	98.49	7.06	91.07	6.31	84.22	5.64	50	10	9.92	121.78	9.09	113.85	8.33	106.58	7.40	102.72	7.13	98.49	6.79	91.07	6.12	84.22	5.52	53	11.7	9.76	121.78	8.96	113.85	8.23	106.58	7.30	102.72	7.08	98.49	6.77	91.07	6.09	84.22	5.47	56	13.3	9.78	121.78	8.93	113.85	8.15	106.58	7.27	102.72	7.06	98.49	6.75	91.07	6.06	84.22	5.45	57	13.9	9.72	121.78	8.88	113.85	8.10	106.58	7.24	102.72	6.71	98.49	6.67	91.07	5.99	84.22	5.38	60	15.6	9.72	121.78	8.82	113.85	8.01	106.58	7.20	102.72	6.68	98.49	6.64	91.07	5.94	84.22	5.31

100%

Combination	Outdoor Ambient Temperature °F DB °C DB	Indoor Ambient Temperature °F WB(°C WB)																								
		59(15)			64(17.8)			68(20)			70(21.1)			72(22.2)			74(23.3)			75(23.9)			80(26.7)			
		TC	PI	KW	TC	PI	KW	TC	PI	KW	TC	PI	KW	TC	PI	KW	TC	PI	KW	TC	PI	KW	TC	PI	KW	
	-22	41.95	10.08	39.22	9.66	36.66	9.28	33.16	8.72	33.08	8.78	31.71	8.62	29.33	8.32	27.12	8.05									
	-13	73.11	10.17	68.35	10.43	63.90	10.70	57.79	10.95	57.65	11.22	55.27	11.54	51.11	12.00	47.27	12.47									
	-4	85.10	9.67	79.55	9.92	74.37	10.18	67.26	10.41	67.10	10.67	64.33	10.98	59.49	11.41	55.01	11.87									
	-2.2	86.30	9.44	80.67	9.68	75.42	9.93	68.21	10.17	68.05	10.42	65.24	10.72	60.33	11.14	55.79	11.58									
	4.1	92.29	8.91	86.28	9.14	80.66	9.38	72.95	9.59	72.77	9.83	69.77	10.12	64.52	10.52	59.66	10.93									
	12	93.49	8.09	87.40	8.30	81.70	8.52	73.90	8.71	73.72	8.93	70.68	9.19	65.36	9.55	60.44	9.93									
	13.1	97.08	7.93	90.76	8.13	84.85	8.34	76.74	8.54	76.55	8.75	73.40	9.00	67.87	9.36	62.76	9.73									
	15	66.22	6.61	66.22	6.78	66.22	6.95	66.22	7.12	66.22	7.29	66.22	7.50	66.22	7.80	66.22	8.11									
	18	85.26	7.07	85.26	7.39	85.26	7.72	85.26	7.79	85.26	8.00	85.26	8.11	85.26	8.48	85.26	8.87									
	21	86.20	7.39	86.01	7.70	85.82	8.03	86.21	8.10	85.82	8.32	85.71	8.41	85.52	8.59	85.33	8.79									
	24	89.13	7.76	88.14	8.10	87.16	8.46	87.16	8.51	86.68	8.71	86.18	8.41	85.00	8.18	83.83	7.96									
	28	97.83	8.27	93.84	8.48	90.01	8.70	89.05	8.44	88.10	8.41	86.85	8.15	84.36	7.43	81.94	6.78									
	32	97.97	8.60	96.07	8.63	94.21	8.65	90.95	8.38	87.68	8.09	85.62	7.64	81.34	6.77	77.27	6.00									
	40	106.89	9.11	102.36	8.96	98.02	8.81	92.84	7.88	90.48	7.58	87.28	7.17	81.62	6.27	76.33	5.48									
	43	119.85	10.26	112.05	9.34	104.75	8.50	94.74	7.06	94.51	6.91	90.61	6.68	83.79	5.86	77.48	5.14									
	47	119.85	9.52	112.04	8.73	104.74	8.00	98.05	6.92	94.51	6.74	90.61	6.42	83.79	5.74	77.48	5.13									
	50	119.85	9.03	112.04	8.27	104.74	7.58	98.05	6.73	94.51	6.49	90.61	6.18	83.79	5.57	77.48	5.02									
	53	119.85	8.88	112.04	8.16	104.74	7.49	98.05	6.64	94.51	6.44	90.61	6.16	83.79	5.54	77.48	4.98									
	56	119.85	8.90	112.04	8.12	104.74	7.41	98.05	6.62	94.51	6.42	90.61	6.14	83.79	5.52	77.48	4.96									
	57	119.85	8.85	112.04	8.08	104.74	7.38	98.05	6.59	94.51	6.10	90.61	6.07	83.79	5.45	77.48	4.90									
	60	119.85	8.84	112.04	8.03	104.74	7.29	98.05	6.55	94.51	6.08	90.61	6.04	83.79	5.41	77.48	4.83									

Combination	Outdoor Ambient Temperature		Indoor Ambient Temperature °F WB(°C WB)																																									
			59(15)						64(17.8)						70(21.1)						72(22.2)						74(23.3)						75(23.9)						80(26.7)					
			°F DB	°C DB	TC	KBTU	PI	kW	TC	KBTU	PI	kW	TC	KBTU	PI	kW	TC	KBTU	PI	kW	TC	KBTU	PI	kW	TC	KBTU	PI	kW	TC	KBTU	PI	kW												
	-22	-30	36.93	8.69	8.32	34.53	8.32	7.97	29.19	7.48	29.12	7.53	27.92	7.38	25.82	7.10	23.88	6.86																										
	-13	-25	64.37	8.24	8.45	60.18	8.45	8.67	50.88	8.87	50.76	9.09	48.66	9.35	45.00	9.72	41.61	10.10																										
	-4	-20	74.92	7.83	8.04	70.04	8.04	8.24	59.22	8.44	59.08	8.65	56.64	8.89	52.38	9.25	48.44	9.61																										
	-2.2	-19	75.98	7.65	7.84	71.03	7.84	8.05	60.06	8.23	59.91	8.44	57.44	8.68	53.12	9.03	49.12	9.38																										
	4.1	-15.5	81.25	7.22	7.40	75.96	7.40	7.59	64.23	7.77	64.07	7.97	61.43	8.19	56.81	8.52	52.53	8.86																										
	12	-11.1	82.31	6.55	6.72	76.95	6.72	6.90	65.06	7.06	64.90	7.23	62.23	7.44	57.54	7.74	53.21	8.04																										
	13.1	-10.5	85.47	6.42	6.59	79.91	6.59	6.76	67.56	6.92	67.40	7.09	64.62	7.29	59.76	7.58	55.26	7.88																										
	15	-9.4	58.31	5.35	5.49	58.31	5.49	5.63	58.31	5.76	58.31	5.91	58.31	6.08	58.31	6.32	58.31	6.57																										
	18	-7.8	75.07	5.73	5.99	75.07	5.99	6.25	75.07	6.31	75.07	6.48	75.07	6.57	75.07	6.87	75.07	7.19																										
	21	-6.1	75.89	5.99	6.24	75.72	6.24	6.50	75.90	6.56	75.56	6.74	75.46	6.81	75.29	6.96	75.13	7.12																										
	24	-4.4	78.47	6.28	6.56	77.60	6.56	6.85	76.74	6.89	76.31	7.05	75.88	7.29	74.84	7.44	73.81	7.64																										
80%	28	-2.2	86.14	6.70	6.87	82.62	6.87	7.05	79.25	7.05	78.41	7.21	77.56	7.38	76.47	7.58	75.14	7.77																										
	32	0	86.26	6.96	6.99	84.58	6.99	7.01	80.07	6.79	77.19	6.55	75.38	6.19	71.61	5.48	68.04	4.86																										
	40	4.4	94.11	7.38	7.26	90.12	7.26	7.13	81.74	6.38	79.66	6.14	76.84	5.81	71.86	5.08	67.21	4.44																										
	43	6.1	105.52	8.31	7.57	98.65	7.57	6.89	83.41	5.72	83.21	5.59	79.78	5.41	73.77	4.74	68.22	4.16																										
	47	8.3	105.52	7.71	7.07	98.65	7.07	6.48	86.33	5.60	83.21	5.46	79.77	5.20	73.77	4.65	68.22	4.15																										
	50	10	105.52	7.31	6.70	98.65	6.70	6.14	86.33	5.45	83.21	5.25	79.77	5.00	73.77	4.51	68.22	4.07																										
	53	11.7	105.52	7.19	6.61	98.65	6.61	6.07	86.33	5.38	83.21	5.22	79.77	4.99	73.77	4.49	68.22	4.03																										
	56	13.3	105.52	7.21	6.58	98.65	6.58	6.00	86.33	5.36	83.21	5.20	79.77	4.97	73.77	4.47	68.22	4.02																										
	57	13.9	105.52	7.17	6.54	98.65	6.54	5.97	86.33	5.33	83.21	5.20	79.77	4.91	73.77	4.41	68.22	3.97																										
	60	15.6	105.52	7.16	6.50	98.65	6.50	5.90	86.33	5.31	83.21	5.20	79.77	4.90	73.77	4.38	68.22	3.92																										

Combination	Outdoor Ambient Temperature °C DB		Indoor Ambient Temperature °F WB(°C WB)																							
			59(15)			64(17.8)			68(20)			70(21.1)			72(22.2)			74(23.3)			75(23.9)			80(26.7)		
			TC	PI	KW	TC	PI	KW	TC	PI	KW	TC	PI	KW	TC	PI	KW	TC	PI	KW	TC	PI	KW	TC	PI	KW
	-22	-30	31.92	7.69	29.84	7.38	27.89	7.08	25.23	6.66	24.13	6.59	22.31	6.36	20.63	6.15										
	-13	-25	55.63	7.82	52.00	8.02	48.62	8.23	43.97	8.42	42.06	8.88	38.89	9.23	35.96	9.60										
	-4	-20	64.75	7.44	60.53	7.63	56.59	7.83	51.18	8.01	48.95	8.45	45.27	8.78	41.86	9.13										
	-2.2	-19	65.66	7.26	61.38	7.45	57.38	7.64	51.90	7.82	49.64	8.24	45.90	8.57	42.45	8.91										
	4.1	-15.5	70.22	6.85	65.64	7.03	61.37	7.21	55.50	7.38	53.09	7.78	49.09	8.09	45.40	8.41										
	12	-11.1	71.13	6.22	66.50	6.39	62.17	6.55	56.22	6.70	53.78	7.07	49.73	7.35	45.99	7.64										
	13.1	-10.5	73.87	6.10	69.05	6.26	64.56	6.42	58.39	6.57	55.84	6.93	51.64	7.20	47.75	7.48										
	15	-9.4	50.39	5.08	50.39	5.21	50.39	5.35	50.39	5.47	50.39	5.61	50.39	5.77	50.39	6.24										
	18	-7.8	64.87	5.44	64.87	5.68	64.87	5.94	64.87	6.00	64.87	6.16	64.87	6.24	64.87	6.83										
	21	-6.1	65.58	5.69	65.44	5.93	65.30	6.18	65.60	6.23	65.30	6.40	65.21	6.47	64.93	6.76										
	24	-4.4	67.82	5.97	67.06	6.23	66.32	6.51	66.32	6.54	65.95	6.70	65.57	6.47	63.79	6.13										
	28	-2.2	74.44	6.37	71.40	6.53	68.49	6.69	67.76	6.49	67.03	6.47	66.08	6.27	62.34	5.21										
	32	0	74.54	6.61	73.10	6.63	71.68	6.66	69.20	6.45	66.71	6.22	65.14	5.88	58.80	4.61										
	40	4.4	81.33	7.01	77.88	6.89	74.58	6.78	70.64	6.06	68.84	5.83	66.41	5.51	58.08	4.22										
	43	6.1	91.19	7.89	85.25	7.19	79.70	6.54	72.08	5.43	71.91	5.31	68.94	5.14	58.96	3.95										
	47	8.3	91.19	7.32	85.25	6.72	79.70	6.16	74.60	5.32	71.91	5.19	68.94	4.94	58.95	3.95										
	50	10	91.19	6.94	85.25	6.36	79.70	5.83	74.60	5.18	71.91	4.99	68.94	4.75	58.95	3.86										
	53	11.7	91.19	6.83	85.25	6.27	79.70	5.76	74.60	5.11	71.91	4.96	68.94	4.74	58.95	3.83										
	56	13.3	91.19	6.85	85.25	6.25	79.70	5.70	74.60	5.09	71.91	4.94	68.94	4.72	58.95	3.81										
	57	13.9	91.19	6.81	85.25	6.21	79.70	5.67	74.60	5.07	71.91	4.69	68.94	4.67	58.95	3.77										
	60	15.6	91.19	6.80	85.25	6.18	79.70	5.61	74.60	5.04	71.91	4.68	68.94	4.65	58.95	3.72										

Combination	Outdoor Ambient Temperature		Indoor Ambient Temperature °F WB(°C WB)																											
			59(15)		64(17.8)		68(20)		70(21.1)		72(22.2)		74(23.3)		75(23.9)		80(26.7)													
			TC	PI	TC	PI	TC	PI	TC	PI	TC	PI	TC	PI	TC	PI	TC	PI	TC	PI										
	°F DB	°C DB	KBTU	kW	KBTU	kW	KBTU	kW	KBTU	kW	KBTU	kW	KBTU	kW	KBTU	kW	KBTU	kW	KBTU	kW	KBTU	kW	KBTU	kW	KBTU	kW	KBTU	kW		
	-22	-30	28.73	6.89	26.85	6.61	25.11	6.35	22.71	5.96	22.65	6.00	21.72	5.89	20.08	5.69	18.57	5.50												
	-13	-25	50.07	6.93	46.80	7.11	43.75	7.29	39.57	7.46	39.48	7.64	37.85	7.86	35.00	8.18	32.37	8.50												
	-4	-20	58.27	6.59	54.48	6.76	50.93	6.93	46.06	7.10	45.95	7.27	44.05	7.48	40.74	7.78	37.67	8.08												
	-2.2	-19	59.09	6.43	55.24	6.60	51.64	6.77	46.71	6.93	46.60	7.10	44.68	7.30	41.31	7.59	38.20	7.89												
	4.1	-15.5	63.20	6.07	59.08	6.23	55.23	6.39	49.95	6.54	49.83	6.70	47.78	6.89	44.18	7.17	40.86	7.45												
	12	-11.1	64.02	5.51	59.85	5.66	55.95	5.80	50.60	5.94	50.48	6.08	48.40	6.26	44.76	6.51	41.39	6.76												
	13.1	-10.5	66.48	5.40	62.15	5.54	58.10	5.69	52.55	5.82	52.42	5.96	50.26	6.13	46.48	6.38	42.98	6.63												
	15	-9.4	45.35	4.50	45.35	4.62	45.35	4.74	45.35	4.85	45.35	4.97	45.35	5.11	45.35	5.31	45.35	5.52												
	18	-7.8	58.39	4.82	58.39	5.03	58.39	5.26	58.39	5.31	58.39	5.45	58.39	5.52	58.39	5.78	58.39	6.05												
	21	-6.1	59.03	5.04	58.90	5.25	58.77	5.47	59.04	5.52	58.77	5.67	58.69	5.73	58.56	5.85	58.43	5.99												
	24	-4.4	61.03	5.28	60.36	5.52	59.68	5.76	59.68	5.80	59.35	5.93	59.01	5.73	58.21	5.57	57.41	5.43												
	28	-2.2	67.00	5.64	64.26	5.78	61.64	5.93	60.98	5.75	60.33	5.73	59.47	5.55	57.77	5.06	56.11	4.62												
	32	0	67.09	5.86	65.79	5.88	64.51	5.90	62.28	5.71	60.04	5.51	58.63	5.21	55.70	4.61	52.92	4.09												
	40	4.4	73.20	6.21	70.09	6.10	67.12	6.00	63.58	5.37	61.96	5.17	59.77	4.88	55.89	4.27	52.27	3.74												
	43	6.1	82.07	6.99	76.73	6.36	71.73	5.79	64.87	4.81	64.72	4.70	62.05	4.55	57.38	3.99	53.06	3.50												
	47	8.3	82.07	6.49	76.72	5.95	71.73	5.45	67.14	4.71	64.72	4.59	62.05	4.38	57.38	3.91	53.06	3.49												
	50	10	82.07	6.15	76.72	5.63	71.73	5.16	67.14	4.59	64.72	4.42	62.05	4.21	57.38	3.80	53.06	3.42												
	53	11.7	82.07	6.05	76.72	5.56	71.73	5.10	67.14	4.53	64.72	4.39	62.05	4.20	57.38	3.77	53.06	3.39												
	56	13.3	82.07	6.07	76.72	5.53	71.73	5.05	67.14	4.51	64.72	4.37	62.05	4.18	57.38	3.76	53.06	3.38												
	57	13.9	82.07	6.03	76.72	5.50	71.73	5.03	67.14	4.49	64.72	4.16	62.05	4.13	57.38	3.71	53.06	3.34												
	60	15.6	82.07	6.02	76.72	5.47	71.73	4.97	67.14	4.47	64.72	4.14	62.05	4.12	57.38	3.68	53.06	3.29												

Combination	Outdoor Ambient Temperature °C DB		Indoor Ambient Temperature °F WB(°C WB)																															
			59(15)			64(17.8)			68(20)			70(21.1)			72(22.2)			74(23.3)			75(23.9)			80(26.7)										
			TC	PI	KW	TC	PI	KW	TC	PI	KW	TC	PI	KW	TC	PI	KW	TC	PI	KW	TC	PI	KW	TC	PI	KW								
	-22	-30	24.62	6.25	23.02	6.02	21.52	5.80	19.46	5.48	19.42	5.53	18.61	5.44	17.21	5.28	15.92	5.14	42.91	7.26	40.12	7.45	37.50	7.64	33.92	7.82	33.84	8.01	32.44	8.24	30.00	8.57	27.74	8.91
	-13	-25	49.95	6.91	46.69	7.09	43.65	7.27	39.48	7.44	39.39	7.62	37.76	7.84	34.92	8.15	32.29	8.48	49.95	6.91	46.69	7.09	43.65	7.27	39.48	7.44	39.39	7.62	37.76	7.84	34.92	8.15	32.29	8.48
	-4	-20	50.65	6.74	47.35	6.92	44.27	7.10	40.04	7.26	39.94	7.44	38.29	7.66	35.41	7.96	32.75	8.27	50.65	6.74	47.35	6.92	44.27	7.10	40.04	7.26	39.94	7.44	38.29	7.66	35.41	7.96	32.75	8.27
	-2.2	-19	54.17	6.36	50.64	6.53	47.34	6.70	42.82	6.85	42.71	7.02	40.95	7.23	37.87	7.51	35.02	7.81	54.17	6.36	50.64	6.53	47.34	6.70	42.82	6.85	42.71	7.02	40.95	7.23	37.87	7.51	35.02	7.81
	4.1	-15.5	54.87	5.78	51.30	5.93	47.96	6.08	43.37	6.22	43.27	6.38	41.48	6.56	38.36	6.82	35.47	7.09	54.87	5.78	51.30	5.93	47.96	6.08	43.37	6.22	43.27	6.38	41.48	6.56	38.36	6.82	35.47	7.09
	12	-11.1	56.98	5.66	53.27	5.81	49.80	5.96	45.04	6.10	44.93	6.25	43.08	6.43	39.84	6.69	36.84	6.95	56.98	5.66	53.27	5.81	49.80	5.96	45.04	6.10	44.93	6.25	43.08	6.43	39.84	6.69	36.84	6.95
	13.1	-10.5	38.87	4.72	38.87	4.84	38.87	4.97	38.87	5.08	38.87	5.21	38.87	5.36	38.87	5.57	38.87	5.79	38.87	4.72	38.87	4.84	38.87	4.97	38.87	5.08	38.87	5.21	38.87	5.36	38.87	5.57	38.87	5.79
	15	-9.4	50.05	5.05	50.05	5.28	50.05	5.51	50.05	5.57	50.05	5.72	50.05	5.79	50.05	6.06	50.05	6.34	50.05	5.05	50.05	5.28	50.05	5.51	50.05	5.57	50.05	5.72	50.05	5.79	50.05	6.06	50.05	6.34
	18	-7.8	50.59	5.28	50.48	5.50	50.37	5.73	50.60	5.79	50.37	5.94	50.31	6.00	50.20	6.14	50.09	6.28	50.59	5.28	50.48	5.50	50.37	5.73	50.60	5.79	50.37	5.94	50.31	6.00	50.20	6.14	50.09	6.28
	21	-6.1	52.31	5.54	51.73	5.79	51.16	6.04	51.16	6.08	50.88	6.22	50.58	6.00	49.89	5.84	49.21	5.69	52.31	5.54	51.73	5.79	51.16	6.04	51.16	6.08	50.88	6.22	50.58	6.00	49.89	5.84	49.21	5.69
50%	24	-4.4	57.42	5.91	55.08	6.06	52.83	6.21	52.27	6.03	51.71	6.00	50.98	5.82	49.51	5.31	48.09	4.84	57.42	5.91	55.08	6.06	52.83	6.21	52.27	6.03	51.71	6.00	50.98	5.82	49.51	5.31	48.09	4.84
	28	-2.2	57.51	6.14	56.39	6.16	55.29	6.18	53.38	5.99	51.46	5.78	50.25	5.46	47.74	4.83	45.36	4.28	57.51	6.14	56.39	6.16	55.29	6.18	53.38	5.99	51.46	5.78	50.25	5.46	47.74	4.83	45.36	4.28
	32	0	62.74	6.51	60.08	6.40	57.53	6.29	54.49	5.63	53.11	5.42	51.23	5.12	47.91	4.48	44.80	3.92	62.74	6.51	60.08	6.40	57.53	6.29	54.49	5.63	53.11	5.42	51.23	5.12	47.91	4.48	44.80	3.92
	40	4.4	70.35	7.33	65.77	6.67	61.48	6.07	55.61	5.04	55.47	4.93	53.19	4.77	49.18	4.18	45.48	3.67	70.35	7.33	65.77	6.67	61.48	6.07	55.61	5.04	55.47	4.93	53.19	4.77	49.18	4.18	45.48	3.67
	43	6.1	70.35	6.80	65.76	6.24	61.48	5.72	57.55	4.94	55.47	4.82	53.18	4.59	49.18	4.10	45.48	3.66	70.35	6.80	65.76	6.24	61.48	5.72	57.55	4.94	55.47	4.82	53.18	4.59	49.18	4.10	45.48	3.66
	47	8.3	70.35	6.45	65.76	5.91	61.48	5.41	57.55	4.81	55.47	4.63	53.18	4.41	49.18	3.98	45.48	3.59	70.35	6.45	65.76	5.91	61.48	5.41	57.55	4.81	55.47	4.63	53.18	4.41	49.18	3.98	45.48	3.59
	50	10	70.35	6.34	65.76	5.83	61.48	5.35	57.55	4.75	55.47	4.60	53.18	4.40	49.18	3.96	45.48	3.56	70.35	6.34	65.76	5.83	61.48	5.35	57.55	4.75	55.47	4.60	53.18	4.40	49.18	3.96	45.48	3.56
	53	11.7	70.35	6.36	65.76	5.80	61.48	5.29	57.55	4.73	55.47	4.59	53.18	4.38	49.18	3.94	45.48	3.54	70.35	6.36	65.76	5.80	61.48	5.29	57.55	4.73	55.47	4.59	53.18	4.38	49.18	3.94	45.48	3.54
	56	13.3	70.35	6.32	65.76	5.77	61.48	5.27	57.55	4.70	55.47	4.36	53.18	4.33	49.18	3.89	45.48	3.50	70.35	6.32	65.76	5.77	61.48	5.27	57.55	4.70	55.47	4.36	53.18	4.33	49.18	3.89	45.48	3.50
	57	13.9	70.35	6.32	65.76	5.73	61.48	5.21	57.55	4.68	55.47	4.34	53.18	4.32	49.18	3.86	45.48	3.45	70.35	6.32	65.76	5.73	61.48	5.21	57.55	4.68	55.47	4.34	53.18	4.32	49.18	3.86	45.48	3.45
	60	15.6	70.35	6.32	65.76	5.73	61.48	5.21	57.55	4.68	55.47	4.34	53.18	4.32	49.18	3.86	45.48	3.45	70.35	6.32	65.76	5.73	61.48	5.21	57.55	4.68	55.47	4.34	53.18	4.32	49.18	3.86	45.48	3.45

Combination	Outdoor Ambient Temperature °F DB °C DB	Indoor Ambient Temperature °F WB(°C WB)																																			
		59(15)			64(17.8)			68(20)			70(21.1)			72(22.2)			74(23.3)			75(23.9)			80(26.7)														
		TC	KBTU	PI	TC	KBTU	PI	TC	KBTU	PI	TC	KBTU	PI	TC	KBTU	PI	TC	KBTU	PI	TC	KBTU	PI	TC	KBTU	PI												
	-22	-30	50.72	11.76	47.42	11.34	44.32	10.97	40.24	10.42	39.99	10.97	38.57	10.80	36.07	10.56	33.73	10.34																			
	-13	-25	103.14	12.25	96.41	12.79	90.12	13.36	81.82	13.91	81.32	16.17	78.42	16.47	73.33	17.15	68.58	17.85																			
	-4	-20	120.04	11.66	112.22	12.17	104.90	12.70	95.23	13.23	94.65	15.38	91.27	15.67	85.36	16.31	79.83	16.98																			
	-2.2	-19	121.74	11.38	113.80	11.88	106.37	12.40	96.57	12.91	95.98	15.01	92.56	15.29	86.56	15.92	80.95	16.57																			
	4.1	-15.5	130.19	10.74	121.70	11.21	113.76	11.71	103.28	12.19	102.65	14.17	98.98	14.43	92.57	15.03	86.57	15.64																			
	12	-11.1	131.88	9.75	123.28	10.18	115.24	10.63	104.62	11.07	103.98	12.87	100.27	13.11	93.77	13.65	87.70	14.21																			
	13.1	-10.5	136.95	9.56	128.02	9.98	119.67	10.42	108.64	10.85	107.98	12.61	104.13	12.85	97.38	13.37	91.07	13.92																			
	15	-9.4	86.47	7.97	86.47	8.32	86.47	8.68	87.34	9.04	86.47	10.51	86.47	10.71	86.47	11.15	86.47	11.60																			
	18	-7.8	119.51	10.46	119.51	10.73	119.51	11.01	120.72	11.61	119.51	13.70	119.51	14.09	119.51	14.64	119.51	15.22																			
	21	-6.1	120.84	10.63	120.56	11.10	120.28	11.59	122.06	12.06	120.28	14.61	120.84	14.81	120.84	15.49	120.84	16.20																			
	24	-4.4	124.92	11.23	123.54	11.70	122.16	12.18	123.40	12.67	121.48	15.95	121.46	16.13	121.18	16.49	120.90	16.86																			
	28	-2.2	137.13	11.12	131.53	11.62	126.16	12.14	126.08	12.57	123.48	16.58	123.42	16.00	121.73	15.57	120.07	15.16																			
	32	0	141.70	11.87	138.95	12.18	136.25	12.49	128.76	12.49	126.81	15.89	124.32	15.39	120.76	14.05	117.30	12.82																			
	40	4.4	154.28	11.67	147.75	11.71	141.49	11.75	131.45	11.73	130.60	14.37	126.42	13.58	120.09	12.03	114.07	10.66																			
	43	6.1	169.08	11.70	158.05	11.50	147.74	11.30	134.13	10.42	133.31	11.96	128.55	11.31	120.22	9.89	112.43	8.65																			
	47	8.3	169.08	14.46	158.05	13.16	147.74	11.97	136.54	10.15	133.31	10.91	130.12	10.27	120.32	9.00	111.26	7.89																			
	50	10	169.08	13.58	158.05	12.46	147.74	11.42	136.54	10.03	133.31	10.23	127.81	9.75	118.19	8.72	109.30	7.79																			
	53	11.7	169.08	12.88	158.05	11.79	147.74	10.80	136.54	9.89	133.31	9.72	127.81	9.25	118.19	8.34	109.30	7.52																			
	56	13.3	169.08	12.87	158.05	11.82	147.74	10.85	136.54	9.92	133.31	9.67	127.81	9.26	118.19	8.32	109.30	7.48																			
	57	13.9	169.08	12.73	158.05	11.61	147.74	10.59	136.54	9.81	133.31	9.53	127.81	9.12	118.19	8.19	109.30	7.36																			
	60	15.6	169.08	12.72	158.05	11.62	147.74	10.61	136.54	9.76	133.31	9.02	127.81	8.96	118.19	8.05	109.30	7.24																			

130%

Combination	Outdoor Ambient Temperature		Indoor Ambient Temperature °F WB(°C WB)																																															
			59(15)						64(17.8)						68(20)						70(21.1)						72(22.2)						74(23.3)						75(23.9)						80(26.7)					
			°F DB	°C DB	TC	KBTU	PI	KW	TC	KBTU	PI	KW	TC	KBTU	PI	KW	TC	KBTU	PI	KW	TC	KBTU	PI	KW	TC	KBTU	PI	KW	TC	KBTU	PI	KW	TC	KBTU	PI	KW														
	-22	-30	50.24	11.71	46.96	11.30	43.90	10.93	39.85	10.39	39.61	10.94	38.19	10.78	35.72	10.54	33.41	10.34																																
	-13	-25	102.15	12.38	95.48	12.93	89.26	13.49	81.03	14.05	80.54	16.34	77.66	16.64	72.63	17.32	67.92	18.03																																
	-4	-20	118.89	11.78	111.14	12.29	103.89	12.84	94.32	13.37	93.74	15.54	90.39	15.83	84.54	16.48	79.06	17.15																																
	-2.2	-19	120.56	11.50	112.70	12.00	105.35	12.53	95.64	13.05	95.06	15.17	91.67	15.45	85.73	16.09	80.17	16.75																																
	4.1	-15.5	128.94	10.85	120.53	11.33	112.67	11.83	102.29	12.31	101.66	14.32	98.03	14.58	91.68	15.18	85.74	15.80																																
	12	-11.1	130.61	9.85	122.09	10.29	114.13	10.74	103.61	11.18	102.98	13.00	99.30	13.24	92.87	13.79	86.85	14.35																																
	13.1	-10.5	135.64	9.66	126.79	10.08	118.52	10.53	107.60	10.96	106.94	12.74	103.12	12.98	96.44	13.51	90.19	14.07																																
	15	-9.4	85.63	8.05	85.63	8.40	85.63	8.77	86.50	9.13	85.63	10.62	85.63	10.82	85.63	11.26	85.63	11.72																																
	18	-7.8	118.36	10.57	118.36	10.84	118.36	11.12	119.55	11.73	118.36	13.84	118.36	14.23	118.36	14.79	118.36	15.38																																
	21	-6.1	119.68	10.74	119.40	11.21	119.12	11.71	120.88	12.19	119.12	14.76	119.67	14.96	119.67	15.65	119.67	16.37																																
	24	-4.4	123.72	11.34	122.35	11.82	120.99	12.31	122.21	12.80	120.31	16.12	120.29	16.29	120.02	16.66	119.74	17.04																																
	28	-2.2	135.81	11.23	130.27	11.74	124.95	12.26	124.87	12.70	122.29	16.75	122.23	16.16	120.56	15.73	118.92	15.32																																
	32	0	140.34	12.00	137.62	12.30	134.94	12.62	127.53	12.62	125.59	16.06	123.13	15.55	119.60	14.20	116.17	12.96																																
	40	4.4	152.80	11.79	146.33	11.83	140.13	11.87	130.18	11.86	129.35	14.52	125.21	13.72	118.93	12.16	112.97	10.77																																
	43	6.1	167.45	11.82	156.53	11.62	146.32	11.42	132.84	10.53	132.03	12.08	127.31	11.42	119.06	9.99	111.35	8.74																																
	47	8.3	167.45	14.61	156.53	13.29	146.32	12.10	135.23	10.26	132.03	11.02	128.86	10.38	119.16	9.10	110.20	7.97																																
	50	10	167.45	13.72	156.53	12.58	146.32	11.54	135.23	10.13	132.03	10.34	126.59	9.85	117.06	8.81	108.25	7.87																																
	53	11.7	167.45	13.01	156.53	11.91	146.32	10.91	135.23	9.99	132.03	9.82	126.59	9.35	117.06	8.43	108.25	7.60																																
	56	13.3	167.45	13.00	156.53	11.94	146.32	10.96	135.23	10.02	132.03	9.77	126.59	9.35	117.06	8.41	108.25	7.55																																
	57	13.9	167.45	12.86	156.53	11.73	146.32	10.70	135.23	9.91	132.03	9.63	126.59	9.22	117.06	8.28	108.25	7.44																																
	60	15.6	167.45	12.85	156.53	11.73	146.32	10.72	135.23	9.86	132.03	9.11	126.59	9.05	117.06	8.13	108.25	7.31																																

Combination	Outdoor Ambient Temperature		Indoor Ambient Temperature °F WB(°C WB)																															
			59(15)				64(17.8)				68(20)				70(21.1)				72(22.2)				74(23.3)				75(23.9)				80(26.7)			
	°F DB	°C DB	TC	KBTU	PI	KW	TC	KBTU	PI	KW	TC	KBTU	PI	KW	TC	KBTU	PI	KW	TC	KBTU	PI	KW	TC	KBTU	PI	KW	TC	KBTU	PI	KW				
	-22	-30	49.26	11.58	46.05	11.18	43.04	10.82	39.08	10.30	38.84	10.86	37.45	10.70	35.03	10.47	32.76	10.28																
	-13	-25	100.16	12.51	93.63	13.06	87.52	13.63	79.46	14.20	78.97	16.50	76.15	16.81	71.22	17.50	66.60	18.22																
	-4	-20	116.58	11.90	108.98	12.42	101.87	12.97	92.48	13.50	91.92	15.70	88.64	15.99	82.89	16.65	77.52	17.33																
	-2.2	-19	118.22	11.61	110.51	12.12	103.31	12.66	93.79	13.18	93.22	15.32	89.89	15.61	84.06	16.25	78.62	16.92																
	4.1	-15.5	126.43	10.96	118.19	11.44	110.48	11.95	100.30	12.44	99.69	14.46	96.13	14.73	89.90	15.34	84.07	15.97																
	12	-11.1	128.08	9.95	119.72	10.39	111.91	10.85	101.60	11.30	100.98	13.13	97.38	13.38	91.07	13.93	85.17	14.50																
	13.1	-10.5	133.00	9.76	124.33	10.18	116.22	10.63	105.51	11.07	104.87	12.87	101.12	13.11	94.57	13.65	88.44	14.21																
	15	-9.4	83.97	8.13	83.97	8.49	83.97	8.86	84.82	9.23	83.97	10.73	83.97	10.93	83.97	11.37	83.97	11.84																
	18	-7.8	116.06	10.68	116.06	10.95	116.06	11.24	117.23	11.85	116.06	13.98	116.06	14.38	116.06	14.94	116.06	15.53																
	21	-6.1	117.35	10.85	117.08	11.33	116.81	11.83	118.54	12.31	116.81	14.91	117.35	15.12	117.35	15.81	117.35	16.54																
	24	-4.4	121.32	11.46	119.97	11.94	118.64	12.44	119.84	12.93	117.97	16.28	117.96	16.46	117.68	16.83	117.41	17.21																
	28	-2.2	133.17	11.35	127.74	11.86	122.52	12.39	122.44	12.83	119.92	16.92	119.86	16.33	118.22	15.90	116.61	15.47																
	32	0	137.62	12.12	134.94	12.43	132.32	12.74	125.05	12.74	123.15	16.22	120.74	15.71	117.28	14.34	113.91	13.09																
	40	4.4	149.83	11.91	143.48	11.95	137.41	11.99	127.65	11.98	126.84	14.67	122.78	13.86	116.62	12.28	110.78	10.88																
	43	6.1	164.20	11.94	153.49	11.73	143.48	11.54	130.26	10.63	129.47	12.20	124.84	11.54	116.75	10.09	109.19	8.83																
	47	8.3	164.20	14.76	153.49	13.43	143.48	12.22	132.60	10.36	129.47	11.13	126.36	10.48	116.85	9.19	108.06	8.05																
	50	10	164.20	13.86	153.49	12.71	143.48	11.66	132.60	10.23	129.47	10.44	124.13	9.95	114.78	8.90	106.14	7.95																
	53	11.7	164.20	13.14	153.49	12.04	143.48	11.02	132.60	10.10	129.47	9.92	124.13	9.44	114.78	8.51	106.14	7.68																
	56	13.3	164.20	13.13	153.49	12.06	143.48	11.07	132.60	10.12	129.47	9.87	124.13	9.45	114.78	8.49	106.14	7.63																
	57	13.9	164.20	12.99	153.49	11.85	143.48	10.81	132.60	10.01	129.47	9.73	124.13	9.31	114.78	8.36	106.14	7.51																
	60	15.6	164.20	12.98	153.49	11.85	143.48	10.83	132.60	9.96	129.47	9.20	124.13	9.14	114.78	8.22	106.14	7.39																

Combination	Outdoor Ambient Temperature °C DB		Indoor Ambient Temperature °F WB(°C WB)																																																																																																																																																																																																																																																																																																																																																																																							
			59(15)				64(17.8)				68(20)				70(21.1)				72(22.2)				74(23.3)				75(23.9)				80(26.7)																																																																																																																																																																																																																																																																																																																																																											
			TC	PI	KW	KBTU	TC	PI	KW	KBTU	TC	PI	KW	KBTU	TC	PI	KW	KBTU	TC	PI	KW	KBTU	TC	PI	KW	KBTU	TC	PI	KW	KBTU	TC	PI	KW	KBTU																																																																																																																																																																																																																																																																																																																																																								
	-22	-30	48.77	11.53	45.59	11.14	42.62	10.79	38.83	10.81	38.46	10.84	37.08	10.68	34.68	10.46	32.43	10.27	-13	-25	99.17	12.63	92.70	13.19	86.66	13.77	78.07	14.17	78.19	16.67	75.40	16.98	70.51	17.68	65.95	18.40	-4	-20	115.43	12.02	107.90	12.55	100.86	13.10	90.49	14.09	91.01	15.86	87.76	16.15	82.07	16.81	76.76	17.50	-2.2	-19	117.05	11.73	109.42	12.25	102.28	12.79	91.20	13.89	92.29	15.48	89.00	15.77	83.23	16.41	77.84	17.09	4.1	-15.5	125.18	11.07	117.02	11.56	109.39	12.07	104.92	13.80	98.70	14.61	95.18	14.88	89.01	15.49	83.24	16.13	12	-11.1	126.81	10.06	118.54	10.50	110.81	10.96	105.76	8.39	99.98	13.27	96.41	13.51	90.17	14.07	84.32	14.65	13.1	-10.5	131.68	9.85	123.10	10.29	115.07	10.74	114.78	7.46	103.83	13.00	100.12	13.24	93.63	13.79	87.57	14.35	15	-9.4	83.14	8.21	83.14	8.57	83.14	8.95	84.72	9.32	83.14	10.83	83.14	11.04	83.14	11.49	83.14	11.96	18	-7.8	114.91	10.79	114.91	11.06	114.91	11.35	116.07	11.97	114.91	14.12	114.91	14.52	114.91	15.10	114.91	15.69	21	-6.1	116.19	10.96	115.92	11.44	115.65	11.95	117.36	12.44	115.65	15.06	116.19	15.27	116.19	15.97	116.19	16.70	24	-4.4	120.12	11.57	118.79	12.06	117.47	12.56	118.65	13.06	116.81	16.45	116.79	16.63	116.52	17.00	116.25	17.38	28	-2.2	131.85	11.46	126.47	11.97	121.31	12.51	121.23	12.96	118.73	17.09	118.67	16.49	117.05	16.06	115.46	15.63	32	0	136.25	12.24	133.61	12.55	131.01	12.87	123.81	12.87	121.93	16.38	119.54	15.87	116.11	14.48	112.79	13.22	40	4.4	148.35	12.03	142.06	12.07	136.05	12.11	126.39	12.10	125.58	14.82	121.56	14.00	115.47	12.41	109.68	10.99	43	6.1	162.57	12.06	151.97	11.85	142.06	11.65	129.42	10.74	128.18	12.33	123.61	11.66	115.60	10.19	108.11	8.91	47	8.3	162.57	14.91	151.97	13.57	142.06	12.34	131.29	10.47	128.18	11.24	125.11	10.59	115.69	9.28	106.99	8.14	50	10	162.57	14.00	151.97	12.84	142.06	11.78	131.29	10.34	128.18	10.55	122.90	10.05	113.65	8.99	105.09	8.03	53	11.7	162.57	13.27	151.97	12.16	142.06	11.14	131.29	10.20	128.18	10.02	122.90	9.54	113.65	8.60	105.09	7.75	56	13.3	162.57	13.26	151.97	12.18	142.06	11.19	131.29	10.23	128.18	9.97	122.90	9.54	113.65	8.58	105.09	7.71	57	13.9	162.57	13.12	151.97	11.97	142.06	10.92	131.29	10.11	128.18	9.83	122.90	9.40	113.65	8.45	105.09	7.59	60	15.6	162.57	13.11	151.97	11.97	142.06	10.93	131.29	10.06	128.18	9.29	122.90	9.23	113.65	8.30	105.09	7.46

Combination	Outdoor Ambient Temperature		Indoor Ambient Temperature °F WB(°C WB)																									
			59(15)			64(17.8)			68(20)			70(21.1)			72(22.2)			74(23.3)			75(23.9)			80(26.7)				
	°F DB	°C DB	TC	KBTU	PI	kW	TC	KBTU	PI	kW	TC	KBTU	PI	kW	TC	KBTU	PI	kW	TC	KBTU	PI	kW	TC	KBTU	PI	kW		
	-22	-30	44.87	10.58	41.94	10.21	39.21	9.89	35.60	9.41	35.38	9.93	34.12	9.79	31.90	9.58	29.84	9.40										
	-13	-25	91.24	11.50	85.29	12.00	79.72	12.53	72.38	13.05	71.94	15.17	69.37	15.45	64.87	16.09	60.67	16.75										
	-4	-20	106.19	10.94	99.27	11.42	92.79	11.92	84.24	12.41	83.73	14.43	80.74	14.70	75.51	15.30	70.62	15.93										
	-2.2	-19	107.69	10.68	100.67	11.14	94.10	11.64	85.43	12.12	84.91	14.09	81.88	14.35	76.57	14.94	71.61	15.55										
	4.1	-15.5	115.17	10.08	107.66	10.52	100.64	10.98	91.36	11.44	90.81	13.29	87.56	13.54	81.89	14.10	76.58	14.68										
	12	-11.1	116.66	9.15	109.05	9.55	101.94	9.97	92.55	10.39	91.99	12.07	88.70	12.30	82.95	12.80	77.58	13.33										
	13.1	-10.5	121.15	8.97	113.25	9.36	105.86	9.77	96.11	10.18	95.52	11.83	92.11	12.05	86.14	12.55	80.56	13.06										
	15	-9.4	76.49	7.47	76.49	7.80	76.49	8.14	77.26	8.48	76.49	9.86	76.49	10.04	76.49	10.46	76.49	10.88										
	18	-7.8	105.72	9.82	105.72	10.07	105.72	10.33	106.79	10.89	105.72	12.85	105.72	13.22	105.72	13.74	105.72	14.28										
	21	-6.1	106.89	9.97	106.65	10.41	106.40	10.87	107.97	11.32	106.40	13.71	106.89	13.89	106.89	14.53	106.89	15.20										
90%	24	-4.4	110.51	10.53	109.28	10.97	108.07	11.43	109.16	11.89	107.46	14.97	107.45	15.13	107.20	15.47	106.95	15.82										
	28	-2.2	121.31	10.43	116.35	10.90	111.61	11.38	111.53	11.79	109.23	15.55	109.18	15.01	107.69	14.61	106.22	14.22										
	32	0	125.35	11.14	122.92	11.42	120.53	11.71	113.91	11.71	112.18	14.91	109.98	14.44	106.83	13.18	103.76	12.03										
	40	4.4	136.48	10.95	130.70	10.99	125.16	11.02	116.28	11.01	115.53	13.49	111.84	12.74	106.23	11.29	100.91	10.00										
	43	6.1	149.57	10.97	139.81	10.79	130.70	10.60	118.65	9.77	117.93	11.22	113.72	10.61	106.35	9.28	99.46	8.11										
	47	8.3	149.57	13.57	139.81	12.35	130.70	11.23	120.79	9.53	117.93	10.23	115.10	9.64	106.44	8.45	98.43	7.40										
	50	10	149.57	12.74	139.81	11.69	130.70	10.72	120.79	9.41	117.93	9.60	113.07	9.15	104.56	8.18	96.69	7.31										
	53	11.7	149.57	12.08	139.81	11.06	130.70	10.13	120.79	9.28	117.93	9.11	113.07	8.68	104.56	7.83	96.69	7.06										
	56	13.3	149.57	12.07	139.81	11.08	130.70	10.18	120.79	9.30	117.93	9.07	113.07	8.69	104.56	7.81	96.69	7.02										
	57	13.9	149.57	11.94	139.81	10.89	130.70	9.94	120.79	9.20	117.93	8.94	113.07	8.56	104.56	7.69	96.69	6.91										
	60	15.6	149.57	11.93	139.81	10.90	130.70	9.95	120.79	9.15	117.93	8.46	113.07	8.40	104.56	7.55	96.69	6.79										

Combination	Outdoor Ambient Temperature		Indoor Ambient Temperature °F WB(°C WB)																										
	°F DB	°C DB	59(15)			64(17.8)			68(20)			70(21.1)			72(22.2)			74(23.3)			75(23.9)			80(26.7)					
			TC	PI	KW	TC	PI	KW	TC	PI	KW	TC	PI	KW	TC	PI	KW	TC	PI	KW	TC	PI	KW	TC	PI	KW			
	-22	-30	39.51	9.10	36.93	8.77	34.52	8.48	31.34	8.05	31.15	8.46	30.04	8.33	28.09	8.14	26.27	7.97											
	-13	-25	80.33	9.31	75.09	9.72	70.19	10.15	63.72	10.57	63.34	12.29	61.07	12.52	57.12	13.03	53.42	13.56											
	-4	-20	93.50	8.86	87.40	9.25	81.70	9.65	74.17	10.05	73.72	11.69	71.09	11.91	66.48	12.39	62.17	12.90											
	-2.2	-19	94.81	8.65	88.63	9.03	82.85	9.42	75.22	9.81	74.76	11.41	72.09	11.62	67.42	12.10	63.05	12.60											
	4.1	-15.5	101.40	8.16	94.78	8.52	88.60	8.89	80.44	9.26	79.95	10.77	77.09	10.97	72.10	11.42	67.43	11.89											
	12	-11.1	102.71	7.41	96.02	7.74	89.75	8.08	81.48	8.41	80.99	9.78	78.09	9.96	73.03	10.37	68.30	10.80											
	13.1	-10.5	106.66	7.26	99.71	7.58	93.21	7.92	84.62	8.24	84.10	9.58	81.10	9.76	75.84	10.16	70.93	10.58											
	15	-9.4	67.34	6.05	67.34	6.32	67.34	6.60	68.02	6.87	67.34	7.99	67.34	8.14	67.34	8.47	67.34	8.82											
	18	-7.8	93.08	7.95	93.08	8.16	93.08	8.37	94.02	8.82	93.08	10.41	93.08	10.71	93.08	11.13	93.08	11.56											
	21	-6.1	94.11	8.08	93.90	8.43	93.68	8.81	95.06	9.17	93.68	11.10	94.11	11.25	94.11	11.77	94.11	12.31											
	24	-4.4	97.30	8.53	96.22	8.89	95.15	9.26	96.11	9.63	94.61	12.12	94.60	12.26	94.38	12.53	94.16	12.81											
	28	-2.2	106.80	8.45	102.44	8.83	98.26	9.22	98.20	9.55	96.17	12.60	96.12	12.16	94.81	11.83	93.52	11.52											
	32	0	110.37	9.02	108.22	9.25	106.12	9.49	100.29	9.49	98.77	12.08	96.83	11.70	94.05	10.68	91.36	9.75											
	40	4.4	120.16	8.87	115.07	8.90	110.20	8.93	102.38	8.92	101.72	10.92	98.46	10.32	93.53	9.14	88.84	8.10											
	43	6.1	131.68	8.89	123.10	8.74	115.07	8.59	104.47	7.92	103.83	9.09	100.12	8.59	93.63	7.51	87.57	6.57											
	47	8.3	131.68	10.99	123.10	10.00	115.07	9.10	106.35	7.72	103.83	8.29	101.34	7.81	93.71	6.84	86.66	6.00											
	50	10	131.68	10.32	123.10	9.47	115.07	8.68	106.35	7.62	103.83	7.77	99.55	7.41	92.05	6.62	85.13	5.92											
	53	11.7	131.68	9.78	123.10	8.96	115.07	8.21	106.35	7.52	103.83	7.38	99.55	7.03	92.05	6.34	85.13	5.72											
	56	13.3	131.68	9.78	123.10	8.98	115.07	8.24	106.35	7.54	103.83	7.35	99.55	7.04	92.05	6.32	85.13	5.68											
	57	13.9	131.68	9.67	123.10	8.82	115.07	8.05	106.35	7.45	103.83	7.24	99.55	6.93	92.05	6.23	85.13	5.59											
	60	15.6	131.68	9.67	123.10	8.83	115.07	8.06	106.35	7.41	103.83	6.85	99.55	6.81	92.05	6.12	85.13	5.50											

Combination	Outdoor Ambient Temperature		Indoor Ambient Temperature °F WB(°C WB)																										
			59(15)			64(17.8)			68(20)			70(21.1)			72(22.2)			74(23.3)			75(23.9)			80(26.7)					
			°F DB	°C DB	TC	KBTU	PI	kW	TC	KBTU	PI	kW	TC	KBTU	PI	kW	TC	KBTU	PI	kW	TC	KBTU	PI	kW	TC	KBTU	PI	kW	
	-22	-30	34.14	8.07	31.91	7.80	29.83	7.55	27.08	7.19	26.92	7.59	25.96	7.48	24.28	7.32	22.70	7.19											
	-13	-25	69.42	8.84	64.89	9.23	60.66	9.64	55.07	10.04	54.73	11.67	52.78	11.89	49.36	12.37	46.16	12.88											
	-4	-20	80.80	8.41	75.53	8.78	70.60	9.17	64.10	9.55	63.71	11.10	61.43	11.31	57.45	11.77	53.73	12.25											
	-2.2	-19	81.94	8.21	76.59	8.57	71.60	8.95	65.00	9.32	64.60	10.83	62.30	11.04	58.26	11.49	54.49	11.96											
	4.1	-15.5	87.63	7.75	81.91	8.09	76.57	8.45	69.51	8.80	69.09	10.23	66.62	10.42	62.31	10.84	58.27	11.29											
	12	-11.1	88.77	7.04	82.98	7.35	77.56	7.67	70.42	7.99	69.99	9.29	67.49	9.46	63.12	9.85	59.03	10.25											
	13.1	-10.5	92.18	6.90	86.17	7.20	80.55	7.52	73.13	7.83	72.68	9.10	70.08	9.27	65.54	9.65	61.30	10.05											
	15	-9.4	58.20	5.75	58.20	6.00	58.20	6.27	58.79	6.52	58.20	7.58	58.20	7.73	58.20	8.04	58.20	8.37											
	18	-7.8	80.44	7.55	80.44	7.75	80.44	7.95	81.25	8.38	80.44	9.88	80.44	10.17	80.44	10.57	80.44	10.98											
	21	-6.1	81.33	7.67	81.15	8.01	80.96	8.36	82.15	8.71	80.96	10.54	81.33	10.69	81.33	11.18	81.33	11.69											
70%	24	-4.4	84.08	8.10	83.15	8.44	82.23	8.79	83.06	9.15	81.76	11.51	81.75	11.64	81.56	11.90	81.37	12.17											
	28	-2.2	92.30	8.02	88.53	8.38	84.92	8.76	84.86	9.07	83.11	11.96	83.07	11.55	81.94	11.24	80.82	10.94											
	32	0	95.38	8.57	93.53	8.79	91.71	9.01	86.67	9.01	85.35	11.47	83.68	11.11	81.28	10.14	78.95	9.25											
	40	4.4	103.84	8.42	99.44	8.45	95.23	8.48	88.47	8.47	87.91	10.37	85.09	9.80	80.83	8.68	76.78	7.69											
	43	6.1	113.80	8.44	106.38	8.30	99.44	8.16	90.28	7.52	89.73	8.63	86.52	8.16	80.92	7.14	75.67	6.24											
	47	8.3	113.80	10.44	106.38	9.50	99.44	8.64	91.90	7.33	89.73	7.87	87.58	7.41	80.99	6.50	74.89	5.69											
	50	10	113.80	9.80	106.38	8.99	99.44	8.24	91.90	7.24	89.73	7.38	86.03	7.04	79.55	6.29	73.57	5.62											
	53	11.7	113.80	9.29	106.38	8.51	99.44	7.79	91.90	7.14	89.73	7.01	86.03	6.68	79.55	6.02	73.57	5.43											
	56	13.3	113.80	9.29	106.38	8.53	99.44	7.83	91.90	7.16	89.73	6.98	86.03	6.68	79.55	6.00	73.57	5.40											
	57	13.9	113.80	9.19	106.38	8.38	99.44	7.65	91.90	7.08	89.73	6.88	86.03	6.58	79.55	5.91	73.57	5.31											
	60	15.6	113.80	9.18	106.38	8.38	99.44	7.65	91.90	7.04	89.73	6.51	86.03	6.46	79.55	5.81	73.57	5.22											

Combination	Outdoor Ambient Temperature °C DB		Indoor Ambient Temperature °F WB(°C WB)																							
			59(15)			64(17.8)			68(20)			70(21.1)			72(22.2)			74(23.3)			75(23.9)			80(26.7)		
			TC	PI	KW	TC	PI	KW	TC	PI	KW	TC	PI	KW	TC	PI	KW	TC	PI	KW	TC	PI	KW	TC	PI	KW
	-22	-30	30.73	7.23	28.72	6.98	26.85	6.76	24.38	6.43	24.23	6.78	23.36	6.69	21.85	6.54	20.43	6.42								
	-13	-25	62.48	7.83	58.40	8.18	54.59	8.54	49.56	8.89	49.26	10.33	47.50	10.53	44.42	10.96	41.55	11.41								
	-4	-20	72.72	7.45	67.98	7.78	63.54	8.12	57.69	8.46	57.34	9.83	55.29	10.01	51.71	10.42	48.36	10.85								
	-2.2	-19	73.74	7.27	68.93	7.59	64.44	7.93	58.50	8.25	58.14	9.60	56.07	9.78	52.43	10.18	49.04	10.59								
	4.1	-15.5	78.86	6.86	73.72	7.17	68.91	7.48	62.56	7.79	62.18	9.06	59.96	9.23	56.08	9.60	52.44	10.00								
	12	-11.1	79.89	6.23	74.68	6.51	69.81	6.79	63.38	7.08	62.99	8.23	60.74	8.38	56.80	8.72	53.12	9.08								
	13.1	-10.5	82.96	6.11	77.55	6.38	72.49	6.66	65.81	6.93	65.41	8.06	63.08	8.21	58.99	8.55	55.17	8.90								
	15	-9.4	52.38	5.09	52.38	5.32	52.38	5.55	52.91	5.78	52.38	6.72	52.38	6.84	52.38	7.12	52.38	7.42								
	18	-7.8	72.39	6.69	72.39	6.86	72.39	7.04	73.13	7.42	72.39	8.75	72.39	9.01	72.39	9.36	72.39	9.73								
	21	-6.1	73.20	6.79	73.03	7.09	72.86	7.41	73.94	7.71	72.86	9.34	73.20	9.47	73.20	9.90	73.20	10.36								
60%	24	-4.4	75.68	7.18	74.83	7.48	74.00	7.79	74.75	8.10	73.59	10.20	73.58	10.31	73.41	10.54	73.24	10.78								
	28	-2.2	83.07	7.11	79.68	7.42	76.43	7.76	76.38	8.04	74.80	10.60	74.76	10.23	73.74	9.95	72.74	9.69								
	32	0	85.84	7.59	84.17	7.78	82.54	7.98	78.00	7.98	76.82	10.16	75.31	9.84	73.15	8.98	71.06	8.20								
	40	4.4	93.46	7.46	89.50	7.49	85.71	7.51	79.63	7.50	79.12	9.19	76.58	8.68	72.75	7.69	69.10	6.82								
	43	6.1	102.42	7.48	95.74	7.35	89.50	7.22	81.25	6.66	80.76	7.64	77.87	7.23	72.83	6.32	68.11	5.53								
	47	8.3	102.42	9.24	95.74	8.41	89.50	7.65	82.71	6.49	80.76	6.97	78.82	6.57	72.89	5.75	67.40	5.04								
	50	10	102.42	8.68	95.74	7.96	89.50	7.30	82.71	6.41	80.76	6.54	77.43	6.23	71.60	5.57	66.21	4.98								
	53	11.7	102.42	8.23	95.74	7.54	89.50	6.90	82.71	6.32	80.76	6.21	77.43	5.91	71.60	5.33	66.21	4.81								
	56	13.3	102.42	8.22	95.74	7.55	89.50	6.94	82.71	6.34	80.76	6.18	77.43	5.92	71.60	5.32	66.21	4.78								
	57	13.9	102.42	8.14	95.74	7.42	89.50	6.77	82.71	6.27	80.76	6.09	77.43	5.83	71.60	5.24	66.21	4.71								
	60	15.6	102.42	8.13	95.74	7.42	89.50	6.78	82.71	6.24	80.76	5.76	77.43	5.72	71.60	5.15	66.21	4.63								

Combination	Outdoor Ambient Temperature °F DB °C DB	Indoor Ambient Temperature °F WB(°C WB)																								
		59(15)			64(17.8)			68(20)			70(21.1)			72(22.2)			74(23.3)			75(23.9)			80(26.7)			
		TC	PI	KW	TC	PI	KW	TC	PI	KW	TC	PI	KW	TC	PI	KW	TC	PI	KW	TC	PI	KW	TC	PI	KW	
	-22	-30	26.34	6.59	24.62	6.39	23.01	6.22	20.89	5.96	20.77	6.33	20.02	6.26	18.73	6.15	17.51	6.07								
	-13	-25	53.55	8.21	50.06	8.57	46.79	8.95	42.48	9.32	42.22	10.83	40.72	11.04	38.08	11.49	35.61	11.96								
	-4	-20	62.33	7.81	58.27	8.15	54.47	8.51	49.45	8.87	49.15	10.31	47.39	10.50	44.32	10.93	41.45	11.38								
	-2.2	-19	63.21	7.63	59.09	7.96	55.23	8.31	50.14	8.65	49.84	10.06	48.06	10.25	44.94	10.67	42.03	11.11								
	4.1	-15.5	67.60	7.20	63.19	7.51	59.07	7.84	53.63	8.17	53.30	9.50	51.40	9.67	48.07	10.07	44.95	10.48								
	12	-11.1	68.48	6.54	64.01	6.82	59.84	7.12	54.32	7.42	53.99	8.62	52.06	8.78	48.69	9.14	45.53	9.52								
	13.1	-10.5	71.11	6.41	66.47	6.69	62.14	6.98	56.41	7.27	56.07	8.45	54.07	8.61	50.56	8.96	47.29	9.33								
	15	-9.4	44.90	5.34	44.90	5.57	44.90	5.82	45.35	6.06	44.90	7.04	44.90	7.17	44.90	7.47	44.90	7.77								
	18	-7.8	62.05	7.01	62.05	7.19	62.05	7.38	62.68	7.78	62.05	9.18	62.05	9.44	62.05	9.81	62.05	10.20								
	21	-6.1	62.74	7.12	62.60	7.44	62.45	7.77	63.38	8.08	62.45	9.79	62.74	9.92	62.74	10.38	62.74	10.86								
	24	-4.4	64.86	7.52	64.14	7.84	63.43	8.16	64.07	8.49	63.08	10.69	63.07	10.81	62.92	11.05	62.77	11.30								
	28	-2.2	71.20	7.45	68.29	7.78	65.51	8.13	65.47	8.42	64.11	11.11	64.08	10.72	63.21	10.44	62.35	10.16								
	32	0	73.58	7.96	72.15	8.16	70.75	8.37	66.86	8.37	65.84	10.65	64.55	10.32	62.70	9.42	60.90	8.59								
	40	4.4	80.11	7.82	76.71	7.85	73.47	7.87	68.25	7.86	67.81	9.63	65.64	9.10	62.35	8.06	59.23	7.14								
	43	6.1	87.79	7.84	82.06	7.70	76.71	7.57	69.64	6.98	69.22	8.01	66.75	7.58	62.42	6.63	58.38	5.79								
	47	8.3	87.79	9.69	82.06	8.82	76.71	8.02	70.90	6.80	69.22	7.31	67.56	6.88	62.47	6.03	57.77	5.29								
	50	10	87.79	9.10	82.06	8.35	76.71	7.65	70.90	6.72	69.22	6.86	66.37	6.54	61.37	5.84	56.75	5.22								
	53	11.7	87.79	8.63	82.06	7.90	76.71	7.24	70.90	6.63	69.22	6.51	66.37	6.20	61.37	5.59	56.75	5.04								
	56	13.3	87.79	8.62	82.06	7.92	76.71	7.27	70.90	6.65	69.22	6.48	66.37	6.20	61.37	5.58	56.75	5.01								
	57	13.9	87.79	8.53	82.06	7.78	76.71	7.10	70.90	6.57	69.22	6.39	66.37	6.11	61.37	5.49	56.75	4.93								
	60	15.6	87.79	8.52	82.06	7.78	76.71	7.11	70.90	6.54	69.22	6.04	66.37	6.00	61.37	5.39	56.75	4.85								

50%

MVHQ144ME2CA
230v heating capacity

Combination	Outdoor Ambient Temperature		Indoor Ambient Temperature °F WB(°C WB)																																																																																																																																																																																																																																																																																																																																					
			59(15)			64(17.8)			68(20)			70(21.1)			72(22.2)			74(23.3)			75(23.9)			80(26.7)																																																																																																																																																																																																																																																																																																																
			TC	KBTU	PI	TC	KBTU	PI	TC	KBTU	PI	TC	KBTU	PI	TC	KBTU	PI	TC	KBTU	PI	TC	KBTU	PI	TC	KBTU	PI																																																																																																																																																																																																																																																																																																														
	°F DB	°C DB	60.55	56.60	15.50	52.91	48.04	13.54	47.74	13.63	46.04	13.26	43.06	12.60	40.27	11.98	123.12	115.09	24.36	107.59	23.77	97.67	22.25	97.08	22.85	93.61	22.49	87.55	21.86	81.87	21.25	143.31	133.96	23.71	125.23	23.14	113.69	21.66	112.99	22.24	108.96	21.89	101.90	21.28	95.30	20.68	145.33	135.85	23.10	126.99	22.54	114.59	21.66	110.49	21.32	103.33	20.72	96.64	20.14	155.42	145.28	22.23	135.81	21.69	123.29	20.30	122.54	20.85	118.17	20.52	110.51	19.95	103.35	19.39	157.44	147.17	18.72	137.57	18.27	124.90	17.10	124.13	17.56	119.70	17.28	111.95	16.80	104.69	16.33	163.49	152.83	17.78	142.86	17.35	129.70	16.24	128.91	16.68	124.31	16.42	116.25	15.96	108.72	15.51	111.17	11.26	111.17	11.76	111.17	12.28	112.29	12.78	111.17	13.08	111.17	13.35	111.17	13.87	111.17	14.42	142.67	12.72	142.67	13.05	142.67	13.39	144.11	14.12	142.67	14.33	142.67	14.54	142.67	15.20	142.67	15.90	144.26	12.92	143.92	13.50	143.59	14.09	145.71	14.67	143.59	14.91	144.25	15.07	144.25	15.41	144.25	15.76	149.14	13.65	147.48	14.22	145.84	14.82	147.31	15.41	145.02	15.66	145.00	15.07	144.66	14.67	144.33	14.28	163.70	13.52	157.02	14.12	150.61	14.76	150.52	15.29	147.41	15.49	147.34	14.60	145.33	13.32	143.34	12.16	169.17	14.44	165.88	14.81	162.66	15.18	153.72	15.18	151.39	14.97	148.42	13.70	144.16	12.14	140.03	10.76	184.18	14.19	176.38	14.24	168.91	14.29	156.92	14.27	155.92	13.63	150.92	12.85	143.36	11.24	136.18	9.83	201.84	14.22	188.68	13.98	176.37	13.74	160.12	12.67	159.15	12.07	153.46	11.98	143.52	10.50	134.22	9.20	201.84	17.59	188.68	16.00	176.37	14.56	163.00	12.35	159.15	12.40	155.33	11.52	143.64	10.29	132.83	9.20	201.84	16.52	188.68	15.15	176.37	13.89	163.00	12.19	159.15	11.93	152.58	11.07	141.10	9.99	130.48	9.00	201.84	15.66	188.68	14.34	176.37	13.13	163.00	12.03	159.15	11.47	152.58	11.05	141.10	9.93	130.48	8.93	201.84	15.65	188.68	14.37	176.37	13.19	163.00	12.06	159.15	11.58	152.58	11.01	141.10	9.89	130.48	8.89	201.84	15.48	188.68	14.12	176.37	12.88	163.00	11.93	159.15	11.38	152.58	10.87	141.10	9.77	130.48	8.78	201.84	15.47	188.68	14.12	176.37	12.90	163.00	11.87	159.15	10.88	152.58	10.84	141.10	9.69	130.48	8.66

130%

Combination	Outdoor Ambient Temperature		Indoor Ambient Temperature °F WB(°C WB)																							
			59(15)			64(17.8)			68(20)			70(21.1)			72(22.2)			74(23.3)			75(23.9)			80(26.7)		
			TC	PI	KW	TC	PI	KW	TC	PI	KW	TC	PI	KW	TC	PI	KW	TC	PI	KW	TC	PI	KW	TC	PI	KW
	°F DB	°C DB	KBTU	PI	KW	TC	KBTU	PI	KW	TC	KBTU	PI	KW	TC	KBTU	PI	KW	TC	KBTU	PI	KW	TC	KBTU	PI	KW	
	-22	-30	59.97	16.28	15.47	56.06	15.47	52.40	14.71	47.57	13.51	47.29	13.61	45.60	13.24	42.64	12.58	39.88	11.97							
	-13	-25	121.94	25.22	24.61	113.99	24.61	106.55	24.02	96.74	22.48	96.15	23.09	92.71	22.72	86.71	22.08	81.09	21.46							
	-4	-20	141.93	24.55	23.96	132.67	23.96	124.02	23.38	112.59	21.88	111.91	22.47	107.91	22.11	100.92	21.50	94.38	20.89							
	-2.2	-19	143.93	23.91	23.33	134.54	23.33	125.77	22.77	114.18	21.31	113.48	21.89	109.43	21.54	102.34	20.94	95.71	20.35							
	4.1	-15.5	153.93	23.01	22.46	143.89	22.46	134.50	21.92	122.11	20.51	121.37	21.07	117.03	20.73	109.45	20.15	102.36	19.59							
	12	-11.1	155.92	19.38	18.91	145.76	18.91	136.25	18.46	123.69	17.27	122.94	17.74	118.55	17.46	110.87	16.97	103.68	16.49							
	13.1	-10.5	161.92	18.41	17.97	151.36	17.97	141.49	17.53	128.45	16.41	127.67	16.85	123.11	16.59	115.13	16.12	107.67	15.67							
	15	-9.4	110.10	11.38	11.88	110.10	11.88	110.10	12.40	111.21	12.92	110.10	13.21	110.10	13.49	110.10	14.02	110.10	14.57							
	18	-7.8	141.30	12.85	13.19	141.30	13.19	141.30	13.53	142.72	14.26	141.30	14.47	141.30	14.69	141.30	15.36	141.30	16.07							
	21	-6.1	142.87	13.06	13.63	142.54	13.63	142.21	14.24	144.31	14.82	142.21	15.06	142.87	15.23	142.87	15.57	142.87	15.92							
	24	-4.4	147.70	13.79	14.37	146.06	14.37	144.44	14.97	145.90	15.57	143.63	15.82	143.61	15.23	143.27	14.82	142.94	14.43							
	28	-2.2	162.13	13.66	14.27	155.51	14.27	149.16	14.91	149.07	15.44	145.99	15.65	145.92	14.75	143.93	13.46	141.97	12.29							
	32	0	167.54	14.59	14.96	164.29	14.96	161.10	15.34	152.24	15.34	149.93	15.12	146.99	13.85	142.78	12.27	138.68	10.87							
	40	4.4	182.41	14.34	14.39	174.68	14.39	167.28	14.44	155.41	14.42	154.42	13.77	149.47	12.98	141.98	11.35	134.87	9.93							
	43	6.1	199.90	14.37	14.13	186.87	14.13	174.68	13.89	158.58	12.80	157.62	12.19	151.99	12.10	142.14	10.61	132.93	9.30							
	47	8.3	199.90	17.77	16.17	186.87	16.17	174.68	14.71	161.44	12.48	157.62	12.52	153.84	11.64	142.26	10.40	131.55	9.30							
	50	10	199.90	16.69	15.30	186.87	15.30	174.68	14.03	161.44	12.32	157.62	12.05	151.12	11.19	139.74	10.09	129.22	9.10							
	53	11.7	199.90	15.82	14.49	186.87	14.49	174.68	13.27	161.44	12.15	157.62	11.59	151.12	11.17	139.74	10.04	129.22	9.02							
	56	13.3	199.90	15.81	14.52	186.87	14.52	174.68	13.33	161.44	12.19	157.62	11.70	151.12	11.13	139.74	10.00	129.22	8.98							
	57	13.9	199.90	15.64	14.27	186.87	14.27	174.68	13.02	161.44	12.05	157.62	11.50	151.12	10.98	139.74	9.87	129.22	8.87							
	60	15.6	199.90	15.63	14.27	186.87	14.27	174.68	13.03	161.44	11.99	157.62	11.00	151.12	10.95	139.74	9.79	129.22	8.75							

120%

Combination	Outdoor Ambient Temperature		Indoor Ambient Temperature °F WB(°C WB)																																																																																																																																																																																																																																																																																																																																																																																											
			59(15)						64(17.8)						68(20)						70(21.1)						72(22.2)						74(23.3)						75(23.9)						80(26.7)																																																																																																																																																																																																																																																																																																																																																	
			TC	PI	KBTU	KW	TC	PI	KBTU	KW	TC	PI	KBTU	KW	TC	PI	KBTU	KW	TC	PI	KBTU	KW	TC	PI	KBTU	KW	TC	PI	KBTU	KW	TC	PI	KBTU	KW	TC	PI	KBTU	KW																																																																																																																																																																																																																																																																																																																																																								
	°F DB	°C DB	-22	-30	58.81	16.14	54.97	15.34	51.39	14.59	46.65	13.41	46.37	13.51	44.71	13.15	41.81	12.50	39.10	11.89	-13	-25	119.57	25.48	111.77	24.86	104.49	24.26	94.86	22.71	94.28	23.32	90.91	22.95	85.02	22.31	79.51	21.68	-4	-20	139.18	24.80	130.10	24.20	121.61	23.62	110.41	22.10	109.74	22.70	105.82	22.34	98.96	21.71	92.55	21.11	-2.2	-19	141.14	24.15	131.93	23.57	123.33	23.00	111.96	21.53	111.28	22.11	107.31	21.76	100.35	21.15	93.85	20.56	4.1	-15.5	150.94	23.25	141.09	22.69	131.89	22.14	119.74	20.72	119.01	21.28	114.76	20.94	107.32	20.36	100.37	19.79	12	-11.1	152.90	19.58	142.93	19.11	133.60	18.64	121.29	17.45	120.55	17.92	116.25	17.64	108.72	17.14	101.67	16.66	13.1	-10.5	158.78	18.60	148.42	18.15	138.74	17.71	125.96	16.58	125.19	17.02	120.72	16.76	112.90	16.29	105.58	15.83	15	-9.4	107.96	11.50	107.96	12.00	107.96	12.53	109.05	13.05	107.96	13.35	107.96	13.62	107.96	14.16	107.96	14.71	18	-7.8	138.55	12.99	138.55	13.32	138.55	13.66	139.95	14.41	138.55	14.62	138.55	14.84	138.55	15.52	138.55	16.23	21	-6.1	140.09	13.19	139.77	13.77	139.45	14.38	141.51	14.97	139.45	15.21	140.09	15.38	140.09	15.73	140.09	16.08	24	-4.4	144.83	13.93	143.22	14.52	141.63	15.12	143.06	15.73	140.84	15.98	140.84	15.38	140.82	15.38	140.49	14.97	140.17	14.57	28	-2.2	158.98	13.80	152.49	14.42	146.27	15.06	146.17	15.60	143.16	15.81	143.09	14.90	141.13	13.60	139.21	12.41	32	0	164.29	14.74	161.10	15.11	157.97	15.50	149.28	15.50	147.02	15.28	144.14	13.99	140.00	12.39	135.99	10.98	40	4.4	178.87	14.49	171.29	14.53	164.04	14.58	152.39	14.56	151.42	13.91	146.57	13.12	139.23	11.47	132.25	10.03	43	6.1	196.02	14.52	183.24	14.27	171.29	14.03	155.50	12.93	154.56	12.32	149.04	12.23	139.38	10.72	130.35	9.39	47	8.3	196.02	17.95	183.24	16.33	171.29	14.86	158.30	12.60	154.56	12.65	150.85	11.75	139.50	10.51	129.00	9.39	50	10	196.02	16.86	183.24	15.46	171.29	14.18	158.30	12.45	154.56	12.18	148.18	11.30	137.03	10.19	126.72	9.19	53	11.7	196.02	15.98	183.24	14.64	171.29	13.41	158.30	12.28	154.56	11.71	148.18	11.28	137.03	10.14	126.72	9.11	56	13.3	196.02	15.97	183.24	14.66	171.29	13.47	158.30	12.31	154.56	11.82	148.18	11.24	137.03	10.10	126.72	9.07	57	13.9	196.02	15.80	183.24	14.41	171.29	13.15	158.30	12.17	154.56	11.61	148.18	11.09	137.03	9.97	126.72	8.96	60	15.6	196.02	15.79	183.24	14.42	171.29	13.16	158.30	12.11	154.56	11.11	148.18	11.06	137.03	9.89	126.72	8.84

Combination	Outdoor Ambient Temperature °C DB		Indoor Ambient Temperature °F WB(°C WB)																																																																																																																																																																																																																																																																																																																																															
			59(15)			64(17.8)			68(20)			70(21.1)			72(22.2)			74(23.3)			75(23.9)			80(26.7)																																																																																																																																																																																																																																																																																																																										
			TC	PI	KW	TC	PI	KW	TC	PI	KW	TC	PI	KW	TC	PI	KW	TC	PI	KW	TC	PI	KW	TC	PI	KW																																																																																																																																																																																																																																																																																																																								
	-22	-30	58.22	16.11	54.43	15.31	50.88	14.57	47.09	12.89	45.91	13.49	44.27	13.13	41.40	12.48	38.72	11.88	118.39	25.73	110.67	25.11	103.45	24.51	92.81	24.68	93.35	23.56	90.01	23.18	84.18	22.53	78.73	21.90	137.80	25.05	128.81	24.44	120.41	23.86	107.89	24.63	108.65	22.93	104.77	22.57	97.98	21.93	91.63	21.32	139.74	24.40	130.62	23.81	122.11	23.24	108.26	22.07	110.18	22.33	106.24	21.98	99.36	21.36	92.92	20.77	149.44	23.48	139.70	22.92	130.59	22.36	123.96	23.23	117.83	21.50	113.62	21.16	106.26	20.56	99.37	19.99	151.38	19.77	141.51	19.30	132.28	18.83	126.25	11.86	119.36	18.10	115.10	17.82	107.64	17.32	100.67	16.83	157.21	18.79	146.95	18.33	137.37	17.89	137.03	10.54	123.95	17.20	119.52	16.92	111.78	16.45	104.54	15.99	106.89	11.61	106.89	12.12	106.89	12.66	109.29	13.17	106.89	13.48	106.89	13.76	106.89	14.30	106.89	14.86	137.18	13.12	137.18	13.46	137.18	13.80	138.57	14.55	137.18	14.77	137.18	14.99	137.18	15.67	137.18	16.39	138.71	13.32	138.39	13.91	138.07	14.53	140.11	15.12	138.07	15.37	138.71	15.54	138.71	15.89	138.71	16.24	143.40	14.08	141.81	14.66	140.23	15.27	141.65	15.89	139.44	16.14	139.42	15.54	139.10	15.12	138.78	14.72	157.41	13.94	150.98	14.56	144.82	15.21	144.73	15.76	141.74	15.97	141.67	15.05	139.74	13.74	137.83	12.54	162.66	14.88	159.50	15.26	156.40	15.65	147.81	15.65	145.56	15.43	142.71	14.13	138.62	12.52	134.64	11.09	177.10	14.63	169.60	14.68	162.41	14.73	150.88	14.71	149.92	14.05	145.12	13.25	137.85	11.59	130.94	10.13	194.08	14.66	181.42	14.41	169.59	14.17	154.36	13.06	153.03	12.44	147.56	12.35	138.00	10.82	129.06	9.49	194.08	18.13	181.42	16.50	169.59	15.01	156.74	12.73	153.03	12.78	149.36	11.87	138.11	10.61	127.72	9.49	194.08	17.03	181.42	15.62	169.59	14.32	156.74	12.57	153.03	12.30	146.72	11.42	135.67	10.29	125.46	9.28	194.08	16.14	181.42	14.78	169.59	13.54	156.74	12.40	153.03	11.83	146.72	11.40	135.67	10.24	125.46	9.20	194.08	16.13	181.42	14.81	169.59	13.60	156.74	12.43	153.03	11.93	146.72	11.35	135.67	10.20	125.46	9.16	194.08	15.96	181.42	14.56	169.59	13.28	156.74	12.30	153.03	11.73	146.72	11.21	135.67	10.07	125.46	9.05	194.08	15.95	181.42	14.56	169.59	13.30	156.74	12.23	153.03	11.22	146.72	11.17	135.67	9.99	125.46	8.93

Combination	Outdoor Ambient Temperature		Indoor Ambient Temperature °F WB(°C WB)																								
			59(15)			64(17.8)			68(20)			70(21.1)			72(22.2)			74(23.3)			75(23.9)			80(26.7)			
			TC	PI	KW	TC	PI	KW	TC	PI	KW	TC	PI	KW	TC	PI	KW	TC	PI	KW	TC	PI	KW	TC	PI	KW	
	°F DB	°C DB	KBTU	PI	KW	KBTU	PI	KW	KBTU	PI	KW	KBTU	PI	KW	KBTU	PI	KW	KBTU	PI	KW	KBTU	PI	KW	KBTU	PI	KW	
	-22	-30	53.57	14.76	14.03	46.81	13.34	13.34	42.49	12.26	12.36	40.73	12.02	12.02	38.09	11.43	11.43	35.62	10.87								
	-13	-25	108.92	23.42	101.81	95.17	22.30	22.30	86.40	20.87	21.44	82.81	21.10	21.10	77.45	20.51	20.51	72.43	19.93								
	-4	-20	126.77	22.79	118.51	110.78	21.71	21.71	100.57	20.32	20.86	96.39	20.54	20.54	90.14	19.96	19.96	84.30	19.40								
	-2.2	-19	128.56	22.20	120.17	112.34	21.14	21.14	101.99	19.79	20.32	97.74	20.00	20.00	91.41	19.44	19.44	85.49	18.90								
	4.1	-15.5	137.49	21.37	128.52	120.14	20.35	20.35	109.07	19.05	19.56	104.53	19.25	19.25	97.76	18.71	18.71	91.42	18.19								
	12	-11.1	139.27	18.00	130.19	121.70	17.14	17.14	110.48	16.04	16.47	105.89	16.21	16.21	99.03	15.76	15.76	92.61	15.32								
	13.1	-10.5	144.63	17.10	135.20	126.38	16.28	16.28	114.73	15.24	15.65	109.96	15.40	15.40	102.84	14.97	14.97	96.17	14.55								
	15	-9.4	98.34	10.57	98.34	98.34	11.52	11.52	99.34	11.99	12.27	98.34	12.52	12.52	98.34	13.01	13.01	98.34	13.53								
	18	-7.8	126.21	11.94	126.21	126.21	12.56	12.56	127.48	13.24	13.44	126.21	13.64	13.64	126.21	14.26	14.26	126.21	14.92								
	21	-6.1	127.61	12.12	127.32	127.02	13.22	13.22	128.90	13.76	13.98	127.02	14.14	14.14	127.61	14.46	14.46	127.61	14.78								
	24	-4.4	131.93	12.81	130.46	129.01	13.90	13.90	130.32	14.46	14.69	128.29	14.14	14.14	127.97	13.76	13.76	127.68	13.40								
	28	-2.2	144.81	12.68	138.90	133.23	13.84	13.84	133.15	14.34	14.53	130.40	13.70	13.70	128.56	12.50	12.50	126.81	11.41								
	32	0	149.65	13.55	146.74	143.89	14.24	14.24	135.98	14.24	14.04	133.92	12.86	12.86	127.53	11.39	11.39	123.87	10.09								
	40	4.4	162.93	13.31	156.03	149.42	13.40	13.40	138.81	13.39	12.79	137.93	12.06	12.06	126.82	10.54	10.54	120.46	9.22								
	43	6.1	178.55	13.34	166.91	156.02	12.89	12.89	141.65	11.88	11.32	140.78	11.24	11.24	126.96	9.85	9.85	118.73	8.63								
	47	8.3	178.55	16.50	166.91	156.02	13.66	13.66	144.20	11.58	11.63	140.78	10.80	10.80	127.07	9.66	9.66	117.50	8.63								
	50	10	178.55	15.50	166.91	156.02	13.03	13.03	144.20	11.44	11.19	140.78	10.39	10.39	124.82	9.37	9.37	115.42	8.45								
	53	11.7	178.55	14.69	166.91	156.02	12.32	12.32	144.20	11.29	10.76	140.78	10.37	10.37	124.82	9.32	9.32	115.42	8.38								
	56	13.3	178.55	14.68	166.91	156.02	12.38	12.38	144.20	11.31	10.86	140.78	10.33	10.33	124.82	9.28	9.28	115.42	8.34								
	57	13.9	178.55	14.52	166.91	156.02	12.09	12.09	144.20	11.19	10.67	140.78	10.20	10.20	124.82	9.17	9.17	115.42	8.24								
	60	15.6	178.55	14.51	166.91	156.02	12.10	12.10	144.20	11.13	10.21	140.78	10.17	10.17	124.82	9.09	9.09	115.42	8.12								

Combination	Outdoor Ambient Temperature		Indoor Ambient Temperature °F WB(°C WB)																									
			59(15)			64(17.8)			68(20)			70(21.1)			72(22.2)			74(23.3)			75(23.9)			80(26.7)				
	°F DB	°C DB	TC	KBTU	PI	KW	TC	KBTU	PI	KW	TC	KBTU	PI	KW	TC	KBTU	PI	KW	TC	KBTU	PI	KW	TC	KBTU	PI	KW		
	-22	-30	47.16	12.59	44.09	11.96	41.21	11.36	37.41	10.44	37.19	10.51	35.86	10.22	33.53	9.71	31.36	9.23										
	-13	-25	95.90	18.97	89.64	18.51	83.79	18.07	76.07	16.91	75.61	17.36	72.91	17.09	68.19	16.61	63.77	16.14										
	-4	-20	111.62	18.46	104.34	18.02	97.53	17.58	88.54	16.46	88.01	16.90	84.86	16.63	79.36	16.17	74.22	15.71										
	-2.2	-19	113.19	17.98	105.81	17.55	98.91	17.13	89.79	16.03	89.24	16.46	86.06	16.20	80.48	15.75	75.27	15.31										
	4.1	-15.5	121.05	17.31	113.15	16.89	105.77	16.48	96.03	15.43	95.44	15.84	92.03	15.59	86.07	15.16	80.49	14.73										
	12	-11.1	122.62	14.58	114.62	14.22	107.15	13.88	97.27	12.99	96.68	13.34	93.23	13.13	87.19	12.76	81.54	12.41										
	13.1	-10.5	127.34	13.85	119.03	13.51	111.27	13.19	101.02	12.34	100.40	12.68	96.81	12.48	90.54	12.13	84.67	11.79										
	15	-9.4	86.58	8.56	86.58	8.94	86.58	9.33	87.46	9.71	86.58	9.94	86.58	10.14	86.58	10.54	86.58	10.96										
	18	-7.8	111.12	9.67	111.12	9.92	111.12	10.17	112.24	10.73	111.12	10.89	111.12	11.05	111.12	11.55	111.12	12.08										
	21	-6.1	112.35	9.82	112.09	10.26	111.83	10.71	113.49	11.15	111.83	11.33	112.35	11.45	112.35	11.71	112.35	11.97										
	24	-4.4	116.15	10.37	114.86	10.81	113.59	11.26	114.73	11.71	112.95	11.90	112.93	11.45	112.67	11.15	112.41	10.85										
	28	-2.2	127.50	10.27	122.30	10.73	117.30	11.21	117.23	11.62	114.81	11.77	114.75	11.09	113.19	10.13	111.64	9.24										
	32	0	131.75	10.97	129.20	11.25	126.69	11.54	119.72	11.54	117.91	11.38	115.59	10.41	112.28	9.23	109.06	8.18										
	40	4.4	143.45	10.78	137.37	10.82	131.55	10.86	122.22	10.84	121.43	10.36	117.55	9.77	111.66	8.54	106.06	7.47										
	43	6.1	157.21	10.81	146.95	10.62	137.37	10.44	124.71	9.63	123.95	9.17	119.52	9.10	111.78	7.98	104.54	6.99										
	47	8.3	157.21	13.36	146.95	12.16	137.37	11.06	126.96	9.38	123.95	9.42	120.98	8.75	111.87	7.82	103.45	6.99										
	50	10	157.21	12.55	146.95	11.51	137.37	10.55	126.96	9.27	123.95	9.07	118.84	8.42	109.89	7.59	101.62	6.84										
	53	11.7	157.21	11.90	146.95	10.90	137.37	9.98	126.96	9.14	123.95	8.72	118.84	8.40	109.89	7.55	101.62	6.78										
	56	13.3	157.21	11.89	146.95	10.92	137.37	10.03	126.96	9.16	123.95	8.80	118.84	8.37	109.89	7.52	101.62	6.75										
	57	13.9	157.21	11.76	146.95	10.73	137.37	9.79	126.96	9.06	123.95	8.65	118.84	8.26	109.89	7.42	101.62	6.67										
	60	15.6	157.21	11.75	146.95	10.73	137.37	9.80	126.96	9.02	123.95	8.27	118.84	8.24	109.89	7.36	101.62	6.58										

Combination	Outdoor Ambient Temperature		Indoor Ambient Temperature °F WB(°C WB)																																																																																																																																																																																																																																																																																																																																																																							
			59(15)						64(17.8)						68(20)						70(21.1)						72(22.2)						74(23.3)						75(23.9)						80(26.7)																																																																																																																																																																																																																																																																																																																													
			TC	PI	KW	KBTU	TC	PI	KW	KBTU	TC	PI	KW	KBTU	TC	PI	KW	KBTU	TC	PI	KW	KBTU	TC	PI	KW	KBTU	TC	PI	KW	KBTU	TC	PI	KW	KBTU	TC	PI	KW	KBTU																																																																																																																																																																																																																																																																																																																																				
	°F DB	°C DB	-22	-30	40.76	11.27	10.72	38.10	10.72	35.61	10.20	32.33	9.37	32.14	9.45	30.99	9.19	28.98	8.74	27.10	8.31	-13	-25	82.87	18.01	17.58	77.47	17.16	16.06	65.34	16.49	63.01	16.23	58.93	15.77	55.11	15.33	-4	-20	96.46	17.53	17.11	84.29	16.70	76.52	15.63	76.05	16.05	73.34	15.80	68.59	15.35	64.14	14.92	-2.2	-19	97.82	17.08	16.67	85.47	16.27	77.60	15.22	77.13	15.63	74.37	15.39	69.55	14.95	65.05	14.54	4.1	-15.5	104.61	16.44	16.04	97.79	16.04	91.41	15.66	82.99	14.65	82.48	15.05	79.54	14.81	74.38	14.39	69.56	13.99	12	-11.1	105.97	13.84	13.51	99.06	13.18	84.06	12.34	83.55	12.67	80.57	12.47	75.35	12.12	70.47	11.78	13.1	-10.5	110.04	13.15	12.83	102.87	12.52	87.30	11.72	86.77	12.04	83.67	11.85	78.25	11.52	73.18	11.19	15	-9.4	74.83	8.13	8.49	74.83	8.86	75.58	9.23	74.83	9.44	74.83	9.63	74.83	10.01	74.83	10.40	18	-7.8	96.03	9.18	9.42	96.03	9.66	97.00	10.19	96.03	10.34	96.03	10.49	96.03	10.97	96.03	11.48	21	-6.1	97.09	9.33	9.74	96.87	10.17	98.08	10.59	96.65	10.76	97.09	10.88	97.09	11.12	97.09	11.37	24	-4.4	100.38	9.85	10.26	99.26	10.69	99.15	11.12	97.61	11.30	97.60	10.88	97.37	10.59	97.15	10.31	28	-2.2	110.18	9.76	10.19	105.69	10.65	101.31	11.03	99.22	11.18	99.17	10.53	97.82	9.62	96.48	8.78	32	0	113.86	10.42	10.68	111.65	10.96	103.46	10.96	101.89	10.80	99.90	9.89	97.03	8.76	94.25	7.76	40	4.4	123.97	10.24	10.28	118.72	10.31	105.62	10.30	104.94	9.84	101.58	9.27	96.49	8.11	91.66	7.09	43	6.1	135.86	10.26	10.09	127.00	9.92	107.77	9.14	107.12	8.71	103.29	8.64	96.60	7.58	90.34	6.64	47	8.3	135.86	12.69	11.55	127.00	10.51	109.71	8.91	107.12	8.95	104.55	8.31	96.68	7.43	89.40	6.64	50	10	135.86	11.92	10.93	127.00	10.02	109.71	8.80	107.12	8.61	102.70	7.99	94.97	7.21	87.82	6.50	53	11.7	135.86	11.30	10.35	127.00	9.48	109.71	8.68	107.12	8.28	102.70	7.98	94.97	7.17	87.82	6.44	56	13.3	135.86	11.29	10.37	127.00	9.52	109.71	8.70	107.12	8.35	102.70	7.95	94.97	7.14	87.82	6.41	57	13.9	135.86	11.17	10.19	127.00	9.30	109.71	8.61	107.12	8.21	102.70	7.84	94.97	7.05	87.82	6.34	60	15.6	135.86	11.16	10.19	127.00	9.31	109.71	8.56	107.12	7.85	102.70	7.82	94.97	6.99	87.82	6.25

Combination	Outdoor Ambient Temperature °F DB °C DB	Indoor Ambient Temperature °F WB(°C WB)																								
		59(15)			64(17.8)			68(20)			70(21.1)			72(22.2)			74(23.3)			75(23.9)			80(26.7)			
		TC	PI	KW	TC	PI	KW	TC	PI	KW	TC	PI	KW	TC	PI	KW	TC	PI	KW	TC	PI	KW	TC	PI	KW	
	-22	-30	36.68	10.08	34.29	9.59	32.05	9.12	29.10	8.38	28.92	8.44	27.89	8.21	26.08	7.81	24.39	7.43								
	-13	-25	74.59	15.96	69.72	15.57	65.17	15.20	59.17	14.22	58.81	14.61	56.71	14.37	53.03	13.97	49.60	13.58								
	-4	-20	86.81	15.53	81.15	15.16	75.86	14.79	68.87	13.84	68.45	14.22	66.00	13.99	61.73	13.60	57.73	13.22								
	-2.2	-19	88.03	15.13	82.29	14.76	76.93	14.41	69.84	13.48	69.41	13.85	66.93	13.63	62.60	13.25	58.54	12.87								
	4.1	-15.5	94.15	14.56	88.01	14.21	82.27	13.87	74.69	12.98	74.23	13.33	71.58	13.12	66.94	12.75	62.61	12.39								
	12	-11.1	95.37	12.26	89.15	11.96	83.34	11.68	75.66	10.93	75.20	11.22	72.51	11.05	67.81	10.74	63.42	10.44								
	13.1	-10.5	99.04	11.65	92.58	11.37	86.54	11.09	78.57	10.38	78.09	10.66	75.30	10.49	70.42	10.20	65.86	9.91								
	15	-9.4	67.34	7.20	67.34	7.52	67.34	7.85	68.02	8.17	67.34	8.36	67.34	8.53	67.34	8.87	67.34	9.22								
	18	-7.8	86.42	8.13	86.42	8.34	86.42	8.56	87.30	9.02	86.42	9.16	86.42	9.29	86.42	9.72	86.42	10.16								
	21	-6.1	87.39	8.26	87.18	8.63	86.98	9.01	88.27	9.38	86.98	9.53	87.38	9.63	87.38	9.85	87.38	10.07								
	24	-4.4	90.34	8.73	89.34	9.09	88.35	9.47	89.24	9.85	87.85	10.01	87.84	9.63	87.63	9.38	87.43	9.13								
	28	-2.2	99.17	8.64	95.12	9.03	91.24	9.43	91.18	9.77	89.30	9.90	89.25	9.33	88.03	8.52	86.83	7.77								
	32	0	102.48	9.23	100.49	9.46	98.53	9.71	93.12	9.71	91.71	9.57	89.91	8.76	87.33	7.76	84.83	6.88								
	40	4.4	111.57	9.07	106.85	9.10	102.32	9.13	95.06	9.12	94.45	8.71	91.42	8.21	86.84	7.18	82.49	6.28								
	43	6.1	122.27	9.09	114.30	8.94	106.84	8.79	97.00	8.10	96.41	7.71	92.96	7.66	86.94	6.71	81.31	5.88								
	47	8.3	122.27	11.24	114.30	10.23	106.84	9.31	98.74	7.89	96.41	7.92	94.09	7.36	87.01	6.58	80.46	5.88								
	50	10	122.27	10.56	114.30	9.68	106.84	8.88	98.74	7.79	96.41	7.63	92.43	7.08	85.47	6.38	79.04	5.75								
	53	11.7	122.27	10.01	114.30	9.17	106.84	8.40	98.74	7.69	96.41	7.33	92.43	7.07	85.47	6.35	79.04	5.71								
	56	13.3	122.27	10.00	114.30	9.18	106.84	8.43	98.74	7.71	96.41	7.40	92.43	7.04	85.47	6.32	79.04	5.68								
	57	13.9	122.27	9.89	114.30	9.03	106.84	8.23	98.74	7.62	96.41	7.27	92.43	6.95	85.47	6.24	79.04	5.61								
	60	15.6	122.27	9.89	114.30	9.03	106.84	8.24	98.74	7.58	96.41	6.96	92.43	6.93	85.47	6.19	79.04	5.53								

60%

Combination	Outdoor Ambient Temperature		Indoor Ambient Temperature °F WB(°C WB)																																																																																																																																																																																																																																																																																																																																																																																									
			59(15)						64(17.8)						68(20)						70(21.1)						72(22.2)						74(23.3)						75(23.9)						80(26.7)																																																																																																																																																																																																																																																																																																																																															
			TC	PI	KW	KBTU	TC	PI	KW	KBTU	TC	PI	KW	KBTU	TC	PI	KW	KBTU	TC	PI	KW	KBTU	TC	PI	KW	KBTU	TC	PI	KW	KBTU	TC	PI	KW	KBTU	TC	PI	KW	KBTU																																																																																																																																																																																																																																																																																																																																																						
	°F DB	°C DB	-22	-30	31.44	8.65	29.39	8.22	27.47	7.82	24.94	7.19	24.79	7.24	23.90	7.04	22.36	6.70	20.91	6.37	-13	-25	63.93	12.49	59.76	12.19	55.86	11.89	50.72	11.13	50.41	11.43	48.61	11.25	45.46	10.94	42.51	12.32	-4	-20	74.41	13.32	69.56	13.00	65.02	12.69	59.03	11.87	58.67	12.19	56.57	12.00	52.91	11.66	49.48	11.34	-2.2	-19	75.46	12.98	70.54	12.66	65.94	12.36	59.86	11.57	59.50	11.88	57.37	11.69	53.65	11.36	50.18	11.04	4.1	-15.5	80.70	12.49	75.44	12.19	70.52	11.89	64.02	11.13	63.63	11.43	61.36	11.25	57.38	10.94	53.66	10.63	12	-11.1	81.75	10.52	76.42	10.26	71.43	10.02	64.85	9.37	64.45	9.63	62.15	9.47	58.13	9.21	54.36	8.95	13.1	-10.5	84.89	9.99	79.35	9.75	74.18	9.52	67.34	8.91	66.93	9.15	64.54	9.00	60.36	8.75	56.45	8.50	15	-9.4	57.72	7.55	57.72	7.88	57.72	8.23	58.31	8.57	57.72	8.76	57.72	8.94	57.72	9.30	57.72	9.66	18	-7.8	74.08	8.53	74.08	8.75	74.08	8.97	74.83	9.46	74.08	9.60	74.08	9.74	74.08	10.19	74.08	10.66	21	-6.1	74.90	8.66	74.73	9.04	74.56	9.44	75.66	9.83	74.56	9.99	74.90	10.10	74.90	10.33	74.90	10.56	24	-4.4	77.44	9.15	76.58	9.53	75.72	9.93	76.49	10.33	75.30	10.49	75.29	10.10	75.11	9.83	74.94	9.57	28	-2.2	85.00	9.06	81.53	9.47	78.20	9.89	78.15	10.24	76.54	10.38	76.50	9.78	75.46	8.93	74.43	8.15	32	0	87.84	9.68	86.13	9.92	84.46	10.17	79.81	10.17	78.60	10.03	77.06	9.18	74.85	8.14	72.71	7.21	40	4.4	95.63	9.51	91.58	9.54	87.70	9.57	81.48	9.56	80.96	9.14	78.36	8.61	74.44	7.53	70.71	6.59	43	6.1	104.80	9.53	97.97	9.37	91.58	9.21	83.14	8.49	82.63	8.09	79.68	8.03	74.52	7.04	69.69	6.17	47	8.3	104.80	11.78	97.97	10.72	91.58	9.76	84.64	8.27	82.63	8.31	80.65	7.72	74.58	6.90	68.97	6.17	50	10	104.80	11.07	97.97	10.15	91.58	9.31	84.64	8.17	82.63	8.00	79.23	7.42	73.26	6.69	67.75	6.03	53	11.7	104.80	10.49	97.97	9.61	91.58	8.80	84.64	8.06	82.63	7.69	79.23	7.41	73.26	6.66	67.75	5.98	56	13.3	104.80	10.48	97.97	9.63	91.58	8.84	84.64	8.08	82.63	7.76	79.23	7.38	73.26	6.63	67.75	5.96	57	13.9	104.80	10.37	97.97	9.46	91.58	8.63	84.64	7.99	82.63	7.62	79.23	7.28	73.26	6.55	67.75	5.88	60	15.6	104.80	10.36	97.97	9.46	91.58	8.64	84.64	7.95	82.63	7.29	79.23	7.26	73.26	6.49	67.75	5.80

MVHQ168ME2CA
230v heating capacity

Combination	Outdoor Ambient Temperature °F DB °C DB	Indoor Ambient Temperature °F WB(°C WB)																								
		59(15)			64(17.8)			68(20)			70(21.1)			72(22.2)			74(23.3)			75(23.9)			80(26.7)			
		TC	KBTU	PI	TC	KBTU	PI	TC	KBTU	PI	TC	KBTU	PI	TC	KBTU	PI	TC	KBTU	PI	TC	KBTU	PI	TC	KBTU	PI	
	-22	-30	70.78	18.94	18.00	66.16	18.00	61.84	17.10	56.15	15.71	55.80	15.82	53.81	15.38	50.32	14.62	47.06	13.90							
	-13	-25	143.91	28.67	134.52	27.98	125.75	27.31	114.16	25.56	113.47	26.24	109.42	25.83	102.33	25.11	95.70	24.40								
	-4	-20	167.50	27.91	156.58	27.23	146.37	26.58	132.88	24.87	132.07	25.54	127.35	25.14	119.10	24.44	111.38	23.75								
	-2.2	-19	169.86	27.18	158.78	26.53	148.43	25.89	134.75	24.23	133.93	24.88	129.15	24.49	120.78	23.80	112.95	23.13								
	4.1	-15.5	181.66	26.16	169.81	25.53	158.74	24.92	144.11	23.32	143.23	23.95	138.12	23.57	129.17	22.91	120.80	22.27								
	12	-11.1	184.02	22.03	172.02	21.50	160.80	20.98	145.98	19.64	145.09	20.17	139.91	19.85	130.84	19.29	122.37	18.75								
	13.1	-10.5	191.09	20.93	178.63	20.43	166.98	19.93	151.59	18.66	150.67	19.16	145.29	18.86	135.88	18.33	127.07	17.81								
	15	-9.4	129.94	12.94	129.94	13.51	129.94	14.10	131.25	14.68	129.94	15.02	129.94	15.33	129.94	15.93	129.94	16.56								
	18	-7.8	166.75	14.61	166.75	14.99	166.75	15.38	168.44	16.21	166.75	16.45	166.75	16.70	166.75	17.46	166.75	18.27								
	21	-6.1	168.61	14.84	168.22	15.50	167.83	16.19	170.31	16.85	167.83	17.12	168.61	17.31	168.61	17.70	168.61	18.10								
	24	-4.4	174.31	15.68	172.38	16.34	170.46	17.02	172.18	17.70	169.50	17.98	169.48	17.31	169.09	16.85	168.70	16.40								
	28	-2.2	191.34	15.53	183.53	16.22	176.04	16.95	175.92	17.56	172.29	17.79	172.21	16.77	169.86	15.30	167.54	13.97								
	32	0	197.72	16.58	193.89	17.01	190.12	17.44	179.67	17.44	176.94	17.19	173.47	15.74	168.50	13.95	163.67	12.36								
	40	4.4	215.27	16.30	206.16	16.36	197.42	16.41	183.41	16.39	182.24	15.66	176.40	14.76	167.56	12.91	159.17	11.29								
	43	6.1	235.92	16.34	220.53	16.06	206.15	15.79	187.15	14.55	186.01	13.86	179.37	13.76	167.75	12.06	156.88	10.57								
	47	8.3	235.92	20.20	220.53	18.38	206.15	16.72	190.52	14.18	186.01	14.24	181.55	13.23	167.89	11.82	155.25	10.57								
	50	10	235.92	18.97	220.53	17.40	206.15	15.95	190.52	14.01	186.01	13.70	178.34	12.72	164.92	11.47	152.51	10.34								
	53	11.7	235.92	17.98	220.53	16.47	206.15	15.09	190.52	13.82	186.01	13.18	178.34	12.70	164.92	11.41	152.51	10.25								
	56	13.3	235.92	17.97	220.53	16.50	206.15	15.15	190.52	13.85	186.01	13.30	178.34	12.65	164.92	11.36	152.51	10.21								
	57	13.9	235.92	17.78	220.53	16.22	206.15	14.80	190.52	13.70	186.01	13.07	178.34	12.48	164.92	11.22	152.51	10.09								
	60	15.6	235.92	17.76	220.53	16.22	206.15	14.81	190.52	13.63	186.01	12.50	178.34	12.45	164.92	11.13	152.51	9.95								

130%

Combination	Outdoor Ambient Temperature °C DB		Indoor Ambient Temperature °F WB(°C WB)																															
			59(15)			64(17.8)			68(20)			70(21.1)			72(22.2)			74(23.3)			75(23.9)			80(26.7)										
			TC	PI	KW	TC	PI	KW	TC	PI	KW	TC	PI	KW	TC	PI	KW	TC	PI	KW	TC	PI	KW	TC	PI	KW								
	-22	-30	70.10	18.90	65.52	17.96	61.25	17.07	55.61	15.68	55.27	15.80	53.29	15.36	49.84	14.60	46.61	13.88	70.10	18.90	65.52	17.96	61.25	17.07	55.61	15.68	55.27	15.80	53.29	15.36	49.84	14.60	46.61	13.88
	-13	-25	142.53	28.97	133.23	28.27	124.54	27.59	113.07	25.82	112.38	26.51	108.36	26.10	101.34	25.36	94.78	24.65	142.53	28.97	133.23	28.27	124.54	27.59	113.07	25.82	112.38	26.51	108.36	26.10	101.34	25.36	94.78	24.65
	-4	-20	165.89	28.19	155.07	27.51	144.96	26.85	131.60	25.13	130.80	25.81	126.13	25.40	117.96	24.69	110.31	24.00	165.89	28.19	155.07	27.51	144.96	26.85	131.60	25.13	130.80	25.81	126.13	25.40	117.96	24.69	110.31	24.00
	-2.2	-19	168.23	27.46	157.26	26.80	147.00	26.15	133.46	24.48	132.64	25.14	127.90	24.74	119.62	24.05	111.87	23.37	168.23	27.46	157.26	26.80	147.00	26.15	133.46	24.48	132.64	25.14	127.90	24.74	119.62	24.05	111.87	23.37
	4.1	-15.5	179.91	26.43	168.18	25.79	157.21	25.17	142.72	23.56	141.85	24.19	136.79	23.81	127.92	23.14	119.64	22.50	179.91	26.43	168.18	25.79	157.21	25.17	142.72	23.56	141.85	24.19	136.79	23.81	127.92	23.14	119.64	22.50
	12	-11.1	182.25	22.26	170.36	21.72	159.25	21.20	144.58	19.84	143.70	20.37	138.56	20.05	129.59	19.49	121.19	18.94	182.25	22.26	170.36	21.72	159.25	21.20	144.58	19.84	143.70	20.37	138.56	20.05	129.59	19.49	121.19	18.94
	13.1	-10.5	189.26	21.15	176.91	20.64	165.38	20.14	150.14	18.85	149.22	19.36	143.89	19.05	134.57	18.52	125.85	18.00	189.26	21.15	176.91	20.64	165.38	20.14	150.14	18.85	149.22	19.36	143.89	19.05	134.57	18.52	125.85	18.00
	15	-9.4	128.69	13.07	128.69	13.65	128.69	14.25	129.99	14.84	128.69	15.17	128.69	15.49	128.69	16.10	128.69	16.73	128.69	13.07	128.69	13.65	128.69	14.25	129.99	14.84	128.69	15.17	128.69	15.49	128.69	16.10	128.69	16.73
	18	-7.8	165.15	14.76	165.15	15.14	165.15	15.54	166.82	16.38	165.15	16.62	165.15	16.87	165.15	17.64	165.15	18.45	165.15	14.76	165.15	15.14	165.15	15.54	166.82	16.38	165.15	16.62	165.15	16.87	165.15	17.64	165.15	18.45
	21	-6.1	166.99	15.00	166.60	15.66	166.22	16.35	168.67	17.02	166.22	17.30	166.99	17.49	166.99	17.88	166.99	18.28	166.99	15.00	166.60	15.66	166.22	16.35	168.67	17.02	166.22	17.30	166.99	17.49	166.99	17.88	166.99	18.28
	24	-4.4	172.64	15.84	170.72	16.50	168.82	17.19	170.53	17.88	167.87	18.17	167.85	17.49	167.46	17.02	167.07	16.57	172.64	15.84	170.72	16.50	168.82	17.19	170.53	17.88	167.87	18.17	167.85	17.49	167.46	17.02	167.07	16.57
	28	-2.2	189.50	15.69	181.76	16.39	174.35	17.12	174.23	17.74	170.64	17.97	170.55	16.94	168.23	15.46	165.93	14.11	189.50	15.69	181.76	16.39	174.35	17.12	174.23	17.74	170.64	17.97	170.55	16.94	168.23	15.46	165.93	14.11
	32	0	195.82	16.75	192.02	17.18	188.29	17.62	177.94	17.62	175.24	17.37	171.80	15.90	166.88	14.09	162.10	12.49	195.82	16.75	192.02	17.18	188.29	17.62	177.94	17.62	175.24	17.37	171.80	15.90	166.88	14.09	162.10	12.49
	40	4.4	213.20	16.47	204.17	16.52	195.53	16.58	181.65	16.56	180.48	15.82	174.71	14.91	165.95	13.04	157.64	11.40	213.20	16.47	204.17	16.52	195.53	16.58	181.65	16.56	180.48	15.82	174.71	14.91	165.95	13.04	157.64	11.40
	43	6.1	233.65	16.50	218.41	16.22	204.17	15.95	185.35	14.70	184.23	14.00	177.65	13.90	166.14	12.18	155.37	10.68	233.65	16.50	218.41	16.22	204.17	15.95	185.35	14.70	184.23	14.00	177.65	13.90	166.14	12.18	155.37	10.68
	47	8.3	233.65	20.41	218.41	18.57	204.17	16.89	188.69	14.33	184.23	14.38	179.81	13.36	166.27	11.94	153.76	10.68	233.65	20.41	218.41	18.57	204.17	16.89	188.69	14.33	184.23	14.38	179.81	13.36	166.27	11.94	153.76	10.68
	50	10	233.65	19.17	218.41	17.58	204.17	16.12	188.69	14.15	184.23	13.84	176.63	12.85	163.33	11.59	151.04	10.45	233.65	19.17	218.41	17.58	204.17	16.12	188.69	14.15	184.23	13.84	176.63	12.85	163.33	11.59	151.04	10.45
	53	11.7	233.65	18.17	218.41	16.64	204.17	15.24	188.69	13.96	184.23	13.31	176.63	12.83	163.33	11.53	151.04	10.36	233.65	18.17	218.41	16.64	204.17	15.24	188.69	13.96	184.23	13.31	176.63	12.83	163.33	11.53	151.04	10.36
	56	13.3	233.65	18.16	218.41	16.67	204.17	15.31	188.69	14.00	184.23	13.43	176.63	12.78	163.33	11.48	151.04	10.31	233.65	18.16	218.41	16.67	204.17	15.31	188.69	14.00	184.23	13.43	176.63	12.78	163.33	11.48	151.04	10.31
	57	13.9	233.65	17.96	218.41	16.39	204.17	14.95	188.69	13.84	184.23	13.20	176.63	12.61	163.33	11.34	151.04	10.19	233.65	17.96	218.41	16.39	204.17	14.95	188.69	13.84	184.23	13.20	176.63	12.61	163.33	11.34	151.04	10.19
	60	15.6	233.65	17.95	218.41	16.39	204.17	14.97	188.69	13.77	184.23	12.63	176.63	12.58	163.33	11.24	151.04	10.05	233.65	17.95	218.41	16.39	204.17	14.97	188.69	13.77	184.23	12.63	176.63	12.58	163.33	11.24	151.04	10.05

120%

Combination	Outdoor Ambient Temperature °C DB		Indoor Ambient Temperature °F WB(°C WB)																							
			59(15)			64(17.8)			68(20)			70(21.1)			72(22.2)			74(23.3)			75(23.9)			80(26.7)		
			TC	PI	KW	TC	PI	KW	TC	PI	KW	TC	PI	KW	TC	PI	KW	TC	PI	KW	TC	PI	KW	TC	PI	KW
	-22	-30	68.73	18.74	17.81	64.25	17.81	16.94	60.06	16.94	15.57	54.53	15.57	15.68	52.26	15.25	14.50	48.87	14.50	13.79						
	-13	-25	139.76	29.26	28.56	130.64	28.56	27.87	122.12	27.87	26.08	110.87	26.08	26.79	106.26	26.36	25.62	99.37	25.62	24.91						
	-4	-20	162.67	28.48	27.79	152.06	27.79	27.13	142.14	27.13	25.39	129.05	25.39	26.07	123.68	25.66	24.94	115.67	24.94	24.24						
	-2.2	-19	164.96	27.74	27.07	154.20	27.07	26.42	144.15	26.42	24.73	130.86	24.73	25.39	125.42	24.99	24.29	117.29	24.29	23.61						
	4.1	-15.5	176.42	26.70	26.06	164.91	26.06	25.43	154.16	25.43	23.80	139.95	23.80	24.44	134.13	24.06	23.38	125.44	23.38	22.73						
	12	-11.1	178.71	22.49	21.94	167.05	21.94	21.41	156.16	21.41	20.04	141.77	20.04	20.58	135.87	20.26	19.69	127.07	19.69	19.14						
	13.1	-10.5	185.58	21.36	20.85	173.48	20.85	20.34	162.16	20.34	19.04	147.22	19.04	19.55	141.10	19.24	18.70	131.96	18.70	18.18						
	15	-9.4	126.19	13.20	13.79	126.19	13.79	14.39	126.19	14.39	14.99	127.46	14.99	15.33	126.19	15.65	16.26	126.19	16.26	16.90						
	18	-7.8	161.94	14.91	15.30	161.94	15.30	15.69	161.94	15.69	16.55	163.58	16.55	16.79	161.94	17.04	17.82	161.94	17.82	18.64						
	21	-6.1	163.74	15.15	15.82	163.37	15.82	16.52	162.99	16.52	17.20	165.40	17.20	17.47	163.74	17.67	18.06	163.74	18.06	18.47						
	24	-4.4	169.28	16.00	16.67	167.40	16.67	17.37	165.54	17.37	18.06	167.21	18.06	18.35	164.59	17.67	17.20	164.21	17.20	16.74						
	28	-2.2	185.82	15.85	16.56	178.24	16.56	17.30	170.96	17.30	17.92	170.85	17.92	18.16	167.24	17.11	16.49	164.96	16.49	14.26						
	32	0	192.02	16.92	17.36	188.29	17.36	17.80	184.64	17.80	17.80	174.49	17.80	17.55	168.47	16.06	14.23	163.64	14.23	12.61						
	40	4.4	209.06	16.64	16.69	200.21	16.69	16.75	191.73	16.75	16.73	178.12	16.73	15.98	171.31	15.07	13.17	162.73	13.17	11.52						
	43	6.1	229.11	16.67	16.39	214.17	16.39	16.11	200.20	16.11	14.85	181.76	14.85	14.14	174.20	14.04	12.31	162.91	12.31	10.79						
	47	8.3	229.11	20.62	18.76	214.17	18.76	17.07	200.20	17.07	14.47	185.03	14.47	14.53	176.32	13.50	12.07	163.05	12.07	10.79						
	50	10	229.11	19.36	17.76	214.17	17.76	16.28	200.20	16.28	14.29	185.03	14.29	13.99	173.20	12.98	11.71	160.16	11.71	10.55						
	53	11.7	229.11	18.35	16.81	214.17	16.81	15.40	200.20	15.40	14.10	185.03	14.10	13.45	173.20	12.96	11.65	160.16	11.65	10.47						
	56	13.3	229.11	18.34	16.84	214.17	16.84	15.47	200.20	15.47	14.14	185.03	14.14	13.57	173.20	12.91	11.60	160.16	11.60	10.42						
	57	13.9	229.11	18.15	16.55	214.17	16.55	15.10	200.20	15.10	13.98	185.03	13.98	13.34	173.20	12.74	11.45	160.16	11.45	10.29						
	60	15.6	229.11	18.13	16.56	214.17	16.56	15.12	200.20	15.12	13.91	185.03	13.91	12.76	173.20	12.70	11.36	160.16	11.36	10.15						

110%

Combination	Outdoor Ambient Temperature °C DB		Indoor Ambient Temperature °F WB(°C WB)																																																																																																																																																																																																																																																																																																																																																																																							
			59(15)				64(17.8)				68(20)				70(21.1)				72(22.2)				74(23.3)				75(23.9)				80(26.7)																																																																																																																																																																																																																																																																																																																																																											
			TC	PI	KW	KBTU	TC	PI	KW	KBTU	TC	PI	KW	KBTU	TC	PI	KW	KBTU	TC	PI	KW	KBTU	TC	PI	KW	KBTU	TC	PI	KW	KBTU	TC	PI	KW	KBTU																																																																																																																																																																																																																																																																																																																																																								
	-22	-30	68.05	18.70	63.62	17.78	59.47	16.90	55.26	15.39	53.66	15.66	51.74	15.23	48.39	14.48	45.25	13.77	-13	-25	138.38	29.56	129.35	28.84	120.91	28.15	108.33	22.68	109.10	27.06	105.21	26.63	98.39	25.88	92.02	25.16	-4	-20	161.06	28.77	150.56	28.08	140.74	27.40	126.65	21.84	126.99	26.33	122.45	25.92	114.52	25.19	107.10	24.49	-2.2	-19	163.33	28.02	152.68	27.35	142.72	26.69	127.27	21.69	128.78	25.65	124.18	25.25	116.13	24.54	108.61	23.85	4.1	-15.5	174.67	26.97	163.28	26.32	152.63	25.69	145.08	21.26	137.72	24.69	132.80	24.30	124.20	23.62	116.15	22.96	12	-11.1	176.94	22.71	165.40	22.17	154.61	21.63	143.69	19.09	139.51	20.79	134.53	20.46	125.81	19.89	117.66	19.33	13.1	-10.5	183.74	21.58	171.76	21.06	160.56	20.55	149.21	18.14	144.88	19.75	139.70	19.44	130.65	18.89	122.18	18.36	15	-9.4	124.94	13.34	124.94	13.92	124.94	14.54	122.15	13.50	124.94	15.48	124.94	15.80	124.94	16.43	124.94	17.07	18	-7.8	160.34	15.06	160.34	15.45	160.34	15.85	161.96	16.71	160.34	16.96	160.34	17.21	160.34	18.00	160.34	18.83	21	-6.1	162.12	15.30	161.75	15.98	161.38	16.69	163.76	17.37	161.38	17.65	162.12	17.84	162.12	18.25	162.12	18.66	24	-4.4	167.61	16.17	165.75	16.84	163.90	17.54	165.56	18.25	162.98	18.54	162.96	17.84	162.58	17.37	162.21	16.91	28	-2.2	183.98	16.01	176.47	16.72	169.27	17.47	169.16	18.10	165.67	18.34	165.59	17.29	163.33	15.78	161.10	14.40	32	0	190.12	17.10	186.43	17.53	182.81	17.98	172.76	17.98	170.14	17.72	166.80	16.23	162.02	14.38	157.37	12.74	40	4.4	206.99	16.80	198.23	16.86	189.83	16.92	176.36	16.90	175.23	16.14	169.62	15.22	161.12	13.31	153.04	11.64	43	6.1	226.84	16.84	212.05	16.56	198.22	16.27	184.21	14.55	178.86	14.29	172.47	14.18	161.30	12.43	150.85	10.90	47	8.3	226.84	20.82	212.05	18.95	198.22	17.24	183.20	14.49	178.86	14.68	174.57	13.64	161.43	12.19	149.28	10.89	50	10	226.84	19.56	212.05	17.94	198.22	16.45	183.20	14.44	178.86	14.13	171.48	13.11	158.58	11.82	146.64	10.66	53	11.7	226.84	18.54	212.05	16.98	198.22	15.55	183.20	14.24	178.86	13.58	171.48	13.09	158.58	11.76	146.64	10.57	56	13.3	226.84	18.53	212.05	17.01	198.22	15.62	183.20	14.28	178.86	13.71	171.48	13.04	158.58	11.71	146.64	10.52	57	13.9	226.84	18.33	212.05	16.72	198.22	15.25	183.20	14.12	178.86	13.47	171.48	12.87	158.58	11.57	146.64	10.40	60	15.6	226.84	18.31	212.05	16.72	198.22	15.27	183.20	14.05	178.86	12.89	171.48	12.83	158.58	11.47	146.64	10.25

Combination	Outdoor Ambient Temperature		Indoor Ambient Temperature °F WB(°C WB)																								
			59(15)			64(17.8)			68(20)			70(21.1)			72(22.2)			74(23.3)			75(23.9)			80(26.7)			
			TC	PI	KW	TC	PI	KW	TC	PI	KW	TC	PI	KW	TC	PI	KW	TC	PI	KW	TC	PI	KW	TC	PI	KW	
	°F DB	°C DB	KBTU	PI	KW	KBTU	PI	KW	KBTU	PI	KW	KBTU	PI	KW	KBTU	PI	KW	KBTU	PI	KW	KBTU	PI	KW	KBTU	PI	KW	
	-22	-30	62.61	17.13	16.28	54.71	15.48	14.23	49.37	14.34	13.95	44.52	13.26	12.61													
	-13	-25	127.31	26.90	26.25	111.24	25.62	100.99	23.97	24.62	24.23	90.52	23.55	22.89													
	-4	-20	148.17	26.18	138.51	129.48	24.93	117.55	23.34	116.83	23.96	112.66	23.59	22.28													
	-2.2	-19	150.26	25.50	140.46	131.30	24.29	119.20	22.73	118.48	23.34	114.25	22.97	21.70													
	4.1	-15.5	160.70	24.54	150.22	140.42	23.37	127.48	21.88	126.70	22.47	122.18	22.11	20.89													
	12	-11.1	162.78	20.67	152.17	142.24	19.68	129.14	18.42	128.35	18.92	123.77	18.62	17.59													
	13.1	-10.5	169.04	19.63	158.02	147.71	18.70	134.10	17.50	133.29	17.97	128.53	17.69	16.71													
	15	-9.4	114.95	12.14	114.95	114.95	13.23	116.11	13.78	114.95	14.09	114.95	14.38	15.53													
	18	-7.8	147.51	13.71	147.51	147.51	14.43	149.00	15.21	147.51	15.44	147.51	15.66	17.14													
	21	-6.1	149.15	13.92	148.81	148.47	15.19	150.66	15.81	148.47	16.06	149.15	16.24	16.98													
	24	-4.4	154.20	14.71	152.49	150.79	15.96	152.31	16.60	149.94	16.87	149.92	16.24	15.39													
	28	-2.2	169.26	14.57	162.35	155.73	15.90	155.63	16.47	152.41	16.69	152.34	15.73	13.10													
	32	0	174.91	15.56	171.51	168.18	16.36	158.94	16.36	156.53	16.13	153.46	14.77	11.59													
	40	4.4	190.43	15.29	182.37	174.64	15.40	162.25	15.38	161.21	14.69	156.05	13.85	10.59													
	43	6.1	208.70	15.33	195.09	182.36	14.81	165.56	13.65	164.55	13.00	158.67	12.91	9.92													
	47	8.3	208.70	18.95	195.09	182.36	15.69	168.54	13.30	164.55	13.36	160.61	12.41	9.91													
	50	10	208.70	17.80	195.09	182.36	14.97	168.54	13.14	164.55	12.86	157.77	11.93	9.70													
	53	11.7	208.70	16.87	195.09	182.36	14.15	168.54	12.96	164.55	12.36	157.77	11.91	9.62													
	56	13.3	208.70	16.86	195.09	182.36	14.22	168.54	13.00	164.55	12.47	157.77	11.87	9.58													
	57	13.9	208.70	16.68	195.09	182.36	13.88	168.54	12.85	164.55	12.26	157.77	11.71	9.46													
	60	15.6	208.70	16.67	195.09	182.36	13.90	168.54	12.79	164.55	11.73	157.77	11.68	9.33													

Combination	Outdoor Ambient Temperature		Indoor Ambient Temperature °F WB(°C WB)																									
			59(15)			64(17.8)			68(20)			70(21.1)			72(22.2)			74(23.3)			75(23.9)			80(26.7)				
			TC	PI	KW	TC	PI	KW	TC	PI	KW	TC	PI	KW	TC	PI	KW	TC	PI	KW	TC	PI	KW	TC	PI	KW		
	°F DB	°C DB	KBTU	PI	KW	KBTU	PI	KW	KBTU	PI	KW	KBTU	PI	KW	KBTU	PI	KW	KBTU	PI	KW	KBTU	PI	KW	KBTU	PI	KW		
	-22	-30	55.12	14.62	13.89	48.17	13.19	13.19	43.73	12.12	43.46	12.20	41.91	11.86	39.19	11.27	36.66	10.71										
	-13	-25	112.08	21.79	104.77	21.26	20.75	88.92	19.42	88.37	19.94	85.22	19.63	79.70	19.08	74.53	18.54											
	-4	-20	130.46	21.21	121.95	20.69	20.20	103.49	18.90	102.86	19.41	99.19	19.10	92.76	18.57	86.75	18.05											
	-2.2	-19	132.30	20.65	123.67	20.16	115.60	104.95	18.41	104.31	18.91	100.59	18.61	94.07	18.09	87.97	17.58											
	4.1	-15.5	141.48	19.88	132.26	19.40	123.63	112.24	17.72	111.55	18.20	107.57	17.91	100.60	17.41	94.08	16.92											
	12	-11.1	143.32	16.74	133.97	16.34	125.24	113.70	14.92	113.00	15.32	108.97	15.08	101.91	14.66	95.30	14.25											
	13.1	-10.5	148.83	15.90	139.13	15.52	130.05	118.07	14.18	117.35	14.56	113.16	14.33	105.83	13.93	98.97	13.54											
	15	-9.4	101.20	9.83	101.20	10.26	101.20	10.72	102.22	11.16	101.20	11.41	101.20	11.65	101.20	12.11	101.20	12.58										
	18	-7.8	129.88	11.10	129.88	11.39	129.88	11.69	131.19	12.32	129.88	12.50	129.88	12.69	129.88	13.27	129.88	13.88										
	21	-6.1	131.32	11.28	131.02	11.78	130.71	12.30	132.65	12.80	130.71	13.01	131.32	13.15	131.32	13.45	131.32	13.75										
	24	-4.4	135.76	11.92	134.25	12.41	132.76	12.93	134.10	13.45	132.02	13.67	132.00	13.15	131.69	12.80	131.39	12.46										
	28	-2.2	149.02	11.80	142.94	12.33	137.11	12.88	137.02	13.34	134.19	13.52	134.12	12.74	132.30	11.63	130.49	10.61										
	32	0	154.00	12.60	151.01	12.92	148.07	13.25	139.93	13.25	137.81	13.07	135.11	11.96	131.24	10.60	127.47	9.39										
	40	4.4	167.67	12.39	160.56	12.43	153.76	12.47	142.85	12.45	141.93	11.90	137.39	11.22	130.51	9.81	123.97	8.58										
	43	6.1	183.74	12.41	171.76	12.20	160.56	12.00	145.76	11.06	144.88	10.53	139.70	10.45	130.65	9.16	122.18	8.03										
	47	8.3	183.74	15.35	171.76	13.97	160.56	12.71	148.39	10.78	144.88	10.82	141.40	10.05	130.76	8.98	120.92	8.03										
	50	10	183.74	14.42	171.76	13.22	160.56	12.12	148.39	10.64	144.88	10.41	138.90	9.67	128.45	8.72	118.78	7.86										
	53	11.7	183.74	13.67	171.76	12.52	160.56	11.46	148.39	10.50	144.88	10.01	138.90	9.65	128.45	8.67	118.78	7.79										
	56	13.3	183.74	13.66	171.76	12.54	160.56	11.52	148.39	10.53	144.88	10.10	138.90	9.61	128.45	8.63	118.78	7.76										
	57	13.9	183.74	13.51	171.76	12.33	160.56	11.24	148.39	10.41	144.88	9.93	138.90	9.49	128.45	8.53	118.78	7.66										
	60	15.6	183.74	13.50	171.76	12.33	160.56	11.26	148.39	10.36	144.88	9.50	138.90	9.46	128.45	8.46	118.78	7.56										

Combination	Outdoor Ambient Temperature °F DB °C DB	Indoor Ambient Temperature °F WB(°C WB)																								
		59(15)			64(17.8)			68(20)			70(21.1)			72(22.2)			74(23.3)			75(23.9)			80(26.7)			
		TC	PI	KW	TC	PI	KW	TC	PI	KW	TC	PI	KW	TC	PI	KW	TC	PI	KW	TC	PI	KW	TC	PI	KW	
	-22	-30	47.64	13.09	44.53	12.44	41.63	11.83	37.79	10.88	37.56	10.96	36.22	10.66	33.87	10.14	31.68	9.64								
	-13	-25	96.86	20.69	90.55	20.19	84.64	19.70	76.84	18.44	76.37	18.94	73.65	18.64	68.87	18.12	64.41	17.61								
	-4	-20	112.74	20.14	105.39	19.65	98.52	19.18	89.44	17.95	88.89	18.43	85.72	18.14	80.16	17.63	74.97	17.14								
	-2.2	-19	114.33	19.62	106.87	19.14	99.90	18.68	90.70	17.48	90.15	17.96	86.93	17.67	81.29	17.18	76.03	16.69								
	4.1	-15.5	122.27	18.88	114.30	18.42	106.84	17.98	97.00	16.83	96.41	17.28	92.96	17.01	86.94	16.53	81.31	16.07								
	12	-11.1	123.86	15.90	115.78	15.52	108.23	15.14	98.26	14.17	97.66	14.55	94.17	14.32	88.07	13.92	82.36	13.53								
	13.1	-10.5	128.62	15.10	120.23	14.74	112.39	14.38	102.03	13.46	101.41	13.83	97.79	13.61	91.45	13.23	85.53	12.86								
	15	-9.4	87.46	9.34	87.46	9.75	87.46	10.18	88.34	10.60	87.46	10.84	87.46	11.06	87.46	11.50	87.46	11.95								
	18	-7.8	112.24	10.55	112.24	10.82	112.24	11.10	113.37	11.70	112.24	11.87	112.24	12.05	112.24	12.60	112.24	13.18								
	21	-6.1	113.49	10.71	113.22	11.19	112.96	11.68	114.63	12.16	112.96	12.35	113.49	12.49	113.49	12.77	113.49	13.06								
	24	-4.4	117.33	11.32	116.02	11.79	114.73	12.28	115.89	12.77	114.09	12.98	114.07	12.49	113.81	12.16	113.55	11.84								
	28	-2.2	128.79	11.21	123.53	11.71	118.49	12.23	118.41	12.67	115.97	12.84	115.91	12.10	114.33	11.04	112.77	10.08								
	32	0	133.08	11.97	130.50	12.27	127.97	12.59	120.93	12.59	119.10	12.41	116.76	11.36	113.41	10.06	110.16	8.92								
	40	4.4	144.90	11.76	138.76	11.80	132.88	11.84	123.45	11.83	122.66	11.30	118.73	10.65	112.78	9.32	107.13	8.15								
	43	6.1	158.79	11.79	148.44	11.59	138.75	11.39	125.97	10.50	125.20	10.00	120.73	9.93	112.91	8.70	105.59	7.63								
	47	8.3	158.79	14.58	148.44	13.26	138.75	12.07	128.24	10.23	125.20	10.27	122.20	9.55	113.00	8.53	104.50	7.63								
	50	10	158.79	13.69	148.44	12.55	138.75	11.51	128.24	10.11	125.20	9.89	120.04	9.18	111.00	8.28	102.65	7.46								
	53	11.7	158.79	12.98	148.44	11.89	138.75	10.89	128.24	9.97	125.20	9.51	120.04	9.16	111.00	8.23	102.65	7.40								
	56	13.3	158.79	12.97	148.44	11.91	138.75	10.94	128.24	10.00	125.20	9.60	120.04	9.13	111.00	8.20	102.65	7.37								
	57	13.9	158.79	12.83	148.44	11.70	138.75	10.68	128.24	9.89	125.20	9.43	120.04	9.01	111.00	8.10	102.65	7.28								
	60	15.6	158.79	12.82	148.44	11.71	138.75	10.69	128.24	9.83	125.20	9.02	120.04	8.98	111.00	8.03	102.65	7.18								

Combination	Outdoor Ambient Temperature °F DB °C DB	Indoor Ambient Temperature °F WB(°C WB)																								
		59(15)			64(17.8)			68(20)			70(21.1)			72(22.2)			74(23.3)			75(23.9)			80(26.7)			
		TC	PI	KW	TC	PI	KW	TC	PI	KW	TC	PI	KW	TC	PI	KW	TC	PI	KW	TC	PI	KW	TC	PI	KW	
	-22	-30	42.87	11.71	40.08	11.13	37.46	10.58	34.01	9.73	33.80	9.80	32.60	9.53	30.48	9.06	28.51	8.62								
	-13	-25	87.18	18.33	81.49	17.88	76.18	17.45	69.16	16.33	68.74	16.77	66.28	16.51	61.99	16.05	57.97	15.60								
	-4	-20	101.47	17.84	94.85	17.41	88.66	16.99	80.49	15.90	80.00	16.33	77.15	16.07	72.15	15.62	67.47	15.18								
	-2.2	-19	102.90	17.37	96.19	16.95	89.91	16.55	81.63	15.49	81.13	15.90	78.23	15.65	73.16	15.21	68.42	14.79								
	4.1	-15.5	110.04	16.72	102.87	16.32	96.16	15.93	87.30	14.91	86.76	15.31	83.67	15.06	78.24	14.64	73.17	14.23								
	12	-11.1	111.47	14.08	104.20	13.74	97.41	13.41	88.43	12.55	87.89	12.89	84.75	12.69	79.26	12.33	74.13	11.99								
	13.1	-10.5	115.76	13.38	108.21	13.06	101.15	12.74	91.83	11.92	91.27	12.25	88.01	12.05	82.31	11.71	76.98	11.39								
	15	-9.4	78.71	8.27	78.71	8.63	78.71	9.01	79.51	9.39	78.71	9.60	78.71	9.80	78.71	10.18	78.71	10.58								
	18	-7.8	101.01	9.34	101.01	9.58	101.01	9.83	102.03	10.36	101.01	10.52	101.01	10.67	101.01	11.16	101.01	11.67								
	21	-6.1	102.14	9.49	101.90	9.91	101.67	10.35	103.17	10.77	101.67	10.94	102.14	11.06	102.14	11.31	102.14	11.57								
	24	-4.4	105.59	10.02	104.42	10.44	103.26	10.88	104.30	11.31	102.68	11.49	102.67	11.06	102.43	10.77	102.19	10.48								
	28	-2.2	115.91	9.93	111.18	10.37	106.64	10.83	106.57	11.22	104.37	11.37	104.32	10.72	102.90	9.78	101.49	8.93								
	32	0	119.78	10.60	117.45	10.87	115.17	11.15	108.84	11.15	107.19	10.99	105.08	10.06	102.07	8.91	99.15	7.90								
	40	4.4	130.41	10.42	124.88	10.45	119.59	10.49	111.10	10.48	110.39	10.01	106.86	9.43	101.50	8.25	96.42	7.22								
	43	6.1	142.91	10.44	133.59	10.26	124.88	10.09	113.37	9.30	112.68	8.86	108.66	8.79	101.62	7.71	95.03	6.76								
	47	8.3	142.91	12.91	133.59	11.75	124.88	10.69	115.41	9.06	112.68	9.10	109.98	8.45	101.70	7.56	94.05	6.75								
	50	10	142.91	12.13	133.59	11.12	124.88	10.20	115.41	8.95	112.68	8.76	108.04	8.13	99.90	7.33	92.38	6.61								
	53	11.7	142.91	11.49	133.59	10.53	124.88	9.64	115.41	8.83	112.68	8.42	108.04	8.11	99.90	7.29	92.38	6.55								
	56	13.3	142.91	11.49	133.59	10.55	124.88	9.69	115.41	8.85	112.68	8.50	108.04	8.08	99.90	7.26	92.38	6.52								
	57	13.9	142.91	11.36	133.59	10.37	124.88	9.46	115.41	8.76	112.68	8.35	108.04	7.98	99.90	7.17	92.38	6.45								
	60	15.6	142.91	11.35	133.59	10.37	124.88	9.47	115.41	8.71	112.68	7.99	108.04	7.96	99.90	7.11	92.38	6.36								

Combination	Outdoor Ambient Temperature °F DB °C DB	Indoor Ambient Temperature °F WB(°C WB)																																					
		59(15)				64(17.8)				68(20)				70(21.1)				72(22.2)				74(23.3)				75(23.9)				80(26.7)									
		TC	PI	KBTU	kW	TC	PI	KBTU	kW	TC	PI	KBTU	kW	TC	PI	KBTU	kW	TC	PI	KBTU	kW	TC	PI	KBTU	kW	TC	PI	KBTU	kW	TC	PI	KBTU	kW						
	-22	-30	36.75	10.89	34.35	10.37	32.11	9.88	29.15	9.10	28.98	9.18	27.94	8.94	26.13	8.51	24.44	8.11																					
	-13	-25	74.72	19.21	69.85	18.75	65.29	18.30	59.28	17.12	58.92	17.59	56.81	17.31	53.13	16.82	49.69	16.35																					
	-4	-20	86.97	18.70	81.30	18.25	76.00	17.81	69.00	16.67	68.57	17.12	66.13	16.85	61.84	16.37	57.83	15.92																					
	-2.2	-19	88.20	18.21	82.45	17.78	77.07	17.35	69.97	16.24	69.54	16.67	67.06	16.41	62.71	15.95	58.65	15.50																					
	4.1	-15.5	94.32	17.53	88.17	17.11	82.42	16.70	74.83	15.63	74.37	16.05	71.71	15.79	67.07	15.35	62.72	14.92																					
	12	-11.1	95.55	14.76	89.32	14.41	83.49	14.06	75.80	13.16	75.34	13.51	72.64	13.30	67.94	12.93	63.54	12.57																					
	13.1	-10.5	99.22	14.02	92.75	13.69	86.70	13.36	78.71	12.50	78.23	12.84	75.44	12.64	70.55	12.28	65.98	11.94																					
	15	-9.4	67.47	8.67	67.47	9.05	67.47	9.45	68.15	9.84	67.47	10.06	67.47	10.27	67.47	10.68	67.47	11.10																					
	18	-7.8	86.58	9.79	86.58	10.05	86.58	10.30	87.46	10.86	86.58	11.03	86.58	11.19	86.58	11.70	86.58	12.24																					
	21	-6.1	87.55	9.95	87.34	10.39	87.14	10.85	88.43	11.29	87.14	11.47	87.55	11.60	87.55	11.86	87.55	12.13																					
	24	-4.4	90.51	10.51	89.50	10.95	88.51	11.40	89.40	11.86	88.01	12.05	88.00	11.60	87.80	11.29	87.59	10.99																					
	28	-2.2	99.35	10.41	95.29	10.87	91.40	11.36	91.35	11.77	89.46	11.92	89.42	11.24	88.20	10.26	86.99	9.36																					
	32	0	102.66	11.11	100.67	11.40	98.72	11.69	93.29	11.69	91.87	11.52	90.07	10.55	87.49	9.35	84.98	8.28																					
	40	4.4	111.78	10.92	107.04	10.96	102.51	11.00	95.23	10.98	94.62	10.49	91.59	9.89	87.00	8.65	82.64	7.56																					
	43	6.1	122.50	10.95	114.51	10.76	107.04	10.58	97.18	9.75	96.58	9.29	93.13	9.22	87.10	8.08	81.46	7.08																					
	47	8.3	122.50	13.54	114.51	12.32	107.04	11.21	98.93	9.50	96.58	9.54	94.27	8.86	87.17	7.92	80.61	7.08																					
	50	10	122.50	12.71	114.51	11.66	107.04	10.69	98.93	9.39	96.58	9.18	92.60	8.52	85.63	7.69	79.19	6.93																					
	53	11.7	122.50	12.05	114.51	11.04	107.04	10.11	98.93	9.26	96.58	8.83	92.60	8.51	85.63	7.65	79.19	6.87																					
	56	13.3	122.50	12.04	114.51	11.06	107.04	10.15	98.93	9.28	96.58	8.91	92.60	8.48	85.63	7.61	79.19	6.84																					
	57	13.9	122.50	11.91	114.51	10.87	107.04	9.91	98.93	9.18	96.58	8.76	92.60	8.37	85.63	7.52	79.19	6.76																					
	60	15.6	122.50	11.90	114.51	10.87	107.04	9.93	98.93	9.13	96.58	8.38	92.60	8.34	85.63	7.46	79.19	6.66																					

MVHQ192ME2CA
230v heating capacity

Combination	Outdoor Ambient Temperature °C DB	Indoor Ambient Temperature °F WB(°C WB)																								
		59(15)			64(17.8)			68(20)			70(21.1)			72(22.2)			74(23.3)			75(23.9)			80(26.7)			
		TC	PI	KW	TC	PI	KW	TC	PI	KW	TC	PI	KW	TC	PI	KW	TC	PI	KW	TC	PI	KW	TC	PI	KW	
	-22	80.66	21.45	75.40	20.37	70.48	19.36	63.99	17.78	63.60	17.91	61.32	17.41	57.35	16.54	53.63	15.72									
	-13	164.00	32.11	153.31	31.34	143.31	30.58	130.10	28.62	129.31	29.39	124.69	28.93	116.61	28.12	109.06	27.33									
	-4	190.89	31.25	178.44	30.50	166.80	29.77	151.43	27.86	150.51	28.61	145.13	28.16	135.73	27.37	126.94	26.60									
	-2.2	193.58	30.44	180.95	29.71	169.15	28.99	153.57	27.14	152.63	27.87	147.18	27.43	137.64	26.66	128.72	25.91									
	4.1	207.02	29.30	193.52	28.60	180.90	27.91	164.23	26.12	163.23	26.82	157.40	26.40	147.20	25.66	137.66	24.94									
	12	209.71	24.67	196.03	24.08	183.25	23.50	166.36	21.99	165.35	22.59	159.44	22.23	149.11	21.61	139.45	21.00									
	13.1	217.78	23.44	203.57	22.88	190.30	22.32	172.76	20.89	171.71	21.46	165.58	21.12	154.85	20.53	144.81	19.95									
	15	218.05	17.39	209.15	18.17	200.62	18.98	191.96	18.16	190.04	18.43	187.15	18.70	180.04	18.70	173.80	18.37									
	18	218.05	17.39	209.15	18.17	200.62	18.98	191.96	18.16	190.04	18.43	187.15	18.70	180.04	18.70	173.80	18.37									
	21	218.05	17.39	209.15	18.17	200.62	18.98	191.96	18.16	190.04	18.43	187.15	18.70	180.04	18.70	173.80	18.37									
	24	218.05	17.39	209.15	18.17	200.62	18.98	191.96	18.16	190.04	18.43	187.15	18.70	180.04	18.70	173.80	18.37									
	28	218.05	17.39	209.15	18.17	200.62	18.98	191.96	18.16	190.04	18.43	187.15	18.70	180.04	18.70	173.80	18.37									
	32	225.33	18.57	220.96	19.05	216.67	19.53	204.75	19.53	201.65	19.26	197.69	17.63	192.03	15.62	186.52	13.84									
	40	245.33	18.26	234.94	18.32	224.99	18.38	209.02	18.36	207.68	17.54	201.03	16.53	190.96	14.46	181.39	12.64									
	43	268.86	18.30	251.32	17.99	234.93	17.68	213.29	16.30	211.99	15.52	204.41	15.41	191.17	13.51	178.78	11.84									
	47	268.86	22.62	251.32	20.58	234.93	18.73	217.12	15.88	211.99	15.95	206.90	14.81	191.33	13.24	176.93	11.84									
	50	268.86	21.25	251.32	19.48	234.93	17.87	217.12	15.69	211.99	15.35	203.24	14.25	187.95	12.85	173.80	11.58									
	53	268.86	20.14	251.32	18.45	234.93	16.90	217.12	15.47	211.99	14.76	203.24	14.22	187.95	12.78	173.80	11.48									
	56	268.86	20.13	251.32	18.48	234.93	16.97	217.12	15.51	211.99	14.89	203.24	14.17	187.95	12.73	173.80	11.43									
	57	268.86	19.91	251.32	18.17	234.93	16.57	217.12	15.34	211.99	14.64	203.24	13.98	187.95	12.57	173.80	11.30									
	60	268.86	19.90	251.32	18.17	234.93	16.59	217.12	15.26	211.99	14.00	203.24	13.94	187.95	12.46	173.80	11.14									

130%

Combination	Outdoor Ambient Temperature °F DB °C DB	Indoor Ambient Temperature °F WB(°C WB)																																	
		59(15)				64(17.8)				68(20)				70(21.1)				72(22.2)				74(23.3)				75(23.9)				80(26.7)					
		TC	PI	KW	KBTU	TC	PI	KW	KBTU	TC	PI	KW	KBTU	TC	PI	KW	KBTU	TC	PI	KW	KBTU	TC	PI	KW	KBTU	TC	PI	KW	KBTU	TC	PI	KW	KBTU		
	-22	-30	79.88	21.40	74.67	20.33	69.80	19.32	63.37	17.75	62.98	17.88	17.88	60.73	17.38	56.80	16.52	53.12	15.70																
	-13	-25	162.43	32.44	151.83	31.66	141.93	30.90	128.85	28.92	128.07	29.70	123.49	29.23	115.49	28.41	108.01	27.61																	
	-4	-20	189.05	31.58	176.72	30.82	165.20	30.07	149.98	28.15	149.06	28.90	143.74	28.45	134.43	27.65	125.72	26.88																	
	-2.2	-19	191.72	30.76	179.21	30.02	167.53	29.29	152.09	27.42	151.16	28.15	145.76	27.71	136.32	26.93	127.49	26.18																	
	4.1	-15.5	205.03	29.60	191.66	28.89	179.16	28.19	162.65	26.39	161.66	27.10	155.89	26.67	145.79	25.92	136.34	25.20																	
	12	-11.1	207.69	24.93	194.15	24.33	181.49	23.74	164.76	22.22	163.76	22.82	157.91	22.46	147.68	21.83	138.11	21.22																	
	13.1	-10.5	215.68	23.68	201.61	23.11	188.47	22.55	171.10	21.11	170.06	21.68	163.98	21.34	153.36	20.74	143.42	20.16																	
	15	-9.4	146.66	14.64	146.66	15.28	146.66	15.96	148.14	16.62	146.66	17.00	146.66	17.35	146.66	18.03	146.66	18.74																	
	18	-7.8	188.21	16.54	188.21	16.96	188.21	17.40	190.11	18.34	188.21	18.62	188.21	18.89	188.21	19.76	188.21	20.67																	
	21	-6.1	190.30	16.80	189.86	17.54	189.42	18.32	192.22	19.07	189.42	19.37	190.30	19.59	190.30	20.03	190.30	20.48																	
	24	-4.4	196.74	17.74	194.55	18.48	192.39	19.26	194.34	20.03	191.31	20.35	191.29	19.59	190.84	19.07	190.40	18.56																	
	28	-2.2	215.96	17.57	207.14	18.36	198.69	19.18	198.56	19.87	194.46	20.13	194.37	18.97	191.72	17.32	189.10	15.81																	
	32	0	223.16	18.76	218.83	19.24	214.58	19.73	202.78	19.73	199.71	19.45	195.79	17.81	190.18	15.78	184.73	13.98																	
	40	4.4	242.97	18.44	232.68	18.51	222.83	18.57	207.01	18.55	205.68	17.72	199.10	16.70	189.12	14.61	179.65	12.77																	
	43	6.1	266.27	18.48	248.91	18.17	232.67	17.86	211.23	16.46	209.95	15.68	202.45	15.57	189.33	13.65	177.06	11.96																	
	47	8.3	266.27	22.86	248.91	20.80	232.67	18.92	215.04	16.05	209.95	16.11	204.91	14.97	189.49	13.38	175.23	11.96																	
	50	10	266.27	21.47	248.91	19.69	232.67	18.05	215.04	15.85	209.95	15.51	201.29	14.39	186.14	12.98	172.13	11.70																	
	53	11.7	266.27	20.35	248.91	18.64	232.67	17.07	215.04	15.63	209.95	14.91	201.29	14.37	186.14	12.91	172.13	11.60																	
	56	13.3	266.27	20.33	248.91	18.67	232.67	17.15	215.04	15.67	209.95	15.05	201.29	14.31	186.14	12.86	172.13	11.55																	
	57	13.9	266.27	20.12	248.91	18.35	232.67	16.74	215.04	15.50	209.95	14.79	201.29	14.13	186.14	12.70	172.13	11.41																	
	60	15.6	266.27	20.10	248.91	18.36	232.67	16.76	215.04	15.42	209.95	14.15	201.29	14.09	186.14	12.59	172.13	11.25																	

120%

Combination	Outdoor Ambient Temperature °F DB °C DB	Indoor Ambient Temperature °F WB(°C WB)																																				
		59(15)				64(17.8)				68(20)				70(21.1)				72(22.2)				74(23.3)				75(23.9)				80(26.7)								
		TC	PI	KBTU	kW	TC	PI	KBTU	kW	TC	PI	KBTU	kW	TC	PI	KBTU	kW	TC	PI	KBTU	kW	TC	PI	KBTU	kW	TC	PI	KBTU	kW	TC	PI	KBTU	kW					
	-22	-30	78.33	21.22	73.22	20.16	68.45	19.17	62.14	17.62	61.76	17.74	59.56	17.25	55.70	16.40	52.09	15.59																				
	-13	-25	159.27	32.77	148.89	31.98	139.18	31.21	126.35	29.21	125.58	30.00	121.10	29.53	113.25	28.70	105.91	27.89																				
	-4	-20	185.38	31.90	173.29	31.13	161.99	30.38	147.06	28.43	146.17	29.20	140.95	28.74	131.82	27.93	123.27	27.15																				
	-2.2	-19	187.99	31.07	175.73	30.32	164.27	29.59	149.14	27.69	148.23	28.44	142.93	27.99	133.67	27.21	125.01	26.44																				
	4.1	-15.5	201.05	29.91	187.94	29.18	175.68	28.48	159.49	26.66	158.52	27.37	152.86	26.94	142.95	26.19	133.69	25.45																				
	12	-11.1	203.66	25.18	190.38	24.58	177.96	23.98	161.56	22.45	160.58	23.05	154.84	22.69	144.81	22.05	135.43	21.43																				
	13.1	-10.5	211.49	23.92	197.70	23.35	184.81	22.79	167.78	21.33	166.76	21.90	160.80	21.55	150.38	20.95	140.64	20.36																				
	15	-9.4	143.81	14.79	143.81	15.44	143.81	16.12	145.26	16.78	143.81	17.17	143.81	17.52	143.81	18.21	143.81	18.93																				
	18	-7.8	184.56	16.70	184.56	17.14	184.56	17.58	186.42	18.53	184.56	18.81	184.56	19.09	184.56	19.96	184.56	20.88																				
	21	-6.1	186.61	16.97	186.18	17.72	185.75	18.50	188.49	19.26	185.75	19.57	186.61	19.79	186.61	20.23	186.61	20.69																				
	24	-4.4	192.92	17.93	190.78	18.67	188.66	19.45	190.56	20.23	187.60	20.56	187.57	19.79	187.14	19.26	186.70	18.75																				
	28	-2.2	211.76	17.75	203.12	18.54	194.83	19.37	194.70	20.07	190.68	20.34	190.59	19.17	187.99	17.49	185.43	15.97																				
	32	0	218.83	18.96	214.58	19.44	210.42	19.93	198.85	19.93	195.83	19.65	191.99	17.99	186.49	15.94	181.14	14.13																				
	40	4.4	238.25	18.63	228.16	18.70	218.50	18.76	202.99	18.73	201.69	17.90	195.23	16.87	185.45	14.76	176.16	12.90																				
	43	6.1	261.10	18.67	244.07	18.36	228.16	18.04	207.13	16.63	205.87	15.84	198.52	15.73	185.65	13.78	173.63	12.08																				
	47	8.3	261.10	23.09	244.07	21.01	228.16	19.12	210.86	16.21	205.87	16.28	200.93	15.12	185.81	13.51	171.82	12.08																				
	50	10	261.10	21.69	244.07	19.89	228.16	18.24	210.86	16.01	205.87	15.66	197.38	14.54	182.53	13.11	168.79	11.82																				
	53	11.7	261.10	20.56	244.07	18.83	228.16	17.24	210.86	15.79	205.87	15.06	197.38	14.51	182.53	13.04	168.79	11.72																				
	56	13.3	261.10	20.54	244.07	18.86	228.16	17.32	210.86	15.83	205.87	15.20	197.38	14.46	182.53	12.99	168.79	11.67																				
	57	13.9	261.10	20.32	244.07	18.54	228.16	16.91	210.86	15.66	205.87	14.94	197.38	14.27	182.53	12.83	168.79	11.53																				
	60	15.6	261.10	20.31	244.07	18.54	228.16	16.93	210.86	15.58	205.87	14.29	197.38	14.23	182.53	12.72	168.79	11.37																				

Combination	Outdoor Ambient Temperature		Indoor Ambient Temperature °F WB(°C WB)																																																																																																																																																																																																																																																																																																																																																																																									
			59(15)						64(17.8)						70(21.1)						72(22.2)						74(23.3)						75(23.9)						80(26.7)																																																																																																																																																																																																																																																																																																																																																					
			TC	PI	KBTU	KW	TC	PI	KBTU	KW	TC	PI	KBTU	KW	TC	PI	KBTU	KW	TC	PI	KBTU	KW	TC	PI	KBTU	KW	TC	PI	KBTU	KW	TC	PI	KBTU	KW																																																																																																																																																																																																																																																																																																																																																										
	°F DB	°C DB	-22	-30	77.56	21.17	72.50	20.12	67.77	19.13	62.35	17.36	61.15	17.71	58.97	17.23	55.15	16.38	51.57	15.58	-13	-25	157.70	33.10	147.41	32.31	137.80	31.53	123.86	25.93	124.34	30.30	119.90	29.82	112.13	28.99	104.86	28.18	-4	-20	183.55	32.22	171.58	31.44	160.39	30.69	144.40	24.89	144.72	29.49	139.55	29.03	130.51	28.21	122.05	27.42	-2.2	-19	186.13	31.38	173.99	30.63	162.65	29.89	144.81	24.67	146.76	28.73	141.52	28.27	132.35	27.48	123.77	26.71	4.1	-15.5	199.06	30.21	186.08	29.48	173.94	28.77	165.21	24.21	156.95	27.65	151.35	27.21	141.54	26.45	132.37	25.71	12	-11.1	201.64	25.44	188.49	24.82	176.20	24.23	131.24	15.26	158.99	23.29	153.31	22.92	143.38	22.27	134.09	21.65	13.1	-10.5	209.40	24.17	195.74	23.58	182.98	23.02	133.29	13.56	165.10	22.12	159.21	21.77	148.89	21.16	139.24	20.57	15	-9.4	142.39	14.94	142.39	15.60	142.39	16.28	138.42	15.12	142.39	17.34	142.39	17.70	142.39	18.40	142.39	19.12	18	-7.8	182.73	16.87	182.73	17.31	182.73	17.76	184.57	18.72	182.73	19.00	182.73	19.28	182.73	20.16	182.73	21.09	21	-6.1	184.76	17.14	184.33	17.90	183.91	18.69	186.62	19.45	183.91	19.77	184.76	19.99	184.76	20.44	184.76	20.90	24	-4.4	191.01	18.11	188.89	18.86	186.79	19.65	188.68	20.44	185.74	20.77	185.71	19.99	185.28	19.45	184.85	18.94	28	-2.2	209.67	17.93	201.11	18.73	192.90	19.57	192.78	20.27	188.80	20.54	188.70	19.36	186.13	17.67	183.59	16.13	32	0	216.66	19.15	212.46	19.64	208.33	20.14	196.88	20.14	193.89	19.85	190.09	18.17	184.64	16.10	179.35	14.27	40	4.4	235.90	18.82	225.90	18.89	216.34	18.95	200.98	18.92	199.69	18.08	193.30	17.04	183.61	14.90	174.41	13.03	43	6.1	258.52	18.86	241.66	18.54	225.90	18.23	207.82	16.80	203.83	16.00	196.55	15.89	183.82	13.92	171.91	12.20	47	8.3	258.52	23.32	241.66	21.22	225.90	19.31	208.77	16.38	203.83	16.44	198.95	15.27	183.97	13.65	170.12	12.20	50	10	258.52	21.91	241.66	20.09	225.90	18.42	208.77	16.17	203.83	15.82	195.43	14.69	180.72	13.24	167.12	11.94	53	11.7	258.52	20.76	241.66	19.02	225.90	17.42	208.77	15.95	203.83	15.21	195.43	14.66	180.72	13.17	167.12	11.84	56	13.3	258.52	20.75	241.66	19.05	225.90	17.50	208.77	15.99	203.83	15.35	195.43	14.60	180.72	13.12	167.12	11.79	57	13.9	258.52	20.53	241.66	18.73	225.90	17.08	208.77	15.82	203.83	15.09	195.43	14.41	180.72	12.96	167.12	11.65	60	15.6	258.52	20.51	241.66	18.73	225.90	17.10	208.77	15.74	203.83	14.43	195.43	14.37	180.72	12.85	167.12	11.48

100%

Combination	Outdoor Ambient Temperature		Indoor Ambient Temperature °F WB(°C WB)																									
	°F DB	°C DB	59(15)			64(17.8)			68(20)			70(21.1)			72(22.2)			74(23.3)			75(23.9)			80(26.7)				
			TC	PI	KW	KBTU	TC	PI	KW	KBTU	TC	PI	KW	KBTU	TC	PI	KW	KBTU	TC	PI	KW	KBTU	TC	PI	KW	KBTU		
	-22	-30	71.35	19.39	66.70	18.43	62.35	17.52	56.60	16.10	56.26	16.22	54.25	15.78	50.73	15.00	47.45	14.26										
	-13	-25	145.08	30.12	135.62	29.40	126.77	28.69	115.09	26.85	114.39	27.58	110.31	27.14	103.16	26.38	96.47	25.64										
	-4	-20	168.86	29.32	157.85	28.61	147.56	27.93	133.96	26.14	133.14	26.84	128.39	26.42	120.07	25.68	112.29	24.96										
	-2.2	-19	171.24	28.56	160.07	27.87	149.63	27.20	135.85	25.46	135.02	26.14	130.20	25.73	121.76	25.01	113.87	24.31										
	4.1	-15.5	183.13	27.49	171.19	26.83	160.03	26.18	145.28	24.50	144.40	25.16	139.24	24.76	130.22	24.07	121.78	23.40										
	12	-11.1	185.51	23.15	173.41	22.59	162.10	22.05	147.17	20.63	146.27	21.19	141.05	20.85	131.91	20.27	123.36	19.70										
	13.1	-10.5	192.65	21.99	180.08	21.46	168.34	20.94	152.83	19.60	151.90	20.13	146.47	19.81	136.98	19.26	128.10	18.72										
	15	-9.4	130.99	13.59	130.99	14.19	130.99	14.82	132.32	15.43	130.99	15.78	130.99	16.11	130.99	16.74	130.99	17.40										
	18	-7.8	168.11	15.35	168.11	15.75	168.11	16.16	169.81	17.03	168.11	17.29	168.11	17.54	168.11	18.35	168.11	19.19										
	21	-6.1	169.98	15.60	169.59	16.29	169.20	17.01	171.69	17.70	169.20	17.99	169.98	18.19	169.98	18.60	169.98	19.01										
	24	-4.4	175.73	16.48	173.78	17.16	171.85	17.88	173.58	18.60	170.88	18.90	170.86	18.19	170.46	17.70	170.07	17.23										
	28	-2.2	192.89	16.32	185.02	17.05	177.47	17.81	177.35	18.45	173.69	18.69	173.61	17.62	171.24	16.08	168.91	14.68										
	32	0	199.33	17.42	195.46	17.87	191.67	18.32	181.13	18.32	178.38	18.07	174.88	16.54	169.87	14.65	165.00	12.98										
	40	4.4	217.02	17.13	207.83	17.19	199.03	17.24	184.90	17.22	183.72	16.45	177.84	15.51	168.93	13.56	160.46	11.86										
	43	6.1	237.84	17.16	222.32	16.87	207.83	16.59	188.68	15.29	187.53	14.56	180.83	14.46	169.11	12.67	158.15	11.11										
	47	8.3	237.84	21.22	222.32	19.31	207.83	17.57	192.07	14.90	187.53	14.96	183.03	13.90	169.25	12.42	156.51	11.10										
	50	10	237.84	19.94	222.32	18.28	207.83	16.76	192.07	14.72	187.53	14.40	179.79	13.36	166.26	12.05	153.75	10.87										
	53	11.7	237.84	18.90	222.32	17.31	207.83	15.85	192.07	14.52	187.53	13.85	179.79	13.34	166.26	11.99	153.75	10.77										
	56	13.3	237.84	18.88	222.32	17.34	207.83	15.92	192.07	14.55	187.53	13.97	179.79	13.29	166.26	11.94	153.75	10.73										
	57	13.9	237.84	18.68	222.32	17.04	207.83	15.55	192.07	14.39	187.53	13.73	179.79	13.12	166.26	11.79	153.75	10.60										
	60	15.6	237.84	18.67	222.32	17.05	207.83	15.57	192.07	14.32	187.53	13.14	179.79	13.08	166.26	11.69	153.75	10.45										

Combination	Outdoor Ambient Temperature		Indoor Ambient Temperature °F WB(°C WB)																									
			59(15)			64(17.8)			68(20)			70(21.1)			72(22.2)			74(23.3)			75(23.9)			80(26.7)				
	°F DB	°C DB	TC	KBTU	PI	KW	TC	KBTU	PI	KW	TC	KBTU	PI	KW	TC	KBTU	PI	KW	TC	KBTU	PI	KW	TC	KBTU	PI	KW		
	-22	-30	62.82	16.56	58.72	15.72	54.89	14.94	49.83	13.72	49.53	13.81	47.76	13.43	44.67	12.75	41.77	12.12										
	-13	-25	127.73	24.40	119.40	23.81	111.62	23.24	101.33	21.75	100.71	22.34	97.12	21.98	90.82	21.37	84.94	20.77										
	-4	-20	148.67	23.75	138.98	23.18	129.91	22.62	117.94	21.17	117.22	21.74	113.04	21.40	105.71	20.80	98.86	20.21										
	-2.2	-19	150.77	23.13	140.93	22.58	131.74	22.03	119.60	20.62	118.88	21.18	114.63	20.84	107.20	20.26	100.26	19.69										
	4.1	-15.5	161.24	22.27	150.72	21.73	140.89	21.21	127.91	19.85	127.13	20.38	122.59	20.06	114.65	19.50	107.22	18.95										
	12	-11.1	163.33	18.75	152.68	18.30	142.72	17.86	129.57	16.71	128.78	17.16	124.18	16.89	116.14	16.42	108.61	15.96										
	13.1	-10.5	169.61	17.81	158.55	17.38	148.21	16.96	134.55	15.88	133.73	16.31	128.96	16.05	120.60	15.60	112.79	15.16										
	15	-9.4	115.33	11.01	115.33	11.50	115.33	12.00	116.50	12.50	115.33	12.78	115.33	13.05	115.33	13.56	115.33	14.09										
	18	-7.8	148.01	12.44	148.01	12.76	148.01	13.09	149.50	13.80	148.01	14.00	148.01	14.21	148.01	14.86	148.01	15.55										
	21	-6.1	149.65	12.63	149.31	13.19	148.97	13.78	151.17	14.34	148.97	14.57	149.65	14.73	149.65	15.06	149.65	15.40										
	24	-4.4	154.72	13.35	153.00	13.90	151.30	14.48	152.83	15.06	150.45	15.31	150.43	14.73	150.08	14.34	149.73	13.96										
	28	-2.2	169.83	13.22	162.90	13.81	156.25	14.42	156.15	14.94	152.93	15.14	152.85	14.27	150.77	13.02	148.71	11.89										
	32	0	175.50	14.11	172.09	14.47	168.75	14.84	159.47	14.84	157.05	14.63	153.97	13.40	149.56	11.87	145.27	10.52										
	40	4.4	191.08	13.87	182.98	13.92	175.23	13.97	162.79	13.95	161.75	13.33	156.57	12.56	148.73	10.99	141.27	9.61										
	43	6.1	209.40	13.90	195.74	13.67	182.98	13.44	166.12	12.38	165.10	11.79	159.21	11.71	148.89	10.26	139.24	9.00										
	47	8.3	209.40	17.19	195.74	15.64	182.98	14.23	169.11	12.07	165.10	12.12	161.15	11.26	149.02	10.06	137.80	8.99										
	50	10	209.40	16.15	195.74	14.81	182.98	13.58	169.11	11.92	165.10	11.66	158.30	10.83	146.38	9.76	135.36	8.80										
	53	11.7	209.40	15.31	195.74	14.02	182.98	12.84	169.11	11.76	165.10	11.21	158.30	10.81	146.38	9.71	135.36	8.73										
	56	13.3	209.40	15.29	195.74	14.04	182.98	12.90	169.11	11.79	165.10	11.32	158.30	10.77	146.38	9.67	135.36	8.69										
	57	13.9	209.40	15.13	195.74	13.80	182.98	12.59	169.11	11.66	165.10	11.12	158.30	10.62	146.38	9.55	135.36	8.58										
	60	15.6	209.40	15.12	195.74	13.81	182.98	12.61	169.11	11.60	165.10	10.64	158.30	10.59	146.38	9.47	135.36	8.46										

Combination	Outdoor Ambient Temperature		Indoor Ambient Temperature °F WB(°C WB)																								
			59(15)			64(17.8)			68(20)			70(21.1)			72(22.2)			74(23.3)			75(23.9)			80(26.7)			
			TC	PI	KW	TC	PI	KW	TC	PI	KW	TC	PI	KW	TC	PI	KW	TC	PI	KW	TC	PI	KW	TC	PI	KW	
	°F DB	°C DB	KBTU	KW	KBTU	KW	KBTU	KW	KBTU	KW	KBTU	KW	KBTU	KW	KBTU	KW	KBTU	KW	KBTU	KW	KBTU	KW	KBTU	KW	KBTU	KW	
	-22	-30	54.29	14.82	50.75	14.08	47.44	13.39	43.07	12.31	42.80	12.40	41.28	12.06	38.60	11.46	36.10	10.90									
	-13	-25	110.39	23.17	103.19	22.61	96.46	22.07	87.57	20.66	87.04	21.21	83.93	20.88	78.49	20.29	73.40	19.72									
	-4	-20	128.48	22.55	120.10	22.01	112.27	21.48	101.93	20.10	101.30	20.65	97.69	20.32	91.36	19.75	85.44	19.20									
	-2.2	-19	130.29	21.97	121.80	21.44	113.85	20.92	103.36	19.58	102.73	20.11	99.06	19.79	92.64	19.24	86.64	18.70									
	4.1	-15.5	139.34	21.15	130.25	20.64	121.76	20.14	110.54	18.85	109.87	19.36	105.94	19.05	99.08	18.52	92.66	18.00									
	12	-11.1	141.15	17.81	131.95	17.38	123.34	16.96	111.97	15.87	111.29	16.30	107.32	16.04	100.36	15.59	93.86	15.16									
	13.1	-10.5	146.58	16.92	137.02	16.51	128.08	16.11	116.28	15.08	115.57	15.48	111.45	15.24	104.22	14.81	97.47	14.40									
	15	-9.4	99.67	10.46	99.67	10.92	99.67	11.40	100.68	11.87	99.67	12.14	99.67	12.39	99.67	12.88	99.67	13.38									
	18	-7.8	127.91	11.81	127.91	12.12	127.91	12.43	129.20	13.10	127.91	13.30	127.91	13.49	127.91	14.11	127.91	14.76									
	21	-6.1	129.33	12.00	129.03	12.53	128.74	13.08	130.64	13.62	128.74	13.84	129.33	13.99	129.33	14.31	129.33	14.63									
	24	-4.4	133.71	12.67	132.22	13.20	130.75	13.75	132.07	14.31	130.02	14.54	130.00	13.99	129.70	13.62	129.40	13.26									
	28	-2.2	146.77	12.55	140.78	13.11	135.03	13.70	134.94	14.19	132.16	14.38	132.09	13.55	130.29	12.37	128.52	11.29									
	32	0	151.67	13.40	148.72	13.74	145.83	14.10	137.81	14.10	135.73	13.90	133.06	12.72	129.25	11.27	125.54	9.99									
	40	4.4	165.13	13.17	158.13	13.22	151.43	13.26	140.69	13.25	139.79	12.66	135.31	11.93	128.53	10.43	122.09	9.12									
	43	6.1	180.96	13.20	169.16	12.98	158.13	12.76	143.56	11.76	142.68	11.20	137.59	11.12	128.67	9.75	120.33	8.54									
	47	8.3	180.96	16.33	169.16	14.85	158.13	13.52	146.14	11.46	142.68	11.51	139.26	10.69	128.78	9.56	119.09	8.54									
	50	10	180.96	15.33	169.16	14.06	158.13	12.89	146.14	11.32	142.68	11.08	136.80	10.28	126.50	9.27	116.98	8.36									
	53	11.7	180.96	14.53	169.16	13.31	158.13	12.19	146.14	11.17	142.68	10.65	136.80	10.26	126.50	9.22	116.98	8.29									
	56	13.3	180.96	14.52	169.16	13.34	158.13	12.25	146.14	11.20	142.68	10.75	136.80	10.22	126.50	9.18	116.98	8.25									
	57	13.9	180.96	14.37	169.16	13.11	158.13	11.96	146.14	11.07	142.68	10.56	136.80	10.09	126.50	9.07	116.98	8.15									
	60	15.6	180.96	14.36	169.16	13.11	158.13	11.97	146.14	11.01	142.68	10.10	136.80	10.06	126.50	8.99	116.98	8.04									

Combination	Outdoor Ambient Temperature		Indoor Ambient Temperature °F WB(°C WB)																									
			59(15)		64(17.8)		68(20)		70(21.1)		72(22.2)		74(23.3)		75(23.9)		80(26.7)											
	°F DB	°C DB	TC	PI	KBTU	kW	TC	PI	KBTU	kW	TC	PI	KBTU	kW	TC	PI	KBTU	kW	TC	PI	KBTU	kW	TC	PI	KBTU	kW		
	-22	-30	48.86	13.26	45.67	12.60	42.69	11.98	38.76	11.01	38.52	11.09	37.15	10.78	34.74	10.25	32.49	9.74										
	-13	-25	99.35	20.52	92.87	20.03	86.81	19.55	78.81	18.29	78.33	18.79	75.54	18.49	70.64	17.97	66.06	17.47										
	-4	-20	115.63	19.98	108.09	19.50	101.04	19.03	91.73	17.81	91.17	18.29	87.92	18.00	82.22	17.49	76.89	17.00										
	-2.2	-19	117.26	19.46	109.62	18.99	102.47	18.53	93.03	17.34	92.46	17.81	89.16	17.53	83.38	17.04	77.98	16.56										
	4.1	-15.5	125.41	18.73	117.23	18.28	109.58	17.84	99.49	16.69	98.88	17.14	95.35	16.87	89.17	16.40	83.39	15.94										
	12	-11.1	127.04	15.77	118.75	15.39	111.01	15.02	100.78	14.06	100.16	14.44	96.59	14.21	90.33	13.81	84.47	13.42										
	13.1	-10.5	131.92	14.98	123.32	14.62	115.28	14.27	104.65	13.36	104.02	13.71	100.30	13.50	93.80	13.12	87.72	12.75										
	15	-9.4	89.70	9.26	89.70	9.67	89.70	10.09	90.61	10.51	89.70	10.75	89.70	10.97	89.70	11.41	89.70	11.85										
	18	-7.8	115.12	10.46	115.12	10.73	115.12	11.01	116.28	11.61	115.12	11.78	115.12	11.95	115.12	12.50	115.12	13.08										
	21	-6.1	116.40	10.63	116.13	11.10	115.86	11.59	117.57	12.06	115.86	12.26	116.40	12.39	116.40	12.67	116.40	12.96										
60%	24	-4.4	120.34	11.23	119.00	11.69	117.68	12.18	118.87	12.67	117.02	12.87	117.00	12.39	116.73	12.06	116.46	11.74										
	28	-2.2	132.09	11.12	126.70	11.61	121.53	12.13	121.45	12.57	118.94	12.74	118.88	12.00	117.26	10.96	115.66	10.00										
	32	0	136.50	11.87	133.85	12.17	131.25	12.48	124.03	12.48	122.15	12.31	119.76	11.27	116.32	9.98	112.99	8.85										
	40	4.4	148.61	11.67	142.32	11.71	136.29	11.75	126.62	11.73	125.81	11.21	121.78	10.57	115.68	9.24	109.88	8.08										
	43	6.1	162.87	11.69	152.24	11.50	142.32	11.30	129.20	10.42	128.41	9.92	123.83	9.85	115.80	8.63	108.30	7.57										
	47	8.3	162.87	14.46	152.24	13.16	142.32	11.97	131.53	10.15	128.41	10.19	125.34	9.47	115.90	8.46	107.18	7.57										
	50	10	162.87	13.58	152.24	12.45	142.32	11.42	131.53	10.03	128.41	9.81	123.12	9.11	113.85	8.21	105.28	7.40										
	53	11.7	162.87	12.87	152.24	11.79	142.32	10.80	131.53	9.89	128.41	9.43	123.12	9.09	113.85	8.17	105.28	7.34										
	56	13.3	162.87	12.86	152.24	11.81	142.32	10.85	131.53	9.92	128.41	9.52	123.12	9.05	113.85	8.13	105.28	7.31										
	57	13.9	162.87	12.73	152.24	11.61	142.32	10.59	131.53	9.81	128.41	9.36	123.12	8.94	113.85	8.03	105.28	7.22										
	60	15.6	162.87	12.72	152.24	11.61	142.32	10.60	131.53	9.76	128.41	8.95	123.12	8.91	113.85	7.97	105.28	7.12										

Combination	Outdoor Ambient Temperature		Indoor Ambient Temperature °F WB(°C WB)																								
			59(15)			64(17.8)			68(20)			70(21.1)			72(22.2)			74(23.3)			75(23.9)			80(26.7)			
			TC	PI	KW	TC	PI	KW	TC	PI	KW	TC	PI	KW	TC	PI	KW	TC	PI	KW	TC	PI	KW	TC	PI	KW	
	°F DB	°C DB	KBTU	PI	KW	KBTU	PI	KW	KBTU	PI	KW	KBTU	PI	KW	KBTU	PI	KW	KBTU	PI	KW	KBTU	PI	KW	KBTU	PI	KW	
	-22	-30	41.88	12.32	39.15	11.73	36.60	11.17	33.22	10.28	33.02	10.38	31.84	10.10	29.78	9.62	27.85	9.17									
	-13	-25	85.16	21.52	79.60	21.00	74.41	20.49	67.55	19.18	67.14	19.70	64.74	19.39	60.55	18.84	56.63	18.31									
	-4	-20	99.12	20.94	92.65	20.44	86.61	19.95	78.63	18.67	78.15	19.17	75.36	18.87	70.48	18.34	65.91	17.83									
	-2.2	-19	100.51	20.40	93.96	19.91	87.83	19.43	79.74	18.18	79.25	18.67	76.42	18.38	71.47	17.86	66.84	17.36									
	4.1	-15.5	107.49	19.63	100.48	19.16	93.93	18.70	85.27	17.50	84.75	17.97	81.73	17.69	76.43	17.19	71.48	16.71									
	12	-11.1	108.89	16.53	101.79	16.14	95.15	15.75	86.38	14.74	85.85	15.14	82.79	14.90	77.42	14.48	72.41	14.07									
	13.1	-10.5	113.08	15.71	105.70	15.33	98.81	14.96	89.70	14.00	89.16	14.38	85.97	14.15	80.40	13.75	75.19	13.37									
	15	-9.4	76.89	9.71	76.89	10.14	76.89	10.58	77.66	11.02	76.89	11.27	76.89	11.51	76.89	11.96	76.89	12.43									
	18	-7.8	98.67	10.97	98.67	11.25	98.67	11.54	99.67	12.17	98.67	12.35	98.67	12.53	98.67	13.11	98.67	13.71									
	21	-6.1	99.77	11.14	99.54	11.63	99.31	12.15	100.78	12.65	99.31	12.85	99.77	12.99	99.77	13.28	99.77	13.58									
	24	-4.4	103.15	11.77	102.00	12.26	100.87	12.77	101.88	13.28	100.30	13.50	100.29	12.99	100.05	12.65	99.82	12.31									
	28	-2.2	113.22	11.65	108.60	12.18	104.17	12.72	104.10	13.18	101.95	13.35	101.90	12.58	100.51	11.49	99.14	10.48									
	32	0	117.00	12.45	114.73	12.76	112.50	13.09	106.31	13.09	104.70	12.90	102.65	11.81	99.71	10.47	96.85	9.27									
	40	4.4	127.38	12.23	121.99	12.28	116.82	12.32	108.53	12.30	107.83	11.75	104.38	11.08	99.15	9.69	94.18	8.47									
	43	6.1	139.60	12.26	130.50	12.05	121.98	11.85	110.74	10.92	110.07	10.40	106.14	10.33	99.26	9.05	92.83	7.93									
	47	8.3	139.60	15.16	130.50	13.79	121.98	12.55	112.74	10.64	110.07	10.69	107.43	9.93	99.34	8.87	91.87	7.93									
	50	10	139.60	14.24	130.50	13.06	121.98	11.97	112.74	10.51	110.07	10.28	105.53	9.55	97.59	8.61	90.24	7.76									
	53	11.7	139.60	13.50	130.50	12.36	121.98	11.32	112.74	10.37	110.07	9.89	105.53	9.53	97.59	8.56	90.24	7.70									
	56	13.3	139.60	13.49	130.50	12.39	121.98	11.37	112.74	10.40	110.07	9.98	105.53	9.49	97.59	8.53	90.24	7.66									
	57	13.9	139.60	13.34	130.50	12.17	121.98	11.10	112.74	10.28	110.07	9.81	105.53	9.37	97.59	8.42	90.24	7.57									
	60	15.6	139.60	13.33	130.50	12.18	121.98	11.12	112.74	10.23	110.07	9.38	105.53	9.34	97.59	8.35	90.24	7.46									

Combination	Outdoor Ambient Temperature °F DB °C DB	Indoor Ambient Temperature °F WB(°C WB)																																																																																																																																																																																																																																																																																																																																																																					
		59(15)				64(17.8)				68(20)				70(21.1)				72(22.2)				74(23.3)				75(23.9)				80(26.7)																																																																																																																																																																																																																																																																																																																																									
		TC	PI	KW	KBTU	TC	PI	KW	KBTU	TC	PI	KW	KBTU	TC	PI	KW	KBTU	TC	PI	KW	KBTU	TC	PI	KW	KBTU	TC	PI	KW	KBTU	TC	PI	KW	KBTU																																																																																																																																																																																																																																																																																																																																						
	-22	91.53	24.78	85.56	23.54	79.98	22.38	72.61	20.57	72.17	20.72	69.59	20.15	65.08	19.15	60.86	18.21	-13	186.11	38.23	173.97	37.31	162.62	36.41	147.64	34.07	146.74	34.99	141.50	34.44	132.33	33.47	123.75	32.54	-4	216.62	37.21	202.49	36.31	189.28	35.44	171.84	33.17	170.79	34.06	164.69	33.52	154.02	32.58	144.04	31.67	-2.2	219.67	36.24	205.34	35.37	191.95	34.52	174.26	32.30	173.20	33.17	167.01	32.65	156.19	31.74	146.07	30.85	4.1	234.92	34.88	219.60	34.04	205.28	33.22	186.36	31.09	185.23	31.93	178.61	31.43	167.04	30.55	156.22	29.69	12	237.97	29.37	222.45	28.67	207.94	27.98	188.78	26.18	187.63	26.89	180.93	26.46	169.21	25.72	158.24	25.00	13.1	247.12	27.91	231.01	27.23	215.94	26.58	196.04	24.87	194.85	25.54	187.89	25.14	175.72	24.44	164.33	23.75	15	168.04	17.25	168.04	18.01	168.04	18.80	169.73	19.58	168.04	20.03	168.04	20.44	168.04	21.24	168.04	22.08	18	215.65	19.48	215.65	19.99	215.65	20.50	217.83	21.62	215.65	21.94	215.65	22.26	215.65	23.28	215.65	24.35	21	218.05	19.79	217.54	20.67	217.04	21.58	220.25	22.47	217.04	22.83	218.04	23.08	218.04	23.60	218.04	24.13	24	225.42	20.91	222.92	21.78	220.44	22.69	222.67	23.60	219.20	23.98	219.20	23.98	219.17	23.08	218.66	22.47	218.16	21.87	28	247.44	20.70	237.34	21.63	227.65	22.60	227.51	23.41	222.81	23.72	222.70	22.36	219.66	20.40	216.67	18.62	32	255.70	22.11	250.73	22.67	245.87	23.25	232.35	23.25	228.82	22.92	224.34	20.99	217.90	18.60	211.66	16.48	40	278.39	21.73	266.60	21.81	255.31	21.88	237.19	21.85	235.67	20.88	228.13	19.68	216.69	17.21	205.84	15.05	43	305.09	21.78	285.19	21.41	266.59	21.05	242.03	19.40	240.56	18.48	231.96	18.34	216.93	16.08	202.88	14.09	47	305.09	26.93	285.19	24.50	266.59	22.30	246.39	18.91	240.56	18.98	234.79	17.64	217.11	15.76	200.77	14.09	50	305.09	25.30	285.19	23.20	266.59	21.27	246.39	18.67	240.56	18.27	230.64	16.96	213.28	15.29	197.22	13.79	53	305.09	23.98	285.19	21.96	266.59	20.11	246.39	18.42	240.56	17.57	230.64	16.93	213.28	15.21	197.22	13.67	56	305.09	23.96	285.19	22.00	266.59	20.20	246.39	18.47	240.56	17.73	230.64	16.87	213.28	15.15	197.22	13.61	57	305.09	23.71	285.19	21.63	266.59	19.73	246.39	18.27	240.56	17.43	230.64	16.64	213.28	14.96	197.22	13.45	60	305.09	23.69	285.19	21.63	266.59	19.75	246.39	18.17	240.56	16.67	230.64	16.60	213.28	14.84	197.22	13.26

130%

Combination	Outdoor Ambient Temperature °F DB °C DB	Indoor Ambient Temperature °F WB(°C WB)																								
		59(15)			64(17.8)			68(20)			70(21.1)			72(22.2)			74(23.3)			75(23.9)			80(26.7)			
		TC	PI	KW	TC	PI	KW	TC	PI	KW	TC	PI	KW	TC	PI	KW	TC	PI	KW	TC	PI	KW	TC	PI	KW	
	-22	-30	90.65	24.73	84.74	23.50	79.21	22.34	71.91	20.54	71.47	20.69	68.92	20.12	64.45	19.13	60.28	18.19								
	-13	-25	184.32	38.62	172.30	37.69	161.06	36.78	146.22	34.43	145.33	35.35	140.14	34.79	131.06	33.82	122.56	32.87								
	-4	-20	214.53	37.59	200.54	36.69	187.46	35.80	170.19	33.51	169.15	34.41	163.11	33.87	152.54	32.92	142.66	31.99								
	-2.2	-19	217.55	36.62	203.37	35.73	190.10	34.87	172.59	32.64	171.53	33.52	165.41	32.99	154.69	32.06	144.67	31.16								
	4.1	-15.5	232.66	35.24	217.49	34.39	203.30	33.56	184.57	31.41	183.45	32.26	176.89	31.75	165.43	30.86	154.71	30.00								
	12	-11.1	235.68	29.68	220.31	28.96	205.94	28.26	186.97	26.45	185.83	27.17	179.19	26.74	167.58	25.99	156.72	25.26								
	13.1	-10.5	244.75	28.19	228.79	27.51	213.87	26.85	194.16	25.13	192.98	25.81	186.08	25.40	174.03	24.69	162.75	24.00								
	15	-9.4	166.42	17.43	166.42	18.19	166.42	18.99	168.10	19.78	166.42	20.23	166.42	20.65	166.42	21.46	166.42	22.31								
	18	-7.8	213.57	19.68	213.57	20.19	213.57	20.71	215.73	21.84	213.57	22.17	213.57	22.49	213.57	23.52	213.57	24.60								
	21	-6.1	215.95	19.99	215.45	20.88	214.95	21.81	218.13	22.70	214.95	23.06	215.95	23.32	215.95	23.84	215.95	24.38								
	24	-4.4	223.25	21.12	220.77	22.01	218.32	22.92	220.53	23.84	217.09	24.23	217.06	23.32	216.56	22.70	216.06	22.09								
	28	-2.2	245.06	20.92	235.06	21.85	225.47	22.83	225.32	23.65	220.67	23.97	220.56	22.59	217.55	20.62	214.59	18.82								
	32	0	253.24	22.34	248.32	22.91	243.50	23.49	230.11	23.49	226.62	23.16	222.18	21.20	215.81	18.79	209.62	16.65								
	40	4.4	275.72	21.96	264.04	22.03	252.85	22.11	234.91	22.08	233.40	21.09	225.93	19.88	214.61	17.39	203.86	15.21								
	43	6.1	302.16	22.01	282.45	21.63	264.03	21.27	239.70	19.60	238.24	18.67	229.73	18.53	214.85	16.24	200.93	14.24								
	47	8.3	302.16	27.21	282.45	24.76	264.03	22.53	244.02	19.10	238.24	19.18	232.53	17.82	215.03	15.93	198.84	14.24								
	50	10	302.16	25.56	282.45	23.44	264.03	21.49	244.02	18.87	238.24	18.46	228.42	17.13	211.23	15.45	195.33	13.93								
	53	11.7	302.16	24.22	282.45	22.19	264.03	20.32	244.02	18.61	238.24	17.75	228.42	17.10	211.23	15.37	195.33	13.81								
	56	13.3	302.16	24.21	282.45	22.23	264.03	20.41	244.02	18.66	238.24	17.91	228.42	17.04	211.23	15.31	195.33	13.75								
	57	13.9	302.16	23.95	282.45	21.85	264.03	19.93	244.02	18.45	238.24	17.60	228.42	16.82	211.23	15.12	195.33	13.59								
	60	15.6	302.16	23.93	282.45	21.85	264.03	19.96	244.02	18.36	238.24	16.84	228.42	16.77	211.23	14.99	195.33	13.40								

120%

Combination	Outdoor Ambient Temperature		Indoor Ambient Temperature °F WB(°C WB)																							
			59(15)		64(17.8)		68(20)		70(21.1)		72(22.2)		74(23.3)		75(23.9)		80(26.7)									
			TC	PI	TC	PI	TC	PI	TC	PI	TC	PI	TC	PI	TC	PI	TC	PI								
°F DB	°C DB	KBTU	kW	KBTU	kW	KBTU	kW	KBTU	kW	KBTU	kW	KBTU	kW	KBTU	kW	KBTU	kW	KBTU	kW	KBTU	kW	KBTU	kW			
	-22	-30	88.89	24.52	83.09	23.31	77.67	22.17	70.51	20.39	70.08	20.54	67.58	19.98	63.20	19.00	59.11	18.07								
	-13	-25	180.74	39.02	168.95	38.08	157.93	37.16	143.38	34.78	142.51	35.71	137.42	35.15	128.51	34.16	120.19	33.21								
	-4	-20	210.37	37.98	196.65	37.06	183.82	36.17	166.88	33.85	165.87	34.76	159.94	34.21	149.58	33.25	139.89	32.32								
	-2.2	-19	213.33	36.99	199.42	36.10	186.41	35.23	169.23	32.97	168.20	33.86	162.20	33.32	151.69	32.39	141.86	31.48								
	4.1	-15.5	228.14	35.60	213.27	34.74	199.36	33.91	180.99	31.73	179.88	32.59	173.46	32.07	162.22	31.17	151.71	30.30								
	12	-11.1	231.11	29.98	216.03	29.26	201.95	28.55	183.34	26.72	182.22	27.44	175.71	27.01	164.33	26.25	153.68	25.52								
	13.1	-10.5	240.00	28.48	224.34	27.79	209.71	27.13	190.39	25.39	189.23	26.07	182.47	25.66	170.65	24.94	159.59	24.24								
	15	-9.4	163.19	17.61	163.19	18.38	163.19	19.19	164.84	19.98	163.19	20.44	163.19	20.86	163.19	21.68	163.19	22.53								
	18	-7.8	209.43	19.89	209.43	20.40	209.43	20.93	211.54	22.06	209.43	22.39	209.43	22.72	209.43	23.76	209.43	24.86								
	21	-6.1	211.76	20.20	211.27	21.09	210.78	22.03	213.89	22.93	210.78	23.30	211.75	23.56	211.75	24.09	211.75	24.63								
	24	-4.4	218.92	21.34	216.49	22.23	214.08	23.16	216.24	24.09	212.88	24.47	212.85	23.56	212.36	22.93	211.87	22.32								
	28	-2.2	240.30	21.13	230.50	22.08	221.09	23.06	220.94	23.89	216.38	24.21	216.28	22.82	213.33	20.83	210.42	19.01								
	32	0	248.32	22.57	243.50	23.14	238.77	23.73	225.65	23.73	222.22	23.40	217.86	21.42	211.62	18.98	205.55	16.82								
	40	4.4	270.36	22.18	258.91	22.26	247.94	22.33	230.35	22.30	228.87	21.31	221.54	20.09	210.44	17.57	199.90	15.36								
	43	6.1	296.29	22.23	276.97	21.85	258.90	21.48	235.05	19.80	233.62	18.86	225.27	18.72	210.68	16.41	197.02	14.38								
	47	8.3	296.29	27.49	276.97	25.01	258.90	22.76	239.28	19.30	233.62	19.38	228.01	18.00	210.85	16.09	194.98	14.38								
	50	10	296.29	25.82	276.97	23.67	258.90	21.71	239.28	19.06	233.62	18.65	223.98	17.31	207.12	15.61	191.53	14.07								
	53	11.7	296.29	24.47	276.97	22.41	258.90	20.53	239.28	18.80	233.62	17.93	223.98	17.28	207.12	15.53	191.53	13.95								
	56	13.3	296.29	24.46	276.97	22.46	258.90	20.62	239.28	18.85	233.62	18.09	223.98	17.21	207.12	15.46	191.53	13.89								
	57	13.9	296.29	24.20	276.97	22.07	258.90	20.13	239.28	18.64	233.62	17.78	223.98	16.99	207.12	15.27	191.53	13.73								
	60	15.6	296.29	24.17	276.97	22.08	258.90	20.16	239.28	18.55	233.62	17.01	223.98	16.94	207.12	15.14	191.53	13.53								

110%

Combination	Outdoor Ambient Temperature °C DB		Indoor Ambient Temperature °F WB(°C WB)																																																																																																																																																																																																																																																																																																																																									
			59(15)			64(17.8)			68(20)			70(21.1)			72(22.2)			74(23.3)			75(23.9)			80(26.7)																																																																																																																																																																																																																																																																																																																				
			TC	PI	KW	TC	PI	KW	TC	PI	KW	TC	PI	KW	TC	PI	KW	TC	PI	KW	TC	PI	KW	TC	PI	KW																																																																																																																																																																																																																																																																																																																		
	-22	-30	88.01	24.47	23.27	76.90	22.14	19.53	69.39	20.51	66.91	19.95	62.58	18.98	58.52	18.06	178.95	39.41	167.28	38.46	156.37	37.53	139.55	29.21	141.09	36.07	136.06	35.50	127.24	34.51	119.00	33.54	208.28	38.36	194.70	37.43	182.00	36.53	164.23	35.11	158.36	34.56	148.10	33.59	138.50	32.65	211.22	37.36	197.44	36.46	184.57	35.58	166.54	34.20	160.59	33.66	150.18	32.72	140.45	31.80	225.89	35.96	211.15	35.09	197.38	34.25	186.84	27.25	178.10	32.92	171.74	32.40	160.61	31.49	150.21	30.61	228.82	30.28	213.90	29.55	199.95	28.84	135.64	18.95	180.42	27.72	173.97	27.28	162.70	26.52	152.16	25.77	237.62	28.77	222.12	28.08	207.64	27.40	142.66	18.00	187.36	26.33	180.66	25.92	168.96	25.19	158.01	24.49	161.57	17.78	161.57	18.57	161.57	19.38	156.92	18.00	161.57	20.65	161.57	21.07	161.57	21.90	161.57	22.76	207.35	20.09	207.35	20.61	207.35	21.14	209.45	22.28	207.35	22.62	207.35	22.95	207.35	24.00	207.35	25.11	209.66	20.40	209.18	21.31	208.69	22.25	211.78	23.16	208.69	23.53	209.66	23.79	209.66	24.33	209.66	24.88	216.75	21.55	214.34	22.45	211.96	23.39	214.10	24.33	210.77	24.72	210.74	23.79	210.25	23.16	209.77	22.54	237.92	21.34	228.21	22.30	218.90	23.30	218.76	24.13	214.24	24.46	214.14	23.05	211.22	21.04	208.34	19.20	245.86	22.79	241.09	23.38	236.41	23.97	223.41	23.97	220.02	23.63	215.71	21.64	209.52	19.17	203.52	16.99	267.69	22.41	256.35	22.48	245.49	22.56	228.07	22.53	226.61	21.52	219.35	20.29	208.36	17.74	197.92	15.52	293.36	22.45	274.23	22.07	256.34	21.70	233.86	20.00	231.30	19.05	223.04	18.91	208.59	16.58	195.07	14.53	293.36	27.76	274.23	25.26	256.34	22.99	236.91	19.49	231.30	19.57	225.76	18.18	208.76	16.25	193.05	14.53	293.36	26.08	274.23	23.91	256.34	21.93	236.91	19.25	231.30	18.84	221.76	17.48	205.07	15.76	189.64	14.21	293.36	24.72	274.23	22.64	256.34	20.74	236.91	18.99	231.30	18.11	221.76	17.45	205.07	15.68	189.64	14.09	293.36	24.70	274.23	22.68	256.34	20.83	236.91	19.04	231.30	18.28	221.76	17.39	205.07	15.62	189.64	14.03	293.36	24.44	274.23	22.29	256.34	20.34	236.91	18.83	231.30	17.96	221.76	17.16	205.07	15.42	189.64	13.86	293.36	24.42	274.23	22.30	256.34	20.36	236.91	18.73	231.30	17.18	221.76	17.11	205.07	15.29	189.64	13.67

Combination	Outdoor Ambient Temperature		Indoor Ambient Temperature °F WB(°C WB)																																																																																																																																																																																																																																																																																																																																																																																							
			59(15)				64(17.8)				68(20)				70(21.1)				72(22.2)				74(23.3)				75(23.9)				80(26.7)																																																																																																																																																																																																																																																																																																																																																											
			TC	PI	KBTU	kW	TC	PI	KBTU	kW	TC	PI	KBTU	kW	TC	PI	KBTU	kW	TC	PI	KBTU	kW	TC	PI	KBTU	kW	TC	PI	KBTU	kW	TC	PI	KBTU	kW																																																																																																																																																																																																																																																																																																																																																								
	°F DB	°C DB	-22	-30	80.97	22.54	75.69	21.07	70.75	19.70	64.23	17.88	63.84	17.77	61.56	17.14	57.57	16.03	53.84	14.99	-13	-25	127.18	30.74	127.18	32.27	127.18	33.88	128.46	35.35	128.46	35.92	127.18	36.29	127.18	38.43	127.18	40.71	-4	-20	127.18	29.84	127.18	31.33	127.18	32.90	128.46	34.32	128.46	34.87	127.18	35.23	127.18	37.31	127.18	39.52	-2.2	-19	127.18	29.54	127.18	31.02	127.18	32.57	128.46	34.52	127.18	34.88	127.18	36.94	127.18	39.13	4.1	-15.5	127.18	28.15	127.18	29.55	127.18	31.03	128.46	32.37	128.46	32.89	127.18	33.85	127.18	35.68	127.18	37.61	12	-11.1	173.81	14.51	173.81	15.15	173.81	15.83	175.56	16.53	173.81	16.69	173.81	17.38	173.81	18.16	173.81	18.97	13.1	-10.5	188.65	13.00	188.65	13.58	188.65	14.18	190.55	14.69	188.65	15.07	188.65	15.31	188.65	15.94	188.65	16.59	15	-9.4	148.65	16.18	148.65	16.90	148.65	17.64	150.15	18.37	148.65	18.79	148.65	19.18	148.65	19.93	148.65	20.71	18	-7.8	190.77	18.28	190.77	18.75	190.77	19.23	192.69	20.28	190.77	20.58	190.77	20.88	190.77	21.84	190.77	22.85	21	-6.1	192.89	18.57	192.44	19.39	192.00	20.25	194.83	21.08	192.00	21.41	192.89	21.65	192.89	22.14	192.89	22.64	24	-4.4	199.41	19.61	197.20	20.43	195.00	21.29	196.97	22.14	193.91	22.50	193.88	21.65	193.88	21.08	192.99	20.52	28	-2.2	218.89	19.42	209.96	20.29	201.39	21.20	201.26	21.96	197.10	22.25	197.01	20.97	194.32	19.14	191.67	17.47	32	0	226.20	20.74	221.80	21.27	217.50	21.81	205.54	21.81	202.42	21.51	198.45	19.69	192.76	17.45	187.24	15.46	40	4.4	246.27	20.39	235.84	20.46	225.85	20.53	209.82	20.50	208.48	19.59	201.80	18.46	191.69	16.15	182.09	14.12	43	6.1	269.89	20.43	252.29	20.09	235.83	19.75	214.10	18.20	212.80	17.34	205.20	17.21	191.90	15.08	179.47	13.22	47	8.3	269.89	25.27	252.29	22.99	235.83	20.92	217.96	17.74	212.80	17.81	207.70	16.55	192.06	14.79	177.61	13.22	50	10	269.89	23.73	252.29	21.76	235.83	19.95	217.96	17.52	212.80	17.14	204.02	15.91	188.67	14.35	174.47	12.94	53	11.7	269.89	22.49	252.29	20.60	235.83	18.87	217.96	17.28	212.80	16.48	204.02	15.88	188.67	14.27	174.47	12.83	56	13.3	269.89	22.48	252.29	20.64	235.83	18.96	217.96	17.33	212.80	16.63	204.02	15.82	188.67	14.21	174.47	12.77	57	13.9	269.89	22.24	252.29	20.29	235.83	18.51	217.96	17.14	212.80	16.35	204.02	15.62	188.67	14.04	174.47	12.62	60	15.6	269.89	22.22	252.29	20.29	235.83	18.53	217.96	17.05	212.80	15.64	204.02	15.57	188.67	13.92	174.47	12.44

Combination	Outdoor Ambient Temperature °F DB °C DB	Indoor Ambient Temperature °F WB(°C WB)																								
		59(15)			64(17.8)			68(20)			70(21.1)			72(22.2)			74(23.3)			75(23.9)			80(26.7)			
		TC	PI	KW	TC	PI	KW	TC	PI	KW	TC	PI	KW	TC	PI	KW	TC	PI	KW	TC	PI	KW	TC	PI	KW	
	-22	-30	71.29	19.85	66.64	18.55	62.29	17.34	56.55	15.75	56.21	15.65	54.20	15.09	50.69	14.11	47.40	13.20								
	-13	-25	111.97	24.90	111.97	26.14	111.97	27.45	113.10	28.64	113.10	29.09	111.97	29.39	111.97	31.13	111.97	32.97								
	-4	-20	111.97	24.17	111.97	25.38	111.97	26.65	113.10	27.80	113.10	28.25	111.97	28.54	111.97	30.22	111.97	32.01								
	-2.2	-19	111.97	23.93	111.97	25.13	111.97	26.38	113.10	27.52	113.10	27.96	111.97	28.25	111.97	29.92	111.97	31.69								
	4.1	-15.5	111.97	22.80	111.97	23.94	111.97	25.13	113.10	26.22	113.10	26.64	111.97	27.42	111.97	28.90	111.97	30.47								
	12	-11.1	153.03	11.75	153.03	12.27	153.03	12.82	154.57	13.39	153.03	13.52	153.03	14.07	153.03	14.71	153.03	15.37								
	13.1	-10.5	166.09	10.53	166.09	11.00	166.09	11.49	167.77	11.90	166.09	12.21	166.09	12.40	166.09	12.91	166.09	13.44								
	15	-9.4	130.88	13.11	130.88	13.68	130.88	14.29	132.20	14.88	130.88	15.22	130.88	15.53	130.88	16.14	130.88	16.78								
	18	-7.8	167.96	14.81	167.96	15.19	167.96	15.58	169.65	16.43	167.96	16.67	167.96	16.92	167.96	17.69	167.96	18.51								
	21	-6.1	169.82	15.04	169.43	15.70	169.04	16.40	171.54	17.07	169.04	17.35	169.82	17.54	169.82	17.93	169.82	18.34								
	24	-4.4	175.57	15.89	173.62	16.55	171.69	17.24	173.42	17.93	170.72	18.22	170.70	17.54	170.31	17.07	169.91	16.62								
	28	-2.2	192.72	15.73	184.85	16.44	177.31	17.17	177.19	17.79	173.54	18.03	173.45	16.99	171.09	15.51	168.75	14.15								
	32	0	199.15	16.80	195.28	17.23	191.49	17.67	180.96	17.67	178.22	17.42	174.72	15.95	169.71	14.13	164.85	12.52								
	40	4.4	216.83	16.52	207.64	16.57	198.85	16.63	184.73	16.61	183.55	15.86	177.67	14.96	168.77	13.08	160.31	11.44								
	43	6.1	237.62	16.55	222.12	16.27	207.64	15.99	188.50	14.74	187.36	14.04	180.66	13.94	168.96	12.22	158.01	10.71								
	47	8.3	237.62	20.47	222.12	18.62	207.64	16.94	191.90	14.37	187.36	14.43	182.86	13.40	169.10	11.98	156.37	10.71								
	50	10	237.62	19.22	222.12	17.63	207.64	16.16	191.90	14.19	187.36	13.88	179.63	12.89	166.11	11.62	153.61	10.48								
	53	11.7	237.62	18.22	222.12	16.69	207.64	15.28	191.90	14.00	187.36	13.35	179.63	12.86	166.11	11.56	153.61	10.39								
	56	13.3	237.62	18.21	222.12	16.72	207.64	15.35	191.90	14.04	187.36	13.47	179.63	12.82	166.11	11.51	153.61	10.34								
	57	13.9	237.62	18.01	222.12	16.43	207.64	14.99	191.90	13.88	187.36	13.24	179.63	12.65	166.11	11.37	153.61	10.22								
	60	15.6	237.62	18.00	222.12	16.44	207.64	15.01	191.90	13.81	187.36	12.67	179.63	12.61	166.11	11.27	153.61	10.08								

Combination	Outdoor Ambient Temperature		Indoor Ambient Temperature °F WB(°C WB)																								
			59(15)			64(17.8)			68(20)			70(21.1)			72(22.2)			74(23.3)			75(23.9)			80(26.7)			
			TC	PI	KW	TC	PI	KW	TC	PI	KW	TC	PI	KW	TC	PI	KW	TC	PI	KW	TC	PI	KW	TC	PI	KW	
	°F DB	°C DB	KBTU	PI	KW	KBTU	PI	KW	KBTU	PI	KW	KBTU	PI	KW	KBTU	PI	KW	KBTU	PI	KW	KBTU	PI	KW	KBTU	PI	KW	
	-22	-30	61.61	17.15	57.59	16.03	53.83	14.99	48.87	13.61	48.57	13.52	46.84	13.04	43.80	12.20	40.97	11.41									
	-13	-25	96.77	23.65	96.77	24.83	96.77	26.06	97.74	27.19	97.74	27.63	96.77	27.91	96.77	29.56	96.77	31.31									
	-4	-20	96.77	22.96	96.77	24.10	96.77	25.31	97.74	26.40	97.74	26.82	96.77	27.10	96.77	28.70	96.77	30.40									
	-2.2	-19	96.77	22.73	96.77	23.86	96.77	25.05	97.74	26.14	97.74	26.56	96.77	26.83	96.77	28.42	96.77	30.10									
	4.1	-15.5	96.77	21.65	96.77	22.73	96.77	23.87	97.74	24.90	97.74	25.30	96.77	26.04	96.77	27.45	96.77	28.93									
	12	-11.1	132.25	11.16	132.25	11.66	132.25	12.18	133.58	12.72	132.25	12.84	132.25	13.37	132.25	13.97	132.25	14.60									
	13.1	-10.5	143.53	10.00	143.53	10.44	143.53	10.91	144.98	11.30	143.53	11.59	143.53	11.78	143.53	12.26	143.53	12.76									
	15	-9.4	113.10	12.45	113.10	13.00	113.10	13.57	114.24	14.13	113.10	14.45	113.10	14.75	113.10	15.33	113.10	15.93									
	18	-7.8	145.15	14.06	145.15	14.42	145.15	14.80	146.61	15.60	145.15	15.83	145.15	16.06	145.15	16.80	145.15	17.57									
	21	-6.1	146.76	14.28	146.42	14.91	146.08	15.58	148.24	16.21	146.08	16.47	146.76	16.66	146.76	17.03	146.76	17.41									
	24	-4.4	151.73	15.09	150.04	15.72	148.37	16.37	149.87	17.03	147.54	17.30	147.52	16.66	147.18	16.21	146.84	15.78									
	28	-2.2	166.55	14.94	159.75	15.61	153.23	16.31	153.13	16.89	149.97	17.12	149.90	16.13	147.85	14.73	145.84	13.44									
	32	0	172.10	15.96	168.76	16.36	165.49	16.78	156.39	16.78	154.02	16.54	151.00	15.15	146.67	13.42	142.46	11.89									
	40	4.4	187.38	15.68	179.44	15.74	171.84	15.79	159.65	15.77	158.62	15.07	153.55	14.20	145.85	12.42	138.54	10.86									
	43	6.1	205.35	15.72	191.96	15.45	179.44	15.19	162.90	14.00	161.91	13.33	156.13	13.24	146.01	11.60	136.55	10.17									
	47	8.3	205.35	19.44	191.96	17.68	179.44	16.09	165.84	13.65	161.91	13.70	158.03	12.73	146.13	11.38	135.14	10.17									
	50	10	205.35	18.26	191.96	16.74	179.44	15.35	165.84	13.48	161.91	13.19	155.24	12.24	143.55	11.04	132.75	9.95									
	53	11.7	205.35	17.30	191.96	15.85	179.44	14.52	165.84	13.29	161.91	12.68	155.24	12.22	143.55	10.98	132.75	9.87									
	56	13.3	205.35	17.29	191.96	15.88	179.44	14.58	165.84	13.33	161.91	12.79	155.24	12.17	143.55	10.93	132.75	9.82									
	57	13.9	205.35	17.11	191.96	15.61	179.44	14.24	165.84	13.18	161.91	12.57	155.24	12.01	143.55	10.80	132.75	9.71									
	60	15.6	205.35	17.09	191.96	15.61	179.44	14.25	165.84	13.11	161.91	12.03	155.24	11.98	143.55	10.71	132.75	9.57									

Combination	Outdoor Ambient Temperature °C DB		Indoor Ambient Temperature °F WB(°C WB)																																																																																																																																																																																																																																																																																																																																																																																																										
			59(15)				64(17.8)				68(20)				70(21.1)				72(22.2)				74(23.3)				75(23.9)				80(26.7)																																																																																																																																																																																																																																																																																																																																																																														
			TC	PI	KW	KBTU	TC	PI	KW	KBTU	TC	PI	KW	KBTU	TC	PI	KW	KBTU	TC	PI	KW	KBTU	TC	PI	KW	KBTU	TC	PI	KW	KBTU	TC	PI	KW	KBTU																																																																																																																																																																																																																																																																																																																																																																											
	-22	-30	55.44	15.44	51.83	14.43	48.45	13.49	43.98	12.25	43.72	12.17	42.15	11.74	39.42	10.98	36.87	10.27	-13	-25	87.09	20.94	87.09	21.99	87.09	23.09	87.97	24.09	87.97	24.47	87.09	24.72	87.09	26.19	27.74	26.93	-4	-20	87.09	20.33	87.09	21.35	87.09	22.41	87.97	23.39	87.97	23.76	87.09	24.00	87.09	25.42	87.09	26.66	26.66	-2.2	-19	87.09	20.13	87.09	21.13	87.09	22.19	87.97	23.15	87.97	23.52	87.09	23.76	87.09	25.17	87.09	26.66	26.66	4.1	-15.5	87.09	19.18	87.09	20.13	87.09	21.14	87.97	22.06	87.97	22.41	87.09	23.06	87.09	24.31	87.09	25.63	25.63	12	-11.1	119.02	9.88	119.02	10.32	119.02	10.78	120.22	11.26	119.02	11.37	119.02	11.84	119.02	12.37	119.02	12.93	12.93	13.1	-10.5	129.18	8.86	129.18	9.25	129.18	9.66	130.49	10.01	129.18	10.27	129.18	10.43	129.18	10.86	129.18	11.30	11.30	15	-9.4	101.79	11.03	101.79	11.51	101.79	12.02	102.82	12.51	101.79	12.80	101.79	13.06	101.79	13.58	101.79	14.11	14.11	18	-7.8	130.63	12.45	130.63	12.78	130.63	13.11	131.95	13.82	130.63	14.02	130.63	14.23	130.63	14.88	130.63	15.57	15.57	21	-6.1	132.09	12.65	131.78	13.21	131.48	13.80	133.42	14.36	131.48	14.59	132.08	14.75	132.08	15.08	132.08	15.42	15.42	24	-4.4	136.55	13.36	135.04	13.92	133.54	14.50	134.88	15.08	132.79	15.33	132.77	14.75	132.46	14.36	132.15	13.98	13.98	28	-2.2	149.89	13.23	143.77	13.83	137.91	14.44	137.82	14.96	134.97	15.16	134.91	14.29	133.07	13.04	131.25	11.90	11.90	32	0	154.89	14.13	151.89	14.49	148.94	14.86	140.75	14.86	138.62	14.65	135.90	13.41	132.00	11.89	128.22	10.53	10.53	40	4.4	168.64	13.89	161.50	13.94	154.66	13.99	143.68	13.97	142.76	13.34	138.19	12.58	131.27	11.00	124.69	9.62	9.62	43	6.1	184.82	13.92	172.76	13.69	161.49	13.45	146.61	12.40	145.72	11.81	140.52	11.72	131.41	10.28	122.90	9.01	9.01	47	8.3	184.82	17.21	172.76	15.66	161.49	14.25	149.25	12.09	145.72	12.13	142.23	11.27	131.52	10.08	121.62	9.01	9.01	50	10	184.82	16.17	172.76	14.83	161.49	13.60	149.25	11.94	145.72	11.68	139.71	10.84	129.20	9.77	119.47	8.81	8.81	53	11.7	184.82	15.33	172.76	14.04	161.49	12.86	149.25	11.78	145.72	11.23	139.71	10.82	129.20	9.72	119.47	8.74	8.74	56	13.3	184.82	15.32	172.76	14.06	161.49	12.91	149.25	11.81	145.72	11.33	139.71	10.78	129.20	9.68	119.47	8.70	8.70	57	13.9	184.82	15.15	172.76	13.82	161.49	12.61	149.25	11.67	145.72	11.14	139.71	10.64	129.20	9.56	119.47	8.60	8.60	60	15.6	184.82	15.14	172.76	13.83	161.49	12.62	149.25	11.61	145.72	10.65	139.71	10.61	129.20	9.48	119.47	8.48	8.48

Combination	Outdoor Ambient Temperature		Indoor Ambient Temperature °F WB(°C WB)																																																																																																																																																																																																																																																																																																																																																																																									
			59(15)				64(17.8)				68(20)				70(21.1)				72(22.2)				74(23.3)				75(23.9)				80(26.7)																																																																																																																																																																																																																																																																																																																																																													
			TC	PI	KW	KBTU	TC	PI	KW	KBTU	TC	PI	KW	KBTU	TC	PI	KW	KBTU	TC	PI	KW	KBTU	TC	PI	KW	KBTU	TC	PI	KW	KBTU	TC	PI	KW	KBTU																																																																																																																																																																																																																																																																																																																																																										
	°F DB	°C DB	-22	-30	47.52	13.23	44.42	12.37	41.53	11.56	37.70	10.50	37.47	10.43	36.13	10.06	33.79	9.41	31.60	8.80	-13	-25	74.65	21.96	74.65	23.05	74.65	24.20	75.40	25.25	75.40	25.66	74.65	25.92	74.65	27.45	74.65	29.08	-4	-20	74.65	21.32	74.65	22.38	74.65	23.50	75.40	24.52	75.40	24.91	74.65	25.16	74.65	26.65	74.65	28.23	-2.2	-19	74.65	21.10	74.65	22.16	74.65	23.26	75.40	24.27	75.40	24.66	74.65	24.91	74.65	26.39	74.65	27.95	4.1	-15.5	74.65	20.11	74.65	21.11	74.65	22.16	75.40	23.12	75.40	23.49	74.65	24.18	74.65	25.49	74.65	26.87	12	-11.1	102.02	10.36	102.02	10.82	102.02	11.31	103.05	11.81	102.02	11.92	102.02	12.41	102.02	12.97	102.02	13.55	13.1	-10.5	110.73	9.29	110.73	9.70	110.73	10.13	111.85	10.50	110.73	10.76	110.73	10.94	110.73	11.38	110.73	11.85	15	-9.4	87.25	11.56	87.25	12.07	87.25	12.60	88.13	13.12	87.25	13.42	87.25	13.70	87.25	14.24	87.25	14.80	18	-7.8	111.97	13.06	111.97	13.39	111.97	13.74	113.10	14.49	111.97	14.70	111.97	14.92	111.97	15.60	111.97	16.32	21	-6.1	113.22	13.26	112.95	13.85	112.69	14.46	114.36	15.05	112.69	15.30	113.22	15.47	113.22	15.81	113.22	16.17	24	-4.4	117.05	14.01	115.75	14.60	114.46	15.20	115.62	15.81	113.82	16.07	113.80	15.47	113.54	15.05	113.27	14.65	28	-2.2	128.48	13.87	123.24	14.49	118.21	15.14	118.13	15.69	115.69	15.90	115.63	14.98	114.06	13.67	112.50	12.48	32	0	132.77	14.82	130.19	15.19	127.66	15.58	120.64	15.58	118.81	15.36	116.48	14.06	113.14	12.46	109.90	11.04	40	4.4	144.55	14.56	138.43	14.61	132.56	14.66	123.16	14.64	122.37	13.99	118.45	13.19	112.51	11.53	106.88	10.09	43	6.1	158.41	14.60	148.08	14.35	138.42	14.10	125.67	13.00	124.90	12.38	120.44	12.29	112.64	10.77	105.34	9.44	47	8.3	158.41	18.05	148.08	16.42	138.42	14.94	127.93	12.67	124.90	12.72	121.91	11.82	112.73	10.56	104.25	9.44	50	10	158.41	16.95	148.08	15.54	138.42	14.25	127.93	12.51	124.90	12.24	119.75	11.36	110.74	10.25	102.40	9.24	53	11.7	158.41	16.07	148.08	14.72	138.42	13.48	127.93	12.35	124.90	11.77	119.75	11.34	110.74	10.19	102.40	9.16	56	13.3	158.41	16.06	148.08	14.74	138.42	13.54	127.93	12.38	124.90	11.88	119.75	11.30	110.74	10.15	102.40	9.12	57	13.9	158.41	15.89	148.08	14.49	138.42	13.22	127.93	12.24	124.90	11.68	119.75	11.15	110.74	10.03	102.40	9.01	60	15.6	158.41	15.87	148.08	14.49	138.42	13.24	127.93	12.18	124.90	11.17	119.75	11.12	110.74	9.94	102.40	8.89

MVHQ240ME2CA
230v heating capacity

Combination	Outdoor Ambient Temperature °F DB / °C DB	Indoor Ambient Temperature °F WB(°C WB)																									
		59(15)			64(17.8)			68(20)			70(21.1)			72(22.2)			74(23.3)			75(23.9)			80(26.7)				
		TC	PI	KW	TC	PI	KW	TC	PI	KW	TC	PI	KW	TC	PI	KW	TC	PI	KW	TC	PI	KW	TC	PI	KW		
	-22	-30	94.01	25.90	87.88	24.62	82.15	23.41	74.58	21.52	74.12	21.69	71.48	21.09	66.85	20.06	62.51	19.08									
	-13	-25	191.16	41.09	178.69	40.10	167.04	39.14	151.64	36.63	150.72	37.62	145.34	37.02	135.92	35.98	127.11	34.98									
	-4	-20	222.49	40.00	207.98	39.03	194.42	38.09	176.50	35.65	175.43	36.61	169.16	36.04	158.20	35.03	147.95	34.04									
	-2.2	-19	225.63	38.96	210.91	38.02	197.16	37.10	178.99	34.73	177.90	35.66	171.55	35.10	160.43	34.12	150.04	33.16									
	4.1	-15.5	241.30	37.50	225.56	36.59	210.85	35.71	191.42	33.42	190.25	34.33	183.46	33.78	171.57	32.84	160.45	31.92									
	12	-11.1	244.43	31.58	228.49	30.82	213.59	30.07	193.91	28.15	192.72	28.91	185.84	28.45	173.80	27.65	162.54	26.88									
	13.1	-10.5	253.83	30.00	237.28	29.28	221.80	28.57	201.36	26.74	200.14	27.46	192.99	27.03	180.48	26.27	168.79	25.53									
	15	-9.4	172.60	18.54	172.60	19.36	172.60	20.21	174.34	21.05	172.60	21.53	172.60	21.97	172.60	22.84	172.60	23.73									
	18	-7.8	221.50	20.95	221.50	21.49	221.50	22.04	223.74	23.24	221.50	23.58	221.50	23.93	221.50	25.03	221.50	26.18									
	21	-6.1	223.96	21.27	223.45	22.22	222.93	23.20	226.22	24.15	222.93	24.54	223.96	24.81	223.96	25.37	223.96	25.94									
	24	-4.4	231.54	22.48	228.97	23.41	226.42	24.39	228.71	25.37	225.15	25.78	225.12	24.81	224.60	24.15	224.08	23.51									
	28	-2.2	254.16	22.26	243.78	23.25	233.83	24.29	233.68	25.17	228.86	25.50	228.75	24.03	225.63	21.94	222.55	20.02									
	32	0	262.64	23.77	257.54	24.37	252.54	25.00	238.65	25.00	235.03	24.64	230.42	22.56	223.82	19.99	217.40	17.71									
	40	4.4	285.95	23.36	273.84	23.44	262.24	23.52	243.63	23.49	242.07	22.44	234.32	21.16	222.57	18.50	211.42	16.18									
	43	6.1	313.37	23.41	292.93	23.02	273.83	22.63	248.60	20.86	247.08	19.86	238.26	19.72	222.82	17.28	208.38	15.15									
	47	8.3	313.37	28.95	292.93	26.34	273.83	23.97	253.07	20.33	247.08	20.41	241.16	18.96	223.01	16.95	206.22	15.15									
	50	10	313.37	27.19	292.93	24.94	273.83	22.87	253.07	20.07	247.08	19.64	236.89	18.23	219.06	16.44	202.57	14.82									
	53	11.7	313.37	25.78	292.93	23.61	273.83	21.62	253.07	19.80	247.08	18.89	236.89	18.20	219.06	16.35	202.57	14.70									
	56	13.3	313.37	25.76	292.93	23.65	273.83	21.72	253.07	19.86	247.08	19.06	236.89	18.13	219.06	16.29	202.57	14.63									
	57	13.9	313.37	25.48	292.93	23.25	273.83	21.21	253.07	19.64	247.08	18.73	236.89	17.89	219.06	16.08	202.57	14.46									
	60	15.6	313.37	25.46	292.93	23.25	273.83	21.23	253.07	19.53	247.08	17.92	236.89	17.84	219.06	15.95	202.57	14.26									

130%

Combination	Outdoor Ambient Temperature		Indoor Ambient Temperature °F WB(°CWB)																																																																																																																																																																																																																																																																																																																																																																																									
			59(15)						64(17.8)						68(20)						70(21.1)						72(22.2)						74(23.3)						75(23.9)						80(26.7)																																																																																																																																																																																																																																																																																																																																															
			TC	KBTU	PI	KW	TC	KBTU	PI	KW	TC	KBTU	PI	KW	TC	KBTU	PI	KW	TC	KBTU	PI	KW	TC	KBTU	PI	KW	TC	KBTU	PI	KW	TC	KBTU	PI	KW	TC	KBTU	PI	KW	TC	KBTU	PI	KW																																																																																																																																																																																																																																																																																																																																																		
	°F DB	°C DB	-22	-30	93.11	25.85	87.04	24.58	81.36	23.38	73.86	21.49	73.41	21.66	70.79	21.07	66.20	20.04	61.91	19.07	-13	-25	189.32	41.52	176.97	40.52	165.43	39.54	150.19	37.01	149.27	38.00	143.94	37.40	134.61	36.36	125.89	35.34	-4	-20	220.35	40.41	205.98	39.44	192.55	38.49	174.81	36.02	173.74	36.99	167.54	36.41	156.68	35.39	146.53	34.39	-2.2	-19	223.46	39.36	208.88	38.41	195.26	37.49	177.27	35.08	176.19	36.03	169.90	35.46	158.89	34.47	148.59	33.50	4.1	-15.5	238.98	37.89	223.39	36.97	208.82	36.08	189.58	33.77	188.42	34.68	181.69	34.13	169.92	33.17	158.91	32.24	12	-11.1	242.08	31.90	226.29	31.13	211.53	30.38	192.04	28.44	190.87	29.20	184.05	28.74	172.13	27.94	160.98	27.15	13.1	-10.5	251.39	30.31	234.99	29.58	219.67	28.86	199.43	27.02	198.21	27.74	191.13	27.30	178.75	26.54	167.17	25.80	15	-9.4	170.94	18.74	170.94	19.56	170.94	20.42	172.66	21.26	170.94	21.75	170.94	22.20	170.94	23.07	170.94	23.98	18	-7.8	219.37	21.16	219.37	21.71	219.37	22.27	221.59	23.48	219.37	23.83	219.37	24.18	219.37	25.29	219.37	26.45	21	-6.1	221.81	21.49	221.30	22.45	220.79	23.44	224.05	24.40	220.79	24.79	221.81	25.07	221.81	25.63	221.81	26.21	24	-4.4	229.31	22.71	226.76	23.66	224.25	24.64	226.51	25.63	222.99	26.04	222.95	25.07	222.44	24.40	221.92	23.75	28	-2.2	251.71	22.49	241.44	23.49	231.58	24.54	231.43	25.42	226.66	25.76	226.55	24.28	223.46	22.16	220.41	20.23	32	0	260.11	24.01	255.06	24.63	250.11	25.25	236.36	25.25	232.77	24.90	228.21	22.79	221.67	20.20	215.31	17.90	40	4.4	283.20	23.61	271.20	23.69	259.72	23.77	241.28	23.73	239.74	22.67	232.06	21.38	220.43	18.69	209.39	16.35	43	6.1	310.36	23.66	290.12	23.25	271.20	22.86	246.21	21.07	244.71	20.07	235.97	19.92	220.68	17.46	206.38	15.31	47	8.3	310.36	29.25	290.12	26.61	271.20	24.22	250.64	20.54	244.71	20.62	238.84	19.15	220.86	17.12	204.24	15.30	50	10	310.36	27.48	290.12	25.19	271.20	23.10	250.64	20.28	244.71	19.84	234.62	18.42	216.96	16.61	200.63	14.98	53	11.7	310.36	26.04	290.12	23.85	271.20	21.85	250.64	20.01	244.71	19.08	234.62	18.39	216.96	16.52	200.63	14.85	56	13.3	310.36	26.02	290.12	23.90	271.20	21.94	250.64	20.06	244.71	19.25	234.62	18.32	216.96	16.45	200.63	14.78	57	13.9	310.36	25.75	290.12	23.49	271.20	21.43	250.64	19.84	244.71	18.93	234.62	18.08	216.96	16.25	200.63	14.61	60	15.6	310.36	25.73	290.12	23.49	271.20	21.45	250.64	19.74	244.71	18.10	234.62	18.03	216.96	16.11	200.63	14.40

120%

Combination	Outdoor Ambient Temperature °F DB °C DB	Indoor Ambient Temperature °F WB(°C WB)																								
		59(15)			64(17.8)			68(20)			70(21.1)			72(22.2)			74(23.3)			75(23.9)			80(26.7)			
		TC	PI	KW	TC	PI	KW	TC	PI	KW	TC	PI	KW	TC	PI	KW	TC	PI	KW	TC	PI	KW	TC	PI	KW	
	-22	-30	91.30	25.64	85.35	24.39	79.78	23.21	72.43	21.34	71.99	21.51	69.42	20.93	64.92	19.91	60.71	18.95								
	-13	-25	185.64	41.94	173.54	40.93	162.22	39.94	147.27	37.39	146.37	38.39	141.14	37.79	132.00	36.73	123.45	35.70								
	-4	-20	216.08	40.82	201.98	39.84	188.81	38.88	171.41	36.39	170.37	37.37	164.28	36.78	153.64	35.75	143.68	34.75								
	-2.2	-19	219.12	39.76	204.83	38.80	191.47	37.87	173.83	35.44	172.77	36.40	166.60	35.82	155.80	34.82	145.71	33.84								
	4.1	-15.5	234.34	38.27	219.05	37.35	204.77	36.45	185.90	34.11	184.77	35.03	178.17	34.48	166.62	33.51	155.83	32.57								
	12	-11.1	237.38	32.23	221.90	31.45	207.43	30.69	188.31	28.73	187.17	29.50	180.48	29.04	168.79	28.22	157.85	27.43								
	13.1	-10.5	246.51	30.62	230.43	29.88	215.40	29.16	195.56	27.29	194.36	28.03	187.42	27.58	175.28	26.81	163.92	26.06								
	15	-9.4	167.62	18.93	167.62	19.76	167.62	20.63	169.31	21.48	167.62	21.97	167.62	22.43	167.62	23.31	167.62	24.22								
	18	-7.8	215.11	21.38	215.11	21.93	215.11	22.50	217.28	23.72	215.11	24.07	215.11	24.42	215.11	25.55	215.11	26.72								
	21	-6.1	217.50	21.71	217.00	22.68	216.50	23.68	219.70	24.65	216.50	25.04	217.50	25.32	217.50	25.89	217.50	26.47								
	24	-4.4	224.86	22.94	222.36	23.90	219.89	24.89	222.11	25.89	218.66	26.31	218.63	25.32	218.12	24.65	217.61	23.99								
	28	-2.2	246.82	22.72	236.75	23.73	227.09	24.79	226.94	25.68	222.26	26.03	222.15	24.53	219.12	22.39	216.13	20.43								
	32	0	255.06	24.26	250.11	24.88	245.25	25.51	231.77	25.51	228.25	25.15	223.78	23.03	217.36	20.40	211.13	18.08								
	40	4.4	277.70	23.85	265.94	23.93	254.67	24.01	236.60	23.98	235.08	22.90	227.56	21.59	216.15	18.88	205.32	16.51								
	43	6.1	304.33	23.90	284.48	23.49	265.93	23.09	241.43	21.29	239.96	20.27	231.39	20.13	216.39	17.64	202.37	15.46								
	47	8.3	304.33	29.55	284.48	26.89	265.93	24.46	245.77	20.75	239.96	20.83	234.20	19.35	216.57	17.30	200.27	15.46								
	50	10	304.33	27.76	284.48	25.45	265.93	23.34	245.77	20.49	239.96	20.05	230.06	18.61	212.74	16.78	196.73	15.13								
	53	11.7	304.33	26.31	284.48	24.10	265.93	22.07	245.77	20.21	239.96	19.28	230.06	18.57	212.74	16.69	196.73	15.00								
	56	13.3	304.33	26.29	284.48	24.14	265.93	22.17	245.77	20.26	239.96	19.45	230.06	18.50	212.74	16.62	196.73	14.93								
	57	13.9	304.33	26.01	284.48	23.73	265.93	21.64	245.77	20.04	239.96	19.12	230.06	18.26	212.74	16.42	196.73	14.76								
	60	15.6	304.33	25.99	284.48	23.73	265.93	21.67	245.77	19.94	239.96	18.29	230.06	18.21	212.74	16.28	196.73	14.55								

110%

Combination	Outdoor Ambient Temperature °F DB °C DB		Indoor Ambient Temperature °F WB(°C WB)																																			
			59(15)				64(17.8)				68(20)				70(21.1)				72(22.2)				74(23.3)				75(23.9)				80(26.7)							
			TC	PI	KW	KBTU	TC	PI	KW	KBTU	TC	PI	KW	KBTU	TC	PI	KW	KBTU	TC	PI	KW	KBTU	TC	PI	KW	KBTU	TC	PI	KW	KBTU	TC	PI	KW	KBTU				
	-22	-30	90.40	25.59	84.50	24.35	78.99	23.17	73.12	20.07	71.27	21.49	68.73	20.91	64.28	19.90	60.11	18.94																				
	-13	-25	183.80	42.37	171.82	41.34	160.61	40.35	146.55	30.68	144.92	38.78	139.75	38.17	130.69	37.10	122.22	36.06																				
	-4	-20	213.94	41.24	199.98	40.24	186.94	39.27	168.21	29.00	168.68	37.75	162.66	37.15	152.12	36.11	142.26	35.10																				
	-2.2	-19	216.95	40.16	202.80	39.20	189.57	38.25	168.72	28.75	171.06	36.77	164.95	36.18	154.26	35.17	144.26	34.18																				
	4.1	-15.5	232.02	38.66	216.88	37.73	202.74	36.82	192.47	28.21	182.94	35.39	176.40	34.83	164.97	33.85	154.28	32.90																				
	12	-11.1	235.03	32.55	219.70	31.77	205.37	31.00	187.39	25.87	185.31	29.80	178.69	29.33	167.12	28.51	156.29	27.71																				
	13.1	-10.5	244.07	30.93	228.15	30.18	213.27	29.45	194.59	24.57	192.44	28.31	185.57	27.86	173.54	27.08	162.30	26.32																				
	15	-9.4	165.96	19.12	165.96	19.96	165.96	20.84	168.55	19.35	165.96	22.19	165.96	22.65	165.96	23.54	165.96	24.47																				
	18	-7.8	212.98	21.59	212.98	22.15	212.98	22.72	215.13	23.96	212.98	24.31	212.98	24.67	212.98	25.80	212.98	26.99																				
	21	-6.1	215.35	21.93	214.85	22.90	214.36	23.92	217.52	24.90	214.36	25.30	215.35	25.58	215.35	26.15	215.35	26.74																				
	24	-4.4	222.63	23.17	220.16	24.14	217.71	25.15	219.91	26.15	216.49	26.57	216.46	25.58	215.96	24.90	215.46	24.24																				
	28	-2.2	244.38	22.95	234.41	23.97	224.84	25.04	224.69	25.94	220.05	26.29	219.95	24.78	216.95	22.61	213.99	20.64																				
	32	0	252.54	24.50	247.63	25.13	242.82	25.77	229.47	25.77	225.99	25.41	221.56	23.26	215.21	20.61	209.04	18.26																				
	40	4.4	274.95	24.09	263.30	24.17	252.15	24.25	234.25	24.22	232.76	23.14	225.30	21.81	214.01	19.07	203.29	16.68																				
	43	6.1	301.32	24.14	281.67	23.73	263.30	23.33	240.24	20.20	237.58	20.48	229.09	20.33	214.25	17.82	200.37	15.62																				
	47	8.3	301.32	29.85	281.67	27.16	263.30	24.71	243.34	20.96	237.58	21.04	231.88	19.55	214.43	17.47	198.29	15.62																				
	50	10	301.32	28.04	281.67	25.71	263.30	23.57	243.34	20.70	237.58	20.25	227.78	18.80	210.64	16.95	194.78	15.28																				
	53	11.7	301.32	26.57	281.67	24.34	263.30	22.29	243.34	20.42	237.58	19.47	227.78	18.76	210.64	16.86	194.78	15.15																				
	56	13.3	301.32	26.55	281.67	24.38	263.30	22.39	243.34	20.47	237.58	19.65	227.78	18.69	210.64	16.79	194.78	15.08																				
	57	13.9	301.32	26.27	281.67	23.97	263.30	21.86	243.34	20.24	237.58	19.31	227.78	18.45	210.64	16.58	194.78	14.90																				
	60	15.6	301.32	26.25	281.67	23.97	263.30	21.89	243.34	20.14	237.58	18.47	227.78	18.39	210.64	16.44	194.78	14.70																				

Combination	Outdoor Ambient Temperature °C DB		Indoor Ambient Temperature °F WB(°C WB)																																																																																																																																																																																																																																																																																																																																																																																							
			59(15)				64(17.8)				68(20)				70(21.1)				72(22.2)				74(23.3)				75(23.9)				80(26.7)																																																																																																																																																																																																																																																																																																																																																											
			TC	PI	KW	KBTU	TC	PI	KW	KBTU	TC	PI	KW	KBTU	TC	PI	KW	KBTU	TC	PI	KW	KBTU	TC	PI	KW	KBTU	TC	PI	KW	KBTU	TC	PI	KW	KBTU																																																																																																																																																																																																																																																																																																																																																								
	-22	-30	83.16	23.44	77.74	22.30	72.67	21.22	65.97	19.52	65.57	19.67	63.23	19.14	59.13	18.21	55.30	17.34	-13	-25	169.10	38.55	158.07	37.62	147.76	36.72	134.15	34.36	133.33	35.29	128.57	34.73	120.24	33.76	112.45	32.81	-4	-20	196.82	37.52	183.98	36.62	171.99	35.74	156.14	33.45	155.19	34.35	149.64	33.81	139.95	32.86	130.88	31.94	-2.2	-19	199.59	36.55	186.58	35.67	174.41	34.81	158.34	32.58	157.37	33.46	151.75	32.93	141.92	32.01	132.72	31.11	4.1	-15.5	213.45	35.18	199.53	34.33	186.52	33.50	169.33	31.36	168.30	32.20	162.29	31.69	151.77	30.80	141.94	29.94	12	-11.1	216.23	29.62	202.12	28.91	188.94	28.21	171.53	26.41	170.49	27.12	164.40	26.69	153.75	25.94	143.78	25.21	13.1	-10.5	224.54	28.14	209.90	27.47	196.21	26.80	178.13	25.09	177.04	25.76	170.72	25.35	159.66	24.64	149.31	23.95	15	-9.4	152.68	17.40	152.68	18.16	152.68	18.96	154.22	19.74	152.68	20.20	152.68	20.61	152.68	21.42	152.68	22.27	18	-7.8	195.94	19.65	195.94	20.16	195.94	20.68	197.92	21.80	195.94	22.13	195.94	22.45	195.94	23.48	195.94	24.56	21	-6.1	198.12	19.96	197.66	20.84	197.21	21.77	200.12	22.66	197.21	23.02	198.12	23.28	198.12	23.80	198.12	24.33	24	-4.4	204.82	21.09	202.55	21.97	200.30	22.88	202.32	23.80	199.17	24.18	199.14	23.28	198.68	22.66	198.22	22.05	28	-2.2	224.83	20.88	215.65	21.81	206.85	22.79	206.72	23.61	202.45	23.92	202.35	22.55	199.59	20.58	196.87	18.78	32	0	232.33	22.30	227.82	22.87	223.40	23.45	211.12	23.45	207.92	23.12	203.84	21.17	197.99	18.75	192.32	16.62	40	4.4	252.96	21.92	242.24	21.99	231.98	22.07	215.51	22.04	214.14	21.05	207.28	19.85	196.89	17.36	187.03	15.18	43	6.1	277.21	21.97	259.13	21.59	242.23	21.23	219.91	19.57	218.57	18.64	210.77	18.50	197.11	16.22	184.34	14.21	47	8.3	277.21	27.16	259.13	24.71	242.23	22.49	223.87	19.07	218.57	19.15	213.33	17.79	197.28	15.90	182.43	14.21	50	10	277.21	25.51	259.13	23.39	242.23	21.45	223.87	18.83	218.57	18.43	209.56	17.10	193.79	15.42	179.20	13.91	53	11.7	277.21	24.18	259.13	22.15	242.23	20.29	223.87	18.58	218.57	17.72	209.56	17.07	193.79	15.34	179.20	13.79	56	13.3	277.21	24.16	259.13	22.19	242.23	20.38	223.87	18.63	218.57	17.88	209.56	17.01	193.79	15.28	179.20	13.73	57	13.9	277.21	23.91	259.13	21.81	242.23	19.90	223.87	18.42	218.57	17.57	209.56	16.79	193.79	15.09	179.20	13.56	60	15.6	277.21	23.89	259.13	21.81	242.23	19.92	223.87	18.33	218.57	16.81	209.56	16.74	193.79	14.96	179.20	13.37

Combination	Outdoor Ambient Temperature °F DB °C DB	Indoor Ambient Temperature °F WB(°C WB)																								
		59(15)			64(17.8)			68(20)			70(21.1)			72(22.2)			74(23.3)			75(23.9)			80(26.7)			
		TC	PI	KW	TC	PI	KW	TC	PI	KW	TC	PI	KW	TC	PI	KW	TC	PI	KW	TC	PI	KW	TC	PI	KW	
	-22	-30	73.22	19.98	68.45	18.99	63.98	18.06	58.09	16.59	57.73	16.72	55.67	16.26	52.06	15.46	48.69	14.70								
	-13	-25	148.88	31.23	139.17	30.47	130.10	29.74	118.11	27.83	117.39	28.58	113.20	28.13	105.86	27.34	99.00	26.58								
	-4	-20	173.29	30.39	161.99	29.66	151.42	28.95	137.47	27.09	136.63	27.82	131.75	27.38	123.22	26.62	115.23	25.87								
	-2.2	-19	175.73	29.61	164.27	28.89	153.56	28.20	139.41	26.39	138.56	27.10	133.61	26.67	124.95	25.92	116.85	25.20								
	4.1	-15.5	187.93	28.50	175.68	27.81	164.22	27.14	149.09	25.40	148.18	26.08	142.89	25.67	133.63	24.95	124.97	24.25								
	12	-11.1	190.37	24.00	177.96	23.42	166.35	22.85	151.02	21.39	150.10	21.97	144.74	21.62	135.36	21.01	126.59	20.42								
	13.1	-10.5	197.69	22.80	184.80	22.25	172.75	21.71	156.83	20.32	155.88	20.87	150.31	20.54	140.57	19.96	131.46	19.40								
	15	-9.4	134.43	14.09	134.43	14.71	134.43	15.36	135.78	15.99	134.43	16.36	134.43	16.70	134.43	17.35	134.43	18.04								
	18	-7.8	172.51	15.92	172.51	16.33	172.51	16.75	174.26	17.66	172.51	17.92	172.51	18.19	172.51	19.02	172.51	19.89								
	21	-6.1	174.43	16.17	174.03	16.88	173.63	17.63	176.19	18.35	173.63	18.65	174.43	18.85	174.43	19.28	174.43	19.71								
	24	-4.4	180.33	17.08	178.33	17.79	176.35	18.53	178.13	19.28	175.36	19.59	175.33	18.85	174.93	18.35	174.52	17.86								
80%	28	-2.2	197.95	16.91	189.87	17.67	182.12	18.46	182.00	19.12	178.24	19.38	178.16	18.26	175.73	16.67	173.33	15.21								
	32	0	204.55	18.06	200.58	18.52	196.69	18.99	185.87	18.99	183.06	18.73	179.46	17.14	174.32	15.19	169.32	13.46								
	40	4.4	222.71	17.75	213.28	17.81	204.24	17.88	189.75	17.85	188.53	17.05	182.50	16.08	173.35	14.06	164.66	12.30								
	43	6.1	244.07	17.79	228.15	17.49	213.27	17.19	193.62	15.85	192.44	15.09	185.57	14.98	173.54	13.13	162.30	11.51								
	47	8.3	244.07	22.00	228.15	20.02	213.27	18.21	197.10	15.45	192.44	15.51	187.83	14.41	173.69	12.88	160.61	11.51								
	50	10	244.07	20.67	228.15	18.95	213.27	17.38	197.10	15.25	192.44	14.93	184.50	13.85	170.62	12.49	157.77	11.26								
	53	11.7	244.07	19.59	228.15	17.94	213.27	16.43	197.10	15.05	192.44	14.35	184.50	13.83	170.62	12.43	157.77	11.17								
	56	13.3	244.07	19.57	228.15	17.97	213.27	16.51	197.10	15.09	192.44	14.48	184.50	13.78	170.62	12.38	157.77	11.12								
	57	13.9	244.07	19.37	228.15	17.67	213.27	16.12	197.10	14.92	192.44	14.23	184.50	13.60	170.62	12.22	157.77	10.99								
	60	15.6	244.07	19.35	228.15	17.67	213.27	16.13	197.10	14.84	192.44	13.62	184.50	13.56	170.62	12.12	157.77	10.83								

Combination	Outdoor Ambient Temperature °F DB / °C DB	Indoor Ambient Temperature °F WB(°C WB)																
		59(15)		64(17.8)		68(20)		70(21.1)		72(22.2)		74(23.3)		75(23.9)		80(26.7)		
		TC	PI	TC	PI	TC	PI	TC	PI	TC	PI	TC	PI	TC	PI	TC	PI	
	°F DB	KBTU	KW	KBTU	KW	KBTU	KW	KBTU	KW	KBTU	KW	KBTU	KW	KBTU	KW	KBTU	KW	
	-22	-30	63.28	17.92	59.15	17.04	55.29	16.22	50.20	14.92	49.89	15.04	48.11	14.64	44.99	13.93	42.08	13.26
	-13	-25	128.66	29.66	120.27	28.94	112.43	28.24	102.07	26.43	101.45	27.15	97.82	26.72	91.48	25.97	85.56	25.24
	-4	-20	149.76	28.87	139.99	28.17	130.86	27.49	118.80	25.73	118.08	26.42	113.86	26.00	106.48	25.28	99.58	24.57
	-2.2	-19	151.86	28.12	141.96	27.44	132.70	26.78	120.47	25.06	119.74	25.74	115.46	25.33	107.98	24.62	100.99	23.93
	4.1	-15.5	162.41	27.06	151.82	26.41	141.92	25.77	128.84	24.12	128.06	24.77	123.48	24.38	115.48	23.70	108.00	23.03
	12	-11.1	164.52	22.79	153.79	22.24	143.76	21.70	130.51	20.31	129.72	20.86	125.09	20.53	116.98	19.95	109.40	19.40
	13.1	-10.5	170.85	21.65	159.71	21.13	149.29	20.62	135.53	19.30	134.71	19.82	129.90	19.50	121.48	18.96	113.61	18.43
	15	-9.4	116.17	13.38	116.17	13.97	116.17	14.59	117.34	15.19	116.17	15.54	116.17	15.86	116.17	16.48	116.17	17.13
	18	-7.8	149.09	15.11	149.09	15.51	149.09	15.91	150.59	16.77	149.09	17.02	149.09	17.27	149.09	18.06	149.09	18.89
	21	-6.1	150.74	15.35	150.40	16.03	150.05	16.74	152.27	17.43	150.05	17.71	150.74	17.90	150.74	18.31	150.74	18.72
	24	-4.4	155.84	16.22	154.11	16.90	152.40	17.60	153.94	18.31	151.54	18.60	151.52	17.90	151.17	17.43	150.82	16.97
	28	-2.2	171.07	16.06	164.08	16.78	157.39	17.53	157.29	18.16	154.04	18.40	153.96	17.34	151.86	15.83	149.79	14.45
	32	0	176.78	17.15	173.34	17.59	169.98	18.04	160.63	18.04	158.20	17.78	155.09	16.28	150.65	14.43	146.33	12.78
	40	4.4	192.47	16.86	184.31	16.92	176.51	16.98	163.98	16.95	162.93	16.20	157.71	15.27	149.81	13.35	142.30	11.68
	43	6.1	210.92	16.90	197.17	16.61	184.31	16.33	167.32	15.05	166.31	14.33	160.37	14.23	149.98	12.47	140.26	10.93
	47	8.3	210.92	20.89	197.17	19.01	184.31	17.30	170.34	14.67	166.31	14.73	162.32	13.68	150.10	12.23	138.80	10.93
	50	10	210.92	19.63	197.17	18.00	184.31	16.50	170.34	14.49	166.31	14.17	159.45	13.16	147.45	11.86	136.35	10.70
	53	11.7	210.92	18.60	197.17	17.04	184.31	15.60	170.34	14.29	166.31	13.63	159.45	13.13	147.45	11.80	136.35	10.61
	56	13.3	210.92	18.59	197.17	17.07	184.31	15.67	170.34	14.33	166.31	13.75	159.45	13.08	147.45	11.75	136.35	10.56
	57	13.9	210.92	18.39	197.17	16.78	184.31	15.30	170.34	14.17	166.31	13.52	159.45	12.91	147.45	11.61	136.35	10.43
	60	15.6	210.92	18.38	197.17	16.78	184.31	15.32	170.34	14.10	166.31	12.93	159.45	12.88	147.45	11.51	136.35	10.29

Combination	Outdoor Ambient Temperature		Indoor Ambient Temperature °F WB(°C WB)																																																																																																																																																																																																																																																																																																																																																																																									
			59(15)						64(17.8)						68(20)						70(21.1)						72(22.2)						74(23.3)						75(23.9)						80(26.7)																																																																																																																																																																																																																																																																																																																																															
			TC	PI	KW	KBTU	TC	PI	KW	KBTU	TC	PI	KW	KBTU	TC	PI	KW	KBTU	TC	PI	KW	KBTU	TC	PI	KW	KBTU	TC	PI	KW	KBTU	TC	PI	KW	KBTU	TC	PI	KW	KBTU																																																																																																																																																																																																																																																																																																																																																						
	°F DB	°C DB	-22	-30	56.95	16.02	53.24	15.24	49.76	14.50	45.18	13.34	44.90	13.44	43.30	13.08	40.49	12.44	37.87	11.84	-13	-25	115.80	26.27	108.24	25.63	101.19	25.02	91.86	23.41	91.30	24.04	88.04	23.66	82.34	23.00	77.00	22.36	-4	-20	134.78	25.57	125.99	24.95	117.77	24.35	106.92	22.79	106.27	23.40	102.47	23.03	95.83	22.39	89.62	21.76	-2.2	-19	136.68	24.90	127.76	24.30	119.43	23.72	108.43	22.20	107.77	22.79	103.92	22.43	97.18	21.81	90.89	21.19	4.1	-15.5	146.17	23.97	136.64	23.39	127.73	22.83	115.96	21.36	115.25	21.94	111.13	21.59	103.93	20.99	97.20	20.40	12	-11.1	148.07	20.18	138.41	19.70	129.38	19.22	117.46	17.99	116.75	18.48	112.58	18.18	105.28	17.67	98.46	17.18	13.1	-10.5	153.76	19.17	143.73	18.71	134.36	18.26	121.98	17.09	121.24	17.55	116.91	17.27	109.33	16.79	102.25	16.32	15	-9.4	104.55	11.85	104.55	12.37	104.55	12.92	105.61	13.45	104.55	13.76	104.55	14.04	104.55	14.60	104.55	15.17	18	-7.8	134.18	13.39	134.18	13.73	134.18	14.09	135.53	14.85	134.18	15.07	134.18	15.30	134.18	16.00	134.18	16.73	21	-6.1	135.67	13.60	135.36	14.20	135.04	14.83	137.04	15.44	135.04	15.68	135.67	15.86	135.67	16.21	135.67	16.58	24	-4.4	140.26	14.37	138.70	14.97	137.16	15.59	138.55	16.21	136.39	16.48	136.37	15.86	136.05	15.44	135.74	15.03	28	-2.2	153.96	14.23	147.68	14.86	141.65	15.53	141.56	16.09	138.63	16.30	138.57	15.36	136.68	14.02	134.81	12.80	32	0	159.10	15.19	156.01	15.58	152.98	15.98	144.57	15.98	142.38	15.75	139.58	14.42	135.58	12.78	131.70	11.32	40	4.4	173.22	14.93	165.88	14.98	158.86	15.04	147.58	15.01	146.64	14.34	141.94	13.52	134.83	11.83	128.07	10.34	43	6.1	189.83	14.97	177.45	14.71	165.88	14.46	150.59	13.33	149.68	12.70	144.33	12.60	134.98	11.05	126.23	9.68	47	8.3	189.83	18.50	177.45	16.84	165.88	15.32	153.30	12.99	149.68	13.04	146.09	12.12	135.09	10.83	124.92	9.68	50	10	189.83	17.38	177.45	15.94	165.88	14.61	153.30	12.83	149.68	12.55	143.50	11.65	132.70	10.51	122.71	9.47	53	11.7	189.83	16.48	177.45	15.09	165.88	13.82	153.30	12.66	149.68	12.07	143.50	11.63	132.70	10.45	122.71	9.39	56	13.3	189.83	16.46	177.45	15.12	165.88	13.88	153.30	12.69	149.68	12.18	143.50	11.59	132.70	10.41	122.71	9.35	57	13.9	189.83	16.29	177.45	14.86	165.88	13.56	153.30	12.55	149.68	11.97	143.50	11.44	132.70	10.28	122.71	9.24	60	15.6	189.83	16.28	177.45	14.86	165.88	13.57	153.30	12.49	149.68	11.45	143.50	11.40	132.70	10.19	122.71	9.11

Combination	Outdoor Ambient Temperature °F DB °C DB	Indoor Ambient Temperature °F WB(°C WB)																		
		59(15)		64(17.8)		68(20)		70(21.1)		72(22.2)		74(23.3)		75(23.9)		80(26.7)				
		TC	PI	KBTU	kW	TC	PI	KBTU	kW	TC	PI	KBTU	kW	TC	PI	KBTU	kW	TC	PI	KBTU
	-22	-30	48.81	14.95	45.63	14.25	42.65	13.59	38.72	12.52	38.49	12.64	37.11	12.31	34.71	11.74	32.46	11.19		
	-13	-25	99.25	27.54	92.78	26.87	86.73	26.23	78.74	24.55	78.26	25.21	75.46	24.81	70.57	24.11	66.00	23.44		
	-4	-20	115.53	26.80	107.99	26.16	100.95	25.53	91.65	23.89	91.09	24.53	87.83	24.15	82.14	23.47	76.82	22.81		
	-2.2	-19	117.15	26.11	109.51	25.48	102.37	24.86	92.94	23.27	92.37	23.90	89.07	23.52	83.30	22.86	77.90	22.22		
	4.1	-15.5	125.29	25.13	117.12	24.52	109.48	23.93	99.39	22.40	98.79	23.00	95.26	22.64	89.09	22.00	83.31	21.39		
	12	-11.1	126.92	21.16	118.64	20.65	110.90	20.15	100.68	18.86	100.07	19.37	96.49	19.06	90.24	18.53	84.39	18.01		
	13.1	-10.5	131.80	20.10	123.20	19.62	115.17	19.15	104.55	17.92	103.92	18.40	100.21	18.11	93.71	17.60	87.64	17.11		
	15	-9.4	89.62	12.43	89.62	12.97	89.62	13.54	90.52	14.10	89.62	14.43	89.62	14.72	89.62	15.30	89.62	15.90		
	18	-7.8	115.01	14.04	115.01	14.40	115.01	14.77	116.17	15.57	115.01	15.80	115.01	16.04	115.01	16.77	115.01	17.54		
	21	-6.1	116.29	14.26	116.02	14.89	115.75	15.55	117.46	16.18	115.75	16.44	116.29	16.63	116.29	17.00	116.29	17.38		
	24	-4.4	120.22	15.06	118.89	15.69	117.57	16.34	118.75	17.00	116.90	17.27	116.89	16.63	116.62	16.18	116.35	15.75		
	28	-2.2	131.97	14.91	126.58	15.58	121.41	16.28	121.33	16.86	118.83	17.09	118.77	16.10	117.15	14.70	115.55	13.42		
	32	0	136.37	15.93	133.72	16.33	131.13	16.75	123.92	16.75	122.04	16.51	119.64	15.12	116.21	13.40	112.88	11.87		
	40	4.4	148.47	15.66	142.18	15.71	136.16	15.76	126.50	15.74	125.69	15.04	121.66	14.18	115.57	12.40	109.78	10.84		
	43	6.1	162.71	15.69	152.10	15.42	142.18	15.16	129.08	13.98	128.29	13.31	123.71	13.21	115.70	11.58	108.20	10.15		
	47	8.3	162.71	19.40	152.10	17.65	142.18	16.06	131.40	13.62	128.29	13.68	125.22	12.70	115.79	11.36	107.08	10.15		
	50	10	162.71	18.22	152.10	16.71	142.18	15.32	131.40	13.45	128.29	13.16	123.00	12.22	113.74	11.02	105.18	9.93		
	53	11.7	162.71	17.27	152.10	15.82	142.18	14.49	131.40	13.27	128.29	12.66	123.00	12.19	113.74	10.96	105.18	9.85		
	56	13.3	162.71	17.26	152.10	15.85	142.18	14.55	131.40	13.30	128.29	12.77	123.00	12.15	113.74	10.91	105.18	9.80		
	57	13.9	162.71	17.08	152.10	15.58	142.18	14.21	131.40	13.16	128.29	12.55	123.00	11.99	113.74	10.78	105.18	9.69		
	60	15.6	162.71	17.06	152.10	15.58	142.18	14.23	131.40	13.09	128.29	12.01	123.00	11.96	113.74	10.69	105.18	9.55		

Combination	Outdoor Ambient Temperature		Indoor Ambient Temperature of WB(oC WB)																																																																																																																																																																																																																																																																																																																																																																																																																																																																																																																															
			57(13.9)				61(16.1)				64(17.8)				67(19.4)				70(21.1)				72(22.2)				75 (23.9)																																																																																																																																																																																																																																																																																																																																																																																																																																																																																																							
			TC	PI	KBTU	kW	TC	PI	KBTU	kW	TC	PI	KBTU	kW	TC	PI	KBTU	kW	TC	PI	KBTU	kW	TC	PI	KBTU	kW	TC	PI	KBTU	kW																																																																																																																																																																																																																																																																																																																																																																																																																																																																																																				
	°F DB	°C DB	-4	-20	244.57	14.88	259.86	15.75	275.14	16.63	305.71	17.50	336.28	20.13	351.57	21.00	366.85	21.88	5	-15	237.45	15.03	252.29	15.91	267.13	16.80	296.81	17.68	326.49	20.33	341.33	21.22	356.17	22.10	14	-10	230.53	15.33	244.94	16.24	259.35	17.14	288.16	18.04	316.98	20.75	331.39	21.65	345.80	22.55	23	-5	223.82	15.65	237.80	16.57	251.79	17.49	279.77	18.41	307.75	21.17	321.74	22.09	335.72	23.01	32	0	219.43	15.97	233.14	16.91	246.86	17.85	274.28	18.78	301.71	21.60	315.43	22.54	329.14	23.48	41	5	215.12	16.29	228.57	17.25	242.02	18.21	268.91	19.17	295.80	22.04	309.24	23.00	322.69	23.96	50	10	210.91	16.63	224.09	17.60	237.27	18.58	263.63	19.56	290.00	22.49	303.18	23.47	316.36	24.45	65	18.3	206.77	16.96	219.69	17.96	232.62	18.96	258.46	19.96	284.31	22.95	297.23	23.95	310.16	24.95	75	23.8	202.72	17.31	215.39	18.33	228.06	19.35	253.40	20.37	278.74	23.42	291.41	24.44	304.08	25.46	77	25	198.74	17.66	211.16	18.70	223.58	19.74	248.43	20.78	273.27	23.90	285.69	24.94	298.11	25.98	85	29.4	194.85	18.02	207.02	19.09	219.20	20.15	243.56	21.21	267.91	24.39	280.09	25.45	292.27	26.51	95	35	191.02	18.21	202.96	19.28	214.90	20.35	238.78	21.42	262.66	24.63	274.60	25.70	286.54	26.78	105	41	181.47	19.17	192.82	20.29	204.16	21.42	226.84	22.55	249.53	25.93	260.87	27.06	272.21	28.18	109	42.7	171.92	20.23	182.67	21.42	193.41	22.61	214.90	23.80	236.39	27.37	247.14	28.56	257.88	29.75	115	46	163.62	20.73	173.84	21.95	184.07	23.17	204.52	24.39	224.97	28.04	235.20	29.26	245.43	30.48	122	50	133.72	22.76	142.07	24.10	150.43	25.44	167.15	26.78	183.86	30.79	192.22	32.13	200.58	33.47	-4	-20	240.00	14.73	255.00	15.60	270.00	16.47	300.00	17.33	330.00	19.93	345.00	20.80	360.00	21.66	5	-15	233.01	14.88	247.57	15.76	262.13	16.63	291.26	17.51	320.39	20.13	334.95	21.01	349.51	21.88	14	-10	226.22	15.18	240.36	16.08	254.50	16.97	282.78	17.86	311.05	20.54	325.19	21.44	339.33	22.33	23	-5	219.63	15.49	233.36	16.41	247.09	17.32	274.54	18.23	301.99	20.96	315.72	21.87	329.45	22.79	32	0	215.33	15.81	228.78	16.74	242.24	17.67	269.16	18.60	296.07	21.39	309.53	22.32	322.99	23.25	41	5	211.10	16.13	224.30	17.08	237.49	18.03	263.88	18.98	290.27	21.83	303.46	22.78	316.66	23.73	50	10	206.96	16.46	219.90	17.43	232.84	18.40	258.71	19.37	284.58	22.27	297.51	23.24	310.45	24.21	65	18.3	202.91	16.80	215.59	17.79	228.27	18.77	253.63	19.76	279.00	22.73	291.68	23.72	304.36	24.70	75	23.8	198.93	17.14	211.36	18.15	223.79	19.16	248.66	20.17	273.53	23.19	285.96	24.20	298.39	25.21	77	25	195.03	17.49	207.22	18.52	219.41	19.55	243.78	20.58	268.16	23.66	280.35	24.69	292.54	25.72	85	29.4	191.20	17.85	203.15	18.90	215.10	19.95	239.00	21.00	262.90	24.15	274.85	25.20	286.80	26.25	95	35	187.45	18.03	199.17	19.09	210.89	20.15	234.32	21.21	257.75	24.39	269.47	25.45	281.18	26.51	105	41	178.08	18.98	189.21	20.09	200.34	21.21	222.60	22.33	244.86	25.68	255.99	26.79	267.12	27.91	109	42.7	168.71	20.03	179.25	21.21	189.80	22.39	210.89	23.57	231.97	27.10	242.52	28.28	253.06	29.46	115	46	157.32	20.53	167.16	21.73	176.99	22.94	196.65	24.15	216.32	27.77	226.15	28.98	235.99	30.18	122	50	131.22	22.54	139.42	23.86	147.62	25.19	164.02	26.51	180.42	30.49	188.63	31.82	196.83	33.14

130%

120%

Combination	Outdoor Ambient Temperature		Indoor Ambient Temperature of WB(oC WB)																						
	°F DB	°C DB	57(13.9)			61(16.1)			64(17.8)			67(19.4)			70(21.1)			72(22.2)			75 (23.9)				
			TC	PI	KWTU	TC	PI	KWTU	TC	PI	KWTU	TC	PI	KWTU	TC	PI	KWTU	TC	PI	KWTU	TC	PI	KWTU		
110%	-4	-20	235.43	14.73	250.14	15.60	264.86	16.47	294.28	17.33	323.71	19.93	338.43	20.80	353.14	21.66									
	5	-15	228.57	14.88	242.86	15.76	257.14	16.63	285.71	17.51	314.28	20.13	328.57	21.01	342.85	21.88									
	14	-10	221.91	15.18	235.78	16.08	249.65	16.97	277.39	17.86	305.13	20.54	319.00	21.44	332.87	22.33									
	23	-5	215.45	15.49	228.91	16.41	242.38	17.32	269.31	18.23	296.24	20.96	309.71	21.87	323.17	22.79									
	32	0	211.22	15.81	224.43	16.74	237.63	17.67	264.03	18.60	290.43	21.39	303.64	22.32	316.84	23.25									
	41	5	207.08	16.13	220.03	17.08	232.97	18.03	258.85	18.98	284.74	21.83	297.68	22.78	310.62	23.73									
	50	10	203.02	16.46	215.71	17.43	228.40	18.40	253.78	19.37	279.16	22.27	291.84	23.24	304.53	24.21									
	65	18.3	199.04	16.80	211.48	17.79	223.92	18.77	248.80	19.76	273.68	22.73	286.12	23.72	298.56	24.70									
	75	23.8	195.14	17.14	207.33	18.15	219.53	19.16	243.92	20.17	268.32	23.19	280.51	24.20	292.71	25.21									
	77	25	191.31	17.49	203.27	18.52	215.23	19.55	239.14	20.58	263.05	23.66	275.01	24.69	286.97	25.72									
	85	29.4	187.56	17.85	199.28	18.90	211.01	19.95	234.45	21.00	257.90	24.15	269.62	25.20	281.34	26.25									
	95	35	183.88	18.03	195.38	19.09	206.87	20.15	229.85	21.21	252.84	24.39	264.33	25.45	275.83	26.51									
	105	41	174.69	18.98	185.61	20.09	196.53	21.21	218.36	22.33	240.20	25.68	251.12	26.79	262.03	27.91									
109	42.7	165.50	20.03	175.84	21.21	186.18	22.39	206.87	23.57	227.56	27.10	237.90	28.28	248.24	29.46										
115	46	154.33	20.53	163.97	21.73	173.62	22.94	192.91	24.15	212.20	27.77	221.85	28.98	231.49	30.18										
122	50	128.72	22.54	136.76	23.86	144.81	25.19	160.90	26.51	176.99	30.49	185.03	31.82	193.08	33.14										
100%	-4	-20	228.57	14.59	242.86	15.44	257.14	16.30	285.71	17.16	314.28	19.73	328.57	20.59	342.85	21.45									
	5	-15	221.91	14.73	235.78	15.60	249.65	16.47	277.39	17.33	305.13	19.93	319.00	20.80	332.87	21.67									
	14	-10	215.45	15.03	228.91	15.92	242.38	16.80	269.31	17.69	296.24	20.34	309.71	21.22	323.17	22.11									
	23	-5	209.17	15.34	222.25	16.24	235.32	17.15	261.47	18.05	287.61	20.76	300.69	21.66	313.76	22.56									
	32	0	205.07	15.65	217.89	16.57	230.71	17.50	256.34	18.42	281.97	21.18	294.79	22.10	307.61	23.02									
	41	5	201.05	15.97	213.62	16.91	226.18	17.85	251.31	18.79	276.45	21.61	289.01	22.55	301.58	23.49									
	50	10	197.11	16.30	209.43	17.26	221.75	18.22	246.39	19.18	271.02	22.05	283.34	23.01	295.66	23.97									
	65	18.3	193.24	16.63	205.32	17.61	217.40	18.59	241.56	19.57	265.71	22.50	277.79	23.48	289.87	24.46									
	75	23.9	189.46	16.97	201.30	17.97	213.14	18.97	236.82	19.97	260.50	22.96	272.34	23.96	284.18	24.96									
	77	25	185.74	17.32	197.35	18.34	208.96	19.36	232.18	20.37	255.39	23.43	267.00	24.45	278.61	25.47									
	85	29.4	182.10	17.67	193.48	18.71	204.86	19.75	227.62	20.79	250.39	23.91	261.77	24.95	273.15	25.99									
	95	35	178.53	17.85	189.69	18.90	200.84	19.95	223.16	21.00	245.48	24.15	256.63	25.20	267.79	26.25									
105	40.6	169.60	18.79	180.20	19.89	190.80	21.00	212.00	22.11	233.20	25.42	243.80	26.53	254.40	27.63										
109	42.8	160.67	19.83	170.72	21.00	180.76	22.17	200.84	23.33	220.93	26.83	230.97	28.00	241.01	29.17										
115	46.1	149.83	20.32	159.20	21.52	168.56	22.71	187.29	23.91	206.02	27.49	215.38	28.69	224.75	29.89										
122	50	124.97	22.31	132.78	23.63	140.59	24.94	156.21	26.25	171.83	30.19	179.64	31.50	187.45	32.81										

Combination	Outdoor Ambient Temperature		Indoor Ambient Temperature of WB(oC WB)																																																																																																																																																																																																																																																																																																																																																																																																																																																																																																																															
			57(13.9)				61(16.1)				64(17.8)				67(19.4)				70(21.1)				72(22.2)				75 (23.9)																																																																																																																																																																																																																																																																																																																																																																																																																																																																																																							
			TC	PI	KBTU	kW	TC	PI	KBTU	kW	TC	PI	KBTU	kW	TC	PI	KBTU	kW	TC	PI	KBTU	kW	TC	PI	KBTU	kW	TC	PI	KBTU	kW																																																																																																																																																																																																																																																																																																																																																																																																																																																																																																				
	°F DB	°C DB	-4	-20	205.71	12.11	218.57	12.82	231.43	13.53	257.14	14.24	282.86	16.38	295.71	17.09	308.57	17.80	5	-15	199.72	12.23	212.20	12.95	224.69	13.67	249.65	14.39	274.62	16.54	287.10	17.26	299.58	17.98	14	-10	193.90	12.48	206.02	13.21	218.14	13.95	242.38	14.68	266.62	16.88	278.74	17.62	290.86	18.35	23	-5	188.26	12.73	200.02	13.48	211.79	14.23	235.32	14.98	258.85	17.23	270.62	17.98	282.38	18.73	32	0	184.57	12.99	196.10	13.76	207.64	14.52	230.71	15.29	253.78	17.58	265.31	18.34	276.85	19.11	41	5	180.95	13.26	192.26	14.04	203.56	14.82	226.18	15.60	248.80	17.94	260.11	18.72	271.42	19.50	50	10	177.40	13.53	188.49	14.32	199.57	15.12	221.75	15.92	243.92	18.30	255.01	19.10	266.10	19.90	65	18.3	173.92	13.80	184.79	14.62	195.66	15.43	217.40	16.24	239.14	18.68	250.01	19.49	260.88	20.30	75	23.8	170.51	14.09	181.17	14.92	191.82	15.74	213.14	16.57	234.45	19.06	245.11	19.89	255.76	20.72	77	25	167.17	14.37	177.61	15.22	188.06	16.07	208.96	16.91	229.85	19.45	240.30	20.29	250.75	21.14	85	29.4	163.89	14.67	174.13	15.53	184.37	16.39	204.86	17.26	225.35	19.84	235.59	20.71	245.83	21.57	95	35	160.67	14.82	170.72	15.69	180.76	16.56	200.84	17.43	220.93	20.04	230.97	20.92	241.01	21.79	105	41	152.64	15.60	162.18	16.51	171.72	17.43	190.80	18.35	209.88	21.10	219.42	22.02	228.96	22.93	109	42.7	144.61	16.46	153.65	17.43	162.68	18.40	180.76	19.37	198.84	22.27	207.87	23.24	216.91	24.21	115	46	139.34	16.26	148.05	17.21	156.76	18.17	174.18	19.13	191.60	22.00	200.31	22.95	209.02	23.91	122	50	112.47	18.52	119.50	19.61	126.53	20.70	140.59	21.79	154.65	25.06	161.68	26.15	168.71	27.23	-4	-20	187.43	10.36	199.14	10.97	210.86	11.57	234.28	12.18	257.71	14.01	269.43	14.62	281.14	15.23	5	-15	181.97	10.46	193.34	11.08	204.71	11.69	227.46	12.31	250.21	14.15	261.58	14.77	272.95	15.38	14	-10	176.67	10.67	187.71	11.30	198.75	11.93	220.84	12.56	242.92	14.44	253.96	15.07	265.00	15.70	23	-5	171.52	10.89	182.24	11.53	192.96	12.17	214.40	12.81	235.84	14.74	246.56	15.38	257.28	16.02	32	0	168.16	11.11	178.67	11.77	189.18	12.42	210.20	13.08	231.22	15.04	241.73	15.69	252.24	16.34	41	5	164.86	11.34	175.17	12.01	185.47	12.68	206.08	13.34	226.69	15.34	236.99	16.01	247.29	16.68	50	10	161.63	11.57	171.73	12.25	181.83	12.93	202.04	13.61	222.24	15.66	232.34	16.34	242.44	17.02	65	18.3	158.46	11.81	168.36	12.50	178.27	13.20	198.08	13.89	217.88	15.98	227.79	16.67	237.69	17.37	75	23.8	155.35	12.05	165.06	12.76	174.77	13.47	194.19	14.18	213.61	16.30	223.32	17.01	233.03	17.72	77	25	152.31	12.30	161.83	13.02	171.35	13.74	190.38	14.47	209.42	16.64	218.94	17.36	228.46	18.08	85	29.4	149.32	12.55	158.65	13.28	167.99	14.02	186.65	14.76	205.32	16.98	214.65	17.71	223.98	18.45	95	35	146.39	12.67	155.54	13.42	164.69	14.16	182.99	14.91	201.29	17.15	210.44	17.89	219.59	18.64	105	41	139.07	13.34	147.77	14.13	156.46	14.91	173.84	15.69	191.23	18.05	199.92	18.83	208.61	19.62	109	42.7	131.75	14.08	139.99	14.91	148.22	15.74	164.69	16.57	181.16	19.05	189.40	19.88	197.63	20.71	115	46	133.35	14.43	141.69	15.28	150.02	16.13	166.69	16.98	183.36	19.52	191.69	20.37	200.03	21.22	122	50	102.47	15.84	108.88	16.77	115.28	17.71	128.09	18.64	140.90	21.43	147.31	22.37	153.71	23.30

Combination	Outdoor Ambient Temperature		Indoor Ambient Temperature of WB(oC WB)																																																																																																																																																																																																																																																																																																																																																																																																																																																															
			57(13.9)			61(16.1)			64(17.8)			67(19.4)			70(21.1)			72(22.2)			75 (23.9)																																																																																																																																																																																																																																																																																																																																																																																																																																													
			TC	PI	KW	TC	PI	KW	TC	PI	KW	TC	PI	KW	TC	PI	KW	TC	PI	KW	TC	PI	KW																																																																																																																																																																																																																																																																																																																																																																																																																																											
°F DB	°C DB																																																																																																																																																																																																																																																																																																																																																																																																																																																																	
	-4	-20	164.57	8.75	174.86	9.27	185.14	9.78	205.71	10.30	226.28	11.84	236.57	12.36	246.86	12.87	159.78	8.84	169.76	9.36	179.75	9.88	199.72	10.40	219.69	11.96	229.68	12.48	239.67	13.00	155.12	9.02	164.82	9.55	174.51	10.08	193.90	10.61	213.29	12.20	222.99	12.73	232.68	13.27	150.61	9.20	160.02	9.75	169.43	10.29	188.26	10.83	207.08	12.45	216.49	12.99	225.91	13.54	147.65	9.39	156.88	9.94	166.11	10.50	184.57	11.05	203.02	12.71	212.25	13.26	221.48	13.81	144.76	9.58	153.80	10.15	162.85	10.71	180.95	11.28	199.04	12.97	208.09	13.53	217.14	14.09	141.92	9.78	150.79	10.36	159.66	10.93	177.40	11.51	195.14	13.23	204.01	13.81	212.88	14.38	139.14	9.98	147.83	10.57	156.53	11.15	173.92	11.74	191.31	13.50	200.01	14.09	208.70	14.68	136.41	10.18	144.93	10.78	153.46	11.38	170.51	11.98	187.56	13.78	196.09	14.38	204.61	14.98	133.73	10.39	142.09	11.00	150.45	11.61	167.17	12.22	183.88	14.06	192.24	14.67	200.60	15.28	131.11	10.60	139.31	11.23	147.50	11.85	163.89	12.47	180.28	14.35	188.47	14.97	196.67	15.59	128.54	10.71	136.57	11.34	144.61	11.97	160.67	12.60	176.74	14.49	184.78	15.12	192.81	15.75	122.11	11.27	129.75	11.94	137.38	12.60	152.64	13.26	167.91	15.25	175.54	15.92	183.17	16.58	115.69	11.90	122.92	12.60	130.15	13.30	144.61	14.00	159.07	16.10	166.30	16.80	173.53	17.50	116.87	11.58	124.17	12.27	131.48	12.95	146.09	13.63	160.70	15.67	168.00	16.35	175.30	17.03	89.98	13.39	95.60	14.18	101.23	14.96	112.47	15.75	123.72	18.11	129.34	18.90	134.97	19.69	141.71	7.15	150.57	7.57	159.43	7.99	177.14	8.41	194.86	9.67	203.71	10.09	212.57	10.51	137.59	7.22	146.18	7.64	154.78	8.07	171.98	8.49	189.18	9.77	197.78	10.19	206.38	10.62	133.58	7.37	141.93	7.80	150.28	8.23	166.97	8.67	183.67	9.97	192.02	10.40	200.37	10.83	129.69	7.52	137.79	7.96	145.90	8.40	162.11	8.84	178.32	10.17	186.43	10.61	194.53	11.05	127.14	7.67	135.09	8.12	143.04	8.57	158.93	9.02	174.82	10.38	182.77	10.83	190.72	11.28	124.65	7.83	132.44	8.29	140.23	8.75	155.81	9.21	171.40	10.59	179.19	11.05	186.98	11.51	122.21	7.99	129.85	8.46	137.48	8.93	152.76	9.40	168.04	10.81	175.67	11.28	183.31	11.75	119.81	8.15	127.30	8.63	134.79	9.11	149.76	9.59	164.74	11.03	172.23	11.51	179.72	11.99	117.46	8.32	124.80	8.81	132.14	9.29	146.83	9.78	161.51	11.25	168.85	11.74	176.19	12.23	115.16	8.49	122.36	8.99	129.55	9.48	143.95	9.98	158.34	11.48	165.54	11.98	172.74	12.48	112.90	8.66	119.96	9.17	127.01	9.68	141.13	10.19	155.24	11.72	162.30	12.22	169.35	12.73	110.69	8.75	117.61	9.26	124.52	9.78	138.36	10.29	152.19	11.83	159.11	12.35	166.03	12.86	105.15	9.21	111.72	9.75	118.30	10.29	131.44	10.83	144.59	12.46	151.16	13.00	157.73	13.54	99.62	9.72	105.84	10.29	112.07	10.86	124.52	11.43	136.98	13.15	143.20	13.72	149.43	14.29	103.38	9.96	109.85	10.54	116.31	11.13	129.23	11.72	142.15	13.47	148.61	14.06	155.08	14.64	77.48	10.93	82.32	11.58	87.17	12.22	96.85	12.86	106.54	14.79	111.38	15.44	116.22	16.08

Combination	Outdoor Ambient Temperature		Indoor Ambient Temperature of F WB(oC WB)																					
			57(13.9)			61(16.1)			64(17.8)			67(19.4)			70(21.1)			72(22.2)			75 (23.9)			
	°F DB	°C DB	TC	KBTU	PI	KW	TC	KBTU	PI	KW	TC	KBTU	PI	KW	TC	KBTU	PI	KW	TC	KBTU	PI	KW		
50%	-4	-20	114.28	5.83	6.18	121.43	6.18	128.57	6.52	142.86	6.86	157.14	7.89	164.28	8.24	171.43	8.58	178.57	9.02	185.71	9.36	192.86	9.70	200.00
	5	-15	110.96	5.89	6.24	117.89	6.24	124.83	6.59	138.70	6.93	152.56	7.97	159.50	8.32	166.43	8.67	173.30	9.02	180.17	9.36	187.04	9.70	193.91
	14	-10	107.72	6.01	6.37	114.46	6.37	121.19	6.72	134.66	7.07	148.12	8.14	154.85	8.49	161.59	8.84	168.33	9.18	175.00	9.52	181.67	9.86	188.33
	23	-5	104.59	6.14	6.50	111.12	6.50	117.66	6.86	130.73	7.22	143.81	8.30	150.34	8.66	156.88	9.02	163.42	9.36	170.00	9.70	176.58	10.04	183.17
	32	0	102.54	6.26	6.63	108.94	6.63	115.35	7.00	128.17	7.37	140.99	8.47	147.40	8.84	153.80	9.21	160.21	9.52	166.67	9.86	173.14	10.20	179.61
	41	5	100.53	6.39	6.77	106.81	6.77	113.09	7.14	125.66	7.52	138.22	8.64	144.51	9.02	150.79	9.40	157.08	9.70	163.37	10.04	169.67	10.38	175.96
	50	10	98.55	6.52	6.90	104.71	6.90	110.87	7.29	123.19	7.67	135.51	8.82	141.67	9.20	147.83	9.59	153.99	9.86	160.17	10.20	166.43	10.58	172.69
	65	18.3	96.62	6.65	7.04	102.66	7.04	108.70	7.44	120.78	7.83	132.86	9.00	138.89	9.39	144.93	9.78	150.97	10.04	156.92	10.38	162.88	10.76	168.83
	75	23.8	94.73	6.79	7.19	100.65	7.19	106.57	7.59	118.41	7.99	130.25	9.18	136.17	9.58	142.09	9.98	147.92	10.20	153.76	10.58	159.50	11.04	165.14
	77	25	92.87	6.93	7.33	98.67	7.33	104.48	7.74	116.09	8.15	127.70	9.37	133.50	9.78	139.31	10.19	145.03	10.38	150.79	10.76	156.53	11.14	161.97
	85	29.4	91.05	7.07	7.48	96.74	7.48	102.43	7.90	113.81	8.32	125.19	9.56	130.88	9.98	136.57	10.40	142.26	10.58	147.92	11.04	153.58	11.52	159.17
	95	35	89.26	7.14	7.56	94.84	7.56	100.42	7.98	111.58	8.40	122.74	9.66	128.32	10.08	133.90	10.50	139.48	10.76	145.03	11.14	150.58	11.62	155.97
	105	41	84.80	7.52	7.96	90.10	7.96	95.40	8.40	106.00	8.84	116.60	10.17	121.90	10.61	127.20	11.05	132.50	10.76	138.00	11.14	143.50	11.62	149.00
	109	42.7	80.34	7.93	8.40	85.36	8.40	90.38	8.87	100.42	9.33	110.46	10.73	115.49	11.20	120.51	11.67	125.56	10.76	131.00	11.14	136.50	11.62	142.00
115	46	79.08	7.72	8.18	84.02	8.18	88.96	8.63	98.85	9.09	108.73	10.45	113.67	10.90	118.62	11.36	123.57	10.76	129.00	10.76	134.50	11.36	140.00	
122	50	62.48	8.93	9.45	66.39	9.45	70.30	9.98	78.11	10.50	85.92	12.08	89.82	12.60	93.73	13.13	97.64	12.08	127.00	12.08	132.00	12.60	137.00	

MVHQ096ME4CA
460v cooling capacity

Combination	Outdoor Ambient Temperature °F DB °C DB	Indoor Ambient Temperature of WB(oC WB)																					
		57(13.9)			61(16.1)			64(17.8)			67(19.4)			70(21.1)			72(22.2)			75 (23.9)			
		TC	KBTU	PI	TC	KBTU	PI	TC	KBTU	PI	TC	KBTU	PI	TC	KBTU	PI	TC	KBTU	PI	TC	KBTU	PI	
130%	-4	100.80	5.06	93.33	5.36	5.65	98.82	5.65	109.80	5.95	120.78	6.84	126.27	7.14	131.76	7.44							
	5	97.87	5.11	92.41	5.41	5.71	97.84	5.71	108.71	6.01	119.58	6.91	125.02	7.21	130.46	7.51							
	14	95.02	5.21	91.49	5.52	5.83	96.87	5.83	107.64	6.13	118.40	7.05	123.78	7.36	129.16	7.67							
	23	92.25	5.32	90.59	5.63	5.95	95.91	5.95	106.57	6.26	117.23	7.20	122.56	7.51	127.89	7.82							
	32	90.44	5.43	89.69	5.75	6.07	94.96	6.07	105.52	6.39	116.07	7.34	121.34	7.66	126.62	7.98							
	41	88.67	5.54	88.80	5.86	6.19	94.02	6.19	104.47	6.52	114.92	7.49	120.14	7.82	125.37	8.15							
	50	86.93	5.65	87.92	5.98	6.32	93.09	6.32	103.44	6.65	113.78	7.65	118.95	7.98	124.12	8.31							
	65	85.22	5.77	87.05	6.11	6.45	92.17	6.45	102.41	6.79	112.65	7.80	117.78	8.14	122.90	8.48							
	75	83.55	5.89	86.19	6.23	6.58	91.26	6.58	101.40	6.92	111.54	7.96	116.61	8.31	121.68	8.65							
	77	81.91	6.01	85.34	6.36	6.71	90.36	6.71	100.40	7.07	110.43	8.12	115.45	8.48	120.47	8.83							
	85	80.31	6.13	84.49	6.49	6.85	89.46	6.85	99.40	7.21	109.34	8.29	114.31	8.65	119.28	9.01							
	95	78.73	6.19	83.65	6.55	6.92	88.58	6.92	98.42	7.28	108.26	8.37	113.18	8.74	118.10	9.10							
105	74.80	6.52	79.47	6.90	7.28	84.15	7.28	93.50	7.67	102.85	8.82	107.52	9.20	112.20	9.58								
109	70.86	6.88	75.29	7.28	7.69	79.72	7.69	88.58	8.09	97.43	9.30	101.86	9.71	106.29	10.11								
115	67.44	7.05	71.65	7.46	7.88	75.87	7.88	84.30	8.29	92.73	9.53	96.94	9.95	101.16	10.36								
122	55.11	7.74	58.56	8.19	8.65	62.00	8.65	68.89	9.10	75.78	10.47	79.23	10.92	82.67	11.38								
120%	-4	98.92	5.01	91.59	5.30	5.60	96.97	5.60	107.75	5.89	118.52	6.78	123.91	7.07	129.30	7.37							
	5	96.04	5.06	90.68	5.36	5.65	96.01	5.65	106.68	5.95	117.35	6.85	122.68	7.14	128.02	7.44							
	14	93.24	5.16	89.78	5.47	5.77	95.06	5.77	105.63	6.07	116.19	6.98	121.47	7.29	126.75	7.59							
	23	90.52	5.27	88.89	5.58	5.89	94.12	5.89	104.58	6.20	115.04	7.13	120.27	7.44	125.50	7.75							
	32	88.75	5.38	88.01	5.69	6.01	93.19	6.01	103.54	6.32	113.90	7.27	119.08	7.59	124.25	7.91							
	41	87.01	5.49	87.14	5.81	6.13	92.27	6.13	102.52	6.45	112.77	7.42	117.90	7.74	123.02	8.07							
	50	85.30	5.60	86.28	5.93	6.26	91.35	6.26	101.50	6.59	111.65	7.57	116.73	7.90	121.80	8.23							
	65	83.63	5.71	85.42	6.05	6.38	90.45	6.38	100.50	6.72	110.55	7.73	115.57	8.06	120.60	8.40							
	75	81.99	5.83	84.58	6.17	6.51	89.55	6.51	99.50	6.86	109.45	7.89	114.43	8.23	119.40	8.57							
	77	80.38	5.95	83.74	6.30	6.65	88.67	6.65	98.52	7.00	108.37	8.05	113.30	8.40	118.22	8.75							
	85	78.81	6.07	82.91	6.43	6.78	87.79	6.78	97.54	7.14	107.30	8.21	112.17	8.57	117.05	8.92							
	95	77.26	6.13	82.09	6.49	6.85	86.92	6.85	96.58	7.21	106.24	8.29	111.06	8.65	115.89	9.01							
105	73.40	6.45	77.99	6.83	7.21	82.57	7.21	91.75	7.59	100.92	8.73	105.51	9.11	110.10	9.49								
109	69.54	6.81	73.88	7.21	7.61	78.23	7.61	86.92	8.01	95.61	9.21	99.96	9.62	104.30	10.02								
115	64.84	6.98	68.90	7.39	7.80	72.95	7.80	81.05	8.21	89.16	9.44	93.21	9.85	97.26	10.26								
122	54.08	7.66	57.46	8.11	8.56	60.84	8.56	67.60	9.01	74.36	10.37	77.74	10.82	81.12	11.27								

Combination	Outdoor Ambient Temperature		Indoor Ambient Temperature of WB(oC WB)																																																																																																																																																																																																																																																																																																																																																																																																																																																																																																																													
	°F	DB	57(13.9)			61(16.1)			64(17.8)			67(19.4)			70(21.1)			72(22.2)			75 (23.9)																																																																																																																																																																																																																																																																																																																																																																																																																																																																																																											
			TC	KBTU	Pi	TC	KBTU	Pi	TC	KBTU	Pi	TC	KBTU	Pi	TC	KBTU	Pi	TC	KBTU	Pi	TC	KBTU	Pi																																																																																																																																																																																																																																																																																																																																																																																																																																																																																																									
	-4	-20	97.03	4.96	89.84	5.25	95.13	5.54	105.70	5.84	116.27	6.71	121.55	7.00	126.84	7.29	5	-15	94.21	5.01	88.95	5.30	94.18	5.60	104.65	5.89	115.11	6.78	120.35	7.07	125.58	7.37	14	-10	91.46	5.11	88.07	5.41	93.25	5.71	103.61	6.01	113.97	6.92	119.16	7.22	124.34	7.52	23	-5	88.80	5.22	87.20	5.52	92.33	5.83	102.59	6.14	112.85	7.06	117.98	7.36	123.10	7.67	32	0	87.06	5.32	86.34	5.64	91.41	5.95	101.57	6.26	111.73	7.20	116.81	7.51	121.89	7.83	41	5	85.35	5.43	85.48	5.75	90.51	6.07	100.57	6.39	110.62	7.35	115.65	7.67	120.68	7.99	50	10	83.68	5.54	84.63	5.87	89.61	6.19	99.57	6.52	109.53	7.50	114.51	7.82	119.48	8.15	65	18.3	82.04	5.66	83.80	5.99	88.73	6.32	98.58	6.65	108.44	7.65	113.37	7.98	118.30	8.32	75	23.8	80.43	5.77	82.97	6.11	87.85	6.45	97.61	6.79	107.37	7.81	112.25	8.15	117.13	8.49	77	25	78.85	5.89	82.15	6.24	86.98	6.58	96.64	6.93	106.31	7.97	111.14	8.31	115.97	8.66	85	29.4	77.31	6.01	81.33	6.36	86.12	6.72	95.69	7.07	105.25	8.13	110.04	8.48	114.82	8.84	95	35	75.79	6.07	80.53	6.43	85.26	6.78	94.74	7.14	104.21	8.21	108.95	8.57	113.69	8.93	105	41	72.00	6.39	76.50	6.76	81.00	7.14	90.00	7.52	99.00	8.64	103.50	9.02	108.00	9.40	109	42.7	68.21	6.74	72.47	7.14	76.74	7.54	85.26	7.93	93.79	9.12	98.05	9.52	102.32	9.92	115	46	63.61	6.91	67.58	7.32	71.56	7.72	79.51	8.13	87.46	9.35	91.44	9.76	95.41	10.16	122	50	53.05	7.59	56.37	8.03	59.68	8.48	66.32	8.93	72.95	10.26	76.26	10.71	79.58	11.16	-4	-20	94.21	4.91	87.22	5.20	92.36	5.49	102.62	5.78	112.88	6.64	118.01	6.93	123.14	7.22	5	-15	91.46	4.96	86.36	5.25	91.44	5.54	101.60	5.84	111.76	6.71	116.84	7.00	121.92	7.29	14	-10	88.80	5.06	85.51	5.36	90.54	5.66	100.60	5.95	110.66	6.85	115.68	7.15	120.71	7.44	23	-5	86.21	5.16	84.66	5.47	89.64	5.77	99.60	6.08	109.56	6.99	114.54	7.29	119.52	7.60	32	0	84.52	5.27	83.82	5.58	88.75	5.89	98.61	6.20	108.47	7.13	113.41	7.44	118.34	7.75	41	5	82.87	5.38	82.99	5.69	87.87	6.01	97.64	6.33	107.40	7.28	112.28	7.59	117.16	7.91	50	10	81.24	5.49	82.17	5.81	87.00	6.13	96.67	6.46	106.34	7.42	111.17	7.75	116.00	8.07	65	18.3	79.65	5.60	81.36	5.93	86.14	6.26	95.71	6.59	105.28	7.58	110.07	7.91	114.86	8.23	75	23.9	78.09	5.71	80.55	6.05	85.29	6.39	94.77	6.72	104.24	7.73	108.98	8.07	113.72	8.40	77	25	76.56	5.83	79.75	6.17	84.44	6.52	93.83	6.86	103.21	7.89	107.90	8.23	112.59	8.57	85	29.4	75.05	5.95	78.96	6.30	83.61	6.65	92.90	7.00	102.19	8.05	106.83	8.40	111.48	8.75	95	35	73.58	6.01	78.18	6.36	82.78	6.72	91.98	7.07	101.18	8.13	105.78	8.48	110.37	8.84	105	40.6	69.90	6.33	74.27	6.70	78.64	7.07	87.38	7.44	96.12	8.56	100.49	8.93	104.86	9.30	109	42.8	66.22	6.68	70.36	7.07	74.50	7.46	82.78	7.86	91.06	9.03	95.20	9.43	99.34	9.82	115	46.1	61.74	6.84	65.60	7.24	69.46	7.65	77.18	8.05	84.90	9.26	88.76	9.66	92.62	10.06	122	50	51.51	7.51	54.73	7.95	57.95	8.40	64.38	8.84	70.82	10.16	74.04	10.61	77.26	11.05

Combination	Outdoor Ambient Temperature °F DB / °C DB	Indoor Ambient Temperature of WB(oC WB)																																																																																																																																																																																																																																																																																																																																																																																																																																																															
		57(13.9)				61(16.1)				64(17.8)				67(19.4)				70(21.1)				72(22.2)				75 (23.9)																																																																																																																																																																																																																																																																																																																																																																																																																																							
		TC	PI	KBTU	KW	TC	PI	KBTU	KW	TC	PI	KBTU	KW	TC	PI	KBTU	KW	TC	PI	KBTU	KW	TC	PI	KBTU	KW	TC	PI	KBTU	KW																																																																																																																																																																																																																																																																																																																																																																																																																																				
	-4	84.79	4.08	78.50	4.32	83.12	4.56	92.36	4.80	101.59	5.51	106.21	5.75	110.83	5.99	82.32	4.12	77.73	4.36	82.30	4.60	91.44	4.84	100.59	5.57	105.16	5.81	109.73	6.05	79.92	4.20	76.96	4.45	81.48	4.70	90.54	4.94	99.59	5.68	104.12	5.93	108.64	6.18	77.59	4.29	76.19	4.54	80.68	4.79	89.64	5.04	98.60	5.80	103.09	6.05	107.57	6.30	76.07	4.37	75.44	4.63	79.88	4.89	88.75	5.15	97.63	5.92	102.06	6.18	106.50	6.43	74.58	4.46	74.69	4.73	79.09	4.99	87.87	5.25	96.66	6.04	101.05	6.30	105.45	6.56	73.12	4.55	73.95	4.82	78.30	5.09	87.00	5.36	95.70	6.16	100.05	6.43	104.40	6.70	71.68	4.65	73.22	4.92	77.53	5.19	86.14	5.47	94.76	6.29	99.06	6.56	103.37	6.83	70.28	4.74	72.50	5.02	76.76	5.30	85.29	5.58	93.82	6.42	98.08	6.70	102.35	6.97	68.90	4.84	71.78	5.12	76.00	5.41	84.44	5.69	92.89	6.55	97.11	6.83	101.33	7.12	67.55	4.94	71.07	5.23	75.25	5.52	83.61	5.81	91.97	6.68	96.15	6.97	100.33	7.26	66.22	4.99	70.36	5.28	74.50	5.57	82.78	5.87	91.06	6.75	95.20	7.04	99.34	7.34	62.91	5.25	66.85	5.56	70.78	5.87	78.64	6.18	86.51	7.10	90.44	7.41	94.37	7.72	59.60	5.54	63.33	5.87	67.05	6.19	74.50	6.52	81.95	7.50	85.68	7.82	89.40	8.15	57.43	5.47	61.02	5.80	64.61	6.12	71.79	6.44	78.97	7.41	82.56	7.73	86.15	8.05	46.36	6.23	49.25	6.60	52.15	6.97	57.95	7.34	63.74	8.44	66.64	8.80	69.54	9.17	77.25	3.49	71.52	3.69	75.73	3.90	84.15	4.10	92.56	4.72	96.77	4.92	100.98	5.13	75.00	3.52	70.82	3.73	74.98	3.94	83.31	4.14	91.64	4.76	95.81	4.97	99.98	5.18	72.82	3.59	70.12	3.81	74.24	4.02	82.49	4.23	90.74	4.86	94.86	5.07	98.99	5.28	70.70	3.67	69.42	3.88	73.50	4.10	81.67	4.31	89.84	4.96	93.92	5.18	98.01	5.39	69.31	3.74	68.73	3.96	72.78	4.18	80.86	4.40	88.95	5.06	92.99	5.28	97.04	5.50	67.95	3.82	68.05	4.04	72.06	4.27	80.06	4.49	88.07	5.17	92.07	5.39	96.07	5.62	66.62	3.90	67.38	4.13	71.34	4.35	79.27	4.58	87.20	5.27	91.16	5.50	95.12	5.73	65.31	3.98	66.71	4.21	70.64	4.44	78.48	4.68	86.33	5.38	90.26	5.61	94.18	5.85	64.03	4.06	66.05	4.30	69.94	4.53	77.71	4.77	85.48	5.49	89.36	5.73	93.25	5.97	62.78	4.14	65.40	4.38	69.24	4.63	76.94	4.87	84.63	5.60	88.48	5.84	92.33	6.09	61.54	4.22	64.75	4.47	68.56	4.72	76.18	4.97	83.79	5.71	87.60	5.96	91.41	6.21	60.34	4.27	64.11	4.52	67.88	4.77	75.42	5.02	82.96	5.77	86.74	6.02	90.51	6.27	57.32	4.49	60.90	4.76	64.49	5.02	71.65	5.28	78.82	6.08	82.40	6.34	85.98	6.60	54.30	4.74	57.70	5.02	61.09	5.30	67.88	5.58	74.67	6.41	78.06	6.69	81.46	6.97	54.96	4.86	58.40	5.14	61.83	5.43	68.70	5.71	75.57	6.57	79.01	6.86	82.44	7.14	42.24	5.33	44.88	5.65	47.52	5.96	52.80	6.27	58.08	7.22	60.71	7.53	63.35	7.84

90%

80%

Combination	Outdoor Ambient Temperature		Indoor Ambient Temperature of WB(oC WB)																					
			57(13.9)			61(16.1)			64(17.8)			67(19.4)			70(21.1)			72(22.2)			75 (23.9)			
	°F DB	°C DB	TC	PI	KBTU	kW	TC	PI	KBTU	kW	TC	PI	KBTU	kW	TC	PI	KBTU	kW	TC	PI	KBTU	kW		
70%	-4	-20	67.83	2.95	62.80	3.12	66.50	3.29	73.88	3.47	81.27	3.99	84.97	4.16	88.66	4.33								
	5	-15	65.85	2.98	62.18	3.15	65.84	3.33	73.15	3.50	80.47	4.03	84.13	4.20	87.78	4.38								
	14	-10	63.94	3.04	61.56	3.22	65.19	3.39	72.43	3.57	79.67	4.11	83.29	4.29	86.91	4.47								
	23	-5	62.07	3.10	60.95	3.28	64.54	3.46	71.71	3.65	78.88	4.19	82.47	4.37	86.05	4.56								
	32	0	60.86	3.16	60.35	3.35	63.90	3.53	71.00	3.72	78.10	4.28	81.65	4.46	85.20	4.65								
	41	5	59.66	3.23	59.75	3.42	63.27	3.61	70.30	3.80	77.33	4.37	80.84	4.56	84.36	4.75								
	50	10	58.49	3.29	59.16	3.49	62.64	3.68	69.60	3.87	76.56	4.45	80.04	4.65	83.52	4.84								
	65	18.3	57.35	3.36	58.58	3.56	62.02	3.75	68.91	3.95	75.80	4.55	79.25	4.74	82.70	4.94								
	75	23.8	56.22	3.43	58.00	3.63	61.41	3.83	68.23	4.03	75.05	4.64	78.47	4.84	81.88	5.04								
	77	25	55.12	3.50	57.42	3.70	60.80	3.91	67.56	4.12	74.31	4.73	77.69	4.94	81.07	5.14								
	85	29.4	54.04	3.57	56.85	3.78	60.20	3.99	66.89	4.20	73.58	4.83	76.92	5.04	80.26	5.25								
	95	35	52.98	3.61	56.29	3.82	59.60	4.03	66.22	4.24	72.85	4.88	76.16	5.09	79.47	5.30								
	105	41	50.33	3.80	53.48	4.02	56.62	4.24	62.91	4.47	69.20	5.14	72.35	5.36	75.50	5.58								
	109	42.7	47.68	4.01	50.66	4.24	53.64	4.48	59.60	4.71	65.56	5.42	68.54	5.66	71.52	5.89								
115	46	48.17	3.90	51.18	4.13	54.19	4.36	60.21	4.59	66.23	5.28	69.24	5.51	72.25	5.74									
122	50	37.09	4.51	39.40	4.77	41.72	5.04	46.36	5.30	50.99	6.10	53.31	6.36	55.63	6.63									
60%	-4	-20	58.41	2.41	54.08	2.55	57.26	2.69	63.62	2.83	69.99	3.26	73.17	3.40	76.35	3.54								
	5	-15	56.71	2.43	53.54	2.57	56.69	2.72	62.99	2.86	69.29	3.29	72.44	3.43	75.59	3.57								
	14	-10	55.06	2.48	53.01	2.63	56.13	2.77	62.37	2.92	68.61	3.36	71.72	3.50	74.84	3.65								
	23	-5	53.45	2.53	52.49	2.68	55.58	2.83	61.75	2.98	67.93	3.42	71.01	3.57	74.10	3.72								
	32	0	52.40	2.58	51.97	2.73	55.03	2.89	61.14	3.04	67.25	3.49	70.31	3.65	73.37	3.80								
	41	5	51.38	2.64	51.45	2.79	54.48	2.95	60.53	3.10	66.59	3.57	69.62	3.72	72.64	3.88								
	50	10	50.37	2.69	50.95	2.85	53.94	3.01	59.94	3.16	65.93	3.64	68.93	3.80	71.92	3.95								
	65	18.3	49.38	2.74	50.44	2.91	53.41	3.07	59.34	3.23	65.28	3.71	68.24	3.87	71.21	4.03								
	75	23.8	48.41	2.80	49.94	2.96	52.88	3.13	58.75	3.29	64.63	3.79	67.57	3.95	70.51	4.12								
	77	25	47.46	2.86	49.45	3.02	52.36	3.19	58.17	3.36	63.99	3.87	66.90	4.03	69.81	4.20								
	85	29.4	46.53	2.92	48.96	3.09	51.84	3.26	57.60	3.43	63.36	3.94	66.24	4.12	69.12	4.29								
	95	35	45.62	2.94	48.47	3.12	51.32	3.29	57.03	3.46	62.73	3.98	65.58	4.16	68.43	4.33								
	105	41	43.34	3.10	46.05	3.28	48.76	3.46	54.18	3.65	59.59	4.19	62.30	4.38	65.01	4.56								
	109	42.7	41.06	3.27	43.63	3.46	46.19	3.66	51.32	3.85	56.46	4.43	59.02	4.62	61.59	4.81								
115	46	42.61	3.35	45.27	3.55	47.94	3.75	53.26	3.94	58.59	4.54	61.25	4.73	63.92	4.93									
122	50	31.93	3.68	33.93	3.90	35.93	4.11	39.92	4.33	43.91	4.98	45.91	5.20	47.90	5.41									

Combination	Outdoor Ambient Temperature		Indoor Ambient Temperature of F WB(oC WB)																									
			57(13.9)			61(16.1)			64(17.8)			67(19.4)			70(21.1)			72(22.2)			75 (23.9)							
	°F DB	°C DB	TC	KBTU	PI	KW	TC	KBTU	PI	KW	TC	KBTU	PI	KW	TC	KBTU	PI	KW	TC	KBTU	PI	KW	TC	KBTU	PI	KW		
50%	-4	-20	47.10	1.96	43.61	2.08	46.18	2.20	51.31	2.31	56.44	2.66	59.01	2.77	61.57	2.89												
	5	-15	45.73	1.98	43.18	2.10	45.72	2.22	50.80	2.33	55.88	2.68	58.42	2.80	60.96	2.92												
	14	-10	44.40	2.02	42.75	2.14	45.27	2.26	50.30	2.38	55.33	2.74	57.84	2.86	60.36	2.98												
	23	-5	43.11	2.07	42.33	2.19	44.82	2.31	49.80	2.43	54.78	2.80	57.27	2.92	59.76	3.04												
	32	0	42.26	2.11	41.91	2.23	44.38	2.36	49.31	2.48	54.24	2.85	56.70	2.98	59.17	3.10												
	41	5	41.43	2.15	41.50	2.28	43.94	2.40	48.82	2.53	53.70	2.91	56.14	3.04	58.58	3.16												
	50	10	40.62	2.20	41.08	2.32	43.50	2.45	48.34	2.58	53.17	2.97	55.59	3.10	58.00	3.23												
	65	18.3	39.82	2.24	40.68	2.37	43.07	2.50	47.86	2.64	52.64	3.03	55.04	3.16	57.43	3.29												
	75	23.8	39.04	2.29	40.28	2.42	42.64	2.55	47.38	2.69	52.12	3.09	54.49	3.23	56.86	3.36												
	77	25	38.28	2.33	39.88	2.47	42.22	2.61	46.91	2.74	51.60	3.16	53.95	3.29	56.30	3.43												
	85	29.4	37.53	2.38	39.48	2.52	41.80	2.66	46.45	2.80	51.09	3.22	53.42	3.36	55.74	3.50												
	95	35	36.79	2.40	39.09	2.55	41.39	2.69	45.99	2.83	50.59	3.25	52.89	3.39	55.19	3.54												
105	41	34.95	2.53	37.14	2.68	39.32	2.83	43.69	2.98	48.06	3.42	50.24	3.57	52.43	3.72													
109	42.7	33.11	2.67	35.18	2.83	37.25	2.99	41.39	3.14	45.53	3.61	47.60	3.77	49.67	3.93													
115	46	32.59	2.60	34.63	2.75	36.67	2.91	40.74	3.06	44.82	3.52	46.85	3.67	48.89	3.82													
122	50	25.75	3.00	27.36	3.18	28.97	3.36	32.19	3.54	35.41	4.07	37.02	4.24	38.63	4.42													

Combination	Outdoor Ambient Temperature °F DB °C DB	Indoor Ambient Temperature of WB(oC WB)																																																																																																																																																																																																																																																																																																																																																																																																																																																																			
		57(13.9)			61(16.1)			64(17.8)			67(19.4)			70(21.1)			72(22.2)			75 (23.9)																																																																																																																																																																																																																																																																																																																																																																																																																																																	
		TC	KBTU	PI kW	TC	KBTU	PI kW	TC	KBTU	PI kW	TC	KBTU	PI kW	TC	KBTU	PI kW	TC	KBTU	PI kW	TC	KBTU	PI kW																																																																																																																																																																																																																																																																																																																																																																																																																																															
130%	-4	-20	126.00	6.60	116.66	6.99	123.53	7.38	137.25	7.77	150.98	8.93	157.84	9.32	164.70	9.71	122.33	6.67	115.51	7.06	122.30	7.45	135.89	7.85	149.48	9.02	156.28	9.42	163.07	9.81	118.77	6.81	114.36	7.21	121.09	7.61	134.55	8.01	148.00	9.21	154.73	9.61	161.46	10.01	115.31	6.95	113.23	7.35	119.89	7.76	133.21	8.17	146.54	9.40	153.20	9.80	159.86	10.21	113.05	7.09	112.11	7.50	118.71	7.92	131.90	8.34	145.08	9.59	151.68	10.00	158.27	10.42	110.83	7.23	111.00	7.66	117.53	8.08	130.59	8.51	143.65	9.78	150.18	10.21	156.71	10.63	108.66	7.38	109.90	7.81	116.37	8.25	129.30	8.68	142.23	9.98	148.69	10.42	155.16	10.85	106.53	7.53	108.81	7.97	115.21	8.42	128.02	8.86	140.82	10.19	147.22	10.63	153.62	11.07	104.44	7.68	107.74	8.14	114.07	8.59	126.75	9.04	139.42	10.39	145.76	10.85	152.10	11.30	102.39	7.84	106.67	8.30	112.94	8.76	125.49	9.22	138.04	10.61	144.32	11.07	150.59	11.53	100.39	8.00	105.61	8.47	111.83	8.94	124.25	9.41	136.68	10.82	142.89	11.29	149.10	11.76	98.42	8.08	104.57	8.56	110.72	9.03	123.02	9.51	135.32	10.93	141.47	11.41	147.63	11.88	93.50	8.51	99.34	9.01	105.18	9.51	116.87	10.01	128.56	11.51	134.40	12.01	140.24	12.51	88.58	8.98	94.11	9.51	99.65	10.04	110.72	10.56	121.79	12.15	127.33	12.68	132.86	13.20	84.30	9.20	89.56	9.74	94.83	10.28	105.37	10.82	115.91	12.45	121.18	12.99	126.44	13.53	68.89	10.10	73.20	10.70	77.50	11.29	86.11	11.88	94.73	13.67	99.03	14.26	103.34	14.85	120%	-4	-20	123.65	6.54	114.48	6.92	121.22	7.31	134.69	7.69	148.15	8.85	154.89	9.23	161.62	9.62	120.05	6.61	113.35	6.99	120.02	7.38	133.35	7.77	146.69	8.94	153.35	9.33	160.02	9.71	116.55	6.74	112.23	7.14	118.83	7.53	132.03	7.93	145.23	9.12	151.84	9.52	158.44	9.91	113.16	6.88	111.12	7.28	117.65	7.69	130.72	8.09	143.80	9.31	150.33	9.71	156.87	10.11	110.94	7.02	110.02	7.43	116.49	7.84	129.43	8.26	142.37	9.49	148.84	9.91	155.32	10.32	108.76	7.16	108.93	7.58	115.33	8.00	128.15	8.42	140.96	9.69	147.37	10.11	153.78	10.53	106.63	7.31	107.85	7.74	114.19	8.17	126.88	8.60	139.57	9.89	145.91	10.32	152.26	10.75	104.54	7.46	106.78	7.90	113.06	8.33	125.62	8.77	138.19	10.09	144.47	10.53	150.75	10.97	102.49	7.61	105.72	8.06	111.94	8.50	124.38	8.95	136.82	10.29	143.04	10.74	149.26	11.19	100.48	7.76	104.68	8.22	110.83	8.68	123.15	9.13	135.46	10.50	141.62	10.96	147.78	11.42	98.51	7.92	103.64	8.39	109.74	8.85	121.93	9.32	134.12	10.72	140.22	11.18	146.31	11.65	96.58	8.00	102.61	8.47	108.65	8.94	120.72	9.41	132.79	10.83	138.83	11.30	144.87	11.77	91.75	8.42	97.48	8.92	103.22	9.41	114.69	9.91	126.15	11.40	131.89	11.89	137.62	12.39	86.92	8.89	92.35	9.41	97.78	9.94	108.65	10.46	119.51	12.03	124.95	12.55	130.38	13.08	81.05	9.11	86.12	9.65	91.19	10.18	101.32	10.72	111.45	12.33	116.52	12.86	121.58	13.40	67.60	10.00	71.83	10.59	76.05	11.18	84.51	11.77	92.96	13.53	97.18	14.12	101.41	14.71

Combination	Outdoor Ambient Temperature °F DB °C DB	Indoor Ambient Temperature of WB(oC WB)																					
		57(13.9)			61(16.1)			64(17.8)			67(19.4)			70(21.1)			72(22.2)			75 (23.9)			
		TC	PI	KW	TC	PI	KW	TC	PI	KW	TC	PI	KW	TC	PI	KW	TC	PI	KW	TC	PI	KW	
110%	-4	121.29	6.48	112.30	6.86	118.91	7.24	132.12	7.62	145.33	8.76	151.94	9.14	158.54	9.52								
	5	117.76	6.54	111.19	6.93	117.73	7.31	130.81	7.69	143.89	8.85	150.43	9.23	156.97	9.62								
	14	114.33	6.67	110.09	7.07	116.56	7.46	129.52	7.85	142.47	9.03	148.94	9.42	155.42	9.81								
	23	111.00	6.81	109.00	7.21	115.41	7.61	128.23	8.01	141.06	9.21	147.47	9.61	153.88	10.01								
	32	108.82	6.95	107.92	7.36	114.27	7.77	126.96	8.18	139.66	9.40	146.01	9.81	152.36	10.22								
	41	106.69	7.09	106.85	7.51	113.14	7.93	125.71	8.34	138.28	9.59	144.56	10.01	150.85	10.43								
	50	104.60	7.24	105.79	7.66	112.02	8.09	124.46	8.51	136.91	9.79	143.13	10.22	149.36	10.64								
	65	102.55	7.38	104.75	7.82	110.91	8.25	123.23	8.69	135.55	9.99	141.72	10.42	147.88	10.86								
	75	100.54	7.53	103.71	7.98	109.81	8.42	122.01	8.86	134.21	10.19	140.31	10.64	146.41	11.08								
	77	98.57	7.69	102.68	8.14	108.72	8.59	120.80	9.04	132.88	10.40	138.92	10.85	144.96	11.31								
	85	96.63	7.84	101.67	8.31	107.65	8.77	119.61	9.23	131.57	10.61	137.55	11.07	143.53	11.54								
	95	94.74	7.92	100.66	8.39	106.58	8.86	118.42	9.32	130.26	10.72	136.19	11.19	142.11	11.65								
	105	90.00	8.34	95.63	8.83	101.25	9.32	112.50	9.81	123.75	11.28	129.38	11.78	135.00	12.27								
	109	85.26	8.80	90.59	9.32	95.92	9.84	106.58	10.36	117.24	11.91	122.57	12.43	127.90	12.95								
	115	79.51	9.02	84.48	9.55	89.45	10.08	99.39	10.61	109.33	12.21	114.30	12.74	119.27	13.27								
122	66.32	9.90	70.46	10.49	74.61	11.07	82.90	11.65	91.19	13.40	95.33	13.98	99.47	14.57									
100%	-4	117.95	6.41	109.20	6.79	115.63	7.17	128.47	7.54	141.32	8.67	147.75	9.05	154.17	9.43								
	5	114.51	6.48	108.12	6.86	114.48	7.24	127.20	7.62	139.92	8.76	146.28	9.14	152.64	9.52								
	14	111.18	6.61	107.05	7.00	113.35	7.39	125.94	7.77	138.54	8.94	144.83	9.33	151.13	9.72								
	23	107.94	6.74	105.99	7.14	112.23	7.54	124.70	7.93	137.17	9.12	143.40	9.52	149.64	9.92								
	32	105.82	6.88	104.94	7.29	111.12	7.69	123.46	8.09	135.81	9.31	141.98	9.71	148.15	10.12								
	41	103.75	7.02	103.90	7.43	110.02	7.85	122.24	8.26	134.46	9.50	140.58	9.91	146.69	10.32								
	50	101.71	7.16	102.87	7.59	108.93	8.01	121.03	8.43	133.13	9.69	139.18	10.11	145.23	10.54								
	65	99.72	7.31	101.86	7.74	107.85	8.17	119.83	8.60	131.81	9.89	137.81	10.32	143.80	10.75								
	75	97.76	7.46	100.85	7.90	106.78	8.34	118.64	8.78	130.51	10.09	136.44	10.53	142.37	10.97								
	77	95.85	7.61	99.85	8.06	105.72	8.51	117.47	8.95	129.22	10.30	135.09	10.75	140.96	11.19								
	85	93.97	7.77	98.86	8.22	104.68	8.68	116.31	9.14	127.94	10.51	133.75	10.97	139.57	11.42								
	95	92.12	7.85	97.88	8.31	103.64	8.77	115.16	9.23	126.67	10.61	132.43	11.08	138.19	11.54								
	105	87.52	8.26	92.99	8.74	98.46	9.23	109.40	9.72	120.34	11.17	125.81	11.66	131.28	12.14								
	109	82.91	8.72	88.09	9.23	93.28	9.74	103.64	10.26	114.00	11.79	119.19	12.31	124.37	12.82								
	115	77.19	8.93	82.02	9.46	86.84	9.98	96.49	10.51	106.14	12.08	110.97	12.61	115.79	13.14								
122	64.49	9.81	68.52	10.38	72.55	10.96	80.61	11.54	88.67	13.27	92.70	13.85	96.73	14.42									

Combination	Outdoor Ambient Temperature °F DB / °C DB	Indoor Ambient Temperature of F WB(oC WB)																					
		57(13.9)			61(16.1)			64(17.8)			67(19.4)			70(21.1)			72(22.2)			75 (23.9)			
		TC	KBTU	PI	TC	KBTU	PI	TC	KBTU	PI	TC	KBTU	PI	TC	KBTU	PI	TC	KBTU	PI	TC	KBTU	PI	
90%	-4	105.98	5.32	98.13	5.63	103.90	5.95	115.44	6.26	126.99	7.20	132.76	7.51	138.53	7.83								
	5	102.90	5.37	97.16	5.69	102.87	6.01	114.30	6.32	125.73	7.27	131.45	7.59	137.16	7.90								
	14	99.90	5.48	96.19	5.81	101.85	6.13	113.17	6.45	124.49	7.42	130.15	7.74	135.80	8.07								
	23	96.99	5.60	95.24	5.93	100.84	6.25	112.05	6.58	123.25	7.57	128.86	7.90	134.46	8.23								
	32	95.09	5.71	94.30	6.05	99.85	6.38	110.94	6.72	122.03	7.73	127.58	8.06	133.13	8.40								
	41	93.22	5.83	93.37	6.17	98.86	6.51	109.84	6.86	120.83	7.88	126.32	8.23	131.81	8.57								
	50	91.40	5.95	92.44	6.30	97.88	6.65	108.75	7.00	119.63	8.04	125.07	8.39	130.50	8.74								
	65	89.60	6.07	91.53	6.42	96.91	6.78	107.68	7.14	118.44	8.21	123.83	8.57	129.21	8.92								
	75	87.85	6.19	90.62	6.56	95.95	6.92	106.61	7.28	117.27	8.38	122.60	8.74	127.93	9.10								
	77	86.12	6.32	89.72	6.69	95.00	7.06	105.56	7.43	116.11	8.55	121.39	8.92	126.67	9.29								
	85	84.44	6.45	88.83	6.83	94.06	7.21	104.51	7.58	114.96	8.72	120.19	9.10	125.41	9.48								
	95	82.78	6.51	87.95	6.89	93.13	7.28	103.48	7.66	113.82	8.81	119.00	9.19	124.17	9.58								
105	81.40	6.85	83.56	7.26	88.47	7.66	98.30	8.06	108.13	9.27	113.05	9.68	117.96	10.08									
109	80.40	7.24	79.16	7.66	83.82	8.09	93.13	8.51	102.44	9.79	107.10	10.21	111.75	10.64									
115	79.15	7.15	76.28	7.57	80.76	7.99	89.74	8.41	98.71	9.67	103.20	10.09	107.69	10.51									
122	77.95	8.14	61.57	8.62	65.19	9.10	72.43	9.58	79.68	11.01	83.30	11.49	86.92	11.97									
80%	-4	96.56	4.55	89.41	4.82	94.66	5.09	105.18	5.36	115.70	6.16	120.96	6.43	126.22	6.69								
	5	93.75	4.60	88.52	4.87	93.73	5.14	104.14	5.41	114.56	6.22	119.76	6.49	124.97	6.76								
	14	91.02	4.69	87.64	4.97	92.80	5.24	103.11	5.52	113.42	6.35	118.58	6.62	123.73	6.90								
	23	88.37	4.79	86.78	5.07	91.88	5.35	102.09	5.63	112.30	6.48	117.40	6.76	122.51	7.04								
	32	86.64	4.89	85.92	5.17	90.97	5.46	101.08	5.75	111.19	6.61	116.24	6.90	121.29	7.18								
	41	84.94	4.98	85.07	5.28	90.07	5.57	100.08	5.86	110.09	6.74	115.09	7.04	120.09	7.33								
	50	83.27	5.09	84.22	5.39	89.18	5.68	99.09	5.98	109.00	6.88	113.95	7.18	118.90	7.48								
	65	81.64	5.19	83.39	5.50	88.30	5.80	98.11	6.11	107.92	7.02	112.82	7.33	117.73	7.63								
	75	80.04	5.30	82.56	5.61	87.42	5.92	97.13	6.23	106.85	7.17	111.70	7.48	116.56	7.79								
	77	78.47	5.40	81.75	5.72	86.56	6.04	96.17	6.36	105.79	7.31	110.60	7.63	115.41	7.95								
	85	76.93	5.51	80.94	5.84	85.70	6.16	95.22	6.49	104.74	7.46	109.50	7.79	114.26	8.11								
	95	75.42	5.57	80.14	5.90	84.85	6.23	94.28	6.55	103.71	7.54	108.42	7.86	113.13	8.19								
105	71.65	5.86	76.13	6.21	80.61	6.55	89.56	6.90	98.52	7.93	103.00	8.28	107.48	8.62									
109	67.88	6.19	72.12	6.55	76.37	6.92	84.85	7.28	93.34	8.37	97.58	8.74	101.82	9.10									
115	68.70	6.34	73.00	6.71	77.29	7.09	85.88	7.46	94.47	8.58	98.76	8.95	103.05	9.33									
122	52.80	6.96	56.10	7.37	59.40	7.78	65.99	8.19	72.59	9.42	75.89	9.83	79.19	10.24									

Outdoor Ambient Temperature		Indoor Ambient Temperature of WB(oC WB)																																																																																																																																																																																																																																																																																																																																																																																																																																																																																																																													
		57(13.9)			61(16.1)			64(17.8)			67(19.4)			70(21.1)			72(22.2)			75 (23.9)																																																																																																																																																																																																																																																																																																																																																																																																																																																																																																											
		TC	Pi	KW	TC	Pi	KW	TC	Pi	KW	TC	Pi	KW	TC	Pi	KW	TC	Pi	KW	TC	Pi	KW																																																																																																																																																																																																																																																																																																																																																																																																																																																																																																									
Combination	°F DB	°C DB																																																																																																																																																																																																																																																																																																																																																																																																																																																																																																																													
	-4	-20	84.79	3.85	78.50	4.07	83.12	4.30	92.36	4.53	101.59	5.20	106.21	5.43	110.83	5.66	5	-15	82.32	3.89	77.73	4.11	82.30	4.34	91.44	4.57	100.59	5.26	105.16	5.49	109.73	5.71	14	-10	79.92	3.96	76.96	4.20	81.48	4.43	90.54	4.66	99.59	5.36	104.12	5.60	108.64	5.83	23	-5	77.59	4.05	76.19	4.28	80.68	4.52	89.64	4.76	98.60	5.47	103.09	5.71	107.57	5.95	32	0	76.07	4.13	75.44	4.37	79.88	4.61	88.75	4.86	97.63	5.59	102.06	5.83	106.50	6.07	41	5	74.58	4.21	74.69	4.46	79.09	4.71	87.87	4.96	96.66	5.70	101.05	5.95	105.45	6.19	50	10	73.12	4.30	73.95	4.55	78.30	4.80	87.00	5.06	95.70	5.82	100.05	6.07	104.40	6.32	65	18.3	71.68	4.39	73.22	4.64	77.53	4.90	86.14	5.16	94.76	5.93	99.06	6.19	103.37	6.45	75	23.8	70.28	4.48	72.50	4.74	76.76	5.00	85.29	5.27	93.82	6.06	98.08	6.32	102.35	6.58	77	25	68.90	4.57	71.78	4.84	76.00	5.10	84.44	5.37	92.89	6.18	97.11	6.45	101.33	6.72	85	29.4	67.55	4.66	71.07	4.93	75.25	5.21	83.61	5.48	91.97	6.31	96.15	6.58	100.33	6.85	95	35	66.22	4.71	70.36	4.98	74.50	5.26	82.78	5.54	91.06	6.37	95.20	6.65	99.34	6.92	105	41	62.91	4.96	66.85	5.25	70.78	5.54	78.64	5.83	86.51	6.70	90.44	7.00	94.37	7.29	109	42.7	59.60	5.23	63.33	5.54	67.05	5.85	74.50	6.15	81.95	7.08	85.68	7.38	89.40	7.69	115	46	60.21	5.09	63.97	5.39	67.74	5.69	75.26	5.99	82.79	6.89	86.55	7.19	90.32	7.49	122	50	46.36	5.88	49.25	6.23	52.15	6.58	57.95	6.92	63.74	7.96	66.64	8.31	69.54	8.65	-4	-20	73.01	3.14	67.60	3.33	71.58	3.51	79.53	3.70	87.48	4.25	91.46	4.43	95.43	4.62	5	-15	70.88	3.17	66.93	3.36	70.87	3.55	78.74	3.73	86.62	4.29	90.55	4.48	94.49	4.67	14	-10	68.82	3.24	66.27	3.43	70.17	3.62	77.96	3.81	85.76	4.38	89.66	4.57	93.55	4.76	23	-5	66.82	3.30	65.61	3.50	69.47	3.69	77.19	3.89	84.91	4.47	88.77	4.66	92.63	4.86	32	0	65.51	3.37	64.96	3.57	68.78	3.77	76.43	3.97	84.07	4.56	87.89	4.76	91.71	4.96	41	5	64.22	3.44	64.32	3.64	68.10	3.84	75.67	4.05	83.24	4.65	87.02	4.86	90.80	5.06	50	10	62.96	3.51	63.68	3.72	67.43	3.92	74.92	4.13	82.41	4.75	86.16	4.96	89.90	5.16	65	18.3	61.73	3.58	63.05	3.79	66.76	4.00	74.18	4.21	81.60	4.85	85.30	5.06	89.01	5.27	75	23.8	60.52	3.66	62.43	3.87	66.10	4.09	73.44	4.30	80.79	4.95	84.46	5.16	88.13	5.38	77	25	59.33	3.73	61.81	3.95	65.44	4.17	72.72	4.39	79.99	5.05	83.62	5.27	87.26	5.48	85	29.4	58.17	3.81	61.20	4.03	64.80	4.25	72.00	4.48	79.20	5.15	82.80	5.37	86.40	5.60	95	35	57.03	3.84	60.59	4.07	64.15	4.30	71.28	4.52	78.41	5.20	81.98	5.43	85.54	5.65	105	41	54.18	4.05	57.56	4.28	60.95	4.52	67.72	4.76	74.49	5.47	77.88	5.71	81.26	5.95	109	42.7	51.32	4.27	54.53	4.52	57.74	4.77	64.15	5.03	70.57	5.78	73.78	6.03	76.99	6.28	115	46	53.26	4.38	56.59	4.63	59.92	4.89	66.58	5.15	73.24	5.92	76.57	6.18	79.90	6.44	122	50	39.92	4.81	42.41	5.09	44.91	5.37	49.90	5.65	54.89	6.50	57.38	6.78	59.88

Combination	Outdoor Ambient Temperature		Indoor Ambient Temperature of F WB(oC WB)																													
			57(13.9)				61(16.1)				64(17.8)				67(19.4)				70(21.1)				72(22.2)				75 (23.9)					
	°F DB	°C DB	TC	KBTU	PI	kW	TC	KBTU	PI	kW	TC	KBTU	PI	kW	TC	KBTU	PI	kW	TC	KBTU	PI	kW	TC	KBTU	PI	kW	TC	KBTU	PI	kW		
	-4	-20	58.88	2.56	2.72	54.52	2.87	64.14	3.02	70.55	3.47	73.76	3.62	76.96	3.77																	
	5	-15	57.17	2.59	2.74	53.98	2.90	63.50	3.05	69.85	3.50	73.03	3.66	76.20	3.81																	
	14	-10	55.50	2.64	2.80	53.44	2.95	62.87	3.11	69.16	3.58	72.30	3.73	75.45	3.89																	
	23	-5	53.88	2.70	2.86	52.91	3.01	62.25	3.17	68.47	3.65	71.59	3.81	74.70	3.97																	
	32	0	52.83	2.75	2.91	52.39	3.08	61.63	3.24	67.80	3.72	70.88	3.89	73.96	4.05																	
	41	5	51.79	2.81	2.97	51.87	3.14	61.02	3.30	67.13	3.80	70.18	3.96	73.23	4.13																	
	50	10	50.78	2.87	3.03	51.36	3.20	60.42	3.37	66.46	3.88	69.48	4.05	72.50	4.21																	
	65	18.3	49.78	2.92	3.10	50.85	3.27	59.82	3.44	65.80	3.96	68.79	4.13	71.78	4.30																	
	75	23.8	48.80	2.98	3.16	50.34	3.33	59.23	3.51	65.15	4.04	68.11	4.21	71.07	4.39																	
	77	25	47.85	3.04	3.22	49.85	3.40	58.64	3.58	64.51	4.12	67.44	4.30	70.37	4.48																	
	85	29.4	46.91	3.11	3.29	49.35	3.47	58.06	3.66	63.87	4.20	66.77	4.39	69.67	4.57																	
	95	35	45.99	3.14	3.32	48.86	3.51	57.49	3.69	63.24	4.25	66.11	4.43	68.98	4.62																	
	105	41	43.69	3.30	3.50	46.42	3.69	54.61	3.89	60.07	4.47	62.80	4.66	65.53	4.86																	
	109	42.7	41.39	3.49	3.69	43.98	3.90	51.74	4.10	56.91	4.72	59.50	4.92	62.09	5.13																	
	115	46	40.74	3.39	3.59	43.29	3.79	50.93	3.99	56.02	4.59	58.57	4.79	61.11	4.99																	
	122	50	32.19	3.92	4.15	34.20	4.38	40.24	4.62	44.26	5.31	46.28	5.54	48.29	5.77																	

50%

MVHQ144ME4CA
460v cooling capacity

Combination	Outdoor Ambient Temperature °F DB °C DB	Indoor Ambient Temperature of WB(oC WB)													
		57(13.9)		61(16.1)		64(17.8)		67(19.4)		70(21.1)		72(22.2)		75 (23.9)	
		TC	PI	TC	PI	TC	PI	TC	PI	TC	PI	TC	PI	TC	PI
		KBTU	kW	KBTU	kW	KBTU	kW	KBTU	kW	KBTU	kW	KBTU	kW	KBTU	kW
130%	-4	151.20	8.26	160.65	8.75	170.10	9.23	189.01	9.72	207.91	11.18	217.36	11.66	226.81	12.15
	5	146.80	8.34	155.98	8.84	165.15	9.33	183.50	9.82	201.85	11.29	211.03	11.78	220.20	12.27
	14	142.52	8.51	151.43	9.02	160.34	9.52	178.16	10.02	195.97	11.52	204.88	12.02	213.79	12.52
	23	138.37	8.69	147.02	9.20	155.67	9.71	172.97	10.22	190.26	11.75	198.91	12.27	207.56	12.78
	32	135.66	8.87	144.14	9.39	152.62	9.91	169.58	10.43	186.53	11.99	195.01	12.52	203.49	13.04
	41	133.00	9.05	141.31	9.58	149.63	10.11	166.25	10.64	182.88	12.24	191.19	12.77	199.50	13.30
	50	130.39	9.23	138.54	9.77	146.69	10.32	162.99	10.86	179.29	12.49	187.44	13.03	195.59	13.58
	65	127.84	9.42	135.83	9.97	143.82	10.53	159.79	11.08	175.77	12.74	183.76	13.30	191.75	13.85
	75	125.33	9.61	133.16	10.18	141.00	10.74	156.66	11.31	172.33	13.00	180.16	13.57	187.99	14.14
	77	122.87	9.81	130.55	10.38	138.23	10.96	153.59	11.54	168.95	13.27	176.63	13.85	184.31	14.42
	85	120.46	10.01	127.99	10.60	135.52	11.19	150.58	11.77	165.64	13.54	173.16	14.13	180.69	14.72
	95	118.10	10.11	125.48	10.70	132.86	11.30	147.63	11.89	162.39	13.68	169.77	14.27	177.15	14.87
	105	112.20	10.64	119.21	11.27	126.22	11.89	140.24	12.52	154.27	14.40	161.28	15.02	168.29	15.65
	109	106.29	11.23	112.93	11.89	119.58	12.55	132.86	13.21	146.15	15.20	152.79	15.86	159.44	16.52
115	101.16	11.51	107.48	12.19	113.80	12.86	126.44	13.54	139.09	15.57	145.41	16.25	151.73	16.93	
122	82.67	12.64	87.84	13.38	93.00	14.12	103.34	14.87	113.67	17.10	118.84	17.84	124.01	18.58	
120%	-4	148.38	8.18	157.65	8.66	166.93	9.14	185.47	9.62	204.02	11.07	213.29	11.55	222.57	12.03
	5	144.06	8.26	153.06	8.75	162.06	9.23	180.07	9.72	198.08	11.18	207.08	11.66	216.08	12.15
	14	139.86	8.43	148.60	8.93	157.34	9.42	174.83	9.92	192.31	11.41	201.05	11.90	209.79	12.40
	23	135.79	8.60	144.27	9.11	152.76	9.62	169.73	10.12	186.71	11.64	195.19	12.15	203.68	12.65
	32	133.12	8.78	141.44	9.30	149.76	9.81	166.41	10.33	183.05	11.88	191.37	12.39	199.69	12.91
	41	130.51	8.96	138.67	9.48	146.83	10.01	163.14	10.54	179.46	12.12	187.61	12.65	195.77	13.17
	50	127.96	9.14	135.95	9.68	143.95	10.22	159.94	10.75	175.94	12.37	183.94	12.90	191.93	13.44
	65	125.45	9.33	133.29	9.88	141.13	10.42	156.81	10.97	172.49	12.62	180.33	13.17	188.17	13.72
	75	122.99	9.52	130.67	10.08	138.36	10.64	153.73	11.20	169.11	12.88	176.79	13.44	184.48	14.00
	77	120.57	9.71	128.11	10.28	135.65	10.85	150.72	11.43	165.79	13.14	173.33	13.71	180.86	14.28
	85	118.21	9.91	125.60	10.49	132.99	11.08	147.76	11.66	162.54	13.41	169.93	13.99	177.32	14.57
	95	115.89	10.01	123.14	10.60	130.38	11.19	144.87	11.78	159.35	13.54	166.60	14.13	173.84	14.72
	105	110.10	10.54	116.98	11.16	123.86	11.78	137.62	12.40	151.39	14.26	158.27	14.88	165.15	15.50
	109	104.30	11.12	110.82	11.78	117.34	12.43	130.38	13.09	143.42	15.05	149.94	15.70	156.46	16.36
115	97.26	11.40	103.34	12.07	109.42	12.74	121.58	13.41	133.74	15.42	139.82	16.09	145.90	16.76	
122	81.12	12.51	86.20	13.25	91.27	13.98	101.41	14.72	111.55	16.93	116.62	17.66	121.69	18.40	

Combination	Outdoor Ambient Temperature °F DB	Indoor Ambient Temperature of F WB(oC WB)																	
		57(13.9)		61(16.1)		64(17.8)		67(19.4)		70(21.1)		72(22.2)		75 (23.9)					
		TC	PI	TC	PI	TC	PI	TC	PI	TC	PI	TC	PI	TC	PI				
	-4	127.18	6.72	135.13	7.12	143.08	7.51	158.98	7.91	174.87	9.09	182.82	9.49	190.77	9.89				
	5	123.48	6.79	131.19	7.19	138.91	7.59	154.35	7.99	169.78	9.19	177.50	9.59	185.22	9.99				
	14	119.88	6.93	127.37	7.34	134.87	7.74	149.85	8.15	164.84	9.37	172.33	9.78	179.82	10.19				
	23	116.39	7.07	123.66	7.49	130.94	7.90	145.49	8.32	160.03	9.57	167.31	9.98	174.58	10.40				
	32	114.11	7.21	121.24	7.64	128.37	8.06	142.63	8.49	156.90	9.76	164.03	10.18	171.16	10.61				
	41	111.87	7.36	118.86	7.79	125.85	8.23	139.84	8.66	153.82	9.96	160.81	10.39	167.80	10.83				
	50	109.68	7.51	116.53	7.95	123.39	8.40	137.09	8.84	150.80	10.16	157.66	10.60	164.51	11.05				
	65	107.53	7.66	114.25	8.12	120.97	8.57	134.41	9.02	147.85	10.37	154.57	10.82	161.29	11.27				
	75	105.42	7.82	112.01	8.28	118.59	8.74	131.77	9.20	144.95	10.58	151.54	11.04	158.13	11.50				
	77	103.35	7.98	109.81	8.45	116.27	8.92	129.19	9.39	142.11	10.80	148.57	11.27	155.02	11.74				
	85	101.32	8.14	107.66	8.62	113.99	9.10	126.65	9.58	139.32	11.02	145.65	11.50	151.99	11.98				
	95	99.34	8.23	105.55	8.71	111.75	9.19	124.17	9.68	136.59	11.13	142.80	11.61	149.01	12.10				
	105	94.37	8.66	100.27	9.17	106.17	9.68	117.96	10.19	129.76	11.72	135.66	12.22	141.55	12.73				
	109	89.40	9.14	94.99	9.68	100.58	10.22	111.75	10.75	122.93	12.37	128.52	12.90	134.10	13.44				
	115	86.15	9.03	91.53	9.56	96.92	10.09	107.69	10.62	118.45	12.21	123.84	12.74	129.22	13.27				
	122	69.54	10.28	73.88	10.89	78.23	11.49	86.92	12.10	95.61	13.91	99.96	14.52	104.30	15.12				
	-4	115.88	5.75	123.12	6.09	130.36	6.43	144.85	6.76	159.33	7.78	166.57	8.12	173.81	8.46				
	5	112.50	5.81	119.53	6.15	126.56	6.49	140.63	6.83	154.69	7.86	161.72	8.20	168.75	8.54				
	14	109.22	5.93	116.05	6.28	122.88	6.62	136.53	6.97	150.18	8.02	157.01	8.37	163.84	8.72				
	23	106.04	6.05	112.67	6.40	119.30	6.76	132.55	7.11	145.81	8.18	152.44	8.54	159.06	8.89				
	32	103.96	6.17	110.46	6.53	116.96	6.90	129.95	7.26	142.95	8.35	149.45	8.71	155.95	9.08				
	41	101.93	6.30	108.30	6.67	114.67	7.04	127.41	7.41	140.15	8.52	146.52	8.89	152.89	9.26				
	50	99.93	6.43	106.17	6.80	112.42	7.18	124.91	7.56	137.40	8.69	143.64	9.07	149.89	9.45				
	65	97.97	6.56	104.09	6.94	110.21	7.33	122.46	7.71	134.71	8.87	140.83	9.26	146.95	9.64				
	75	96.05	6.69	102.05	7.08	108.05	7.48	120.06	7.87	132.06	9.05	138.07	9.45	144.07	9.84				
	77	94.16	6.83	100.05	7.23	105.93	7.63	117.70	8.03	129.47	9.24	135.36	9.64	141.24	10.04				
	85	92.32	6.97	98.09	7.38	103.86	7.79	115.40	8.20	126.94	9.43	132.71	9.83	138.48	10.24				
	95	90.51	7.04	96.16	7.45	101.82	7.86	113.13	8.28	124.45	9.52	130.10	9.93	135.76	10.35				
	105	85.98	7.41	91.36	7.84	96.73	8.28	107.48	8.71	118.22	10.02	123.60	10.46	128.97	10.89				
	109	81.46	7.82	86.55	8.28	91.64	8.74	101.82	9.20	112.00	10.58	117.09	11.04	122.18	11.50				
	115	82.44	8.01	87.60	8.48	92.75	8.95	103.05	9.43	113.36	10.84	118.51	11.31	123.67	11.78				
	122	63.35	8.80	67.31	9.31	71.27	9.83	79.19	10.35	87.11	11.90	91.07	12.42	95.03	12.94				

90%

80%

Combination	Outdoor Ambient Temperature		Indoor Ambient Temperature of WB(oC WB)																																																																																																																																																																																																																																																															
			57(13.9)				61(16.1)				64(17.8)				67(19.4)				70(21.1)				72(22.2)				75 (23.9)																																																																																																																																																																																																																																							
			TC	PI	KBTU	kW	TC	PI	KBTU	kW	TC	PI	KBTU	kW	TC	PI	KBTU	kW	TC	PI	KBTU	kW	TC	PI	KBTU	kW	TC	PI	KBTU	kW																																																																																																																																																																																																																																				
	°F DB	°C DB	-4	-20	101.74	4.86	108.10	5.15	114.46	5.43	127.18	5.72	139.90	6.57	146.26	6.86	152.62	7.15	5	-15	98.78	4.91	104.96	5.20	111.13	5.49	123.48	5.77	135.82	6.64	142.00	6.93	148.17	7.22	14	-10	95.90	5.01	101.90	5.30	107.89	5.60	119.88	5.89	131.87	6.78	137.86	7.07	143.86	7.37	23	-5	93.11	5.11	98.93	5.41	104.75	5.71	116.39	6.01	128.03	6.91	133.85	7.22	139.67	7.52	32	0	91.29	5.22	96.99	5.52	102.70	5.83	114.11	6.14	125.52	7.06	131.22	7.36	136.93	7.67	41	5	89.50	5.32	95.09	5.63	100.68	5.95	111.87	6.26	123.06	7.20	128.65	7.51	134.24	7.83	50	10	87.74	5.43	93.22	5.75	98.71	6.07	109.68	6.39	120.64	7.35	126.13	7.67	131.61	7.99	65	18.3	86.02	5.54	91.40	5.87	96.77	6.19	107.53	6.52	118.28	7.50	123.65	7.82	129.03	8.15	75	23.8	84.33	5.65	89.60	5.99	94.88	6.32	105.42	6.65	115.96	7.65	121.23	7.98	126.50	8.31	77	25	82.68	5.77	87.85	6.11	93.01	6.45	103.35	6.79	113.68	7.81	118.85	8.15	124.02	8.48	85	29.4	81.06	5.89	86.12	6.23	91.19	6.58	101.32	6.93	111.46	7.96	116.52	8.31	121.59	8.66	95	35	79.47	5.95	84.44	6.30	89.40	6.65	99.34	7.00	109.27	8.05	114.24	8.40	119.20	8.75	105	41	75.50	6.26	80.21	6.63	84.93	7.00	94.37	7.36	103.81	8.47	108.53	8.84	113.24	9.21	109	42.7	71.52	6.61	75.99	7.00	80.46	7.38	89.40	7.77	98.34	8.94	102.81	9.33	107.28	9.72	115	46	72.25	6.43	76.77	6.81	81.29	7.19	90.32	7.57	99.35	8.70	103.87	9.08	108.38	9.46	122	50	55.63	7.43	59.11	7.87	62.58	8.31	69.54	8.75	76.49	10.06	79.97	10.49	83.44	10.93
			-4	-20	87.61	3.97	93.09	4.20	98.57	4.44	109.52	4.67	120.47	5.37	125.94	5.60	131.42	5.84	5	-15	85.06	4.01	90.38	4.24	95.69	4.48	106.33	4.72	116.96	5.42	122.28	5.66	127.59	5.89	14	-10	82.58	4.09	87.75	4.33	92.91	4.57	103.23	4.81	113.55	5.53	118.71	5.77	123.88	6.02	23	-5	80.18	4.17	85.19	4.42	90.20	4.66	100.22	4.91	110.25	5.65	115.26	5.89	120.27	6.14	32	0	78.61	4.26	83.52	4.51	88.43	4.76	98.26	5.01	108.08	5.76	113.00	6.01	117.91	6.26	41	5	77.07	4.35	81.88	4.60	86.70	4.86	96.33	5.11	105.97	5.88	110.78	6.14	115.60	6.39	50	10	75.55	4.43	80.28	4.70	85.00	4.96	94.44	5.22	103.89	6.00	108.61	6.26	113.33	6.52	65	18.3	74.07	4.53	78.70	4.79	83.33	5.06	92.59	5.32	101.85	6.12	106.48	6.39	111.11	6.65	75	23.8	72.62	4.62	77.16	4.89	81.70	5.16	90.78	5.43	99.85	6.25	104.39	6.52	108.93	6.79	77	25	71.20	4.71	75.65	4.99	80.10	5.27	89.00	5.54	97.90	6.37	102.35	6.65	106.79	6.93	85	29.4	69.80	4.81	74.16	5.09	78.53	5.37	87.25	5.66	95.98	6.50	100.34	6.79	104.70	7.07	95	35	68.43	4.86	72.71	5.14	76.99	5.43	85.54	5.71	94.09	6.57	98.37	6.86	102.65	7.14	105	41	65.01	5.11	69.07	5.41	73.14	5.71	81.26	6.01	89.39	6.92	93.45	7.22	97.52	7.52	109	42.7	61.59	5.40	65.44	5.71	69.29	6.03	76.99	6.35	84.68	7.30	88.53	7.62	92.38	7.94	115	46	63.92	5.53	67.91	5.85	71.91	6.18	79.90	6.50	87.89	7.48	91.88	7.81	95.88	8.13	122	50	47.90	6.07	50.90	6.43	53.89	6.78	59.88	7.14	65.87	8.21	68.86	8.57	71.85	8.93

Combination	Outdoor Ambient Temperature		Indoor Ambient Temperature of F WB(oC WB)																									
			57(13.9)			61(16.1)			64(17.8)			67(19.4)			70(21.1)			72(22.2)			75 (23.9)							
	°F DB	°C DB	TC	KBTU	PI	KW	TC	KBTU	PI	KW	TC	KBTU	PI	KW	TC	KBTU	PI	KW	TC	KBTU	PI	KW	TC	KBTU	PI	KW		
50%	-4	-20	70.66	3.24	3.43	79.49	3.62	3.81	88.32	3.81	97.15	4.38	101.57	4.57	105.98	4.76												
	5	-15	68.60	3.27	3.46	77.17	3.66	3.85	85.75	3.85	94.32	4.43	98.61	4.62	102.90	4.81												
	14	-10	66.60	3.34	3.54	74.93	3.73	3.93	83.25	3.93	91.58	4.52	95.74	4.71	99.90	4.91												
	23	-5	64.66	3.41	3.61	72.74	3.81	4.01	80.83	4.01	88.91	4.61	92.95	4.81	96.99	5.01												
	32	0	63.39	3.48	3.68	71.32	3.89	4.09	79.24	4.09	87.16	4.70	91.13	4.91	95.09	5.11												
	41	5	62.15	3.55	3.76	69.92	3.97	4.17	77.69	4.17	85.46	4.80	89.34	5.01	93.22	5.22												
	50	10	60.93	3.62	3.83	68.55	4.05	4.26	76.16	4.26	83.78	4.90	87.59	5.11	91.40	5.32												
	65	18.3	59.74	3.69	3.91	67.20	4.13	4.35	74.67	4.35	82.14	5.00	85.87	5.21	89.60	5.43												
	75	23.8	58.56	3.77	3.99	65.89	4.21	4.43	73.21	4.43	80.53	5.10	84.19	5.32	87.85	5.54												
	77	25	57.42	3.85	4.07	64.59	4.30	4.53	71.77	4.53	78.95	5.20	82.54	5.43	86.12	5.66												
	85	29.4	56.29	3.92	4.16	63.33	4.39	4.62	70.36	4.62	77.40	5.31	80.92	5.54	84.44	5.77												
	95	35	55.19	3.96	4.20	62.09	4.43	4.66	68.98	4.66	75.88	5.36	79.33	5.60	82.78	5.83												
105	41	52.43	4.17	4.42	58.98	4.66	4.91	65.53	4.91	72.09	5.65	75.36	5.89	78.64	6.14													
109	42.7	49.67	4.40	4.66	55.88	4.92	5.18	62.09	5.18	68.29	5.96	71.40	6.22	74.50	6.48													
115	46	48.89	4.29	4.54	55.00	4.79	5.04	61.11	5.04	67.22	5.80	70.28	6.05	73.33	6.31													
122	50	38.63	4.96	5.25	43.46	5.54	5.83	48.29	5.83	53.12	6.70	55.53	7.00	57.95	7.29													

Combination	Outdoor Ambient Temperature °F DB °C DB	Indoor Ambient Temperature of F WB(oC WB)																					
		57(13.9)			61(16.1)			64(17.8)			67(19.4)			70(21.1)			72(22.2)			75 (23.9)			
		TC	KBTU	PI	TC	KBTU	PI	TC	KBTU	PI	TC	KBTU	PI	TC	KBTU	PI	TC	KBTU	PI	TC	KBTU	PI	
90%	-4	147.52	7.78	156.74	8.24	165.96	8.70	184.40	9.16	202.84	10.53	212.06	10.99	221.28	11.45								
	5	143.23	7.86	152.18	8.32	161.13	8.79	179.03	9.25	196.93	10.64	205.89	11.10	214.84	11.56								
	14	139.05	8.02	147.74	8.49	156.44	8.97	173.82	9.44	191.20	10.85	199.89	11.32	208.58	11.80								
	23	135.00	8.19	143.44	8.67	151.88	9.15	168.75	9.63	185.63	11.07	194.07	11.56	202.51	12.04								
	32	132.36	8.35	140.63	8.84	148.90	9.34	165.45	9.83	181.99	11.30	190.26	11.79	198.53	12.28								
	41	129.76	8.52	137.87	9.02	145.98	9.53	162.20	10.03	178.42	11.53	186.53	12.03	194.64	12.53								
	50	127.22	8.70	135.17	9.21	143.12	9.72	159.02	10.23	174.92	11.77	182.87	12.28	190.83	12.79								
	65	124.72	8.87	132.52	9.40	140.31	9.92	155.90	10.44	171.49	12.01	179.29	12.53	187.08	13.05								
	75	122.28	9.06	129.92	9.59	137.56	10.12	152.85	10.65	168.13	12.25	175.77	12.78	183.42	13.32								
	77	119.88	9.24	127.37	9.78	134.86	10.33	149.85	10.87	164.83	12.50	172.33	13.05	179.82	13.59								
	85	117.53	9.43	124.87	9.98	132.22	10.54	146.91	11.09	161.60	12.76	168.95	13.31	176.29	13.87								
	95	115.22	9.52	122.43	10.08	129.63	10.64	144.03	11.21	158.43	12.89	165.63	13.45	172.84	14.01								
	105	109.46	10.03	116.30	10.62	123.15	11.21	136.83	11.79	150.51	13.56	157.35	14.15	164.19	14.74								
	109	103.70	10.58	110.18	11.21	116.66	11.83	129.63	12.45	142.59	14.32	149.07	14.94	155.55	15.56								
	115	99.93	10.45	106.17	11.07	112.42	11.68	124.91	12.30	137.40	14.14	143.65	14.76	149.89	15.37								
	122	80.66	11.91	85.70	12.61	90.74	13.31	100.82	14.01	110.90	16.11	115.94	16.81	120.99	17.51								
80%	-4	134.41	6.66	142.81	7.05	151.21	7.44	168.01	7.83	184.81	9.01	193.21	9.40	201.61	9.79								
	5	130.49	6.72	138.65	7.12	146.81	7.52	163.12	7.91	179.43	9.10	187.59	9.49	195.74	9.89								
	14	126.69	6.86	134.61	7.27	142.53	7.67	158.37	8.07	174.20	9.28	182.12	9.69	190.04	10.09								
	23	123.00	7.00	130.69	7.41	138.38	7.83	153.75	8.24	169.13	9.47	176.82	9.89	184.50	10.30								
	32	120.59	7.15	128.13	7.57	135.67	7.99	150.74	8.41	165.81	9.67	173.35	10.09	180.89	10.51								
	41	118.23	7.29	125.62	7.72	133.01	8.15	147.78	8.58	162.56	9.86	169.95	10.29	177.34	10.72								
	50	115.91	7.44	123.15	7.88	130.40	8.31	144.89	8.75	159.37	10.07	166.62	10.50	173.86	10.94								
	65	113.64	7.59	120.74	8.04	127.84	8.48	142.04	8.93	156.25	10.27	163.35	10.72	170.45	11.16								
	75	111.41	7.75	118.37	8.20	125.33	8.66	139.26	9.11	153.19	10.48	160.15	10.94	167.11	11.39								
	77	109.22	7.90	116.05	8.37	122.88	8.83	136.53	9.30	150.18	10.69	157.01	11.16	163.83	11.62								
	85	107.08	8.07	113.77	8.54	120.47	9.01	133.85	9.49	147.24	10.91	153.93	11.39	160.62	11.86								
	95	104.98	8.15	111.54	8.63	118.10	9.11	131.23	9.59	144.35	11.02	150.91	11.50	157.47	11.98								
	105	99.73	8.58	105.97	9.08	112.20	9.59	124.67	10.09	137.13	11.60	143.37	12.11	149.60	12.61								
	109	94.48	9.05	100.39	9.59	106.29	10.12	118.10	10.65	129.92	12.25	135.82	12.78	141.73	13.31								
	115	95.63	9.28	101.61	9.82	107.58	10.37	119.54	10.91	131.49	12.55	137.47	13.10	143.44	13.64								
	122	73.49	10.18	78.08	10.78	82.67	11.38	91.86	11.98	101.05	13.78	105.64	14.38	110.23	14.98								

Combination	Outdoor Ambient Temperature		Indoor Ambient Temperature of WB(oC WB)																																																																																																																																																																																																																																																																																																																																																																																																																																																																																																																																		
			57(13.9)				61(16.1)				64(17.8)				67(19.4)				70(21.1)				72(22.2)				75 (23.9)																																																																																																																																																																																																																																																																																																																																																																																																																																																																																																										
			TC	PI	KBTU	kW	TC	PI	KBTU	kW	TC	PI	KBTU	kW	TC	PI	KBTU	kW	TC	PI	KBTU	kW	TC	PI	KBTU	kW	TC	PI	KBTU	kW																																																																																																																																																																																																																																																																																																																																																																																																																																																																																																							
	°F DB	°C DB	-4	-20	118.02	5.63	125.39	5.96	132.77	6.29	147.52	6.62	162.27	7.61	169.65	7.94	177.03	8.27	5	-15	114.58	5.68	121.74	6.02	128.90	6.35	143.23	6.69	157.55	7.69	164.71	8.02	171.87	8.36	14	-10	111.24	5.80	118.20	6.14	125.15	6.48	139.05	6.82	152.96	7.85	159.91	8.19	166.86	8.53	23	-5	108.00	5.92	114.75	6.27	121.50	6.61	135.00	6.96	148.50	8.01	155.25	8.35	162.00	8.70	32	0	105.89	6.04	112.50	6.39	119.12	6.75	132.36	7.10	145.59	8.17	152.21	8.52	158.83	8.88	41	5	103.81	6.16	110.30	6.52	116.78	6.89	129.76	7.25	142.74	8.34	149.23	8.70	155.71	9.06	50	10	101.77	6.29	108.13	6.66	114.50	7.03	127.22	7.40	139.94	8.51	146.30	8.88	152.66	9.25	65	18.3	99.78	6.42	106.01	6.79	112.25	7.17	124.72	7.55	137.19	8.68	143.43	9.06	149.67	9.43	75	23.8	97.82	6.55	103.94	6.93	110.05	7.32	122.28	7.70	134.50	8.86	140.62	9.24	146.73	9.63	77	25	95.90	6.68	101.90	7.07	107.89	7.47	119.88	7.86	131.87	9.04	137.86	9.43	143.85	9.82	85	29.4	94.02	6.82	99.90	7.22	105.78	7.62	117.53	8.02	129.28	9.22	135.16	9.62	141.03	10.02	95	35	92.18	6.89	97.94	7.29	103.70	7.70	115.22	8.10	126.75	9.32	132.51	9.72	138.27	10.13	105	41	87.57	7.25	93.04	7.67	98.52	8.10	109.46	8.53	120.41	9.81	125.88	10.23	131.36	10.66	109	42.7	82.96	7.65	88.15	8.10	93.33	8.55	103.70	9.00	114.07	10.35	119.26	10.80	124.44	11.25	115	46	83.81	7.45	89.05	7.88	94.29	8.32	104.76	8.76	115.24	10.07	120.48	10.51	125.71	10.95	122	50	64.53	8.61	68.56	9.11	72.59	9.62	80.66	10.13	88.72	11.64	92.76	12.15	96.79	12.66				-4	-20	101.63	4.59	107.98	4.86	114.33	5.14	127.03	5.41	139.74	6.22	146.09	6.49	152.44	6.76	5	-15	98.67	4.64	104.83	4.91	111.00	5.19	123.33	5.46	135.67	6.28	141.83	6.55	148.00	6.83	14	-10	95.79	4.74	101.78	5.01	107.77	5.29	119.74	5.57	131.71	6.41	137.70	6.69	143.69	6.96	23	-5	93.00	4.83	98.81	5.12	104.63	5.40	116.25	5.69	127.88	6.54	133.69	6.82	139.50	7.11	32	0	91.18	4.93	96.88	5.22	102.58	5.51	113.97	5.80	125.37	6.67	131.07	6.96	136.77	7.25	41	5	89.39	5.03	94.98	5.33	100.56	5.62	111.74	5.92	122.91	6.81	128.50	7.10	134.09	7.40	50	10	87.64	5.13	93.12	5.44	98.59	5.74	109.55	6.04	120.50	6.95	125.98	7.25	131.46	7.55	65	18.3	85.92	5.24	91.29	5.55	96.66	5.86	107.40	6.16	118.14	7.09	123.51	7.40	128.88	7.70	75	23.8	84.24	5.35	89.50	5.66	94.76	5.98	105.29	6.29	115.82	7.23	121.09	7.55	126.35	7.86	77	25	82.58	5.46	87.74	5.78	92.91	6.10	103.23	6.42	113.55	7.38	118.71	7.70	123.88	8.02	85	29.4	80.96	5.57	86.02	5.89	91.08	6.22	101.21	6.55	111.33	7.53	116.39	7.86	121.45	8.19	95	35	79.38	5.62	84.34	5.95	89.30	6.28	99.22	6.62	109.14	7.61	114.10	7.94	119.06	8.27	105	41	75.41	5.92	80.12	6.27	84.83	6.62	94.26	6.96	103.69	8.01	108.40	8.36	113.11	8.70	109	42.7	71.44	6.25	75.90	6.62	80.37	6.98	89.30	7.35	98.23	8.45	102.69	8.82	107.16	9.19	115	46	74.14	6.40	78.77	6.78	83.41	7.15	92.67	7.53	101.94	8.66	106.58	9.04	111.21	9.41	122	50	55.56	7.03	59.04	7.44	62.51	7.86	69.45	8.27	76.40	9.51	79.87	9.92	83.35	10.34
			-4	-20	101.63	4.59	107.98	4.86	114.33	5.14	127.03	5.41	139.74	6.22	146.09	6.49	152.44	6.76	5	-15	98.67	4.64	104.83	4.91	111.00	5.19	123.33	5.46	135.67	6.28	141.83	6.55	148.00	6.83	14	-10	95.79	4.74	101.78	5.01	107.77	5.29	119.74	5.57	131.71	6.41	137.70	6.69	143.69	6.96	23	-5	93.00	4.83	98.81	5.12	104.63	5.40	116.25	5.69	127.88	6.54	133.69	6.82	139.50	7.11	32	0	91.18	4.93	96.88	5.22	102.58	5.51	113.97	5.80	125.37	6.67	131.07	6.96	136.77	7.25	41	5	89.39	5.03	94.98	5.33	100.56	5.62	111.74	5.92	122.91	6.81	128.50	7.10	134.09	7.40	50	10	87.64	5.13	93.12	5.44	98.59	5.74	109.55	6.04	120.50	6.95	125.98	7.25	131.46	7.55	65	18.3	85.92	5.24	91.29	5.55	96.66	5.86	107.40	6.16	118.14	7.09	123.51	7.40	128.88	7.70	75	23.8	84.24	5.35	89.50	5.66	94.76	5.98	105.29	6.29	115.82	7.23	121.09	7.55	126.35	7.86	77	25	82.58	5.46	87.74	5.78	92.91	6.10	103.23	6.42	113.55	7.38	118.71	7.70	123.88	8.02	85	29.4	80.96	5.57	86.02	5.89	91.08	6.22	101.21	6.55	111.33	7.53	116.39	7.86	121.45	8.19	95	35	79.38	5.62	84.34	5.95	89.30	6.28	99.22	6.62	109.14	7.61	114.10	7.94	119.06	8.27	105	41	75.41	5.92	80.12	6.27	84.83	6.62	94.26	6.96	103.69	8.01	108.40	8.36	113.11	8.70	109	42.7	71.44	6.25	75.90	6.62	80.37	6.98	89.30	7.35	98.23	8.45	102.69	8.82	107.16	9.19	115	46	74.14	6.40	78.77	6.78	83.41	7.15	92.67	7.53	101.94	8.66	106.58	9.04	111.21	9.41	122	50	55.56	7.03	59.04	7.44	62.51	7.86	69.45	8.27	76.40	9.51	79.87	9.92	83.35	10.34																																																																																																																																																																																																																																																																			

Combination	Outdoor Ambient Temperature		Indoor Ambient Temperature of F WB(oC WB)																																																																																																																																																																																																																																																
			57(13.9)				61(16.1)				64(17.8)				67(19.4)				70(21.1)				72(22.2)				75 (23.9)																																																																																																																																																																																																																								
			TC	PI	KBTU	kW	TC	PI	KBTU	kW	TC	PI	KBTU	kW	TC	PI	KBTU	kW	TC	PI	KBTU	kW	TC	PI	KBTU	kW	TC	PI	KBTU	kW																																																																																																																																																																																																																					
	°F DB	°C DB	-4	-20	81.96	3.75	3.97	87.08	3.97	4.19	102.45	4.41	112.69	5.07	117.81	5.30	122.93	5.52	5	-15	79.57	3.79	4.01	84.54	4.23	99.46	4.46	109.41	5.13	114.38	5.35	119.35	5.57	14	-10	77.25	3.87	4.09	86.91	4.32	96.56	4.55	106.22	5.23	111.05	5.46	115.88	5.69	23	-5	75.00	3.94	4.18	84.38	4.41	93.75	4.64	103.13	5.34	107.82	5.57	112.50	5.80	32	0	73.53	4.03	4.26	82.72	4.50	91.91	4.74	101.11	5.45	105.70	5.68	110.30	5.92	41	5	72.09	4.11	4.35	81.10	4.59	90.11	4.83	99.12	5.56	103.63	5.80	108.13	6.04	50	10	70.68	4.19	4.44	79.51	4.68	88.34	4.93	97.18	5.67	101.60	5.92	106.01	6.16	65	18.3	69.29	4.28	4.53	77.95	4.78	86.61	5.03	95.27	5.79	99.60	6.04	103.94	6.29	75	23.8	67.93	4.36	4.62	76.42	4.88	84.91	5.13	93.41	5.90	97.65	6.16	101.90	6.42	77	25	66.60	4.45	4.72	74.92	4.98	83.25	5.24	91.57	6.02	95.74	6.29	99.90	6.55	85	29.4	65.29	4.54	4.81	69.37	5.08	81.62	5.35	89.78	6.15	93.86	6.42	97.94	6.68	95	35	64.01	4.59	4.86	68.01	5.13	80.02	5.40	88.02	6.21	92.02	6.48	96.02	6.75	105	41	60.81	4.83	5.12	68.41	5.40	76.02	5.68	83.62	6.54	87.42	6.82	91.22	7.11	109	42.7	57.61	5.10	5.40	64.81	5.70	72.02	6.00	79.22	6.90	82.82	7.20	86.42	7.50	115	46	56.71	4.96	5.26	63.80	5.55	70.89	5.84	77.97	6.72	81.52	7.01	85.06	7.30	122	50	44.81	5.74	6.08	47.61	6.41	56.01	6.75	61.61	7.76	64.41	8.10	67.21	8.44

50%

MVHQ192ME4CA
460v cooling capacity

Combination	Outdoor Ambient Temperature °F DB / °C DB	Indoor Ambient Temperature of WB(oC WB)																					
		57(13.9)			61(16.1)			64(17.8)			67(19.4)			70(21.1)			72(22.2)			75 (23.9)			
		TC	KBTU	PI kW	TC	KBTU	PI kW	TC	KBTU	PI kW	TC	KBTU	PI kW	TC	KBTU	PI kW	TC	KBTU	PI kW	TC	KBTU	PI kW	
	-4	-20	201.94	10.56	214.56	11.18	227.18	11.80	252.42	12.42	277.67	14.28	290.29	14.90	302.91	15.52							
	5	-15	196.06	10.66	208.31	11.29	220.56	11.92	245.07	12.54	269.58	14.43	281.83	15.05	294.08	15.68							
	14	-10	190.35	10.88	202.24	11.52	214.14	12.16	237.93	12.80	261.73	14.72	273.62	15.36	285.52	16.00							
	23	-5	184.80	11.10	196.35	11.76	207.90	12.41	231.00	13.06	254.10	15.02	265.65	15.67	277.20	16.33							
	32	0	181.18	11.33	192.50	12.00	203.83	12.66	226.47	13.33	249.12	15.33	260.44	15.99	271.77	16.66							
	41	5	177.63	11.56	188.73	12.24	199.83	12.92	222.03	13.60	244.24	15.64	255.34	16.32	266.44	17.00							
	50	10	174.14	11.80	185.03	12.49	195.91	13.18	217.68	13.88	239.45	15.96	250.33	16.65	261.21	17.35							
	65	18.3	170.73	12.04	181.40	12.75	192.07	13.45	213.41	14.16	234.75	16.29	245.42	16.99	256.09	17.70							
	75	23.8	167.38	12.28	177.84	13.01	188.30	13.73	209.23	14.45	230.15	16.62	240.61	17.34	251.07	18.06							
	77	25	164.10	12.53	174.36	13.27	184.61	14.01	205.12	14.75	225.64	16.96	235.89	17.69	246.15	18.43							
	85	29.4	160.88	12.79	170.94	13.54	180.99	14.29	201.10	15.05	221.21	17.30	231.27	18.06	241.32	18.81							
	95	35	157.73	12.92	167.58	13.68	177.44	14.44	197.16	15.20	216.87	17.48	226.73	18.24	236.59	19.00							
	105	41	149.84	13.60	159.21	14.40	168.57	15.20	187.30	16.00	206.03	18.40	215.40	19.20	224.76	20.00							
	109	42.7	141.95	14.35	150.83	15.20	159.70	16.04	177.44	16.89	195.19	19.42	204.06	20.26	212.93	21.11							
	115	46	135.10	14.71	143.54	15.57	151.98	16.44	168.87	17.30	185.76	19.90	194.20	20.76	202.64	21.63							
	122	50	110.41	16.15	117.31	17.10	124.21	18.05	138.01	19.00	151.81	21.85	158.71	22.80	165.61	23.75							
	-4	-20	198.16	10.45	210.55	11.07	222.93	11.68	247.70	12.30	272.48	14.14	284.86	14.76	297.25	15.37							
	5	-15	192.39	10.56	204.42	11.18	216.44	11.80	240.49	12.42	264.54	14.28	276.56	14.91	288.59	15.53							
	14	-10	186.79	10.77	198.46	11.41	210.14	12.04	233.49	12.68	256.83	14.58	268.51	15.21	280.18	15.84							
	23	-5	181.35	10.99	192.68	11.64	204.02	12.29	226.68	12.93	249.35	14.87	260.69	15.52	272.02	16.17							
	32	0	177.79	11.22	188.90	11.88	200.02	12.54	222.24	13.20	244.46	15.18	255.58	15.84	266.69	16.50							
	41	5	174.31	11.45	185.20	12.12	196.09	12.79	217.88	13.47	239.67	15.49	250.56	16.16	261.46	16.83							
	50	10	170.89	11.68	181.57	12.37	192.25	13.05	213.61	13.74	234.97	15.80	245.65	16.49	256.33	17.18							
	65	18.3	167.54	11.92	178.01	12.62	188.48	13.32	209.42	14.02	230.36	16.13	240.83	16.83	251.31	17.53							
	75	23.8	164.25	12.16	174.52	12.88	184.78	13.59	205.32	14.31	225.85	16.45	236.11	17.17	246.38	17.89							
	77	25	161.03	12.41	171.10	13.14	181.16	13.87	201.29	14.60	221.42	16.79	231.48	17.52	241.55	18.25							
	85	29.4	157.87	12.66	167.74	13.41	177.61	14.15	197.34	14.90	217.08	17.13	226.94	17.88	236.81	18.62							
	95	35	154.78	12.79	164.45	13.54	174.13	14.30	193.47	15.05	212.82	17.31	222.49	18.06	232.17	18.81							
	105	41	147.04	13.46	156.23	14.26	165.42	15.05	183.80	15.84	202.18	18.22	211.37	19.01	220.56	19.80							
	109	42.7	139.30	14.21	148.01	15.05	156.71	15.89	174.13	16.72	191.54	19.23	200.24	20.07	208.95	20.90							
	115	46	129.90	14.56	138.02	15.42	146.14	16.28	162.38	17.13	178.61	19.70	186.73	20.56	194.85	21.42							
	122	50	108.35	15.99	115.12	16.93	121.89	17.87	135.43	18.81	148.97	21.63	155.75	22.57	162.52	23.51							

130%

120%

Combination	Outdoor Ambient Temperature °F DB °C DB	Indoor Ambient Temperature of WB(oC WB)																																																																																																																																																																																																																																																																																																																																																																																																																																																																			
		57(13.9)			61(16.1)			64(17.8)			67(19.4)			70(21.1)			72(22.2)			75 (23.9)																																																																																																																																																																																																																																																																																																																																																																																																																																																	
		TC	PI	kW	TC	PI	kW	TC	PI	kW	TC	PI	kW	TC	PI	kW	TC	PI	kW	TC	PI	kW																																																																																																																																																																																																																																																																																																																																																																																																																																															
110%	-4	-20	194.39	10.45	206.54	11.07	218.69	11.68	242.99	12.30	267.29	14.14	279.43	14.76	291.58	15.37	188.73	10.56	200.52	11.18	212.32	11.80	235.91	12.42	259.50	14.28	271.30	14.91	283.09	15.53	183.23	10.77	194.68	11.41	206.13	12.04	229.04	12.68	251.94	14.58	263.39	15.21	274.85	15.84	177.89	10.99	189.01	11.64	200.13	12.29	222.37	12.93	244.60	14.87	255.72	15.52	266.84	16.17	174.41	11.22	185.31	11.88	196.21	12.54	218.01	13.20	239.81	15.18	250.71	15.84	261.61	16.50	170.99	11.45	181.67	12.12	192.36	12.79	213.73	13.47	235.11	15.49	245.79	16.16	256.48	16.83	167.63	11.68	178.11	12.37	188.59	13.05	209.54	13.74	230.50	15.80	240.97	16.49	251.45	17.18	164.35	11.92	174.62	12.62	184.89	13.32	205.43	14.02	225.98	16.13	236.25	16.83	246.52	17.53	161.12	12.16	171.19	12.88	181.26	13.59	201.40	14.31	221.55	16.45	231.62	17.17	241.69	17.89	157.96	12.41	167.84	13.14	177.71	13.87	197.46	14.60	217.20	16.79	227.07	17.52	236.95	18.25	154.87	12.66	164.55	13.41	174.23	14.15	193.58	14.90	212.94	17.13	222.62	17.88	232.30	18.62	151.83	12.79	161.32	13.54	170.81	14.30	189.79	15.05	208.77	17.31	218.26	18.06	227.75	18.81	144.24	13.46	153.25	14.26	162.27	15.05	180.30	15.84	198.33	18.22	207.34	19.01	216.36	19.80	136.65	14.21	145.19	15.05	153.73	15.89	170.81	16.72	187.89	19.23	196.43	20.07	204.97	20.90	127.43	14.56	135.39	15.42	143.35	16.28	159.28	17.13	175.21	19.70	183.18	20.56	191.14	21.42	106.28	15.99	112.92	16.93	119.57	17.87	132.85	18.81	146.14	21.63	152.78	22.57	159.42	23.51	100%	-4	-20	188.73	10.35	200.52	10.96	212.32	11.57	235.91	12.18	259.50	14.00	271.30	14.61	283.09	15.22	183.23	10.45	194.68	11.07	206.13	11.68	229.04	12.30	251.94	14.14	263.39	14.76	274.85	15.37	177.89	10.67	189.01	11.29	200.13	11.92	222.37	12.55	244.60	14.43	255.72	15.06	266.84	15.69	172.71	10.88	183.51	11.53	194.30	12.17	215.89	12.81	237.48	14.73	248.27	15.37	259.07	16.01	169.33	11.11	179.91	11.76	190.49	12.41	211.66	13.07	232.82	15.03	243.41	15.68	253.99	16.33	166.01	11.33	176.38	12.00	186.76	12.67	207.51	13.33	228.26	15.33	238.63	16.00	249.01	16.67	162.75	11.56	172.92	12.25	183.09	12.93	203.44	13.61	223.78	15.65	233.95	16.33	244.13	17.01	159.56	11.80	169.53	12.50	179.50	13.19	199.45	13.88	219.39	15.97	229.37	16.66	239.34	17.35	156.43	12.04	166.21	12.75	175.98	13.46	195.54	14.17	215.09	16.29	224.87	17.00	234.65	17.71	153.36	12.29	162.95	13.01	172.53	13.73	191.70	14.46	210.87	16.62	220.46	17.35	230.05	18.07	150.36	12.54	159.75	13.28	169.15	14.01	187.95	14.75	206.74	16.96	216.14	17.70	225.53	18.44	147.41	12.67	156.62	13.41	165.83	14.16	184.26	14.90	202.69	17.14	211.90	17.88	221.11	18.63	140.04	13.33	148.79	14.12	157.54	14.90	175.05	15.68	192.55	18.04	201.30	18.82	210.06	19.61	132.67	14.07	140.96	14.90	149.25	15.73	165.83	16.56	182.42	19.04	190.71	19.87	199.00	20.69	123.71	14.42	131.45	15.27	139.18	16.12	154.64	16.96	170.11	19.51	177.84	20.36	185.57	21.20	103.19	15.83	109.63	16.76	116.08	17.69	128.98	18.63	141.88	21.42	148.33	22.35	154.78	23.28

Combination	Outdoor Ambient Temperature °F DB / °C DB	Indoor Ambient Temperature of WB(oC WB)																						
		57(13.9)			61(16.1)			64(17.8)			67(19.4)			70(21.1)			72(22.2)			75 (23.9)				
		TC	KBTU	PI	TC	KBTU	PI	TC	KBTU	PI	TC	KBTU	PI	TC	KBTU	PI	TC	KBTU	PI	TC	KBTU	PI		
90%	-4	169.85	8.59	180.47	9.10	191.09	9.60	212.32	10.11	233.55	11.62	244.17	12.13	254.78	12.63									
	5	164.91	8.68	175.21	9.19	185.52	9.70	206.13	10.21	226.75	11.74	237.05	12.25	247.36	12.76									
	14	160.10	8.85	170.11	9.37	180.12	9.90	200.13	10.42	220.14	11.98	230.15	12.50	240.16	13.02									
	23	155.44	9.03	165.16	9.57	174.87	10.10	194.30	10.63	213.73	12.22	223.45	12.75	233.16	13.29									
	32	152.39	9.22	161.92	9.76	171.44	10.30	190.49	10.85	209.54	12.47	219.07	13.01	228.59	13.56									
	41	149.41	9.41	158.74	9.96	168.08	10.51	186.76	11.07	205.43	12.73	214.77	13.28	224.11	13.83									
	50	146.48	9.60	155.63	10.16	164.78	10.73	183.09	11.29	201.40	12.99	210.56	13.55	219.71	14.12									
	65	143.60	9.79	152.58	10.37	161.55	10.95	179.50	11.52	197.45	13.25	206.43	13.83	215.41	14.40									
	75	140.79	9.99	149.59	10.58	158.39	11.17	175.98	11.76	193.58	13.52	202.38	14.11	211.18	14.70									
	77	138.03	10.20	146.65	10.80	155.28	11.40	172.53	12.00	189.79	13.80	198.41	14.40	207.04	15.00									
	85	135.32	10.41	143.78	11.02	152.24	11.63	169.15	12.24	186.07	14.08	194.52	14.69	202.98	15.30									
	95	132.67	10.51	140.96	11.13	149.25	11.75	165.83	12.37	182.42	14.22	190.71	14.84	199.00	15.46									
	105	126.03	11.07	133.91	11.72	141.79	12.37	157.54	13.02	173.30	14.97	181.17	15.62	189.05	16.27									
	109	119.40	11.68	126.86	12.37	134.33	13.05	149.25	13.74	164.18	15.80	171.64	16.49	179.10	17.18									
115	115.05	11.54	122.25	12.21	129.44	12.89	143.82	13.57	158.20	15.61	165.39	16.29	172.58	16.96										
122	92.87	13.14	98.67	13.91	104.48	14.69	116.08	15.46	127.69	17.78	133.50	18.55	139.30	19.32										
80%	-4	154.76	7.35	164.43	7.78	174.10	8.21	193.45	8.64	212.79	9.94	222.46	10.37	232.13	10.81									
	5	150.25	7.42	159.64	7.86	169.03	8.30	187.81	8.73	206.59	10.04	215.98	10.48	225.37	10.92									
	14	145.87	7.57	154.99	8.02	164.11	8.46	182.34	8.91	200.58	10.25	209.69	10.69	218.81	11.14									
	23	141.62	7.73	150.48	8.18	159.33	8.64	177.03	9.09	194.73	10.46	203.58	10.91	212.44	11.37									
	32	138.85	7.89	147.53	8.35	156.20	8.81	173.56	9.28	190.91	10.67	199.59	11.13	208.27	11.60									
	41	136.12	8.05	144.63	8.52	153.14	8.99	170.16	9.47	187.17	10.89	195.68	11.36	204.19	11.83									
	50	133.46	8.21	141.80	8.69	150.14	9.18	166.82	9.66	183.50	11.11	191.84	11.59	200.18	12.08									
	65	130.84	8.38	139.02	8.87	147.19	9.36	163.55	9.86	179.90	11.34	188.08	11.83	196.26	12.32									
	75	128.27	8.55	136.29	9.05	144.31	9.56	160.34	10.06	176.38	11.57	184.39	12.07	192.41	12.57									
	77	125.76	8.72	133.62	9.24	141.48	9.75	157.20	10.26	172.92	11.80	180.78	12.32	188.64	12.83									
	85	123.29	8.90	131.00	9.43	138.70	9.95	154.12	10.47	169.53	12.04	177.23	12.57	184.94	13.09									
	95	120.87	8.99	128.43	9.52	135.98	10.05	151.09	10.58	166.20	12.17	173.76	12.69	181.31	13.22									
	105	114.83	9.47	122.01	10.02	129.18	10.58	143.54	11.14	157.89	12.81	165.07	13.36	172.25	13.92									
	109	108.79	9.99	115.59	10.58	122.39	11.17	135.98	11.75	149.58	13.52	156.38	14.11	163.18	14.69									
115	110.11	10.24	116.99	10.84	123.87	11.44	137.63	12.04	151.40	13.85	158.28	14.45	165.16	15.06										
122	84.61	11.24	89.90	11.90	95.19	12.56	105.77	13.22	116.34	15.21	121.63	15.87	126.92	16.53										

Combination	Outdoor Ambient Temperature		Indoor Ambient Temperature of WB(oC WB)																																																																																																																																																																																																																																																																																																																																																																																																																																																																																																																																		
			57(13.9)				61(16.1)				64(17.8)				67(19.4)				70(21.1)				72(22.2)				75 (23.9)																																																																																																																																																																																																																																																																																																																																																																																																																																																																																																										
			TC	PI	KBTU	kW	TC	PI	KBTU	kW	TC	PI	KBTU	kW	TC	PI	KBTU	kW	TC	PI	KBTU	kW	TC	PI	KBTU	kW	TC	PI	KBTU	kW																																																																																																																																																																																																																																																																																																																																																																																																																																																																																																							
	°F DB	°C DB	-4	-20	135.88	6.21	144.38	6.57	152.87	6.94	169.85	7.31	186.84	8.40	195.33	8.77	203.83	9.13	5	-15	131.93	6.27	140.17	6.64	148.42	7.01	164.91	7.38	181.40	8.49	189.64	8.86	197.89	9.22	14	-10	128.08	6.40	136.09	6.78	144.09	7.15	160.10	7.53	176.11	8.66	184.12	9.04	192.13	9.41	23	-5	124.35	6.53	132.12	6.92	139.90	7.30	155.44	7.68	170.99	8.84	178.76	9.22	186.53	9.60	32	0	121.91	6.66	129.53	7.06	137.15	7.45	152.39	7.84	167.63	9.02	175.25	9.41	182.87	9.80	41	5	119.52	6.80	126.99	7.20	134.46	7.60	149.41	8.00	164.35	9.20	171.82	9.60	179.29	10.00	50	10	117.18	6.94	124.50	7.35	131.83	7.76	146.48	8.16	161.12	9.39	168.45	9.80	175.77	10.20	65	18.3	114.88	7.08	122.06	7.50	129.24	7.91	143.60	8.33	157.96	9.58	165.14	10.00	172.32	10.41	75	23.8	112.63	7.23	119.67	7.65	126.71	8.08	140.79	8.50	154.87	9.78	161.91	10.20	168.95	10.63	77	25	110.42	7.37	117.32	7.81	124.22	8.24	138.03	8.67	151.83	9.97	158.73	10.41	165.63	10.84	85	29.4	108.26	7.52	115.02	7.97	121.79	8.41	135.32	8.85	148.85	10.18	155.62	10.62	162.38	11.06	95	35	106.13	7.60	112.77	8.05	119.40	8.49	132.67	8.94	145.93	10.28	152.57	10.73	159.20	11.18	105	41	100.83	8.00	107.13	8.47	113.43	8.94	126.03	9.41	138.64	10.82	144.94	11.29	151.24	11.76	109	42.7	95.52	8.44	101.49	8.94	107.46	9.44	119.40	9.93	131.34	11.42	137.31	11.92	143.28	12.42	115	46	96.50	8.22	102.53	8.70	108.56	9.19	120.62	9.67	132.68	11.12	138.72	11.60	144.75	12.09	122	50	74.29	9.50	78.94	10.06	83.58	10.62	92.87	11.18	102.15	12.85	106.80	13.41	111.44	13.97				-4	-20	117.01	5.07	124.32	5.37	131.64	5.67	146.26	5.97	160.89	6.86	168.20	7.16	175.52	7.46	5	-15	113.60	5.12	120.70	5.42	127.80	5.73	142.00	6.03	156.20	6.93	163.30	7.23	170.40	7.53	14	-10	110.29	5.23	117.19	5.53	124.08	5.84	137.87	6.15	151.65	7.07	158.55	7.38	165.44	7.69	23	-5	107.08	5.33	113.77	5.65	120.47	5.96	133.85	6.27	147.24	7.22	153.93	7.53	160.62	7.84	32	0	104.98	5.44	111.54	5.76	118.10	6.08	131.23	6.40	144.35	7.36	150.91	7.68	157.47	8.00	41	5	102.92	5.55	109.36	5.88	115.79	6.21	128.65	6.53	141.52	7.51	147.95	7.84	154.39	8.17	50	10	100.91	5.67	107.21	6.00	113.52	6.33	126.13	6.67	138.74	7.67	145.05	8.00	151.36	8.33	65	18.3	98.93	5.78	105.11	6.12	111.29	6.46	123.66	6.80	136.02	7.82	142.21	8.16	148.39	8.50	75	23.8	96.99	5.90	103.05	6.25	109.11	6.59	121.23	6.94	133.36	7.98	139.42	8.33	145.48	8.68	77	25	95.09	6.02	101.03	6.38	106.97	6.73	118.86	7.08	130.74	8.15	136.69	8.50	142.63	8.85	85	29.4	93.22	6.14	99.05	6.51	104.87	6.87	116.53	7.23	128.18	8.31	134.01	8.67	139.83	9.03	95	35	91.39	6.21	97.11	6.57	102.82	6.94	114.24	7.30	125.67	8.40	131.38	8.76	137.09	9.13	105	41	86.82	6.53	92.25	6.92	97.68	7.30	108.53	7.69	119.38	8.84	124.81	9.22	130.24	9.61	109	42.7	82.25	6.90	87.39	7.30	92.54	7.71	102.82	8.11	113.10	9.33	118.24	9.73	123.38	10.14	115	46	85.36	7.07	90.70	7.48	96.03	7.90	106.70	8.31	117.37	9.56	122.71	9.97	128.04	10.39	122	50	63.98	7.76	67.97	8.21	71.97	8.67	79.97	9.13	87.97	10.50	91.96	10.95	95.96	11.41
			-4	-20	117.01	5.07	124.32	5.37	131.64	5.67	146.26	5.97	160.89	6.86	168.20	7.16	175.52	7.46	5	-15	113.60	5.12	120.70	5.42	127.80	5.73	142.00	6.03	156.20	6.93	163.30	7.23	170.40	7.53	14	-10	110.29	5.23	117.19	5.53	124.08	5.84	137.87	6.15	151.65	7.07	158.55	7.38	165.44	7.69	23	-5	107.08	5.33	113.77	5.65	120.47	5.96	133.85	6.27	147.24	7.22	153.93	7.53	160.62	7.84	32	0	104.98	5.44	111.54	5.76	118.10	6.08	131.23	6.40	144.35	7.36	150.91	7.68	157.47	8.00	41	5	102.92	5.55	109.36	5.88	115.79	6.21	128.65	6.53	141.52	7.51	147.95	7.84	154.39	8.17	50	10	100.91	5.67	107.21	6.00	113.52	6.33	126.13	6.67	138.74	7.67	145.05	8.00	151.36	8.33	65	18.3	98.93	5.78	105.11	6.12	111.29	6.46	123.66	6.80	136.02	7.82	142.21	8.16	148.39	8.50	75	23.8	96.99	5.90	103.05	6.25	109.11	6.59	121.23	6.94	133.36	7.98	139.42	8.33	145.48	8.68	77	25	95.09	6.02	101.03	6.38	106.97	6.73	118.86	7.08	130.74	8.15	136.69	8.50	142.63	8.85	85	29.4	93.22	6.14	99.05	6.51	104.87	6.87	116.53	7.23	128.18	8.31	134.01	8.67	139.83	9.03	95	35	91.39	6.21	97.11	6.57	102.82	6.94	114.24	7.30	125.67	8.40	131.38	8.76	137.09	9.13	105	41	86.82	6.53	92.25	6.92	97.68	7.30	108.53	7.69	119.38	8.84	124.81	9.22	130.24	9.61	109	42.7	82.25	6.90	87.39	7.30	92.54	7.71	102.82	8.11	113.10	9.33	118.24	9.73	123.38	10.14	115	46	85.36	7.07	90.70	7.48	96.03	7.90	106.70	8.31	117.37	9.56	122.71	9.97	128.04	10.39	122	50	63.98	7.76	67.97	8.21	71.97	8.67	79.97	9.13	87.97	10.50	91.96	10.95	95.96	11.41																																																																																																																																																																																																																																																																			

Combination	Outdoor Ambient Temperature °F DB / °C DB	Indoor Ambient Temperature of F WB(oC WB)																							
		57(13.9)			61(16.1)			64(17.8)			67(19.4)			70(21.1)			72(22.2)			75 (23.9)					
		TC	KBTU	PI kW	TC	KBTU	PI kW	TC	KBTU	PI kW	TC	KBTU	PI kW	TC	KBTU	PI kW	TC	KBTU	PI kW	TC	KBTU	PI kW			
50%	-4	94.36	4.14	4.38	100.26	4.63	106.16	4.87	117.95	5.60	129.75	5.84	135.65	5.60	129.75	5.84	135.65	5.60	129.75	5.84	135.65	5.60	129.75	5.84	135.65
	5	91.62	4.18	4.43	97.34	4.67	103.07	4.92	114.52	5.66	125.97	5.90	131.70	5.66	125.97	5.90	131.70	5.66	125.97	5.90	131.70	5.66	125.97	5.90	131.70
	14	88.95	4.27	4.52	94.51	4.77	100.07	5.02	111.18	5.77	122.30	6.02	127.86	5.77	122.30	6.02	127.86	5.77	122.30	6.02	127.86	5.77	122.30	6.02	127.86
	23	86.36	4.35	4.61	91.75	4.87	97.15	5.12	107.95	5.89	118.74	6.15	124.14	5.89	118.74	6.15	124.14	5.89	118.74	6.15	124.14	5.89	118.74	6.15	124.14
	32	84.66	4.44	4.70	89.95	4.97	95.25	5.23	105.83	6.01	116.41	6.27	121.70	6.01	116.41	6.27	121.70	6.01	116.41	6.27	121.70	6.01	116.41	6.27	121.70
	41	83.00	4.53	4.80	88.19	5.07	93.38	5.33	103.75	6.13	114.13	6.40	119.32	6.13	114.13	6.40	119.32	6.13	114.13	6.40	119.32	6.13	114.13	6.40	119.32
	50	81.38	4.63	4.90	86.46	5.17	91.55	5.44	101.72	6.26	111.89	6.53	116.98	6.26	111.89	6.53	116.98	6.26	111.89	6.53	116.98	6.26	111.89	6.53	116.98
	65	79.78	4.72	5.00	84.77	5.28	89.75	5.55	99.72	6.39	109.70	6.66	114.68	6.39	109.70	6.66	114.68	6.39	109.70	6.66	114.68	6.39	109.70	6.66	114.68
	75	78.22	4.82	5.10	83.10	5.38	87.99	5.67	97.77	6.52	107.55	6.80	112.43	6.52	107.55	6.80	112.43	6.52	107.55	6.80	112.43	6.52	107.55	6.80	112.43
	77	76.68	4.92	5.20	81.47	5.49	86.27	5.78	95.85	6.65	105.44	6.94	110.23	6.65	105.44	6.94	110.23	6.65	105.44	6.94	110.23	6.65	105.44	6.94	110.23
	85	75.18	5.02	5.31	79.88	5.61	84.58	5.90	93.97	6.79	103.37	7.08	108.07	6.79	103.37	7.08	108.07	6.79	103.37	7.08	108.07	6.79	103.37	7.08	108.07
	95	73.70	5.07	5.36	78.31	5.66	82.92	5.96	92.13	6.85	101.34	7.15	105.95	6.85	101.34	7.15	105.95	6.85	101.34	7.15	105.95	6.85	101.34	7.15	105.95
	105	70.02	5.33	5.65	74.40	5.96	78.77	6.27	87.52	7.21	96.28	7.53	100.65	7.21	96.28	7.53	100.65	7.21	96.28	7.53	100.65	7.21	96.28	7.53	100.65
	109	66.33	5.63	5.96	70.48	5.96	74.63	6.62	82.92	7.62	91.21	7.95	95.35	7.62	91.21	7.95	95.35	7.62	91.21	7.95	95.35	7.62	91.21	7.95	95.35
115	65.29	5.48	5.80	69.37	5.80	73.46	6.45	81.62	7.41	89.78	7.74	93.86	7.41	89.78	7.74	93.86	7.41	89.78	7.74	93.86	7.41	89.78	7.74	93.86	
122	51.59	6.33	6.71	54.82	6.71	58.04	7.45	64.49	8.57	70.94	8.94	74.16	8.57	70.94	8.94	74.16	8.57	70.94	8.94	74.16	8.57	70.94	8.94	74.16	

Combination	Outdoor Ambient Temperature °F DB	Indoor Ambient Temperature of WB(oC WB)																																																																																																																																																																																																																																																																																																																																																																																																																																																																															
		57(13.9)				61(16.1)				64(17.8)				67(19.4)				70(21.1)				72(22.2)				75 (23.9)																																																																																																																																																																																																																																																																																																																																																																																																																																																							
		TC	KBTU	PI	KW	TC	KBTU	PI	KW	TC	KBTU	PI	KW	TC	KBTU	PI	KW	TC	KBTU	PI	KW	TC	KBTU	PI	KW	TC	KBTU	PI	KW																																																																																																																																																																																																																																																																																																																																																																																																																																																				
	-4	225.95	12.93	240.07	13.69	254.19	14.45	282.43	15.21	310.68	17.49	324.80	18.25	338.92	19.01	219.37	13.06	233.08	13.83	246.79	14.60	274.21	15.37	301.63	17.67	315.34	18.44	329.05	19.21	212.98	13.33	226.29	14.11	239.60	14.89	266.22	15.68	292.84	18.03	306.15	18.81	319.46	19.60	206.77	13.60	219.70	14.40	232.62	15.20	258.47	16.00	284.31	18.40	297.24	19.20	310.16	20.00	202.72	13.88	215.39	14.69	228.06	15.51	253.40	16.33	278.74	18.77	291.41	19.59	304.08	20.41	198.74	14.16	211.17	14.99	223.59	15.83	248.43	16.66	273.27	19.16	285.69	19.99	298.12	20.82	194.85	14.45	207.02	15.30	219.20	16.15	243.56	17.00	267.91	19.55	280.09	20.40	292.27	21.25	191.03	14.74	202.97	15.61	214.90	16.48	238.78	17.35	262.66	19.95	274.60	20.81	286.54	21.68	187.28	15.04	198.99	15.93	210.69	16.81	234.10	17.70	257.51	20.35	269.22	21.24	280.92	22.12	183.61	15.35	195.08	16.25	206.56	17.16	229.51	18.06	252.46	20.77	263.94	21.67	275.41	22.58	180.01	15.66	191.26	16.59	202.51	17.51	225.01	18.43	247.51	21.19	258.76	22.11	270.01	23.04	176.48	15.82	187.51	16.75	198.54	17.68	220.60	18.62	242.66	21.41	253.69	22.34	264.72	23.27	167.65	16.66	178.13	17.64	188.61	18.62	209.57	19.59	230.53	22.53	241.00	23.51	251.48	24.49	158.83	17.58	168.76	18.62	178.68	19.65	198.54	20.68	218.39	23.79	228.32	24.82	238.25	25.85	151.16	18.01	160.61	19.07	170.05	20.13	188.95	21.19	207.84	24.37	217.29	25.43	226.74	26.49	123.54	19.78	131.26	20.94	138.98	22.11	154.42	23.27	169.86	26.76	177.58	27.92	185.30	29.09	-4	221.72	12.80	235.58	13.56	249.44	14.31	277.15	15.06	304.87	17.32	318.73	18.07	332.58	18.83	-15	215.27	12.93	228.72	13.69	242.17	14.45	269.08	15.21	295.99	17.50	309.44	18.26	322.90	19.02	-10	209.00	13.20	222.06	13.97	235.12	14.75	261.24	15.52	287.37	17.85	300.43	18.63	313.49	19.41	-5	202.91	13.47	215.59	14.26	228.27	15.05	253.64	15.84	279.00	18.22	291.68	19.01	304.36	19.80	0	198.93	13.74	211.36	14.55	223.80	15.36	248.66	16.17	273.53	18.59	285.96	19.40	298.39	20.21	5	195.03	14.02	207.22	14.85	219.41	15.67	243.79	16.49	268.16	18.97	280.35	19.79	292.54	20.62	10	191.20	14.31	203.16	15.15	215.11	15.99	239.01	16.83	262.91	19.36	274.86	20.20	286.81	21.04	18.3	187.46	14.60	199.17	15.46	210.89	16.32	234.32	17.18	257.75	19.75	269.47	20.61	281.18	21.47	23.8	183.78	14.90	195.27	15.77	206.75	16.65	229.73	17.53	252.70	20.15	264.18	21.03	275.67	21.91	25	180.18	15.20	191.44	16.09	202.70	16.99	225.22	17.88	247.74	20.57	259.00	21.46	270.26	22.35	29.4	176.64	15.51	187.68	16.42	198.72	17.34	220.80	18.25	242.89	20.99	253.93	21.90	264.97	22.81	35	173.18	15.67	184.00	16.59	194.83	17.51	216.48	18.43	238.12	21.20	248.95	22.12	259.77	23.04	41	164.52	16.49	174.80	17.46	185.09	18.43	205.65	19.40	226.22	22.31	236.50	23.28	246.78	24.25	42.7	155.86	17.41	165.60	18.43	175.34	19.46	194.83	20.48	214.31	23.55	224.05	24.58	233.79	25.60	46	145.34	17.84	154.43	18.89	163.51	19.94	181.68	20.99	199.85	24.13	208.93	25.18	218.02	26.23	50	121.23	19.58	128.80	20.74	136.38	21.89	151.53	23.04	166.69	26.50	174.26	27.65	181.84	28.80

Combination	Outdoor Ambient Temperature °F DB °C DB	Indoor Ambient Temperature of WB(oC WB)																					
		57(13.9)			61(16.1)			64(17.8)			67(19.4)			70(21.1)			72(22.2)			75 (23.9)			
		TC	PI	kW	TC	PI	kW	TC	PI	kW	TC	PI	kW	TC	PI	kW	TC	PI	kW	TC	PI	kW	
	-4	-20	217.50	12.80	231.09	13.56	244.69	14.31	271.87	15.06	299.06	17.32	312.66	18.07	326.25	18.83							
	5	-15	211.16	12.93	224.36	13.69	237.56	14.45	263.96	15.21	290.35	17.50	303.55	18.26	316.75	19.02							
	14	-10	205.01	13.20	217.83	13.97	230.64	14.75	256.27	15.52	281.89	17.85	294.71	18.63	307.52	19.41							
	23	-5	199.04	13.47	211.48	14.26	223.92	15.05	248.80	15.84	273.68	18.22	286.12	19.01	298.56	19.80							
	32	0	195.14	13.74	207.34	14.55	219.53	15.36	243.93	16.17	268.32	18.59	280.51	19.40	292.71	20.21							
	41	5	191.31	14.02	203.27	14.85	215.23	15.67	239.14	16.49	263.06	18.97	275.01	19.79	286.97	20.62							
	50	10	187.56	14.31	199.29	15.15	211.01	15.99	234.45	16.83	257.90	19.36	269.62	20.20	281.34	21.04							
	65	18.3	183.89	14.60	195.38	15.46	206.87	16.32	229.86	17.18	252.84	19.75	264.33	20.61	275.83	21.47							
	75	23.8	180.28	14.90	191.55	15.77	202.81	16.65	225.35	17.53	247.88	20.15	259.15	21.03	270.42	21.91							
	77	25	176.74	15.20	187.79	16.09	198.84	16.99	220.93	17.88	243.02	20.57	254.07	21.46	265.12	22.35							
	85	29.4	173.28	15.51	184.11	16.42	194.94	17.34	216.60	18.25	238.26	20.99	249.09	21.90	259.92	22.81							
	95	35	169.88	15.67	180.50	16.59	191.12	17.51	212.35	18.43	233.59	21.20	244.20	22.12	254.82	23.04							
	105	41	161.39	16.49	171.47	17.46	181.56	18.43	201.73	19.40	221.91	22.31	231.99	23.28	242.08	24.25							
	109	42.7	152.89	17.41	162.45	18.43	172.00	19.46	191.12	20.48	210.23	23.55	219.78	24.58	229.34	25.60							
	115	46	142.58	17.84	151.49	18.89	160.40	19.94	178.22	20.99	196.04	24.13	204.95	25.18	213.86	26.23							
	122	50	118.92	19.58	126.35	20.74	133.78	21.89	148.65	23.04	163.51	26.50	170.94	27.65	178.38	28.80							
	-4	-20	211.16	12.68	224.36	13.42	237.56	14.17	263.96	14.91	290.35	17.15	303.55	17.90	316.75	18.64							
	5	-15	205.01	12.80	217.83	13.56	230.64	14.31	256.27	15.06	281.89	17.32	294.71	18.08	307.52	18.83							
	14	-10	199.04	13.07	211.48	13.83	223.92	14.60	248.80	15.37	273.68	17.68	286.12	18.45	298.56	19.21							
	23	-5	193.25	13.33	205.32	14.12	217.40	14.90	241.56	15.68	265.71	18.04	277.79	18.82	289.87	19.61							
	32	0	189.46	13.60	201.30	14.40	213.14	15.20	236.82	16.00	260.50	18.41	272.34	19.21	284.19	20.01							
	41	5	185.74	13.88	197.35	14.70	208.96	15.52	232.18	16.33	255.40	18.78	267.00	19.60	278.61	20.41							
	50	10	182.10	14.17	193.48	15.00	204.86	15.83	227.62	16.66	250.39	19.16	261.77	20.00	273.15	20.83							
	65	18.3	178.53	14.45	189.69	15.30	200.85	16.15	223.16	17.00	245.48	19.56	256.64	20.41	267.79	21.26							
	75	23.9	175.03	14.75	185.97	15.62	196.91	16.48	218.79	17.35	240.66	19.95	251.60	20.82	262.54	21.69							
	77	25	171.60	15.05	182.32	15.94	193.05	16.82	214.50	17.71	235.95	20.36	246.67	21.25	257.40	22.13							
	85	29.4	168.23	15.36	178.75	16.26	189.26	17.16	210.29	18.07	231.32	20.78	241.83	21.68	252.35	22.58							
	95	35	164.93	15.51	175.24	16.43	185.55	17.34	206.17	18.25	226.78	20.99	237.09	21.90	247.40	22.81							
	105	40.6	156.69	16.33	166.48	17.29	176.27	18.25	195.86	19.21	215.44	22.09	225.24	23.05	235.03	24.01							
	109	42.8	148.44	17.24	157.72	18.25	167.00	19.26	185.55	20.28	204.11	23.32	213.38	24.33	222.66	25.35							
	115	46.1	138.42	17.66	147.07	18.70	155.73	19.74	173.03	20.78	190.33	23.89	198.98	24.93	207.63	25.97							
	122	50	115.45	19.39	122.67	20.53	129.89	21.67	144.32	22.81	158.75	26.23	165.96	27.38	173.18	28.52							

110%

100%

Combination	Outdoor Ambient Temperature	Indoor Ambient Temperature of WB(oC WB)																					
		57(13.9)			61(16.1)			64(17.8)			67(19.4)			70(21.1)			72(22.2)			75 (23.9)			
		TC	KBTU	kW	TC	KBTU	kW	TC	KBTU	kW	TC	KBTU	kW	TC	KBTU	kW	TC	KBTU	kW	TC	KBTU	kW	
	°F DB	°C DB																					
	-4	-20	190.05	10.52	201.93	11.14	213.80	11.76	237.56	12.38	261.32	14.23	273.19	14.85	285.07	15.47							
	5	-15	184.51	10.63	196.05	11.25	207.58	11.88	230.64	12.50	253.71	14.38	265.24	15.00	276.77	15.63							
	14	-10	179.14	10.84	190.34	11.48	201.53	12.12	223.92	12.76	246.32	14.67	257.51	15.31	268.71	15.95							
	23	-5	173.92	11.07	184.79	11.72	195.66	12.37	217.40	13.02	239.14	14.97	250.01	15.62	260.88	16.27							
	32	0	170.51	11.29	181.17	11.96	191.82	12.62	213.14	13.28	234.45	15.28	245.11	15.94	255.77	16.61							
	41	5	167.17	11.52	177.62	12.20	188.06	12.88	208.96	13.56	229.86	15.59	240.30	16.27	250.75	16.94							
	50	10	163.89	11.76	174.13	12.45	184.38	13.14	204.86	13.83	225.35	15.91	235.59	16.60	245.83	17.29							
	65	18.3	160.68	12.00	170.72	12.70	180.76	13.41	200.85	14.11	220.93	16.23	230.97	16.94	241.01	17.64							
	75	23.8	157.53	12.24	167.37	12.96	177.22	13.68	196.91	14.40	216.60	16.56	226.44	17.28	236.29	18.00							
	77	25	154.44	12.49	164.09	13.23	173.74	13.96	193.05	14.70	212.35	16.90	222.00	17.64	231.66	18.37							
	85	29.4	151.41	12.75	160.87	13.50	170.34	14.25	189.26	15.00	208.19	17.25	217.65	18.00	227.11	18.75							
	95	35	148.44	12.88	157.72	13.63	167.00	14.39	185.55	15.15	204.11	17.42	213.38	18.18	222.66	18.93							
	105	41	141.02	13.55	149.83	14.35	158.65	15.15	176.27	15.94	193.90	18.34	202.71	19.13	211.53	19.93							
	109	42.7	133.60	14.31	141.95	15.15	150.30	15.99	167.00	16.83	183.69	19.36	192.04	20.20	200.39	21.04							
	115	46	128.73	14.13	136.78	14.96	144.83	15.79	160.92	16.62	177.01	19.12	185.05	19.95	193.10	20.78							
	122	50	103.91	16.09	110.40	17.04	116.90	17.99	129.89	18.93	142.87	21.77	149.37	22.72	155.86	23.67							
	-4	-20	173.16	9.00	183.98	9.53	194.80	10.06	216.44	10.59	238.09	12.18	248.91	12.71	259.73	13.24							
	5	-15	168.11	9.09	178.62	9.63	189.13	10.16	210.14	10.70	231.15	12.30	241.66	12.83	252.17	13.37							
	14	-10	163.22	9.28	173.42	9.82	183.62	10.37	204.02	10.91	224.42	12.55	234.62	13.10	244.82	13.64							
	23	-5	158.46	9.47	168.37	10.02	178.27	10.58	198.08	11.14	217.88	12.81	227.79	13.36	237.69	13.92							
	32	0	155.35	9.66	165.06	10.23	174.77	10.80	194.19	11.36	213.61	13.07	223.32	13.64	233.03	14.20							
	41	5	152.31	9.86	161.83	10.44	171.35	11.02	190.39	11.60	209.42	13.33	218.94	13.91	228.46	14.49							
	50	10	149.32	10.06	158.65	10.65	167.99	11.24	186.65	11.83	205.32	13.61	214.65	14.20	223.98	14.79							
	65	18.3	146.39	10.26	155.54	10.87	164.69	11.47	182.99	12.07	201.29	13.88	210.44	14.49	219.59	15.09							
	75	23.8	143.52	10.47	152.49	11.09	161.46	11.70	179.40	12.32	197.34	14.17	206.32	14.78	215.29	15.40							
	77	25	140.71	10.69	149.50	11.31	158.30	11.94	175.89	12.57	193.48	14.46	202.27	15.09	211.06	15.71							
	85	29.4	137.95	10.90	146.57	11.55	155.19	12.19	172.44	12.83	189.68	14.75	198.30	15.39	206.93	16.03							
	95	35	135.25	11.01	143.70	11.66	152.15	12.31	169.06	12.96	185.96	14.90	194.42	15.55	202.87	16.20							
	105	41	128.48	11.59	136.51	12.28	144.54	12.96	160.60	13.64	176.66	15.69	184.69	16.37	192.72	17.05							
	109	42.7	121.72	12.24	129.33	12.96	136.94	13.68	152.15	14.40	167.37	16.56	174.97	17.28	182.58	18.00							
	115	46	123.20	12.54	130.90	13.28	138.60	14.01	154.00	14.75	169.40	16.97	177.09	17.70	184.79	18.44							
	122	50	94.67	13.77	100.59	14.58	106.51	15.39	118.34	16.20	130.17	18.63	136.09	19.44	142.01	20.25							

90%

80%

Combination	Outdoor Ambient Temperature		Indoor Ambient Temperature of WB(oC WB)																																																																																																																																																																																																																																																																																																																																																																																																																																																																																																																																		
			57(13.9)				61(16.1)				64(17.8)				67(19.4)				70(21.1)				72(22.2)				75 (23.9)																																																																																																																																																																																																																																																																																																																																																																																																																																																																																																										
			TC	PI	KBTU	kW	TC	PI	KBTU	kW	TC	PI	KBTU	kW	TC	PI	KBTU	kW	TC	PI	KBTU	kW	TC	PI	KBTU	kW	TC	PI	KBTU	kW																																																																																																																																																																																																																																																																																																																																																																																																																																																																																																							
	°F DB	°C DB	-4	-20	152.04	7.61	161.54	8.05	171.04	8.50	190.05	8.95	209.05	10.29	218.56	10.74	228.06	11.18	5	-15	147.61	7.68	156.84	8.13	166.06	8.59	184.51	9.04	202.96	10.39	212.19	10.85	221.42	11.30	14	-10	143.31	7.84	152.27	8.30	161.22	8.76	179.14	9.22	197.05	10.61	206.01	11.07	214.97	11.53	23	-5	139.14	8.00	147.83	8.47	156.53	8.94	173.92	9.41	191.31	10.82	200.01	11.29	208.71	11.76	32	0	136.41	8.16	144.93	8.64	153.46	9.12	170.51	9.60	187.56	11.04	196.09	11.52	204.61	12.00	41	5	133.73	8.33	142.09	8.82	150.45	9.31	167.17	9.80	183.88	11.27	192.24	11.76	200.60	12.25	50	10	131.11	8.50	139.31	9.00	147.50	9.50	163.89	10.00	180.28	11.50	188.47	12.00	196.67	12.50	65	18.3	128.54	8.67	136.57	9.18	144.61	9.69	160.68	10.20	176.74	11.73	184.78	12.24	192.81	12.75	75	23.8	126.02	8.85	133.90	9.37	141.77	9.89	157.53	10.41	173.28	11.97	181.15	12.49	189.03	13.01	77	25	123.55	9.03	131.27	9.56	138.99	10.09	154.44	10.62	169.88	12.22	177.60	12.75	185.32	13.28	85	29.4	121.13	9.21	128.70	9.76	136.27	10.30	151.41	10.84	166.55	12.47	174.12	13.01	181.69	13.55	95	35	118.75	9.31	126.17	9.86	133.60	10.40	148.44	10.95	163.28	12.59	170.71	13.14	178.13	13.69	105	41	112.81	9.80	119.87	10.37	126.92	10.95	141.02	11.53	155.12	13.26	162.17	13.83	169.22	14.41	109	42.7	106.88	10.34	113.56	10.95	120.24	11.56	133.60	12.17	146.96	13.99	153.64	14.60	160.32	15.21	115	46	107.97	10.07	114.72	10.66	121.47	11.25	134.96	11.84	148.46	13.62	155.21	14.21	161.95	14.80	122	50	83.13	11.63	88.32	12.32	93.52	13.00	103.91	13.69	114.30	15.74	119.49	16.43	124.69	17.11				-4	-20	130.92	6.21	139.10	6.58	147.29	6.94	163.65	7.31	180.02	8.40	188.20	8.77	196.38	9.13	5	-15	127.11	6.27	135.05	6.64	143.00	7.01	158.89	7.38	174.77	8.49	182.72	8.86	190.66	9.23	14	-10	123.41	6.40	131.12	6.78	138.83	7.16	154.26	7.53	169.68	8.66	177.40	9.04	185.11	9.41	23	-5	119.81	6.53	127.30	6.92	134.79	7.30	149.77	7.69	164.74	8.84	172.23	9.22	179.72	9.61	32	0	117.46	6.67	124.80	7.06	132.15	7.45	146.83	7.84	161.51	9.02	168.85	9.41	176.19	9.80	41	5	115.16	6.80	122.36	7.20	129.55	7.60	143.95	8.00	158.34	9.20	165.54	9.60	172.74	10.00	50	10	112.90	6.94	119.96	7.35	127.01	7.76	141.13	8.17	155.24	9.39	162.30	9.80	169.35	10.21	65	18.3	110.69	7.08	117.61	7.50	124.52	7.92	138.36	8.33	152.20	9.58	159.11	10.00	166.03	10.42	75	23.8	108.52	7.23	115.30	7.65	122.08	8.08	135.65	8.50	149.21	9.78	155.99	10.20	162.78	10.63	77	25	106.39	7.37	113.04	7.81	119.69	8.24	132.99	8.68	146.29	9.98	152.94	10.41	159.58	10.85	85	29.4	104.30	7.53	110.82	7.97	117.34	8.41	130.38	8.85	143.42	10.18	149.94	10.62	156.46	11.07	95	35	102.26	7.60	108.65	8.05	115.04	8.50	127.82	8.94	140.61	10.28	147.00	10.73	153.39	11.18	105	41	97.15	8.00	103.22	8.47	109.29	8.94	121.43	9.41	133.58	10.83	139.65	11.30	145.72	11.77	109	42.7	92.03	8.45	97.78	8.94	103.54	9.44	115.04	9.94	126.55	11.43	132.30	11.92	138.05	12.42	115	46	95.51	8.65	101.48	9.16	107.45	9.67	119.39	10.18	131.33	11.71	137.30	12.22	143.27	12.73	122	50	71.58	9.50	76.05	10.06	80.53	10.62	89.48	11.18	98.42	12.85	102.90	13.41	107.37	13.97
			-4	-20	130.92	6.21	139.10	6.58	147.29	6.94	163.65	7.31	180.02	8.40	188.20	8.77	196.38	9.13	5	-15	127.11	6.27	135.05	6.64	143.00	7.01	158.89	7.38	174.77	8.49	182.72	8.86	190.66	9.23	14	-10	123.41	6.40	131.12	6.78	138.83	7.16	154.26	7.53	169.68	8.66	177.40	9.04	185.11	9.41	23	-5	119.81	6.53	127.30	6.92	134.79	7.30	149.77	7.69	164.74	8.84	172.23	9.22	179.72	9.61	32	0	117.46	6.67	124.80	7.06	132.15	7.45	146.83	7.84	161.51	9.02	168.85	9.41	176.19	9.80	41	5	115.16	6.80	122.36	7.20	129.55	7.60	143.95	8.00	158.34	9.20	165.54	9.60	172.74	10.00	50	10	112.90	6.94	119.96	7.35	127.01	7.76	141.13	8.17	155.24	9.39	162.30	9.80	169.35	10.21	65	18.3	110.69	7.08	117.61	7.50	124.52	7.92	138.36	8.33	152.20	9.58	159.11	10.00	166.03	10.42	75	23.8	108.52	7.23	115.30	7.65	122.08	8.08	135.65	8.50	149.21	9.78	155.99	10.20	162.78	10.63	77	25	106.39	7.37	113.04	7.81	119.69	8.24	132.99	8.68	146.29	9.98	152.94	10.41	159.58	10.85	85	29.4	104.30	7.53	110.82	7.97	117.34	8.41	130.38	8.85	143.42	10.18	149.94	10.62	156.46	11.07	95	35	102.26	7.60	108.65	8.05	115.04	8.50	127.82	8.94	140.61	10.28	147.00	10.73	153.39	11.18	105	41	97.15	8.00	103.22	8.47	109.29	8.94	121.43	9.41	133.58	10.83	139.65	11.30	145.72	11.77	109	42.7	92.03	8.45	97.78	8.94	103.54	9.44	115.04	9.94	126.55	11.43	132.30	11.92	138.05	12.42	115	46	95.51	8.65	101.48	9.16	107.45	9.67	119.39	10.18	131.33	11.71	137.30	12.22	143.27	12.73	122	50	71.58	9.50	76.05	10.06	80.53	10.62	89.48	11.18	98.42	12.85	102.90	13.41	107.37	13.97																																																																																																																																																																																																																																																																			

70%

60%

Combination	Outdoor Ambient Temperature °F DB °C DB	Indoor Ambient Temperature of WB(oC WB)																							
		57(13.9)			61(16.1)			64(17.8)			67(19.4)			70(21.1)			72(22.2)			75 (23.9)					
		TC	PI	KW	TC	PI	KW	TC	PI	KW	TC	PI	KW	TC	PI	KW	TC	PI	KW	TC	PI	KW			
50%	-4	105.58	5.07	112.18	5.37	118.78	5.67	131.98	5.97	145.18	6.86	151.77	7.16	158.37	7.46										
	5	102.51	5.12	108.91	5.42	115.32	5.72	128.13	6.03	140.95	6.93	147.35	7.23	153.76	7.53										
	14	99.52	5.23	105.74	5.53	111.96	5.84	124.40	6.15	136.84	7.07	143.06	7.38	149.28	7.69										
	23	96.62	5.33	102.66	5.65	108.70	5.96	120.78	6.27	132.86	7.22	138.90	7.53	144.93	7.84										
	32	94.73	5.44	100.65	5.76	106.57	6.08	118.41	6.40	130.25	7.36	136.17	7.68	142.09	8.00										
	41	92.87	5.55	98.68	5.88	104.48	6.21	116.09	6.53	127.70	7.51	133.50	7.84	139.31	8.17										
	50	91.05	5.67	96.74	6.00	102.43	6.33	113.81	6.67	125.19	7.67	130.88	8.00	136.57	8.33										
	65	89.26	5.78	94.84	6.12	100.42	6.46	111.58	6.80	122.74	7.82	128.32	8.16	133.90	8.50										
	75	87.51	5.90	92.98	6.25	98.45	6.59	109.39	6.94	120.33	7.98	125.80	8.33	131.27	8.68										
	77	85.80	6.02	91.16	6.37	96.52	6.73	107.25	7.08	117.97	8.14	123.34	8.50	128.70	8.85										
	85	84.12	6.14	89.37	6.50	94.63	6.87	105.15	7.23	115.66	8.31	120.92	8.67	126.17	9.03										
	95	82.47	6.21	87.62	6.57	92.78	6.94	103.08	7.30	113.39	8.40	118.55	8.76	123.70	9.13										
	105	78.34	6.53	83.24	6.92	88.14	7.30	97.93	7.68	107.72	8.84	112.62	9.22	117.52	9.61										
	109	74.22	6.89	78.86	7.30	83.50	7.71	92.78	8.11	102.05	9.33	106.69	9.73	111.33	10.14										
115	73.06	6.71	77.62	7.11	82.19	7.50	91.32	7.90	100.45	9.08	105.02	9.47	109.58	9.87											
122	57.73	7.76	61.33	8.21	64.94	8.67	72.16	9.13	79.37	10.49	82.98	10.95	86.59	11.41											

MVHQ240ME4CA
460v cooling capacity

Combination	Outdoor Ambient Temperature °F DB °C DB	Indoor Ambient Temperature of WB(oC WB)																					
		57(13.9)			61(16.1)			64(17.8)			67(19.4)			70(21.1)			72(22.2)			75 (23.9)			
		TC	KBTU	PI	TC	KBTU	PI	TC	KBTU	PI	TC	KBTU	PI	TC	KBTU	PI	TC	KBTU	PI	TC	KBTU	PI	
130%	-4	244.57	14.88	15.75	259.86	16.63	17.50	305.71	17.50	336.28	20.13	351.57	21.00	366.85	21.88								
	5	237.45	15.03	15.91	252.29	16.80	17.68	296.81	17.68	326.49	20.33	341.33	21.22	356.17	22.10								
	14	230.53	15.33	16.24	244.94	17.14	18.04	288.16	18.04	316.98	20.75	331.39	21.65	345.80	22.55								
	23	223.82	15.65	16.57	237.80	17.49	18.41	279.77	18.41	307.75	21.17	321.74	22.09	335.72	23.01								
	32	219.43	15.97	16.91	233.14	17.85	18.78	274.28	18.78	301.71	21.60	315.43	22.54	329.14	23.48								
	41	215.12	16.29	17.25	228.57	18.21	19.17	268.91	19.17	295.80	22.04	309.24	23.00	322.69	23.96								
	50	210.91	16.63	17.60	224.09	18.58	19.56	263.63	19.56	290.00	22.49	303.18	23.47	316.36	24.45								
	65	206.77	16.96	17.96	219.69	18.96	19.96	258.46	19.96	284.31	22.95	297.23	23.95	310.16	24.95								
	75	202.72	17.31	18.33	215.39	19.35	20.37	253.40	20.37	278.74	23.42	291.41	24.44	304.08	25.46								
	77	198.74	17.66	18.70	211.16	19.74	20.78	248.43	20.78	273.27	23.90	285.69	24.94	298.11	25.98								
	85	194.85	18.02	19.09	207.02	20.15	21.21	243.56	21.21	267.91	24.39	280.09	25.45	292.27	26.51								
	95	191.02	18.21	19.28	202.96	20.35	21.42	238.78	21.42	262.66	24.63	274.60	25.70	286.54	26.78								
105	181.47	19.17	19.82	202.96	20.35	21.42	238.78	21.42	262.66	24.63	274.60	25.70	286.54	26.78									
109	171.92	20.23	182.67	21.42	193.41	22.61	214.90	23.80	236.39	27.37	247.14	28.56	257.88	29.75									
115	163.62	20.73	173.84	21.95	184.07	23.17	204.52	24.39	224.97	28.04	235.20	29.26	245.43	30.48									
122	133.72	22.76	142.07	24.10	150.43	25.44	167.15	26.78	183.86	30.79	192.22	32.13	200.58	33.47									
120%	-4	240.00	14.73	15.60	255.00	16.47	17.33	300.00	17.33	330.00	19.93	345.00	20.80	360.00	21.66								
	5	233.01	14.88	15.76	247.57	16.63	17.51	291.26	17.51	320.39	20.13	334.95	21.01	349.51	21.88								
	14	226.22	15.18	16.08	240.36	16.97	17.86	282.78	17.86	311.05	20.54	325.19	21.44	339.33	22.33								
	23	219.63	15.49	16.41	233.36	17.32	18.23	274.54	18.23	301.99	20.96	315.72	21.87	329.45	22.79								
	32	215.33	15.81	16.74	228.78	17.67	18.60	269.16	18.60	296.07	21.39	309.53	22.32	322.99	23.25								
	41	211.10	16.13	17.08	224.30	18.03	18.98	263.88	18.98	290.27	21.83	303.46	22.78	316.66	23.73								
	50	206.96	16.46	17.43	219.90	18.40	19.37	258.71	19.37	284.58	22.27	297.51	23.24	310.45	24.21								
	65	202.91	16.80	17.79	215.59	18.77	19.76	253.63	19.76	279.00	22.73	291.68	23.72	304.36	24.70								
	75	198.93	17.14	18.15	211.36	19.16	20.17	248.66	20.17	273.53	23.19	285.96	24.20	298.39	25.21								
	77	195.03	17.49	18.52	207.22	19.55	20.58	243.78	20.58	268.16	23.66	280.35	24.69	292.54	25.72								
	85	191.20	17.85	18.90	203.15	19.95	21.00	239.00	21.00	262.90	24.15	274.85	25.20	286.80	26.25								
	95	187.45	18.03	19.09	199.17	20.15	21.21	234.32	21.21	257.75	24.39	269.47	25.45	281.18	26.51								
105	178.08	18.98	189.21	20.09	200.34	21.21	222.60	22.33	244.86	25.68	255.99	26.79	267.12	27.91									
109	168.71	20.03	179.25	21.21	189.80	22.39	210.89	23.57	231.97	27.10	242.52	28.28	253.06	29.46									
115	157.32	20.53	167.16	21.73	176.99	22.94	196.65	24.15	216.32	27.77	226.15	28.98	235.99	30.18									
122	131.22	22.54	139.42	23.86	147.62	25.19	164.02	26.51	180.42	30.49	188.63	31.82	196.83	33.14									

Combination	Outdoor Ambient Temperature °F DB °C DB	Indoor Ambient Temperature of WB(oC WB)																																																																																																																																																																																																																																																																																																																																																																																																																																																																			
		57(13.9)				61(16.1)				64(17.8)				67(19.4)				70(21.1)				72(22.2)				75 (23.9)																																																																																																																																																																																																																																																																																																																																																																																																																																											
		TC	PI	KBTU	kW	TC	PI	KBTU	kW	TC	PI	KBTU	kW	TC	PI	KBTU	kW	TC	PI	KBTU	kW	TC	PI	KBTU	kW	TC	PI	KBTU	kW																																																																																																																																																																																																																																																																																																																																																																																																																																								
110%	-4	-20	235.43	14.73	250.14	15.60	264.86	16.47	294.28	17.33	323.71	19.93	338.43	20.80	353.14	21.66	228.57	14.88	242.86	15.76	257.14	16.63	285.71	17.51	314.28	20.13	328.57	21.01	342.85	21.88	221.91	15.18	235.78	16.08	249.65	16.97	277.39	17.86	305.13	20.54	319.00	21.44	332.87	22.33	215.45	15.49	228.91	16.41	242.38	17.32	269.31	18.23	296.24	20.96	309.71	21.87	323.17	22.79	211.22	15.81	224.43	16.74	237.63	17.67	264.03	18.60	290.43	21.39	303.64	22.32	316.84	23.25	207.08	16.13	220.03	17.08	232.97	18.03	258.85	18.98	284.74	21.83	297.68	22.78	310.62	23.73	203.02	16.46	215.71	17.43	228.40	18.40	253.78	19.37	279.16	22.27	291.84	23.24	304.53	24.21	199.04	16.80	211.48	17.79	223.92	18.77	248.80	19.76	273.68	22.73	286.12	23.72	298.56	24.70	195.14	17.14	207.33	18.15	219.53	19.16	243.92	20.17	268.32	23.19	280.51	24.20	292.71	25.21	191.31	17.49	203.27	18.52	215.23	19.55	239.14	20.58	263.05	23.66	275.01	24.69	286.97	25.72	187.56	17.85	199.28	18.90	211.01	19.95	234.45	21.00	257.90	24.15	269.62	25.20	281.34	26.25	183.88	18.03	195.38	19.09	206.87	20.15	229.85	21.21	252.84	24.39	264.33	25.45	275.83	26.51	174.69	18.98	185.61	20.09	196.53	21.21	218.36	22.33	240.20	25.68	251.12	26.79	262.03	27.91	165.50	20.03	175.84	21.21	186.18	22.39	206.87	23.57	227.56	27.10	237.90	28.28	248.24	29.46	154.33	20.53	163.97	21.73	173.62	22.94	192.91	24.15	212.20	27.77	221.85	28.98	231.49	30.18	128.72	22.54	136.76	23.86	144.81	25.19	160.90	26.51	176.99	30.49	185.03	31.82	193.08	33.14	100%	-4	-20	228.57	14.59	242.86	15.44	257.14	16.30	285.71	17.16	314.28	19.73	328.57	20.59	342.85	21.45	221.91	14.73	235.78	15.60	249.65	16.47	277.39	17.33	305.13	19.93	319.00	20.80	332.87	21.67	215.45	15.03	228.91	15.92	242.38	16.80	269.31	17.69	296.24	20.34	309.71	21.22	323.17	22.11	209.17	15.34	222.25	16.24	235.32	17.15	261.47	18.05	287.61	20.76	300.69	21.66	313.76	22.56	205.07	15.65	217.89	16.57	230.71	17.50	256.34	18.42	281.97	21.18	294.79	22.10	307.61	23.02	201.05	15.97	213.62	16.91	226.18	17.85	251.31	18.79	276.45	21.61	289.01	22.55	301.58	23.49	197.11	16.30	209.43	17.26	221.75	18.22	246.39	19.18	271.02	22.05	283.34	23.01	295.66	23.97	193.24	16.63	205.32	17.61	217.40	18.59	241.56	19.57	265.71	22.50	277.79	23.48	289.87	24.46	189.46	16.97	201.30	17.97	213.14	18.97	236.82	19.97	260.50	22.96	272.34	23.96	284.18	24.96	185.74	17.32	197.35	18.34	208.96	19.36	232.18	20.37	255.39	23.43	267.00	24.45	278.61	25.47	182.10	17.67	193.48	18.71	204.86	19.75	227.62	20.79	250.39	23.91	261.77	24.95	273.15	25.99	178.53	17.85	189.69	18.90	200.84	19.95	223.16	21.00	245.48	24.15	256.63	25.20	267.79	26.25	169.60	18.79	180.20	19.89	190.80	21.00	212.00	22.11	233.20	25.42	243.80	26.53	254.40	27.63	160.67	19.83	170.72	21.00	180.76	22.17	200.84	23.33	220.93	26.83	230.97	28.00	241.01	29.17	149.83	20.32	159.20	21.52	168.56	22.71	187.29	23.91	206.02	27.49	215.38	28.69	224.75	29.89	124.97	22.31	132.78	23.63	140.59	24.94	156.21	26.25	171.83	30.19	179.64	31.50	187.45	32.81

Combination	Outdoor Ambient Temperature °F DB / °C DB	Indoor Ambient Temperature of WB(oC WB)																																																																																																																																																																																																																																																																																																																																																																																																																																																															
		57(13.9)				61(16.1)				64(17.8)				67(19.4)				70(21.1)				72(22.2)				75 (23.9)																																																																																																																																																																																																																																																																																																																																																																																																																																							
		TC	KBTU	kW	PI	TC	KBTU	kW	PI	TC	KBTU	kW	PI	TC	KBTU	kW	PI	TC	KBTU	kW	PI	TC	KBTU	kW	PI	TC	KBTU	kW	PI																																																																																																																																																																																																																																																																																																																																																																																																																																				
90%	-4	205.71	12.11	218.57	12.82	231.43	13.53	257.14	14.24	282.86	16.38	295.71	17.09	308.57	17.80	199.72	12.23	212.20	12.95	224.69	13.67	249.65	14.39	274.62	16.54	287.10	17.26	299.58	17.98	193.90	12.48	206.02	13.21	218.14	13.95	242.38	14.68	266.62	16.88	278.74	17.62	290.86	18.35	188.26	12.73	200.02	13.48	211.79	14.23	235.32	14.98	258.85	17.23	270.62	17.98	282.38	18.73	184.57	12.99	196.10	13.76	207.64	14.52	230.71	15.29	253.78	17.58	265.31	18.34	276.85	19.11	180.95	13.26	192.26	14.04	203.56	14.82	226.18	15.60	248.80	17.94	260.11	18.72	271.42	19.50	177.40	13.53	188.49	14.32	199.57	15.12	221.75	15.92	243.92	18.30	255.01	19.10	266.10	19.90	173.92	13.80	184.79	14.62	195.66	15.43	217.40	16.24	239.14	18.68	250.01	19.49	260.88	20.30	170.51	14.09	181.17	14.92	191.82	15.74	213.14	16.57	234.45	19.06	245.11	19.89	255.76	20.72	167.17	14.37	177.61	15.22	188.06	16.07	208.96	16.91	229.85	19.45	240.30	20.29	250.75	21.14	163.89	14.67	174.13	15.53	184.37	16.39	204.86	17.26	225.35	19.84	235.59	20.71	245.83	21.57	160.67	14.82	170.72	15.69	180.76	16.56	200.84	17.43	220.93	20.04	230.97	20.92	241.01	21.79	152.64	15.60	162.18	16.51	171.72	17.43	190.80	18.35	209.88	21.10	219.42	22.02	228.96	22.93	144.61	16.46	153.65	17.43	162.68	18.40	180.76	19.37	198.84	22.27	207.87	23.24	216.91	24.21	139.34	16.26	148.05	17.21	156.76	18.17	174.18	19.13	191.60	22.00	200.31	22.95	209.02	23.91	112.47	18.52	119.50	19.61	126.53	20.70	140.59	21.79	154.65	25.06	161.68	26.15	168.71	27.23	187.43	10.36	199.14	10.97	210.86	11.57	234.28	12.18	257.71	14.01	269.43	14.62	281.14	15.23	181.97	10.46	193.34	11.08	204.71	11.69	227.46	12.31	250.21	14.15	261.58	14.77	272.95	15.38	176.67	10.67	187.71	11.30	198.75	11.93	220.84	12.56	242.92	14.44	253.96	15.07	265.00	15.70	171.52	10.89	182.24	11.53	192.96	12.17	214.40	12.81	235.84	14.74	246.56	15.38	257.28	16.02	168.16	11.11	178.67	11.77	189.18	12.42	210.20	13.08	231.22	15.04	241.73	15.69	252.24	16.34	164.86	11.34	175.17	12.01	185.47	12.68	206.08	13.34	226.69	15.34	236.99	16.01	247.29	16.68	161.63	11.57	171.73	12.25	181.83	12.93	202.04	13.61	222.24	15.66	232.34	16.34	242.44	17.02	158.46	11.81	168.36	12.50	178.27	13.20	198.08	13.89	217.88	15.98	227.79	16.67	237.69	17.37	155.35	12.05	165.06	12.76	174.77	13.47	194.19	14.18	213.61	16.30	223.32	17.01	233.03	17.72	152.31	12.30	161.83	13.02	171.35	13.74	190.38	14.47	209.42	16.64	218.94	17.36	228.46	18.08	149.32	12.55	158.65	13.28	167.99	14.02	186.65	14.76	205.32	16.98	214.65	17.71	223.98	18.45	146.39	12.67	155.54	13.42	164.69	14.16	182.99	14.91	201.29	17.15	210.44	17.89	219.59	18.64	139.07	13.34	147.77	14.13	156.46	14.91	173.84	15.69	191.23	18.05	199.92	18.83	208.61	19.62	131.75	14.08	139.99	14.91	148.22	15.74	164.69	16.57	181.16	19.05	189.40	19.88	197.63	20.71	133.35	14.43	141.69	15.28	150.02	16.13	166.69	16.98	183.36	19.52	191.69	20.37	200.03	21.22	102.47	15.84	108.88	16.77	115.28	17.71	128.09	18.64	140.90	21.43	147.31	22.37	153.71	23.30
	80%	-4	187.43	10.36	199.14	10.97	210.86	11.57	234.28	12.18	257.71	14.01	269.43	14.62	281.14	15.23	181.97	10.46	193.34	11.08	204.71	11.69	227.46	12.31	250.21	14.15	261.58	14.77	272.95	15.38	176.67	10.67	187.71	11.30	198.75	11.93	220.84	12.56	242.92	14.44	253.96	15.07	265.00	15.70	171.52	10.89	182.24	11.53	192.96	12.17	214.40	12.81	235.84	14.74	246.56	15.38	257.28	16.02	168.16	11.11	178.67	11.77	189.18	12.42	210.20	13.08	231.22	15.04	241.73	15.69	252.24	16.34	164.86	11.34	175.17	12.01	185.47	12.68	206.08	13.34	226.69	15.34	236.99	16.01	247.29	16.68	161.63	11.57	171.73	12.25	181.83	12.93	202.04	13.61	222.24	15.66	232.34	16.34	242.44	17.02	158.46	11.81	168.36	12.50	178.27	13.20	198.08	13.89	217.88	15.98	227.79	16.67	237.69	17.37	155.35	12.05	165.06	12.76	174.77	13.47	194.19	14.18	213.61	16.30	223.32	17.01	233.03	17.72	152.31	12.30	161.83	13.02	171.35	13.74	190.38	14.47	209.42	16.64	218.94	17.36	228.46	18.08	149.32	12.55	158.65	13.28	167.99	14.02	186.65	14.76	205.32	16.98	214.65	17.71	223.98	18.45	146.39	12.67	155.54	13.42	164.69	14.16	182.99	14.91	201.29	17.15	210.44	17.89	219.59	18.64	139.07	13.34	147.77	14.13	156.46	14.91	173.84	15.69	191.23	18.05	199.92	18.83	208.61	19.62	131.75	14.08	139.99	14.91	148.22	15.74	164.69	16.57	181.16	19.05	189.40	19.88	197.63	20.71	133.35	14.43	141.69	15.28	150.02	16.13	166.69	16.98	183.36	19.52	191.69	20.37	200.03	21.22																																																																																																																																																																																																																																													

Combination	Outdoor Ambient Temperature		Indoor Ambient Temperature of WB(oC WB)																																																																																																																																																																																																																																																																																																																																																																																																																																																															
			57(13.9)			61(16.1)			64(17.8)			67(19.4)			70(21.1)			72(22.2)			75 (23.9)																																																																																																																																																																																																																																																																																																																																																																																																																																													
			TC	PI	KW	TC	PI	KW	TC	PI	KW	TC	PI	KW	TC	PI	KW	TC	PI	KW	TC	PI	KW																																																																																																																																																																																																																																																																																																																																																																																																																																											
	°F DB	°C DB	164.57	8.75	174.86	9.27	185.14	9.78	205.71	10.30	226.28	11.84	236.57	12.36	246.86	12.87	159.78	8.84	169.76	9.36	179.75	9.88	199.72	10.40	219.69	11.96	229.68	12.48	239.67	13.00	155.12	9.02	164.82	9.55	174.51	10.08	193.90	10.61	213.29	12.20	222.99	12.73	232.68	13.27	150.61	9.20	160.02	9.75	169.43	10.29	188.26	10.83	207.08	12.45	216.49	12.99	225.91	13.54	147.65	9.39	156.88	9.94	166.11	10.50	184.57	11.05	203.02	12.71	212.25	13.26	221.48	13.81	144.76	9.58	153.80	10.15	162.85	10.71	180.95	11.28	199.04	12.97	208.09	13.53	217.14	14.09	141.92	9.78	150.79	10.36	159.66	10.93	177.40	11.51	195.14	13.23	204.01	13.81	212.88	14.38	139.14	9.98	147.83	10.57	156.53	11.15	173.92	11.74	191.31	13.50	200.01	14.09	208.70	14.68	136.41	10.18	144.93	10.78	153.46	11.38	170.51	11.98	187.56	13.78	196.09	14.38	204.61	14.98	133.73	10.39	142.09	11.00	150.45	11.61	167.17	12.22	183.88	14.06	192.24	14.67	200.60	15.28	131.11	10.60	139.31	11.23	147.50	11.85	163.89	12.47	180.28	14.35	188.47	14.97	196.67	15.59	128.54	10.71	136.57	11.34	144.61	11.97	160.67	12.60	176.74	14.49	184.78	15.12	192.81	15.75	122.11	11.27	129.75	11.94	137.38	12.60	152.64	13.26	167.91	15.25	175.54	15.92	183.17	16.58	115.69	11.90	122.92	12.60	130.15	13.30	144.61	14.00	159.07	16.10	166.30	16.80	173.53	17.50	116.87	11.58	124.17	12.27	131.48	12.95	146.09	13.63	160.70	15.67	168.00	16.35	175.30	17.03	89.98	13.39	95.60	14.18	101.23	14.96	112.47	15.75	123.72	18.11	129.34	18.90	134.97	19.69	141.71	7.15	150.57	7.57	159.43	7.99	177.14	8.41	194.86	9.67	203.71	10.09	212.57	10.51	137.59	7.22	146.18	7.64	154.78	8.07	171.98	8.49	189.18	9.77	197.78	10.19	206.38	10.62	133.58	7.37	141.93	7.80	150.28	8.23	166.97	8.67	183.67	9.97	192.02	10.40	200.37	10.83	129.69	7.52	137.79	7.96	145.90	8.40	162.11	8.84	178.32	10.17	186.43	10.61	194.53	11.05	127.14	7.67	135.09	8.12	143.04	8.57	158.93	9.02	174.82	10.38	182.77	10.83	190.72	11.28	124.65	7.83	132.44	8.29	140.23	8.75	155.81	9.21	171.40	10.59	179.19	11.05	186.98	11.51	122.21	7.99	129.85	8.46	137.48	8.93	152.76	9.40	168.04	10.81	175.67	11.28	183.31	11.75	119.81	8.15	127.30	8.63	134.79	9.11	149.76	9.59	164.74	11.03	172.23	11.51	179.72	11.99	117.46	8.32	124.80	8.81	132.14	9.29	146.83	9.78	161.51	11.25	168.85	11.74	176.19	12.23	115.16	8.49	122.36	8.99	129.55	9.48	143.95	9.98	158.34	11.48	165.54	11.98	172.74	12.48	112.90	8.66	119.96	9.17	127.01	9.68	141.13	10.19	155.24	11.72	162.30	12.22	169.35	12.73	110.69	8.75	117.61	9.26	124.52	9.78	138.36	10.29	152.19	11.83	159.11	12.35	166.03	12.86	105.15	9.21	111.72	9.75	118.30	10.29	131.44	10.83	144.59	12.46	151.16	13.00	157.73	13.54	99.62	9.72	105.84	10.29	112.07	10.86	124.52	11.43	136.98	13.15	143.20	13.72	149.43	14.29	103.38	9.96	109.85	10.54	116.31	11.13	129.23	11.72	142.15	13.47	148.61	14.06	155.08	14.64	77.48	10.93	82.32	11.58	87.17	12.22	96.85	12.86	106.54	14.79	111.38	15.44	116.22	16.08
			70%																																																																																																																																																																																																																																																																																																																																																																																																																																																															
			60%																																																																																																																																																																																																																																																																																																																																																																																																																																																															

Combination	Outdoor Ambient Temperature °F DB °C DB	Indoor Ambient Temperature of F WB(oC WB)																							
		57(13.9)			61(16.1)			64(17.8)			67(19.4)			70(21.1)			72(22.2)			75 (23.9)					
		TC	KBTU	PI	TC	KBTU	PI	TC	KBTU	PI	TC	KBTU	PI	TC	KBTU	PI	TC	KBTU	PI	TC	KBTU	PI			
50%	-4	114.28	5.83	6.18	121.43	6.18	128.57	6.52	142.86	6.86	157.14	7.89	164.28	8.24	171.43	8.58									
	5	110.96	5.89	6.24	117.89	6.24	124.83	6.59	138.70	6.93	152.56	7.97	159.50	8.32	166.43	8.67									
	14	107.72	6.01	6.37	114.46	6.37	121.19	6.72	134.66	7.07	148.12	8.14	154.85	8.49	161.59	8.84									
	23	104.59	6.14	6.50	111.12	6.50	117.66	6.86	130.73	7.22	143.81	8.30	150.34	8.66	156.88	9.02									
	32	102.54	6.26	6.63	108.94	6.63	115.35	7.00	128.17	7.37	140.99	8.47	147.40	8.84	153.80	9.21									
	41	100.53	6.39	6.77	106.81	6.77	113.09	7.14	125.66	7.52	138.22	8.64	144.51	9.02	150.79	9.40									
	50	98.55	6.52	6.90	104.71	6.90	110.87	7.29	123.19	7.67	135.51	8.82	141.67	9.20	147.83	9.59									
	65	96.62	6.65	7.04	102.66	7.04	108.70	7.44	120.78	7.83	132.86	9.00	138.89	9.39	144.93	9.78									
	75	94.73	6.79	7.19	100.65	7.19	106.57	7.59	118.41	7.99	130.25	9.18	136.17	9.58	142.09	9.98									
	77	92.87	6.93	7.33	98.67	7.33	104.48	7.74	116.09	8.15	127.70	9.37	133.50	9.78	139.31	10.19									
	85	91.05	7.07	7.48	96.74	7.48	102.43	7.90	113.81	8.32	125.19	9.56	130.88	9.98	136.57	10.40									
	95	89.26	7.14	7.56	94.84	7.56	100.42	7.98	111.58	8.40	122.74	9.66	128.32	10.08	133.90	10.50									
	105	84.80	7.52	7.96	90.10	7.96	95.40	8.40	106.00	8.84	116.60	10.17	121.90	10.61	127.20	11.05									
	109	80.34	7.93	8.40	85.36	8.40	90.38	8.87	100.42	9.33	110.46	10.73	115.49	11.20	120.51	11.67									
115	79.08	7.72	8.18	84.02	8.18	88.96	8.63	98.85	9.09	108.73	10.45	113.67	10.90	118.62	11.36										
122	62.48	8.93	9.45	66.39	9.45	70.30	9.98	78.11	10.50	85.92	12.08	89.82	12.60	93.73	13.13										

Combination	Outdoor Ambient Temperature °F DB °C DB	Indoor Ambient Temperature °F WB(°C WB)																								
		59(15)			64(17.8)			68(20)			70(21.1)			72(22.2)			74(23.3)			75(23.9)			80(26.7)			
		TC	PI	KW	TC	PI	KW	TC	PI	KW	TC	PI	KW	TC	PI	KW	TC	PI	KW	TC	PI	KW	TC	PI	KW	
	-22	30.28	8.43	28.30	7.88	26.46	7.37	24.02	6.69	23.87	6.65	22.89	6.37	21.16	5.89	19.57	5.45									
	-13	61.56	11.65	57.55	12.23	53.79	12.84	48.84	13.40	48.54	13.62	46.54	13.75	43.04	14.57	39.80	15.43									
	-4	71.65	11.31	66.98	11.88	62.61	12.47	56.84	13.01	56.50	13.22	54.17	13.35	50.09	14.14	46.32	14.98									
	-2.2	72.66	10.95	67.92	11.50	63.49	12.07	57.64	12.59	57.29	12.79	54.93	12.92	50.80	13.69	46.97	14.50									
	4.1	81.75	10.82	76.42	11.36	71.43	11.93	64.85	12.45	64.45	12.65	61.80	12.77	57.15	13.53	52.84	14.33									
	12	83.77	9.83	78.30	10.27	73.20	10.73	66.45	11.20	66.05	11.31	63.32	11.71	58.56	12.35	54.15	13.02									
	13.1	85.78	8.77	80.19	9.15	74.96	9.56	68.05	9.96	67.64	10.18	64.85	10.37	59.97	10.80	55.45	11.24									
	15	70.65	5.14	70.75	5.27	66.14	5.41	60.05	5.70	59.68	5.79	57.22	5.96	52.91	6.19	48.93	6.43									
	18	71.34	5.45	71.34	5.69	71.34	5.94	72.06	6.19	71.34	6.29	71.34	6.37	71.34	6.67	71.34	6.97									
	21	72.13	5.71	71.96	5.95	71.80	6.19	72.86	6.44	71.80	6.55	71.71	6.62	71.55	6.77	71.38	6.92									
	24	74.56	5.98	73.74	6.25	72.92	6.53	73.66	6.76	72.51	6.85	72.10	6.61	71.11	6.44	70.14	6.27									
	28	81.85	6.37	78.51	6.54	75.30	6.70	75.26	6.71	73.70	6.61	72.66	6.40	70.58	5.84	68.55	5.33									
	32	84.58	6.63	82.94	6.65	81.33	6.67	76.86	6.66	75.69	6.37	73.92	6.02	70.22	5.33	66.70	4.72									
	40	92.09	7.03	88.19	6.91	84.45	6.79	78.46	6.26	77.96	5.96	75.20	5.64	70.32	4.93	65.77	4.31									
	43	100.92	7.92	94.34	7.20	88.19	6.55	80.06	5.56	79.57	5.58	76.29	5.26	70.55	4.61	65.24	4.04									
	47	100.92	7.34	94.34	6.73	88.19	6.17	81.50	5.42	79.57	5.30	76.29	5.05	70.55	4.42	65.24	3.86									
	50	100.92	6.96	94.34	6.38	88.19	5.84	81.51	5.35	79.57	5.10	76.29	4.86	70.55	4.18	65.24	3.59									
	53	100.92	6.85	94.34	6.29	88.19	5.77	81.51	5.28	79.57	5.07	76.29	4.85	70.55	4.18	65.24	3.61									
	56	100.92	6.87	94.34	6.27	88.19	5.72	81.51	5.29	79.57	5.05	76.29	4.83	70.55	4.14	65.24	3.55									
	57	100.92	6.82	94.34	6.23	88.19	5.69	81.51	5.23	79.57	4.80	76.29	4.77	70.55	3.93	65.24	3.24									
	60	100.92	6.81	94.34	6.19	88.19	5.62	81.51	5.21	79.57	4.78	76.29	4.76	70.55	3.90	65.24	3.21									

130%

Combination	Outdoor Ambient Temperature		Indoor Ambient Temperature °F WB(°C WB)																										
			59(15)			64(17.8)			68(20)			70(21.1)			72(22.2)			74(23.3)			75(23.9)			80(26.7)					
	°F DB	°C DB	TC	PI	KW	TC	PI	KW	TC	PI	KW	TC	PI	KW	TC	PI	KW	TC	PI	KW	TC	PI	KW	TC	PI	KW			
	-22	-30	29.99	8.35	7.80	28.03	7.30	23.79	6.62	23.64	6.58	22.67	6.31	20.96	5.84	19.38	5.40												
	-13	-25	60.97	11.77	12.36	56.99	12.98	48.37	13.54	48.07	13.76	46.09	13.90	42.62	14.72	39.41	15.59												
	-4	-20	70.97	11.43	12.00	66.34	12.60	56.30	13.14	55.95	13.35	53.65	13.49	49.61	14.29	45.87	15.14												
	-2.2	-19	71.97	11.06	11.61	67.27	11.61	62.88	12.19	57.09	12.72	56.74	12.93	54.40	13.06	50.31	13.83	14.65											
	4.1	-15.5	80.96	10.93	11.48	75.68	11.48	70.74	12.05	64.23	12.57	63.83	12.78	61.20	12.91	56.60	13.67	14.48											
	12	-11.1	82.96	9.93	10.37	77.55	10.37	72.49	10.84	65.81	11.32	65.41	11.42	62.71	11.83	57.99	12.47	13.15											
	13.1	-10.5	84.96	8.86	9.25	79.42	9.25	74.24	9.66	67.40	10.06	66.99	10.29	64.22	10.48	59.39	10.91	11.35											
	15	-9.4	69.97	5.20	5.33	65.40	5.33	61.14	5.47	55.50	5.76	55.17	5.85	52.89	6.02	48.91	6.25	6.50											
	18	-7.8	70.65	5.51	5.75	70.65	6.01	71.36	6.26	70.65	6.35	70.65	6.44	70.65	6.73	70.65	7.04												
	21	-6.1	71.44	5.77	6.01	71.27	6.01	71.11	6.26	72.16	6.50	71.11	6.61	71.02	6.69	70.86	6.99												
	24	-4.4	73.85	6.04	6.31	73.03	6.31	72.21	6.60	72.95	6.83	71.81	6.92	71.40	6.68	70.43	6.33												
	28	-2.2	81.06	6.44	6.60	77.75	6.60	74.58	6.77	74.53	6.78	72.99	6.68	71.96	6.47	69.90	5.39												
	32	0	83.77	6.70	6.72	82.14	6.72	80.55	6.74	76.12	6.73	74.97	6.43	73.21	6.08	69.54	4.77												
	40	4.4	91.21	7.10	6.98	87.34	6.98	83.64	6.86	77.71	6.33	77.21	6.02	74.47	5.69	69.65	4.35												
	43	6.1	99.95	8.00	7.28	93.43	7.28	87.34	6.62	79.29	5.62	78.81	5.64	75.56	5.31	69.87	4.08												
	47	8.3	99.95	7.41	6.80	93.43	6.80	87.34	6.23	80.72	5.47	78.81	5.36	75.56	5.10	69.87	3.90												
	50	10	99.95	7.04	6.44	93.43	6.44	87.34	5.90	80.72	5.41	78.81	5.15	75.56	4.91	69.87	3.63												
	53	11.7	99.95	6.92	6.35	93.43	6.35	87.34	5.83	80.72	5.33	78.81	5.12	75.56	4.90	69.87	3.65												
	56	13.3	99.95	6.94	6.33	93.43	6.33	87.34	5.77	80.72	5.35	78.81	5.10	75.56	4.88	69.87	3.59												
	57	13.9	99.95	6.89	6.29	93.43	6.29	87.34	5.75	80.72	5.29	78.81	4.85	75.56	4.82	69.87	3.28												
	60	15.6	99.95	6.88	6.25	93.43	6.25	87.34	5.68	80.72	5.26	78.81	4.83	75.56	4.80	69.87	3.24												

120%

Combination	Outdoor Ambient Temperature °C DB		Indoor Ambient Temperature °F WB(°C WB)																																																																																																																																																																																																																																																																																																																																															
			59(15)				64(17.8)				68(20)				70(21.1)				72(22.2)				74(23.3)				75(23.9)				80(26.7)																																																																																																																																																																																																																																																																																																																			
			TC	PI	KBTU	kW	TC	PI	KBTU	kW	TC	PI	KBTU	kW	TC	PI	KBTU	kW	TC	PI	KBTU	kW	TC	PI	KBTU	kW	TC	PI	KBTU	kW	TC	PI	KBTU	kW																																																																																																																																																																																																																																																																																																																
	-22	-30	29.40	8.19	27.49	7.65	25.69	7.15	23.33	6.49	23.18	6.45	22.23	6.19	20.55	5.72	19.01	5.29	59.79	11.89	55.89	12.49	52.24	13.11	47.43	13.67	47.14	13.90	45.20	14.04	41.79	14.87	38.65	15.75	69.59	11.55	65.05	12.12	60.81	12.73	55.20	13.28	54.87	13.49	52.61	13.63	48.65	14.44	44.98	15.29	70.57	11.17	65.97	11.73	61.66	12.32	55.98	12.85	55.64	13.06	53.35	13.19	49.33	13.97	45.62	14.80	79.39	11.04	74.21	11.60	69.37	12.17	62.98	12.70	62.60	12.91	60.01	13.04	55.50	13.81	51.32	14.63	81.35	10.03	76.04	10.48	71.08	10.95	64.53	11.43	64.14	11.54	61.50	11.95	56.87	12.60	52.59	13.28	83.31	8.95	77.88	9.34	72.80	9.75	66.09	10.16	65.69	10.39	62.98	10.58	58.24	11.02	53.85	11.47	68.61	5.25	64.13	5.38	59.95	5.52	54.43	5.82	54.09	5.91	51.86	6.08	47.96	6.32	44.35	6.57	69.28	5.56	69.28	5.81	69.28	6.07	69.98	6.32	69.28	6.42	69.28	6.50	69.28	6.80	69.28	7.11	70.05	5.83	69.89	6.07	69.73	6.32	70.75	6.57	69.73	6.68	69.64	6.76	69.48	6.91	69.32	7.06	72.41	6.10	71.61	6.38	70.81	6.66	71.53	6.90	70.41	6.99	70.02	6.75	69.06	6.57	68.12	6.40	79.49	6.50	76.24	6.67	73.13	6.84	73.09	6.85	71.57	6.74	70.56	6.53	68.54	5.96	66.58	5.44	82.14	6.77	80.55	6.79	78.98	6.81	74.64	6.80	73.51	6.50	71.79	6.14	68.19	5.44	64.78	4.82	89.43	7.17	85.65	7.05	82.02	6.93	76.20	6.39	75.71	6.08	73.03	5.75	68.30	5.03	63.87	4.40	98.01	8.08	91.62	7.35	85.64	6.69	77.75	5.67	77.28	5.70	74.09	5.36	68.51	4.70	63.36	4.12	98.01	7.49	91.62	6.87	85.64	6.30	79.15	5.53	77.28	5.41	74.09	5.16	68.51	4.51	63.36	3.94	98.01	7.11	91.62	6.51	85.64	5.96	79.16	5.46	77.28	5.21	74.09	4.96	68.51	4.26	63.36	3.67	98.01	6.99	91.62	6.42	85.64	5.89	79.16	5.39	77.28	5.17	74.09	4.95	68.51	4.27	63.36	3.68	98.01	7.01	91.62	6.39	85.64	5.83	79.16	5.40	77.28	5.15	74.09	4.93	68.51	4.23	63.36	3.62	98.01	6.96	91.62	6.36	85.64	5.81	79.16	5.34	77.28	4.90	74.09	4.87	68.51	4.01	63.36	3.31	98.01	6.95	91.62	6.32	85.64	5.74	79.16	5.31	77.28	4.88	74.09	4.85	68.51	3.98	63.36	3.27

110%

Combination	Outdoor Ambient Temperature		Indoor Ambient Temperature °F WB(°C WB)																															
			59(15)				64(17.8)				68(20)				70(21.1)				72(22.2)				74(23.3)				75(23.9)				80(26.7)			
	°F DB	°C DB	TC	KBTU	PI	KW	TC	KBTU	PI	KW	TC	KBTU	PI	KW	TC	KBTU	PI	KW	TC	KBTU	PI	KW	TC	KBTU	PI	KW	TC	KBTU	PI	KW				
	-22	-30	29.11	8.11	27.21	7.58	25.44	7.08	23.58	6.57	22.95	6.39	22.01	6.13	20.35	5.67	18.82	5.24																
	-13	-25	59.19	12.01	55.33	12.61	51.73	13.24	46.47	13.81	46.67	14.04	44.75	14.18	41.38	15.02	38.27	15.91																
	-4	-20	68.90	11.66	64.41	12.24	60.20	12.86	54.32	13.41	54.32	13.63	52.08	13.77	48.16	14.58	44.54	15.44																
	-2.2	-19	69.87	11.29	65.31	11.85	61.05	12.44	54.52	12.98	55.09	13.19	52.82	13.32	48.84	14.11	45.17	14.95																
	4.1	-15.5	78.60	11.16	73.48	11.71	68.68	12.30	62.10	12.83	61.98	13.04	59.42	13.17	54.95	13.95	50.81	14.77																
	12	-11.1	80.54	10.13	75.29	10.59	70.38	11.06	63.13	11.55	63.51	11.66	60.89	12.08	56.30	12.73	52.07	13.42																
	13.1	-10.5	82.48	9.04	77.10	9.44	72.08	9.85	68.51	10.26	65.04	10.50	62.35	10.69	57.66	11.13	53.32	11.59																
	15	-9.4	67.93	5.30	63.50	5.44	59.36	5.58	53.99	5.88	53.56	5.97	51.35	6.14	47.49	6.38	43.91	6.63																
	18	-7.8	68.59	5.62	68.59	5.87	68.59	6.13	69.28	6.38	68.59	6.48	68.59	6.57	68.59	6.87	68.59	7.19																
	21	-6.1	69.35	5.89	69.19	6.13	69.03	6.39	70.05	6.64	69.03	6.75	68.96	6.82	68.80	6.98	68.64	7.13																
	24	-4.4	71.70	6.17	70.90	6.44	70.11	6.73	70.82	6.97	69.72	7.06	69.32	6.82	68.38	6.64	67.45	6.46																
	28	-2.2	78.70	6.57	75.49	6.74	72.41	6.91	72.36	6.91	70.87	6.81	69.86	6.60	67.86	6.02	65.92	5.50																
	32	0	81.33	6.83	79.75	6.86	78.20	6.88	73.90	6.87	72.78	6.56	71.08	6.20	67.52	5.50	64.13	4.87																
	40	4.4	88.55	7.24	84.80	7.12	81.21	7.00	75.44	6.45	74.96	6.14	72.30	5.81	67.62	5.08	63.24	4.44																
	43	6.1	97.04	8.16	90.71	7.43	84.80	6.76	78.61	5.73	76.51	5.75	73.36	5.42	67.84	4.75	62.73	4.16																
	47	8.3	97.04	7.57	90.71	6.94	84.80	6.36	78.37	5.59	76.51	5.46	73.36	5.21	67.84	4.56	62.73	3.98																
	50	10	97.04	7.18	90.71	6.58	84.80	6.02	78.37	5.52	76.51	5.26	73.36	5.01	67.84	4.31	62.73	3.70																
	53	11.7	97.04	7.06	90.71	6.48	84.80	5.95	78.37	5.44	76.51	5.22	73.36	5.00	67.84	4.31	62.73	3.72																
	56	13.3	97.04	7.08	90.71	6.46	84.80	5.89	78.37	5.46	76.51	5.20	73.36	4.98	67.84	4.27	62.73	3.66																
	57	13.9	97.04	7.03	90.71	6.42	84.80	5.86	78.37	5.39	76.51	4.95	73.36	4.92	67.84	4.05	62.73	3.34																
	60	15.6	97.04	7.02	90.71	6.38	84.80	5.79	78.37	5.37	76.51	4.93	73.36	4.90	67.84	4.03	62.73	3.31																

100%

Combination	Outdoor Ambient Temperature		Indoor Ambient Temperature °F WB(°C WB)																																																																																																																																																																																																																																																																																																																																																																																									
			59(15)				64(17.8)				68(20)				70(21.1)				72(22.2)				74(23.3)				75(23.9)				80(26.7)																																																																																																																																																																																																																																																																																																																																																													
			TC	PI	KBTU	kW	TC	PI	KBTU	kW	TC	PI	KBTU	kW	TC	PI	KBTU	kW	TC	PI	KBTU	kW	TC	PI	KBTU	kW	TC	PI	KBTU	kW	TC	PI	KBTU	kW																																																																																																																																																																																																																																																																																																																																																										
	°F DB	°C DB	-22	-30	26.78	7.46	25.04	6.97	23.40	6.52	21.25	5.92	21.12	5.88	20.25	5.64	18.72	5.21	17.31	4.82	-13	-25	54.46	10.93	50.91	11.48	47.59	12.05	43.20	12.57	42.94	12.77	41.17	12.90	38.07	13.67	35.20	14.48	-4	-20	63.39	10.61	59.25	11.14	55.39	11.70	50.28	12.20	49.98	12.40	47.92	12.53	44.31	13.27	40.98	14.05	-2.2	-19	64.28	10.27	60.09	10.78	56.17	11.32	50.99	11.81	50.68	12.00	48.59	12.13	44.93	12.84	41.55	13.60	4.1	-15.5	72.31	10.15	67.60	10.66	63.19	11.19	57.37	11.68	57.02	11.86	54.67	11.98	50.55	12.69	46.75	13.45	12	-11.1	74.10	9.22	69.27	9.63	64.75	10.06	58.78	10.51	58.43	10.61	56.02	10.99	51.80	11.58	47.90	12.21	13.1	-10.5	75.89	8.23	70.94	8.59	66.31	8.97	60.20	9.34	59.83	9.55	57.37	9.73	53.05	10.13	49.06	10.54	15	-9.4	62.49	4.82	58.42	4.95	54.61	5.08	49.58	5.35	49.27	5.43	47.24	5.59	43.69	5.81	40.40	6.04	18	-7.8	63.11	5.11	63.11	5.34	63.11	5.58	63.74	5.81	63.11	5.90	63.11	5.98	63.11	6.25	63.11	6.49	21	-6.1	63.81	5.36	63.66	5.58	63.51	5.81	64.45	6.04	63.51	6.14	63.44	6.21	63.29	6.35	63.15	6.49	24	-4.4	65.96	5.61	65.23	5.86	64.50	6.12	65.16	6.34	64.14	6.43	63.78	6.20	62.91	6.04	62.05	5.88	28	-2.2	72.40	5.98	69.45	6.13	66.61	6.29	66.57	6.29	65.20	6.20	64.27	6.00	62.43	5.48	60.64	5.00	32	0	74.82	6.22	73.37	6.24	71.95	6.26	67.99	6.25	66.96	5.97	65.39	5.64	62.12	5.00	59.00	4.43	40	4.4	81.46	6.59	78.01	6.48	74.71	6.37	69.41	5.87	68.96	5.59	66.52	5.29	62.21	4.62	58.18	4.04	43	6.1	89.28	7.43	83.45	6.76	78.01	6.15	70.82	5.21	70.39	5.23	67.49	4.93	62.41	4.32	57.71	3.79	47	8.3	89.28	6.89	83.45	6.31	78.01	5.79	72.10	5.08	70.39	4.97	67.49	4.74	62.41	4.15	57.71	3.63	50	10	89.28	6.53	83.45	5.98	78.01	5.48	72.10	5.02	70.39	4.79	67.49	4.56	62.41	3.92	57.71	3.37	53	11.7	89.28	6.42	83.45	5.90	78.01	5.42	72.10	4.95	70.39	4.75	67.49	4.55	62.41	3.92	57.71	3.39	56	13.3	89.28	6.44	83.45	5.88	78.01	5.36	72.10	4.96	70.39	4.74	67.49	4.53	62.41	3.88	57.71	3.33	57	13.9	89.28	6.40	83.45	5.84	78.01	5.34	72.10	4.91	70.39	4.50	67.49	4.47	62.41	3.69	57.71	3.04	60	15.6	89.28	6.39	83.45	5.81	78.01	5.27	72.10	4.88	70.39	4.49	67.49	4.46	62.41	3.66	57.71	3.01

Combination	Outdoor Ambient Temperature °F DB °C DB		Indoor Ambient Temperature °F WB(°C WB)																																					
			59(15)				64(17.8)				68(20)				70(21.1)				72(22.2)				74(23.3)				75(23.9)				80(26.7)									
			TC	PI	KBTU	kW	TC	PI	KBTU	kW	TC	PI	KBTU	kW	TC	PI	KBTU	kW	TC	PI	KBTU	kW	TC	PI	KBTU	kW	TC	PI	KBTU	kW	TC	PI	KBTU	kW						
	-22	-30	23.58	6.57	22.04	6.14	20.61	5.74	18.71	5.21	18.59	5.18	17.83	4.96	16.48	4.59	15.24	4.24																						
	-13	-25	47.95	8.85	44.82	9.30	41.90	9.76	38.04	10.18	37.81	10.35	36.25	10.45	33.52	11.07	31.00	11.73																						
	-4	-20	55.81	8.60	52.17	9.03	48.77	9.48	44.27	9.88	44.00	10.04	42.19	10.15	39.01	10.75	36.08	11.38																						
	-2.2	-19	56.59	8.32	52.90	8.74	49.45	9.17	44.90	9.57	44.62	9.72	42.78	9.82	39.56	10.40	36.58	11.02																						
	4.1	-15.5	63.67	8.22	59.52	8.63	55.63	9.06	50.51	9.46	50.20	9.61	48.13	9.71	44.51	10.28	41.16	10.89																						
	12	-11.1	65.24	7.47	60.99	7.80	57.01	8.15	51.75	8.51	51.44	8.59	49.32	8.90	45.61	9.38	42.17	9.89																						
	13.1	-10.5	66.81	6.66	62.45	6.96	58.38	7.26	53.00	7.57	52.68	7.74	50.51	7.88	46.71	8.20	43.19	8.54																						
	15	-9.4	55.02	3.91	51.43	4.01	48.08	4.11	43.65	4.33	43.38	4.40	41.59	4.53	38.46	4.70	35.57	4.89																						
	18	-7.8	55.56	4.14	55.56	4.33	55.56	4.52	56.12	4.71	55.56	4.78	55.56	4.84	55.56	5.06	55.56	5.30																						
	21	-6.1	56.18	4.34	56.05	4.52	55.92	4.71	56.74	4.89	55.92	4.97	55.85	5.03	55.72	5.14	55.60	5.26																						
	24	-4.4	58.07	4.55	57.43	4.75	56.79	4.96	57.37	5.14	56.47	5.21	56.15	5.03	55.39	4.89	54.63	4.76																						
	28	-2.2	63.75	4.84	61.14	4.97	58.65	5.09	58.61	5.10	57.40	5.02	56.59	4.86	54.97	4.44	53.39	4.05																						
	32	0	65.88	5.04	64.60	5.05	63.34	5.07	59.86	5.06	58.95	4.84	57.57	4.57	54.69	4.05	51.95	3.59																						
	40	4.4	71.72	5.34	68.69	5.25	65.78	5.16	61.11	4.76	60.72	4.53	58.57	4.28	54.77	3.75	51.22	3.28																						
	43	6.1	78.60	6.02	73.48	5.47	68.68	4.98	62.36	4.22	61.98	4.24	59.42	3.99	54.95	3.50	50.81	3.07																						
	47	8.3	78.60	5.58	73.48	5.11	68.68	4.69	63.48	4.12	61.98	4.03	59.42	3.84	54.95	3.36	50.81	2.94																						
	50	10	78.60	5.29	73.48	4.85	68.68	4.44	63.48	4.07	61.98	3.88	59.42	3.69	54.95	3.17	50.81	2.73																						
	53	11.7	78.60	5.20	73.48	4.78	68.68	4.39	63.48	4.01	61.98	3.85	59.42	3.69	54.95	3.18	50.81	2.74																						
	56	13.3	78.60	5.22	73.48	4.76	68.68	4.34	63.48	4.02	61.98	3.84	59.42	3.67	54.95	3.15	50.81	2.70																						
	57	13.9	78.60	5.18	73.48	4.73	68.68	4.32	63.48	3.98	61.98	3.65	59.42	3.62	54.95	2.99	50.81	2.46																						
	60	15.6	78.60	5.18	73.48	4.70	68.68	4.27	63.48	3.96	61.98	3.63	59.42	3.61	54.95	2.97	50.81	2.44																						

80%

Combination	Outdoor Ambient Temperature		Indoor Ambient Temperature °F WB(°C WB)																									
			59(15)			64(17.8)			68(20)			70(21.1)			72(22.2)			74(23.3)			75(23.9)			80(26.7)				
			°F DB	°C DB	TC	KBTU	PI	kW	TC	KBTU	PI	kW	TC	KBTU	PI	kW	TC	KBTU	PI	kW	TC	KBTU	PI	kW	TC	KBTU	PI	kW
	-22	-30	20.38	5.67	19.05	5.30	17.81	4.96	16.17	4.50	16.07	4.47	15.41	4.29	14.25	3.97	13.17	3.67										
	-13	-25	41.44	8.41	38.73	8.83	36.21	9.27	32.87	9.67	32.67	9.83	31.32	9.93	28.97	10.51	26.79	11.14										
	-4	-20	48.23	8.16	45.08	8.57	42.14	9.00	38.26	9.39	38.03	9.54	36.46	9.64	33.71	10.21	31.18	10.81										
	-2.2	-19	48.91	7.90	45.72	8.30	42.74	8.71	38.80	9.09	38.56	9.23	36.97	9.33	34.19	9.88	31.62	10.46										
	4.1	-15.5	55.02	7.81	51.43	8.20	48.08	8.61	43.65	8.98	43.38	9.13	41.59	9.22	38.46	9.76	35.57	10.34										
	12	-11.1	56.38	7.09	52.70	7.41	49.27	7.74	44.73	8.08	44.45	8.16	42.62	8.45	39.41	8.91	36.45	9.39										
	13.1	-10.5	57.74	6.33	53.97	6.61	50.45	6.90	45.80	7.18	45.53	7.35	43.65	7.48	40.36	7.79	37.32	8.11										
	15	-9.4	47.55	3.71	44.45	3.81	41.55	3.90	37.72	4.12	37.49	4.18	35.95	4.30	33.24	4.47	30.74	4.64										
	18	-7.8	48.02	3.93	48.02	4.11	48.02	4.29	48.50	4.47	48.02	4.54	48.02	4.60	48.02	4.81	48.02	5.03										
	21	-6.1	48.55	4.12	48.44	4.29	48.32	4.47	49.04	4.64	48.32	4.72	48.27	4.78	48.16	4.88	48.05	4.99										
	24	-4.4	50.19	4.32	49.63	4.51	49.08	4.71	49.58	4.88	48.80	4.95	48.53	4.77	47.86	4.65	47.21	4.52										
	28	-2.2	55.09	4.60	52.84	4.72	50.68	4.84	50.65	4.84	49.61	4.77	48.90	4.62	47.50	4.22	46.14	3.85										
	32	0	56.93	4.78	55.83	4.80	54.74	4.82	51.73	4.81	50.95	4.60	49.76	4.34	47.26	3.85	44.89	3.41										
	40	4.4	61.98	5.07	59.36	4.98	56.84	4.90	52.81	4.52	52.47	4.30	50.61	4.07	47.33	3.56	44.27	3.11										
	43	6.1	67.93	5.71	63.50	5.20	59.36	4.73	53.89	4.01	53.56	4.03	51.35	3.79	47.49	3.32	43.91	2.91										
	47	8.3	67.93	5.30	63.50	4.86	59.36	4.45	54.86	3.91	53.56	3.83	51.35	3.65	47.49	3.19	43.91	2.79										
	50	10	67.93	5.03	63.50	4.60	59.36	4.22	54.86	3.86	53.56	3.68	51.35	3.51	47.49	3.02	43.91	2.59										
	53	11.7	67.93	4.94	63.50	4.54	59.36	4.17	54.86	3.81	53.56	3.66	51.35	3.50	47.49	3.02	43.91	2.60										
	56	13.3	67.93	4.96	63.50	4.52	59.36	4.12	54.86	3.82	53.56	3.64	51.35	3.49	47.49	2.99	43.91	2.56										
	57	13.9	67.93	4.92	63.50	4.50	59.36	4.10	54.86	3.78	53.56	3.46	51.35	3.44	47.49	2.84	43.91	2.34										
	60	15.6	67.93	4.92	63.50	4.47	59.36	4.06	54.86	3.76	53.56	3.45	51.35	3.43	47.49	2.82	43.91	2.31										

Combination	Outdoor Ambient Temperature °F DB / °C DB	Indoor Ambient Temperature °F WB(°C WB)																							
		59(15)			64(17.8)			68(20)			70(21.1)			72(22.2)			74(23.3)			75(23.9)			80(26.7)		
		TC	PI	KW	TC	PI	KW	TC	PI	KW	TC	PI	KW	TC	PI	KW	TC	PI	KW	TC	PI	KW	TC	PI	KW
	-22	18.34	5.11	17.14	4.77	16.03	4.46	14.55	4.05	14.46	4.03	13.86	3.86	12.82	3.57	11.86	3.30								
	-13	37.29	7.45	34.86	7.82	32.59	8.21	29.58	8.56	29.40	8.70	28.19	8.79	26.07	9.31	24.11	9.86								
	-4	43.41	7.23	40.58	7.59	37.93	7.97	34.43	8.31	34.22	8.45	32.81	8.54	30.34	9.04	28.06	9.58								
	-2.2	44.02	7.00	41.15	7.35	38.46	7.71	34.92	8.05	34.71	8.18	33.28	8.26	30.77	8.75	28.45	9.27								
	4.1	49.52	6.92	46.29	7.26	43.27	7.62	39.28	7.95	39.04	8.08	37.43	8.17	34.62	8.65	32.01	9.16								
	12	50.74	6.28	47.43	6.56	44.34	6.86	40.25	7.16	40.01	7.23	38.36	7.49	35.47	7.89	32.80	8.32								
	13.1	51.97	5.61	48.58	5.85	45.41	6.11	41.22	6.36	40.97	6.51	39.28	6.63	36.33	6.90	33.59	7.18								
	15	42.79	3.29	40.00	3.37	37.39	3.46	33.95	3.65	33.74	3.70	32.35	3.81	29.92	3.96	27.66	4.11								
	18	43.21	3.48	43.21	3.64	43.21	3.80	43.65	3.96	43.21	4.02	43.21	4.07	43.21	4.26	43.21	4.46								
	21	43.69	3.65	43.59	3.80	43.49	3.96	44.13	4.11	43.49	4.18	43.44	4.23	43.34	4.33	43.24	4.42								
60%	24	45.17	3.82	44.67	3.99	44.17	4.17	44.62	4.32	43.92	4.38	43.67	4.23	43.08	4.12	42.49	4.01								
	28	49.58	4.07	47.56	4.18	45.62	4.28	45.59	4.29	44.65	4.22	44.01	4.09	42.75	3.73	41.53	3.41								
	32	51.24	4.24	50.24	4.25	49.27	4.27	46.56	4.26	45.85	4.07	44.78	3.85	42.54	3.41	40.40	3.02								
	40	55.79	4.49	53.42	4.41	51.16	4.34	47.53	4.00	47.22	3.81	45.55	3.60	42.60	3.15	39.84	2.75								
	43	61.14	5.06	57.15	4.60	53.42	4.19	48.50	3.55	48.20	3.57	46.22	3.36	42.74	2.94	39.52	2.58								
	47	61.14	4.69	57.15	4.30	53.42	3.94	49.37	3.46	48.20	3.39	46.22	3.23	42.74	2.82	39.52	2.47								
	50	61.14	4.45	57.15	4.08	53.42	3.73	49.37	3.42	48.20	3.26	46.22	3.11	42.74	2.67	39.52	2.30								
	53	61.14	4.38	57.15	4.02	53.42	3.69	49.37	3.37	48.20	3.24	46.22	3.10	42.74	2.67	39.52	2.31								
	56	61.14	4.39	57.15	4.00	53.42	3.65	49.37	3.38	48.20	3.23	46.22	3.09	42.74	2.65	39.52	2.27								
	57	61.14	4.36	57.15	3.98	53.42	3.64	49.37	3.34	48.20	3.07	46.22	3.05	42.74	2.51	39.52	2.07								
	60	61.14	4.36	57.15	3.96	53.42	3.59	49.37	3.33	48.20	3.06	46.22	3.04	42.74	2.50	39.52	2.05								

Combination	Outdoor Ambient Temperature °C DB		Indoor Ambient Temperature °F WB(°C WB)																							
			59(15)			64(17.8)			68(20)			70(21.1)			72(22.2)			74(23.3)			75(23.9)			80(26.7)		
			TC	KBTU	PI	TC	KBTU	PI	TC	KBTU	PI	TC	KBTU	PI	TC	KBTU	PI	TC	KBTU	PI	TC	KBTU	PI	TC	KBTU	PI
	-22	-30	15.72	4.38	14.70	4.09	13.74	3.82	12.47	3.47	12.40	3.45	11.88	3.31	10.99	3.06	10.16	2.83								
	-13	-25	31.97	7.81	29.88	8.20	27.93	8.61	25.36	8.98	25.20	9.12	24.16	9.22	22.35	9.76	20.66	10.34								
	-4	-20	37.21	7.58	34.78	7.96	32.51	8.36	29.51	8.72	29.34	8.86	28.13	8.95	26.01	9.48	24.05	10.04								
	-2.2	-19	37.73	7.34	35.27	7.70	32.97	8.09	29.93	8.44	29.75	8.57	28.52	8.66	26.37	9.17	24.39	9.72								
	4.1	-15.5	42.45	7.25	39.68	7.61	37.09	7.99	33.67	8.34	33.47	8.47	32.09	8.56	29.67	9.07	27.44	9.60								
	12	-11.1	43.49	6.59	40.66	6.88	38.01	7.19	34.50	7.51	34.29	7.58	32.88	7.85	30.40	8.27	28.12	8.72								
	13.1	-10.5	44.54	5.88	41.64	6.13	38.92	6.40	35.33	6.67	35.12	6.82	33.67	6.95	31.14	7.23	28.79	7.53								
	15	-9.4	36.68	3.45	34.29	3.53	32.05	3.63	29.10	3.82	28.92	3.88	27.73	3.99	25.64	4.15	23.71	4.31								
	18	-7.8	37.04	3.65	37.04	3.81	37.04	3.98	37.41	4.15	37.04	4.21	37.04	4.27	37.04	4.47	37.04	4.67								
	21	-6.1	37.45	3.83	37.37	3.98	37.28	4.15	37.83	4.31	37.28	4.39	37.24	4.44	37.15	4.54	37.06	4.64								
	24	-4.4	38.72	4.01	38.29	4.19	37.86	4.37	38.24	4.53	37.65	4.59	37.43	4.43	36.92	4.31	36.42	4.20								
	28	-2.2	42.50	4.27	40.76	4.38	39.10	4.49	39.08	4.49	38.27	4.43	37.73	4.29	36.65	3.91	35.59	3.57								
	32	0	43.92	4.44	43.07	4.46	42.23	4.47	39.91	4.46	39.30	4.27	38.38	4.03	36.46	3.57	34.63	3.17								
	40	4.4	47.82	4.71	45.79	4.63	43.85	4.55	40.74	4.20	40.48	3.99	39.04	3.78	36.51	3.30	34.15	2.89								
	43	6.1	52.40	5.30	48.98	4.83	45.79	4.39	41.57	3.72	41.32	3.74	39.61	3.52	36.63	3.09	33.87	2.71								
	47	8.3	52.40	4.92	48.98	4.51	45.79	4.13	42.32	3.63	41.32	3.55	39.61	3.39	36.63	2.96	33.87	2.59								
	50	10	52.40	4.67	48.98	4.27	45.79	3.91	42.32	3.59	41.32	3.42	39.61	3.26	36.63	2.80	33.87	2.41								
	53	11.7	52.40	4.59	48.98	4.21	45.79	3.87	42.32	3.54	41.32	3.39	39.61	3.25	36.63	2.80	33.87	2.42								
	56	13.3	52.40	4.60	48.98	4.20	45.79	3.83	42.32	3.55	41.32	3.38	39.61	3.24	36.63	2.77	33.87	2.38								
	57	13.9	52.40	4.57	48.98	4.17	45.79	3.81	42.32	3.51	41.32	3.22	39.61	3.20	36.63	2.63	33.87	2.17								
	60	15.6	52.40	4.57	48.98	4.15	45.79	3.77	42.32	3.49	41.32	3.20	39.61	3.19	36.63	2.62	33.87	2.15								

MVHQ096ME4CA
460v heating capacity

Combination	Outdoor Ambient Temperature °C DB	Indoor Ambient Temperature °F WB(°C WB)																								
		59(15)			64(17.8)			68(20)			70(21.1)			72(22.2)			74(23.3)			75(23.9)			80(26.7)			
		TC	PI	KW	TC	PI	KW	TC	PI	KW	TC	PI	KW	TC	PI	KW	TC	PI	KW	TC	PI	KW	TC	PI	KW	
	-22	-30	47.42	11.22	44.33	10.75	41.44	10.31	37.48	9.68	37.39	9.74	35.85	9.55	33.15	9.20	30.66	8.89								
	-13	-25	82.65	10.84	77.26	11.12	72.23	11.40	65.33	11.67	65.17	11.96	62.48	12.30	57.78	12.79	53.43	13.30								
	-4	-20	96.20	10.31	89.93	10.57	84.07	10.85	76.04	11.10	75.85	11.38	72.73	11.70	67.25	12.17	62.19	12.65								
	-2.2	-19	97.55	10.06	91.20	10.32	85.25	10.59	77.11	10.84	76.92	11.11	73.75	11.42	68.20	11.88	63.07	12.35								
	4.1	-15.5	104.33	9.50	97.53	9.74	91.18	9.99	82.46	10.23	82.26	10.48	78.87	10.78	72.93	11.21	67.45	11.65								
	12	-11.1	105.68	8.63	98.80	8.85	92.36	9.08	83.53	9.29	83.33	9.52	79.90	9.79	73.88	10.18	68.32	10.58								
	13.1	-10.5	109.75	8.45	102.60	8.67	95.91	8.90	86.75	9.10	86.54	9.33	82.97	9.60	76.72	9.98	70.95	10.37								
	15	-9.4	74.86	7.04	74.86	7.23	74.86	7.41	74.86	7.59	74.86	7.77	74.86	8.00	74.86	8.31	74.86	8.64								
	18	-7.8	96.39	7.54	96.39	7.88	96.39	8.23	96.39	8.31	96.39	8.53	96.39	8.64	96.39	9.04	96.39	9.46								
	21	-6.1	97.44	7.88	97.22	8.21	97.01	8.56	97.46	8.63	97.01	8.86	96.89	8.96	96.67	9.16	96.46	9.36								
	24	-4.4	100.75	8.27	99.63	8.63	98.53	9.02	98.53	9.07	97.98	9.28	97.42	8.96	96.08	8.72	94.77	8.49								
	28	-2.2	110.60	8.82	106.08	9.04	101.75	9.27	100.67	9.00	99.59	8.96	98.18	8.68	95.36	7.92	92.62	7.23								
	32	0	110.75	9.16	108.60	9.19	106.49	9.22	102.81	8.94	99.11	8.63	96.79	8.14	91.95	7.22	87.35	6.39								
	40	4.4	120.83	9.71	115.71	9.55	110.80	9.39	104.95	8.40	102.28	8.08	98.66	7.64	92.27	6.68	86.29	5.84								
	43	6.1	135.49	10.94	126.66	9.96	118.41	9.06	107.09	7.53	106.84	7.36	102.43	7.12	94.72	6.24	87.59	5.47								
	47	8.3	135.48	10.15	126.66	9.31	118.40	8.53	110.84	7.37	106.83	7.19	102.43	6.85	94.72	6.12	87.59	5.47								
	50	10	135.48	9.62	126.66	8.81	118.40	8.08	110.84	7.18	106.83	6.91	102.43	6.59	94.72	5.94	87.59	5.35								
	53	11.7	135.48	9.47	126.66	8.69	118.40	7.98	110.84	7.08	106.83	6.87	102.43	6.57	94.72	5.90	87.59	5.31								
	56	13.3	135.48	9.49	126.66	8.66	118.40	7.90	110.84	7.05	106.83	6.84	102.43	6.54	94.72	5.88	87.59	5.29								
	57	13.9	135.48	9.43	126.66	8.61	118.40	7.86	110.84	7.02	106.83	6.51	102.43	6.47	94.72	5.81	87.59	5.22								
	60	15.6	135.48	9.42	126.66	8.56	118.40	7.77	110.84	6.99	106.83	6.48	102.43	6.44	94.72	5.76	87.59	5.15								

130%

Combination	Outdoor Ambient Temperature °F DB °C DB	Indoor Ambient Temperature °F WB(°C WB)																
		59(15)		64(17.8)		68(20)		70(21.1)		72(22.2)		74(23.3)		75(23.9)		80(26.7)		
		TC	PI	TC	PI	TC	PI	TC	PI	TC	PI	TC	PI	TC	PI	TC	PI	
	-22	-30	46.96	11.17	43.91	10.70	41.04	10.27	37.12	9.65	37.03	9.71	35.51	9.53	32.83	9.18	30.36	8.88
	-13	-25	81.85	10.95	76.52	11.23	71.54	11.52	64.70	11.79	64.54	12.08	61.88	12.43	57.22	12.92	52.92	13.43
	-4	-20	95.27	10.41	89.06	10.68	83.26	10.96	75.31	11.22	75.12	11.49	72.03	11.82	66.61	12.29	61.59	12.78
	-2.2	-19	96.61	10.17	90.32	10.43	84.44	10.70	76.37	10.95	76.18	11.22	73.04	11.54	67.54	12.00	62.46	12.47
	4.1	-15.5	103.32	9.60	96.59	9.84	90.30	10.10	81.67	10.33	81.47	10.59	78.11	10.89	72.23	11.33	66.80	11.77
	12	-11.1	104.66	8.71	97.85	8.94	91.47	9.17	82.73	9.38	82.53	9.62	79.13	9.89	73.17	10.29	67.66	10.69
	13.1	-10.5	108.69	8.54	101.61	8.76	94.99	8.99	85.91	9.20	85.71	9.43	82.17	9.70	75.99	10.08	70.27	10.48
	15	-9.4	74.14	7.12	74.14	7.30	74.14	7.49	74.14	7.66	74.14	7.85	74.14	8.08	74.14	8.40	74.14	8.73
	18	-7.8	95.46	7.62	95.46	7.96	95.46	8.31	95.46	8.39	95.46	8.62	95.46	8.73	95.46	9.13	95.46	9.56
	21	-6.1	96.50	7.96	96.29	8.30	96.08	8.65	96.52	8.72	96.08	8.96	95.96	9.05	95.74	9.25	95.53	9.46
	24	-4.4	99.79	8.35	98.68	8.72	97.58	9.11	97.58	9.16	97.04	9.38	96.48	9.05	95.16	8.81	93.86	8.58
	28	-2.2	109.53	8.91	105.06	9.14	100.77	9.37	99.70	9.09	98.63	9.05	97.23	8.77	94.44	8.00	91.73	7.30
	32	0	109.69	9.26	107.56	9.29	105.47	9.32	101.82	9.03	98.16	8.71	95.86	8.23	91.07	7.29	86.51	6.46
	40	4.4	119.67	9.81	114.60	9.65	109.74	9.49	103.94	8.48	101.30	8.17	97.71	7.72	91.38	6.75	85.46	5.90
	43	6.1	134.19	11.05	125.44	10.06	117.27	9.16	106.07	7.60	105.81	7.44	101.45	7.19	93.81	6.31	86.75	5.53
	47	8.3	134.18	10.25	125.44	9.40	117.27	8.62	109.77	7.45	105.80	7.26	101.44	6.92	93.81	6.18	86.75	5.52
	50	10	134.18	9.72	125.44	8.91	117.27	8.16	109.77	7.25	105.80	6.99	101.44	6.65	93.81	6.00	86.75	5.41
	53	11.7	134.18	9.56	125.44	8.78	117.27	8.07	109.77	7.15	105.80	6.94	101.44	6.63	93.81	5.97	86.75	5.36
	56	13.3	134.18	9.59	125.44	8.75	117.27	7.98	109.77	7.13	105.80	6.91	101.44	6.61	93.81	5.94	86.75	5.34
	57	13.9	134.18	9.53	125.44	8.70	117.27	7.94	109.77	7.09	105.80	6.57	101.44	6.53	93.81	5.87	86.75	5.27
	60	15.6	134.18	9.52	125.44	8.65	117.27	7.85	109.77	7.06	105.80	6.55	101.44	6.51	93.81	5.82	86.75	5.21

120%

Combination	Outdoor Ambient Temperature		Indoor Ambient Temperature °F WB(°C WB)																									
			59(15)			64(17.8)			68(20)			70(21.1)			72(22.2)			74(23.3)			75(23.9)			80(26.7)				
			°F DB	°C DB	TC	KBTU	PI	kW	TC	KBTU	PI	kW	TC	KBTU	PI	kW	TC	KBTU	PI	kW	TC	KBTU	PI	kW	TC	KBTU	PI	kW
	-22	-30	46.05	11.04	10.58	43.05	10.58	10.16	36.40	9.55	9.61	34.82	9.44	32.20	9.10	29.77	8.81											
	-13	-25	80.26	11.06	11.35	75.03	11.35	11.64	63.44	11.91	12.21	60.68	12.56	56.11	13.05	51.89	13.57											
	-4	-20	93.42	10.52	10.79	87.34	10.79	11.07	73.84	11.33	11.61	70.63	11.94	65.31	12.42	60.40	12.91											
	-2.2	-19	94.74	10.27	10.54	88.57	10.54	10.81	74.88	11.06	11.34	71.62	11.66	66.23	12.12	61.25	12.60											
	4.1	-15.5	101.32	9.69	9.94	94.72	9.94	10.20	80.08	10.44	10.70	76.60	11.01	70.83	11.44	65.50	11.89											
	12	-11.1	102.63	8.80	9.03	95.95	9.03	9.26	81.12	9.48	9.72	77.59	9.99	71.75	10.39	66.35	10.80											
	13.1	-10.5	106.58	8.63	8.85	99.64	8.85	9.08	84.24	9.29	9.52	80.58	9.79	74.51	10.18	68.90	10.59											
	15	-9.4	72.70	7.19	7.38	72.70	7.38	7.57	72.70	7.74	7.93	72.70	8.16	72.70	8.49	72.70	8.82											
	18	-7.8	93.61	7.70	8.04	93.61	8.04	8.40	93.61	8.48	8.71	93.61	8.82	93.61	9.23	93.61	9.65											
	21	-6.1	94.63	8.04	8.38	94.42	8.38	8.73	94.65	8.81	9.05	94.09	9.14	93.88	9.35	93.68	9.56											
	24	-4.4	97.85	8.44	8.81	96.76	8.81	9.20	95.69	9.25	9.47	94.61	9.14	93.31	8.90	92.03	8.66											
	28	-2.2	107.41	9.00	9.23	103.02	9.23	9.46	97.77	9.18	9.14	95.35	8.86	92.61	8.08	89.95	7.37											
	32	0	107.56	9.35	9.38	105.47	9.38	9.41	99.85	9.12	8.80	93.99	8.31	89.30	7.36	84.83	6.52											
	40	4.4	117.34	9.91	9.75	112.37	9.75	9.58	101.93	8.57	8.25	95.82	7.80	89.61	6.82	83.80	5.96											
	43	6.1	131.58	11.17	10.16	123.01	10.16	9.25	104.01	7.68	7.51	99.48	7.27	91.99	6.37	85.06	5.59											
	47	8.3	131.57	10.36	9.50	123.00	9.50	8.71	107.64	7.52	7.33	99.47	6.99	91.98	6.25	85.06	5.58											
	50	10	131.57	9.82	9.00	123.00	9.00	8.24	107.64	7.32	7.06	99.47	6.72	91.98	6.06	85.06	5.46											
	53	11.7	131.57	9.66	8.87	123.00	8.87	8.15	107.64	7.23	7.01	99.47	6.70	91.98	6.03	85.06	5.42											
	56	13.3	131.57	9.69	8.84	123.00	8.84	8.06	107.64	7.20	6.98	99.47	6.68	91.98	6.00	85.06	5.39											
	57	13.9	131.57	9.63	8.79	123.00	8.79	8.02	107.64	7.16	6.64	99.47	6.60	91.98	5.93	85.06	5.33											
	60	15.6	131.57	9.62	8.73	123.00	8.73	7.93	107.64	7.13	6.61	99.47	6.58	91.98	5.88	85.06	5.26											

Combination	Outdoor Ambient Temperature °F DB °C DB	Indoor Ambient Temperature °F WB(°C WB)																
		59(15)		64(17.8)		68(20)		70(21.1)		72(22.2)		74(23.3)		75(23.9)		80(26.7)		
		TC	PI	TC	PI	TC	PI	TC	PI	TC	PI	TC	PI	TC	PI	TC	PI	
	-22	-30	45.60	10.99	42.63	10.54	39.85	10.12	30.92	8.61	35.95	9.58	34.47	9.41	31.88	9.08	29.48	8.79
	-13	-25	79.47	11.17	74.29	11.46	69.45	11.76	62.20	14.80	62.66	12.33	60.08	12.68	55.56	13.19	51.38	13.71
	-4	-20	92.50	10.63	86.47	10.90	80.84	11.18	72.33	14.37	72.94	11.73	69.93	12.07	64.67	12.54	59.80	13.04
	-2.2	-19	93.80	10.37	87.69	10.64	81.98	10.92	72.88	14.00	73.96	11.45	70.91	11.78	65.58	12.24	60.64	12.73
	4.1	-15.5	100.31	9.79	93.78	10.04	87.67	10.30	83.05	14.74	79.10	10.81	75.84	11.12	70.13	11.56	64.85	12.01
	12	-11.1	101.62	8.89	95.00	9.12	88.81	9.36	84.44	13.27	80.13	9.81	76.82	10.10	71.04	10.50	65.69	10.91
	13.1	-10.5	105.52	8.71	98.65	8.94	92.22	9.17	91.65	12.53	83.21	9.62	79.78	9.89	73.77	10.29	68.22	10.69
	15	-9.4	71.98	7.26	71.98	7.45	71.98	7.64	72.10	7.82	71.98	8.01	71.98	8.24	71.98	8.57	71.98	8.91
	18	-7.8	92.68	7.77	92.68	8.12	92.68	8.48	92.68	8.56	92.68	8.79	92.68	8.91	92.68	9.32	92.68	9.75
	21	-6.1	93.69	8.12	93.49	8.47	93.28	8.82	93.71	8.90	93.28	9.14	93.16	9.24	92.95	9.44	92.75	9.65
	24	-4.4	96.88	8.52	95.80	8.90	94.74	9.30	94.74	9.35	94.21	9.57	93.67	9.24	92.39	8.99	91.12	8.75
	28	-2.2	106.34	9.09	102.00	9.32	97.84	9.56	96.80	9.27	95.76	9.24	94.40	8.95	91.69	8.17	89.06	7.45
	32	0	106.49	9.45	104.42	9.48	102.40	9.51	98.86	9.21	95.30	8.89	93.06	8.40	88.41	7.44	83.99	6.59
	40	4.4	116.18	10.01	111.26	9.84	106.54	9.68	100.92	8.66	98.35	8.33	94.87	7.88	88.72	6.89	82.97	6.02
	43	6.1	130.28	11.28	121.79	10.27	113.86	9.34	103.08	7.76	102.73	7.59	98.49	7.34	91.08	6.44	84.22	5.64
	47	8.3	130.27	10.46	121.78	9.59	113.85	8.80	106.58	7.60	102.72	7.41	98.49	7.06	91.07	6.31	84.22	5.64
	50	10	130.27	9.92	121.78	9.09	113.85	8.33	106.58	7.40	102.72	7.13	98.49	6.79	91.07	6.12	84.22	5.52
	53	11.7	130.27	9.76	121.78	8.96	113.85	8.23	106.58	7.30	102.72	7.08	98.49	6.77	91.07	6.09	84.22	5.47
	56	13.3	130.27	9.78	121.78	8.93	113.85	8.15	106.58	7.27	102.72	7.06	98.49	6.75	91.07	6.06	84.22	5.45
	57	13.9	130.27	9.72	121.78	8.88	113.85	8.10	106.58	7.24	102.72	6.71	98.49	6.67	91.07	5.99	84.22	5.38
	60	15.6	130.27	9.72	121.78	8.82	113.85	8.01	106.58	7.20	102.72	6.68	98.49	6.64	91.07	5.94	84.22	5.31

100%

Combination	Outdoor Ambient Temperature		Indoor Ambient Temperature °F WB(°C WB)																																																																																																																																																																																																																																																																																																																																																																																									
			59(15)						64(17.8)						68(20)						70(21.1)						72(22.2)						74(23.3)						75(23.9)						80(26.7)																																																																																																																																																																																																																																																																																																																																															
			TC	PI	KW	KBTU	TC	PI	KW	KBTU	TC	PI	KW	KBTU	TC	PI	KW	KBTU	TC	PI	KW	KBTU	TC	PI	KW	KBTU	TC	PI	KW	KBTU	TC	PI	KW	KBTU	TC	PI	KW	KBTU																																																																																																																																																																																																																																																																																																																																																						
	°F DB	°C DB	-22	-30	41.95	10.08	39.22	9.66	36.66	9.28	33.16	8.72	33.08	8.78	31.71	8.62	29.33	8.32	27.12	8.05	-13	-25	73.11	10.17	68.35	10.43	63.90	10.70	57.79	10.95	57.65	11.22	55.27	11.54	51.11	12.00	47.27	12.47	-4	-20	85.10	9.67	79.55	9.92	74.37	10.18	67.26	10.41	67.10	10.67	64.33	10.98	59.49	11.41	55.01	11.87	-2.2	-19	86.30	9.44	80.67	9.68	75.42	9.93	68.21	10.17	68.05	10.42	65.24	10.72	60.33	11.14	55.79	11.58	4.1	-15.5	92.29	8.91	86.28	9.14	80.66	9.38	72.95	9.59	72.77	9.83	69.77	10.12	64.52	10.52	59.66	10.93	12	-11.1	93.49	8.09	87.40	8.30	81.70	8.52	73.90	8.71	73.72	8.93	70.68	9.19	65.36	9.55	60.44	9.93	13.1	-10.5	97.08	7.93	90.76	8.13	84.85	8.34	76.74	8.54	76.55	8.75	73.40	9.00	67.87	9.36	62.76	9.73	15	-9.4	66.22	6.61	66.22	6.78	66.22	6.95	66.22	7.12	66.22	7.29	66.22	7.50	66.22	7.80	66.22	8.11	18	-7.8	85.26	7.07	85.26	7.39	85.26	7.72	85.26	7.79	85.26	8.00	85.26	8.11	85.26	8.48	85.26	8.87	21	-6.1	86.20	7.39	86.01	7.70	85.82	8.03	86.21	8.10	85.82	8.32	85.71	8.41	85.52	8.59	85.33	8.79	24	-4.4	89.13	7.76	88.14	8.10	87.16	8.46	87.16	8.51	86.68	8.71	86.18	8.41	85.00	8.18	83.83	7.96	28	-2.2	97.83	8.27	93.84	8.48	90.01	8.70	89.05	8.44	88.10	8.41	86.85	8.15	84.36	7.43	81.94	6.78	32	0	97.97	8.60	96.07	8.63	94.21	8.65	90.95	8.38	87.68	8.09	85.62	7.64	81.34	6.77	77.27	6.00	40	4.4	106.89	9.11	102.36	8.96	98.02	8.81	92.84	7.88	90.48	7.58	87.28	7.17	81.62	6.27	76.33	5.48	43	6.1	119.85	10.26	112.05	9.34	104.75	8.50	94.74	7.06	94.51	6.91	90.61	6.68	83.79	5.86	77.48	5.14	47	8.3	119.85	9.52	112.04	8.73	104.74	8.00	98.05	6.92	94.51	6.74	90.61	6.42	83.79	5.74	77.48	5.13	50	10	119.85	9.03	112.04	8.27	104.74	7.58	98.05	6.73	94.51	6.49	90.61	6.18	83.79	5.57	77.48	5.02	53	11.7	119.85	8.88	112.04	8.16	104.74	7.49	98.05	6.64	94.51	6.44	90.61	6.16	83.79	5.54	77.48	4.98	56	13.3	119.85	8.90	112.04	8.12	104.74	7.41	98.05	6.62	94.51	6.42	90.61	6.14	83.79	5.52	77.48	4.96	57	13.9	119.85	8.85	112.04	8.08	104.74	7.38	98.05	6.59	94.51	6.10	90.61	6.07	83.79	5.45	77.48	4.90	60	15.6	119.85	8.84	112.04	8.03	104.74	7.29	98.05	6.55	94.51	6.08	90.61	6.04	83.79	5.41	77.48	4.83

Combination	Outdoor Ambient Temperature		Indoor Ambient Temperature °F WB(°C WB)																												
			59(15)			64(17.8)			68(20)			70(21.1)			72(22.2)			74(23.3)			75(23.9)			80(26.7)							
			°F DB	°C DB	TC	KBTU	PI	kW	TC	KBTU	PI	kW	TC	KBTU	PI	kW	TC	KBTU	PI	kW	TC	KBTU	PI	kW	TC	KBTU	PI	kW			
	-22	-30	36.93	8.69	34.53	8.32	32.28	7.97	29.19	7.48	29.12	7.53	27.92	7.38	25.82	7.10	23.88	6.86													
	-13	-25	64.37	8.24	60.18	8.45	56.26	8.67	50.88	8.87	50.76	9.09	48.66	9.35	45.00	9.72	41.61	10.10													
	-4	-20	74.92	7.83	70.04	8.04	65.48	8.24	59.22	8.44	59.08	8.65	56.64	8.89	52.38	9.25	48.44	9.61													
	-2.2	-19	75.98	7.65	71.03	7.84	66.40	8.05	60.06	8.23	59.91	8.44	57.44	8.68	53.12	9.03	49.12	9.38													
	4.1	-15.5	81.25	7.22	75.96	7.40	71.01	7.59	64.23	7.77	64.07	7.97	61.43	8.19	56.81	8.52	52.53	8.86													
	12	-11.1	82.31	6.55	76.95	6.72	71.93	6.90	65.06	7.06	64.90	7.23	62.23	7.44	57.54	7.74	53.21	8.04													
	13.1	-10.5	85.47	6.42	79.91	6.59	74.70	6.76	67.56	6.92	67.40	7.09	64.62	7.29	59.76	7.58	55.26	7.88													
	15	-9.4	58.31	5.35	58.31	5.49	58.31	5.63	58.31	5.76	58.31	5.91	58.31	6.08	58.31	6.32	58.31	6.57													
	18	-7.8	75.07	5.73	75.07	5.99	75.07	6.25	75.07	6.31	75.07	6.48	75.07	6.57	75.07	6.87	75.07	7.19													
	21	-6.1	75.89	5.99	75.72	6.24	75.56	6.50	75.90	6.56	75.56	6.74	75.46	6.81	75.29	6.96	75.13	7.12													
	24	-4.4	78.47	6.28	77.60	6.56	76.74	6.85	76.74	6.89	76.31	7.05	75.88	6.81	74.84	6.63	73.81	6.45													
	28	-2.2	86.14	6.70	82.62	6.87	79.25	7.05	78.41	6.84	77.56	6.81	76.47	6.60	74.27	6.02	72.14	5.49													
	32	0	86.26	6.96	84.58	6.99	82.94	7.01	80.07	6.79	77.19	6.55	75.38	6.19	71.61	5.48	68.04	4.86													
	40	4.4	94.11	7.38	90.12	7.26	86.30	7.13	81.74	6.38	79.66	6.14	76.84	5.81	71.86	5.08	67.21	4.44													
	43	6.1	105.52	8.31	98.65	7.57	92.22	6.89	83.41	5.72	83.21	5.59	79.78	5.41	73.77	4.74	68.22	4.16													
	47	8.3	105.52	7.71	98.65	7.07	92.22	6.48	86.33	5.60	83.21	5.46	79.77	5.20	73.77	4.65	68.22	4.15													
	50	10	105.52	7.31	98.65	6.70	92.22	6.14	86.33	5.45	83.21	5.25	79.77	5.00	73.77	4.51	68.22	4.07													
	53	11.7	105.52	7.19	98.65	6.61	92.22	6.07	86.33	5.38	83.21	5.22	79.77	4.99	73.77	4.49	68.22	4.03													
	56	13.3	105.52	7.21	98.65	6.58	92.22	6.00	86.33	5.36	83.21	5.20	79.77	4.97	73.77	4.47	68.22	4.02													
	57	13.9	105.52	7.17	98.65	6.54	92.22	5.97	86.33	5.33	83.21	4.94	79.77	4.91	73.77	4.41	68.22	3.97													
	60	15.6	105.52	7.16	98.65	6.50	92.22	5.90	86.33	5.31	83.21	4.93	79.77	4.90	73.77	4.38	68.22	3.92													

Combination	Outdoor Ambient Temperature °F DB °C DB		Indoor Ambient Temperature °F WB(°C WB)																																																																																																																																																																																																																																																																																																																												
			59(15)			64(17.8)			68(20)			70(21.1)			72(22.2)			74(23.3)			75(23.9)			80(26.7)																																																																																																																																																																																																																																																																																																							
			TC	KBTU	PI	TC	KBTU	PI	TC	KBTU	PI	TC	KBTU	PI	TC	KBTU	PI	TC	KBTU	PI	TC	KBTU	PI	TC	KBTU	PI																																																																																																																																																																																																																																																																																																					
	-22	-30	31.92	7.69	7.38	29.84	7.38	7.08	25.23	6.66	6.71	24.13	6.59	22.31	6.36	20.63	6.15	55.63	7.82	8.02	48.62	8.23	43.97	8.42	43.86	8.63	42.06	8.88	38.89	9.23	35.96	9.60	64.75	7.44	7.63	56.59	7.83	51.18	8.01	51.06	8.21	48.95	8.45	45.27	8.78	41.86	9.13	65.66	7.26	7.45	57.38	7.64	51.90	7.82	51.77	8.01	49.64	8.24	45.90	8.57	42.45	8.91	70.22	6.85	7.03	61.37	7.21	55.50	7.38	55.37	7.56	53.09	7.78	49.09	8.09	45.40	8.41	71.13	6.22	6.39	62.17	6.55	56.22	6.70	56.09	6.87	53.78	7.07	49.73	7.35	45.99	7.64	73.87	6.10	6.26	64.56	6.42	58.39	6.57	58.25	6.73	55.84	6.93	51.64	7.20	47.75	7.48	50.39	5.08	5.21	50.39	5.35	50.39	5.47	50.39	5.61	50.39	5.77	50.39	6.00	50.39	6.24	64.87	6.83	64.87	5.44	5.68	64.87	5.94	64.87	6.00	64.87	6.16	64.87	6.24	64.87	6.52	64.87	6.83	65.58	5.69	5.93	65.30	6.18	65.60	6.23	65.30	6.40	65.21	6.47	65.07	6.61	64.93	6.76	67.82	5.97	6.23	66.32	6.51	66.32	6.54	65.95	6.70	65.57	6.47	64.67	6.29	63.79	6.13	74.44	6.37	6.53	71.40	6.69	67.76	6.49	67.03	6.47	66.08	6.27	64.18	5.72	62.34	5.21	74.54	6.61	6.63	73.10	6.66	69.20	6.45	66.71	6.22	65.14	5.88	61.89	5.21	58.80	4.61	81.33	7.01	6.89	77.88	6.78	74.58	6.06	68.84	5.83	66.41	5.51	62.10	4.82	58.08	4.22	91.19	7.89	7.19	85.25	7.19	79.70	6.54	71.91	5.31	68.94	5.14	63.75	4.51	58.96	3.95	91.19	7.32	6.72	85.25	6.72	79.70	6.16	71.91	5.19	68.94	4.94	63.75	4.42	58.95	3.95	91.19	6.94	6.36	85.25	6.36	79.70	5.83	71.91	4.99	68.94	4.75	63.75	4.29	58.95	3.86	91.19	6.83	6.27	85.25	6.27	79.70	5.76	71.91	4.96	68.94	4.74	63.75	4.26	58.95	3.83	91.19	6.85	6.25	85.25	6.25	79.70	5.70	71.91	4.94	68.94	4.72	63.75	4.24	58.95	3.81	91.19	6.81	6.21	85.25	6.21	79.70	5.67	71.91	4.69	68.94	4.67	63.75	4.19	58.95	3.77	91.19	6.80	6.18	85.25	6.18	79.70	5.61	71.91	4.68	68.94	4.65	63.75	4.16	58.95	3.72

Combination	Outdoor Ambient Temperature °F DB °C DB		Indoor Ambient Temperature °F WB(°C WB)																																																																																																																																																																																																																																																																																																																																									
			59(15)			64(17.8)			68(20)			70(21.1)			72(22.2)			74(23.3)			75(23.9)			80(26.7)																																																																																																																																																																																																																																																																																																																				
			TC	PI	KW	TC	PI	KW	TC	PI	KW	TC	PI	KW	TC	PI	KW	TC	PI	KW	TC	PI	KW	TC	PI	KW																																																																																																																																																																																																																																																																																																																		
	-22	-30	28.73	6.89	26.85	6.61	25.11	6.35	22.71	5.96	22.65	6.00	21.72	5.89	20.08	5.69	18.57	5.50	50.07	6.93	46.80	7.11	43.75	7.29	39.57	7.46	37.85	7.86	35.00	8.18	32.37	8.50	58.27	6.59	54.48	6.76	50.93	6.93	46.06	7.10	44.05	7.48	40.74	7.78	37.67	8.08	59.09	6.43	55.24	6.60	51.64	6.77	46.71	6.93	44.68	7.30	41.31	7.59	38.20	7.89	63.20	6.07	59.08	6.23	55.23	6.39	49.95	6.54	49.83	6.70	47.78	6.89	44.18	7.17	40.86	7.45	64.02	5.51	59.85	5.66	55.95	5.80	50.60	5.94	50.48	6.08	48.40	6.26	44.76	6.51	41.39	6.76	66.48	5.40	62.15	5.54	58.10	5.69	52.55	5.82	52.42	5.96	50.26	6.13	46.48	6.38	42.98	6.63	45.35	4.50	45.35	4.62	45.35	4.74	45.35	4.85	45.35	4.97	45.35	5.11	45.35	5.31	45.35	5.52	58.39	4.82	58.39	5.03	58.39	5.26	58.39	5.31	58.39	5.45	58.39	5.52	58.39	5.78	58.39	6.05	59.03	5.04	58.90	5.25	58.77	5.47	59.04	5.52	58.77	5.67	58.69	5.73	58.56	5.85	58.43	5.99	61.03	5.28	60.36	5.52	59.68	5.76	59.68	5.80	59.35	5.93	59.01	5.73	58.21	5.57	57.41	5.43	67.00	5.64	64.26	5.78	61.64	5.93	60.98	5.75	60.33	5.73	59.47	5.55	57.77	5.06	56.11	4.62	67.09	5.86	65.79	5.88	64.51	5.90	62.28	5.71	60.04	5.51	58.63	5.21	55.70	4.61	52.92	4.09	73.20	6.21	70.09	6.10	67.12	6.00	63.58	5.37	61.96	5.17	59.77	4.88	55.89	4.27	52.27	3.74	82.07	6.99	76.73	6.36	71.73	5.79	64.87	4.81	64.72	4.70	62.05	4.55	57.38	3.99	53.06	3.50	82.07	6.49	76.72	5.95	71.73	5.45	67.14	4.71	64.72	4.59	62.05	4.38	57.38	3.91	53.06	3.49	82.07	6.15	76.72	5.63	71.73	5.16	67.14	4.59	64.72	4.42	62.05	4.21	57.38	3.80	53.06	3.42	82.07	6.05	76.72	5.56	71.73	5.10	67.14	4.53	64.72	4.39	62.05	4.20	57.38	3.77	53.06	3.39	82.07	6.07	76.72	5.53	71.73	5.05	67.14	4.51	64.72	4.37	62.05	4.18	57.38	3.76	53.06	3.38	82.07	6.03	76.72	5.50	71.73	5.03	67.14	4.49	64.72	4.16	62.05	4.13	57.38	3.71	53.06	3.34	82.07	6.02	76.72	5.47	71.73	4.97	67.14	4.47	64.72	4.14	62.05	4.12	57.38	3.68	53.06	3.29

Combination	Outdoor Ambient Temperature °F DB °C DB	Indoor Ambient Temperature °F WB(°C WB)																								
		59(15)			64(17.8)			68(20)			70(21.1)			72(22.2)			74(23.3)			75(23.9)			80(26.7)			
		TC	PI	KW	TC	PI	KW	TC	PI	KW	TC	PI	KW	TC	PI	KW	TC	PI	KW	TC	PI	KW	TC	PI	KW	
	-22	-30	24.62	6.25	23.02	6.02	21.52	5.80	19.46	5.48	19.42	5.53	18.61	5.44	17.21	5.28	15.92	5.14								
	-13	-25	42.91	7.26	40.12	7.45	37.50	7.64	33.92	7.82	33.84	8.01	32.44	8.24	30.00	8.57	27.74	8.91								
	-4	-20	49.95	6.91	46.69	7.09	43.65	7.27	39.48	7.44	39.39	7.62	37.76	7.84	34.92	8.15	32.29	8.48								
	-2.2	-19	50.65	6.74	47.35	6.92	44.27	7.10	40.04	7.26	39.94	7.44	38.29	7.66	35.41	7.96	32.75	8.27								
	4.1	-15.5	54.17	6.36	50.64	6.53	47.34	6.70	42.82	6.85	42.71	7.02	40.95	7.23	37.87	7.51	35.02	7.81								
	12	-11.1	54.87	5.78	51.30	5.93	47.96	6.08	43.37	6.22	43.27	6.38	41.48	6.56	38.36	6.82	35.47	7.09								
	13.1	-10.5	56.98	5.66	53.27	5.81	49.80	5.96	45.04	6.10	44.93	6.25	43.08	6.43	39.84	6.69	36.84	6.95								
	15	-9.4	38.87	4.72	38.87	4.84	38.87	4.97	38.87	5.08	38.87	5.21	38.87	5.36	38.87	5.57	38.87	5.79								
	18	-7.8	50.05	5.05	50.05	5.28	50.05	5.51	50.05	5.57	50.05	5.72	50.05	5.79	50.05	6.06	50.05	6.34								
	21	-6.1	50.59	5.28	50.48	5.50	50.37	5.73	50.60	5.79	50.37	5.94	50.31	6.00	50.20	6.14	50.09	6.28								
	24	-4.4	52.31	5.54	51.73	5.79	51.16	6.04	51.16	6.08	50.88	6.22	50.58	6.00	49.89	5.84	49.21	5.69								
	28	-2.2	57.42	5.91	55.08	6.06	52.83	6.21	52.27	6.03	51.71	6.00	50.98	5.82	49.51	5.31	48.09	4.84								
	32	0	57.51	6.14	56.39	6.16	55.29	6.18	53.38	5.99	51.46	5.78	50.25	5.46	47.74	4.83	45.36	4.28								
	40	4.4	62.74	6.51	60.08	6.40	57.53	6.29	54.49	5.63	53.11	5.42	51.23	5.12	47.91	4.48	44.80	3.92								
	43	6.1	70.35	7.33	65.77	6.67	61.48	6.07	55.61	5.04	55.47	4.93	53.19	4.77	49.18	4.18	45.48	3.67								
	47	8.3	70.35	6.80	65.76	6.24	61.48	5.72	57.55	4.94	55.47	4.82	53.18	4.59	49.18	4.10	45.48	3.66								
	50	10	70.35	6.45	65.76	5.91	61.48	5.41	57.55	4.81	55.47	4.63	53.18	4.41	49.18	3.98	45.48	3.59								
	53	11.7	70.35	6.34	65.76	5.83	61.48	5.35	57.55	4.75	55.47	4.60	53.18	4.40	49.18	3.96	45.48	3.56								
	56	13.3	70.35	6.36	65.76	5.80	61.48	5.29	57.55	4.73	55.47	4.59	53.18	4.38	49.18	3.94	45.48	3.54								
	57	13.9	70.35	6.32	65.76	5.77	61.48	5.27	57.55	4.70	55.47	4.36	53.18	4.33	49.18	3.89	45.48	3.50								
	60	15.6	70.35	6.32	65.76	5.73	61.48	5.21	57.55	4.68	55.47	4.34	53.18	4.32	49.18	3.86	45.48	3.45								

Combination	Outdoor Ambient Temperature °F DB °C DB	Indoor Ambient Temperature °F WB(°C WB)																								
		59(15)			64(17.8)			68(20)			70(21.1)			72(22.2)			74(23.3)			75(23.9)			80(26.7)			
		TC	PI	KW	TC	PI	KW	TC	PI	KW	TC	PI	KW	TC	PI	KW	TC	PI	KW	TC	PI	KW	TC	PI	KW	
	-22	-30	50.72	11.76	47.42	11.34	44.32	10.97	40.24	10.42	39.99	10.97	38.57	10.80	36.07	10.56	33.73	10.34								
	-13	-25	103.14	12.25	96.41	12.79	90.12	13.36	81.82	13.91	81.32	16.17	78.42	16.47	73.33	17.15	68.58	17.85								
	-4	-20	120.04	11.66	112.22	12.17	104.90	12.70	95.23	13.23	94.65	15.38	91.27	15.67	85.36	16.31	79.83	16.98								
	-2.2	-19	121.74	11.38	113.80	11.88	106.37	12.40	96.57	12.91	95.98	15.01	92.56	15.29	86.56	15.92	80.95	16.57								
	4.1	-15.5	130.19	10.74	121.70	11.21	113.76	11.71	103.28	12.19	102.65	14.17	98.98	14.43	92.57	15.03	86.57	15.64								
	12	-11.1	131.88	9.75	123.28	10.18	115.24	10.63	104.62	11.07	103.98	12.87	100.27	13.11	93.77	13.65	87.70	14.21								
	13.1	-10.5	136.95	9.56	128.02	9.98	119.67	10.42	108.64	10.85	107.98	12.61	104.13	12.85	97.38	13.37	91.07	13.92								
	15	-9.4	86.47	7.97	86.47	8.32	86.47	8.68	87.34	9.04	86.47	10.51	86.47	10.71	86.47	11.15	86.47	11.60								
	18	-7.8	119.51	10.46	119.51	10.73	119.51	11.01	120.72	11.61	119.51	13.70	119.51	14.09	119.51	14.64	119.51	15.22								
	21	-6.1	120.84	10.63	120.56	11.10	120.28	11.59	122.06	12.06	120.28	14.61	120.84	14.81	120.84	15.49	120.84	16.20								
	24	-4.4	124.92	11.23	123.54	11.70	122.16	12.18	123.40	12.67	121.48	15.95	121.46	16.13	121.18	16.49	120.90	16.86								
	28	-2.2	137.13	11.12	131.53	11.62	126.16	12.14	126.08	12.57	123.48	16.58	123.42	16.00	121.73	15.57	120.07	15.16								
	32	0	141.70	11.87	138.95	12.18	136.25	12.49	128.76	12.49	126.81	15.89	124.32	15.39	120.76	14.05	117.30	12.82								
	40	4.4	154.28	11.67	147.75	11.71	141.49	11.75	131.45	11.73	130.60	14.37	126.42	13.58	120.09	12.03	114.07	10.66								
	43	6.1	169.08	11.70	158.05	11.50	147.74	11.30	134.13	10.42	133.31	11.96	128.55	11.31	120.22	9.89	112.43	8.65								
	47	8.3	169.08	14.46	158.05	13.16	147.74	11.97	136.54	10.15	133.31	10.91	130.12	10.27	120.32	9.00	111.26	7.89								
	50	10	169.08	13.58	158.05	12.46	147.74	11.42	136.54	10.03	133.31	10.23	127.81	9.75	118.19	8.72	109.30	7.79								
	53	11.7	169.08	12.88	158.05	11.79	147.74	10.80	136.54	9.89	133.31	9.72	127.81	9.25	118.19	8.34	109.30	7.52								
	56	13.3	169.08	12.87	158.05	11.82	147.74	10.85	136.54	9.92	133.31	9.67	127.81	9.26	118.19	8.32	109.30	7.48								
	57	13.9	169.08	12.73	158.05	11.61	147.74	10.59	136.54	9.81	133.31	9.53	127.81	9.12	118.19	8.19	109.30	7.36								
	60	15.6	169.08	12.72	158.05	11.62	147.74	10.61	136.54	9.76	133.31	9.02	127.81	8.96	118.19	8.05	109.30	7.24								

130%

Combination	Outdoor Ambient Temperature		Indoor Ambient Temperature °F WB(°C WB)																																
			59(15)				64(17.8)				68(20)				70(21.1)				72(22.2)				74(23.3)				75(23.9)				80(26.7)				
	°F DB	°C DB	TC	KBTU	PI	KW	TC	KBTU	PI	KW	TC	KBTU	PI	KW	TC	KBTU	PI	KW	TC	KBTU	PI	KW	TC	KBTU	PI	KW	TC	KBTU	PI	KW					
	-22	-30	50.24	11.71	46.96	11.30	43.90	10.93	39.85	10.39	39.61	10.94	38.19	10.78	35.72	10.54	33.41	10.34																	
	-13	-25	102.15	12.38	95.48	12.93	89.26	13.49	81.03	14.05	80.54	16.34	77.66	16.64	72.63	17.32	67.92	18.03																	
	-4	-20	118.89	11.78	111.14	12.29	103.89	12.84	94.32	13.37	93.74	15.54	90.39	15.83	84.54	16.48	79.06	17.15																	
	-2.2	-19	120.56	11.50	112.70	12.00	105.35	12.53	95.64	13.05	95.06	15.17	91.67	15.45	85.73	16.09	80.17	16.75																	
	4.1	-15.5	128.94	10.85	120.53	11.33	112.67	11.83	102.29	12.31	101.66	14.32	98.03	14.58	91.68	15.18	85.74	15.80																	
	12	-11.1	130.61	9.85	122.09	10.29	114.13	10.74	103.61	11.18	102.98	13.00	99.30	13.24	92.87	13.79	86.85	14.35																	
	13.1	-10.5	135.64	9.66	126.79	10.08	118.52	10.53	107.60	10.96	106.94	12.74	103.12	12.98	96.44	13.51	90.19	14.07																	
	15	-9.4	85.63	8.05	85.63	8.40	85.63	8.77	86.50	9.13	85.63	10.62	85.63	10.82	85.63	11.26	85.63	11.72																	
	18	-7.8	118.36	10.57	118.36	10.84	118.36	11.12	119.55	11.73	118.36	13.84	118.36	14.23	118.36	14.79	118.36	15.38																	
	21	-6.1	119.68	10.74	119.40	11.21	119.12	11.71	120.88	12.19	119.12	14.76	119.67	14.96	119.67	15.65	119.67	16.37																	
	24	-4.4	123.72	11.34	122.35	11.82	120.99	12.31	122.21	12.80	120.31	16.12	120.29	16.29	120.02	16.66	119.74	17.04																	
	28	-2.2	135.81	11.23	130.27	11.74	124.95	12.26	124.87	12.70	122.29	16.75	122.23	16.16	120.56	15.73	118.92	15.32																	
	32	0	140.34	12.00	137.62	12.30	134.94	12.62	127.53	12.62	125.59	16.06	123.13	15.55	119.60	14.20	116.17	12.96																	
	40	4.4	152.80	11.79	146.33	11.83	140.13	11.87	130.18	11.86	129.35	14.52	125.21	13.72	118.93	12.16	112.97	10.77																	
	43	6.1	167.45	11.82	156.53	11.62	146.32	11.42	132.84	10.53	132.03	12.08	127.31	11.42	119.06	9.99	111.35	8.74																	
	47	8.3	167.45	14.61	156.53	13.29	146.32	12.10	135.23	10.26	132.03	11.02	128.86	10.38	119.16	9.10	110.20	7.97																	
	50	10	167.45	13.72	156.53	12.58	146.32	11.54	135.23	10.13	132.03	10.34	126.59	9.85	117.06	8.81	108.25	7.87																	
	53	11.7	167.45	13.01	156.53	11.91	146.32	10.91	135.23	9.99	132.03	9.82	126.59	9.35	117.06	8.43	108.25	7.60																	
	56	13.3	167.45	13.00	156.53	11.94	146.32	10.96	135.23	10.02	132.03	9.77	126.59	9.35	117.06	8.41	108.25	7.55																	
	57	13.9	167.45	12.86	156.53	11.73	146.32	10.70	135.23	9.91	132.03	9.63	126.59	9.22	117.06	8.28	108.25	7.44																	
	60	15.6	167.45	12.85	156.53	11.73	146.32	10.72	135.23	9.86	132.03	9.11	126.59	9.05	117.06	8.13	108.25	7.31																	

120%

Combination	Outdoor Ambient Temperature °F DB °C DB	Indoor Ambient Temperature °F WB(°C WB)																																					
		59(15)				64(17.8)				68(20)				70(21.1)				72(22.2)				74(23.3)				75(23.9)				80(26.7)									
		TC	PI	KW	KBTU	TC	PI	KW	KBTU	TC	PI	KW	KBTU	TC	PI	KW	KBTU	TC	PI	KW	KBTU	TC	PI	KW	KBTU	TC	PI	KW	KBTU										
	-22	-30	49.26	11.58	46.05	11.18	43.04	10.82	39.08	10.30	38.84	10.86	37.45	10.70	35.03	10.47	32.76	10.28																					
	-13	-25	100.16	12.51	93.63	13.06	87.52	13.63	79.46	14.20	78.97	16.50	76.15	16.81	71.22	17.50	66.60	18.22																					
	-4	-20	116.58	11.90	108.98	12.42	101.87	12.97	92.48	13.50	91.92	15.70	88.64	15.99	82.89	16.65	77.52	17.33																					
	-2.2	-19	118.22	11.61	110.51	12.12	103.31	12.66	93.79	13.18	93.22	15.32	89.89	15.61	84.06	16.25	78.62	16.92																					
	4.1	-15.5	126.43	10.96	118.19	11.44	110.48	11.95	100.30	12.44	99.69	14.46	96.13	14.73	89.90	15.34	84.07	15.97																					
	12	-11.1	128.08	9.95	119.72	10.39	111.91	10.85	101.60	11.30	100.98	13.13	97.38	13.38	91.07	13.93	85.17	14.50																					
	13.1	-10.5	133.00	9.76	124.33	10.18	116.22	10.63	105.51	11.07	104.87	12.87	101.12	13.11	94.57	13.65	88.44	14.21																					
	15	-9.4	83.97	8.13	83.97	8.49	83.97	8.86	84.82	9.23	83.97	10.73	83.97	10.93	83.97	11.37	83.97	11.84																					
	18	-7.8	116.06	10.68	116.06	10.95	116.06	11.24	117.23	11.85	116.06	13.98	116.06	14.38	116.06	14.94	116.06	15.53																					
	21	-6.1	117.35	10.85	117.08	11.33	116.81	11.83	118.54	12.31	116.81	14.91	117.35	15.12	117.35	15.81	117.35	16.54																					
110%	24	-4.4	121.32	11.46	119.97	11.94	118.64	12.44	119.84	12.93	117.97	16.28	117.96	16.46	117.68	16.83	117.41	17.21																					
	28	-2.2	133.17	11.35	127.74	11.86	122.52	12.39	122.44	12.83	119.92	16.92	119.86	16.33	118.22	15.90	116.61	15.47																					
	32	0	137.62	12.12	134.94	12.43	132.32	12.74	125.05	12.74	123.15	16.22	120.74	15.71	117.28	14.34	113.91	13.09																					
	40	4.4	149.83	11.91	143.48	11.95	137.41	11.99	127.65	11.98	126.84	14.67	122.78	13.86	116.62	12.28	110.78	10.88																					
	43	6.1	164.20	11.94	153.49	11.73	143.48	11.54	130.26	10.63	129.47	12.20	124.84	11.54	116.75	10.09	109.19	8.83																					
	47	8.3	164.20	14.76	153.49	13.43	143.48	12.22	132.60	10.36	129.47	11.13	126.36	10.48	116.85	9.19	108.06	8.05																					
	50	10	164.20	13.86	153.49	12.71	143.48	11.66	132.60	10.23	129.47	10.44	124.13	9.95	114.78	8.90	106.14	7.95																					
	53	11.7	164.20	13.14	153.49	12.04	143.48	11.02	132.60	10.10	129.47	9.92	124.13	9.44	114.78	8.51	106.14	7.68																					
	56	13.3	164.20	13.13	153.49	12.06	143.48	11.07	132.60	10.12	129.47	9.87	124.13	9.45	114.78	8.49	106.14	7.63																					
	57	13.9	164.20	12.99	153.49	11.85	143.48	10.81	132.60	10.01	129.47	9.73	124.13	9.31	114.78	8.36	106.14	7.51																					
	60	15.6	164.20	12.98	153.49	11.85	143.48	10.83	132.60	9.96	129.47	9.20	124.13	9.14	114.78	8.22	106.14	7.39																					

Combination	Outdoor Ambient Temperature °C DB		Indoor Ambient Temperature °F WB(°C WB)																							
			59(15)			64(17.8)			68(20)			70(21.1)			72(22.2)			74(23.3)			75(23.9)			80(26.7)		
			TC	PI	KW	TC	PI	KW	TC	PI	KW	TC	PI	KW	TC	PI	KW	TC	PI	KW	TC	PI	KW	TC	PI	KW
	-22	-30	48.77	11.53	45.59	11.14	42.62	10.79	38.83	10.81	38.46	10.84	37.08	10.68	34.68	10.46	32.43	10.27								
	-13	-25	99.17	12.63	92.70	13.19	86.66	13.77	78.07	14.17	78.19	16.67	75.40	16.98	70.51	17.68	65.95	18.40								
	-4	-20	115.43	12.02	107.90	12.55	100.86	13.10	90.49	14.09	91.01	15.86	87.76	16.15	82.07	16.81	76.76	17.50								
	-2.2	-19	117.05	11.73	109.42	12.25	102.28	12.79	91.20	13.89	92.29	15.48	89.00	15.77	83.23	16.41	77.84	17.09								
	4.1	-15.5	125.18	11.07	117.02	11.56	109.39	12.07	104.92	13.80	98.70	14.61	95.18	14.88	89.01	15.49	83.24	16.13								
	12	-11.1	126.81	10.06	118.54	10.50	110.81	10.96	105.76	8.39	99.98	13.27	96.41	13.51	90.17	14.07	84.32	14.65								
	13.1	-10.5	131.68	9.85	123.10	10.29	115.07	10.74	114.78	7.46	103.83	13.00	100.12	13.24	93.63	13.79	87.57	14.35								
	15	-9.4	83.14	8.21	83.14	8.57	83.14	8.95	84.72	9.32	83.14	10.83	83.14	11.04	83.14	11.49	83.14	11.96								
	18	-7.8	114.91	10.79	114.91	11.06	114.91	11.35	116.07	11.97	114.91	14.12	114.91	14.52	114.91	15.10	114.91	15.69								
	21	-6.1	116.19	10.96	115.92	11.44	115.65	11.95	117.36	12.44	115.65	15.06	116.19	15.27	116.19	15.97	116.19	16.70								
	24	-4.4	120.12	11.57	118.79	12.06	117.47	12.56	118.65	13.06	116.81	16.45	116.79	16.63	116.52	17.00	116.25	17.38								
	28	-2.2	131.85	11.46	126.47	11.97	121.31	12.51	121.23	12.96	118.73	17.09	118.67	16.49	117.05	16.06	115.46	15.63								
	32	0	136.25	12.24	133.61	12.55	131.01	12.87	123.81	12.87	121.93	16.38	119.54	15.87	116.11	14.48	112.79	13.22								
	40	4.4	148.35	12.03	142.06	12.07	136.05	12.11	126.39	12.10	125.58	14.82	121.56	14.00	115.47	12.41	109.68	10.99								
	43	6.1	162.57	12.06	151.97	11.85	142.06	11.65	129.42	10.74	128.18	12.33	123.61	11.66	115.60	10.19	108.11	8.91								
	47	8.3	162.57	14.91	151.97	13.57	142.06	12.34	131.29	10.47	128.18	11.24	125.11	10.59	115.69	9.28	106.99	8.14								
	50	10	162.57	14.00	151.97	12.84	142.06	11.78	131.29	10.34	128.18	10.55	122.90	10.05	113.65	8.99	105.09	8.03								
	53	11.7	162.57	13.27	151.97	12.16	142.06	11.14	131.29	10.20	128.18	10.02	122.90	9.54	113.65	8.60	105.09	7.75								
	56	13.3	162.57	13.26	151.97	12.18	142.06	11.19	131.29	10.23	128.18	9.97	122.90	9.54	113.65	8.58	105.09	7.71								
	57	13.9	162.57	13.12	151.97	11.97	142.06	10.92	131.29	10.11	128.18	9.83	122.90	9.40	113.65	8.45	105.09	7.59								
	60	15.6	162.57	13.11	151.97	11.97	142.06	10.93	131.29	10.06	128.18	9.29	122.90	9.23	113.65	8.30	105.09	7.46								

Combination	Outdoor Ambient Temperature		Indoor Ambient Temperature °F WB(°C WB)																																																																																																																																																																																																																																																																																																																																																																																									
			59(15)						64(17.8)						68(20)						70(21.1)						72(22.2)						74(23.3)						75(23.9)						80(26.7)																																																																																																																																																																																																																																																																																																																																															
			TC	PI	KBTU	kW	TC	PI	KBTU	kW	TC	PI	KBTU	kW	TC	PI	KBTU	kW	TC	PI	KBTU	kW	TC	PI	KBTU	kW	TC	PI	KBTU	kW	TC	PI	KBTU	kW	TC	PI	KBTU	kW																																																																																																																																																																																																																																																																																																																																																						
	°F DB	°C DB	-22	-30	44.87	10.58	41.94	10.21	39.21	9.89	35.60	9.41	35.38	9.93	34.12	9.79	31.90	9.58	29.84	9.40	-13	-25	91.24	11.50	85.29	12.00	79.72	12.53	72.38	13.05	71.94	15.17	69.37	15.45	64.87	16.09	60.67	16.75	-4	-20	106.19	10.94	99.27	11.42	92.79	11.92	84.24	12.41	83.73	14.43	80.74	14.70	75.51	15.30	70.62	15.93	-2.2	-19	107.69	10.68	100.67	11.14	94.10	11.64	85.43	12.12	84.91	14.09	81.88	14.35	76.57	14.94	71.61	15.55	4.1	-15.5	115.17	10.08	107.66	10.52	100.64	10.98	91.36	11.44	90.81	13.29	87.56	13.54	81.89	14.10	76.58	14.68	12	-11.1	116.66	9.15	109.05	9.55	101.94	9.97	92.55	10.39	91.99	12.07	88.70	12.30	82.95	12.80	77.58	13.33	13.1	-10.5	121.15	8.97	113.25	9.36	105.86	9.77	96.11	10.18	95.52	11.83	92.11	12.05	86.14	12.55	80.56	13.06	15	-9.4	76.49	7.47	76.49	7.80	76.49	8.14	77.26	8.48	76.49	9.86	76.49	10.04	76.49	10.46	76.49	10.88	18	-7.8	105.72	9.82	105.72	10.07	105.72	10.33	106.79	10.89	105.72	12.85	105.72	13.22	105.72	13.74	105.72	14.28	21	-6.1	106.89	9.97	106.65	10.41	106.40	10.87	107.97	11.32	106.40	13.71	106.89	13.89	106.89	14.53	106.89	15.20	24	-4.4	110.51	10.53	109.28	10.97	108.07	11.43	109.16	11.89	107.46	14.97	107.45	15.13	107.20	15.47	106.95	15.82	28	-2.2	121.31	10.43	116.35	10.90	111.61	11.38	111.53	11.79	109.23	15.55	109.18	15.01	107.69	14.61	106.22	14.22	32	0	125.35	11.14	122.92	11.42	120.53	11.71	113.91	11.71	112.18	14.91	109.98	14.44	106.83	13.18	103.76	12.03	40	4.4	136.48	10.95	130.70	10.99	125.16	11.02	116.28	11.01	115.53	13.49	111.84	12.74	106.23	11.29	100.91	10.00	43	6.1	149.57	10.97	139.81	10.79	130.70	10.60	118.65	9.77	117.93	11.22	113.72	10.61	106.35	9.28	99.46	8.11	47	8.3	149.57	13.57	139.81	12.35	130.70	11.23	120.79	9.53	117.93	10.23	115.10	9.64	106.44	8.45	98.43	7.40	50	10	149.57	12.74	139.81	11.69	130.70	10.72	120.79	9.41	117.93	9.60	113.07	9.15	104.56	8.18	96.69	7.31	53	11.7	149.57	12.08	139.81	11.06	130.70	10.13	120.79	9.28	117.93	9.11	113.07	8.68	104.56	7.83	96.69	7.06	56	13.3	149.57	12.07	139.81	11.08	130.70	10.18	120.79	9.30	117.93	9.07	113.07	8.69	104.56	7.81	96.69	7.02	57	13.9	149.57	11.94	139.81	10.89	130.70	9.94	120.79	9.20	117.93	8.94	113.07	8.56	104.56	7.69	96.69	6.91	60	15.6	149.57	11.93	139.81	10.90	130.70	9.95	120.79	9.15	117.93	8.46	113.07	8.40	104.56	7.55	96.69	6.79

Combination	Outdoor Ambient Temperature		Indoor Ambient Temperature °F WB(°C WB)																																															
			59(15)						64(17.8)						68(20)						70(21.1)						72(22.2)						74(23.3)						75(23.9)						80(26.7)					
			°F DB	°C DB	TC	KBTU	PI	KW	TC	KBTU	PI	KW	TC	KBTU	PI	KW	TC	KBTU	PI	KW	TC	KBTU	PI	KW	TC	KBTU	PI	KW	TC	KBTU	PI	KW	TC	KBTU	PI	KW														
	-22	-30	39.51	9.10	36.93	8.77	34.52	8.48	31.34	8.05	31.15	8.46	30.04	8.33	28.09	8.14	26.27	7.97																																
	-13	-25	80.33	9.31	75.09	9.72	70.19	10.15	63.72	10.57	63.34	12.29	61.07	12.52	57.12	13.03	53.42	13.56																																
	-4	-20	93.50	8.86	87.40	9.25	81.70	9.65	74.17	10.05	73.72	11.69	71.09	11.91	66.48	12.39	62.17	12.90																																
	-2.2	-19	94.81	8.65	88.63	9.03	82.85	9.42	75.22	9.81	74.76	11.41	72.09	11.62	67.42	12.10	63.05	12.60																																
	4.1	-15.5	101.40	8.16	94.78	8.52	88.60	8.89	80.44	9.26	79.95	10.77	77.09	10.97	72.10	11.42	67.43	11.89																																
	12	-11.1	102.71	7.41	96.02	7.74	89.75	8.08	81.48	8.41	80.99	9.78	78.09	9.96	73.03	10.37	68.30	10.80																																
	13.1	-10.5	106.66	7.26	99.71	7.58	93.21	7.92	84.62	8.24	84.10	9.58	81.10	9.76	75.84	10.16	70.93	10.58																																
	15	-9.4	67.34	6.05	67.34	6.32	67.34	6.60	68.02	6.87	67.34	7.99	67.34	8.14	67.34	8.47	67.34	8.82																																
	18	-7.8	93.08	7.95	93.08	8.16	93.08	8.37	94.02	8.82	93.08	10.41	93.08	10.71	93.08	11.13	93.08	11.56																																
	21	-6.1	94.11	8.08	93.90	8.43	93.68	8.81	95.06	9.17	93.68	11.10	94.11	11.25	94.11	11.77	94.11	12.31																																
80%	24	-4.4	97.30	8.53	96.22	8.89	95.15	9.26	96.11	9.63	94.61	12.12	94.60	12.26	94.38	12.53	94.16	12.81																																
	28	-2.2	106.80	8.45	102.44	8.83	98.26	9.22	98.20	9.55	96.17	12.60	96.12	12.16	94.81	11.83	93.52	11.52																																
	32	0	110.37	9.02	108.22	9.25	106.12	9.49	100.29	9.49	98.77	12.08	96.83	11.70	94.05	10.68	91.36	9.75																																
	40	4.4	120.16	8.87	115.07	8.90	110.20	8.93	102.38	8.92	101.72	10.92	98.46	10.32	93.53	9.14	88.84	8.10																																
	43	6.1	131.68	8.89	123.10	8.74	115.07	8.59	104.47	7.92	103.83	9.09	100.12	8.59	93.63	7.51	87.57	6.57																																
	47	8.3	131.68	10.99	123.10	10.00	115.07	9.10	106.35	7.72	103.83	8.29	101.34	7.81	93.71	6.84	86.66	6.00																																
	50	10	131.68	10.32	123.10	9.47	115.07	8.68	106.35	7.62	103.83	7.77	99.55	7.41	92.05	6.62	85.13	5.92																																
	53	11.7	131.68	9.78	123.10	8.96	115.07	8.21	106.35	7.52	103.83	7.38	99.55	7.03	92.05	6.34	85.13	5.72																																
	56	13.3	131.68	9.78	123.10	8.98	115.07	8.24	106.35	7.54	103.83	7.35	99.55	7.04	92.05	6.32	85.13	5.68																																
	57	13.9	131.68	9.67	123.10	8.82	115.07	8.05	106.35	7.45	103.83	7.24	99.55	6.93	92.05	6.23	85.13	5.59																																
	60	15.6	131.68	9.67	123.10	8.83	115.07	8.06	106.35	7.41	103.83	6.85	99.55	6.81	92.05	6.12	85.13	5.50																																

Combination	Outdoor Ambient Temperature		Indoor Ambient Temperature °F WB(°C WB)																										
			59(15)			64(17.8)			68(20)			70(21.1)			72(22.2)			74(23.3)			75(23.9)			80(26.7)					
			°F DB	°C DB	TC	KBTU	PI	kW	TC	KBTU	PI	kW	TC	KBTU	PI	kW	TC	KBTU	PI	kW	TC	KBTU	PI	kW	TC	KBTU	PI	kW	
	-22	-30	34.14	8.07	31.91	7.80	29.83	7.55	27.08	7.19	26.92	7.59	25.96	7.48	24.28	7.32	22.70	7.19											
	-13	-25	69.42	8.84	64.89	9.23	60.66	9.64	55.07	10.04	54.73	11.67	52.78	11.89	49.36	12.37	46.16	12.88											
	-4	-20	80.80	8.41	75.53	8.78	70.60	9.17	64.10	9.55	63.71	11.10	61.43	11.31	57.45	11.77	53.73	12.25											
	-2.2	-19	81.94	8.21	76.59	8.57	71.60	8.95	65.00	9.32	64.60	10.83	62.30	11.04	58.26	11.49	54.49	11.96											
	4.1	-15.5	87.63	7.75	81.91	8.09	76.57	8.45	69.51	8.80	69.09	10.23	66.62	10.42	62.31	10.84	58.27	11.29											
	12	-11.1	88.77	7.04	82.98	7.35	77.56	7.67	70.42	7.99	69.99	9.29	67.49	9.46	63.12	9.85	59.03	10.25											
	13.1	-10.5	92.18	6.90	86.17	7.20	80.55	7.52	73.13	7.83	72.68	9.10	70.08	9.27	65.54	9.65	61.30	10.05											
	15	-9.4	58.20	5.75	58.20	6.00	58.20	6.27	58.79	6.52	58.20	7.58	58.20	7.73	58.20	8.04	58.20	8.37											
	18	-7.8	80.44	7.55	80.44	7.75	80.44	7.95	81.25	8.38	80.44	9.88	80.44	10.17	80.44	10.57	80.44	10.98											
	21	-6.1	81.33	7.67	81.15	8.01	80.96	8.36	82.15	8.71	80.96	10.54	81.33	10.69	81.33	11.18	81.33	11.69											
70%	24	-4.4	84.08	8.10	83.15	8.44	82.23	8.79	83.06	9.15	81.76	11.51	81.75	11.64	81.56	11.90	81.37	12.17											
	28	-2.2	92.30	8.02	88.53	8.38	84.92	8.76	84.86	9.07	83.11	11.96	83.07	11.55	81.94	11.24	80.82	10.94											
	32	0	95.38	8.57	93.53	8.79	91.71	9.01	86.67	9.01	85.35	11.47	83.68	11.11	81.28	10.14	78.95	9.25											
	40	4.4	103.84	8.42	99.44	8.45	95.23	8.48	88.47	8.47	87.91	10.37	85.09	9.80	80.83	8.68	76.78	7.69											
	43	6.1	113.80	8.44	106.38	8.30	99.44	8.16	90.28	7.52	89.73	8.63	86.52	8.16	80.92	7.14	75.67	6.24											
	47	8.3	113.80	10.44	106.38	9.50	99.44	8.64	91.90	7.33	89.73	7.87	87.58	7.41	80.99	6.50	74.89	5.69											
	50	10	113.80	9.80	106.38	8.99	99.44	8.24	91.90	7.24	89.73	7.38	86.03	7.04	79.55	6.29	73.57	5.62											
	53	11.7	113.80	9.29	106.38	8.51	99.44	7.79	91.90	7.14	89.73	7.01	86.03	6.68	79.55	6.02	73.57	5.43											
	56	13.3	113.80	9.29	106.38	8.53	99.44	7.83	91.90	7.16	89.73	6.98	86.03	6.68	79.55	6.00	73.57	5.40											
	57	13.9	113.80	9.19	106.38	8.38	99.44	7.65	91.90	7.08	89.73	6.88	86.03	6.58	79.55	5.91	73.57	5.31											
	60	15.6	113.80	9.18	106.38	8.38	99.44	7.65	91.90	7.04	89.73	6.51	86.03	6.46	79.55	5.81	73.57	5.22											

Combination	Outdoor Ambient Temperature °C DB		Indoor Ambient Temperature °F WB(°C WB)																																																																																																																																																																																																																																																																																																																																															
			59(15)				64(17.8)				68(20)				70(21.1)				72(22.2)				74(23.3)				75(23.9)				80(26.7)																																																																																																																																																																																																																																																																																																																			
			TC	PI	KBTU	kW	TC	PI	KBTU	kW	TC	PI	KBTU	kW	TC	PI	KBTU	kW	TC	PI	KBTU	kW	TC	PI	KBTU	kW	TC	PI	KBTU	kW	TC	PI	KBTU	kW																																																																																																																																																																																																																																																																																																																
	-22	-30	30.73	7.23	28.72	6.98	26.85	6.76	24.38	6.43	24.23	6.78	23.36	6.69	21.85	6.54	20.43	6.42	62.48	7.83	58.40	8.18	54.59	8.54	49.56	8.89	49.26	10.33	47.50	10.53	44.42	10.96	41.55	11.41	72.72	7.45	67.98	7.78	63.54	8.12	57.69	8.46	57.34	9.83	55.29	10.01	51.71	10.42	48.36	10.85	73.74	7.27	68.93	7.59	64.44	7.93	58.50	8.25	58.14	9.60	56.07	9.78	52.43	10.18	49.04	10.59	78.86	6.86	73.72	7.17	68.91	7.48	62.56	7.79	62.18	9.06	59.96	9.23	56.08	9.60	52.44	10.00	79.89	6.23	74.68	6.51	69.81	6.79	63.38	7.08	62.99	8.23	60.74	8.38	56.80	8.72	53.12	9.08	82.96	6.11	77.55	6.38	72.49	6.66	65.81	6.93	65.41	8.06	63.08	8.21	58.99	8.55	55.17	8.90	52.38	5.09	52.38	5.32	52.38	5.55	52.91	5.78	52.38	6.72	52.38	6.84	52.38	7.12	52.38	7.42	72.39	6.69	72.39	6.86	72.39	7.04	73.13	7.42	72.39	8.75	72.39	9.01	72.39	9.36	72.39	9.73	73.20	6.79	73.03	7.09	72.86	7.41	73.94	7.71	72.86	9.34	73.20	9.47	73.20	9.90	73.20	10.36	75.68	7.18	74.83	7.48	74.00	7.79	74.75	8.10	73.59	10.20	73.58	10.31	73.41	10.54	73.24	10.78	83.07	7.11	79.68	7.42	76.43	7.76	76.38	8.04	74.80	10.60	74.76	10.23	73.74	9.95	72.74	9.69	85.84	7.59	84.17	7.78	82.54	7.98	78.00	7.98	76.82	10.16	75.31	9.84	73.15	8.98	71.06	8.20	93.46	7.46	89.50	7.49	85.71	7.51	79.63	7.50	79.12	9.19	76.58	8.68	72.75	7.69	69.10	6.82	102.42	7.48	95.74	7.35	89.50	7.22	81.25	6.66	80.76	7.64	77.87	7.23	72.83	6.32	68.11	5.53	102.42	9.24	95.74	8.41	89.50	7.65	82.71	6.49	80.76	6.97	78.82	6.57	72.89	5.75	67.40	5.04	102.42	8.68	95.74	7.96	89.50	7.30	82.71	6.41	80.76	6.54	77.43	6.23	71.60	5.57	66.21	4.98	102.42	8.23	95.74	7.54	89.50	6.90	82.71	6.32	80.76	6.21	77.43	5.91	71.60	5.33	66.21	4.81	102.42	8.22	95.74	7.55	89.50	6.94	82.71	6.34	80.76	6.18	77.43	5.92	71.60	5.32	66.21	4.78	102.42	8.14	95.74	7.42	89.50	6.77	82.71	6.27	80.76	6.09	77.43	5.83	71.60	5.24	66.21	4.71	102.42	8.13	95.74	7.42	89.50	6.78	82.71	6.24	80.76	5.76	77.43	5.72	71.60	5.15	66.21	4.63

Combination	Outdoor Ambient Temperature °F DB °C DB	Indoor Ambient Temperature °F WB(°C WB)																								
		59(15)			64(17.8)			68(20)			70(21.1)			72(22.2)			74(23.3)			75(23.9)			80(26.7)			
		TC	PI	KW	TC	PI	KW	TC	PI	KW	TC	PI	KW	TC	PI	KW	TC	PI	KW	TC	PI	KW	TC	PI	KW	
	-22	-30	26.34	6.59	24.62	6.39	23.01	6.22	20.89	5.96	20.77	6.33	20.02	6.26	18.73	6.15	17.51	6.07								
	-13	-25	53.55	8.21	50.06	8.57	46.79	8.95	42.48	9.32	42.22	10.83	40.72	11.04	38.08	11.49	35.61	11.96								
	-4	-20	62.33	7.81	58.27	8.15	54.47	8.51	49.45	8.87	49.15	10.31	47.39	10.50	44.32	10.93	41.45	11.38								
	-2.2	-19	63.21	7.63	59.09	7.96	55.23	8.31	50.14	8.65	49.84	10.06	48.06	10.25	44.94	10.67	42.03	11.11								
	4.1	-15.5	67.60	7.20	63.19	7.51	59.07	7.84	53.63	8.17	53.30	9.50	51.40	9.67	48.07	10.07	44.95	10.48								
	12	-11.1	68.48	6.54	64.01	6.82	59.84	7.12	54.32	7.42	53.99	8.62	52.06	8.78	48.69	9.14	45.53	9.52								
	13.1	-10.5	71.11	6.41	66.47	6.69	62.14	6.98	56.41	7.27	56.07	8.45	54.07	8.61	50.56	8.96	47.29	9.33								
	15	-9.4	44.90	5.34	44.90	5.57	44.90	5.82	45.35	6.06	44.90	7.04	44.90	7.17	44.90	7.47	44.90	7.77								
	18	-7.8	62.05	7.01	62.05	7.19	62.05	7.38	62.68	7.78	62.05	9.18	62.05	9.44	62.05	9.81	62.05	10.20								
	21	-6.1	62.74	7.12	62.60	7.44	62.45	7.77	63.38	8.08	62.45	9.79	62.74	9.92	62.74	10.38	62.74	10.86								
	24	-4.4	64.86	7.52	64.14	7.84	63.43	8.16	64.07	8.49	63.08	10.69	63.07	10.81	62.92	11.05	62.77	11.30								
	28	-2.2	71.20	7.45	68.29	7.78	65.51	8.13	65.47	8.42	64.11	11.11	64.08	10.72	63.21	10.44	62.35	10.16								
	32	0	73.58	7.96	72.15	8.16	70.75	8.37	66.86	8.37	65.84	10.65	64.55	10.32	62.70	9.42	60.90	8.59								
	40	4.4	80.11	7.82	76.71	7.85	73.47	7.87	68.25	7.86	67.81	9.63	65.64	9.10	62.35	8.06	59.23	7.14								
	43	6.1	87.79	7.84	82.06	7.70	76.71	7.57	69.64	6.98	69.22	8.01	66.75	7.58	62.42	6.63	58.38	5.79								
	47	8.3	87.79	9.69	82.06	8.82	76.71	8.02	70.90	6.80	69.22	7.31	67.56	6.88	62.47	6.03	57.77	5.29								
	50	10	87.79	9.10	82.06	8.35	76.71	7.65	70.90	6.72	69.22	6.86	66.37	6.54	61.37	5.84	56.75	5.22								
	53	11.7	87.79	8.63	82.06	7.90	76.71	7.24	70.90	6.63	69.22	6.51	66.37	6.20	61.37	5.59	56.75	5.04								
	56	13.3	87.79	8.62	82.06	7.92	76.71	7.27	70.90	6.65	69.22	6.48	66.37	6.20	61.37	5.58	56.75	5.01								
	57	13.9	87.79	8.53	82.06	7.78	76.71	7.10	70.90	6.57	69.22	6.39	66.37	6.11	61.37	5.49	56.75	4.93								
	60	15.6	87.79	8.52	82.06	7.78	76.71	7.11	70.90	6.54	69.22	6.04	66.37	6.00	61.37	5.39	56.75	4.85								

MVHQ144ME4CA
460v heating capacity

Combination	Outdoor Ambient Temperature		Indoor Ambient Temperature °F WB(°C WB)																							
			59(15)			64(17.8)			68(20)			70(21.1)			72(22.2)			74(23.3)			75(23.9)			80(26.7)		
			TC	PI	KW	TC	PI	KW	TC	PI	KW	TC	PI	KW	TC	PI	KW	TC	PI	KW	TC	PI	KW	TC	PI	KW
	°F DB	°C DB	KBTU	PI	KW	KBTU	PI	KW	KBTU	PI	KW	KBTU	PI	KW	KBTU	PI	KW	KBTU	PI	KW	KBTU	PI	KW	KBTU	PI	KW
	-22	-30	60.55	16.31	15.50	52.91	14.73	13.63	47.74	13.54	13.63	46.04	13.26	13.26	43.06	12.60	12.60	40.27	11.98	11.98	37.55	12.60	12.60	40.27	11.98	11.98
	-13	-25	123.12	24.96	24.36	107.59	23.77	22.85	97.08	22.25	22.85	93.61	22.49	22.49	87.55	21.86	21.86	81.87	21.25	21.25	77.55	21.86	21.86	81.87	21.25	21.25
	-4	-20	143.31	24.30	23.71	125.23	23.14	22.24	112.99	21.66	22.24	108.96	21.89	21.89	101.90	21.28	21.28	95.30	20.68	20.68	91.90	21.28	21.28	95.30	20.68	20.68
	-2.2	-19	145.33	23.67	23.10	126.99	22.54	21.66	114.59	21.09	21.66	110.49	21.32	21.32	103.33	20.72	20.72	96.64	20.14	20.14	92.33	20.72	20.72	96.64	20.14	20.14
	4.1	-15.5	155.42	22.78	22.23	135.81	21.69	20.85	122.54	20.30	20.85	118.17	20.52	20.52	110.51	19.95	19.95	103.35	19.39	19.39	99.51	19.95	19.95	103.35	19.39	19.39
	12	-11.1	157.44	19.18	18.72	137.57	18.27	17.56	124.13	17.10	17.56	119.70	17.28	17.28	111.95	16.80	16.80	104.69	16.33	16.33	100.95	16.80	16.80	104.69	16.33	16.33
	13.1	-10.5	163.49	18.22	17.78	142.86	17.35	16.68	128.91	16.24	16.68	124.31	16.42	16.42	116.25	15.96	15.96	108.72	15.51	15.51	105.05	15.96	15.96	108.72	15.51	15.51
	15	-9.4	111.17	11.26	11.76	111.17	12.28	13.08	111.17	12.78	13.08	111.17	13.35	13.35	111.17	13.87	13.87	111.17	14.42	14.42	107.17	13.87	13.87	111.17	14.42	14.42
	18	-7.8	142.67	12.72	13.05	142.67	13.39	14.33	142.67	14.12	14.33	142.67	14.54	14.54	142.67	15.20	15.20	142.67	15.90	15.90	138.67	15.20	15.20	142.67	15.90	15.90
	21	-6.1	144.26	12.92	13.50	143.59	14.09	14.91	143.59	14.67	14.91	144.25	15.07	15.07	144.25	15.41	15.41	144.25	15.76	15.76	140.25	15.41	15.41	144.25	15.76	15.76
	24	-4.4	149.14	13.65	14.22	145.84	14.82	15.66	145.02	15.41	15.66	145.00	15.07	15.07	144.66	14.67	14.67	144.33	14.28	14.28	140.66	14.67	14.67	144.33	14.28	14.28
	28	-2.2	163.70	13.52	14.12	150.61	14.76	15.49	147.41	15.29	15.49	147.34	14.60	14.60	145.33	13.32	13.32	143.34	12.16	12.16	141.34	13.32	13.32	143.34	12.16	12.16
	32	0	169.17	14.44	14.81	162.66	15.18	14.97	151.39	15.18	14.97	148.42	13.70	13.70	144.16	12.14	12.14	140.03	10.76	10.76	136.03	12.14	12.14	140.03	10.76	10.76
	40	4.4	184.18	14.19	14.24	168.91	14.29	13.63	155.92	14.27	13.63	150.92	12.85	12.85	143.36	11.24	11.24	136.18	9.83	9.83	132.36	11.24	11.24	136.18	9.83	9.83
	43	6.1	201.84	14.22	13.98	176.37	13.74	12.07	159.15	12.67	12.07	153.46	11.98	11.98	143.52	10.50	10.50	134.22	9.20	9.20	130.52	10.50	10.50	134.22	9.20	9.20
	47	8.3	201.84	17.59	16.00	176.37	14.56	12.40	159.15	12.35	12.40	155.33	11.52	11.52	143.64	10.29	10.29	132.83	9.20	9.20	129.03	10.29	10.29	132.83	9.20	9.20
	50	10	201.84	16.52	15.15	176.37	13.89	11.93	159.15	12.19	11.93	152.58	11.07	11.07	141.10	9.99	9.99	130.48	9.00	9.00	126.10	9.99	9.99	130.48	9.00	9.00
	53	11.7	201.84	15.66	14.34	176.37	13.13	11.47	159.15	12.03	11.47	152.58	11.05	11.05	141.10	9.93	9.93	130.48	8.93	8.93	127.10	9.93	9.93	130.48	8.93	8.93
	56	13.3	201.84	15.65	14.37	176.37	13.19	11.58	159.15	12.06	11.58	152.58	11.01	11.01	141.10	9.89	9.89	130.48	8.89	8.89	128.10	9.89	9.89	130.48	8.89	8.89
	57	13.9	201.84	15.48	14.12	176.37	12.88	11.38	159.15	11.93	11.38	152.58	10.87	10.87	141.10	9.77	9.77	130.48	8.78	8.78	129.10	9.77	9.77	130.48	8.78	8.78
	60	15.6	201.84	15.47	14.12	176.37	12.90	10.88	159.15	11.87	10.88	152.58	10.84	10.84	141.10	9.69	9.69	130.48	8.66	8.66	128.10	9.69	9.69	130.48	8.66	8.66

130%

Combination	Outdoor Ambient Temperature °F DB °C DB	Indoor Ambient Temperature °F WB(°C WB)																							
		59(15)			64(17.8)			68(20)			70(21.1)			72(22.2)			74(23.3)			75(23.9)			80(26.7)		
		TC	PI	KW	TC	PI	KW	TC	PI	KW	TC	PI	KW	TC	PI	KW	TC	PI	KW	TC	PI	KW	TC	PI	KW
	-22	-30	59.97	16.28	56.06	15.47	52.40	14.71	47.57	13.51	47.29	13.61	45.60	13.24	42.64	12.58	39.88	11.97							
	-13	-25	121.94	25.22	113.99	24.61	106.55	24.02	96.74	22.48	96.15	23.09	92.71	22.72	86.71	22.08	81.09	21.46							
	-4	-20	141.93	24.55	132.67	23.96	124.02	23.38	112.59	21.88	111.91	22.47	107.91	22.11	100.92	21.50	94.38	20.89							
	-2.2	-19	143.93	23.91	134.54	23.33	125.77	22.77	114.18	21.31	113.48	21.89	109.43	21.54	102.34	20.94	95.71	20.35							
	4.1	-15.5	153.93	23.01	143.89	22.46	134.50	21.92	122.11	20.51	121.37	21.07	117.03	20.73	109.45	20.15	102.36	19.59							
	12	-11.1	155.92	19.38	145.76	18.91	136.25	18.46	123.69	17.27	122.94	17.74	118.55	17.46	110.87	16.97	103.68	16.49							
	13.1	-10.5	161.92	18.41	151.36	17.97	141.49	17.53	128.45	16.41	127.67	16.85	123.11	16.59	115.13	16.12	107.67	15.67							
	15	-9.4	110.10	11.38	110.10	11.88	110.10	12.40	111.21	12.92	110.10	13.21	110.10	13.49	110.10	14.02	110.10	14.57							
	18	-7.8	141.30	12.85	141.30	13.19	141.30	13.53	142.72	14.26	141.30	14.47	141.30	14.69	141.30	15.36	141.30	16.07							
	21	-6.1	142.87	13.06	142.54	13.63	142.21	14.24	144.31	14.82	142.21	15.06	142.87	15.23	142.87	15.57	142.87	15.92							
	24	-4.4	147.70	13.79	146.06	14.37	144.44	14.97	145.90	15.57	143.63	15.82	143.61	15.23	143.27	14.82	142.94	14.43							
	28	-2.2	162.13	13.66	155.51	14.27	149.16	14.91	149.07	15.44	145.99	15.65	145.92	14.75	143.93	13.46	141.97	12.29							
	32	0	167.54	14.59	164.29	14.96	161.10	15.34	152.24	15.34	149.93	15.12	146.99	13.85	142.78	12.27	138.68	10.87							
	40	4.4	182.41	14.34	174.68	14.39	167.28	14.44	155.41	14.42	154.42	13.77	149.47	12.98	141.98	11.35	134.87	9.93							
	43	6.1	199.90	14.37	186.87	14.13	174.68	13.89	158.58	12.80	157.62	12.19	151.99	12.10	142.14	10.61	132.93	9.30							
	47	8.3	199.90	17.77	186.87	16.17	174.68	14.71	161.44	12.48	157.62	12.52	153.84	11.64	142.26	10.40	131.55	9.30							
	50	10	199.90	16.69	186.87	15.30	174.68	14.03	161.44	12.32	157.62	12.05	151.12	11.19	139.74	10.09	129.22	9.10							
	53	11.7	199.90	15.82	186.87	14.49	174.68	13.27	161.44	12.15	157.62	11.59	151.12	11.17	139.74	10.04	129.22	9.02							
	56	13.3	199.90	15.81	186.87	14.52	174.68	13.33	161.44	12.19	157.62	11.70	151.12	11.13	139.74	10.00	129.22	8.98							
	57	13.9	199.90	15.64	186.87	14.27	174.68	13.02	161.44	12.05	157.62	11.50	151.12	10.98	139.74	9.87	129.22	8.87							
	60	15.6	199.90	15.63	186.87	14.27	174.68	13.03	161.44	11.99	157.62	11.00	151.12	10.95	139.74	9.79	129.22	8.75							

120%

Combination	Outdoor Ambient Temperature		Indoor Ambient Temperature °F WB(°C WB)																																																																																																																																																																																																																																																																																																																																																																																											
			59(15)						64(17.8)						68(20)						70(21.1)						72(22.2)						74(23.3)						75(23.9)						80(26.7)																																																																																																																																																																																																																																																																																																																																																	
			TC	PI	KBTU	KW	TC	PI	KBTU	KW	TC	PI	KBTU	KW	TC	PI	KBTU	KW	TC	PI	KBTU	KW	TC	PI	KBTU	KW	TC	PI	KBTU	KW	TC	PI	KBTU	KW	TC	PI	KBTU	KW																																																																																																																																																																																																																																																																																																																																																								
	°F DB	°C DB	-22	-30	58.81	16.14	54.97	15.34	51.39	14.59	46.65	13.41	46.37	13.51	44.71	13.15	41.81	12.50	39.10	11.89	-13	-25	119.57	25.48	111.77	24.86	104.49	24.26	94.86	22.71	94.28	23.32	90.91	22.95	85.02	22.31	79.51	21.68	-4	-20	139.18	24.80	130.10	24.20	121.61	23.62	110.41	22.10	109.74	22.70	105.82	22.34	98.96	21.71	92.55	21.11	-2.2	-19	141.14	24.15	131.93	23.57	123.33	23.00	111.96	21.53	111.28	22.11	107.31	21.76	100.35	21.15	93.85	20.56	4.1	-15.5	150.94	23.25	141.09	22.69	131.89	22.14	119.74	20.72	119.01	21.28	114.76	20.94	107.32	20.36	100.37	19.79	12	-11.1	152.90	19.58	142.93	19.11	133.60	18.64	121.29	17.45	120.55	17.92	116.25	17.64	108.72	17.14	101.67	16.66	13.1	-10.5	158.78	18.60	148.42	18.15	138.74	17.71	125.96	16.58	125.19	17.02	120.72	16.76	112.90	16.29	105.58	15.83	15	-9.4	107.96	11.50	107.96	12.00	107.96	12.53	109.05	13.05	107.96	13.35	107.96	13.62	107.96	14.16	107.96	14.71	18	-7.8	138.55	12.99	138.55	13.32	138.55	13.66	139.95	14.41	138.55	14.62	138.55	14.84	138.55	15.52	138.55	16.23	21	-6.1	140.09	13.19	139.77	13.77	139.45	14.38	141.51	14.97	139.45	15.21	140.09	15.38	140.09	15.73	140.09	16.08	24	-4.4	144.83	13.93	143.22	14.52	141.63	15.12	143.06	15.73	140.84	15.98	140.84	15.38	140.82	15.38	140.49	14.97	140.17	14.57	28	-2.2	158.98	13.80	152.49	14.42	146.27	15.06	146.17	15.60	143.16	15.81	143.09	14.90	141.13	13.60	139.21	12.41	32	0	164.29	14.74	161.10	15.11	157.97	15.50	149.28	15.50	147.02	15.28	144.14	13.99	140.00	12.39	135.99	10.98	40	4.4	178.87	14.49	171.29	14.53	164.04	14.58	152.39	14.56	151.42	13.91	146.57	13.12	139.23	11.47	132.25	10.03	43	6.1	196.02	14.52	183.24	14.27	171.29	14.03	155.50	12.93	154.56	12.32	149.04	12.23	139.38	10.72	130.35	9.39	47	8.3	196.02	17.95	183.24	16.33	171.29	14.86	158.30	12.60	154.56	12.65	150.85	11.75	139.50	10.51	129.00	9.39	50	10	196.02	16.86	183.24	15.46	171.29	14.18	158.30	12.45	154.56	12.18	148.18	11.30	137.03	10.19	126.72	9.19	53	11.7	196.02	15.98	183.24	14.64	171.29	13.41	158.30	12.28	154.56	11.71	148.18	11.28	137.03	10.14	126.72	9.11	56	13.3	196.02	15.97	183.24	14.66	171.29	13.47	158.30	12.31	154.56	11.82	148.18	11.24	137.03	10.10	126.72	9.07	57	13.9	196.02	15.80	183.24	14.41	171.29	13.15	158.30	12.17	154.56	11.61	148.18	11.09	137.03	9.97	126.72	8.96	60	15.6	196.02	15.79	183.24	14.42	171.29	13.16	158.30	12.11	154.56	11.11	148.18	11.06	137.03	9.89	126.72	8.84

Combination	Outdoor Ambient Temperature °F DB °C DB		Indoor Ambient Temperature °F WB(°C WB)																							
			59(15)			64(17.8)			68(20)			70(21.1)			72(22.2)			74(23.3)			75(23.9)			80(26.7)		
			TC	PI	KW	TC	PI	KW	TC	PI	KW	TC	PI	KW	TC	PI	KW	TC	PI	KW	TC	PI	KW	TC	PI	KW
	-22	-30	58.22	16.11	54.43	15.31	50.88	14.57	47.09	12.89	45.91	13.49	44.27	13.13	41.40	12.48	38.72	11.88								
	-13	-25	118.39	25.73	110.67	25.11	103.45	24.51	92.81	24.68	93.35	23.56	90.01	23.18	84.18	22.53	78.73	21.90								
	-4	-20	137.80	25.05	128.81	24.44	120.41	23.86	107.89	24.63	108.65	22.93	104.77	22.57	97.98	21.93	91.63	21.32								
	-2.2	-19	139.74	24.40	130.62	23.81	122.11	23.24	108.26	22.07	110.18	22.33	106.24	21.98	99.36	21.36	92.92	20.77								
	4.1	-15.5	149.44	23.48	139.70	22.92	130.59	22.36	123.96	23.23	117.83	21.50	113.62	21.16	106.26	20.56	99.37	19.99								
	12	-11.1	151.38	19.77	141.51	19.30	132.28	18.83	126.25	11.86	119.36	18.10	115.10	17.82	107.64	17.32	100.67	16.83								
	13.1	-10.5	157.21	18.79	146.95	18.33	137.37	17.89	137.03	10.54	123.95	17.20	119.52	16.92	111.78	16.45	104.54	15.99								
	15	-9.4	106.89	11.61	106.89	12.12	106.89	12.66	109.29	13.17	106.89	13.48	106.89	13.76	106.89	14.30	106.89	14.86								
	18	-7.8	137.18	13.12	137.18	13.46	137.18	13.80	138.57	14.55	137.18	14.77	137.18	14.99	137.18	15.67	137.18	16.39								
	21	-6.1	138.71	13.32	138.39	13.91	138.07	14.53	140.11	15.12	138.07	15.37	138.71	15.54	138.71	15.89	138.71	16.24								
	24	-4.4	143.40	14.08	141.81	14.66	140.23	15.27	141.65	15.89	139.44	16.14	139.42	15.54	139.10	15.12	138.78	14.72								
	28	-2.2	157.41	13.94	150.98	14.56	144.82	15.21	144.73	15.76	141.74	15.97	141.67	15.05	139.74	13.74	137.83	12.54								
	32	0	162.66	14.88	159.50	15.26	156.40	15.65	147.81	15.65	145.56	15.43	142.71	14.13	138.62	12.52	134.64	11.09								
	40	4.4	177.10	14.63	169.60	14.68	162.41	14.73	150.88	14.71	149.92	14.05	145.12	13.25	137.85	11.59	130.94	10.13								
	43	6.1	194.08	14.66	181.42	14.41	169.59	14.17	154.36	13.06	153.03	12.44	147.56	12.35	138.00	10.82	129.06	9.49								
	47	8.3	194.08	18.13	181.42	16.50	169.59	15.01	156.74	12.73	153.03	12.78	149.36	11.87	138.11	10.61	127.72	9.49								
	50	10	194.08	17.03	181.42	15.62	169.59	14.32	156.74	12.57	153.03	12.30	146.72	11.42	135.67	10.29	125.46	9.28								
	53	11.7	194.08	16.14	181.42	14.78	169.59	13.54	156.74	12.40	153.03	11.83	146.72	11.40	135.67	10.24	125.46	9.20								
	56	13.3	194.08	16.13	181.42	14.81	169.59	13.60	156.74	12.43	153.03	11.93	146.72	11.35	135.67	10.20	125.46	9.16								
	57	13.9	194.08	15.96	181.42	14.56	169.59	13.28	156.74	12.30	153.03	11.73	146.72	11.21	135.67	10.07	125.46	9.05								
	60	15.6	194.08	15.95	181.42	14.56	169.59	13.30	156.74	12.23	153.03	11.22	146.72	11.17	135.67	9.99	125.46	8.93								

Combination	Outdoor Ambient Temperature		Indoor Ambient Temperature °F WB(°C WB)																								
			59(15)			64(17.8)			68(20)			70(21.1)			72(22.2)			74(23.3)			75(23.9)			80(26.7)			
			TC	PI	KW	TC	PI	KW	TC	PI	KW	TC	PI	KW	TC	PI	KW	TC	PI	KW	TC	PI	KW	TC	PI	KW	
	°F DB	°C DB	KBTU	KW	KBTU	KW	KBTU	KW	KBTU	KW	KBTU	KW	KBTU	KW	KBTU	KW	KBTU	KW	KBTU	KW	KBTU	KW	KBTU	KW	KBTU	KW	
	-22	-30	53.57	14.76	50.07	14.03	46.81	13.34	42.49	12.26	42.24	12.36	40.73	12.02	38.09	11.43	35.62	10.87									
	-13	-25	108.92	23.42	101.81	22.85	95.17	22.30	86.40	20.87	85.88	21.44	82.81	21.10	77.45	20.51	72.43	19.93									
	-4	-20	126.77	22.79	118.51	22.24	110.78	21.71	100.57	20.32	99.96	20.86	96.39	20.54	90.14	19.96	84.30	19.40									
	-2.2	-19	128.56	22.20	120.17	21.67	112.34	21.14	101.99	19.79	101.36	20.32	97.74	20.00	91.41	19.44	85.49	18.90									
	4.1	-15.5	137.49	21.37	128.52	20.85	120.14	20.35	109.07	19.05	108.40	19.56	104.53	19.25	97.76	18.71	91.42	18.19									
	12	-11.1	139.27	18.00	130.19	17.56	121.70	17.14	110.48	16.04	109.81	16.47	105.89	16.21	99.03	15.76	92.61	15.32									
	13.1	-10.5	144.63	17.10	135.20	16.68	126.38	16.28	114.73	15.24	114.04	15.65	109.96	15.40	102.84	14.97	96.17	14.55									
	15	-9.4	98.34	10.57	98.34	11.03	98.34	11.52	99.34	11.99	98.34	12.27	98.34	12.52	98.34	13.01	98.34	13.53									
	18	-7.8	126.21	11.94	126.21	12.24	126.21	12.56	127.48	13.24	126.21	13.44	126.21	13.64	126.21	14.26	126.21	14.92									
	21	-6.1	127.61	12.12	127.32	12.66	127.02	13.22	128.90	13.76	127.02	13.98	127.61	14.14	127.61	14.46	127.61	14.78									
	24	-4.4	131.93	12.81	130.46	13.34	129.01	13.90	130.32	14.46	128.29	14.69	128.27	14.14	127.97	13.76	127.68	13.40									
	28	-2.2	144.81	12.68	138.90	13.25	133.23	13.84	133.15	14.34	130.40	14.53	130.34	13.70	128.56	12.50	126.81	11.41									
	32	0	149.65	13.55	146.74	13.89	143.89	14.24	135.98	14.24	133.92	14.04	131.29	12.86	127.53	11.39	123.87	10.09									
	40	4.4	162.93	13.31	156.03	13.36	149.42	13.40	138.81	13.39	137.93	12.79	133.51	12.06	126.82	10.54	120.46	9.22									
	43	6.1	178.55	13.34	166.91	13.12	156.02	12.89	141.65	11.88	140.78	11.32	135.76	11.24	126.96	9.85	118.73	8.63									
	47	8.3	178.55	16.50	166.91	15.01	156.02	13.66	144.20	11.58	140.78	11.63	137.41	10.80	127.07	9.66	117.50	8.63									
	50	10	178.55	15.50	166.91	14.21	156.02	13.03	144.20	11.44	140.78	11.19	134.98	10.39	124.82	9.37	115.42	8.45									
	53	11.7	178.55	14.69	166.91	13.45	156.02	12.32	144.20	11.29	140.78	10.76	134.98	10.37	124.82	9.32	115.42	8.38									
	56	13.3	178.55	14.68	166.91	13.48	156.02	12.38	144.20	11.31	140.78	10.86	134.98	10.33	124.82	9.28	115.42	8.34									
	57	13.9	178.55	14.52	166.91	13.25	156.02	12.09	144.20	11.19	140.78	10.67	134.98	10.20	124.82	9.17	115.42	8.24									
	60	15.6	178.55	14.51	166.91	13.25	156.02	12.10	144.20	11.13	140.78	10.21	134.98	10.17	124.82	9.09	115.42	8.12									

Outdoor Ambient Temperature °F DB °C DB		Indoor Ambient Temperature °F WB(°C WB)																																																																																																																																																																																																																																																																																																																																																																																							
		59(15)			64(17.8)			68(20)			70(21.1)			72(22.2)			74(23.3)			75(23.9)			80(26.7)																																																																																																																																																																																																																																																																																																																																																																		
		TC	PI	KW	TC	PI	KW	TC	PI	KW	TC	PI	KW	TC	PI	KW	TC	PI	KW	TC	PI	KW	TC	PI	KW																																																																																																																																																																																																																																																																																																																																																																
-22	-30	47.16	12.59	44.09	11.96	41.21	11.36	37.41	10.44	37.19	10.51	35.86	10.22	33.53	9.71	31.36	9.23	-13	-25	95.90	18.97	89.64	18.51	83.79	18.07	76.07	16.91	75.61	17.36	72.91	17.09	68.19	16.61	63.77	16.14	-4	-20	111.62	18.46	104.34	18.02	97.53	17.58	88.54	16.46	88.01	16.90	84.86	16.63	79.36	16.17	74.22	15.71	-2.2	-19	113.19	17.98	105.81	17.55	98.91	17.13	89.79	16.03	89.24	16.46	86.06	16.20	80.48	15.75	75.27	15.31	4.1	-15.5	121.05	17.31	113.15	16.89	105.77	16.48	96.03	15.43	95.44	15.84	92.03	15.59	86.07	15.16	80.49	14.73	12	-11.1	122.62	14.58	114.62	14.22	107.15	13.88	97.27	12.99	96.68	13.34	93.23	13.13	87.19	12.76	81.54	12.41	13.1	-10.5	127.34	13.85	119.03	13.51	111.27	13.19	101.02	12.34	100.40	12.68	96.81	12.48	90.54	12.13	84.67	11.79	15	-9.4	86.58	8.56	86.58	8.94	86.58	9.33	87.46	9.71	86.58	9.94	86.58	10.14	86.58	10.54	86.58	10.96	18	-7.8	111.12	9.67	111.12	9.92	111.12	10.17	112.24	10.73	111.12	10.89	111.12	11.05	111.12	11.55	111.12	12.08	21	-6.1	112.35	9.82	112.09	10.26	111.83	10.71	113.49	11.15	111.83	11.33	112.35	11.45	112.35	11.71	112.35	11.97	24	-4.4	116.15	10.37	114.86	10.81	113.59	11.26	114.73	11.71	112.95	11.90	112.93	11.45	112.67	11.15	112.41	10.85	28	-2.2	127.50	10.27	122.30	10.73	117.30	11.21	117.23	11.62	114.81	11.77	114.75	11.09	113.19	10.13	111.64	9.24	32	0	131.75	10.97	129.20	11.25	126.69	11.54	119.72	11.54	117.91	11.38	115.59	10.41	112.28	9.23	109.06	8.18	40	4.4	143.45	10.78	137.37	10.82	131.55	10.86	122.22	10.84	121.43	10.36	117.55	9.77	111.66	8.54	106.06	7.47	43	6.1	157.21	10.81	146.95	10.62	137.37	10.44	124.71	9.63	123.95	9.17	119.52	9.10	111.78	7.98	104.54	6.99	47	8.3	157.21	13.36	146.95	12.16	137.37	11.06	126.96	9.38	123.95	9.42	120.98	8.75	111.87	7.82	103.45	6.99	50	10	157.21	12.55	146.95	11.51	137.37	10.55	126.96	9.27	123.95	9.07	118.84	8.42	109.89	7.59	101.62	6.84	53	11.7	157.21	11.90	146.95	10.90	137.37	9.98	126.96	9.14	123.95	8.72	118.84	8.40	109.89	7.55	101.62	6.78	56	13.3	157.21	11.89	146.95	10.92	137.37	10.03	126.96	9.16	123.95	8.80	118.84	8.37	109.89	7.52	101.62	6.75	57	13.9	157.21	11.76	146.95	10.73	137.37	9.79	126.96	9.06	123.95	8.65	118.84	8.26	109.89	7.42	101.62	6.67	60	15.6	157.21	11.75	146.95	10.73	137.37	9.80	126.96	9.02	123.95	8.27	118.84	8.24	109.89	7.36	101.62	6.58

Combination	Outdoor Ambient Temperature °C DB		Indoor Ambient Temperature °F WB(°C WB)																																																																																																																																																																																																																																																																																																																																							
			59(15)			64(17.8)			68(20)			70(21.1)			72(22.2)			74(23.3)			75(23.9)			80(26.7)																																																																																																																																																																																																																																																																																																																		
			TC	PI	KW	TC	PI	KW	TC	PI	KW	TC	PI	KW	TC	PI	KW	TC	PI	KW	TC	PI	KW	TC	PI	KW																																																																																																																																																																																																																																																																																																																
	-22	-30	40.76	11.27	38.10	10.72	35.61	10.20	32.33	9.37	32.14	9.45	30.99	9.19	28.98	8.74	27.10	8.31	82.87	18.01	77.47	17.58	72.42	17.16	65.74	16.06	63.01	16.23	58.93	15.77	55.11	15.33	96.46	17.53	90.17	17.11	84.29	16.70	76.52	15.63	73.34	15.80	68.59	15.35	64.14	14.92	97.82	17.08	91.44	16.67	85.47	16.27	77.60	15.22	74.37	15.39	69.55	14.95	65.05	14.54	104.61	16.44	97.79	16.04	91.41	15.66	82.99	14.65	79.54	14.81	74.38	14.39	69.56	13.99	105.97	13.84	99.06	13.51	92.60	13.18	84.06	12.34	83.55	12.67	80.57	12.47	75.35	12.12	70.47	11.78	110.04	13.15	102.87	12.83	96.16	12.52	87.30	11.72	86.77	12.04	83.67	11.85	78.25	11.52	73.18	11.19	74.83	8.13	74.83	8.49	74.83	8.86	75.58	9.23	74.83	9.44	74.83	9.63	74.83	10.01	74.83	10.40	96.03	9.18	96.03	9.42	96.03	9.66	97.00	10.19	96.03	10.34	96.03	10.49	96.03	10.97	96.03	11.48	97.09	9.33	96.87	9.74	96.65	10.17	98.08	10.59	96.65	10.76	97.09	10.88	97.09	11.12	97.09	11.37	100.38	9.85	99.26	10.26	98.16	10.69	99.15	11.12	97.61	11.30	97.60	10.88	97.37	10.59	97.15	10.31	110.18	9.76	105.69	10.19	101.37	10.65	101.31	11.03	99.22	11.18	99.17	10.53	97.82	9.62	96.48	8.78	113.86	10.42	111.65	10.68	109.48	10.96	103.46	10.96	101.89	10.80	99.90	9.89	97.03	8.76	94.25	7.76	123.97	10.24	118.72	10.28	113.69	10.31	105.62	10.30	104.94	9.84	101.58	9.27	96.49	8.11	91.66	7.09	135.86	10.26	127.00	10.09	118.71	9.92	107.77	9.14	107.12	8.71	103.29	8.64	96.60	7.58	90.34	6.64	135.86	12.69	127.00	11.55	118.71	10.51	109.71	8.91	107.12	8.95	104.55	8.31	96.68	7.43	89.40	6.64	135.86	11.92	127.00	10.93	118.71	10.02	109.71	8.80	107.12	8.61	102.70	7.99	94.97	7.21	87.82	6.50	135.86	11.30	127.00	10.35	118.71	9.48	109.71	8.68	107.12	8.28	102.70	7.98	94.97	7.17	87.82	6.44	135.86	11.29	127.00	10.37	118.71	9.52	109.71	8.70	107.12	8.35	102.70	7.95	94.97	7.14	87.82	6.41	135.86	11.17	127.00	10.19	118.71	9.30	109.71	8.61	107.12	8.21	102.70	7.84	94.97	7.05	87.82	6.34	135.86	11.16	127.00	10.19	118.71	9.31	109.71	8.56	107.12	7.85	102.70	7.82	94.97	6.99	87.82	6.25

Combination	Outdoor Ambient Temperature °F DB °C DB	Indoor Ambient Temperature °F WB(°C WB)																								
		59(15)			64(17.8)			68(20)			70(21.1)			72(22.2)			74(23.3)			75(23.9)			80(26.7)			
		TC	PI	KW	TC	PI	KW	TC	PI	KW	TC	PI	KW	TC	PI	KW	TC	PI	KW	TC	PI	KW	TC	PI	KW	
	-22	-30	36.68	10.08	34.29	9.59	32.05	9.12	29.10	8.38	28.92	8.44	27.89	8.21	26.08	7.81	24.39	7.43								
	-13	-25	74.59	15.96	69.72	15.57	65.17	15.20	59.17	14.22	58.81	14.61	56.71	14.37	53.03	13.97	49.60	13.58								
	-4	-20	86.81	15.53	81.15	15.16	75.86	14.79	68.87	13.84	68.45	14.22	66.00	13.99	61.73	13.60	57.73	13.22								
	-2.2	-19	88.03	15.13	82.29	14.76	76.93	14.41	69.84	13.48	69.41	13.85	66.93	13.63	62.60	13.25	58.54	12.87								
	4.1	-15.5	94.15	14.56	88.01	14.21	82.27	13.87	74.69	12.98	74.23	13.33	71.58	13.12	66.94	12.75	62.61	12.39								
	12	-11.1	95.37	12.26	89.15	11.96	83.34	11.68	75.66	10.93	75.20	11.22	72.51	11.05	67.81	10.74	63.42	10.44								
	13.1	-10.5	99.04	11.65	92.58	11.37	86.54	11.09	78.57	10.38	78.09	10.66	75.30	10.49	70.42	10.20	65.86	9.91								
	15	-9.4	67.34	7.20	67.34	7.52	67.34	7.85	68.02	8.17	67.34	8.36	67.34	8.53	67.34	8.87	67.34	9.22								
	18	-7.8	86.42	8.13	86.42	8.34	86.42	8.56	87.30	9.02	86.42	9.16	86.42	9.29	86.42	9.72	86.42	10.16								
	21	-6.1	87.39	8.26	87.18	8.63	86.98	9.01	88.27	9.38	86.98	9.53	87.38	9.63	87.38	9.85	87.38	10.07								
60%	24	-4.4	90.34	8.73	89.34	9.09	88.35	9.47	89.24	9.85	87.85	10.01	87.84	9.63	87.63	9.38	87.43	9.13								
	28	-2.2	99.17	8.64	95.12	9.03	91.24	9.43	91.18	9.77	89.30	9.90	89.25	9.33	88.03	8.52	86.83	7.77								
	32	0	102.48	9.23	100.49	9.46	98.53	9.71	93.12	9.71	91.71	9.57	89.91	8.76	87.33	7.76	84.83	6.88								
	40	4.4	111.57	9.07	106.85	9.10	102.32	9.13	95.06	9.12	94.45	8.71	91.42	8.21	86.84	7.18	82.49	6.28								
	43	6.1	122.27	9.09	114.30	8.94	106.84	8.79	97.00	8.10	96.41	7.71	92.96	7.66	86.94	6.71	81.31	5.88								
	47	8.3	122.27	11.24	114.30	10.23	106.84	9.31	98.74	7.89	96.41	7.92	94.09	7.36	87.01	6.58	80.46	5.88								
	50	10	122.27	10.56	114.30	9.68	106.84	8.88	98.74	7.79	96.41	7.63	92.43	7.08	85.47	6.38	79.04	5.75								
	53	11.7	122.27	10.01	114.30	9.17	106.84	8.40	98.74	7.69	96.41	7.33	92.43	7.07	85.47	6.35	79.04	5.71								
	56	13.3	122.27	10.00	114.30	9.18	106.84	8.43	98.74	7.71	96.41	7.40	92.43	7.04	85.47	6.32	79.04	5.68								
	57	13.9	122.27	9.89	114.30	9.03	106.84	8.23	98.74	7.62	96.41	7.27	92.43	6.95	85.47	6.24	79.04	5.61								
	60	15.6	122.27	9.89	114.30	9.03	106.84	8.24	98.74	7.58	96.41	6.96	92.43	6.93	85.47	6.19	79.04	5.53								

Combination	Outdoor Ambient Temperature °C DB	Indoor Ambient Temperature °F WB(°C WB)																								
		59(15)			64(17.8)			68(20)			70(21.1)			72(22.2)			74(23.3)			75(23.9)			80(26.7)			
		TC	PI	KW	TC	PI	KW	TC	PI	KW	TC	PI	KW	TC	PI	KW	TC	PI	KW	TC	PI	KW	TC	PI	KW	
	-22	-30	31.44	8.65	29.39	8.22	27.47	7.82	24.94	7.19	24.79	7.24	23.90	7.04	22.36	6.70	20.91	6.37								
	-13	-25	63.93	12.49	59.76	12.19	55.86	11.89	50.72	11.13	50.41	11.43	48.61	11.25	45.46	10.94	42.51	12.32								
	-4	-20	74.41	13.32	69.56	13.00	65.02	12.69	59.03	11.87	58.67	12.19	56.57	12.00	52.91	11.66	49.48	11.34								
	-2.2	-19	75.46	12.98	70.54	12.66	65.94	12.36	59.86	11.57	59.50	11.88	57.37	11.69	53.65	11.36	50.18	11.04								
	4.1	-15.5	80.70	12.49	75.44	12.19	70.52	11.89	64.02	11.13	63.63	11.43	61.36	11.25	57.38	10.94	53.66	10.63								
	12	-11.1	81.75	10.52	76.42	10.26	71.43	10.02	64.85	9.37	64.45	9.63	62.15	9.47	58.13	9.21	54.36	8.95								
	13.1	-10.5	84.89	9.99	79.35	9.75	74.18	9.52	67.34	8.91	66.93	9.15	64.54	9.00	60.36	8.75	56.45	8.50								
	15	-9.4	57.72	7.55	57.72	7.88	57.72	8.23	58.31	8.57	57.72	8.76	57.72	8.94	57.72	9.30	57.72	9.66								
	18	-7.8	74.08	8.53	74.08	8.75	74.08	8.97	74.83	9.46	74.08	9.60	74.08	9.74	74.08	10.19	74.08	10.66								
	21	-6.1	74.90	8.66	74.73	9.04	74.56	9.44	75.66	9.83	74.56	9.99	74.90	10.10	74.90	10.33	74.90	10.56								
50%	24	-4.4	77.44	9.15	76.58	9.53	75.72	9.93	76.49	10.33	75.30	10.49	75.29	10.10	75.11	9.83	74.94	9.57								
	28	-2.2	85.00	9.06	81.53	9.47	78.20	9.89	78.15	10.24	76.54	10.38	76.50	9.78	75.46	8.93	74.43	8.15								
	32	0	87.84	9.68	86.13	9.92	84.46	10.17	79.81	10.17	78.60	10.03	77.06	9.18	74.85	8.14	72.71	7.21								
	40	4.4	95.63	9.51	91.58	9.54	87.70	9.57	81.48	9.56	80.96	9.14	78.36	8.61	74.44	7.53	70.71	6.59								
	43	6.1	104.80	9.53	97.97	9.37	91.58	9.21	83.14	8.49	82.63	8.09	79.68	8.03	74.52	7.04	69.69	6.17								
	47	8.3	104.80	11.78	97.97	10.72	91.58	9.76	84.64	8.27	82.63	8.31	80.65	7.72	74.58	6.90	68.97	6.17								
	50	10	104.80	11.07	97.97	10.15	91.58	9.31	84.64	8.17	82.63	8.00	79.23	7.42	73.26	6.69	67.75	6.03								
	53	11.7	104.80	10.49	97.97	9.61	91.58	8.80	84.64	8.06	82.63	7.69	79.23	7.41	73.26	6.66	67.75	5.98								
	56	13.3	104.80	10.48	97.97	9.63	91.58	8.84	84.64	8.08	82.63	7.76	79.23	7.38	73.26	6.63	67.75	5.96								
	57	13.9	104.80	10.37	97.97	9.46	91.58	8.63	84.64	7.99	82.63	7.62	79.23	7.28	73.26	6.55	67.75	5.88								
	60	15.6	104.80	10.36	97.97	9.46	91.58	8.64	84.64	7.95	82.63	7.29	79.23	7.26	73.26	6.49	67.75	5.80								

Combination	Outdoor Ambient Temperature °F DB °C DB	Indoor Ambient Temperature °F WB(°C WB)																								
		59(15)			64(17.8)			68(20)			70(21.1)			72(22.2)			74(23.3)			75(23.9)			80(26.7)			
		TC	KBTU	PI	TC	KBTU	PI	TC	KBTU	PI	TC	KBTU	PI	TC	KBTU	PI	TC	KBTU	PI	TC	KBTU	PI	TC	KBTU	PI	
	-22	-30	70.78	18.94	18.00	66.16	18.00	61.84	17.10	56.15	15.71	55.80	15.82	53.81	15.38	50.32	14.62	47.06	13.90							
	-13	-25	143.91	28.67	27.98	134.52	27.98	125.75	27.31	114.16	25.56	113.47	26.24	109.42	25.83	102.33	25.11	95.70	24.40							
	-4	-20	167.50	27.91	156.58	27.23	146.37	26.58	132.88	24.87	132.07	25.54	127.35	25.14	119.10	24.44	111.38	23.75								
	-2.2	-19	169.86	27.18	158.78	26.53	148.43	25.89	134.75	24.23	133.93	24.88	129.15	24.49	120.78	23.80	112.95	23.13								
	4.1	-15.5	181.66	26.16	169.81	25.53	158.74	24.92	144.11	23.32	143.23	23.95	138.12	23.57	129.17	22.91	120.80	22.27								
	12	-11.1	184.02	22.03	172.02	21.50	160.80	20.98	145.98	19.64	145.09	20.17	139.91	19.85	130.84	19.29	122.37	18.75								
	13.1	-10.5	191.09	20.93	178.63	20.43	166.98	19.93	151.59	18.66	150.67	19.16	145.29	18.86	135.88	18.33	127.07	17.81								
	15	-9.4	129.94	12.94	129.94	13.51	129.94	14.10	131.25	14.68	129.94	15.02	129.94	15.33	129.94	15.93	129.94	16.56								
	18	-7.8	166.75	14.61	166.75	14.99	166.75	15.38	168.44	16.21	166.75	16.45	166.75	16.70	166.75	17.46	166.75	18.27								
	21	-6.1	168.61	14.84	168.22	15.50	167.83	16.19	170.31	16.85	167.83	17.12	168.61	17.31	168.61	17.70	168.61	18.10								
	24	-4.4	174.31	15.68	172.38	16.34	170.46	17.02	172.18	17.70	169.50	17.98	169.50	17.31	169.09	16.85	168.70	16.40								
	28	-2.2	191.34	15.53	183.53	16.22	176.04	16.95	175.92	17.56	172.29	17.79	172.21	16.77	169.86	15.30	167.54	13.97								
	32	0	197.72	16.58	193.89	17.01	190.12	17.44	179.67	17.44	176.94	17.19	173.47	15.74	168.50	13.95	163.67	12.36								
	40	4.4	215.27	16.30	206.16	16.36	197.42	16.41	183.41	16.39	182.24	15.66	176.40	14.76	167.56	12.91	159.17	11.29								
	43	6.1	235.92	16.34	220.53	16.06	206.15	15.79	187.15	14.55	186.01	13.86	179.37	13.76	167.75	12.06	156.88	10.57								
	47	8.3	235.92	20.20	220.53	18.38	206.15	16.72	190.52	14.18	186.01	14.24	181.55	13.23	167.89	11.82	155.25	10.57								
	50	10	235.92	18.97	220.53	17.40	206.15	15.95	190.52	14.01	186.01	13.70	178.34	12.72	164.92	11.47	152.51	10.34								
	53	11.7	235.92	17.98	220.53	16.47	206.15	15.09	190.52	13.82	186.01	13.18	178.34	12.70	164.92	11.41	152.51	10.25								
	56	13.3	235.92	17.97	220.53	16.50	206.15	15.15	190.52	13.85	186.01	13.30	178.34	12.65	164.92	11.36	152.51	10.21								
	57	13.9	235.92	17.78	220.53	16.22	206.15	14.80	190.52	13.70	186.01	13.07	178.34	12.48	164.92	11.22	152.51	10.09								
	60	15.6	235.92	17.76	220.53	16.22	206.15	14.81	190.52	13.63	186.01	12.50	178.34	12.45	164.92	11.13	152.51	9.95								

130%

Combination	Outdoor Ambient Temperature		Indoor Ambient Temperature °F WB(°C WB)																							
	°F DB	°C DB	59(15)			64(17.8)			68(20)			70(21.1)			72(22.2)			74(23.3)			75(23.9)			80(26.7)		
			TC	PI	KW	TC	PI	KW	TC	PI	KW	TC	PI	KW	TC	PI	KW	TC	PI	KW	TC	PI	KW	TC	PI	KW
	-22	-30	70.10	18.90	65.52	17.96	61.25	17.07	55.61	15.68	55.27	15.80	53.29	15.36	49.84	14.60	46.61	13.88								
	-13	-25	142.53	28.97	133.23	28.27	124.54	27.59	113.07	25.82	112.38	26.51	108.36	26.10	101.34	25.36	94.78	24.65								
	-4	-20	165.89	28.19	155.07	27.51	144.96	26.85	131.60	25.13	130.80	25.81	126.13	25.40	117.96	24.69	110.31	24.00								
	-2.2	-19	168.23	27.46	157.26	26.80	147.00	26.15	133.46	24.48	132.64	25.14	127.90	24.74	119.62	24.05	111.87	23.37								
	4.1	-15.5	179.91	26.43	168.18	25.79	157.21	25.17	142.72	23.56	141.85	24.19	136.79	23.81	127.92	23.14	119.64	22.50								
	12	-11.1	182.25	22.26	170.36	21.72	159.25	21.20	144.58	19.84	143.70	20.37	138.56	20.05	129.59	19.49	121.19	18.94								
	13.1	-10.5	189.26	21.15	176.91	20.64	165.38	20.14	150.14	18.85	149.22	19.36	143.89	19.05	134.57	18.52	125.85	18.00								
	15	-9.4	128.69	13.07	128.69	13.65	128.69	14.25	129.99	14.84	128.69	15.17	128.69	15.49	128.69	16.10	128.69	16.73								
	18	-7.8	165.15	14.76	165.15	15.14	165.15	15.54	166.82	16.38	165.15	16.62	165.15	16.87	165.15	17.64	165.15	18.45								
	21	-6.1	166.99	15.00	166.60	15.66	166.22	16.35	168.67	17.02	166.22	17.30	166.99	17.49	166.99	17.88	166.99	18.28								
	24	-4.4	172.64	15.84	170.72	16.50	168.82	17.19	170.53	17.88	167.87	18.17	167.85	17.49	167.46	17.02	167.07	16.57								
	28	-2.2	189.50	15.69	181.76	16.39	174.35	17.12	174.23	17.74	170.64	17.97	170.55	16.94	168.23	15.46	165.93	14.11								
	32	0	195.82	16.75	192.02	17.18	188.29	17.62	177.94	17.62	175.24	17.37	171.80	15.90	166.88	14.09	162.10	12.49								
	40	4.4	213.20	16.47	204.17	16.52	195.53	16.58	181.65	16.56	180.48	15.82	174.71	14.91	165.95	13.04	157.64	11.40								
	43	6.1	233.65	16.50	218.41	16.22	204.17	15.95	185.35	14.70	184.23	14.00	177.65	13.90	166.14	12.18	155.37	10.68								
	47	8.3	233.65	20.41	218.41	18.57	204.17	16.89	188.69	14.33	184.23	14.38	179.81	13.36	166.27	11.94	153.76	10.68								
	50	10	233.65	19.17	218.41	17.58	204.17	16.12	188.69	14.15	184.23	13.84	176.63	12.85	163.33	11.59	151.04	10.45								
	53	11.7	233.65	18.17	218.41	16.64	204.17	15.24	188.69	13.96	184.23	13.31	176.63	12.83	163.33	11.53	151.04	10.36								
	56	13.3	233.65	18.16	218.41	16.67	204.17	15.31	188.69	14.00	184.23	13.43	176.63	12.78	163.33	11.48	151.04	10.31								
	57	13.9	233.65	17.96	218.41	16.39	204.17	14.95	188.69	13.84	184.23	13.20	176.63	12.61	163.33	11.34	151.04	10.19								
	60	15.6	233.65	17.95	218.41	16.39	204.17	14.97	188.69	13.77	184.23	12.63	176.63	12.58	163.33	11.24	151.04	10.05								

Combination	Outdoor Ambient Temperature °F DB °C DB		Indoor Ambient Temperature °F WB(°C WB)																																																																																																																																																																																																																																																																																																																																																																																																												
			59(15)				64(17.8)				68(20)				70(21.1)				72(22.2)				74(23.3)				75(23.9)				80(26.7)																																																																																																																																																																																																																																																																																																																																																																																
			TC	PI	KW	KBTU	TC	PI	KW	KBTU	TC	PI	KW	KBTU	TC	PI	KW	KBTU	TC	PI	KW	KBTU	TC	PI	KW	KBTU	TC	PI	KW	KBTU	TC	PI	KW	KBTU																																																																																																																																																																																																																																																																																																																																																																													
	-22	-30	68.73	18.74	17.81	64.25	17.81	60.06	16.94	54.53	15.57	54.19	15.68	52.26	15.25	48.87	14.50	45.71	13.79	-13	-25	139.76	29.26	28.56	130.64	28.56	122.12	27.87	110.87	26.08	110.20	26.79	106.26	26.36	99.37	25.62	92.94	24.91	-4	-20	162.67	28.48	27.79	152.06	27.79	142.14	27.13	129.05	25.39	128.26	26.07	123.68	25.66	115.67	24.94	108.17	24.24	-2.2	-19	164.96	27.74	27.07	154.20	27.07	144.15	26.42	130.86	24.73	130.07	25.39	125.42	24.99	117.29	24.29	109.69	23.61	4.1	-15.5	176.42	26.70	26.06	164.91	26.06	154.16	25.43	139.95	23.80	139.10	24.44	134.13	24.06	125.44	23.38	117.31	22.73	12	-11.1	178.71	22.49	21.94	167.05	21.94	156.16	21.41	141.77	20.04	140.91	20.58	135.87	20.26	127.07	19.69	118.84	19.14	13.1	-10.5	185.58	21.36	20.85	173.48	20.85	162.16	20.34	147.22	19.04	146.33	19.55	141.10	19.24	131.96	18.70	123.41	18.18	15	-9.4	126.19	13.20	13.79	126.19	13.79	126.19	14.39	127.46	14.99	126.19	15.33	126.19	15.65	126.19	16.26	126.19	16.90	18	-7.8	161.94	14.91	15.30	161.94	15.30	161.94	15.69	163.58	16.55	161.94	16.79	161.94	17.04	161.94	17.82	161.94	18.64	21	-6.1	163.74	15.15	15.82	163.37	15.82	162.99	16.52	165.40	17.20	162.99	17.47	163.74	17.67	163.74	18.06	163.74	18.47	24	-4.4	169.28	16.00	16.67	167.40	16.67	165.54	17.37	167.21	18.06	164.61	18.35	164.59	17.67	164.21	17.20	163.83	16.74	28	-2.2	185.82	15.85	16.56	178.24	16.56	170.96	17.30	170.85	17.92	167.32	18.16	167.24	17.11	164.96	15.62	162.71	14.26	32	0	192.02	16.92	17.36	188.29	17.36	184.64	17.80	174.49	17.80	171.84	17.55	168.47	16.06	163.64	14.23	158.95	12.61	40	4.4	209.06	16.64	16.69	200.21	16.69	191.73	16.75	178.12	16.73	176.98	15.98	171.31	15.07	162.73	13.17	154.58	11.52	43	6.1	229.11	16.67	16.39	214.17	16.39	200.20	16.11	181.76	14.85	180.65	14.14	174.20	14.04	162.91	12.31	152.35	10.79	47	8.3	229.11	20.62	18.76	214.17	18.76	200.20	17.07	185.03	14.47	180.65	14.53	176.32	13.50	163.05	12.07	150.77	10.79	50	10	229.11	19.36	17.76	214.17	17.76	200.20	16.28	185.03	14.29	180.65	13.99	173.20	12.98	160.16	11.71	148.11	10.55	53	11.7	229.11	18.35	16.81	214.17	16.81	200.20	15.40	185.03	14.10	180.65	13.45	173.20	12.96	160.16	11.65	148.11	10.47	56	13.3	229.11	18.34	16.84	214.17	16.84	200.20	15.47	185.03	14.14	180.65	13.57	173.20	12.91	160.16	11.60	148.11	10.42	57	13.9	229.11	18.15	16.55	214.17	16.55	200.20	15.10	185.03	13.98	180.65	13.34	173.20	12.74	160.16	11.45	148.11	10.29	60	15.6	229.11	18.13	16.56	214.17	16.56	200.20	15.12	185.03	13.91	180.65	12.76	173.20	12.70	160.16	11.36	148.11	10.15

110%

Combination	Outdoor Ambient Temperature		Indoor Ambient Temperature °F WB(°C WB)																																																																																																																																																																																																																																																																																																																																																																																																								
			59(15)						64(17.8)						68(20)						70(21.1)						72(22.2)						74(23.3)						75(23.9)						80(26.7)																																																																																																																																																																																																																																																																																																																																																														
			TC	PI	KW	KBTU	TC	PI	KW	KBTU	TC	PI	KW	KBTU	TC	PI	KW	KBTU	TC	PI	KW	KBTU	TC	PI	KW	KBTU	TC	PI	KW	KBTU	TC	PI	KW	KBTU	TC	PI	KW	KBTU																																																																																																																																																																																																																																																																																																																																																																					
	°F DB	°C DB	-22	-30	18.70	63.62	17.78	59.47	16.90	55.26	15.39	53.66	15.66	51.74	15.23	48.39	14.48	45.25	13.77	-13	-25	29.56	129.35	28.84	120.91	28.15	108.33	22.68	109.10	27.06	105.21	26.63	98.39	25.88	92.02	25.16	-4	-20	28.77	150.56	28.08	140.74	27.40	126.65	21.84	126.99	26.33	122.45	25.92	114.52	25.19	107.10	24.49	-2.2	-19	28.02	163.33	28.02	152.68	27.35	142.72	26.69	127.27	21.69	128.78	25.65	124.18	25.25	116.13	24.54	108.61	23.85	4.1	-15.5	26.97	174.67	26.32	163.28	26.32	152.63	25.69	145.08	21.26	137.72	24.69	132.80	24.30	124.20	23.62	116.15	22.96	12	-11.1	22.71	176.94	22.17	165.40	22.17	154.61	21.63	143.69	19.09	139.51	20.79	134.53	20.46	125.81	19.89	117.66	19.33	13.1	-10.5	21.58	183.74	21.58	171.76	21.06	160.56	20.55	149.21	18.14	144.88	19.75	139.70	19.44	130.65	18.89	122.18	18.36	15	-9.4	13.34	124.94	13.34	124.94	13.92	124.94	14.54	122.15	13.50	124.94	15.48	124.94	15.80	124.94	16.43	124.94	17.07	18	-7.8	15.06	160.34	15.06	160.34	15.45	160.34	15.85	161.96	16.71	160.34	16.96	160.34	17.21	160.34	18.00	160.34	18.83	21	-6.1	15.30	162.12	15.30	161.75	15.98	161.38	16.69	163.76	17.37	161.38	17.65	162.12	17.84	162.12	18.25	162.12	18.66	24	-4.4	16.17	167.61	16.17	165.75	16.84	163.90	17.54	165.56	18.25	162.98	18.54	162.96	17.84	162.58	17.37	162.21	16.91	28	-2.2	16.01	183.98	16.01	176.47	16.72	169.27	17.47	169.16	18.10	165.67	18.34	165.59	17.29	163.33	15.78	161.10	14.40	32	0	17.10	190.12	17.10	186.43	17.53	182.81	17.98	172.76	17.98	170.14	17.72	166.80	16.23	162.02	14.38	157.37	12.74	40	4.4	16.80	206.99	16.80	198.23	16.86	189.83	16.92	176.36	16.90	175.23	16.14	169.62	15.22	161.12	13.31	153.04	11.64	43	6.1	16.84	226.84	16.84	212.05	16.56	198.22	16.27	184.21	14.55	178.86	14.29	172.47	14.18	161.30	12.43	150.85	10.90	47	8.3	20.82	226.84	20.82	212.05	18.95	198.22	17.24	183.20	14.49	178.86	14.68	174.57	13.64	161.43	12.19	149.28	10.89	50	10	19.56	226.84	19.56	212.05	17.94	198.22	16.45	183.20	14.44	178.86	14.13	171.48	13.11	158.58	11.82	146.64	10.66	53	11.7	18.54	226.84	18.54	212.05	16.98	198.22	15.55	183.20	14.24	178.86	13.58	171.48	13.09	158.58	11.76	146.64	10.57	56	13.3	18.53	226.84	18.53	212.05	17.01	198.22	15.62	183.20	14.28	178.86	13.71	171.48	13.04	158.58	11.71	146.64	10.52	57	13.9	18.33	226.84	18.33	212.05	16.72	198.22	15.25	183.20	14.12	178.86	13.47	171.48	12.87	158.58	11.57	146.64	10.40	60	15.6	18.31	226.84	18.31	212.05	16.72	198.22	15.27	183.20	14.05	178.86	12.89	171.48	12.83	158.58	11.47	146.64	10.25

Combination	Outdoor Ambient Temperature		Indoor Ambient Temperature °F WB(°C WB)																								
			59(15)			64(17.8)			68(20)			70(21.1)			72(22.2)			74(23.3)			75(23.9)			80(26.7)			
			TC	PI	KW	TC	PI	KW	TC	PI	KW	TC	PI	KW	TC	PI	KW	TC	PI	KW	TC	PI	KW	TC	PI	KW	
	°F DB	°C DB	KBTU	PI	KW	KBTU	PI	KW	KBTU	PI	KW	KBTU	PI	KW	KBTU	PI	KW	KBTU	PI	KW	KBTU	PI	KW	KBTU	PI	KW	
	-22	-30	62.61	17.13	58.53	16.28	54.71	15.48	49.67	14.23	49.37	14.34	47.60	13.95	44.52	13.26	41.63	12.61									
	-13	-25	127.31	26.90	119.00	26.25	111.24	25.62	100.99	23.97	100.38	24.62	96.79	24.23	90.52	23.55	84.65	22.89									
	-4	-20	148.17	26.18	138.51	25.55	129.48	24.93	117.55	23.34	116.83	23.96	112.66	23.59	105.36	22.92	98.53	22.28									
	-2.2	-19	150.26	25.50	140.46	24.89	131.30	24.29	119.20	22.73	118.48	23.34	114.25	22.97	106.84	22.33	99.92	21.70									
	4.1	-15.5	160.70	24.54	150.22	23.95	140.42	23.37	127.48	21.88	126.70	22.47	122.18	22.11	114.26	21.49	106.86	20.89									
	12	-11.1	162.78	20.67	152.17	20.17	142.24	19.68	129.14	18.42	128.35	18.92	123.77	18.62	115.75	18.10	108.25	17.59									
	13.1	-10.5	169.04	19.63	158.02	19.16	147.71	18.70	134.10	17.50	133.29	17.97	128.53	17.69	120.20	17.19	112.41	16.71									
	15	-9.4	114.95	12.14	114.95	12.67	114.95	13.23	116.11	13.78	114.95	14.09	114.95	14.38	114.95	14.95	114.95	15.53									
	18	-7.8	147.51	13.71	147.51	14.06	147.51	14.43	149.00	15.21	147.51	15.44	147.51	15.66	147.51	16.38	147.51	17.14									
	21	-6.1	149.15	13.92	148.81	14.54	148.47	15.19	150.66	15.81	148.47	16.06	149.15	16.24	149.15	16.60	149.15	16.98									
	24	-4.4	154.20	14.71	152.49	15.33	150.79	15.96	152.31	16.60	149.94	16.87	149.92	16.24	149.58	15.81	149.23	15.39									
	28	-2.2	169.26	14.57	162.35	15.22	155.73	15.90	155.63	16.47	152.41	16.69	152.34	15.73	150.26	14.36	148.21	13.10									
	32	0	174.91	15.56	171.51	15.95	168.18	16.36	158.94	16.36	156.53	16.13	153.46	14.77	149.06	13.08	144.78	11.59									
	40	4.4	190.43	15.29	182.37	15.34	174.64	15.40	162.25	15.38	161.21	14.69	156.05	13.85	148.23	12.11	140.80	10.59									
	43	6.1	208.70	15.33	195.09	15.07	182.36	14.81	165.56	13.65	164.55	13.00	158.67	12.91	148.39	11.31	138.78	9.92									
	47	8.3	208.70	18.95	195.09	17.24	182.36	15.69	168.54	13.30	164.55	13.36	160.61	12.41	148.52	11.09	137.34	9.91									
	50	10	208.70	17.80	195.09	16.32	182.36	14.97	168.54	13.14	164.55	12.86	157.77	11.93	145.89	10.76	134.91	9.70									
	53	11.7	208.70	16.87	195.09	15.45	182.36	14.15	168.54	12.96	164.55	12.36	157.77	11.91	145.89	10.70	134.91	9.62									
	56	13.3	208.70	16.86	195.09	15.48	182.36	14.22	168.54	13.00	164.55	12.47	157.77	11.87	145.89	10.66	134.91	9.58									
	57	13.9	208.70	16.68	195.09	15.22	182.36	13.88	168.54	12.85	164.55	12.26	157.77	11.71	145.89	10.53	134.91	9.46									
	60	15.6	208.70	16.67	195.09	15.22	182.36	13.90	168.54	12.79	164.55	11.73	157.77	11.68	145.89	10.44	134.91	9.33									

Combination	Outdoor Ambient Temperature		Indoor Ambient Temperature °F WB(°C WB)																																																																																																																																																																																																																																																																																																																																																																																								
			59(15)						64(17.8)						68(20)						70(21.1)						72(22.2)						74(23.3)						75(23.9)						80(26.7)																																																																																																																																																																																																																																																																																																																																														
			TC	PI	KW	KBTU	PI	TC	TC	PI	KW	KBTU	PI	TC	TC	PI	KW	KBTU	PI	TC	TC	PI	KW	KBTU	PI	TC	TC	PI	KW	KBTU	PI	TC	TC	PI	KW	KBTU	PI	TC																																																																																																																																																																																																																																																																																																																																																					
	°F DB	°C DB	-22	-30	14.62	51.53	13.89	48.17	13.19	43.73	12.12	43.46	12.20	41.91	11.86	39.19	11.27	36.66	10.71	-13	-25	112.08	21.79	104.77	21.26	97.94	20.75	88.92	19.42	88.37	19.94	85.22	19.63	79.70	19.08	74.53	18.54	-4	-20	130.46	21.21	121.95	20.69	114.00	20.20	103.49	18.90	102.86	19.41	99.19	19.10	92.76	18.57	86.75	18.05	-2.2	-19	132.30	20.65	123.67	20.16	115.60	19.67	104.95	18.41	104.31	18.91	100.59	18.61	94.07	18.09	87.97	17.58	4.1	-15.5	141.48	19.88	132.26	19.40	123.63	18.93	112.24	17.72	111.55	18.20	107.57	17.91	100.60	17.41	94.08	16.92	12	-11.1	143.32	16.74	133.97	16.34	125.24	15.94	113.70	14.92	113.00	15.32	108.97	15.08	101.91	14.66	95.30	14.25	13.1	-10.5	148.83	15.90	139.13	15.52	130.05	15.15	118.07	14.18	117.35	14.56	113.16	14.33	105.83	13.93	98.97	13.54	15	-9.4	101.20	9.83	101.20	10.26	101.20	10.72	102.22	11.16	101.20	11.41	101.20	11.65	101.20	12.11	101.20	12.58	18	-7.8	129.88	11.10	129.88	11.39	129.88	11.69	131.19	12.32	129.88	12.50	129.88	12.69	129.88	13.27	129.88	13.88	21	-6.1	131.32	11.28	131.02	11.78	130.71	12.30	132.65	12.80	130.71	13.01	131.32	13.15	131.32	13.45	131.32	13.75	24	-4.4	135.76	11.92	134.25	12.41	132.76	12.93	134.10	13.45	132.02	13.67	132.00	13.15	131.69	12.80	131.39	12.46	28	-2.2	149.02	11.80	142.94	12.33	137.11	12.88	137.02	13.34	134.19	13.52	134.12	12.74	132.30	11.63	130.49	10.61	32	0	154.00	12.60	151.01	12.92	148.07	13.25	139.93	13.25	137.81	13.07	135.11	11.96	131.24	10.60	127.47	9.39	40	4.4	167.67	12.39	160.56	12.43	153.76	12.47	142.85	12.45	141.93	11.90	137.39	11.22	130.51	9.81	123.97	8.58	43	6.1	183.74	12.41	171.76	12.20	160.56	12.00	145.76	11.06	144.88	10.53	139.70	10.45	130.65	9.16	122.18	8.03	47	8.3	183.74	15.35	171.76	13.97	160.56	12.71	148.39	10.78	144.88	10.82	141.40	10.05	130.76	8.98	120.92	8.03	50	10	183.74	14.42	171.76	13.22	160.56	12.12	148.39	10.64	144.88	10.41	138.90	9.67	128.45	8.72	118.78	7.86	53	11.7	183.74	13.67	171.76	12.52	160.56	11.46	148.39	10.50	144.88	10.01	138.90	9.65	128.45	8.67	118.78	7.79	56	13.3	183.74	13.66	171.76	12.54	160.56	11.52	148.39	10.53	144.88	10.10	138.90	9.61	128.45	8.63	118.78	7.76	57	13.9	183.74	13.51	171.76	12.33	160.56	11.24	148.39	10.41	144.88	9.93	138.90	9.49	128.45	8.53	118.78	7.66	60	15.6	183.74	13.50	171.76	12.33	160.56	11.26	148.39	10.36	144.88	9.50	138.90	9.46	128.45	8.46	118.78	7.56

Combination	Outdoor Ambient Temperature		Indoor Ambient Temperature °F WB(°C WB)																									
			59(15)			64(17.8)			68(20)			70(21.1)			72(22.2)			74(23.3)			75(23.9)			80(26.7)				
	°F DB	°C DB	TC	KBTU	PI	KW	TC	KBTU	PI	KW	TC	KBTU	PI	KW	TC	KBTU	PI	KW	TC	KBTU	PI	KW	TC	KBTU	PI	KW		
	-22	-30	47.64	13.09	44.53	12.44	41.63	11.83	37.79	10.88	37.56	10.96	36.22	10.66	33.87	10.14	31.68	9.64										
	-13	-25	96.86	20.69	90.55	20.19	84.64	19.70	76.84	18.44	76.37	18.94	73.65	18.64	68.87	18.12	64.41	17.61										
	-4	-20	112.74	20.14	105.39	19.65	98.52	19.18	89.44	17.95	88.89	18.43	85.72	18.14	80.16	17.63	74.97	17.14										
	-2.2	-19	114.33	19.62	106.87	19.14	99.90	18.68	90.70	17.48	90.15	17.96	86.93	17.67	81.29	17.18	76.03	16.69										
	4.1	-15.5	122.27	18.88	114.30	18.42	106.84	17.98	97.00	16.83	96.41	17.28	92.96	17.01	86.94	16.53	81.31	16.07										
	12	-11.1	123.86	15.90	115.78	15.52	108.23	15.14	98.26	14.17	97.66	14.55	94.17	14.32	88.07	13.92	82.36	13.53										
	13.1	-10.5	128.62	15.10	120.23	14.74	112.39	14.38	102.03	13.46	101.41	13.83	97.79	13.61	91.45	13.23	85.53	12.86										
	15	-9.4	87.46	9.34	87.46	9.75	87.46	10.18	88.34	10.60	87.46	10.84	87.46	11.06	87.46	11.50	87.46	11.95										
	18	-7.8	112.24	10.55	112.24	10.82	112.24	11.10	113.37	11.70	112.24	11.87	112.24	12.05	112.24	12.60	112.24	13.18										
	21	-6.1	113.49	10.71	113.22	11.19	112.96	11.68	114.63	12.16	112.96	12.35	113.49	12.49	113.49	12.77	113.49	13.06										
70%	24	-4.4	117.33	11.32	116.02	11.79	114.73	12.28	115.89	12.77	114.09	12.98	114.07	12.49	113.81	12.16	113.55	11.84										
	28	-2.2	128.79	11.21	123.53	11.71	118.49	12.23	118.41	12.67	115.97	12.84	115.91	12.10	114.33	11.04	112.77	10.08										
	32	0	133.08	11.97	130.50	12.27	127.97	12.59	120.93	12.59	119.10	12.41	116.76	11.36	113.41	10.06	110.16	8.92										
	40	4.4	144.90	11.76	138.76	11.80	132.88	11.84	123.45	11.83	122.66	11.30	118.73	10.65	112.78	9.32	107.13	8.15										
	43	6.1	158.79	11.79	148.44	11.59	138.75	11.39	125.97	10.50	125.20	10.00	120.73	9.93	112.91	8.70	105.59	7.63										
	47	8.3	158.79	14.58	148.44	13.26	138.75	12.07	128.24	10.23	125.20	10.27	122.20	9.55	113.00	8.53	104.50	7.63										
	50	10	158.79	13.69	148.44	12.55	138.75	11.51	128.24	10.11	125.20	9.89	120.04	9.18	111.00	8.28	102.65	7.46										
	53	11.7	158.79	12.98	148.44	11.89	138.75	10.89	128.24	9.97	125.20	9.51	120.04	9.16	111.00	8.23	102.65	7.40										
	56	13.3	158.79	12.97	148.44	11.91	138.75	10.94	128.24	10.00	125.20	9.60	120.04	9.13	111.00	8.20	102.65	7.37										
	57	13.9	158.79	12.83	148.44	11.70	138.75	10.68	128.24	9.89	125.20	9.43	120.04	9.01	111.00	8.10	102.65	7.28										
	60	15.6	158.79	12.82	148.44	11.71	138.75	10.69	128.24	9.83	125.20	9.02	120.04	8.98	111.00	8.03	102.65	7.18										

Combination	Outdoor Ambient Temperature		Indoor Ambient Temperature °F WB(°C WB)																									
			59(15)			64(17.8)			68(20)			70(21.1)			72(22.2)			74(23.3)			75(23.9)			80(26.7)				
			TC	PI	KW	TC	PI	KW	TC	PI	KW	TC	PI	KW	TC	PI	KW	TC	PI	KW	TC	PI	KW	TC	PI	KW		
	°F DB	°C DB	KBTU	PI	KW	KBTU	PI	KW	KBTU	PI	KW	KBTU	PI	KW	KBTU	PI	KW	KBTU	PI	KW	KBTU	PI	KW	KBTU	PI	KW		
	-22	-30	42.87	11.71	40.08	11.13	37.46	10.58	34.01	9.73	33.80	9.80	32.60	9.53	30.48	9.06	28.51	8.62										
	-13	-25	87.18	18.33	81.49	17.88	76.18	17.45	69.16	16.33	68.74	16.77	66.28	16.51	61.99	16.05	57.97	15.60										
	-4	-20	101.47	17.84	94.85	17.41	88.66	16.99	80.49	15.90	80.00	16.33	77.15	16.07	72.15	15.62	67.47	15.18										
	-2.2	-19	102.90	17.37	96.19	16.95	89.91	16.55	81.63	15.49	81.13	15.90	78.23	15.65	73.16	15.21	68.42	14.79										
	4.1	-15.5	110.04	16.72	102.87	16.32	96.16	15.93	87.30	14.91	86.76	15.31	83.67	15.06	78.24	14.64	73.17	14.23										
	12	-11.1	111.47	14.08	104.20	13.74	97.41	13.41	88.43	12.55	87.89	12.89	84.75	12.69	79.26	12.33	74.13	11.99										
	13.1	-10.5	115.76	13.38	108.21	13.06	101.15	12.74	91.83	11.92	91.27	12.25	88.01	12.05	82.31	11.71	76.98	11.39										
	15	-9.4	78.71	8.27	78.71	8.63	78.71	9.01	79.51	9.39	78.71	9.60	78.71	9.80	78.71	10.18	78.71	10.58										
	18	-7.8	101.01	9.34	101.01	9.58	101.01	9.83	102.03	10.36	101.01	10.52	101.01	10.67	101.01	11.16	101.01	11.67										
	21	-6.1	102.14	9.49	101.90	9.91	101.67	10.35	103.17	10.77	101.67	10.94	102.14	11.06	102.14	11.31	102.14	11.57										
	24	-4.4	105.59	10.02	104.42	10.44	103.26	10.88	104.30	11.31	102.68	11.49	102.67	11.06	102.43	10.77	102.19	10.48										
	28	-2.2	115.91	9.93	111.18	10.37	106.64	10.83	106.57	11.22	104.37	11.37	104.32	10.72	102.90	9.78	101.49	8.93										
	32	0	119.78	10.60	117.45	10.87	115.17	11.15	108.84	11.15	107.19	10.99	105.08	10.06	102.07	8.91	99.15	7.90										
	40	4.4	130.41	10.42	124.88	10.45	119.59	10.49	111.10	10.48	110.39	10.01	106.86	9.43	101.50	8.25	96.42	7.22										
	43	6.1	142.91	10.44	133.59	10.26	124.88	10.09	113.37	9.30	112.68	8.86	108.66	8.79	101.62	7.71	95.03	6.76										
	47	8.3	142.91	12.91	133.59	11.75	124.88	10.69	115.41	9.06	112.68	9.10	109.98	8.45	101.70	7.56	94.05	6.75										
	50	10	142.91	12.13	133.59	11.12	124.88	10.20	115.41	8.95	112.68	8.76	108.04	8.13	99.90	7.33	92.38	6.61										
	53	11.7	142.91	11.49	133.59	10.53	124.88	9.64	115.41	8.83	112.68	8.42	108.04	8.11	99.90	7.29	92.38	6.55										
	56	13.3	142.91	11.49	133.59	10.55	124.88	9.69	115.41	8.85	112.68	8.50	108.04	8.08	99.90	7.26	92.38	6.52										
	57	13.9	142.91	11.36	133.59	10.37	124.88	9.46	115.41	8.76	112.68	8.35	108.04	7.98	99.90	7.17	92.38	6.45										
	60	15.6	142.91	11.35	133.59	10.37	124.88	9.47	115.41	8.71	112.68	7.99	108.04	7.96	99.90	7.11	92.38	6.36										

Combination	Outdoor Ambient Temperature °F DB °C DB	Indoor Ambient Temperature °F WB(°C WB)																																							
		59(15)					64(17.8)					68(20)					70(21.1)					72(22.2)					74(23.3)					75(23.9)					80(26.7)				
		TC	PI	KBTU	kW	PI	TC	PI	KBTU	kW	PI	TC	PI	KBTU	kW	PI	TC	PI	KBTU	kW	PI	TC	PI	KBTU	kW	PI	TC	PI	KBTU	kW	PI	TC	PI	KBTU	kW	PI					
	-22	-30	36.75	10.89	34.35	10.37	32.11	9.88	29.15	9.10	28.98	9.18	27.94	8.94	26.13	8.51	24.44	8.11																							
	-13	-25	74.72	19.21	69.85	18.75	65.29	18.30	59.28	17.12	58.92	17.59	56.81	17.31	53.13	16.82	49.69	16.35																							
	-4	-20	86.97	18.70	81.30	18.25	76.00	17.81	69.00	16.67	68.57	17.12	66.13	16.85	61.84	16.37	57.83	15.92																							
	-2.2	-19	88.20	18.21	82.45	17.78	77.07	17.35	69.97	16.24	69.54	16.67	67.06	16.41	62.71	15.95	58.65	15.50																							
	4.1	-15.5	94.32	17.53	88.17	17.11	82.42	16.70	74.83	15.63	74.37	16.05	71.71	15.79	67.07	15.35	62.72	14.92																							
	12	-11.1	95.55	14.76	89.32	14.41	83.49	14.06	75.80	13.16	75.34	13.51	72.64	13.30	67.94	12.93	63.54	12.57																							
	13.1	-10.5	99.22	14.02	92.75	13.69	86.70	13.36	78.71	12.50	78.23	12.84	75.44	12.64	70.55	12.28	65.98	11.94																							
	15	-9.4	67.47	8.67	67.47	9.05	67.47	9.45	68.15	9.84	67.47	10.06	67.47	10.27	67.47	10.68	67.47	11.10																							
	18	-7.8	86.58	9.79	86.58	10.05	86.58	10.30	87.46	10.86	86.58	11.03	86.58	11.19	86.58	11.70	86.58	12.24																							
	21	-6.1	87.55	9.95	87.34	10.39	87.14	10.85	88.43	11.29	87.14	11.47	87.55	11.60	87.55	11.86	87.55	12.13																							
50%	24	-4.4	90.51	10.51	89.50	10.95	88.51	11.40	89.40	11.86	88.01	12.05	88.00	11.60	87.80	11.29	87.59	10.99																							
	28	-2.2	99.35	10.41	95.29	10.87	91.40	11.36	91.35	11.77	89.46	11.92	89.42	11.24	88.20	10.26	86.99	9.36																							
	32	0	102.66	11.11	100.67	11.40	98.72	11.69	93.29	11.69	91.87	11.52	90.07	10.55	87.49	9.35	84.98	8.28																							
	40	4.4	111.78	10.92	107.04	10.96	102.51	11.00	95.23	10.98	94.62	10.49	91.59	9.89	87.00	8.65	82.64	7.56																							
	43	6.1	122.50	10.95	114.51	10.76	107.04	10.58	97.18	9.75	96.58	9.29	93.13	9.22	87.10	8.08	81.46	7.08																							
	47	8.3	122.50	13.54	114.51	12.32	107.04	11.21	98.93	9.50	96.58	9.54	94.27	8.86	87.17	7.92	80.61	7.08																							
	50	10	122.50	12.71	114.51	11.66	107.04	10.69	98.93	9.39	96.58	9.18	92.60	8.52	85.63	7.69	79.19	6.93																							
	53	11.7	122.50	12.05	114.51	11.04	107.04	10.11	98.93	9.26	96.58	8.83	92.60	8.51	85.63	7.65	79.19	6.87																							
	56	13.3	122.50	12.04	114.51	11.06	107.04	10.15	98.93	9.28	96.58	8.91	92.60	8.48	85.63	7.61	79.19	6.84																							
	57	13.9	122.50	11.91	114.51	10.87	107.04	9.91	98.93	9.18	96.58	8.76	92.60	8.37	85.63	7.52	79.19	6.76																							
	60	15.6	122.50	11.90	114.51	10.87	107.04	9.93	98.93	9.13	96.58	8.38	92.60	8.34	85.63	7.46	79.19	6.66																							

MVHQ192ME4CA
460v heating capacity

Combination	Outdoor Ambient Temperature °C DB	Indoor Ambient Temperature °F WB(°C WB)																								
		59(15)			64(17.8)			68(20)			70(21.1)			72(22.2)			74(23.3)			75(23.9)			80(26.7)			
		TC	PI	KW	TC	PI	KW	TC	PI	KW	TC	PI	KW	TC	PI	KW	TC	PI	KW	TC	PI	KW	TC	PI	KW	
	-22	80.66	21.45	75.40	20.37	70.48	19.36	63.99	17.78	63.60	17.91	61.32	17.41	57.35	16.54	53.63	15.72									
	-13	164.00	32.11	153.31	31.34	143.31	30.58	130.10	28.62	129.31	29.39	124.69	28.93	116.61	28.12	109.06	27.33									
	-4	190.89	31.25	178.44	30.50	166.80	29.77	151.43	27.86	150.51	28.61	145.13	28.16	135.73	27.37	126.94	26.60									
	-2.2	193.58	30.44	180.95	29.71	169.15	28.99	153.57	27.14	152.63	27.87	147.18	27.43	137.64	26.66	128.72	25.91									
	4.1	207.02	29.30	193.52	28.60	180.90	27.91	164.23	26.12	163.23	26.82	157.40	26.40	147.20	25.66	137.66	24.94									
	12	209.71	24.67	196.03	24.08	183.25	23.50	166.36	21.99	165.35	22.59	159.44	22.23	149.11	21.61	139.45	21.00									
	13.1	217.78	23.44	203.57	22.88	190.30	22.32	172.76	20.89	171.71	21.46	165.58	21.12	154.85	20.53	144.81	19.95									
	15	218.05	17.39	209.15	18.17	200.62	18.98	191.96	18.16	190.04	18.43	180.04	18.70	192.15	19.39	192.15	20.27									
	18	190.04	16.37	190.04	16.79	190.04	17.22	191.96	18.16	190.04	18.43	190.04	18.70	192.15	19.39	192.15	20.27									
	21	192.15	16.62	191.71	17.36	191.26	18.13	194.09	18.87	191.26	19.17	192.15	19.39	192.15	19.82	192.15	20.27									
	24	198.65	17.56	196.44	18.30	194.26	19.06	196.22	19.82	193.17	20.14	193.14	19.39	192.70	18.87	192.25	18.37									
	28	218.05	17.39	209.15	18.17	200.62	18.98	200.49	19.66	196.35	19.93	196.25	18.78	193.58	17.14	190.94	15.64									
	32	225.33	18.57	220.96	19.05	216.67	19.53	204.75	19.53	201.65	19.26	197.69	17.63	192.03	15.62	186.52	13.84									
	40	245.33	18.26	234.94	18.32	224.99	18.38	209.02	18.36	207.68	17.54	201.03	16.53	190.96	14.46	181.39	12.64									
	43	268.86	18.30	251.32	17.99	234.93	17.68	213.29	16.30	211.99	15.52	204.41	15.41	191.17	13.51	178.78	11.84									
	47	268.86	22.62	251.32	20.58	234.93	18.73	217.12	15.88	211.99	15.95	206.90	14.81	191.33	13.24	176.93	11.84									
	50	268.86	21.25	251.32	19.48	234.93	17.87	217.12	15.69	211.99	15.35	203.24	14.25	187.95	12.85	173.80	11.58									
	53	268.86	20.14	251.32	18.45	234.93	16.90	217.12	15.47	211.99	14.76	203.24	14.22	187.95	12.78	173.80	11.48									
	56	268.86	20.13	251.32	18.48	234.93	16.97	217.12	15.51	211.99	14.89	203.24	14.17	187.95	12.73	173.80	11.43									
	57	268.86	19.91	251.32	18.17	234.93	16.57	217.12	15.34	211.99	14.64	203.24	13.98	187.95	12.57	173.80	11.30									
	60	268.86	19.90	251.32	18.17	234.93	16.59	217.12	15.26	211.99	14.00	203.24	13.94	187.95	12.46	173.80	11.14									

130%

Combination	Outdoor Ambient Temperature		Indoor Ambient Temperature °F WB(°CWB)																																																																																																																																																																																																																																																																																																																																															
			59(15)						64(17.8)						68(20)						70(21.1)						72(22.2)						74(23.3)						75(23.9)						80(26.7)																																																																																																																																																																																																																																																																																																					
			TC	PI	KW	KBTU	°C	DB	TC	PI	KW	KBTU	°C	DB	TC	PI	KW	KBTU	°C	DB	TC	PI	KW	KBTU	°C	DB	TC	PI	KW	KBTU	°C	DB	TC	PI	KW	KBTU	°C	DB	TC	PI	KW	KBTU	°C	DB																																																																																																																																																																																																																																																																																																						
	-22	-30	79.88	21.40	74.67	20.33	69.80	19.32	63.37	17.75	62.98	17.88	60.73	17.38	56.80	16.52	53.12	15.70	162.43	32.44	151.83	31.66	141.93	30.90	128.85	28.92	128.07	29.70	123.49	29.23	115.49	28.41	108.01	27.61	189.05	31.58	176.72	30.82	165.20	30.07	149.98	28.15	149.06	28.90	143.74	28.45	134.43	27.65	125.72	26.88	191.72	30.76	179.21	30.02	167.53	29.29	152.09	27.42	151.16	28.15	145.76	27.71	136.32	26.93	127.49	26.18	205.03	29.60	191.66	28.89	179.16	28.19	162.65	26.39	161.66	27.10	155.89	26.67	145.79	25.92	136.34	25.20	207.69	24.93	194.15	24.33	181.49	23.74	164.76	22.22	163.76	22.82	157.91	22.46	147.68	21.83	138.11	21.22	215.68	23.68	201.61	23.11	188.47	22.55	171.10	21.11	170.06	21.68	163.98	21.34	153.36	20.74	143.42	20.16	146.66	14.64	146.66	15.28	146.66	15.96	148.14	16.62	146.66	17.00	146.66	17.35	146.66	18.03	146.66	18.74	188.21	16.54	188.21	16.96	188.21	17.40	190.11	18.34	188.21	18.62	188.21	18.89	188.21	19.76	188.21	20.67	190.30	16.80	189.86	17.54	189.42	18.32	192.22	19.07	189.42	19.37	190.30	19.59	190.30	20.03	190.30	20.48	196.74	17.74	194.55	18.48	192.39	19.26	194.34	20.03	191.31	20.35	191.29	19.59	190.84	19.07	190.40	18.56	215.96	17.57	207.14	18.36	198.69	19.18	198.56	19.87	194.46	20.13	194.37	18.97	191.72	17.32	189.10	15.81	223.16	18.76	218.83	19.24	214.58	19.73	202.78	19.73	199.71	19.45	195.79	17.81	190.18	15.78	184.73	13.98	242.97	18.44	232.68	18.51	222.83	18.57	207.01	18.55	205.68	17.72	199.10	16.70	189.12	14.61	179.65	12.77	266.27	18.48	248.91	18.17	232.67	17.86	211.23	16.46	209.95	15.68	202.45	15.57	189.33	13.65	177.06	11.96	266.27	22.86	248.91	20.80	232.67	18.92	215.04	16.05	209.95	16.11	204.91	14.97	189.49	13.38	175.23	11.96	266.27	21.47	248.91	19.69	232.67	18.05	215.04	15.85	209.95	15.51	201.29	14.39	186.14	12.98	172.13	11.70	266.27	20.35	248.91	18.64	232.67	17.07	215.04	15.63	209.95	14.91	201.29	14.37	186.14	12.91	172.13	11.60	266.27	20.33	248.91	18.67	232.67	17.15	215.04	15.67	209.95	15.05	201.29	14.31	186.14	12.86	172.13	11.55	266.27	20.12	248.91	18.35	232.67	16.74	215.04	15.50	209.95	14.79	201.29	14.13	186.14	12.70	172.13	11.41	266.27	20.10	248.91	18.36	232.67	16.76	215.04	15.42	209.95	14.15	201.29	14.09	186.14	12.59	172.13	11.25

120%

Combination	Outdoor Ambient Temperature		Indoor Ambient Temperature °F WB(°C WB)																								
			59(15)			64(17.8)			68(20)			70(21.1)			72(22.2)			74(23.3)			75(23.9)			80(26.7)			
			TC	PI	KW	TC	PI	KW	TC	PI	KW	TC	PI	KW	TC	PI	KW	TC	PI	KW	TC	PI	KW	TC	PI	KW	
	°F DB	°C DB	KBTU	PI	KW	KBTU	PI	KW	KBTU	PI	KW	KBTU	PI	KW	KBTU	PI	KW	KBTU	PI	KW	KBTU	PI	KW	KBTU	PI	KW	
	-22	-30	78.33	21.22	20.16	68.45	19.17	62.14	17.62	61.76	17.74	59.56	17.25	55.70	16.40	52.09	15.59										
	-13	-25	159.27	32.77	148.89	31.98	139.18	31.21	126.35	29.21	125.58	30.00	121.10	29.53	113.25	28.70	105.91	27.89									
	-4	-20	185.38	31.90	173.29	31.13	161.99	30.38	147.06	28.43	146.17	29.20	140.95	28.74	131.82	27.93	123.27	27.15									
	-2.2	-19	187.99	31.07	175.73	30.32	164.27	29.59	149.14	27.69	148.23	28.44	142.93	27.99	133.67	27.21	125.01	26.44									
	4.1	-15.5	201.05	29.91	187.94	29.18	175.68	28.48	159.49	26.66	158.52	27.37	152.86	26.94	142.95	26.19	133.69	25.45									
	12	-11.1	203.66	25.18	190.38	24.58	177.96	23.98	161.56	22.45	160.58	23.05	154.84	22.69	144.81	22.05	135.43	21.43									
	13.1	-10.5	211.49	23.92	197.70	23.35	184.81	22.79	167.78	21.33	166.76	21.90	160.80	21.55	150.38	20.95	140.64	20.36									
	15	-9.4	143.81	14.79	143.81	15.44	143.81	16.12	145.26	16.78	143.81	17.17	143.81	17.52	143.81	18.21	143.81	18.93									
	18	-7.8	184.56	16.70	184.56	17.14	184.56	17.58	186.42	18.53	184.56	18.81	184.56	19.09	184.56	19.96	184.56	20.88									
	21	-6.1	186.61	16.97	186.18	17.72	185.75	18.50	188.49	19.26	185.75	19.57	186.61	19.79	186.61	20.23	186.61	20.69									
	24	-4.4	192.92	17.93	190.78	18.67	188.66	19.45	190.56	20.23	187.60	20.56	187.57	19.79	187.14	19.26	186.70	18.75									
	28	-2.2	211.76	17.75	203.12	18.54	194.83	19.37	194.70	20.07	190.68	20.34	190.59	19.17	187.99	17.49	185.43	15.97									
	32	0	218.83	18.96	214.58	19.44	210.42	19.93	198.85	19.93	195.83	19.65	191.99	17.99	186.49	15.94	181.14	14.13									
	40	4.4	238.25	18.63	228.16	18.70	218.50	18.76	202.99	18.73	201.69	17.90	195.23	16.87	185.45	14.76	176.16	12.90									
	43	6.1	261.10	18.67	244.07	18.36	228.16	18.04	207.13	16.63	205.87	15.84	198.52	15.73	185.65	13.78	173.63	12.08									
	47	8.3	261.10	23.09	244.07	21.01	228.16	19.12	210.86	16.21	205.87	16.28	200.93	15.12	185.81	13.51	171.82	12.08									
	50	10	261.10	21.69	244.07	19.89	228.16	18.24	210.86	16.01	205.87	15.66	197.38	14.54	182.53	13.11	168.79	11.82									
	53	11.7	261.10	20.56	244.07	18.83	228.16	17.24	210.86	15.79	205.87	15.06	197.38	14.51	182.53	13.04	168.79	11.72									
	56	13.3	261.10	20.54	244.07	18.86	228.16	17.32	210.86	15.83	205.87	15.20	197.38	14.46	182.53	12.99	168.79	11.67									
	57	13.9	261.10	20.32	244.07	18.54	228.16	16.91	210.86	15.66	205.87	14.94	197.38	14.27	182.53	12.83	168.79	11.53									
	60	15.6	261.10	20.31	244.07	18.54	228.16	16.93	210.86	15.58	205.87	14.29	197.38	14.23	182.53	12.72	168.79	11.37									

Combination	Outdoor Ambient Temperature		Indoor Ambient Temperature °F WB(°C WB)																																																																																																																																																																																																																																																																																																																																																																																									
			59(15)						64(17.8)						70(21.1)						72(22.2)						74(23.3)						75(23.9)						80(26.7)																																																																																																																																																																																																																																																																																																																																																					
			TC	PI	KBTU	KW	TC	PI	KBTU	KW	TC	PI	KBTU	KW	TC	PI	KBTU	KW	TC	PI	KBTU	KW	TC	PI	KBTU	KW	TC	PI	KBTU	KW	TC	PI	KBTU	KW																																																																																																																																																																																																																																																																																																																																																										
	°F DB	°C DB	-22	-30	77.56	21.17	72.50	20.12	67.77	19.13	62.35	17.36	61.15	17.71	58.97	17.23	55.15	16.38	51.57	15.58	-13	-25	157.70	33.10	147.41	32.31	137.80	31.53	123.86	25.93	124.34	30.30	119.90	29.82	112.13	28.99	104.86	28.18	-4	-20	183.55	32.22	171.58	31.44	160.39	30.69	144.40	24.89	144.72	29.49	139.55	29.03	130.51	28.21	122.05	27.42	-2.2	-19	186.13	31.38	173.99	30.63	162.65	29.89	144.81	24.67	146.76	28.73	141.52	28.27	132.35	27.48	123.77	26.71	4.1	-15.5	199.06	30.21	186.08	29.48	173.94	28.77	165.21	24.21	156.95	27.65	151.35	27.21	141.54	26.45	132.37	25.71	12	-11.1	201.64	25.44	188.49	24.82	176.20	24.23	131.24	15.26	158.99	23.29	153.31	22.92	143.38	22.27	134.09	21.65	13.1	-10.5	209.40	24.17	195.74	23.58	182.98	23.02	133.29	13.56	165.10	22.12	159.21	21.77	148.89	21.16	139.24	20.57	15	-9.4	142.39	14.94	142.39	15.60	142.39	16.28	138.42	15.12	142.39	17.34	142.39	17.70	142.39	18.40	142.39	19.12	18	-7.8	182.73	16.87	182.73	17.31	182.73	17.76	184.57	18.72	182.73	19.00	182.73	19.28	182.73	20.16	182.73	21.09	21	-6.1	184.76	17.14	184.33	17.90	183.91	18.69	186.62	19.45	183.91	19.77	184.76	19.99	184.76	20.44	184.76	20.90	24	-4.4	191.01	18.11	188.89	18.86	186.79	19.65	188.68	20.44	185.74	20.77	185.71	19.99	185.28	19.45	184.85	18.94	28	-2.2	209.67	17.93	201.11	18.73	192.90	19.57	192.78	20.27	188.80	20.54	188.70	19.36	186.13	17.67	183.59	16.13	32	0	216.66	19.15	212.46	19.64	208.33	20.14	196.88	20.14	193.89	19.85	190.09	18.17	184.64	16.10	179.35	14.27	40	4.4	235.90	18.82	225.90	18.89	216.34	18.95	200.98	18.92	199.69	18.08	193.30	17.04	183.61	14.90	174.41	13.03	43	6.1	258.52	18.86	241.66	18.54	225.90	18.23	207.82	16.80	203.83	16.00	196.55	15.89	183.82	13.92	171.91	12.20	47	8.3	258.52	23.32	241.66	21.22	225.90	19.31	208.77	16.38	203.83	16.44	198.95	15.27	183.97	13.65	170.12	12.20	50	10	258.52	21.91	241.66	20.09	225.90	18.42	208.77	16.17	203.83	15.82	195.43	14.69	180.72	13.24	167.12	11.94	53	11.7	258.52	20.76	241.66	19.02	225.90	17.42	208.77	15.95	203.83	15.21	195.43	14.66	180.72	13.17	167.12	11.84	56	13.3	258.52	20.75	241.66	19.05	225.90	17.50	208.77	15.99	203.83	15.35	195.43	14.60	180.72	13.12	167.12	11.79	57	13.9	258.52	20.53	241.66	18.73	225.90	17.08	208.77	15.82	203.83	15.09	195.43	14.41	180.72	12.96	167.12	11.65	60	15.6	258.52	20.51	241.66	18.73	225.90	17.10	208.77	15.74	203.83	14.43	195.43	14.37	180.72	12.85	167.12	11.48

100%

Combination	Outdoor Ambient Temperature		Indoor Ambient Temperature °F WB(°C WB)																																																																																																																																																																																																																																																																																																																																																																																					
			59(15)				64(17.8)				68(20)				70(21.1)				72(22.2)				74(23.3)				75(23.9)				80(26.7)																																																																																																																																																																																																																																																																																																																																																									
			TC	PI	KBTU	KW	TC	PI	KBTU	KW	TC	PI	KBTU	KW	TC	PI	KBTU	KW	TC	PI	KBTU	KW	TC	PI	KBTU	KW	TC	PI	KBTU	KW	TC	PI	KBTU	KW																																																																																																																																																																																																																																																																																																																																																						
	°F DB	°C DB	-22	-30	19.39	17.52	66.70	18.43	62.35	17.52	56.60	16.10	56.26	16.22	54.25	15.78	50.73	15.00	47.45	14.26	-13	-25	30.12	28.69	115.09	26.85	114.39	27.58	110.31	27.14	103.16	26.38	96.47	25.64	-4	-20	168.86	29.32	157.85	28.61	147.56	27.93	133.96	26.14	133.14	26.84	128.39	26.42	120.07	25.68	112.29	24.96	-2.2	-19	171.24	28.56	160.07	27.87	149.63	27.20	135.85	25.46	135.02	26.14	130.20	25.73	121.76	25.01	113.87	24.31	4.1	-15.5	183.13	27.49	171.19	26.83	160.03	26.18	145.28	24.50	144.40	25.16	139.24	24.76	130.22	24.07	121.78	23.40	12	-11.1	185.51	23.15	173.41	22.59	162.10	22.05	147.17	20.63	146.27	21.19	141.05	20.85	131.91	20.27	123.36	19.70	13.1	-10.5	192.65	21.99	180.08	21.46	168.34	20.94	152.83	19.60	151.90	20.13	146.47	19.81	136.98	19.26	128.10	18.72	15	-9.4	130.99	13.59	130.99	14.19	130.99	14.82	132.32	15.43	130.99	15.78	130.99	16.11	130.99	16.74	130.99	17.40	18	-7.8	168.11	15.35	168.11	15.75	168.11	16.16	169.81	17.03	168.11	17.29	168.11	17.54	168.11	18.35	168.11	19.19	21	-6.1	169.98	15.60	169.59	16.29	169.20	17.01	171.69	17.70	169.20	17.99	169.98	18.19	169.98	18.60	169.98	19.01	24	-4.4	175.73	16.48	173.78	17.16	171.85	17.88	173.58	18.60	170.88	18.90	170.86	18.19	170.46	17.70	170.07	17.23	28	-2.2	192.89	16.32	185.02	17.05	177.47	17.81	177.35	18.45	173.69	18.69	173.61	17.62	171.24	16.08	168.91	14.68	32	0	199.33	17.42	195.46	17.87	191.67	18.32	181.13	18.32	178.38	18.07	174.88	16.54	169.87	14.65	165.00	12.98	40	4.4	217.02	17.13	207.83	17.19	199.03	17.24	184.90	17.22	183.72	16.45	177.84	15.51	168.93	13.56	160.46	11.86	43	6.1	237.84	17.16	222.32	16.87	207.83	16.59	188.68	15.29	187.53	14.56	180.83	14.46	169.11	12.67	158.15	11.11	47	8.3	237.84	21.22	222.32	19.31	207.83	17.57	192.07	14.90	187.53	14.96	183.03	13.90	169.25	12.42	156.51	11.10	50	10	237.84	19.94	222.32	18.28	207.83	16.76	192.07	14.72	187.53	14.40	179.79	13.36	166.26	12.05	153.75	10.87	53	11.7	237.84	18.90	222.32	17.31	207.83	15.85	192.07	14.52	187.53	13.85	179.79	13.34	166.26	11.99	153.75	10.77	56	13.3	237.84	18.88	222.32	17.34	207.83	15.92	192.07	14.55	187.53	13.97	179.79	13.29	166.26	11.94	153.75	10.73	57	13.9	237.84	18.68	222.32	17.04	207.83	15.55	192.07	14.39	187.53	13.73	179.79	13.12	166.26	11.79	153.75	10.60	60	15.6	237.84	18.67	222.32	17.05	207.83	15.57	192.07	14.32	187.53	13.14	179.79	13.08	166.26	11.69	153.75	10.45

Combination	Outdoor Ambient Temperature		Indoor Ambient Temperature °F WB(°C WB)																								
			59(15)			64(17.8)			68(20)			70(21.1)			72(22.2)			74(23.3)			75(23.9)			80(26.7)			
			TC	PI	KW	TC	PI	KW	TC	PI	KW	TC	PI	KW	TC	PI	KW	TC	PI	KW	TC	PI	KW	TC	PI	KW	
	°F DB	°C DB	KBTU	PI	KW	KBTU	PI	KW	KBTU	PI	KW	KBTU	PI	KW	KBTU	PI	KW	KBTU	PI	KW	KBTU	PI	KW	KBTU	PI	KW	
	-22	-30	62.82	16.56	58.72	15.72	54.89	14.94	49.83	13.72	49.53	13.81	47.76	13.43	44.67	12.75	41.77	12.12									
	-13	-25	127.73	24.40	119.40	23.81	111.62	23.24	101.33	21.75	100.71	22.34	97.12	21.98	90.82	21.37	84.94	20.77									
	-4	-20	148.67	23.75	138.98	23.18	129.91	22.62	117.94	21.17	117.22	21.74	113.04	21.40	105.71	20.80	98.86	20.21									
	-2.2	-19	150.77	23.13	140.93	22.58	131.74	22.03	119.60	20.62	118.88	21.18	114.63	20.84	107.20	20.26	100.26	19.69									
	4.1	-15.5	161.24	22.27	150.72	21.73	140.89	21.21	127.91	19.85	127.13	20.38	122.59	20.06	114.65	19.50	107.22	18.95									
	12	-11.1	163.33	18.75	152.68	18.30	142.72	17.86	129.57	16.71	128.78	17.16	124.18	16.89	116.14	16.42	108.61	15.96									
	13.1	-10.5	169.61	17.81	158.55	17.38	148.21	16.96	134.55	15.88	133.73	16.31	128.96	16.05	120.60	15.60	112.79	15.16									
	15	-9.4	115.33	11.01	115.33	11.50	115.33	12.00	116.50	12.50	115.33	12.78	115.33	13.05	115.33	13.56	115.33	14.09									
	18	-7.8	148.01	12.44	148.01	12.76	148.01	13.09	149.50	13.80	148.01	14.00	148.01	14.21	148.01	14.86	148.01	15.55									
	21	-6.1	149.65	12.63	149.31	13.19	148.97	13.78	151.17	14.34	148.97	14.57	149.65	14.73	149.65	15.06	149.65	15.40									
	24	-4.4	154.72	13.35	153.00	13.90	151.30	14.48	152.83	15.06	150.45	15.31	150.43	14.73	150.08	14.34	149.73	13.96									
	28	-2.2	169.83	13.22	162.90	13.81	156.25	14.42	156.15	14.94	152.93	15.14	152.85	14.27	150.77	13.02	148.71	11.89									
	32	0	175.50	14.11	172.09	14.47	168.75	14.84	159.47	14.84	157.05	14.63	153.97	13.40	149.56	11.87	145.27	10.52									
	40	4.4	191.08	13.87	182.98	13.92	175.23	13.97	162.79	13.95	161.75	13.33	156.57	12.56	148.73	10.99	141.27	9.61									
	43	6.1	209.40	13.90	195.74	13.67	182.98	13.44	166.12	12.38	165.10	11.79	159.21	11.71	148.89	10.26	139.24	9.00									
	47	8.3	209.40	17.19	195.74	15.64	182.98	14.23	169.11	12.07	165.10	12.12	161.15	11.26	149.02	10.06	137.80	8.99									
	50	10	209.40	16.15	195.74	14.81	182.98	13.58	169.11	11.92	165.10	11.66	158.30	10.83	146.38	9.76	135.36	8.80									
	53	11.7	209.40	15.31	195.74	14.02	182.98	12.84	169.11	11.76	165.10	11.21	158.30	10.81	146.38	9.71	135.36	8.73									
	56	13.3	209.40	15.29	195.74	14.04	182.98	12.90	169.11	11.79	165.10	11.32	158.30	10.77	146.38	9.67	135.36	8.69									
	57	13.9	209.40	15.13	195.74	13.80	182.98	12.59	169.11	11.66	165.10	11.12	158.30	10.62	146.38	9.55	135.36	8.58									
	60	15.6	209.40	15.12	195.74	13.81	182.98	12.61	169.11	11.60	165.10	10.64	158.30	10.59	146.38	9.47	135.36	8.46									

Combination	Outdoor Ambient Temperature °C DB		Indoor Ambient Temperature °F WB(°C WB)																							
			59(15)			64(17.8)			68(20)			70(21.1)			72(22.2)			74(23.3)			75(23.9)			80(26.7)		
			TC	PI	KW	TC	PI	KW	TC	PI	KW	TC	PI	KW	TC	PI	KW	TC	PI	KW	TC	PI	KW	TC	PI	KW
	-22	-30	54.29	14.82	14.08	50.75	14.08	13.39	43.07	12.31	42.80	12.40	12.06	11.46	38.60	11.46	10.90									
	-13	-25	110.39	23.17	22.61	103.19	22.61	22.07	87.57	20.66	87.04	21.21	20.88	20.29	78.49	20.29	19.72									
	-4	-20	128.48	22.55	22.01	120.10	22.01	21.48	101.93	20.10	101.30	20.65	20.32	19.75	91.36	19.75	19.20									
	-2.2	-19	130.29	21.97	21.44	121.80	21.44	20.92	103.36	19.58	102.73	20.11	19.79	19.24	92.64	19.24	18.70									
	4.1	-15.5	139.34	21.15	20.64	130.25	20.64	20.14	110.54	18.85	109.87	19.36	19.05	18.52	99.08	18.52	18.00									
	12	-11.1	141.15	17.81	17.38	131.95	17.38	16.96	111.97	15.87	111.29	16.30	16.04	15.59	100.36	15.59	15.16									
	13.1	-10.5	146.58	16.92	16.51	137.02	16.51	16.11	116.28	15.08	115.57	15.48	15.24	14.81	104.22	14.81	14.40									
	15	-9.4	99.67	10.46	99.67	10.92	99.67	11.40	100.68	11.87	99.67	12.14	12.39	12.88	99.67	12.88	13.38									
	18	-7.8	127.91	11.81	127.91	12.12	127.91	12.43	129.20	13.10	127.91	13.30	13.49	14.11	127.91	14.11	14.76									
	21	-6.1	129.33	12.00	129.03	12.53	128.74	13.08	130.64	13.62	128.74	13.84	13.99	14.31	129.33	14.31	14.63									
	24	-4.4	133.71	12.67	132.22	13.20	130.75	13.75	132.07	14.31	130.02	14.54	13.99	13.62	129.70	13.62	13.26									
	28	-2.2	146.77	12.55	140.78	13.11	135.03	13.70	134.94	14.19	132.16	14.38	13.55	12.37	130.29	12.37	11.29									
	32	0	151.67	13.40	148.72	13.74	145.83	14.10	137.81	14.10	135.73	13.90	12.72	11.27	129.25	11.27	9.99									
	40	4.4	165.13	13.17	158.13	13.22	151.43	13.26	140.69	13.25	139.79	12.66	11.93	10.43	128.53	10.43	9.12									
	43	6.1	180.96	13.20	169.16	12.98	158.13	12.76	143.56	11.76	142.68	11.20	11.12	9.75	128.67	9.75	8.54									
	47	8.3	180.96	16.33	169.16	14.85	158.13	13.52	146.14	11.46	142.68	11.51	10.69	9.56	128.78	9.56	8.54									
	50	10	180.96	15.33	169.16	14.06	158.13	12.89	146.14	11.32	142.68	11.08	10.28	9.27	126.50	9.27	8.36									
	53	11.7	180.96	14.53	169.16	13.31	158.13	12.19	146.14	11.17	142.68	10.65	10.26	9.22	126.50	9.22	8.29									
	56	13.3	180.96	14.52	169.16	13.34	158.13	12.25	146.14	11.20	142.68	10.75	10.22	9.18	126.50	9.18	8.25									
	57	13.9	180.96	14.37	169.16	13.11	158.13	11.96	146.14	11.07	142.68	10.56	10.09	9.07	126.50	9.07	8.15									
	60	15.6	180.96	14.36	169.16	13.11	158.13	11.97	146.14	11.01	142.68	10.10	10.06	8.99	126.50	8.99	8.04									

Combination	Outdoor Ambient Temperature		Indoor Ambient Temperature °F WB(°C WB)																																
			59(15)				64(17.8)				68(20)				70(21.1)				72(22.2)				74(23.3)				75(23.9)				80(26.7)				
			°F DB	°C DB	TC	PI	KBTU	kW	TC	PI	KBTU	kW	TC	PI	KBTU	kW	TC	PI	KBTU	kW	TC	PI	KBTU	kW	TC	PI	KBTU	kW	TC	PI	KBTU	kW			
	-22	-30	48.86	13.26	45.67	12.60	42.69	11.98	38.76	11.01	38.52	11.09	37.15	10.78	34.74	10.25	32.49	9.74																	
	-13	-25	99.35	20.52	92.87	20.03	86.81	19.55	78.81	18.29	78.33	18.79	75.54	18.49	70.64	17.97	66.06	17.47																	
	-4	-20	115.63	19.98	108.09	19.50	101.04	19.03	91.73	17.81	91.17	18.29	87.92	18.00	82.22	17.49	76.89	17.00																	
	-2.2	-19	117.26	19.46	109.62	18.99	102.47	18.53	93.03	17.34	92.46	17.81	89.16	17.53	83.38	17.04	77.98	16.56																	
	4.1	-15.5	125.41	18.73	117.23	18.28	109.58	17.84	99.49	16.69	98.88	17.14	95.35	16.87	89.17	16.40	83.39	15.94																	
	12	-11.1	127.04	15.77	118.75	15.39	111.01	15.02	100.78	14.06	100.16	14.44	96.59	14.21	90.33	13.81	84.47	13.42																	
	13.1	-10.5	131.92	14.98	123.32	14.62	115.28	14.27	104.65	13.36	104.02	13.71	100.30	13.50	93.80	13.12	87.72	12.75																	
	15	-9.4	89.70	9.26	89.70	9.67	89.70	10.09	90.61	10.51	89.70	10.75	89.70	10.97	89.70	11.41	89.70	11.85																	
	18	-7.8	115.12	10.46	115.12	10.73	115.12	11.01	116.28	11.61	115.12	11.78	115.12	11.95	115.12	12.50	115.12	13.08																	
	21	-6.1	116.40	10.63	116.13	11.10	115.86	11.59	117.57	12.06	115.86	12.26	116.40	12.39	116.40	12.67	116.40	12.96																	
	24	-4.4	120.34	11.23	119.00	11.69	117.68	12.18	118.87	12.67	117.02	12.87	117.00	12.39	116.73	12.06	116.46	11.74																	
	28	-2.2	132.09	11.12	126.70	11.61	121.53	12.13	121.45	12.57	118.94	12.74	118.88	12.00	117.26	10.96	115.66	10.00																	
	32	0	136.50	11.87	133.85	12.17	131.25	12.48	124.03	12.48	122.15	12.31	119.76	11.27	116.32	9.98	112.99	8.85																	
	40	4.4	148.61	11.67	142.32	11.71	136.29	11.75	126.62	11.73	125.81	11.21	121.78	10.57	115.68	9.24	109.88	8.08																	
	43	6.1	162.87	11.69	152.24	11.50	142.32	11.30	129.20	10.42	128.41	9.92	123.83	9.85	115.80	8.63	108.30	7.57																	
	47	8.3	162.87	14.46	152.24	13.16	142.32	11.97	131.53	10.15	128.41	10.19	125.34	9.47	115.90	8.46	107.18	7.57																	
	50	10	162.87	13.58	152.24	12.45	142.32	11.42	131.53	10.03	128.41	9.81	123.12	9.11	113.85	8.21	105.28	7.40																	
	53	11.7	162.87	12.87	152.24	11.79	142.32	10.80	131.53	9.89	128.41	9.43	123.12	9.09	113.85	8.17	105.28	7.34																	
	56	13.3	162.87	12.86	152.24	11.81	142.32	10.85	131.53	9.92	128.41	9.52	123.12	9.05	113.85	8.13	105.28	7.31																	
	57	13.9	162.87	12.73	152.24	11.61	142.32	10.59	131.53	9.81	128.41	9.36	123.12	8.94	113.85	8.03	105.28	7.22																	
	60	15.6	162.87	12.72	152.24	11.61	142.32	10.60	131.53	9.76	128.41	8.95	123.12	8.91	113.85	7.97	105.28	7.12																	

Combination	Outdoor Ambient Temperature		Indoor Ambient Temperature °F WB(°C WB)																									
			59(15)			64(17.8)			68(20)			70(21.1)			72(22.2)			74(23.3)			75(23.9)			80(26.7)				
			°F DB	°C DB	TC	KBTU	PI	KW	TC	KBTU	PI	KW	TC	KBTU	PI	KW	TC	KBTU	PI	KW	TC	KBTU	PI	KW	TC	KBTU	PI	KW
	-22	-30	41.88	12.32	39.15	11.73	36.60	11.17	33.22	10.28	33.02	10.38	31.84	10.10	29.78	9.62	27.85	9.17										
	-13	-25	85.16	21.52	79.60	21.00	74.41	20.49	67.55	19.18	67.14	19.70	64.74	19.39	60.55	18.84	56.63	18.31										
	-4	-20	99.12	20.94	92.65	20.44	86.61	19.95	78.63	18.67	78.15	19.17	75.36	18.87	70.48	18.34	65.91	17.83										
	-2.2	-19	100.51	20.40	93.96	19.91	87.83	19.43	79.74	18.18	79.25	18.67	76.42	18.38	71.47	17.86	66.84	17.36										
	4.1	-15.5	107.49	19.63	100.48	19.16	93.93	18.70	85.27	17.50	84.75	17.97	81.73	17.69	76.43	17.19	71.48	16.71										
	12	-11.1	108.89	16.53	101.79	16.14	95.15	15.75	86.38	14.74	85.85	15.14	82.79	14.90	77.42	14.48	72.41	14.07										
	13.1	-10.5	113.08	15.71	105.70	15.33	98.81	14.96	89.70	14.00	89.16	14.38	85.97	14.15	80.40	13.75	75.19	13.37										
	15	-9.4	76.89	9.71	76.89	10.14	76.89	10.58	77.66	11.02	76.89	11.27	76.89	11.51	76.89	11.96	76.89	12.43										
	18	-7.8	98.67	10.97	98.67	11.25	98.67	11.54	99.67	12.17	98.67	12.35	98.67	12.53	98.67	13.11	98.67	13.71										
	21	-6.1	99.77	11.14	99.54	11.63	99.31	12.15	100.78	12.65	99.31	12.85	99.77	12.99	99.77	13.28	99.77	13.58										
50%	24	-4.4	103.15	11.77	102.00	12.26	100.87	12.77	101.88	13.28	100.30	13.50	100.29	12.99	100.05	12.65	99.82	12.31										
	28	-2.2	113.22	11.65	108.60	12.18	104.17	12.72	104.10	13.18	101.95	13.35	101.90	12.58	100.51	11.49	99.14	10.48										
	32	0	117.00	12.45	114.73	12.76	112.50	13.09	106.31	13.09	104.70	12.90	102.65	11.81	99.71	10.47	96.85	9.27										
	40	4.4	127.38	12.23	121.99	12.28	116.82	12.32	108.53	12.30	107.83	11.75	104.38	11.08	99.15	9.69	94.18	8.47										
	43	6.1	139.60	12.26	130.50	12.05	121.98	11.85	110.74	10.92	110.07	10.40	106.14	10.33	99.26	9.05	92.83	7.93										
	47	8.3	139.60	15.16	130.50	13.79	121.98	12.55	112.74	10.64	110.07	10.69	107.43	9.93	99.34	8.87	91.87	7.93										
	50	10	139.60	14.24	130.50	13.06	121.98	11.97	112.74	10.51	110.07	10.28	105.53	9.55	97.59	8.61	90.24	7.76										
	53	11.7	139.60	13.50	130.50	12.36	121.98	11.32	112.74	10.37	110.07	9.89	105.53	9.53	97.59	8.56	90.24	7.70										
	56	13.3	139.60	13.49	130.50	12.39	121.98	11.37	112.74	10.40	110.07	9.98	105.53	9.49	97.59	8.53	90.24	7.66										
	57	13.9	139.60	13.34	130.50	12.17	121.98	11.10	112.74	10.28	110.07	9.81	105.53	9.37	97.59	8.42	90.24	7.57										
	60	15.6	139.60	13.33	130.50	12.18	121.98	11.12	112.74	10.23	110.07	9.38	105.53	9.34	97.59	8.35	90.24	7.46										

Combination	Outdoor Ambient Temperature °F DB °C DB	Indoor Ambient Temperature °F WB(°C WB)																								
		59(15)			64(17.8)			68(20)			70(21.1)			72(22.2)			74(23.3)			75(23.9)			80(26.7)			
		TC	PI	KW	TC	PI	KW	TC	PI	KW	TC	PI	KW	TC	PI	KW	TC	PI	KW	TC	PI	KW	TC	PI	KW	
	-22	-30	91.53	24.78	85.56	23.54	79.98	22.38	72.61	20.57	72.17	20.72	69.59	20.15	65.08	19.15	60.86	18.21								
	-13	-25	186.11	38.23	173.97	37.31	162.62	36.41	147.64	34.07	146.74	34.99	141.50	34.44	132.33	33.47	123.75	32.54								
	-4	-20	216.62	37.21	202.49	36.31	189.28	35.44	171.84	33.17	170.79	34.06	164.69	33.52	154.02	32.58	144.04	31.67								
	-2.2	-19	219.67	36.24	205.34	35.37	191.95	34.52	174.26	32.30	173.20	33.17	167.01	32.65	156.19	31.74	146.07	30.85								
	4.1	-15.5	234.92	34.88	219.60	34.04	205.28	33.22	186.36	31.09	185.23	31.93	178.61	31.43	167.04	30.55	156.22	29.69								
	12	-11.1	237.97	29.37	222.45	28.67	207.94	27.98	188.78	26.18	187.63	26.89	180.93	26.46	169.21	25.72	158.24	25.00								
	13.1	-10.5	247.12	27.91	231.01	27.23	215.94	26.58	196.04	24.87	194.85	25.54	187.89	25.14	175.72	24.44	164.33	23.75								
	15	-9.4	168.04	17.25	168.04	18.01	168.04	18.80	169.73	19.58	168.04	20.03	168.04	20.44	168.04	21.24	168.04	22.08								
	18	-7.8	215.65	19.48	215.65	19.99	215.65	20.50	217.83	21.62	215.65	21.94	215.65	22.26	215.65	23.28	215.65	24.35								
	21	-6.1	218.05	19.79	217.54	20.67	217.04	21.58	220.25	22.47	217.04	22.83	218.04	23.08	218.04	23.60	218.04	24.13								
	24	-4.4	225.42	20.91	222.92	21.78	220.44	22.69	222.67	23.60	219.20	23.98	219.17	23.08	218.66	22.47	218.16	21.87								
	28	-2.2	247.44	20.70	237.34	21.63	227.65	22.60	227.51	23.41	222.81	23.72	222.70	22.36	219.66	20.40	216.67	18.62								
	32	0	255.70	22.11	250.73	22.67	245.87	23.25	232.35	23.25	228.82	22.92	224.34	20.99	217.90	18.60	211.66	16.48								
	40	4.4	278.39	21.73	266.60	21.81	255.31	21.88	237.19	21.85	235.67	20.88	228.13	19.68	216.69	17.21	205.84	15.05								
	43	6.1	305.09	21.78	285.19	21.41	266.59	21.05	242.03	19.40	240.56	18.48	231.96	18.34	216.93	16.08	202.88	14.09								
	47	8.3	305.09	26.93	285.19	24.50	266.59	22.30	246.39	18.91	240.56	18.98	234.79	17.64	217.11	15.76	200.77	14.09								
	50	10	305.09	25.30	285.19	23.20	266.59	21.27	246.39	18.67	240.56	18.27	230.64	16.96	213.28	15.29	197.22	13.79								
	53	11.7	305.09	23.98	285.19	21.96	266.59	20.11	246.39	18.42	240.56	17.57	230.64	16.93	213.28	15.21	197.22	13.67								
	56	13.3	305.09	23.96	285.19	22.00	266.59	20.20	246.39	18.47	240.56	17.73	230.64	16.87	213.28	15.15	197.22	13.61								
	57	13.9	305.09	23.71	285.19	21.63	266.59	19.73	246.39	18.27	240.56	17.43	230.64	16.64	213.28	14.96	197.22	13.45								
	60	15.6	305.09	23.69	285.19	21.63	266.59	19.75	246.39	18.17	240.56	16.67	230.64	16.60	213.28	14.84	197.22	13.26								

130%

Combination	Outdoor Ambient Temperature °C DB	Indoor Ambient Temperature °F WB(°C WB)																								
		59(15)			64(17.8)			68(20)			70(21.1)			72(22.2)			74(23.3)			75(23.9)			80(26.7)			
		TC	PI	KW	TC	PI	KW	TC	PI	KW	TC	PI	KW	TC	PI	KW	TC	PI	KW	TC	PI	KW	TC	PI	KW	
	-22	-30	90.65	24.73	84.74	23.50	79.21	22.34	71.91	20.54	71.47	20.69	68.92	20.12	64.45	19.13	60.28	18.19								
	-13	-25	184.32	38.62	172.30	37.69	161.06	36.78	146.22	34.43	145.33	35.35	140.14	34.79	131.06	33.82	122.56	32.87								
	-4	-20	214.53	37.59	200.54	36.69	187.46	35.80	170.19	33.51	169.15	34.41	163.11	33.87	152.54	32.92	142.66	31.99								
	-2.2	-19	217.55	36.62	203.37	35.73	190.10	34.87	172.59	32.64	171.53	33.52	165.41	32.99	154.69	32.06	144.67	31.16								
	4.1	-15.5	232.66	35.24	217.49	34.39	203.30	33.56	184.57	31.41	183.45	32.26	176.89	31.75	165.43	30.86	154.71	30.00								
	12	-11.1	235.68	29.68	220.31	28.96	205.94	28.26	186.97	26.45	185.83	27.17	179.19	26.74	167.58	25.99	156.72	25.26								
	13.1	-10.5	244.75	28.19	228.79	27.51	213.87	26.85	194.16	25.13	192.98	25.81	186.08	25.40	174.03	24.69	162.75	24.00								
	15	-9.4	166.42	17.43	166.42	18.19	166.42	18.99	168.10	19.78	166.42	20.23	166.42	20.65	166.42	21.46	166.42	22.31								
	18	-7.8	213.57	19.68	213.57	20.19	213.57	20.71	215.73	21.84	213.57	22.17	213.57	22.49	213.57	23.52	213.57	24.60								
	21	-6.1	215.95	19.99	215.45	20.88	214.95	21.81	218.13	22.70	214.95	23.06	215.95	23.32	215.95	23.84	215.95	24.38								
	24	-4.4	223.25	21.12	220.77	22.01	218.32	22.92	220.53	23.84	217.09	24.23	217.06	23.32	216.56	22.70	216.06	22.09								
	28	-2.2	245.06	20.92	235.06	21.85	225.47	22.83	225.32	23.65	220.67	23.97	220.56	22.59	217.55	20.62	214.59	18.82								
	32	0	253.24	22.34	248.32	22.91	243.50	23.49	230.11	23.49	226.62	23.16	222.18	21.20	215.81	18.79	209.62	16.65								
	40	4.4	275.72	21.96	264.04	22.03	252.85	22.11	234.91	22.08	233.40	21.09	225.93	19.88	214.61	17.39	203.86	15.21								
	43	6.1	302.16	22.01	282.45	21.63	264.03	21.27	239.70	19.60	238.24	18.67	229.73	18.53	214.85	16.24	200.93	14.24								
	47	8.3	302.16	27.21	282.45	24.76	264.03	22.53	244.02	19.10	238.24	19.18	232.53	17.82	215.03	15.93	198.84	14.24								
	50	10	302.16	25.56	282.45	23.44	264.03	21.49	244.02	18.87	238.24	18.46	228.42	17.13	211.23	15.45	195.33	13.93								
	53	11.7	302.16	24.22	282.45	22.19	264.03	20.32	244.02	18.61	238.24	17.75	228.42	17.10	211.23	15.37	195.33	13.81								
	56	13.3	302.16	24.21	282.45	22.23	264.03	20.41	244.02	18.66	238.24	17.91	228.42	17.04	211.23	15.31	195.33	13.75								
	57	13.9	302.16	23.95	282.45	21.85	264.03	19.93	244.02	18.45	238.24	17.60	228.42	16.82	211.23	15.12	195.33	13.59								
	60	15.6	302.16	23.93	282.45	21.85	264.03	19.96	244.02	18.36	238.24	16.84	228.42	16.77	211.23	14.99	195.33	13.40								

120%

Combination	Outdoor Ambient Temperature °C DB		Indoor Ambient Temperature °F WB(°C WB)																																																																																																																																																																																																																																																																																																																																																																																							
			59(15)				64(17.8)				68(20)				70(21.1)				72(22.2)				74(23.3)				75(23.9)				80(26.7)																																																																																																																																																																																																																																																																																																																																																											
			TC	PI	KBTU	kW	TC	PI	KBTU	kW	TC	PI	KBTU	kW	TC	PI	KBTU	kW	TC	PI	KBTU	kW	TC	PI	KBTU	kW	TC	PI	KBTU	kW	TC	PI	KBTU	kW																																																																																																																																																																																																																																																																																																																																																								
	-22	-30	88.89	24.52	83.09	23.31	77.67	22.17	70.51	20.39	70.08	20.54	67.58	19.98	63.20	19.00	59.11	18.07	-13	-25	180.74	39.02	168.95	38.08	157.93	37.16	143.38	34.78	142.51	35.71	137.42	35.15	128.51	34.16	120.19	33.21	-4	-20	210.37	37.98	196.65	37.06	183.82	36.17	166.88	33.85	165.87	34.76	159.94	34.21	149.58	33.25	139.89	32.32	-2.2	-19	213.33	36.99	199.42	36.10	186.41	35.23	169.23	32.97	168.20	33.86	162.20	33.32	151.69	32.39	141.86	31.48	4.1	-15.5	228.14	35.60	213.27	34.74	199.36	33.91	180.99	31.73	179.88	32.59	173.46	32.07	162.22	31.17	151.71	30.30	12	-11.1	231.11	29.98	216.03	29.26	201.95	28.55	183.34	26.72	182.22	27.44	175.71	27.01	164.33	26.25	153.68	25.52	13.1	-10.5	240.00	28.48	224.34	27.79	209.71	27.13	190.39	25.39	189.23	26.07	182.47	25.66	170.65	24.94	159.59	24.24	15	-9.4	163.19	17.61	163.19	18.38	163.19	19.19	164.84	19.98	163.19	20.44	163.19	20.86	163.19	21.68	163.19	22.53	18	-7.8	209.43	19.89	209.43	20.40	209.43	20.93	211.54	22.06	209.43	22.39	209.43	22.72	209.43	23.76	209.43	24.86	21	-6.1	211.76	20.20	211.27	21.09	210.78	22.03	213.89	22.93	210.78	23.30	211.75	23.56	211.75	24.09	211.75	24.63	24	-4.4	218.92	21.34	216.49	22.23	214.08	23.16	216.24	24.09	212.88	24.47	212.85	23.56	212.36	22.93	211.87	22.32	28	-2.2	240.30	21.13	230.50	22.08	221.09	23.06	220.94	23.89	216.38	24.21	216.28	22.82	213.33	20.83	210.42	19.01	32	0	248.32	22.57	243.50	23.14	238.77	23.73	225.65	23.73	222.22	23.40	217.86	21.42	211.62	18.98	205.55	16.82	40	4.4	270.36	22.18	258.91	22.26	247.94	22.33	230.35	22.30	228.87	21.31	221.54	20.09	210.44	17.57	199.90	15.36	43	6.1	296.29	22.23	276.97	21.85	258.90	21.48	235.05	19.80	233.62	18.86	225.27	18.72	210.68	16.41	197.02	14.38	47	8.3	296.29	27.49	276.97	25.01	258.90	22.76	239.28	19.30	233.62	19.38	228.01	18.00	210.85	16.09	194.98	14.38	50	10	296.29	25.82	276.97	23.67	258.90	21.71	239.28	19.06	233.62	18.65	223.98	17.31	207.12	15.61	191.53	14.07	53	11.7	296.29	24.47	276.97	22.41	258.90	20.53	239.28	18.80	233.62	17.93	223.98	17.28	207.12	15.53	191.53	13.95	56	13.3	296.29	24.46	276.97	22.46	258.90	20.62	239.28	18.85	233.62	18.09	223.98	17.21	207.12	15.46	191.53	13.89	57	13.9	296.29	24.20	276.97	22.07	258.90	20.13	239.28	18.64	233.62	17.78	223.98	16.99	207.12	15.27	191.53	13.73	60	15.6	296.29	24.17	276.97	22.08	258.90	20.16	239.28	18.55	233.62	17.01	223.98	16.94	207.12	15.14	191.53	13.53

110%

Combination	Outdoor Ambient Temperature °C DB		Indoor Ambient Temperature °F WB(°C WB)																											
			59(15)			64(17.8)			68(20)			70(21.1)			72(22.2)			74(23.3)			75(23.9)			80(26.7)						
			TC	PI	KW	TC	PI	KW	TC	PI	KW	TC	PI	KW	TC	PI	KW	TC	PI	KW	TC	PI	KW	TC	PI	KW				
	-22	-30	88.01	24.47	23.27	76.90	22.14	19.53	69.39	20.51	16.91	70.16	19.53	16.91	72(22.2)	66.91	19.95	15.83	74(23.3)	66.91	19.95	15.83	75(23.9)	62.58	18.98	14.06	80(26.7)	58.52	18.06	12.12
	-13	-25	178.95	39.41	167.28	156.37	37.53	139.55	141.09	36.07	136.06	139.55	29.21	141.09	141.09	36.07	136.06	136.06	35.50	127.24	136.06	35.50	127.24	127.24	34.51	119.00	119.00	33.54	33.54	
	-4	-20	208.28	38.36	194.70	182.00	36.53	162.45	164.23	35.11	158.36	162.45	28.01	164.23	164.23	35.11	158.36	158.36	34.56	148.10	158.36	34.56	148.10	148.10	33.59	138.50	138.50	32.65		
	-2.2	-19	211.22	37.36	197.44	184.57	35.58	162.99	166.54	34.20	160.59	162.99	27.69	166.54	166.54	34.20	160.59	160.59	33.66	150.18	160.59	33.66	150.18	150.18	32.72	140.45	140.45	31.80		
	4.1	-15.5	225.89	35.96	211.15	197.38	34.25	186.84	178.10	32.92	171.74	186.84	27.25	178.10	178.10	32.92	171.74	171.74	32.40	160.61	171.74	32.40	160.61	160.61	31.49	150.21	150.21	30.61		
	12	-11.1	228.82	30.28	213.90	199.95	28.84	135.64	180.42	27.72	173.97	135.64	18.95	180.42	180.42	27.72	173.97	173.97	27.28	162.70	173.97	27.28	162.70	162.70	26.52	152.16	152.16	25.77		
	13.1	-10.5	237.62	28.77	222.12	207.64	27.40	142.66	187.36	26.33	180.66	142.66	18.00	187.36	187.36	26.33	180.66	180.66	25.92	168.96	180.66	25.92	168.96	168.96	25.19	158.01	158.01	24.49		
	15	-9.4	161.57	17.78	161.57	161.57	19.38	156.92	161.57	20.65	161.57	156.92	18.00	161.57	161.57	20.65	161.57	161.57	21.07	161.57	161.57	21.07	161.57	161.57	21.90	161.57	161.57	22.76		
	18	-7.8	207.35	20.09	207.35	207.35	21.14	209.45	207.35	22.62	207.35	209.45	22.28	207.35	207.35	22.62	207.35	207.35	22.95	207.35	207.35	22.95	207.35	207.35	24.00	207.35	207.35	25.11		
	21	-6.1	209.66	20.40	209.18	208.69	22.25	211.78	208.69	23.53	209.66	211.78	23.16	208.69	208.69	23.53	209.66	209.66	23.79	209.66	209.66	23.79	209.66	209.66	24.33	209.66	209.66	24.88		
	24	-4.4	216.75	21.55	214.34	22.45	211.96	23.39	214.10	24.33	210.77	24.33	24.33	210.77	24.72	210.74	23.79	23.79	210.25	210.25	23.16	210.25	210.25	23.16	209.77	209.77	22.54			
	28	-2.2	237.92	21.34	228.21	218.90	23.30	218.76	218.76	24.13	214.24	218.76	24.13	214.24	24.46	214.14	23.05	23.05	211.22	211.22	21.04	211.22	211.22	21.04	208.34	208.34	19.20			
	32	0	245.86	22.79	241.09	236.41	23.97	223.41	223.41	23.97	220.02	23.63	215.71	215.71	21.64	209.52	19.17	19.17	203.52	203.52	16.99	203.52	203.52	16.99	16.99	16.99	16.99			
	40	4.4	267.69	22.41	256.35	22.48	245.49	22.56	228.07	22.53	226.61	21.52	219.35	219.35	20.29	208.36	17.74	17.74	197.92	197.92	15.52	197.92	197.92	15.52	15.52	15.52	15.52			
	43	6.1	293.36	22.45	274.23	22.07	256.34	21.70	233.86	20.00	231.30	19.05	223.04	223.04	18.91	208.59	16.58	16.58	195.07	195.07	14.53	195.07	195.07	14.53	14.53	14.53	14.53			
	47	8.3	293.36	27.76	274.23	25.26	256.34	22.99	236.91	19.49	231.30	19.57	225.76	225.76	18.18	208.76	16.25	16.25	193.05	193.05	14.53	193.05	193.05	14.53	14.53	14.53	14.53			
	50	10	293.36	26.08	274.23	23.91	256.34	21.93	236.91	19.25	231.30	18.84	221.76	221.76	17.48	205.07	15.76	15.76	189.64	189.64	14.21	189.64	189.64	14.21	14.21	14.21	14.21			
	53	11.7	293.36	24.72	274.23	22.64	256.34	20.74	236.91	18.99	231.30	18.11	221.76	221.76	17.45	205.07	15.68	15.68	189.64	189.64	14.09	189.64	189.64	14.09	14.09	14.09	14.09			
	56	13.3	293.36	24.70	274.23	22.68	256.34	20.83	236.91	19.04	231.30	18.28	221.76	221.76	17.39	205.07	15.62	15.62	189.64	189.64	14.03	189.64	189.64	14.03	14.03	14.03	14.03			
	57	13.9	293.36	24.44	274.23	22.29	256.34	20.34	236.91	18.83	231.30	17.96	221.76	221.76	17.16	205.07	15.42	15.42	189.64	189.64	13.86	189.64	189.64	15.42	15.42	15.42	15.42			
	60	15.6	293.36	24.42	274.23	22.30	256.34	20.36	236.91	18.73	231.30	17.18	221.76	221.76	17.11	205.07	15.29	15.29	189.64	189.64	13.67	189.64	189.64	15.29	15.29	15.29	15.29			

Combination	Outdoor Ambient Temperature		Indoor Ambient Temperature °F WB(°C WB)																																																																																																																																																																																																																																																																																																																																																																																										
			59(15)						64(17.8)						70(21.1)						72(22.2)						74(23.3)						75(23.9)						80(26.7)																																																																																																																																																																																																																																																																																																																																																						
			TC	PI	KBTU	kW	TC	PI	KBTU	kW	TC	PI	KBTU	kW	TC	PI	KBTU	kW	TC	PI	KBTU	kW	TC	PI	KBTU	kW	TC	PI	KBTU	kW	TC	PI	KBTU	kW	TC	PI	KBTU	kW																																																																																																																																																																																																																																																																																																																																																							
	°F DB	°C DB	-22	-30	80.97	22.54	75.69	21.07	19.70	70.75	19.70	64.23	17.88	63.84	17.77	61.56	17.14	57.57	16.03	53.84	14.99	-13	-25	127.18	30.74	127.18	32.27	127.18	33.88	128.46	35.35	128.46	35.92	127.18	36.29	127.18	38.43	127.18	40.71	-4	-20	127.18	29.84	127.18	31.33	127.18	32.90	128.46	34.32	128.46	34.87	127.18	35.23	127.18	37.31	127.18	39.52	-2.2	-19	127.18	29.54	127.18	31.02	127.18	32.57	128.46	33.98	128.46	34.52	127.18	34.88	127.18	36.94	127.18	39.13	4.1	-15.5	127.18	28.15	127.18	29.55	127.18	31.03	128.46	32.37	128.46	32.89	127.18	33.85	127.18	35.68	127.18	37.61	12	-11.1	173.81	14.51	173.81	15.15	173.81	15.83	175.56	16.53	173.81	16.69	173.81	17.38	173.81	18.16	173.81	18.97	13.1	-10.5	188.65	13.00	188.65	13.58	188.65	14.18	190.55	14.69	188.65	15.07	188.65	15.31	188.65	15.94	188.65	16.59	15	-9.4	148.65	16.18	148.65	16.90	148.65	17.64	150.15	18.37	148.65	18.79	148.65	19.18	148.65	19.93	148.65	20.71	18	-7.8	190.77	18.28	190.77	18.75	190.77	19.23	192.69	20.28	190.77	20.58	190.77	20.88	190.77	21.84	190.77	22.85	21	-6.1	192.89	18.57	192.44	19.39	192.00	20.25	194.83	21.08	192.00	21.41	192.89	21.65	192.89	22.14	192.89	22.64	24	-4.4	199.41	19.61	197.20	20.43	195.00	21.29	196.97	22.14	193.91	22.50	193.88	21.65	193.88	21.08	192.99	20.52	28	-2.2	218.89	19.42	209.96	20.29	201.39	21.20	201.26	21.96	197.10	22.25	197.01	20.97	194.32	19.14	191.67	17.47	32	0	226.20	20.74	221.80	21.27	217.50	21.81	205.54	21.81	202.42	21.51	198.45	19.69	192.76	17.45	187.24	15.46	40	4.4	246.27	20.39	235.84	20.46	225.85	20.53	209.82	20.50	208.48	19.59	201.80	18.46	191.69	16.15	182.09	14.12	43	6.1	269.89	20.43	252.29	20.09	235.83	19.75	214.10	18.20	212.80	17.34	205.20	17.21	191.90	15.08	179.47	13.22	47	8.3	269.89	25.27	252.29	22.99	235.83	20.92	217.96	17.74	212.80	17.81	207.70	16.55	192.06	14.79	177.61	13.22	50	10	269.89	23.73	252.29	21.76	235.83	19.95	217.96	17.52	212.80	17.14	204.02	15.91	188.67	14.35	174.47	12.94	53	11.7	269.89	22.49	252.29	20.60	235.83	18.87	217.96	17.28	212.80	16.48	204.02	15.88	188.67	14.27	174.47	12.83	56	13.3	269.89	22.48	252.29	20.64	235.83	18.96	217.96	17.33	212.80	16.63	204.02	15.82	188.67	14.21	174.47	12.77	57	13.9	269.89	22.24	252.29	20.29	235.83	18.51	217.96	17.14	212.80	16.35	204.02	15.62	188.67	14.04	174.47	12.62	60	15.6	269.89	22.22	252.29	20.29	235.83	18.53	217.96	17.05	212.80	15.64	204.02	15.57	188.67	13.92	174.47	12.44

Combination	Outdoor Ambient Temperature °C DB		Indoor Ambient Temperature °F WB(°C WB)																																																																																																																																																																																																																																																																																																																																															
			59(15)			64(17.8)			68(20)			70(21.1)			72(22.2)			74(23.3)			75(23.9)			80(26.7)																																																																																																																																																																																																																																																																																																																										
			TC	PI	KW	TC	PI	KW	TC	PI	KW	TC	PI	KW	TC	PI	KW	TC	PI	KW	TC	PI	KW	TC	PI	KW																																																																																																																																																																																																																																																																																																																								
	-22	-30	71.29	19.85	66.64	18.55	62.29	17.34	56.55	15.75	56.21	15.65	54.20	15.09	50.69	14.11	47.40	13.20	111.97	24.90	111.97	26.14	111.97	27.45	113.10	28.64	113.10	29.09	111.97	29.39	111.97	31.13	111.97	32.97	111.97	24.17	111.97	25.38	111.97	26.65	113.10	27.80	113.10	28.25	111.97	28.54	111.97	30.22	111.97	32.01	111.97	23.93	111.97	25.13	111.97	26.38	113.10	27.52	113.10	27.96	111.97	28.25	111.97	29.92	111.97	31.69	111.97	22.80	111.97	23.94	111.97	25.13	113.10	26.22	113.10	26.64	111.97	27.42	111.97	28.90	111.97	30.47	153.03	11.75	153.03	12.27	153.03	12.82	154.57	13.39	153.03	13.52	153.03	14.07	153.03	14.71	153.03	15.37	166.09	10.53	166.09	11.00	166.09	11.49	167.77	11.90	166.09	12.21	166.09	12.40	166.09	12.91	166.09	13.44	130.88	13.11	130.88	13.68	130.88	14.29	132.20	14.88	130.88	15.22	130.88	15.53	130.88	16.14	130.88	16.78	167.96	14.81	167.96	15.19	167.96	15.58	169.65	16.43	167.96	16.67	167.96	16.92	167.96	17.69	167.96	18.51	169.82	15.04	169.43	15.70	169.04	16.40	171.54	17.07	169.04	17.35	169.82	17.54	169.82	17.93	169.82	18.34	175.57	15.89	173.62	16.55	171.69	17.24	173.42	17.93	170.72	18.22	170.70	17.54	170.31	17.07	169.91	16.62	192.72	15.73	184.85	16.44	177.31	17.17	177.19	17.79	173.54	18.03	173.45	16.99	171.09	15.51	168.75	14.15	199.15	16.80	195.28	17.23	191.49	17.67	180.96	17.67	178.22	17.42	174.72	15.95	169.71	14.13	164.85	12.52	216.83	16.52	207.64	16.57	198.85	16.63	184.73	16.61	183.55	15.86	177.67	14.96	168.77	13.08	160.31	11.44	237.62	16.55	222.12	16.27	207.64	15.99	188.50	14.74	187.36	14.04	180.66	13.94	168.96	12.22	158.01	10.71	237.62	20.47	222.12	18.62	207.64	16.94	191.90	14.37	187.36	14.43	182.86	13.40	169.10	11.98	156.37	10.71	237.62	19.22	222.12	17.63	207.64	16.16	191.90	14.19	187.36	13.88	179.63	12.89	166.11	11.62	153.61	10.48	237.62	18.22	222.12	16.69	207.64	15.28	191.90	14.00	187.36	13.35	179.63	12.86	166.11	11.56	153.61	10.39	237.62	18.21	222.12	16.72	207.64	15.35	191.90	14.04	187.36	13.47	179.63	12.82	166.11	11.51	153.61	10.34	237.62	18.01	222.12	16.43	207.64	14.99	191.90	13.88	187.36	13.24	179.63	12.65	166.11	11.37	153.61	10.22	237.62	18.00	222.12	16.44	207.64	15.01	191.90	13.81	187.36	12.67	179.63	12.61	166.11	11.27	153.61	10.08

Combination	Outdoor Ambient Temperature °F DB °C DB	Indoor Ambient Temperature °F WB(°C WB)																																					
		59(15)				64(17.8)				68(20)				70(21.1)				72(22.2)				74(23.3)				75(23.9)				80(26.7)									
		TC	PI	KW	KBTU	TC	PI	KW	KBTU	TC	PI	KW	KBTU	TC	PI	KW	KBTU	TC	PI	KW	KBTU	TC	PI	KW	KBTU	TC	PI	KW	KBTU	TC	PI	KW	KBTU						
	-22	-30	61.61	17.15	57.59	16.03	53.83	14.99	48.87	13.61	48.57	13.52	46.84	13.04	43.80	12.20	40.97	11.41																					
	-13	-25	96.77	23.65	96.77	24.83	96.77	26.06	97.74	27.19	97.74	27.63	96.77	27.91	96.77	29.56	96.77	31.31																					
	-4	-20	96.77	22.96	96.77	24.10	96.77	25.31	97.74	26.40	97.74	26.82	96.77	27.10	96.77	28.70	96.77	30.40																					
	-2.2	-19	96.77	22.73	96.77	23.86	96.77	25.05	97.74	26.14	97.74	26.56	96.77	26.83	96.77	28.42	96.77	30.10																					
	4.1	-15.5	96.77	21.65	96.77	22.73	96.77	23.87	97.74	24.90	97.74	25.30	96.77	26.04	96.77	27.45	96.77	28.93																					
	12	-11.1	132.25	11.16	132.25	11.66	132.25	12.18	133.58	12.72	132.25	12.84	132.25	13.37	132.25	13.97	132.25	14.60																					
	13.1	-10.5	143.53	10.00	143.53	10.44	143.53	10.91	144.98	11.30	143.53	11.59	143.53	11.78	143.53	12.26	143.53	12.76																					
	15	-9.4	113.10	12.45	113.10	13.00	113.10	13.57	114.24	14.13	113.10	14.45	113.10	14.75	113.10	15.33	113.10	15.93																					
	18	-7.8	145.15	14.06	145.15	14.42	145.15	14.80	146.61	15.60	145.15	15.83	145.15	16.06	145.15	16.80	145.15	17.57																					
	21	-6.1	146.76	14.28	146.42	14.91	146.08	15.58	148.24	16.21	146.08	16.47	146.08	16.66	146.76	17.03	146.76	17.41																					
70%	24	-4.4	151.73	15.09	150.04	15.72	148.37	16.37	149.87	17.03	147.54	17.30	147.52	16.66	147.18	16.21	146.84	15.78																					
	28	-2.2	166.55	14.94	159.75	15.61	153.23	16.31	153.13	16.89	149.97	17.12	149.90	16.13	147.85	14.73	145.84	13.44																					
	32	0	172.10	15.96	168.76	16.36	165.49	16.78	156.39	16.78	154.02	16.54	151.00	15.15	146.67	13.42	142.46	11.89																					
	40	4.4	187.38	15.68	179.44	15.74	171.84	15.79	159.65	15.77	158.62	15.07	153.55	14.20	145.85	12.42	138.54	10.86																					
	43	6.1	205.35	15.72	191.96	15.45	179.44	15.19	162.90	14.00	161.91	13.33	156.13	13.24	146.01	11.60	136.55	10.17																					
	47	8.3	205.35	19.44	191.96	17.68	179.44	16.09	165.84	13.65	161.91	13.70	158.03	12.73	146.13	11.38	135.14	10.17																					
	50	10	205.35	18.26	191.96	16.74	179.44	15.35	165.84	13.48	161.91	13.19	155.24	12.24	143.55	11.04	132.75	9.95																					
	53	11.7	205.35	17.30	191.96	15.85	179.44	14.52	165.84	13.29	161.91	12.68	155.24	12.22	143.55	10.98	132.75	9.87																					
	56	13.3	205.35	17.29	191.96	15.88	179.44	14.58	165.84	13.33	161.91	12.79	155.24	12.17	143.55	10.93	132.75	9.82																					
	57	13.9	205.35	17.11	191.96	15.61	179.44	14.24	165.84	13.18	161.91	12.57	155.24	12.01	143.55	10.80	132.75	9.71																					
	60	15.6	205.35	17.09	191.96	15.61	179.44	14.25	165.84	13.11	161.91	12.03	155.24	11.98	143.55	10.71	132.75	9.57																					

Combination	Outdoor Ambient Temperature °C DB		Indoor Ambient Temperature °F WB(°C WB)																																																																																																																																																																																																																																																																																																																																																																																							
			59(15)			64(17.8)			68(20)			70(21.1)			72(22.2)			74(23.3)			75(23.9)			80(26.7)																																																																																																																																																																																																																																																																																																																																																																		
			TC	PI	KW	TC	PI	KW	TC	PI	KW	TC	PI	KW	TC	PI	KW	TC	PI	KW	TC	PI	KW	TC	PI	KW																																																																																																																																																																																																																																																																																																																																																																
	-22	-30	55.44	15.44	51.83	14.43	48.45	13.49	43.98	12.25	43.72	12.17	42.15	11.74	39.42	10.98	36.87	10.27	-13	-25	87.09	20.94	87.09	21.99	87.09	23.09	87.97	24.09	87.97	24.47	87.09	24.72	87.09	26.19	87.09	27.74	-4	-20	87.09	20.33	87.09	21.35	87.09	22.41	87.97	23.39	87.97	23.76	87.09	24.00	87.09	25.42	87.09	26.93	-2.2	-19	87.09	20.13	87.09	21.13	87.09	22.19	87.97	23.15	87.97	23.52	87.09	23.76	87.09	25.17	87.09	26.66	4.1	-15.5	87.09	19.18	87.09	20.13	87.09	21.14	87.97	22.06	87.97	22.41	87.09	23.06	87.09	24.31	87.09	25.63	12	-11.1	119.02	9.88	119.02	10.32	119.02	10.78	120.22	11.26	119.02	11.37	119.02	11.84	119.02	12.37	119.02	12.93	13.1	-10.5	129.18	8.86	129.18	9.25	129.18	9.66	130.49	10.01	129.18	10.27	129.18	10.43	129.18	10.86	129.18	11.30	15	-9.4	101.79	11.03	101.79	11.51	101.79	12.02	102.82	12.51	101.79	12.80	101.79	13.06	101.79	13.58	101.79	14.11	18	-7.8	130.63	12.45	130.63	12.78	130.63	13.11	131.95	13.82	130.63	14.02	130.63	14.23	130.63	14.88	130.63	15.57	21	-6.1	132.09	12.65	131.78	13.21	131.48	13.80	133.42	14.36	131.48	14.59	132.08	14.75	132.08	15.08	132.08	15.42	24	-4.4	136.55	13.36	135.04	13.92	133.54	14.50	134.88	15.08	132.79	15.33	132.77	14.75	132.46	14.36	132.15	13.98	28	-2.2	149.89	13.23	143.77	13.83	137.91	14.44	137.82	14.96	134.97	15.16	134.91	14.29	133.07	13.04	131.25	11.90	32	0	154.89	14.13	151.89	14.49	148.94	14.86	140.75	14.86	138.62	14.65	135.90	13.41	132.00	11.89	128.22	10.53	40	4.4	168.64	13.89	161.50	13.94	154.66	13.99	143.68	13.97	142.76	13.34	138.19	12.58	131.27	11.00	124.69	9.62	43	6.1	184.82	13.92	172.76	13.69	161.49	13.45	146.61	12.40	145.72	11.81	140.52	11.72	131.41	10.28	122.90	9.01	47	8.3	184.82	17.21	172.76	15.66	161.49	14.25	149.25	12.09	145.72	12.13	142.23	11.27	131.52	10.08	121.62	9.01	50	10	184.82	16.17	172.76	14.83	161.49	13.60	149.25	11.94	145.72	11.68	139.71	10.84	129.20	9.77	119.47	8.81	53	11.7	184.82	15.33	172.76	14.04	161.49	12.86	149.25	11.78	145.72	11.23	139.71	10.82	129.20	9.72	119.47	8.74	56	13.3	184.82	15.32	172.76	14.06	161.49	12.91	149.25	11.81	145.72	11.33	139.71	10.78	129.20	9.68	119.47	8.70	57	13.9	184.82	15.15	172.76	13.82	161.49	12.61	149.25	11.67	145.72	11.14	139.71	10.64	129.20	9.56	119.47	8.60	60	15.6	184.82	15.14	172.76	13.83	161.49	12.62	149.25	11.61	145.72	10.65	139.71	10.61	129.20	9.48	119.47	8.48

Combination	Outdoor Ambient Temperature		Indoor Ambient Temperature °F WB(°C WB)																																																																																																																																																																																																																																																																																																																																																																													
			59(15)				64(17.8)				68(20)				70(21.1)				72(22.2)				74(23.3)				75(23.9)				80(26.7)																																																																																																																																																																																																																																																																																																																																																	
			TC	PI	KW	KBTU	TC	PI	KW	KBTU	TC	PI	KW	KBTU	TC	PI	KW	KBTU	TC	PI	KW	KBTU	TC	PI	KW	KBTU	TC	PI	KW	KBTU	TC	PI	KW	KBTU																																																																																																																																																																																																																																																																																																																																														
	°F DB	°C DB	-22	-30	47.52	13.23	44.42	12.37	41.53	11.56	37.70	10.50	37.47	10.43	36.13	10.06	33.79	9.41	31.60	8.80	-13	-25	74.65	21.96	74.65	23.05	74.65	24.20	75.40	25.25	75.40	25.66	74.65	25.92	74.65	27.45	74.65	29.08	-4	-20	74.65	21.32	74.65	22.38	74.65	23.50	75.40	24.52	75.40	24.91	74.65	25.16	74.65	26.65	74.65	28.23	-2.2	-19	74.65	21.10	74.65	22.16	74.65	23.26	75.40	24.27	75.40	24.66	74.65	24.91	74.65	26.39	74.65	27.95	4.1	-15.5	74.65	20.11	74.65	21.11	74.65	22.16	75.40	23.12	75.40	23.49	74.65	24.18	74.65	25.49	74.65	26.87	12	-11.1	102.02	10.36	102.02	10.82	103.05	11.81	102.02	11.92	102.02	11.92	102.02	12.41	102.02	12.41	102.02	12.97	102.02	13.55	13.1	-10.5	110.73	9.29	110.73	9.70	111.85	10.50	110.73	10.76	110.73	10.94	110.73	11.38	110.73	11.85	15	-9.4	87.25	11.56	87.25	12.07	88.13	13.12	87.25	13.42	87.25	13.70	87.25	14.24	87.25	14.80	18	-7.8	111.97	13.06	111.97	13.39	113.10	14.49	111.97	14.70	111.97	14.92	111.97	15.60	111.97	16.32	21	-6.1	113.22	13.26	112.95	13.85	114.36	15.05	112.69	15.30	113.22	15.47	113.22	15.81	113.22	16.17	24	-4.4	117.05	14.01	115.75	14.60	114.46	15.20	113.82	16.07	113.80	15.47	113.54	15.05	113.27	14.65	28	-2.2	128.48	13.87	123.24	14.49	118.21	15.14	115.69	15.90	115.63	14.98	114.06	13.67	112.50	12.48	32	0	132.77	14.82	130.19	15.19	127.66	15.58	118.81	15.36	116.48	14.06	113.14	12.46	109.90	11.04	40	4.4	144.55	14.56	138.43	14.61	132.56	14.66	123.16	14.64	122.37	13.99	118.45	13.19	112.51	11.53	106.88	10.09	43	6.1	158.41	14.60	148.08	14.35	138.42	14.10	125.67	13.00	124.90	12.38	120.44	12.29	112.64	10.77	105.34	9.44	47	8.3	158.41	18.05	148.08	16.42	138.42	14.94	127.93	12.67	124.90	12.72	121.91	11.82	112.73	10.56	104.25	9.44	50	10	158.41	16.95	148.08	15.54	138.42	14.25	127.93	12.51	124.90	12.24	119.75	11.36	110.74	10.25	102.40	9.24	53	11.7	158.41	16.07	148.08	14.72	138.42	13.48	127.93	12.35	124.90	11.77	119.75	11.34	110.74	10.19	102.40	9.16	56	13.3	158.41	16.06	148.08	14.74	138.42	13.54	127.93	12.38	124.90	11.88	119.75	11.30	110.74	10.15	102.40	9.12	57	13.9	158.41	15.89	148.08	14.49	138.42	13.22	127.93	12.24	124.90	11.68	119.75	11.15	110.74	10.03	102.40	9.01	60	15.6	158.41	15.87	148.08	14.49	138.42	13.24	127.93	12.18	124.90	11.17	119.75	11.12	110.74	9.94	102.40	8.89

MVHQ240ME4CA
460v heating capacity

Combination	Outdoor Ambient Temperature		Indoor Ambient Temperature °F WB(°C WB)																								
			59(15)			64(17.8)			68(20)			70(21.1)			72(22.2)			74(23.3)			75(23.9)			80(26.7)			
			TC	PI	KW	TC	PI	KW	TC	PI	KW	TC	PI	KW	TC	PI	KW	TC	PI	KW	TC	PI	KW	TC	PI	KW	
	°F DB	°C DB	KBTU	PI	KW	KBTU	PI	KW	KBTU	PI	KW	KBTU	PI	KW	KBTU	PI	KW	KBTU	PI	KW	KBTU	PI	KW	KBTU	PI	KW	
	-22	-30	94.01	25.90	87.88	24.62	82.15	23.41	74.58	21.52	74.12	21.69	71.48	21.09	66.85	20.06	62.51	19.08									
	-13	-25	191.16	41.09	178.69	40.10	167.04	39.14	151.64	36.63	150.72	37.62	145.34	37.02	135.92	35.98	127.11	34.98									
	-4	-20	222.49	40.00	207.98	39.03	194.42	38.09	176.50	35.65	175.43	36.61	169.16	36.04	158.20	35.03	147.95	34.04									
	-2.2	-19	225.63	38.96	210.91	38.02	197.16	37.10	178.99	34.73	177.90	35.66	171.55	35.10	160.43	34.12	150.04	33.16									
	4.1	-15.5	241.30	37.50	225.56	36.59	210.85	35.71	191.42	33.42	190.25	34.33	183.46	33.78	171.57	32.84	160.45	31.92									
	12	-11.1	244.43	31.58	228.49	30.82	213.59	30.07	193.91	28.15	192.72	28.91	185.84	28.45	173.80	27.65	162.54	26.88									
	13.1	-10.5	253.83	30.00	237.28	29.28	221.80	28.57	201.36	26.74	200.14	27.46	192.99	27.03	180.48	26.27	168.79	25.53									
	15	-9.4	172.60	18.54	172.60	19.36	172.60	20.21	174.34	21.05	172.60	21.53	172.60	21.97	172.60	22.84	172.60	23.73									
	18	-7.8	221.50	20.95	221.50	21.49	221.50	22.04	223.74	23.24	221.50	23.58	221.50	23.93	221.50	25.03	221.50	26.18									
	21	-6.1	223.96	21.27	223.45	22.22	222.93	23.20	226.22	24.15	222.93	24.54	223.96	24.81	223.96	25.37	223.96	25.94									
	24	-4.4	231.54	22.48	228.97	23.41	226.42	24.39	228.71	25.37	225.15	25.78	225.12	24.81	224.60	24.15	224.08	23.51									
	28	-2.2	254.16	22.26	243.78	23.25	233.83	24.29	233.68	25.17	228.86	25.50	228.75	24.03	225.63	21.94	222.55	20.02									
	32	0	262.64	23.77	257.54	24.37	252.54	25.00	238.65	25.00	235.03	24.64	230.42	22.56	223.82	19.99	217.40	17.71									
	40	4.4	285.95	23.36	273.84	23.44	262.24	23.52	243.63	23.49	242.07	22.44	234.32	21.16	222.57	18.50	211.42	16.18									
	43	6.1	313.37	23.41	292.93	23.02	273.83	22.63	248.60	20.86	247.08	19.86	238.26	19.72	222.82	17.28	208.38	15.15									
	47	8.3	313.37	28.95	292.93	26.34	273.83	23.97	253.07	20.33	247.08	20.41	241.16	18.96	223.01	16.95	206.22	15.15									
	50	10	313.37	27.19	292.93	24.94	273.83	22.87	253.07	20.07	247.08	19.64	236.89	18.23	219.06	16.44	202.57	14.82									
	53	11.7	313.37	25.78	292.93	23.61	273.83	21.62	253.07	19.80	247.08	18.89	236.89	18.20	219.06	16.35	202.57	14.70									
	56	13.3	313.37	25.76	292.93	23.65	273.83	21.72	253.07	19.86	247.08	19.06	236.89	18.13	219.06	16.29	202.57	14.63									
	57	13.9	313.37	25.48	292.93	23.25	273.83	21.21	253.07	19.64	247.08	18.73	236.89	17.89	219.06	16.08	202.57	14.46									
	60	15.6	313.37	25.46	292.93	23.25	273.83	21.23	253.07	19.53	247.08	17.92	236.89	17.84	219.06	15.95	202.57	14.26									

Combination	Outdoor Ambient Temperature °F DB °C DB	Indoor Ambient Temperature °F WB(°C WB)																																																																																																																																																																																																																																																																																																																																																																																			
		59(15)				64(17.8)				68(20)				70(21.1)				72(22.2)				74(23.3)				75(23.9)				80(26.7)																																																																																																																																																																																																																																																																																																																																																							
		TC	KBTU	PI	KW	TC	KBTU	PI	KW	TC	KBTU	PI	KW	TC	KBTU	PI	KW	TC	KBTU	PI	KW	TC	KBTU	PI	KW	TC	KBTU	PI	KW	TC	KBTU	PI	KW																																																																																																																																																																																																																																																																																																																																																				
	-22	93.11	25.85	87.04	24.58	81.36	23.38	73.86	21.49	73.41	21.66	70.79	21.07	66.20	20.04	61.91	19.07	-13	189.32	41.52	176.97	40.52	165.43	39.54	150.19	37.01	149.27	38.00	143.94	37.40	134.61	36.36	125.89	35.34	-4	220.35	40.41	205.98	39.44	192.55	38.49	174.81	36.02	173.74	36.99	167.54	36.41	156.68	35.39	146.53	34.39	-2.2	223.46	39.36	208.88	38.41	195.26	37.49	177.27	35.08	176.19	36.03	169.90	35.46	158.89	34.47	148.59	33.50	4.1	238.98	37.89	223.39	36.97	208.82	36.08	189.58	33.77	188.42	34.68	181.69	34.13	169.92	33.17	158.91	32.24	12	242.08	31.90	226.29	31.13	211.53	30.38	192.04	28.44	190.87	29.20	184.05	28.74	172.13	27.94	160.98	27.15	13.1	251.39	30.31	234.99	29.58	219.67	28.86	199.43	27.02	198.21	27.74	191.13	27.30	178.75	26.54	167.17	25.80	15	170.94	18.74	170.94	19.56	170.94	20.42	172.66	21.26	170.94	21.75	170.94	22.20	170.94	23.07	170.94	23.98	18	219.37	21.16	219.37	21.71	219.37	22.27	221.59	23.48	219.37	23.83	219.37	24.18	219.37	25.29	219.37	26.45	21	221.81	21.49	221.30	22.45	220.79	23.44	224.05	24.40	220.79	24.79	221.81	25.07	221.81	25.63	221.81	26.21	24	229.31	22.71	226.76	23.66	224.25	24.64	226.51	25.63	222.99	26.04	222.99	26.40	222.99	27.07	222.99	27.75	28	251.71	22.49	241.44	23.49	231.58	24.54	231.43	25.42	226.66	25.76	226.66	26.28	226.66	27.07	226.66	27.98	32	260.11	24.01	255.06	24.63	250.11	25.25	236.36	25.25	232.77	24.90	232.77	25.38	232.77	26.15	232.77	27.01	40	283.20	23.61	271.20	23.69	259.72	23.77	241.28	23.73	239.74	22.67	239.74	23.38	232.06	21.38	220.43	18.69	209.39	16.35	43	310.36	23.66	290.12	23.25	271.20	22.86	246.21	21.07	244.71	20.07	244.71	20.70	235.97	19.92	220.68	17.46	206.38	15.31	47	310.36	29.25	290.12	26.61	271.20	24.22	250.64	20.54	244.71	20.62	244.71	20.62	238.84	19.15	220.86	17.12	204.24	15.30	50	310.36	27.48	290.12	25.19	271.20	23.10	250.64	20.28	244.71	19.84	244.71	19.84	234.62	18.42	216.96	16.61	200.63	14.98	53	310.36	26.04	290.12	23.85	271.20	21.85	250.64	20.01	244.71	19.08	244.71	19.08	234.62	18.39	216.96	16.52	200.63	14.85	56	310.36	26.02	290.12	23.90	271.20	21.94	250.64	20.06	244.71	19.25	244.71	19.25	234.62	18.32	216.96	16.45	200.63	14.78	57	310.36	25.75	290.12	23.49	271.20	21.43	250.64	19.84	244.71	18.93	244.71	18.93	234.62	18.08	216.96	16.25	200.63	14.61	60	310.36	25.73	290.12	23.49	271.20	21.45	250.64	19.74	244.71	18.10	244.71	18.10	234.62	18.03	216.96	16.11	200.63	14.40

120%

Combination	Outdoor Ambient Temperature °C DB		Indoor Ambient Temperature °F WB(°C WB)																																																																																																																																																																																																																																																																																																																																															
			59(15)			64(17.8)			68(20)			70(21.1)			72(22.2)			74(23.3)			75(23.9)			80(26.7)																																																																																																																																																																																																																																																																																																																										
			TC	KBTU	PI	TC	KBTU	PI	TC	KBTU	PI	TC	KBTU	PI	TC	KBTU	PI	TC	KBTU	PI	TC	KBTU	PI	TC	KBTU	PI																																																																																																																																																																																																																																																																																																																								
	-22	-30	91.30	25.64	85.35	24.39	79.78	23.21	72.43	21.34	71.99	21.51	69.42	20.93	64.92	19.91	60.71	18.95	185.64	41.94	173.54	40.93	162.22	39.94	147.27	37.39	146.37	38.39	141.14	37.79	132.00	36.73	123.45	35.70	216.08	40.82	201.98	39.84	188.81	38.88	171.41	36.39	170.37	37.37	164.28	36.78	153.64	35.75	143.68	34.75	219.12	39.76	204.83	38.80	191.47	37.87	173.83	35.44	172.77	36.40	166.60	35.82	155.80	34.82	145.71	33.84	234.34	38.27	219.05	37.35	204.77	36.45	185.90	34.11	184.77	35.03	178.17	34.48	166.62	33.51	155.83	32.57	237.38	32.23	221.90	31.45	207.43	30.69	188.31	28.73	187.17	29.50	180.48	29.04	168.79	28.22	157.85	27.43	246.51	30.62	230.43	29.88	215.40	29.16	195.56	27.29	194.36	28.03	187.42	27.58	175.28	26.81	163.92	26.06	167.62	18.93	167.62	19.76	167.62	20.63	169.31	21.48	167.62	21.97	167.62	22.43	167.62	23.31	167.62	24.22	215.11	21.38	215.11	21.93	215.11	22.50	217.28	23.72	215.11	24.07	215.11	24.42	215.11	25.55	215.11	26.72	217.50	21.71	217.00	22.68	216.50	23.68	219.70	24.65	216.50	25.04	217.50	25.32	217.50	25.89	217.50	26.47	224.86	22.94	222.36	23.90	219.89	24.89	222.11	25.89	218.66	26.31	218.63	25.32	218.12	24.65	217.61	23.99	246.82	22.72	236.75	23.73	227.09	24.79	226.94	25.68	222.26	26.03	222.15	24.53	219.12	22.39	216.13	20.43	255.06	24.26	250.11	24.88	245.25	25.51	231.77	25.51	228.25	25.15	223.78	23.03	217.36	20.40	211.13	18.08	277.70	23.85	265.94	23.93	254.67	24.01	236.60	23.98	235.08	22.90	227.56	21.59	216.15	18.88	205.32	16.51	304.33	23.90	284.48	23.49	265.93	23.09	241.43	21.29	239.96	20.27	231.39	20.13	216.39	17.64	202.37	15.46	304.33	29.55	284.48	26.89	265.93	24.46	245.77	20.75	239.96	20.83	234.20	19.35	216.57	17.30	200.27	15.46	304.33	27.76	284.48	25.45	265.93	23.34	245.77	20.49	239.96	20.05	230.06	18.61	212.74	16.78	196.73	15.13	304.33	26.31	284.48	24.10	265.93	22.07	245.77	20.21	239.96	19.28	230.06	18.57	212.74	16.69	196.73	15.00	304.33	26.29	284.48	24.14	265.93	22.17	245.77	20.26	239.96	19.45	230.06	18.50	212.74	16.62	196.73	14.93	304.33	26.01	284.48	23.73	265.93	21.64	245.77	20.04	239.96	19.12	230.06	18.26	212.74	16.42	196.73	14.76	304.33	25.99	284.48	23.73	265.93	21.67	245.77	19.94	239.96	18.29	230.06	18.21	212.74	16.28	196.73	14.55

110%

Combination	Outdoor Ambient Temperature °F DB °C DB		Indoor Ambient Temperature °F WB(°C WB)																								
			59(15)			64(17.8)			68(20)			70(21.1)			72(22.2)			74(23.3)			75(23.9)			80(26.7)			
			TC	PI	KW	TC	PI	KW	TC	PI	KW	TC	PI	KW	TC	PI	KW	TC	PI	KW	TC	PI	KW	TC	PI	KW	
	-22	-30	90.40	25.59	84.50	24.35	78.99	23.17	73.12	20.07	71.27	21.49	68.73	20.91	64.28	19.90	60.11	18.94									
	-13	-25	183.80	42.37	171.82	41.34	160.61	40.35	146.55	30.68	144.92	38.78	139.75	38.17	130.69	37.10	122.22	36.06									
	-4	-20	213.94	41.24	199.98	40.24	186.94	39.27	168.21	29.00	168.68	37.75	162.66	37.15	152.12	36.11	142.26	35.10									
	-2.2	-19	216.95	40.16	202.80	39.20	189.57	38.25	168.72	28.75	171.06	36.77	164.95	36.18	154.26	35.17	144.26	34.18									
	4.1	-15.5	232.02	38.66	216.88	37.73	202.74	36.82	192.47	28.21	182.94	35.39	176.40	34.83	164.97	33.85	154.28	32.90									
	12	-11.1	235.03	32.55	219.70	31.77	205.37	31.00	187.39	25.87	185.31	29.80	178.69	29.33	167.12	28.51	156.29	27.71									
	13.1	-10.5	244.07	30.93	228.15	30.18	213.27	29.45	194.59	24.57	192.44	28.31	185.57	27.86	173.54	27.08	162.30	26.32									
	15	-9.4	165.96	19.12	165.96	19.96	165.96	20.84	168.55	19.35	165.96	22.19	165.96	22.65	165.96	23.54	165.96	24.47									
	18	-7.8	212.98	21.59	212.98	22.15	212.98	22.72	215.13	23.96	212.98	24.31	212.98	24.67	212.98	25.80	212.98	26.99									
	21	-6.1	215.35	21.93	214.85	22.90	214.36	23.92	217.52	24.90	214.36	25.30	215.35	25.58	215.35	26.15	215.35	26.74									
	24	-4.4	222.63	23.17	220.16	24.14	217.71	25.15	219.91	26.15	216.49	26.57	216.46	25.58	215.96	24.90	215.46	24.24									
	28	-2.2	244.38	22.95	234.41	23.97	224.84	25.04	224.69	25.94	220.05	26.29	219.95	24.78	216.95	22.61	213.99	20.64									
	32	0	252.54	24.50	247.63	25.13	242.82	25.77	229.47	25.77	225.99	25.41	221.56	23.26	215.21	20.61	209.04	18.26									
	40	4.4	274.95	24.09	263.30	24.17	252.15	24.25	234.25	24.22	232.76	23.14	225.30	21.81	214.01	19.07	203.29	16.68									
	43	6.1	301.32	24.14	281.67	23.73	263.30	23.33	240.24	20.20	237.58	20.48	229.09	20.33	214.25	17.82	200.37	15.62									
	47	8.3	301.32	29.85	281.67	27.16	263.30	24.71	243.34	20.96	237.58	21.04	231.88	19.55	214.43	17.47	198.29	15.62									
	50	10	301.32	28.04	281.67	25.71	263.30	23.57	243.34	20.70	237.58	20.25	227.78	18.80	210.64	16.95	194.78	15.28									
	53	11.7	301.32	26.57	281.67	24.34	263.30	22.29	243.34	20.42	237.58	19.47	227.78	18.76	210.64	16.86	194.78	15.15									
	56	13.3	301.32	26.55	281.67	24.38	263.30	22.39	243.34	20.47	237.58	19.65	227.78	18.69	210.64	16.79	194.78	15.08									
	57	13.9	301.32	26.27	281.67	23.97	263.30	21.86	243.34	20.24	237.58	19.31	227.78	18.45	210.64	16.58	194.78	14.90									
	60	15.6	301.32	26.25	281.67	23.97	263.30	21.89	243.34	20.14	237.58	18.47	227.78	18.39	210.64	16.44	194.78	14.70									

100%

Combination	Outdoor Ambient Temperature °C DB		Indoor Ambient Temperature °F WB(°C WB)																							
			59(15)		64(17.8)		68(20)		70(21.1)		72(22.2)		74(23.3)		75(23.9)		80(26.7)									
			TC	PI	TC	PI	TC	PI	TC	PI	TC	PI	TC	PI	TC	PI	TC	PI								
	°F DB	°C DB	KBTU	KW	KBTU	KW	KBTU	KW	KBTU	KW	KBTU	KW	KBTU	KW	KBTU	KW	KBTU	KW	KBTU	KW	KBTU	KW	KBTU	KW	KBTU	KW
	-22	-30	83.16	23.44	77.74	22.30	72.67	21.22	65.97	19.52	65.57	19.67	63.23	19.14	59.13	18.21	55.30	17.34								
	-13	-25	169.10	38.55	158.07	37.62	147.76	36.72	134.15	34.36	133.33	35.29	128.57	34.73	120.24	33.76	112.45	32.81								
	-4	-20	196.82	37.52	183.98	36.62	171.99	35.74	156.14	33.45	155.19	34.35	149.64	33.81	139.95	32.86	130.88	31.94								
	-2.2	-19	199.59	36.55	186.58	35.67	174.41	34.81	158.34	32.58	157.37	33.46	151.75	32.93	141.92	32.01	132.72	31.11								
	4.1	-15.5	213.45	35.18	199.53	34.33	186.52	33.50	169.33	31.36	168.30	32.20	162.29	31.69	151.77	30.80	141.94	29.94								
	12	-11.1	216.23	29.62	202.12	28.91	188.94	28.21	171.53	26.41	170.49	27.12	164.40	26.69	153.75	25.94	143.78	25.21								
	13.1	-10.5	224.54	28.14	209.90	27.47	196.21	26.80	178.13	25.09	177.04	25.76	170.72	25.35	159.66	24.64	149.31	23.95								
	15	-9.4	152.68	17.40	152.68	18.16	152.68	18.96	154.22	19.74	152.68	20.20	152.68	20.61	152.68	21.42	152.68	22.27								
	18	-7.8	195.94	19.65	195.94	20.16	195.94	20.68	197.92	21.80	195.94	22.13	195.94	22.45	195.94	23.48	195.94	24.56								
	21	-6.1	198.12	19.96	197.66	20.84	197.21	21.77	200.12	22.66	197.21	23.02	198.12	23.28	198.12	23.80	198.12	24.33								
	24	-4.4	204.82	21.09	202.55	21.97	200.30	22.88	202.32	23.80	199.17	24.18	199.14	23.28	198.68	22.66	198.22	22.05								
	28	-2.2	224.83	20.88	215.65	21.81	206.85	22.79	206.72	23.61	202.45	23.92	202.35	22.55	199.59	20.58	196.87	18.78								
	32	0	232.33	22.30	227.82	22.87	223.40	23.45	211.12	23.45	207.92	23.12	203.84	21.17	197.99	18.75	192.32	16.62								
	40	4.4	252.96	21.92	242.24	21.99	231.98	22.07	215.51	22.04	214.14	21.05	207.28	19.85	196.89	17.36	187.03	15.18								
	43	6.1	277.21	21.97	259.13	21.59	242.23	21.23	219.91	19.57	218.57	18.64	210.77	18.50	197.11	16.22	184.34	14.21								
	47	8.3	277.21	27.16	259.13	24.71	242.23	22.49	223.87	19.07	218.57	19.15	213.33	17.79	197.28	15.90	182.43	14.21								
	50	10	277.21	25.51	259.13	23.39	242.23	21.45	223.87	18.83	218.57	18.43	209.56	17.10	193.79	15.42	179.20	13.91								
	53	11.7	277.21	24.18	259.13	22.15	242.23	20.29	223.87	18.58	218.57	17.72	209.56	17.07	193.79	15.34	179.20	13.79								
	56	13.3	277.21	24.16	259.13	22.19	242.23	20.38	223.87	18.63	218.57	17.88	209.56	17.01	193.79	15.28	179.20	13.73								
	57	13.9	277.21	23.91	259.13	21.81	242.23	19.90	223.87	18.42	218.57	17.57	209.56	16.79	193.79	15.09	179.20	13.56								
	60	15.6	277.21	23.89	259.13	21.81	242.23	19.92	223.87	18.33	218.57	16.81	209.56	16.74	193.79	14.96	179.20	13.37								

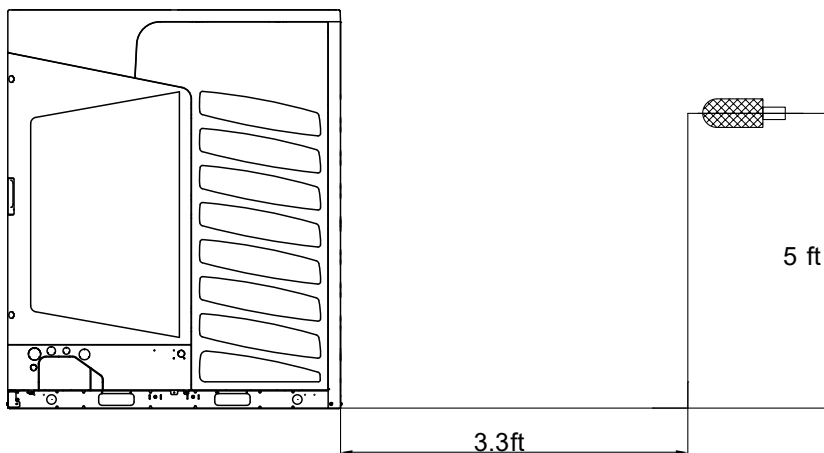
Combination	Outdoor Ambient Temperature °C DB		Indoor Ambient Temperature °F WB(°C WB)																																																																																																																																																																																																																																																																																																																																																																																								
			59(15)			64(17.8)			68(20)			70(21.1)			72(22.2)			74(23.3)			75(23.9)			80(26.7)																																																																																																																																																																																																																																																																																																																																																																			
			TC	PI	KW	TC	PI	KW	TC	PI	KW	TC	PI	KW	TC	PI	KW	TC	PI	KW	TC	PI	KW	TC	PI	KW																																																																																																																																																																																																																																																																																																																																																																	
	-22	-30	63.28	17.92	17.04	59.15	17.04	55.29	16.22	50.20	14.92	49.89	15.04	48.11	14.64	44.99	13.93	13.26	-13	-25	128.66	29.66	28.94	120.27	28.94	112.43	28.24	102.07	26.43	101.45	27.15	97.82	26.72	91.48	25.97	85.56	25.24	-4	-20	149.76	28.87	139.99	28.17	130.86	27.49	118.80	25.73	118.08	26.42	113.86	26.00	106.48	25.28	99.58	24.57	-2.2	-19	151.86	28.12	141.96	27.44	132.70	26.78	120.47	25.06	119.74	25.74	115.46	25.33	107.98	24.62	100.99	23.93	4.1	-15.5	162.41	27.06	151.82	26.41	141.92	25.77	128.84	24.12	128.06	24.77	123.48	24.38	115.48	23.70	108.00	23.03	12	-11.1	164.52	22.79	153.79	22.24	143.76	21.70	130.51	20.31	129.72	20.86	125.09	20.53	116.98	19.95	109.40	19.40	13.1	-10.5	170.85	21.65	159.71	21.13	149.29	20.62	135.53	19.30	134.71	19.82	129.90	19.50	121.48	18.96	113.61	18.43	15	-9.4	116.17	13.38	116.17	13.97	116.17	14.59	117.34	15.19	116.17	15.54	116.17	15.86	116.17	16.48	116.17	17.13	18	-7.8	149.09	15.11	149.09	15.51	149.09	15.91	150.59	16.77	149.09	17.02	149.09	17.27	149.09	18.06	149.09	18.89	21	-6.1	150.74	15.35	150.40	16.03	150.05	16.74	152.27	17.43	150.05	17.71	150.74	17.90	150.74	18.31	150.74	18.72	24	-4.4	155.84	16.22	154.11	16.90	152.40	17.60	153.94	18.31	151.54	18.60	151.52	17.90	151.17	17.43	150.82	16.97	28	-2.2	171.07	16.06	164.08	16.78	157.39	17.53	157.29	18.16	154.04	18.40	153.96	17.34	151.86	15.83	149.79	14.45	32	0	176.78	17.15	173.34	17.59	169.98	18.04	160.63	18.04	158.20	17.78	155.09	16.28	150.65	14.43	146.33	12.78	40	4.4	192.47	16.86	184.31	16.92	176.51	16.98	163.98	16.95	162.93	16.20	157.71	15.27	149.81	13.35	142.30	11.68	43	6.1	210.92	16.90	197.17	16.61	184.31	16.33	167.32	15.05	166.31	14.33	160.37	14.23	149.98	12.47	140.26	10.93	47	8.3	210.92	20.89	197.17	19.01	184.31	17.30	170.34	14.67	166.31	14.73	162.32	13.68	150.10	12.23	138.80	10.93	50	10	210.92	19.63	197.17	18.00	184.31	16.50	170.34	14.49	166.31	14.17	159.45	13.16	147.45	11.86	136.35	10.70	53	11.7	210.92	18.60	197.17	17.04	184.31	15.60	170.34	14.29	166.31	13.63	159.45	13.13	147.45	11.80	136.35	10.61	56	13.3	210.92	18.59	197.17	17.07	184.31	15.67	170.34	14.33	166.31	13.75	159.45	13.08	147.45	11.75	136.35	10.56	57	13.9	210.92	18.39	197.17	16.78	184.31	15.30	170.34	14.17	166.31	13.52	159.45	12.91	147.45	11.61	136.35	10.43	60	15.6	210.92	18.38	197.17	16.78	184.31	15.32	170.34	14.10	166.31	12.93	159.45	12.88	147.45	11.51	136.35	10.29

Combination	Outdoor Ambient Temperature		Indoor Ambient Temperature °F WB(°C WB)																																																																																																																																																																																																																																																																																																																																																																																									
			59(15)						64(17.8)						68(20)						70(21.1)						72(22.2)						74(23.3)						75(23.9)						80(26.7)																																																																																																																																																																																																																																																																																																																																															
			TC	PI	KBTU	KW	TC	PI	KBTU	KW	TC	PI	KBTU	KW	TC	PI	KBTU	KW	TC	PI	KBTU	KW	TC	PI	KBTU	KW	TC	PI	KBTU	KW	TC	PI	KBTU	KW	TC	PI	KBTU	KW																																																																																																																																																																																																																																																																																																																																																						
	°F DB	°C DB	-22	-30	56.95	16.02	53.24	15.24	49.76	14.50	45.18	13.34	44.90	13.44	43.30	13.08	40.49	12.44	37.87	11.84	-13	-25	115.80	26.27	108.24	25.63	101.19	25.02	91.86	23.41	91.30	24.04	88.04	23.66	82.34	23.00	77.00	22.36	-4	-20	134.78	25.57	125.99	24.95	117.77	24.35	106.92	22.79	106.27	23.40	102.47	23.03	95.83	22.39	89.62	21.76	-2.2	-19	136.68	24.90	127.76	24.30	119.43	23.72	108.43	22.20	107.77	22.79	103.92	22.43	97.18	21.81	90.89	21.19	4.1	-15.5	146.17	23.97	136.64	23.39	127.73	22.83	115.96	21.36	115.25	21.94	111.13	21.59	103.93	20.99	97.20	20.40	12	-11.1	148.07	20.18	138.41	19.70	129.38	19.22	117.46	17.99	116.75	18.48	112.58	18.18	105.28	17.67	98.46	17.18	13.1	-10.5	153.76	19.17	143.73	18.71	134.36	18.26	121.98	17.09	121.24	17.55	116.91	17.27	109.33	16.79	102.25	16.32	15	-9.4	104.55	11.85	104.55	12.37	104.55	12.92	105.61	13.45	104.55	13.76	104.55	14.04	104.55	14.60	104.55	15.17	18	-7.8	134.18	13.39	134.18	13.73	134.18	14.09	135.53	14.85	134.18	15.07	134.18	15.30	134.18	16.00	134.18	16.73	21	-6.1	135.67	13.60	135.36	14.20	135.04	14.83	137.04	15.44	135.04	15.68	135.67	15.86	135.67	16.21	135.67	16.58	24	-4.4	140.26	14.37	138.70	14.97	137.16	15.59	138.55	16.21	136.39	16.48	136.37	15.86	136.05	15.44	135.74	15.03	28	-2.2	153.96	14.23	147.68	14.86	141.65	15.53	141.56	16.09	138.63	16.30	138.57	15.36	136.68	14.02	134.81	12.80	32	0	159.10	15.19	156.01	15.58	152.98	15.98	144.57	15.98	142.38	15.75	139.58	14.42	135.58	12.78	131.70	11.32	40	4.4	173.22	14.93	165.88	14.98	158.86	15.04	147.58	15.01	146.64	14.34	141.94	13.52	134.83	11.83	128.07	10.34	43	6.1	189.83	14.97	177.45	14.71	165.88	14.46	150.59	13.33	149.68	12.70	144.33	12.60	134.98	11.05	126.23	9.68	47	8.3	189.83	18.50	177.45	16.84	165.88	15.32	153.30	12.99	149.68	13.04	146.09	12.12	135.09	10.83	124.92	9.68	50	10	189.83	17.38	177.45	15.94	165.88	14.61	153.30	12.83	149.68	12.55	143.50	11.65	132.70	10.51	122.71	9.47	53	11.7	189.83	16.48	177.45	15.09	165.88	13.82	153.30	12.66	149.68	12.07	143.50	11.63	132.70	10.45	122.71	9.39	56	13.3	189.83	16.46	177.45	15.12	165.88	13.88	153.30	12.69	149.68	12.18	143.50	11.59	132.70	10.41	122.71	9.35	57	13.9	189.83	16.29	177.45	14.86	165.88	13.56	153.30	12.55	149.68	11.97	143.50	11.44	132.70	10.28	122.71	9.24	60	15.6	189.83	16.28	177.45	14.86	165.88	13.57	153.30	12.49	149.68	11.45	143.50	11.40	132.70	10.19	122.71	9.11

Combination	Outdoor Ambient Temperature °C DB		Indoor Ambient Temperature °F WB(°C WB)																																																																																																																																																																																																																																																																																																																																																																																							
			59(15)			64(17.8)			68(20)			70(21.1)			72(22.2)			74(23.3)			75(23.9)			80(26.7)																																																																																																																																																																																																																																																																																																																																																																		
			TC	PI	KW	TC	PI	KW	TC	PI	KW	TC	PI	KW	TC	PI	KW	TC	PI	KW	TC	PI	KW	TC	PI	KW																																																																																																																																																																																																																																																																																																																																																																
	-22	-30	48.81	14.95	45.63	14.25	42.65	13.59	38.72	12.52	38.49	12.64	37.11	12.31	34.71	11.74	32.46	11.19	-13	-25	99.25	27.54	92.78	26.87	86.73	26.23	78.74	24.55	78.26	25.21	75.46	24.81	70.57	24.11	66.00	23.44	-4	-20	115.53	26.80	107.99	26.16	100.95	25.53	91.65	23.89	91.09	24.53	87.83	24.15	82.14	23.47	76.82	22.81	-2.2	-19	117.15	26.11	109.51	25.48	102.37	24.86	92.94	23.27	92.37	23.90	89.07	23.52	83.30	22.86	77.90	22.22	4.1	-15.5	125.29	25.13	117.12	24.52	109.48	23.93	99.39	22.40	98.79	23.00	95.26	22.64	89.09	22.00	83.31	21.39	12	-11.1	126.92	21.16	118.64	20.65	110.90	20.15	100.68	18.86	100.07	19.37	96.49	19.06	90.24	18.53	84.39	18.01	13.1	-10.5	131.80	20.10	123.20	19.62	115.17	19.15	104.55	17.92	103.92	18.40	100.21	18.11	93.71	17.60	87.64	17.11	15	-9.4	89.62	12.43	89.62	12.97	89.62	13.54	90.52	14.10	89.62	14.43	89.62	14.72	89.62	15.30	89.62	15.90	18	-7.8	115.01	14.04	115.01	14.40	115.01	14.77	116.17	15.57	115.01	15.80	115.01	16.04	115.01	16.77	115.01	17.54	21	-6.1	116.29	14.26	116.02	14.89	115.75	15.55	117.46	16.18	115.75	16.44	116.29	16.63	116.29	17.00	116.29	17.38	24	-4.4	120.22	15.06	118.89	15.69	117.57	16.34	118.75	17.00	116.90	17.27	116.89	16.63	116.62	16.18	116.35	15.75	28	-2.2	131.97	14.91	126.58	15.58	121.41	16.28	121.33	16.86	118.83	17.09	118.77	16.10	117.15	14.70	115.55	13.42	32	0	136.37	15.93	133.72	16.33	131.13	16.75	123.92	16.75	122.04	16.51	119.64	15.12	116.21	13.40	112.88	11.87	40	4.4	148.47	15.66	142.18	15.71	136.16	15.76	126.50	15.74	125.69	15.04	121.66	14.18	115.57	12.40	109.78	10.84	43	6.1	162.71	15.69	152.10	15.42	142.18	15.16	129.08	13.98	128.29	13.31	123.71	13.21	115.70	11.58	108.20	10.15	47	8.3	162.71	19.40	152.10	17.65	142.18	16.06	131.40	13.62	128.29	13.68	125.22	12.70	115.79	11.36	107.08	10.15	50	10	162.71	18.22	152.10	16.71	142.18	15.32	131.40	13.45	128.29	13.16	123.00	12.22	113.74	11.02	105.18	9.93	53	11.7	162.71	17.27	152.10	15.82	142.18	14.49	131.40	13.27	128.29	12.66	123.00	12.19	113.74	10.96	105.18	9.85	56	13.3	162.71	17.26	152.10	15.85	142.18	14.55	131.40	13.30	128.29	12.77	123.00	12.15	113.74	10.91	105.18	9.80	57	13.9	162.71	17.08	152.10	15.58	142.18	14.21	131.40	13.16	128.29	12.55	123.00	11.99	113.74	10.78	105.18	9.69	60	15.6	162.71	17.06	152.10	15.58	142.18	14.23	131.40	13.09	128.29	12.01	123.00	11.96	113.74	10.69	105.18	9.55

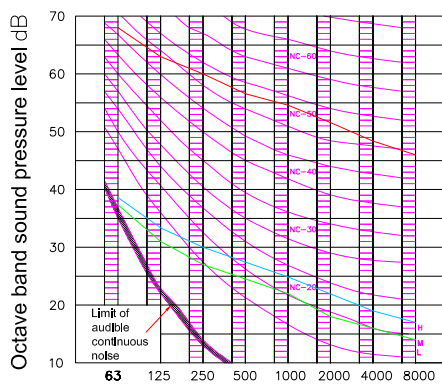
12. Sound Levels (Reference Data)

- (1) Testing
- (2) Testing conditions:
 - a. Unit running in the nominal condition
 - b. Test in the semi-anechoic chamber
 - c. Noise level varies from the actual factors such as room structure, etc



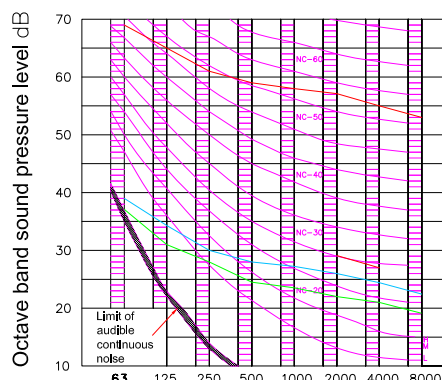
Octave band level

MVHR072ME2CA



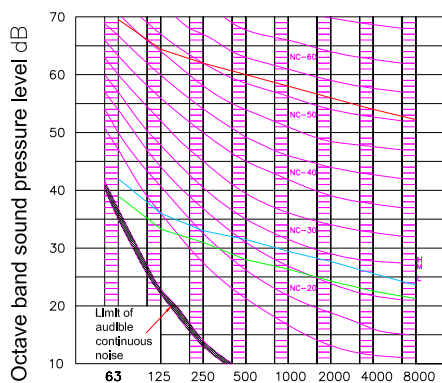
Octave band center frequency (HZ)

MVHR096ME2CA



Octave band center frequency (HZ)

MVHR144/168/192/216/240ME2CA



Octave band center frequency (HZ)

13. Optional Accessories

Branch pipe dimension

3-pipe system

FQG-R335A FQG-R506A FQG-R730A FQG-R1350A FQG-R2040A

Note: Cut off the pipe from its middle when using.

Unit: in. , ID: inner diameter, OD: outer diameter

	Suction gas branch pipe	HP gas branch pipe	Liquid branch pipe	Suction gas manifold pipe	HP gas manifold pipe	Liquid manifold pipe
FQG-R335A						
FQG-R506A						
FQG-R730A						
FQG-R1350A						
FQG-R2040A						

Unit: in. ; ID: inner diameter;

Model	Gas side branch pipe	Liquid side branch pipe	Gas side connection of branch pipe	Liquid side connection of branch pipe
FQG-B335A				
FQG-B506A				
FQG-B730A				

Model	Gas side branch pipe	Liquid side branch pipe	Gas side connection of branch pipe	Liquid side connection of branch pipe
FQG-B1350A				
FQG-B2040A				

Gather pipe dimension

Gather pipe is used for combination of outdoor unit. HZG-R20B (for 2 basic modules), HZG-R30B (for 3 basic modules).

Note: Cut off the pipe from its middle when using.

Unit: in., ID: inner diameter, OD: outer diameter

Model	Side	Mark	Manifold pipe	Insulation material	Side	Mark	Connection of manifold pipe
HZG-R20B	Suction gas side	A			Suction gas side	1	
	HP gas side	B			HP gas side	2	
	Liquid side	C			Liquid side	3	

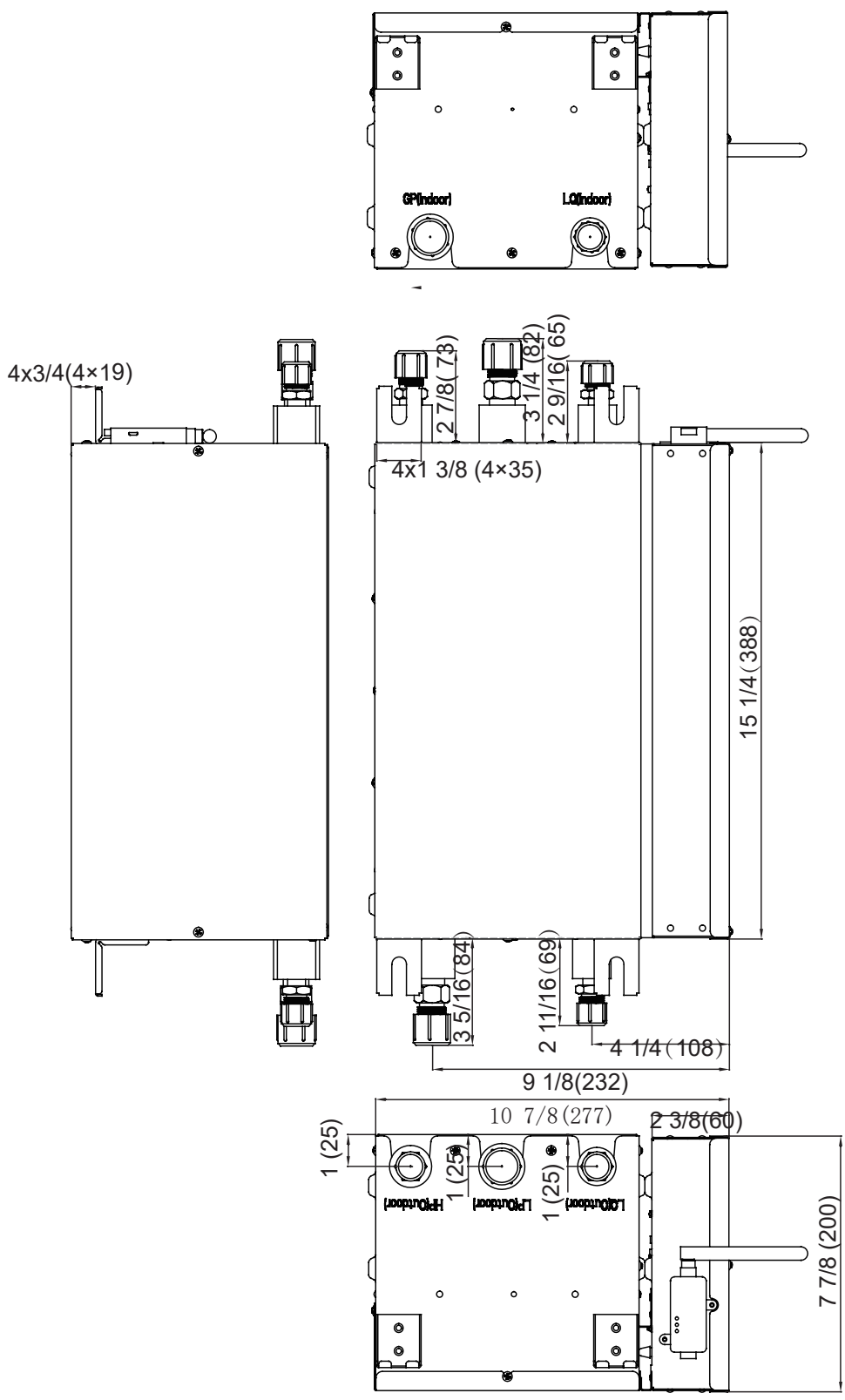
Model	Side	Mark	Manifold pipe	Insulation material	Side	Mark	Connection of manifold pipe
HZG-R30B	Suction gas side	D			Suction gas side	4	
		E				5	
		F				6	
	HP gas side	G			7		
		Liquid side	H			8	
			I			9	

Single way valve box

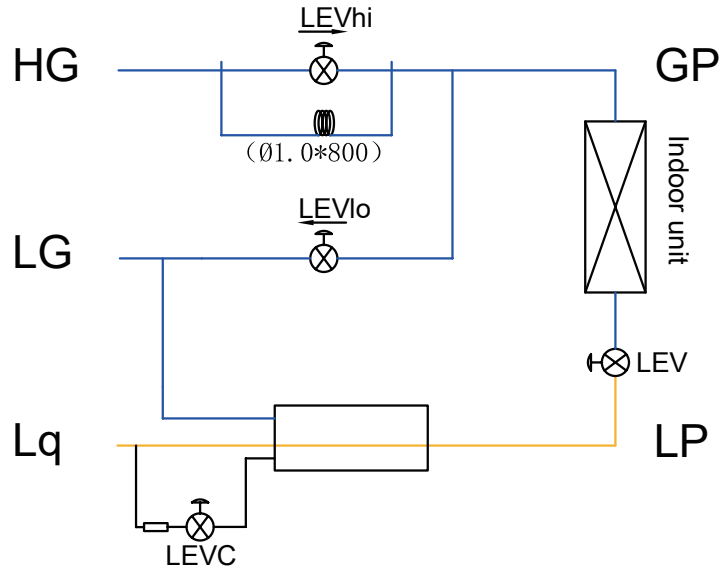
Specification

Model		VP1-112B	VP1-180B	VP1-280B
Power Supply		1/220-230/50/60		
Max. Number of branch lines		1	1	1
Branching Number of Connectable Indoor Units		5	8	8
Total Number of Connectable Indoor Units		5	8	8
Branching Capacity of Connectable Indoor Units	kBtu/h(kW)	x≤38 (x≤11.2)	38 K < x ≤ 61 (11.2<x≤18)	61< x ≤95 (18<x≤28)
Total Capacity of Connectable Indoor Units	kBtu/h(kW)	x≤38 (x≤11.2)	38 K < x ≤ 61 (11.2<x≤18)	61< x ≤95 (18<x≤28)
Dimension (W×H×D)	in.(mm)	23.94*13.39*10.67 (388×277×200)	23.94*13.39*10.67 (388×277×200)	23.94*13.39*10.67 (388×277×200)
Net/Gross weight	kg	8.6/10.8	8.6/10.9	9.3/12
Liquid Pipe-Connect To Outdoor Unit	inch.(mm)	3/8 (9.52)	3/8 (9.52)	3/8 (9.52)
Gas Pipe-Connect To Outdoor Unit	inch.(mm)	5/8 (15.88)	5/8 (15.88)	7/8 (22.22)
High Pressure Gas Pipe-Connect To Outdoor Unit	inch.(mm)	1/2 (12.7)	5/8 (15.88)	3/4 (19.05)
Liquid Pipe-Connect To Indoor Unit	inch.(mm)	3/8 (9.52)	3/8 (9.52)	3/8 (9.52)
Gas Pipe-Connect To Indoor Unit	inch.(mm)	5/8 (15.88)	5/8 (15.88)	7/8 (22.22)

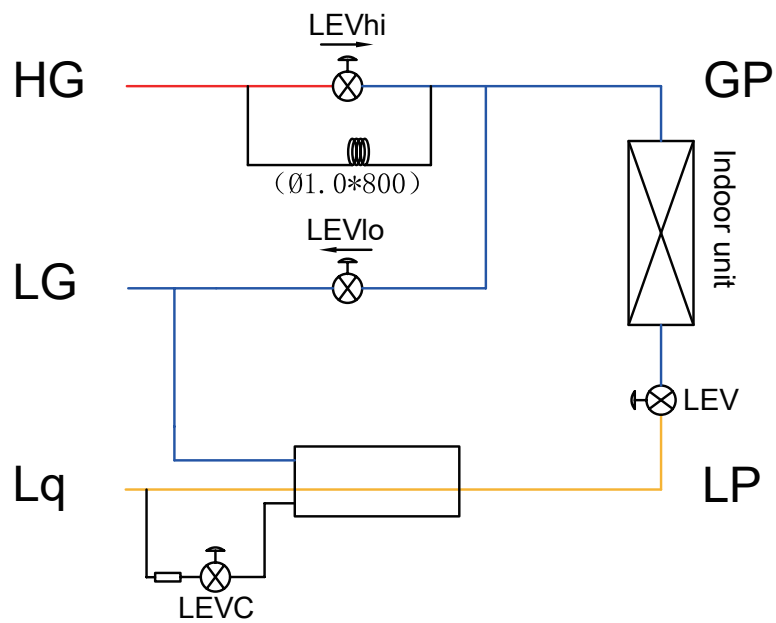
Dimension



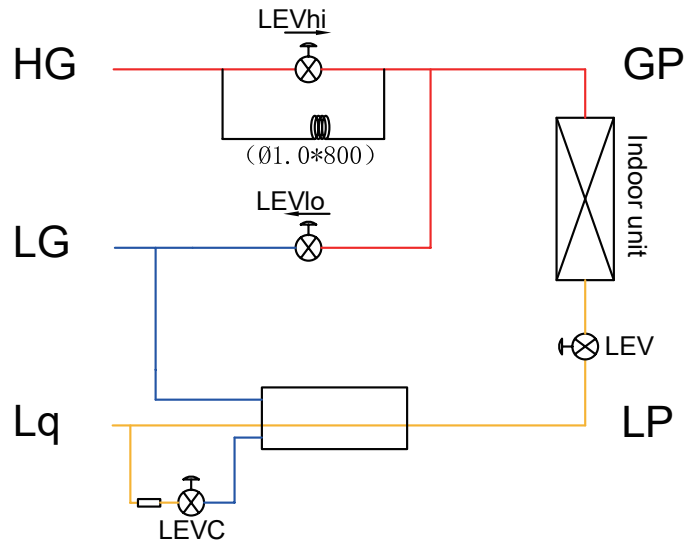
All cooling



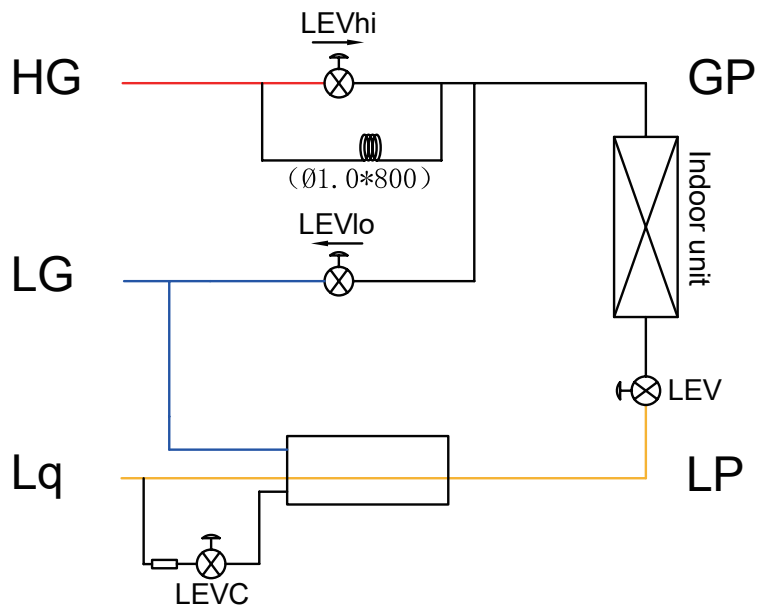
Cooling > Heating



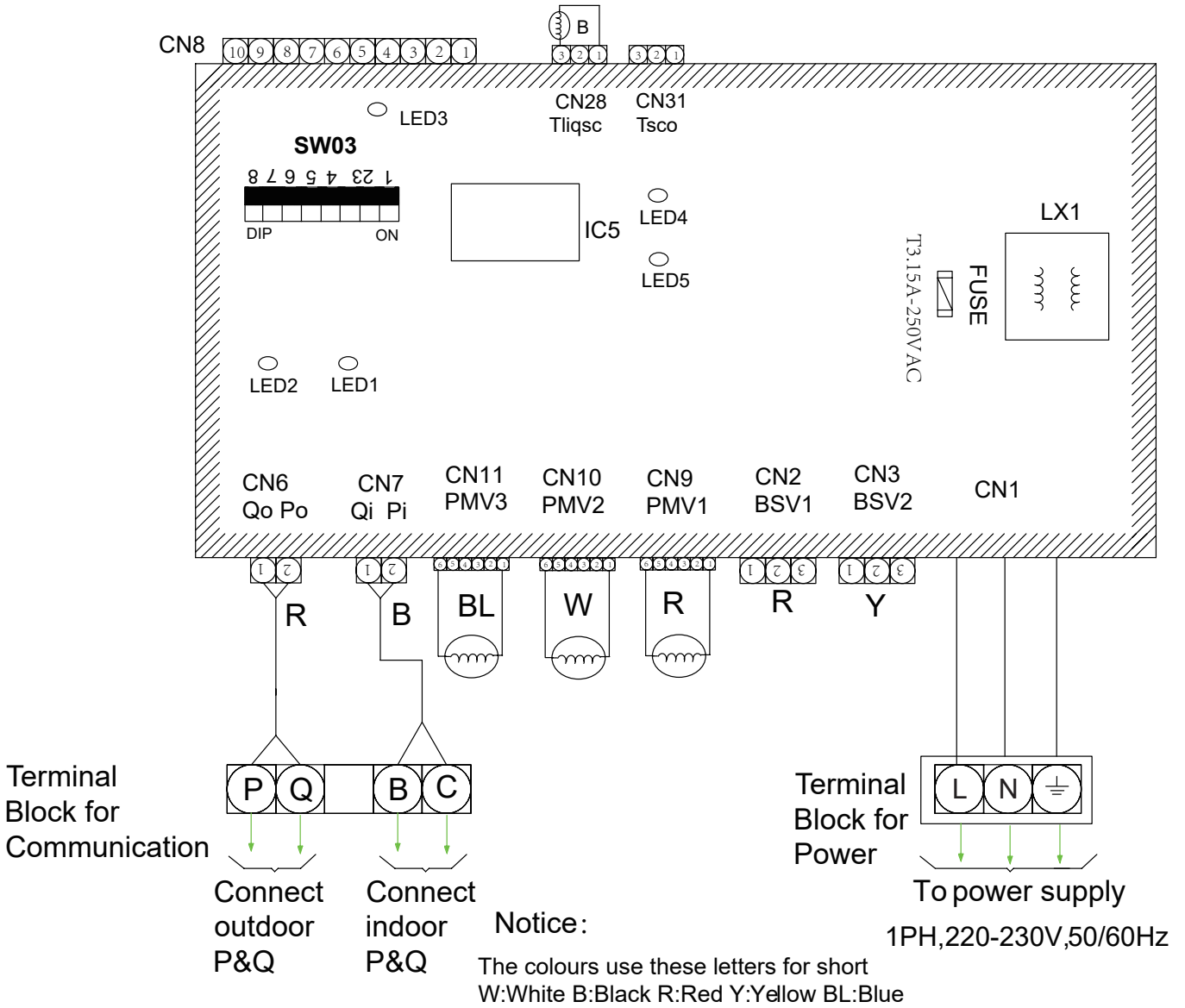
All heating / Heating > Cooling / Heating standby



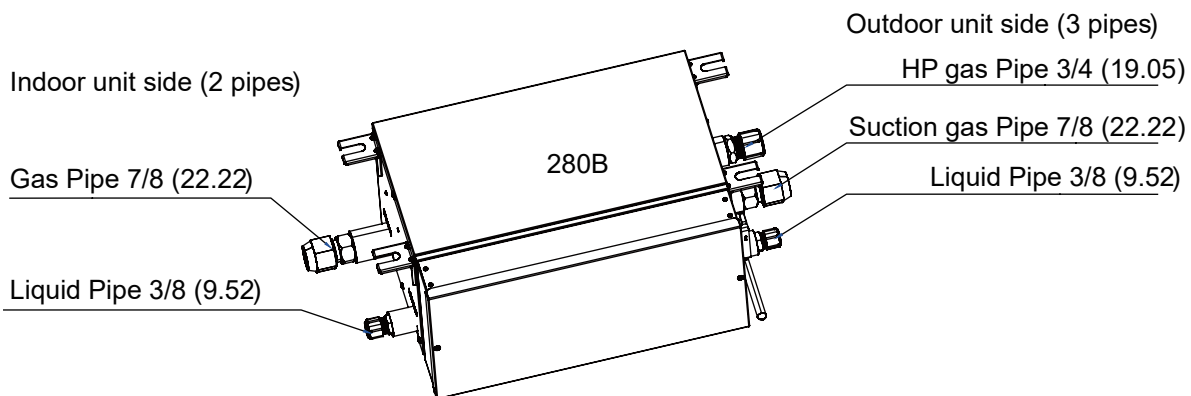
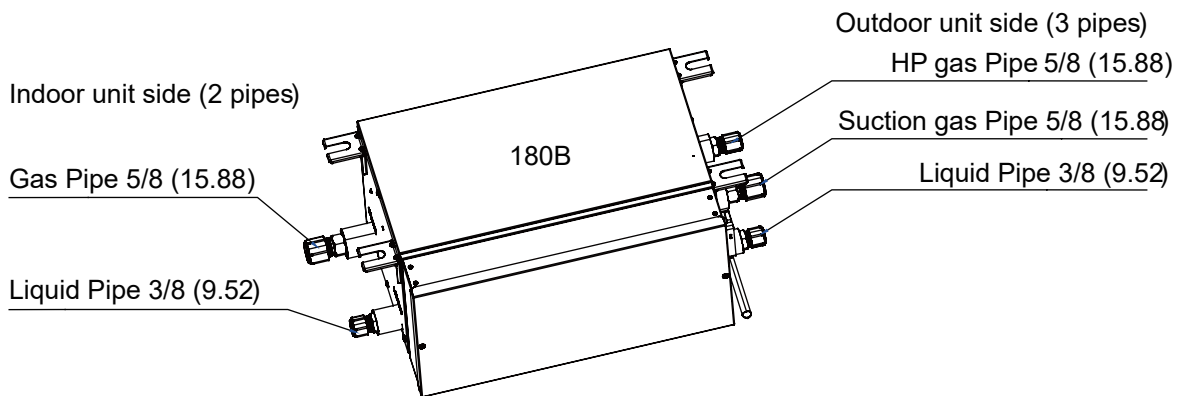
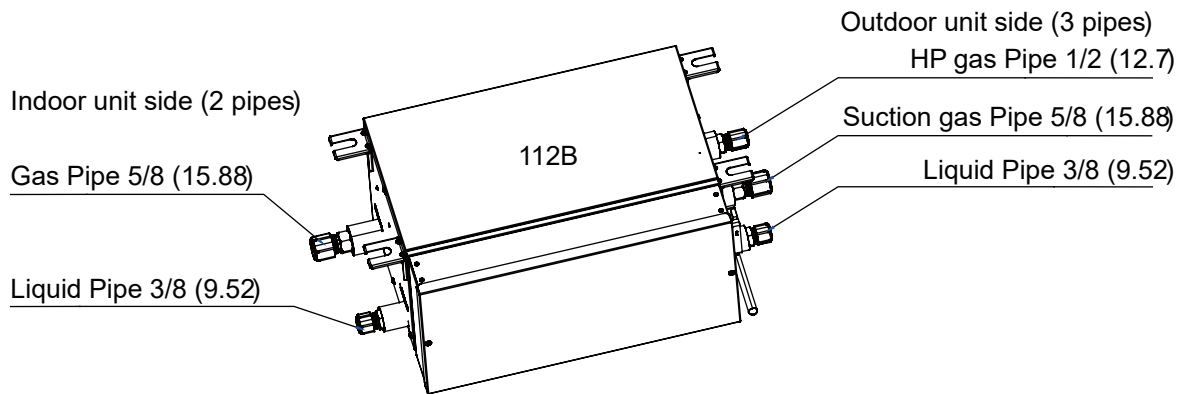
Cooling OFF



Wiring Diagram



Wiring Diagram



- If the valve box is transferred to a new user, this manual shall be transferred to the user, together with the conditioner.
- Before installation, be sure to read Safety Considerations in this manual for proper installation.
- The safety considerations stated below is divided into “⚠Warning” and “⚠ Attention”. The matters on severe accidents caused from wrong installation, which is likely to lead to death or serious injury, are listed in “⚠ Warning”. However, the matters listed in “⚠ Attention” are also likely cause the severe accidents. In general, both of them are the important items related to the security, which should be strictly abided by.
- After the installation, perform test run to make sure everything is in normal conditions, and then operate and maintain the valve box in accordance with the user manual. The user manual should be delivered to the user for proper keeping.

⚠Warning

- Please ask the special maintenance station for installation and repair. Water leakage, electric shocks or fire accidents might be caused from improper installation if you conduct the installation by your own.
- The installation should be conducted properly according to this manual. Water leakage, electric shocks or fire accidents might be caused from improper installation.
- Please make sure to install the valve box on the place where can bear the weight of the valve box. The valve box can't be installed on the grids such as the non-special metal burglar-proof net. The place with insufficient support strength might cause the dropdown of the machine, which may lead to personal injuries.
- The installation should be ensured against typhoons and earthquakes, etc. The installation uncomformable to the requirements will lead to accidents due to the turnover of the machine.
- Specific cables should be used for reliable connections of the wirings. Please fix the terminal connections reliably to avoid the outside force applied on the cables from being impressed on the cables. Improper connections and fixings might lead to such accidents as heating or fire accidents.
- Correct shapes of wirings should be kept while the embossed shape is not allowed. The wirings should be reliably connected to avoid the cover and the plate of the electrical cabinet clipping the wiring. Improper installation might cause such accidents as heating or fire accidents.
- While placing or reinstalling the valve box, except the specific refrigerant (R410A), don't let the air go into the refrigeration cycle system. The air in the refrigeration cycle system might lead to the cracking or personal injuries due to abnormal high pressure of the refrigeration cycle system.
- During installation, please use the accompanied spare parts or specific parts. If not, water leakage, electric shocks, fire accidents or refrigerant leakage might be caused.
- During installation, if refrigerant leakage occurs, ventilation measures should be taken, for the refrigerant gas might generate harmful gases upon contacting the flame.
- After installation, check if any refrigerant leakage exists. If the refrigerant gas leaks in the room, such things as air blowing heaters and stoves, etc. may generate harmful gases.
- Don't install the valve box at the places where the flammable gases may leak. In case the gas leakage occurs around the machine, such accidents as fire disasters may be caused.
- The refrigerant gas pipe, HP gas pipe and liquid pipe should be heat insulated to preserve heat. For inappropriate heat insulation, the water caused from the condensation will drop to get the article at home wet.
- The electrical construction shall be implemented by the correspondingly qualified personnel in accordance with electrical construction standards, local electrical laws as well as specifications. Moreover, dedicated circuit must be used, rather than the wire pin. Insufficient capacity of the wire circuit and unprepared construction (if any) may cause electric shock, fires, etc.
- During the process of grounding, the ground wire cannot be connected to the gas pipe, water pipe, lightning rod and ground wire of the telephone. Incomplete grounding may cause electric shock, fires, etc.
- Install residual-current circuit breaker, or electric shock, fires, etc. will occur.
- When contacting electrical components, ensure they are powered off. Contacting the live part may result in the danger of electric shock.

- If there is leakage of the refrigerant gas flow during operation, refrigerant gas is required. If the refrigerant gas contacts any fire, poisonous gases will be produced.
- If the supply cord is damaged, it must be replaced by the manufacturer, its service agent or similarly qualified persons in order to avoid a hazard.
- This appliance can be used by children aged from 8 years and above and persons with reduced physical, sensory or mental capabilities or lack of experience and knowledge if they have been given supervision or instruction concerning use of the appliance in a safe way and understand the hazards involved. Children shall not play with the appliance. Cleaning and user maintenance shall not be made by children without supervision.
- This appliance is intended to be used by expert or trained users in shops, in light industry and on farms, or for commercial use by lay persons.
- We recommend that the appliances be installed properly by qualified installation technicians in accordance with the installation instructions provided with the unit.

⚠ Attention

- The valve box should be effectively grounded. Electric shocks may occur if the valve box is ungrounded or inappropriately grounded. The wire for earthing shouldn't be connected to the connections on the gas pipe, water pipe, lightning rod or telephone.
- The breaker for electricity leakage should be mounted. If not, accidents such as electric shocks may happen.
- The installed valve box should be checked for electricity leakage by being powered.
- After installation, all cassette concealed valve boxes should be trial-tested. After the proper operation of the machine, other fitments can be made.
- When installing the valve box, please fix the box and connecting pipes in an efficient way to avoid shaking when changing valve box.
- If the ambient humidity bigger than 80%, when the water discharge hole be blocked or the filter becomes dirty, or airflow speed change, there maybe leads to condensing water drop down, and at the same time there maybe some drops of water spit out.
- Keep the valve box, power supply wiring, conductor, etc. at least 1 m away from the TV and radio to avoid image interference and noise. However, sometimes there is still noise when the distance is over 1 m due to the different states of radio waves.
- Try to install valve box where the fluorescent lamp is far away.
- When wireless devices are being installed, the distance that the signal from the controller will reach may be shortened in a room with a fluorescent lamp that is turned on in an electric way (frequency conversion or rapid start).
- Please install the valve box in places where noise will not influence the customers too much (such as washroom, passageway, warehouse, equipment room, etc.). Places with high requirement for quiet are not suggested for installation, such as bedroom, drawing room, meeting room, office, etc.
- When starting up, stop, defrosting, and oil-returning in heating mode, the electronic expansion valve will switch and cause noise. This kind of noise is normal for the switching of valve box.

🚫 Prohibitions

- Do not use components other than the fuse of proper capacity, such as metal wire and copper wire, which will cause fires and other faults if used instead of the fuse.
- When doing the cleaning and maintenance, make sure that the operation has been stopped and the manual power switch is in the off position.
- Do not use appliances such as water heater near the valve box. Using appliances producing steam near the valve box may lead to accidents such as water leakage, electric leakage and short circuit when the cooling system is in operation.
- Two-generation valve boxes VP1-*A and VP1-*B can't be mixed used in one system.

Do not install at such places

1. A place that is filled with mineral oil, a kitchen which has oil and steam everywhere, etc., which may cause degradation, falling off and water leakage of the resinous components.
2. A place with corrosive gases such as sulphurous acid gas, which will lead to the corrosion of the copper tube, welding joint, etc., causing refrigerant leakage.
3. A place where machines give out electromagnetic waves, which will lead to abnormality and improper function of the control system.
4. A place with possible leakage of combustible gases, floating of carbon fiber and combustible dust and use of volatile combustible substances such as diluents, the accumulation of which around the machine set will lead to fires.
5. A place where small animals inhabit, whose contacting the inner electrical components may cause faults, smoking, outbreak of a fire, etc.
6. A coastal place with high salinity and a place with great variation in voltage such as a factory, which may cause faults to vehicles and ships.







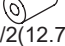
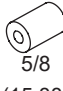


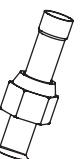


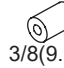


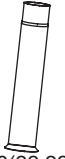
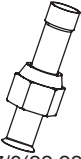



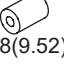

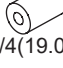

Attention item

Install after making sure that the type of the refrigerant used is R410A. If any other type of refrigerant is used, the machine cannot run.

- Before and after the unpacking, if valve box is to be moved, the hoisting handles (totally 4) shall be held firmly. Do not apply force to other parts, especially a refrigerant tube and an electrical cabinet.
- Concerning the installation of the outdoor and indoor units, refer to the installation specification of each unit.

Accessories

Confirm that the accessories below are packed together.

112B	Auxiliary pipe			Wiring harness		Insulation tube			Nut	Specification	
Quantity	1	1	1	6	9	2	1	2	5	1	
Shape	①-1 1/4(6.35)  3/8(9.52)	①-2 3/8(9.52)  5/8(15.88)	①-3 1/2(12.7)  5/8(15.88)			 3/8 (9.52)	 1/2(12.7)	 5/8 (15.88)			
180B	Auxiliary pipe			Wiring harness		Insulation tube			Nut	Specification	
Quantity	1	2		6	9	2	3		4	1	
Shape	①-1 1/2  5/8(15.88)	①-2 Ø19.2  3/8(9.52)				 3/8(9.52)	 5/8(15.88)				
280B	Auxiliary pipe			Wiring harness		Insulation tube			Nut	Specification	
Quantity	2	2	1	1	6	9	2	2	1	3	1
Shape	①-1 3/4(19.2)  7/8(22.22)	①-2 7/8(22.4)  7/8(22.22)	①-3 5/8(16.1)  3/4(19.05)				 3/8(9.52)	 7/8(22.22)	 3/4(19.05)		

<Entrustment> Before the installation is completed, do not abandon the accessories needed in installation.

Combinations

This series is cooling and heating heat recovery models. Only when the system is equipped with valve box, indoor units under different valve boxes can achieve cooling and heating simultaneously. The modes of the indoors which under the same valve box should be the same. If the indoors connected without valve box, the indoors only can do cooling mode. Do not connect the valve box to the common multi-split system, as the former is dedicated to the cooling & heating multi-split system.

Concerning the model of the connectible indoor unit, see the sample brochure, etc. for confirmation.

Concerning the total capacity of the indoor unit connected at the downstream of the valve box (the total selected capacity of the models), select in Table 1 according to the quantity (refer to Table 2 for the selected capacity of the model of each indoor unit)

Table1: Total capacity of indoor unit:

Valve box	Total capacity of indoor unit kBTu/h (kW)	Quantity of indoor unit
112B	$x \leq 38$ ($x \leq 11.2$)	Less than 5
180B	$38 < x \leq 61$ ($11.2 < x \leq 18$)	Less than 8
280B	$61 < x \leq 95$ ($18 < x \leq 28$)	Less than 8

Table 2: Capacity measure and selected capacity of the model of indoor unit

Capacity measure	072	092	122	162	182	242	282	302	382	482	722	962
selected capacity kBTu/h (kW)	7 (2.2)	9 (2.8)	12 (3.6)	16 (4.5)	18 (5.6)	24 (7.0)	28 (8.0)	30 (9.0)	38 (11.2)	48 (14.0)	72 (22.6)	96 (28)

Inspection item

Pay much attention to the following during installation. Check them again after completion.

(1) Inspection items after installation

Inspection item	Defect	Inspection column
If the installation of valve box is secure ?	Falling off, vibration and noise	
If gas leakage inspection is completed ?	No heating/cooling	
If complete insulation is achieved (refrigerant piping and tubing connections) ?	Water leakage	
If the voltage of the power supply is consistent with that on the nameplate ?	Out of service, burnt	
If there is improper wiring or piping ?	Out of service, burnt	
If there is construction without grounding ?	Danger in electric leakage	
If the thickness of the wire is as specified ?	Out of service, burnt	

(2) Inspection upon delivery

Inspection item	Inspection column
If the electric box cover is installed	
If the installation specification is transferred to the customer	

1. Pre-installation

The installation location selected shall meet the following conditions and be approved by users.

- The strength shall be sufficient to withstand the weight of the valve box
- There is no significant tilt on the plane.
- Ensure that there is enough space for installation and maintenance.as show in Fig.1
- There is space for inspection on the side and top of the electric box
- The length of piping between the indoor and outdoor units shall be within the permissible range (referring to the specification attached to the outdoor unit).
- Please install the valve box in places where noise will not influence the customers too much (such as washroom, passageway, warehouse, equipment room, etc.). Places with high requirement for quiet are not suggested for installation, such as bedroom, drawing room, meeting room, office, etc.

Note:

- the electrical box can be changed as show in 3 valve box installation.
- When starting up, stop, defrosting, and oil-returning in heating mode , the electronic expansion valve will veer and create noise. This kind of noise is normal for the running of valve box.
- A noise may be emitted by the valve box as aresult of control during operation or stopping of an indoor unit. If it is installed in the ceiling where it is exposed, take adequate precautions with the installation location.

<Notice item>

- Inspect whether the installation location can sufficiently withstand the weight of valve box and set the hoisting bolts by reinforcing the beam if necessary. Use hoisting bolts in installation (referring to 2 for the preparation before installation).
- Install the power wiring and power line of the valve box at more than 1 m away from TV and radio to prevent the image clutter and noise. But, there may be noise even if it is more than 1 m according to the different waves.

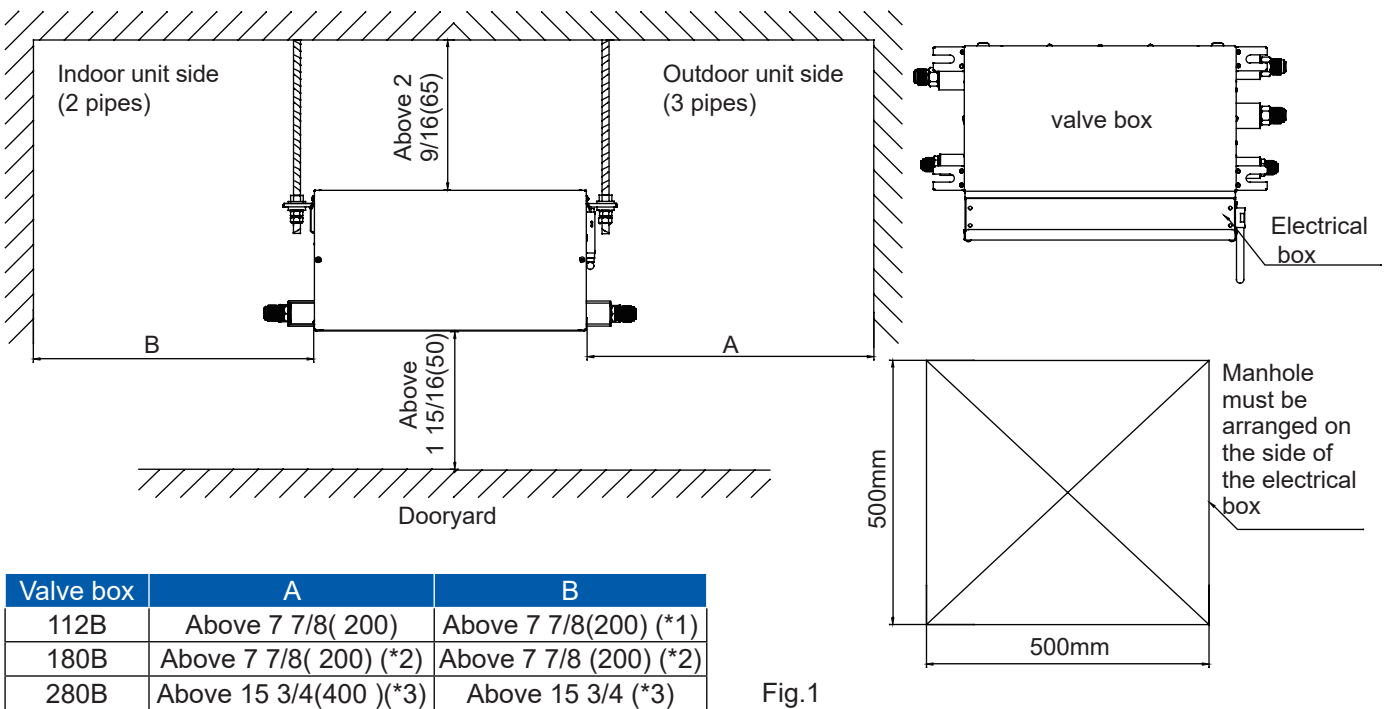


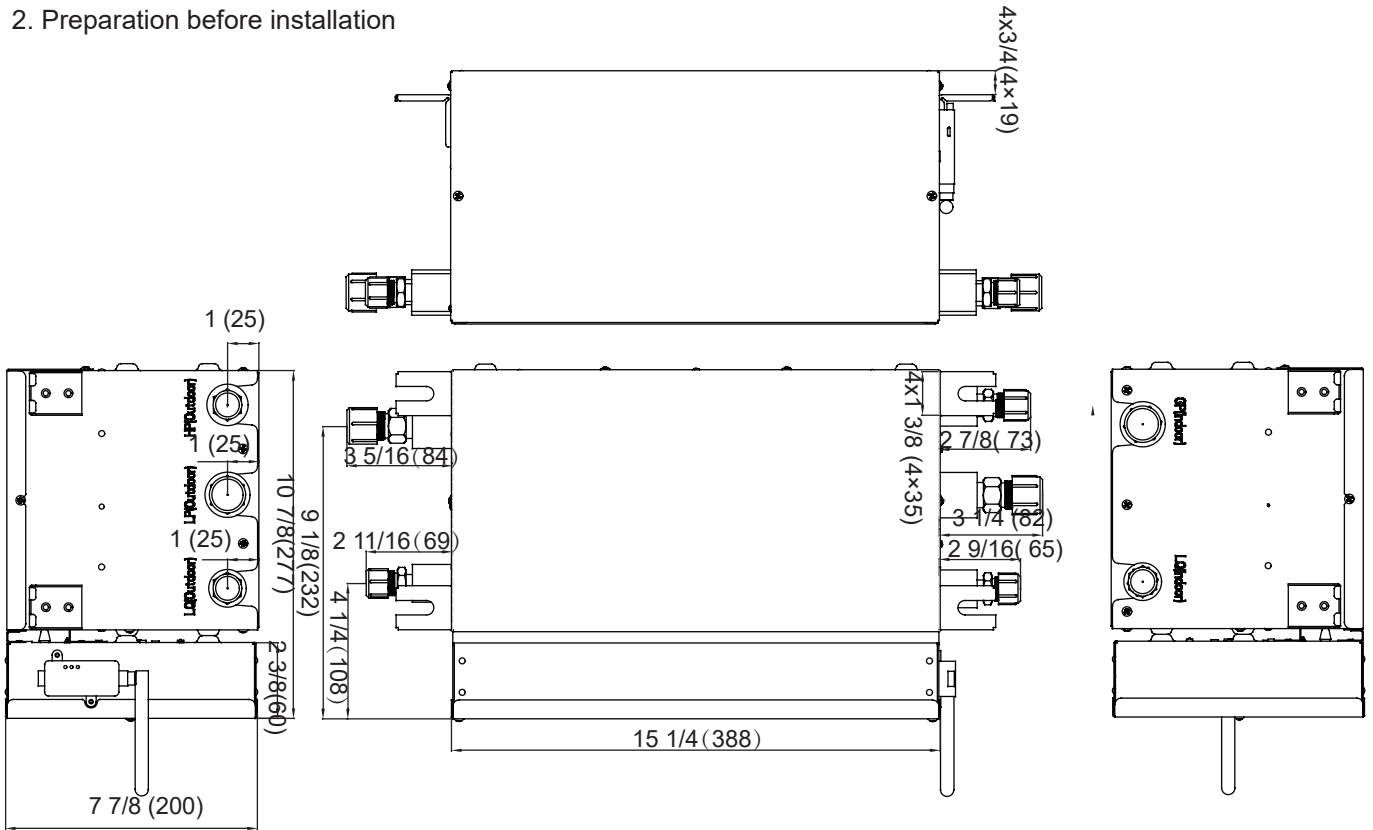
Fig.1

(*1) Ensure the maintenance area with more than 250 mm when the auxiliary pipe ①-1,①-2,①-3 on page 4 is used.

(*2) Ensure the maintenance area with more than 400 mm when the auxiliary pipe ①-1,①-2 on page 4 is used.

(*3) Ensure the maintenance area with more than 500 mm when the auxiliary pipe ①-2,①-3 on page 4 is used.

2. Preparation before installation



See the Fig.1 & Fig.2 to install the lifting bolts and hoisting tools.

Use the lifting bolts with the size of M8~M10

Press insert for new settings. Press hole in anchor if set. Ensure that it can sufficiently withstand the weight of the valve box before installation.

(2) Lifting dimension of valve box

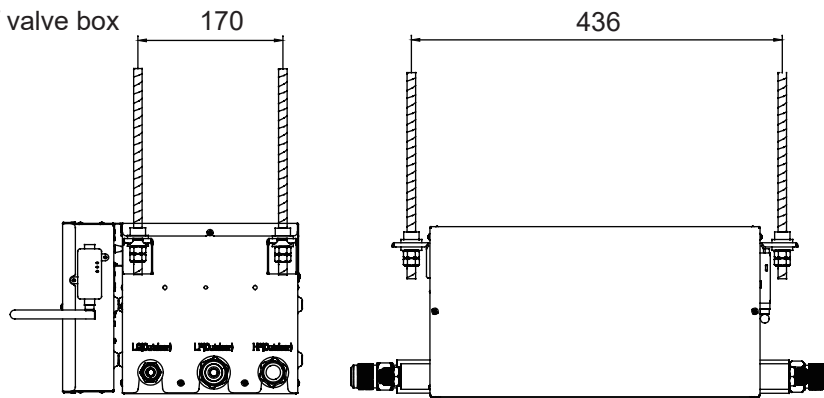


Fig.3 Pitch of lifting bolts

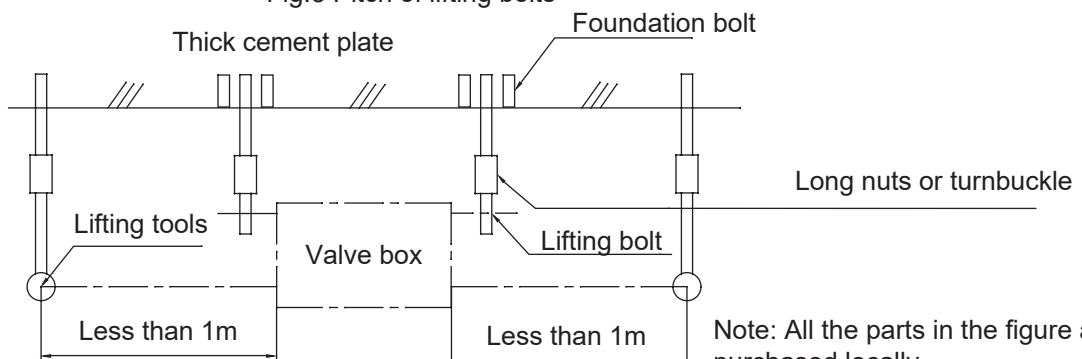


Fig.4

Note: All the parts in the figure are purchased locally.

3. Installation of valve box

Use parts and components specified for installing the installation components.

(1) Change the installation direction of electric box according to requirements following the steps below; (see Fig.1)

- ① Remove the cover of the electrical appliance box; (2 screws)
- ② Remove the electrical appliance box; (4 screws)
- ③ Remove the top plate; (4 screws)
- ④ Change the outgoing direction of wiring (electronic expansion valve coil) between the equipment and the electrical appliance box;
- ⑤ Rotate 180° to install the top plate;
- ⑥ Install the electrical appliance box;
- ⑦ Install the cover of the electrical appliance box.

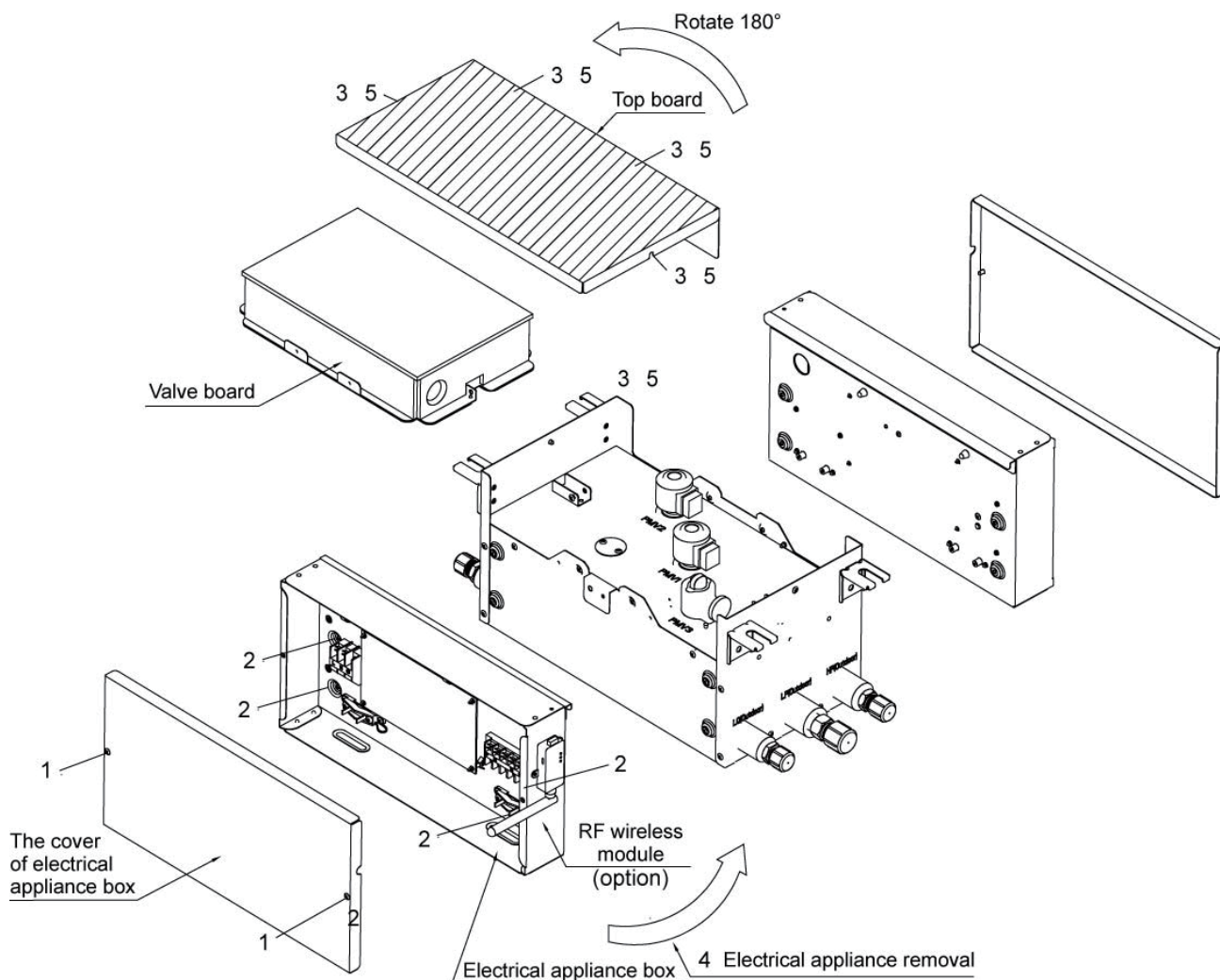


Fig.5

Install the lifting tools on the lifting bolts according to the instruction of the Fig.6

Be sure to follow the stipulations on products locally purchased to use nuts (M8 or M10 of 3 pieces for 4 positions) and gaskets (M8 with the outer diameter of 15/16~1 1/8(24~28) mm and M10 with that of 30~34 mm of 2 pieces for 4 positions) on the upper and lower sides of the lifting tools.

<Note>

Be sure that the product must be installed with the top surface (the oblique surface in the Fig.5) upward, or it will not work well and increase the working noise.

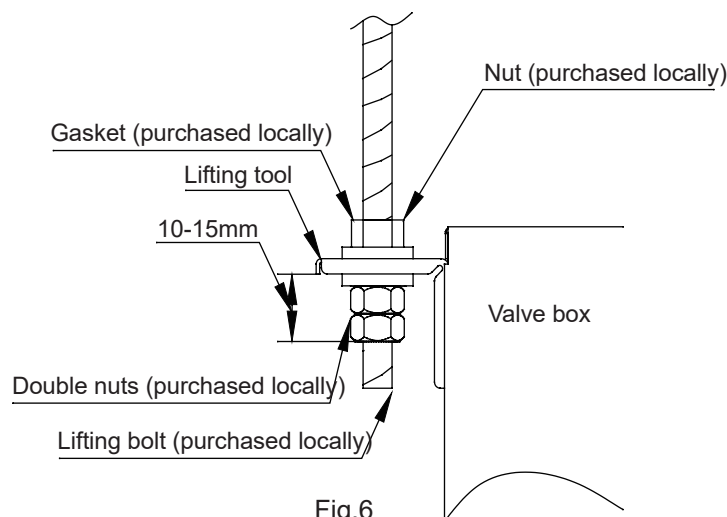


Fig.6

4. Refrigerant pipe Installation

- Pipes between the outdoor unit and valve box, selection of refrigerant branching suite, and the Pipe between refrigerant branching suites and the indoor units, please refer to the installation instructions or equipment design data attached to the outdoor unit.
- Before Installation, make sure the type of the refrigerant to be used is R410A. (If a refrigerant other than this type is used, It cannot run properly)
- Please provide thermal insulation at the high-pressure gas pipe, suction gas pipe, liquid pipe and oil equalizing pipe (pipes for outdoor units in case of multi-split system) and the connections between these pipes. In the absence of thermal insulation, liquid leakage and scalding may happen. Particularly when the high-pressure gas pipe delivers indrawn air under full-refrigeration condition, it needs the same thermal insulation as does the suction gas pipe. Besides, high-pressure gas pipe and suction gas pipe are to deliver high-pressure gas, thus please provide thermal insulation material that can sustain temperature over 120 °C.
- Enhance the thermal insulation material based on the installation environment. The indicators are shown below.
For RH75%–80% at 30°C: over 15 mm thick.
For over 80% at 30°C: over 20 mm thick.
If not reinforced, the thermal insulation material surface is prone to condensation. Please refer to the equipment design data for further details.
- The high-pressure gas pipe, suction gas pipe, liquid pipe must be provided with reliable thermal insulation. In the absence of thermal insulation, liquid leakage may happen.
- The outdoor unit is already filled with refrigerant.
- To connect the pipes to valve box or remove them from valve box, do use both spanner and torque wrench, as shown in the Fig.7.
- Apply refrigerant oil to inside and outside of the flare. Screw it for 3 to 4 rounds with hands and then tighten it.
- Determine the tightening torque. (Excessive tightening may damage the nuts and hence cause leakage)
- Check the connecting pipes for gas leakage and then fix the thermal insulation, as shown in the Fig.8
- Only use sealing gasket to wrap the part jointing between the gas pipe and thermal insulation.
- For pipe cutter and flare tool, please use R410A special tools.

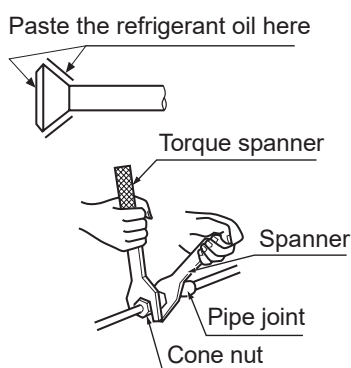


Fig.7

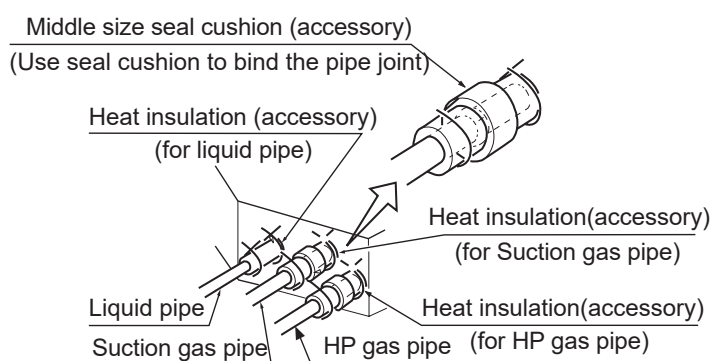


Fig.8

<Notes>

- Please do not let any type of gas other than the specified refrigerant go into the refrigeration system;
- In case of refrigerant leakage during operation, please replace the gas. (Fill the refrigerant at the outdoor unit)

Select piping material

- Make sure both the internal surface and external surface of the pipes are intact and are free from harmful contaminants such as sulphur, oxide, foreign matter, cutting powder, grease and water.
- Please use the following materials for refrigerant pipe.

Pipe material		Phosphorized copper seamless pipe for air conditioner (TP2)		
Model		112B	180B	280B
Function	High pressure gas pipe	1/2 (12.7)	5/8 (15.88)	3/4 (19.05)
	Suction gas pipe	5/8 (15.88)	5/8 (15.88)	7/8 (22.22)
	Liquid pipe (outdoor side)	3/8 (9.52)	3/8 (9.52)	3/8 (9.52)
	Gas pipe (indoor side)	5/8 (15.88)	5/8 (15.88)	7/8 (22.22)
	Liquid pipe (indoor side)	3/8 (9.52)	3/8 (9.52)	3/8 (9.52)

Wall thickness and size: select proper sizes according to Selection of piping dimensions

- For the permissible maximum length, permissible elevation difference and permissible length after branching, please refer to the installation instructions or technical data attached to the outdoor unit.
- The branching pipe for the pipe must have refrigerant branching suite. For selection of refrigerant branching suite, please refer to the installation instructions or technical data attached to the outdoor unit.

Piping maintenance

During installation, provide maintenance as specified in the table in order to prevent water, foreign matter and dust from entering the pipes.

Location	Work period	Maintenance method
Outdoors	More than 1 month	Screw
	Less than 1 month	Screw or strap
Indoors	—	

Note

Particularly when a pipe is to penetrate through a wall or extend to outdoors, make sure foreign matter and dust etc cannot enter the pipe.

Attention item for piping connection

- To connect a pipe to or remove it from the valve box, do use pliers for screws and torque spanner;
- When installing the valve box, please fix the box and connecting pipes in an efficient way to avoid shaking when changing valve box.
- For the sizes of the flares, please refer to <Table-3>.

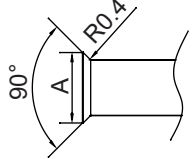
<Note>

- For connection at a flare, apply ester or ether oil to the flare (both inner surface and outer surface). Apply such oil for 3 to 4 times and insert the screw in the first use (Refer to Fig.9).
- The tightening torque for the flare is given in <Table-3>.

If no torque wrench is available, act as the follows.

- ① Use a spanner to tighten the nut of the flare to a position where the tightening torque sharply increases.
- ② The tightening angle for the position where the tightening torque sharply increases <Table -4>.
- ③ After the work, make sure there is no air leakage.

<Table-3>

Tube size	Tightening torque (N.m)	Machined flare size A (mm)	Flare shape
1/4 (6.35)	14.2~17.2	8.7~9.1	
3/8 (9.52)	32.7~39.9	12.8~13.2	
1/2(12.7)	49.5~60.3	16.2~16.6	
5/8 (15.88)	61.8~75.4	19.3~19.7	
3/4 (19.05)	97.2~118.8	23.7—23.9	
7/8 (22.22)	117.2~138.8	28.2-28.5	

<Table-4>

Pipe size	Tightening angle	Recommended tool length (mm)
1/4 (6.35)	60°~90°	150
3/8 (9.52)	60°~90°	200
1/2(12.7)	30°~60°	250
5/8 (15.88)	30°~60°	300
3/4 (19.05)	20°~35°	450
7/8 (22.22)	15°~30°	600

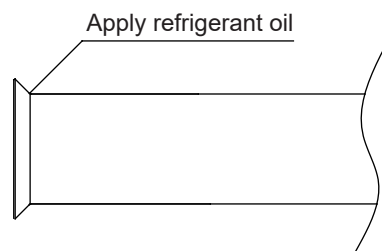


Fig.9

<Note>

- Excessive tightening will result in cracking at the flare and refrigerant leakage.
- To weld the refrigerant pipe, please make nitrogen replacement (*1), or send nitrogen (*2) into the refrigerant pipe while welding the pipe (refer to Fig.9). Finally use the flare or flange to connect the indoor unit and valve box.
 (*1) Nitrogen replacement method is provided in the multi-split system work manual.
 (*2) If nitrogen flowing and welding proceed simultaneously, do use pressure reducing valve. Approximately 0.02 MPa (0.2 Kg/cm with a slight feeling of breeze) pressure is quite proper.

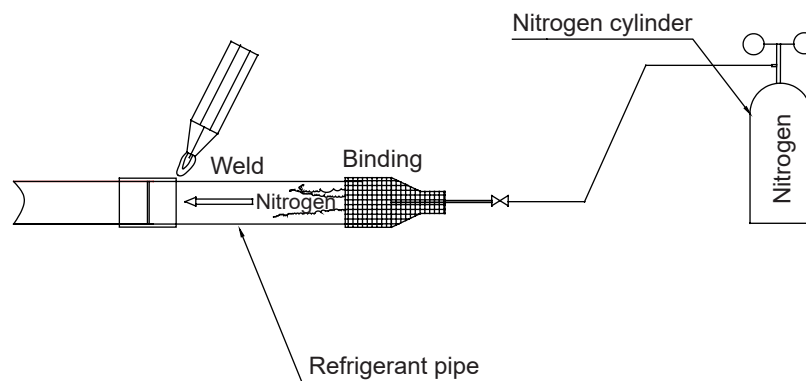


Fig.10

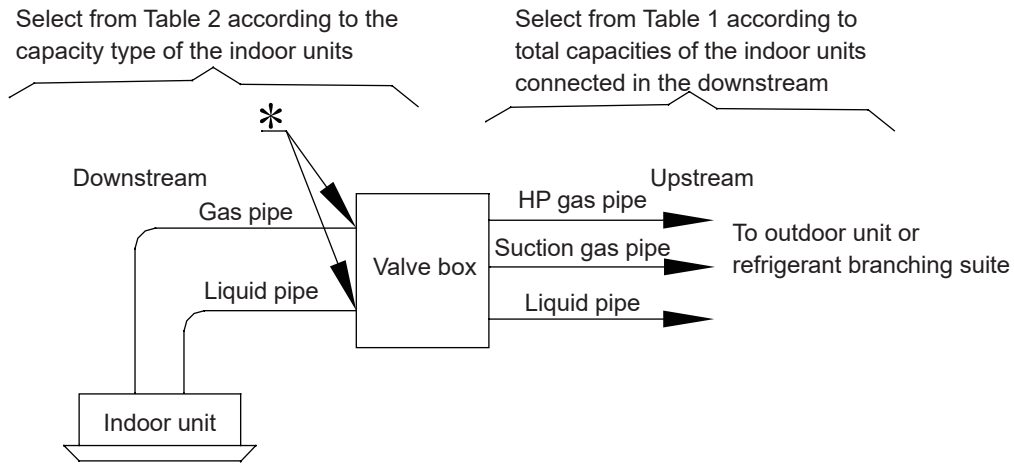
<Note>

- For pipe welding, do not use antioxidant, for its residue may cause tube blocking and component fault.
- For pipe welding, do not use flux. If the flux is chlorine product, it will corrode the tube; if it contains fluorine, it will even cause detrimental effects to the refrigerant system, such as refrigerant oil deterioration. Please do not use phosphor copper for welding material (BCup-2).

Selection of piping dimensions

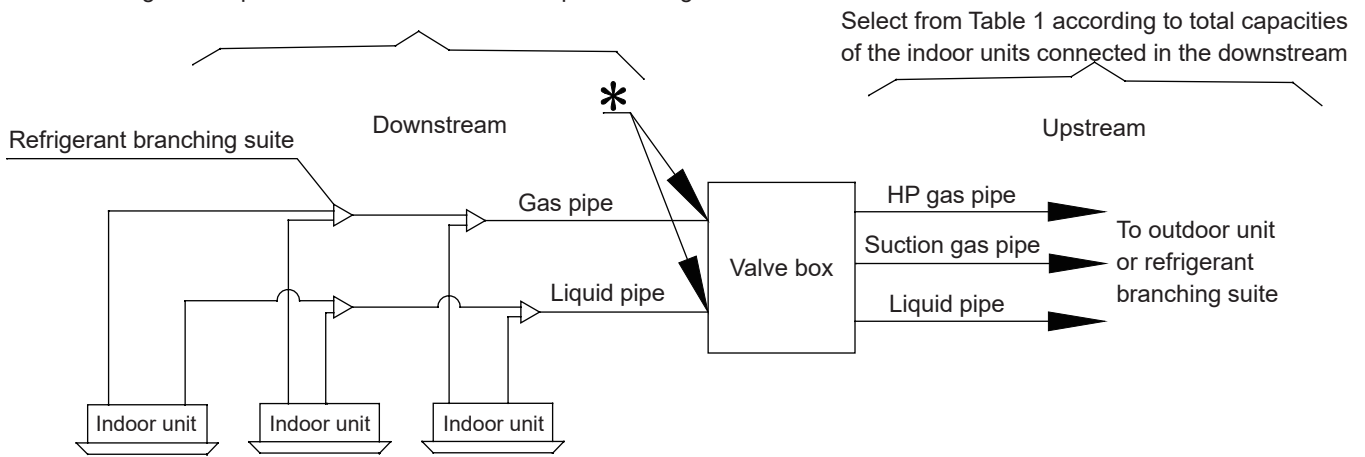
Select refrigerant branching dimensions between outdoor units and valve box, between valve box and indoor units according to the following connection examples 1 and 2 and Tables 5-7.

Connection example 1: Connect an indoor unit to the downstream of the valve box



Connection example 2: with branching in the downstream of the valve box

Select pipe dimensions of the refrigerant branching suite and its components in the indoor unit according to the specifications or technical data provided together with the outdoor unit.



(*) For dimensions of the pipes to the downstream of the valve box, see the table 3. Use the attached pipes for connection in the way shown in Pipe connection according to the pipes dimensions and diameters for indoor unit connection selected in Table 2.

<Table 5> Total capacity and pipe dimensions (mm) of the indoor units

Total capacity of the indoor units Q (kW)	Pipe dimensions (OD × minimum wall thickness)				
	Upstream			Downstream	
	Suction gas pipe	High pressure gas pipe	Liquid pipe	Gas pipe	Liquid pipe
Q<57.3(Q<16.8)	5/8(15.88)×1.0	1/2 (12.7)×1.0	3/8(9.52)×0.8	5/8(15.88)×1.0	3/8(9.52)×0.8
57.3≤Q<76.4(16.8≤Q<22.4)	3/4(19.05)×1.0	5/8(15.88)×1.0		3/4(19.05)×1.0	
76.4≤Q<112.6(22.4≤Q<28.0)	7/8 (22.22)×1.2	7/8 (22.22)×1.0		7/8 (22.22)×1.2	

<Table 6> Dimensions (mm) of connection tube of the indoor units

Total capacity type of the indoor units (×100W)	Pipe dimensions (OD × minimum wall thickness)	
	Gas pipe	Liquid pipe
22, 28	3/8 (9.52)×0.8	1/4(6.35)×0.8
36, 45, 56	1/2(12.7)×0.8	1(6.35)×0.8
71, 80, 90, 112, 140	5/8(15.88)×1.0	3/8(9.52)×0.8
226	1(25.4)×1.2	
280	1(25.4)×1.2	

<Table 7> Dimensions (mm) of connection pipe of the valve box

Type of valve box for switch between cooling and heating	Pipe dimensions (OD × minimum wall thickness)				
	High pressure gas pipe	Suction gas pipe	Liquid pipe at the outdoor unit side	Gas pipe of the indoor unit	Liquid pipe at the indoor unit side
112B	1/2(12.7)×1.0	5/8(15.88)×1.0	3/8(9.52)×0.8	5/8(15.88)×1.0	3/8(9.52)×0.8
180B	5/8(15.88)×1.0	5/8(15.88)×1.0	3/8(9.52)×0.8	5/8(15.88)×1.0	3/8(9.52)×0.8
280B	3/4(19.05)×1.0	7/8(22.22)×1.2	3/8(9.52)×0.8	7/8(22.22)×1.2	3/8(9.52)×0.8

Pipe connection

(*1) Refer to the field pipe

(*2) Please use the flare nut installed on the product body again.

Note:

During installation, please confirm the HP gas pipe and Suction gas pipe between outdoor and valve box (such as by sending nitrogen into the HP gas pipe and Suction gas pipe), then connect Suction gas pipe to the Suction gas pipe of valve box, HP gas pipe to the HP gas pipe of valve box.

112B

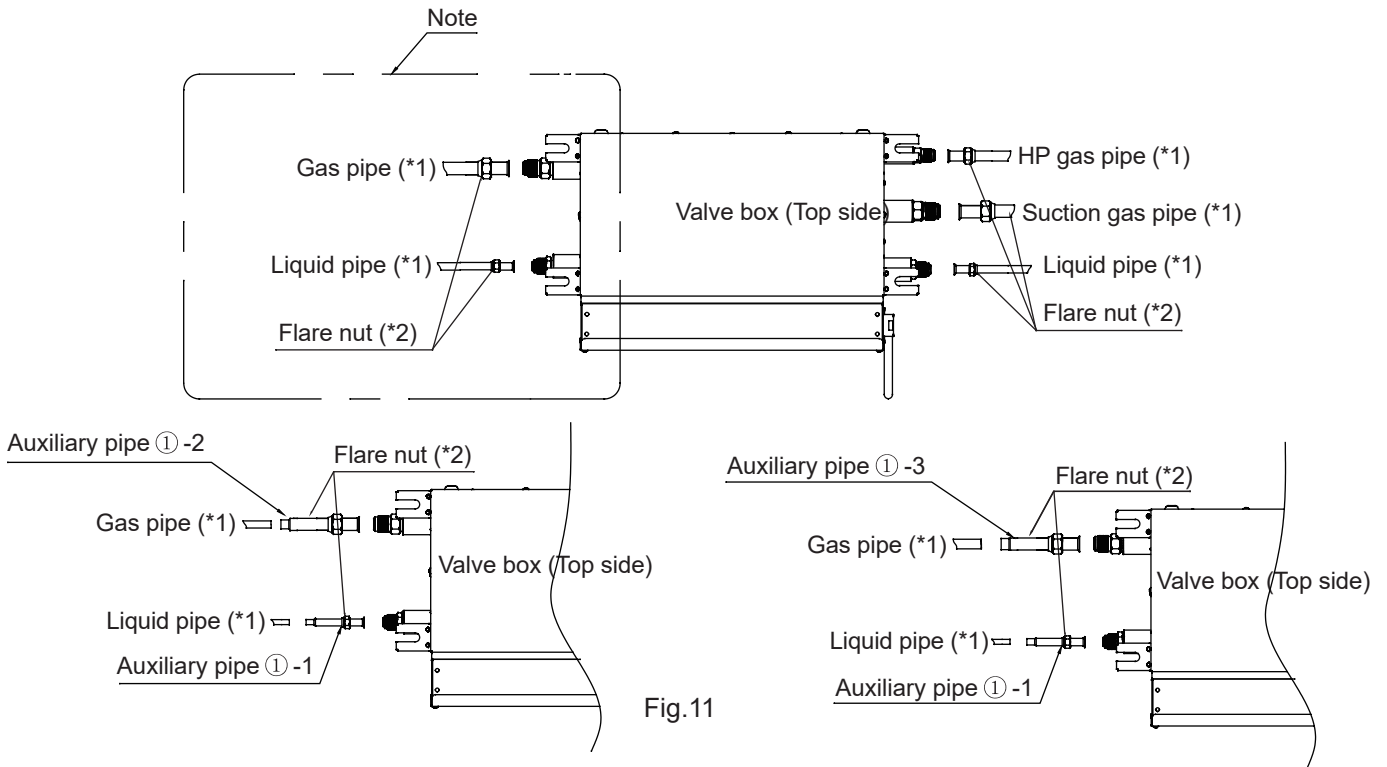
(Note):

When a 072, 092, 22 or 28 indoor unit except for the High wall is connected in the downstream, please use the auxiliary pipe ①-1,2 for connection according to Fig.11.

When a 122, 162, 182, 36, 45 or 56 indoor unit except for the High wall is connected in the downstream, please use the auxiliary pipe ①-1,3 for connection according to Fig.11.

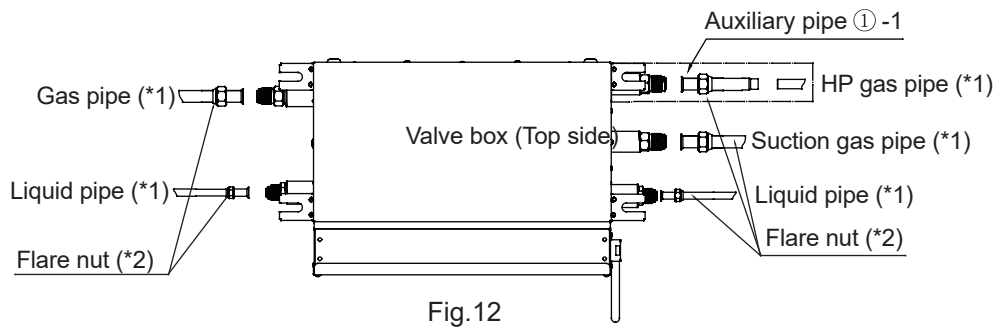
When a AS072, AS092 indoor unit is connected in the downstream, please use the auxiliary pipe ①-1,3 for connection according to Fig.11.

When an AS182 indoor unit is connected in the downstream, do not use the auxiliary pipe.



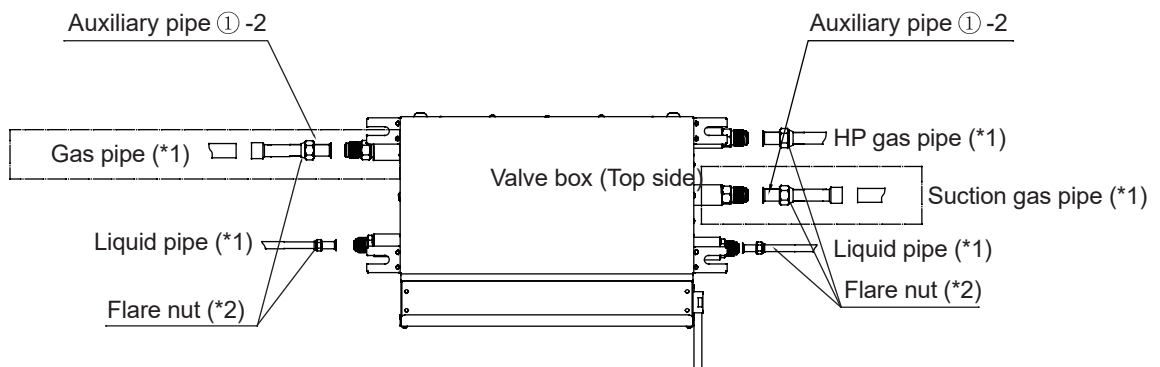
180B

The total capacity of the indoor units in the downstream is more than 11.2 kW but less than 16.8 kW.



Note : Due to the HP gas pipe and suction gas pipe size of 180B valve box is the same, so during installation, please confirm the HP gas pipe and suction gas pipe between outdoor and valve box(such as by sending nitrogen into the HP gas pipe and suction gas), then connect suction gas pipe to the suction gas pipe of valve box, HP gas pipe to the HP gas pipe of valve box.

The total capacity of the indoor units in the downstream is more than 16.8 kW but less than 18.0 kW.



(Note1):

Auxiliary pipe ①-1,2,3: Install the flare nuts first and then use the auxiliary pipe after being flared in the field.

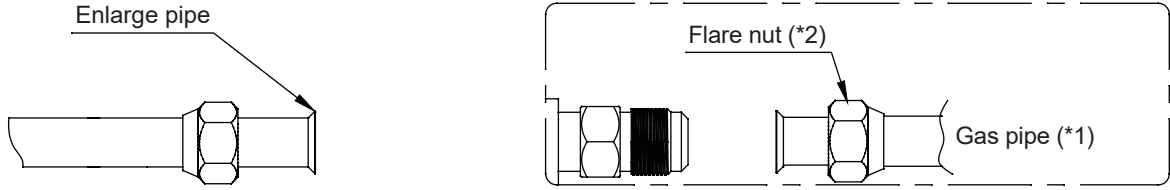


Fig.14

280B

The total capacity of the indoor unit in the downstream is more than 18.0 kW but less than 22.4 kW.

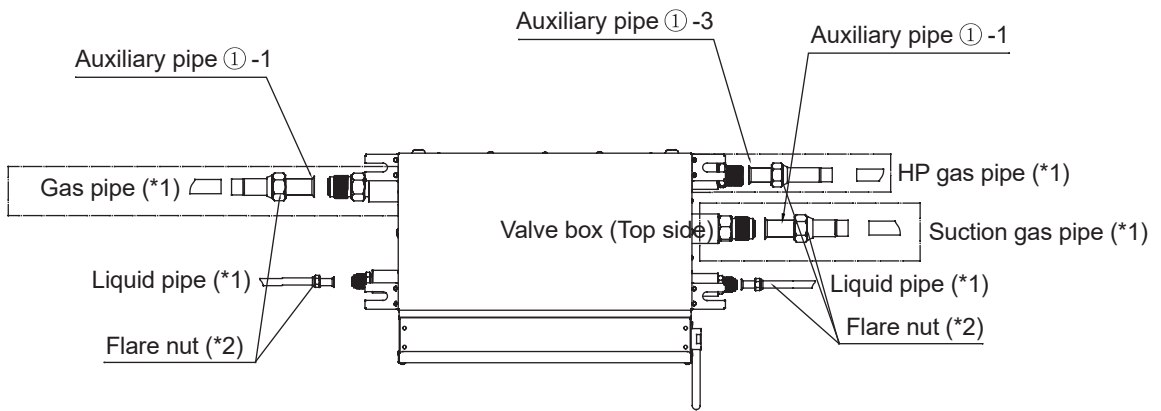


Fig.15

The total capacity of the indoor unit in the downstream is more than 22.4 kW but less than 28.0 kW.

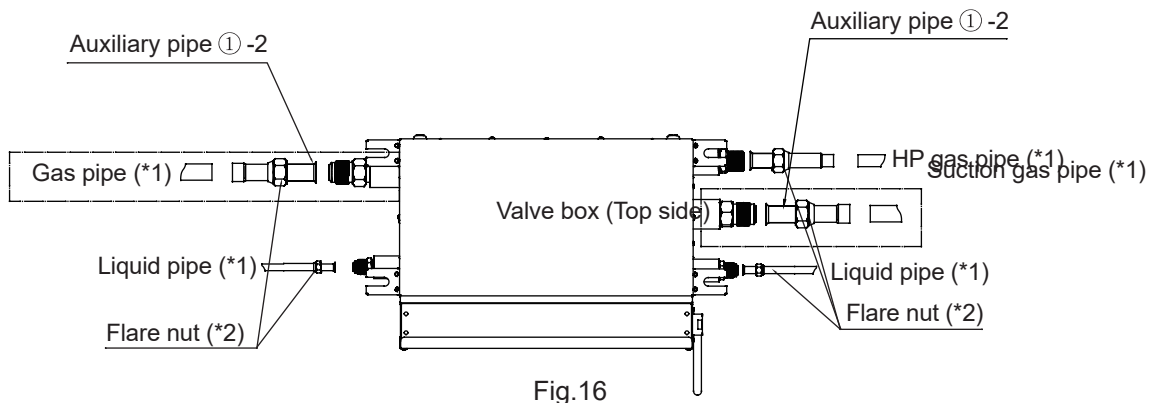


Fig.16

Pipe insulation

Please use the auxiliary insulation cylinder and anchor for insulation works according to Fig.17 after the gas leakage test.

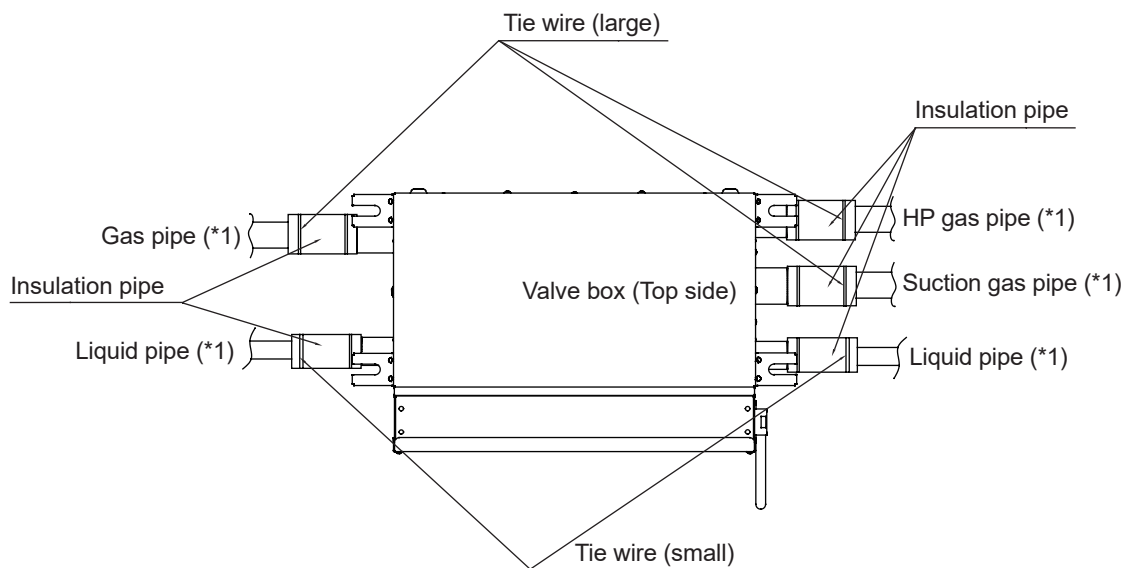


Fig.17

Note 1:

For suction gas pipes, high pressure gas pipe and liquid pipes, gas pipe, flare connections shall be wrapped with insulation materials (purchased locally) when their auxiliary insulation cylinders have been installed.

For installation of insulation materials for the flare nut connections, it shall be cautioned that:

- (1) Please connect it tightly so as to ensure no gas leakage at both ends.
- (2) The retaining clamp shall not be over tight so as to ensure the thickness of the insulation materials.
- (3) Joints of insulation materials (purchased locally) for the upper flare nut connections shall be wrapped upwards.
- (4) Ensure that joints of the insulation materials are installed upwards. (See Fig.18.)

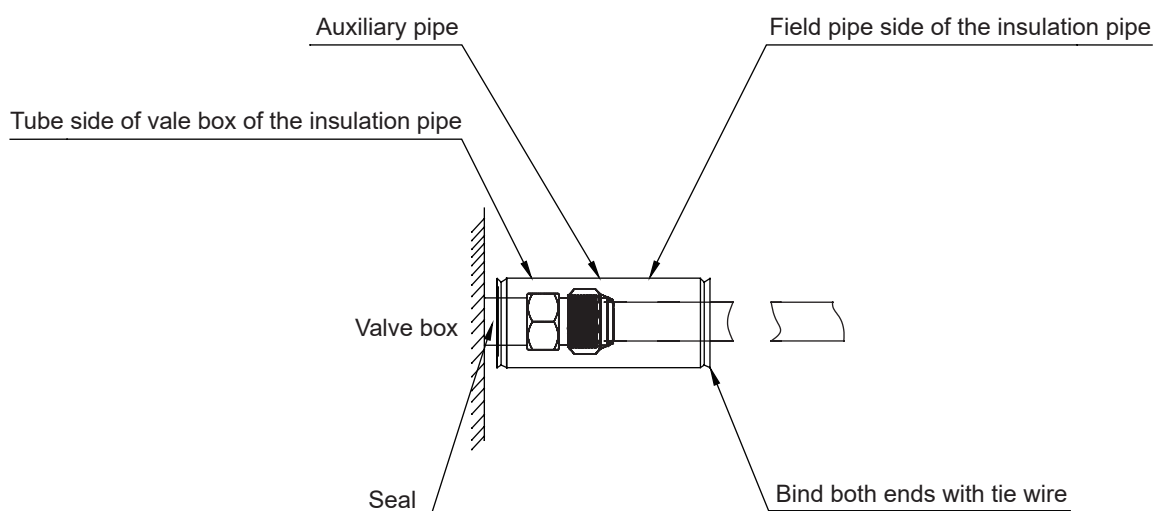


Fig.18

⚠ Warning

- Electrical construction should be made with specific mains circuit by the qualified personnel according to the installation instruction. Electric shock and fire may be caused if the capacity of power supply is not sufficient.
- During arranging the wiring layout, specified cables should be used as the mains line, which accords with the local regulations on wiring. Connecting and fastening should be performed reliably to avoid the external force of cables from transmitting to the terminals. Improper connection or fastness may lead to burning or fire accidents.
- There must be the ground connection according to the criterion. Unreliable grounding may cause electrical shocks. Do not connect the grounding line to the gas pipe, water pipe, lightning rod and telephone line.

⚠ Attention

- Only copper wire can be used. Breaker for electric leakage should be provided, or electric shock may occur.
- The wiring of the mains line is of Y type. The power plug L should be connected to the live wire and plug N connected to null wire while ⊕ should be connected to the ground wire. For the type with auxiliary electrically heating function, the live wire and the null wire should not be misconnected, or the surface of electrical heating body will be electrified. If the power line is damaged, replace it by the professional personnel of the manufacturer or service center.
- The power line of valve boxes should be arranged according to the installation instruction of valve boxes.
- The electrical wiring should be out of contact with the high-temperature sections of tubing as to avoid melting the insulating layer of cables, which may cause accidents.
- After connected to the terminal tier, the tubing should be curved into be a U-type elbow and fastened with the pressing clip.
- Controller wiring and refrigerant tubing can be arranged and fixed together.
- The machine can't be powered on before electrical operation. Maintenance should be done while the power is shut down.
- Seal the thread hole with heat insulating materials to avoid condensation.
- Signal line and power line are separately independent, which can't share one line. [Note: the power line, signal line are provided by users. Parameters for power lines are shown as below: $3 \times (1.0-1.5) \text{ mm}^2$; parameters for signal line: $2 \times (0.75-1.25) \text{ mm}^2$ (shielded line)]
- Valve boxes and outdoor units should be connected to the power source separately. All valve boxes must share one single electrical source, but its capacity and specifications should be calculated. Indoor & outdoor units should be equipped with the power leakage breaker and the overflow breaker.
- Valve box can be installed in multiple, named as unit A, unit B... Pay attention to the marks on the terminal block when connecting the outdoor unit with the indoor unit. Refer to wiring example as described in 5-2 while ensuring correct connection. In addition, the operation will be abnormal when the wiring and the tubing between indoor and outdoor machine sets are installed in different refrigerant systems.
- Energization is not to be done before it's confirmed that the valve box have completely installed and that the outdoor and indoor installation is completed.

The wiring for the power line and signal line of valve box

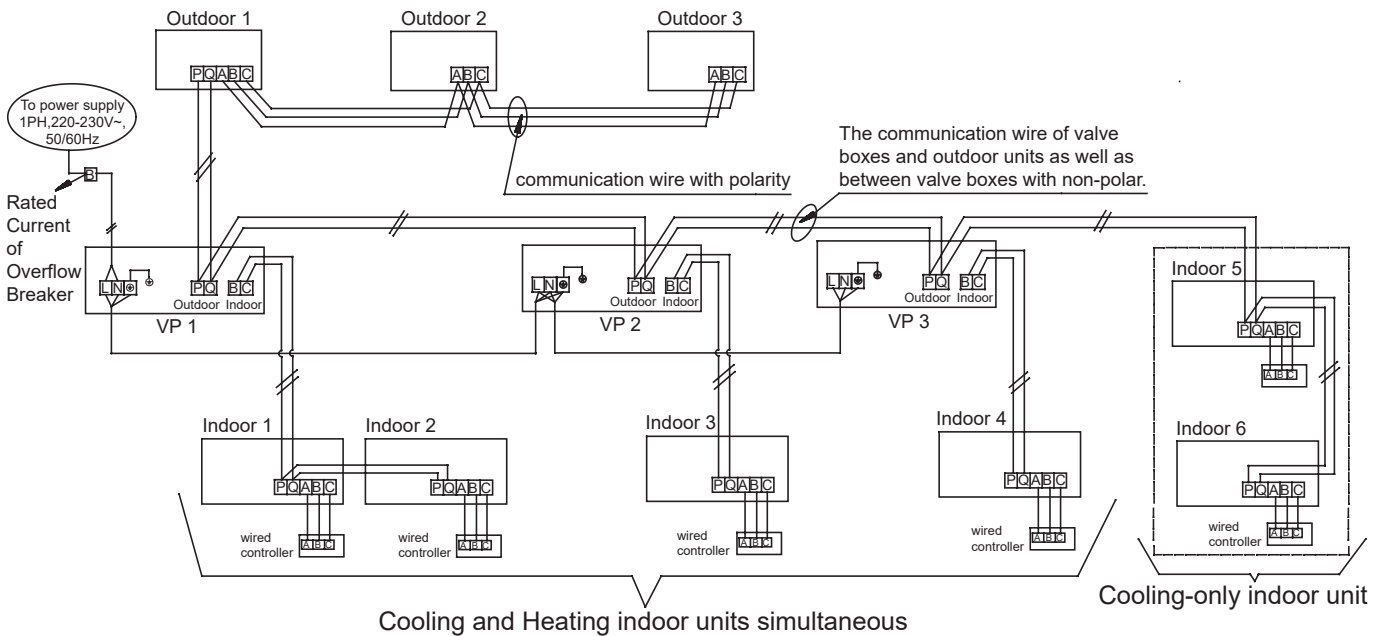
The wiring for the power line of valve box, the wiring for the signal line between valve boxes and outdoor units as well as the wiring between valve boxes.

Total Current of valve boxes (A)	Items		Rated Current of Overflow Breaker (A)	Rated Current of Power Leakage Breaker (A) Leaking Current (mA) Operating Period (S)	Cross Sectional Area of Signal Line	
	Cross Section (mm ²)	Length ft (m)			Outdoor-valve box (mm ²)	Valve box- valve box (mm ²)
<10	2	65(20)	20	20A,30mA,0.1S or below	2cores \times 0.75-2.0 mm ² shielded line	
≥ 10 and <15	3.5	82(25)	30	30A,30mA, 0.1S or below		
≥ 15 and <22	5.5	98(30)	40	40A,30mA, 0.1S or below		
≥ 22 and <27	10	141(40)	50	50A,30mA, 0.1S or below		

- Power cable and communication wire must be fixed firmly.
- Each valve box must be earthed well.
- When power cable exceeds the range, thicken it appropriately.
- Shielded layer of communication wires must be connected together and be earthed at single point.
- Communication wire total length cannot exceed 1000m.

Graphical representation for wiring

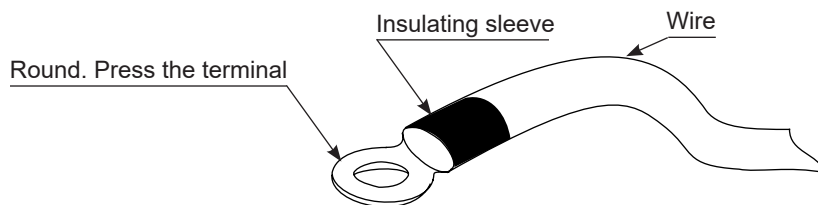
Connect the communication terminal block P and Q of the main unit of the outdoor units with the communication terminal block P and Q of the first valve box (VP 1).



Notes:

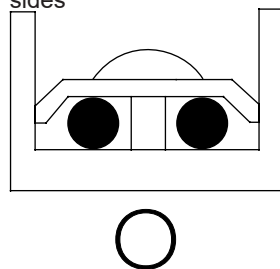
- (1) The above wiring example is only for reference. The number of valve boxes and indoor units shall be subject to the field installation.
- (2) Communication line from cooling-only indoor unit may be connected to the communication terminal block P and Q (outdoor) of the valve box.
- (3) Two-core nonpolar communication line with shield shall be adopted for communication lines between the valve and shield shall be adopted for the wire controller connected to the indoor unit.
- (4) All valve boxes within one system may share one overcurrent breaker for power supply. But it's necessary to compute total current capacity specification.
- (5) For wiring harness connected to the power terminal block, the terminal shall be pressed with a round (refer to the following figure).

⊘ Prohibitions

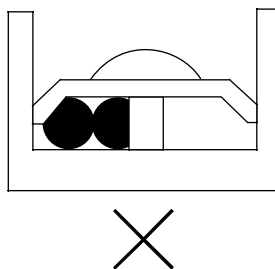


- (1) The power terminal block shall not be crimped with 2 wires of different diameters. Otherwise, poor crimp connection and looseness may lead to abnormal heating or sparking of the line.
- (2) Refer to the following figure for crimping wires with the same diameter.

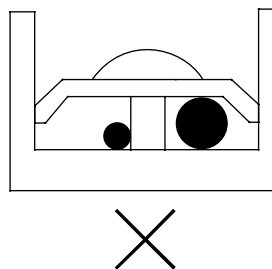
Connect wires with the same diameter on both sides



It's forbidden to connect two wires on one side



Wires with different diameters are not allowed



(6) Tighten terminal screws with proper screw driver. Screw driver of small dimension will damage the screw head and fail to tighten properly.

(7) If terminal screws are tightened excessively, they may be damaged. Refer to the following table for tightening torques of terminal screws:

Dimension of terminal screw	Tightening torque (N.m)
M3.5 (terminal block for communication line)	0.80~0.96
M4 (terminal block for power line)	1.18~1.44
M4 (terminal block for ground wire)	1.52~1.86

(8) Power line is forbidden to the communication terminal block because it will damage the circuit control board.

(9) Wiring of communication lines shall be within the following scope. Exceeding the limit will possibly lead to abnormal communication.

The maximum wiring length between the outdoor machine and the furthest valve box or Cooling-only indoor unit is 1000m, the valve box and the indoor machine is 90m. The maximum branch number is 16.

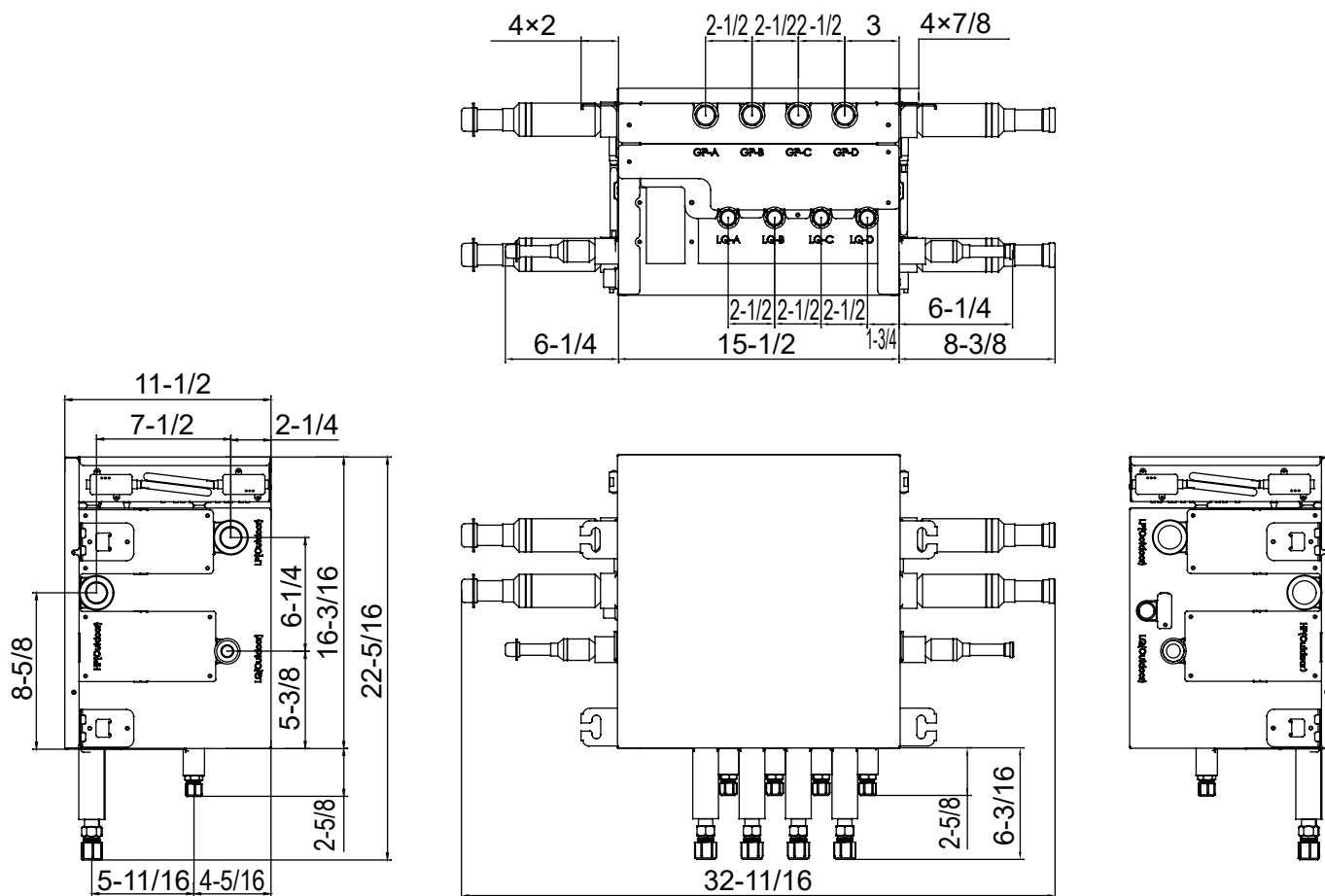
Four way valve box

Specification

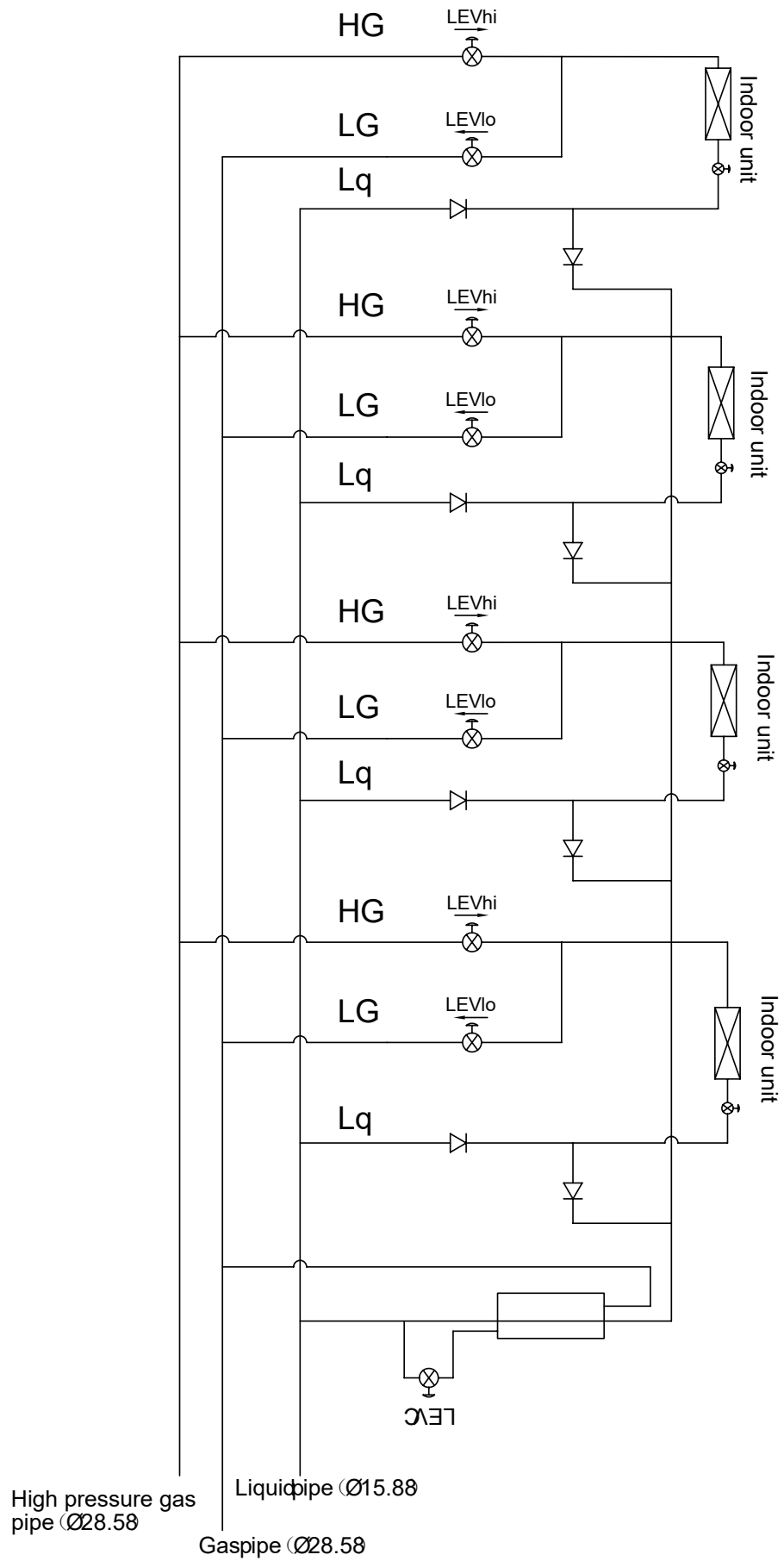
Model	VP4-450B	
Power Supply		
Max. Number of valve boxes that can be connected in series		4
Branching Number of Connectable Indoor Units		5
Dimension (W×H×D)	in.(mm)	15 15/16*11 13/16*16 9/16 (405×300×421)
Net	lb(kg)	39.7(18)
Liquid Pipe-Connect To Outdoor Unit	in.(mm)	5/8(15.88)
Gas Pipe-Connect To Outdoor Unit	in.(mm)	1 1/8 (28.58)
High Pressure Gas Pipe-Connect To Outdoor Unit	in.(mm)	1 1/8 (28.58)
Liquid Pipe-Connect To Indoor Unit	in.(mm)	3/8(9.52)×4
Gas Pipe-Connect To Indoor Unit	in.(mm)	5/8(15.58)×4

	VP4-450B*1	VP4-450B *2	VP4-450B *3	VP4-450B *4
Branching Number of Connectable Indoor Units	5	5	5	5
Total indoor unit qty.	20	40	60	64
Capability per branch	≤54.6kBTU(16kW)	≤54.6kBTU(16kW)	≤54.6kBTU(16kW)	≤54.6kBTU(16kW)
Total capacity	≤153.5kBTU/h(45kW)	≤242.3kBTU(71kW)	≤242.3kBTU(71kW)	≤242.3kBTU(71kW)

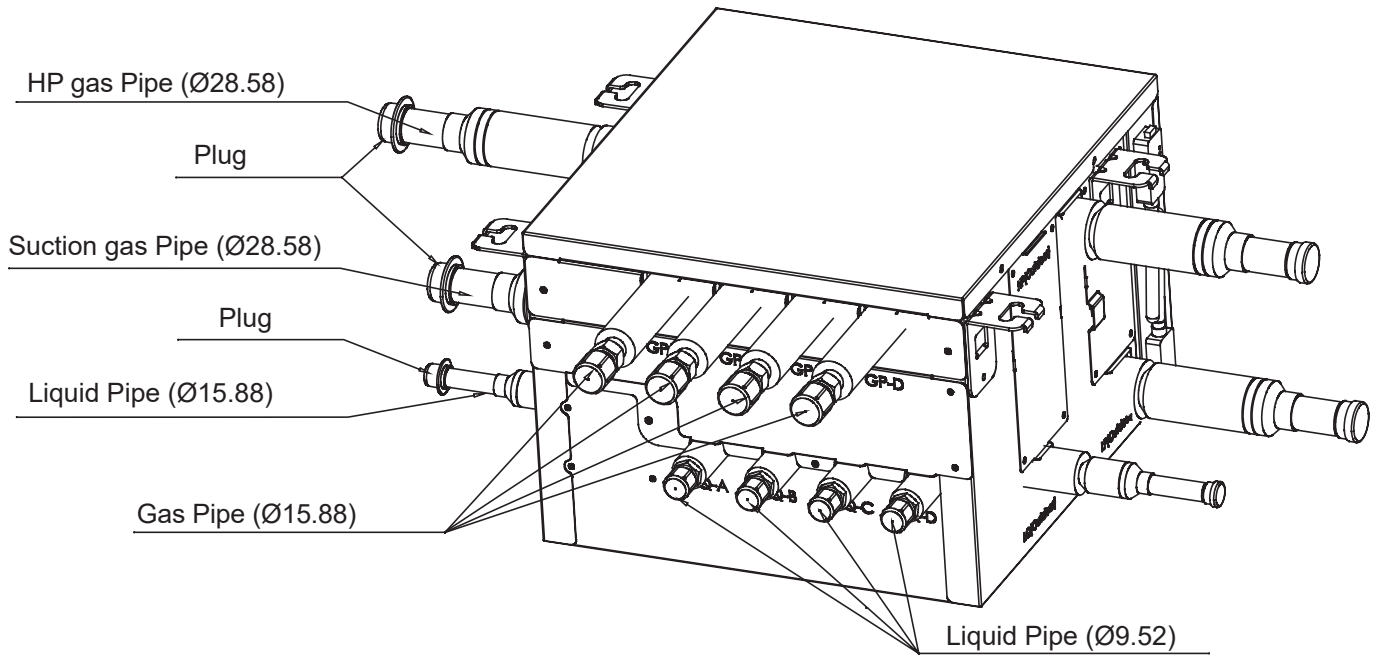
Dimension



Piping diagram



Installation



Before installation , be sure to remove the plug .When the valve box is connected with the outdoor unit, the left side of the three pipes or the right side of the three pipes can be selected according to the actual installation requirements. At the same time, the other end of the three tubes needs to be blocked.

- If the valve box is transferred to a new user, this manual shall be transferred to the user, together with the conditioner.
- Before installation, be sure to read Safety Considerations in this manual for proper installation.
- The safety considerations stated below is divided into “⚠Warning” and “⚠ Attention”. The matters on severe accidents caused from wrong installation, which is likely to lead to death or serious injury, are listed in “⚠ Warning”. However, the matters listed in “⚠ Attention” are also likely cause the severe accidents. In general, both of them are the important items related to the security, which should be strictly abided by.
- After the installation, perform test run to make sure everything is in normal conditions, and then operate and maintain the valve box in accordance with the user manual. The user manual should be delivered to the user for proper keeping.

⚠Warning

- Please ask the special maintenance station for installation and repair. Water leakage, electric shocks or fire accidents might be caused from improper installation if you conduct the installation by your own.
- The installation should be conducted properly according to this manual. Water leakage, electric shocks or fire accidents might be caused from improper installation.
- Please make sure to install the valve box on the place where can bear the weight of the valve box. The valve box can't be installed on the grids such as the non-special metal burglar-proof net. The place with insufficient support strength might cause the dropdown of the machine, which may lead to personal injuries.
- The installation should be ensured against typhoons and earthquakes, etc. The installation uncomformable to the requirements will lead to accidents due to the turnover of the machine.
- Specific cables should be used for reliable connections of the wirings. Please fix the terminal connections reliably to avoid the outside force applied on the cables from being impressed on the cables. Improper connections and fixings might lead to such accidents as heating or fire accidents.
- Correct shapes of wirings should be kept while the embossed shape is not allowed. The wirings should be reliably connected to avoid the cover and the plate of the electrical cabinet clipping the wiring. Improper installation might cause such accidents as heating or fire accidents.
- While placing or reinstalling the valve box, except the specific refrigerant (R410A), don't let the air go into the refrigeration cycle system. The air in the refrigeration cycle system might lead to the cracking or personal injuries due to abnormal high pressure of the refrigeration cycle system.
- During installation, please use the accompanied spare parts or specific parts. If not, water leakage, electric shocks, fire accidents or refrigerant leakage might be caused.
- During installation, if refrigerant leakage occurs, ventilation measures should be taken, for the refrigerant gas might generate harmful gases upon contacting the flame.
- After installation, check if any refrigerant leakage exists. If the refrigerant gas leaks in the room, such things as air blowing heaters and stoves, etc. may generate harmful gases.
- Don't install the valve box at the places where the flammable gases may leak. In case the gas leakage occurs around the machine, such accidents as fire disasters may be caused.
- The refrigerant gas pipe, HP gas pipe and liquid pipe should be heat insulated to preserve heat. For inappropriate heat insulation, the water caused from the condensation will drop to get the article at home wet.
- The electrical construction shall be implemented by the correspondingly qualified personnel in accordance with electrical construction standards, local electrical laws as well as specifications. Moreover, dedicated circuit must be used, rather than the wire pin. Insufficient capacity of the wire circuit and unprepared construction (if any) may cause electric shock, fires, etc.
- During the process of grounding, the ground wire cannot be connected to the gas pipe, water pipe, lightning rod and ground wire of the telephone. Incomplete grounding may cause electric shock, fires, etc.
- Install residual-current circuit breaker, or electric shock, fires, etc. will occur.

- When contacting electrical components, ensure they are powered off. Contacting the live part may result in the danger of electric shock.
- If there is leakage of the refrigerant gas flow during operation, refrigerant gas is required. If the refrigerant gas contacts any fire, poisonous gases will be produced.
- If the supply cord is damaged, it must be replaced by the manufacturer, its service agent or similarly qualified persons in order to avoid a hazard.
- This appliance can be used by children aged from 8 years and above and persons with reduced physical, sensory or mental capabilities or lack of experience and knowledge if they have been given supervision or instruction concerning use of the appliance in a safe way and understand the hazards involved. Children shall not play with the appliance. Cleaning and user maintenance shall not be made by children without supervision.
- This appliance is intended to be used by expert or trained users in shops, in light industry and on farms, or for commercial use by lay persons.
- We recommend that the appliances be installed properly by qualified installation technicians in accordance with the installation instructions provided with the unit.

⚠ Attention

- The valve box should be effectively grounded. Electric shocks may occur if the valve box is ungrounded or inappropriately grounded. The wire for earthing shouldn't be connected to the connections on the gas pipe, water pipe, lightning rod or telephone.
- The breaker for electricity leakage should be mounted. If not, accidents such as electric shocks may happen.
- The installed valve box should be checked for electricity leakage by being powered.
- After installation, all cassette concealed valve boxes should be trial-tested. After the proper operation of the machine, other fitments can be made.
- When installing the valve box, please fix the box and connecting pipes in an efficient way to avoid shaking when changing valve box.
- If the ambient humidity bigger than 80%, when the water discharge hole be blocked or the filter becomes dirty, or airflow speed change, there maybe leads to condensing water drop down, and at the same time there maybe some drops of water spit out.
- Keep the valve box, power supply wiring, conductor, etc. at least 1 m away from the TV and radio to avoid image interference and noise. However, sometimes there is still noise when the distance is over 1 m due to the different states of radio waves.
- Try to install valve box where the fluorescent lamp is far away.
- When wireless devices are being installed, the distance that the signal from the controller will reach may be shortened in a room with a fluorescent lamp that is turned on in an electric way (frequency conversion or rapid start).
- Please install the valve box in places where noise will not influence the customers too much (such as washroom, passageway, warehouse, equipment room, etc.). Places with high requirement for quiet are not suggested for installation, such as bedroom, drawing room, meeting room, office, etc.
- When starting up, stop, defrosting, and oil-returning in heating mode, the electronic expansion valve will switch and cause noise. This kind of noise is normal for the switching of valve box.

⊘ Prohibitions

- Do not use components other than the fuse of proper capacity, such as metal wire and copper wire, which will cause fires and other faults if used instead of the fuse.
- When doing the cleaning and maintenance, make sure that the operation has been stopped and the manual power switch is in the off position.
- Do not use appliances such as water heater near the valve box. Using appliances producing steam near the valve box may lead to accidents such as water leakage, electric leakage and short circuit when the cooling system is in operation.
- Two-generation valve boxes VP*-*A and VP*-*B can't be mixed used in one system.

Do not install at such places

1. A place that is filled with mineral oil, a kitchen which has oil and steam everywhere, etc., which may cause degradation, falling off and water leakage of the resinous components.
2. A place with corrosive gases such as sulphurous acid gas, which will lead to the corrosion of the copper tube, welding joint, etc., causing refrigerant leakage.
3. A place where machines give out electromagnetic waves, which will lead to abnormality and improper function of the control system.
4. A place with possible leakage of combustible gases, floating of carbon fiber and combustible dust and use of volatile combustible substances such as diluents, the accumulation of which around the machine set will lead to fires.
5. A place where small animals inhabit, whose contacting the inner electrical components may cause faults, smoking, outbreak of a fire, etc.
6. A coastal place with high salinity and a place with great variation in voltage such as a factory, which may cause faults to vehicles and ships.




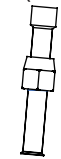




Attention item








Install after making sure that the type of the refrigerant used is R410A. If any other type of refrigerant is used, the machine cannot run.



- Before and after the unpacking, if valve box is to be moved, the hoisting handles (totally 4) shall be held firmly. Do not apply force to other parts, especially a refrigerant tube and an electrical cabinet.
- Concerning the installation of the outdoor and indoor units, refer to the installation specification of each unit.

Accessories

Confirm that the accessories below are packed together.

VP4-450B	Auxiliary pipe							
Quantity	4	4	4	4	1	1	2	1
Shape	①-1 1/4(6.5)  3/8(9.52)	①-2 3/8(9.52)  5/8(15.88)	①-3 1/2(12.9)  5/8(15.88)	①-4 3/4(19.2)  5/8(15.88)	①-5 1/2(12.9)  5/8(15.88)	①-6 3/8(9.7)  5/8(15.88)	①-7 7/8(22.4)  1 1/8(28.58)	①-8 1(25.6)  1 1/8(28.58)

VP4-450B	Auxiliary pipe		Wiring harness	Insulation tube			
Quantity	2	1	42	4	4	4	4
Shape	①-9 5/8(16.1)  7/8(22.22)	①-10 3/4(19.2)  7/8(22.22)		 Ø10	 Ø16	 Ø28	 Ø46

VP4-450B	Nut		Specification
Quantity	4	4	1
Shape	 3/8(9.52)	 5/8(15.88)	

<Entrustment>

Before the installation is completed, do not abandon the accessories needed in installation.

Combinations

- This series is cooling and heating heat recovery models. Only when the system is equipped with valve box, indoor units under different valve boxes can achieve cooling and heating simultaneously. The modes of the indoors which under the same valve box should be the same. If the indoors connected without valve box, the indoors only can do cooling mode. Do not connect the valve box to the common multi-split system, as the former is dedicated to the cooling & heating multi-split system.
- Concerning the model of the connectible indoor unit, see the sample brochure, etc. for confirmation.
- Concerning the total capacity of the indoor unit connected at the downstream of the valve box (the total selected capacity of the models), select in Table 1 according to the quantity (refer to Table 2 for the selected capacity of the model of each indoor unit)

Table1: Total capacity of indoor unit:

Valve Box	Total of four branches		Per branch	
	Total capacity of indoor unit kBtu/h (kW)	Quantity of indoor unit	Total capacity of indoor unit (kW)	Quantity of indoor unit
VP4-450B	< 154 (< 45)	less than 20	< 154 (< 45)	less than 5

Table 2: Capacity measure and selected capacity of the model of indoor unit

Capacity measure	072	092	122	162	182	242	282	302	382
selected capacity (KW)	7.5 (2.2)	9 (2.8)	12 (3.6)	16 (4.5)	18 (5.6)	24 (7.0)	28 (8.0)	30 (9.0)	38 (11.2)

Do not connect the fresh air unit to this system.

Inspection item

Pay much attention to the following during installation. Check them again after completion.

(1) Inspection items after installation

Inspection item	Defect	Inspection column
If the installation of valve box is secure ?	Falling off, vibration and noise	
If gas leakage inspection is completed ?	No heating/cooling	
If complete insulation is achieved (refrigerant piping and tubing connections) ?	Water leakage	
If the voltage of the power supply is consistent with that on the nameplate ?	Out of service, burnt	
If there is improper wiring or piping ?	Out of service, burnt	
If there is construction without grounding ?	Danger in electric leakage	
If the thickness of the wire is as specified ?	Out of service, burnt	

(2) Inspection upon delivery

Inspection item	Inspection column
If the electric box cover is installed	
If the installation specification is transferred to the customer	

1. Pre-installation

The installation location selected shall meet the following conditions and be approved by users.

- The strength shall be sufficient to withstand the weight of the valve box
- There is no significant tilt on the plane.
- Ensure that there is enough space for installation and maintenance.as show in Fig.1
- There is space for inspection on the side and top of the electric box
- The length of piping between the indoor and outdoor units shall be within the permissible range (referring to the specification attached to the outdoor unit).
- Please install the valve box in places where noise will not influence the customers too much (such as washroom, passageway, warehouse, equipment room, etc.). Places with high requirement for quiet are not suggested for installation, such as bedroom, drawing room, meeting room, office, etc.

Note:

- the electrical box can be changed as show in 3 valve box installation.
- When starting up, stop, defrosting, and oil-returning in heating mode , the 4-way valve will veer and create noise. This kind of noise is normal for the running of valve box.
- A noise may be emitted by the valve box as aresult of control during operation or stopping of an indoor unit. If it is installed in the ceiling where it is exposed, take adequate precautions with the installation location.

<Notice item>

- Inspect whether the installation location can sufficiently withstand the weight of valve box and set the hoisting bolts by reinforcing the beam if necessary. Use hoisting bolts in installation (referring to 2 for the preparation before installation).
- Install the power wiring and power line of the valve box at more than 1 m away from TV and radio to prevent the image clutter and noise. But, there may be noise even if it is more than 1m according to the different waves.

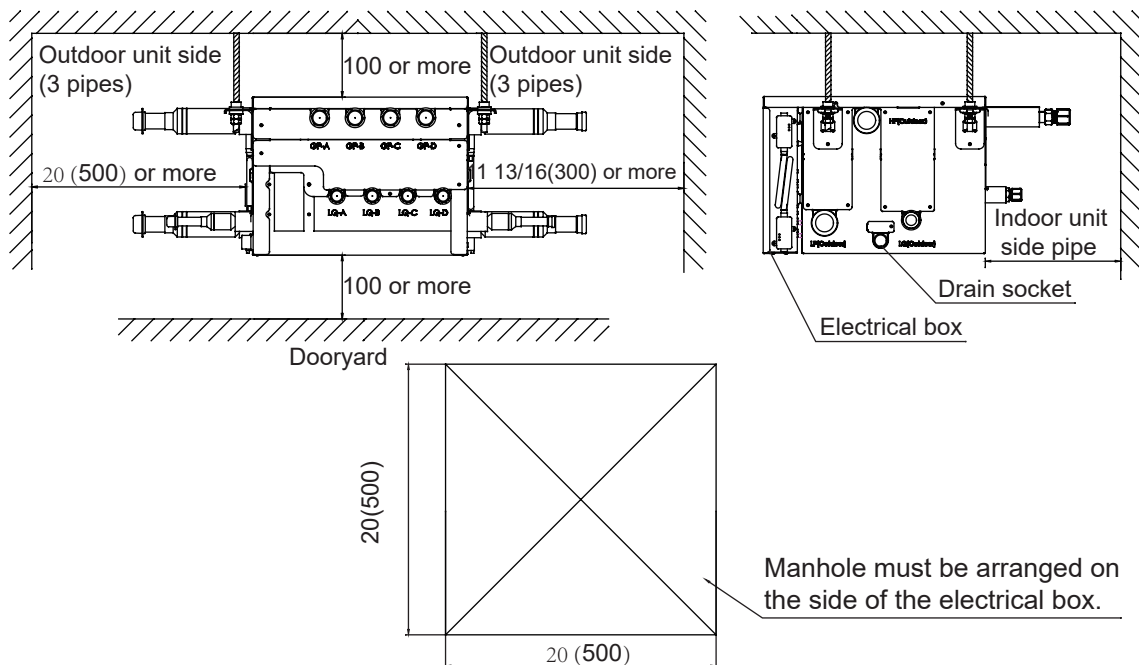
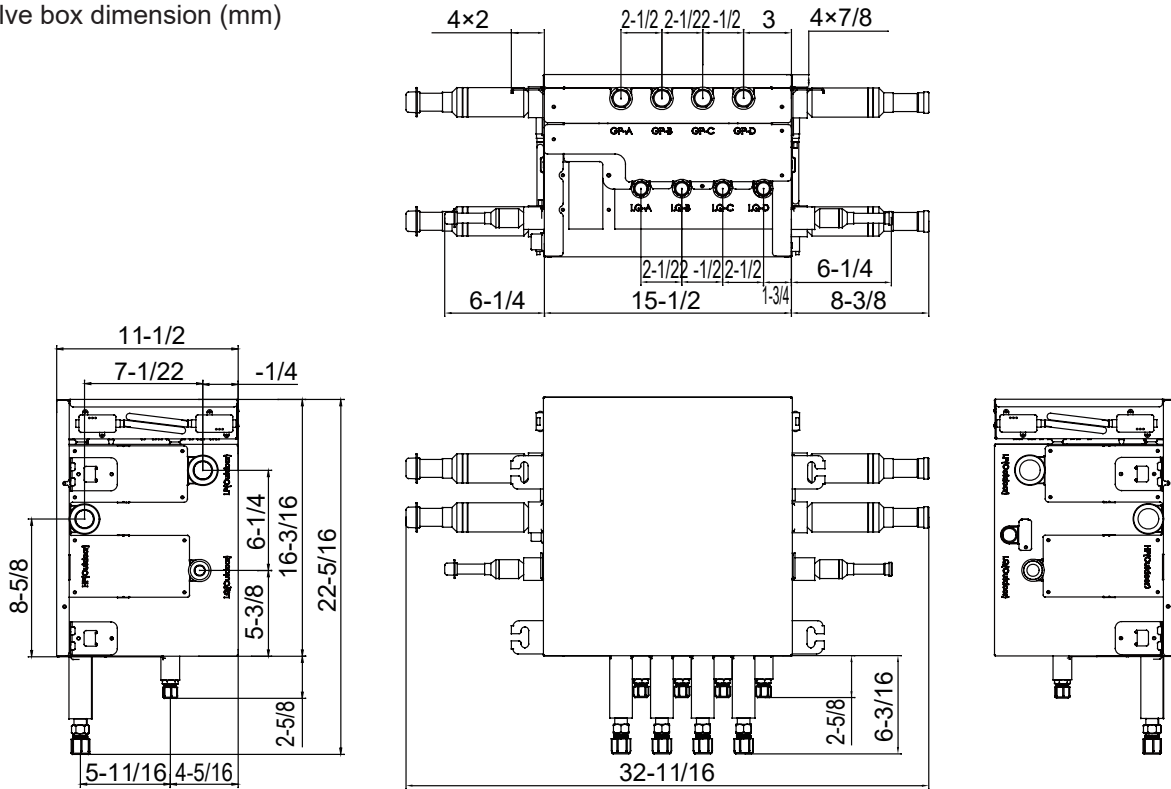


Fig.1

2. Preparation before installation

(1) Valve box dimension (mm)



See the Fig.4 to install the lifting bolts and hoisting tools.

- Use the lifting bolts with the size of M8~M10
- Press insert for new settings. Press hole in anchor if set. Ensure that it can sufficiently withstand the weight of the valve box before installation.

(2) Lifting dimension of valve box

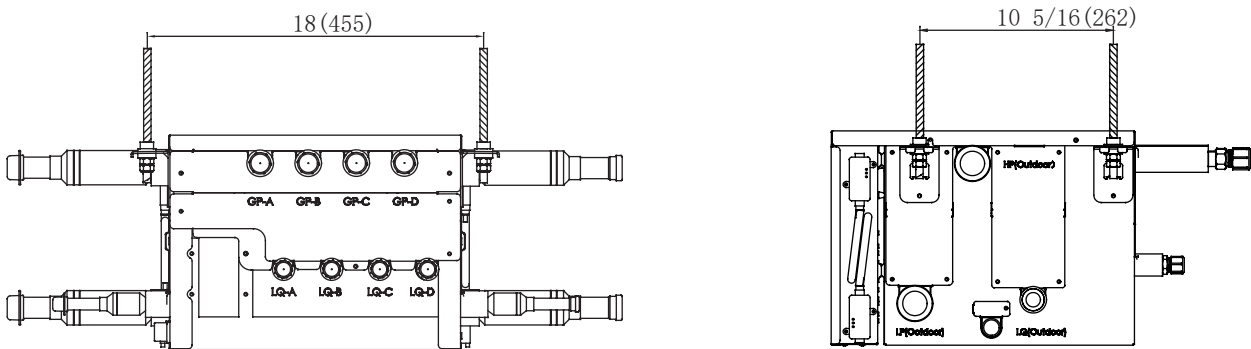
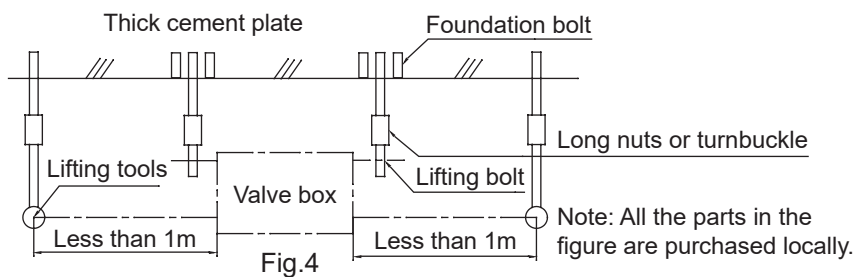


Fig.3 Pitch of lifting bolts



3. Installation of valve box

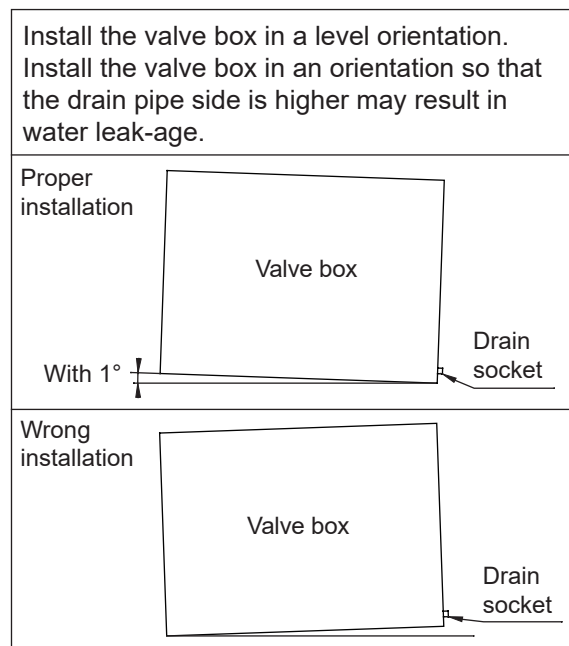
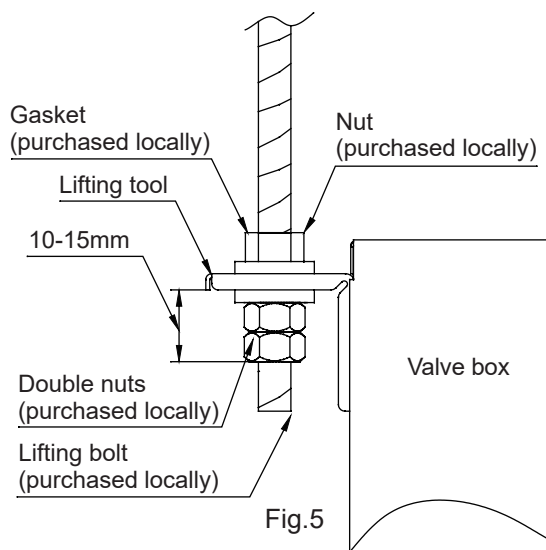
Use parts and components specified for installing the installation components.

Install the all thread rod, washers and nuts according to the instruction of the Fig.5

Be sure to follow the stipulations on products locally purchased to use nuts 3/8" of 3 pieces for 4 positions) and washers on the upper and lower sides of the lifting tools.

<Note>

Be sure that the product must be installed with the top surface (the oblique surface in the Fig.5) upward, or it will not work well and increase the working noise.



4. Refrigerant pipe Installation

- Pipes between the outdoor unit and valve box, selection of refrigerant branching suite, and the Pipe between refrigerant branching suites and the indoor units, please refer to the installation instructions or equipment design data attached to the outdoor unit.
- Before Installation, make sure the type of the refrigerant to be used is R410A. (If a refrigerant other than this type is used, It cannot run properly)
- Please provide thermal insulation at the high-pressure gas pipe, suction gas pipe,, liquid pipe and oil equalizing pipe (pipes for outdoor units in case of multi-split system) and the connections between these pipes. In the absence of thermal insulation, liquid leakage and scalding may happen. Particularly when the high-pressure gas pipe delivers indrawn air under full-refrigeration condition, it needs the same thermal insulation as does the suction gas pipe. Besides, high-pressure gas pipe and suction gas pipe are to deliver high-pressure gas, thus please provide thermal insulation material that can sustain temperature over 120 °C.
- Enhance the insulation material based on the installation environment. The indicators are shown below.
- For RH75%–80% at 86°F (30°C): over 19/32" thick or more.
- For over 80% at 86°F (30°C): over 25/32" thick or more.
- The thermal insulation material surface is prone to condensation if not reinforced. Please refer to the equipment design data for further details.

The high-pressure gas pipe, suction gas pipe, liquid pipe must be provided with reliable thermal insulation. In the absence of thermal insulation, liquid leakage may happen.

The outdoor unit is already filled with refrigerant.

To connect the pipes to valve box or remove them from valve box, do use both spanner and torque wrench, as shown in the Fig.6.

Apply refrigerant oil to outside of the flare. Screw it for 3 to 4 rounds with hands and then tighten it.

Determine the tightening torque. (Excessive tightening may damage the nuts and hence cause leakage)

Check the connecting pipes for gas leakage and then fix the thermal insulation, as shown in the in the Fig.7.

Only use sealing gasket to wrap the part jointing between the gas pipe and thermal insulation.

For pipe cutter and flare tool, please use R410A special tools.

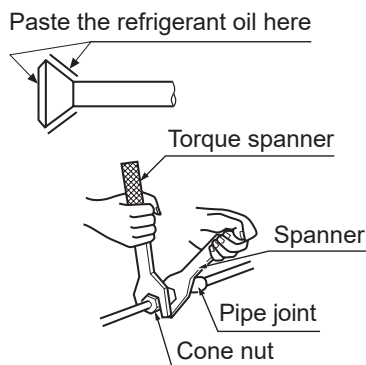


Fig.6

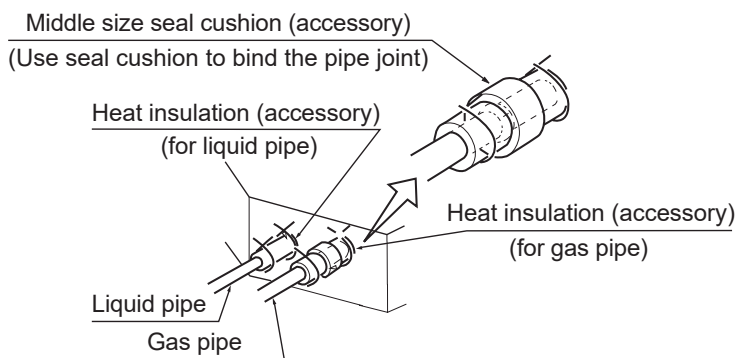


Fig.7

<Notes>

Please do not let any type of gas other than the specified refrigerant go into the refrigeration system;

In case of refrigerant leakage during operation, please replace the gas. (Fill the refrigerant at the outdoor unit)

Select piping material

- Make sure both the internal surface and external surface of the pipes are intact and are free from harmful contaminants such as sulphur, oxide, foreign matter, cutting powder, grease and water.
- Please use the following materials for refrigerant pipe.

Pipe material		Phosphorized copper seamless pipe for air conditioner (TP2)
Model		VP4-450B
Function	High pressure gas pipe	1-1/8" (28.58)
	Suction gas pipe	1-1/8" (28.58)
	Liquid pipe (outdoor side)	5/8"(15.88)
	Gas pipe (indoor side)	5/8"(15.88)
	Liquid pipe (indoor side)	3/8 (9.52)

Wall thickness and size: select proper sizes according to Selection of piping dimensions

- For the permissible maximum length, permissible elevation difference and permissible length after branching, please refer to the installation instructions or technical data attached to the outdoor unit.
- The branching pipe for the pipe must have refrigerant branching suite. For selection of refrigerant branching suite, please refer to the installation instructions or technical data attached to the outdoor unit.

Piping maintenance

During installation, provide maintenance as specified in the table in order to prevent water, foreign matter and dust from entering the pipes.

Location	Work period	Maintenance method
Outdoors	More than 1 month	Screw
	Less than 1 month	Screw or strap
Indoors	—	

Note

Particularly when a pipe is to penetrate through a wall or extend to outdoors, make sure foreign matter and dust etc cannot enter the pipe.

Attention item for piping connection

- To connect a pipe to or remove it from the valve box, do use pliers for screws and torque spanner;
- When installing the valve box, please fix the box and connecting pipes in an efficient way to avoid shaking when changing valve box.
- For the sizes of the flares, please refer to <Table-1>.

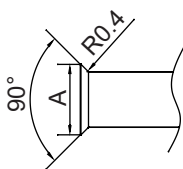
<Note>

- For connection at a flare, apply ester or ether oil to the flare (both inner surface and outer surface). Apply such oil for 3 to 4 times and insert the screw in the first use
- The tightening torque for the flare is given in <Table-1>.

If no torque wrench is available, act as the follows.

- ① Use a spanner to tighten the nut of the flare to a position where the tightening torque sharply increases.
- ② The tightening angle for the position where the tightening torque sharply increases <Table -2>.
- ③ After the work, make sure there is no air leakage.

<Table-1>

Tube size	Tightening torque (N.m)	Machined flare size A (mm)	Flare shape
1/4(6.35)	14.2~17.2	8.7~9.1	
3/8(9.52)	32.7~39.9	12.8~13.2	
1/2(12.7)	49.5~60.3	16.2~16.6	
5/8(15.88)	61.8~75.4	19.3~19.7	
3/4(19.05)	97.2~118.8	23.7—23.9	
7/8(22.22)	117.2~138.8	28.2-28.5	

<Table-2>

Pipe size	Tightening angle	Recommended tool length (mm)
1/4(6.35)	60°~90°	150
3/8(9.52)	60°~90°	200
1/2(12.7)	30°~60°	250
5/8(15.88)	30°~60°	300
3/4(19.05)	20°~35°	450
7/8(22.22)	15°~30°	600

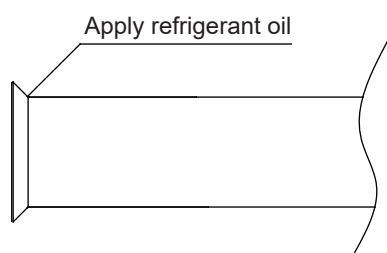


Fig.8

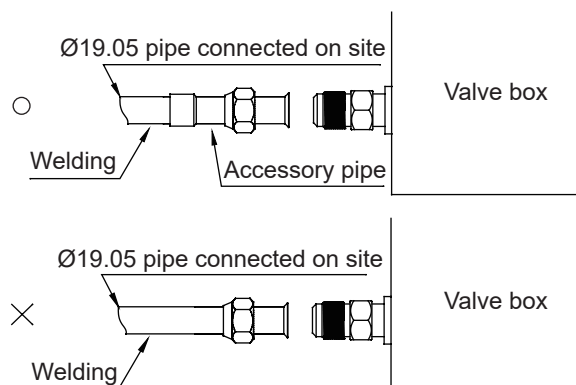


Fig.9

<Note>

- Excessive tightening will result in cracking at the flare and refrigerant leakage.
- To weld the refrigerant pipe, please make nitrogen replacement (*1), or send nitrogen (*2) into the refrigerant pipe while welding the pipe (refer to Fig.10). Finally use the flare or flange to connect the indoor unit and valve box.
- (*1) Nitrogen replacement method is provided in the multi-split system work manual.
- (*2) If nitrogen flowing and welding proceed simultaneously, do use pressure reducing valve. Approximately 0.02 MPa (0.2 Kg/cm with a slight feeling of breeze) pressure is quite proper.

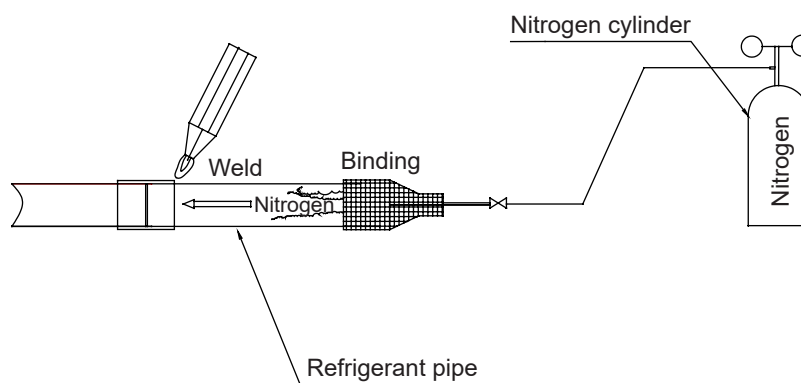


Fig.10

<Note>

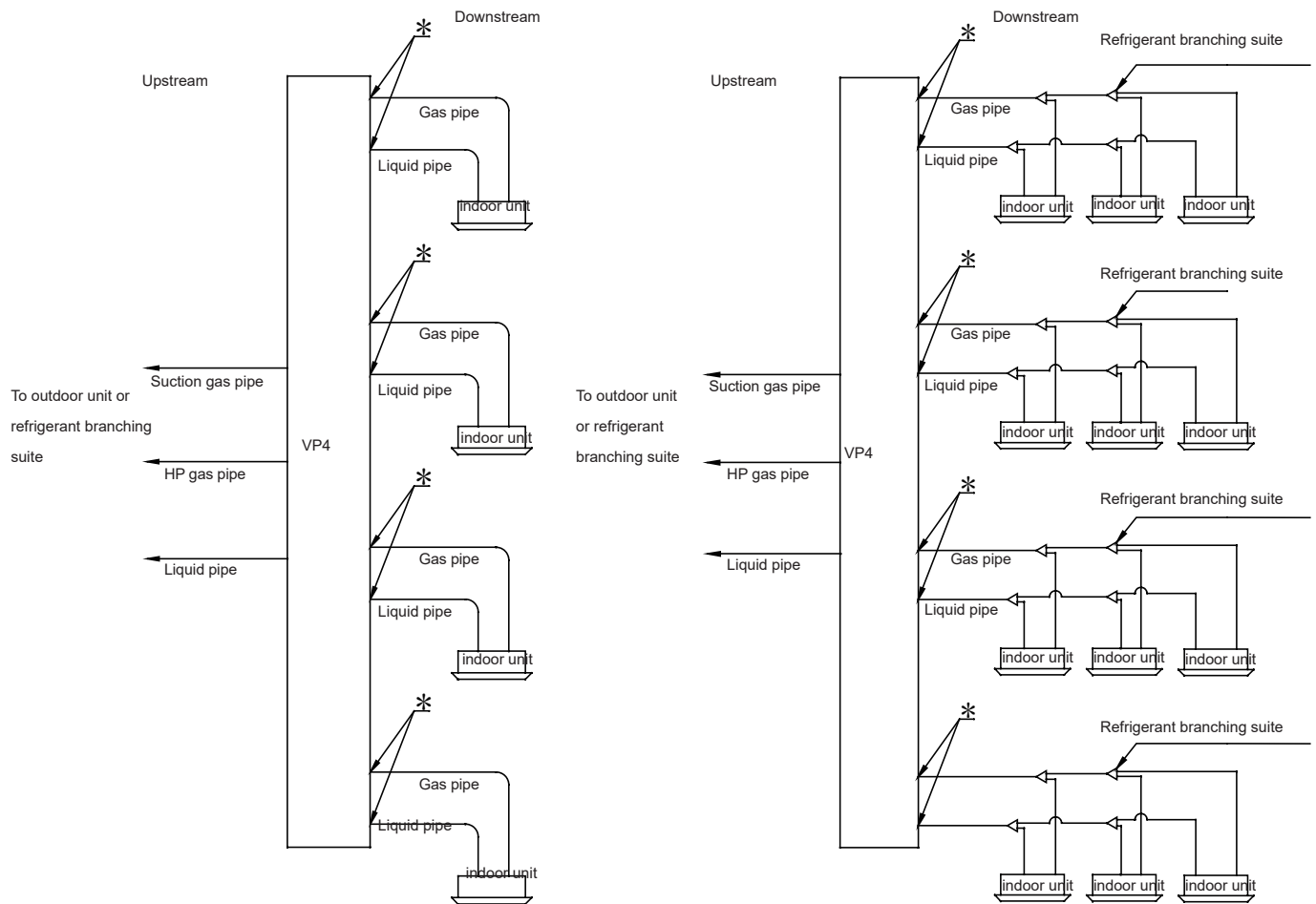
- For pipe welding, do not use antioxidant, for its residue may cause tube blocking and component fault.
- For pipe welding, do not use flux. If the flux is chlorine product, it will corrode the tube; if it contains fluorine, it will even cause detrimental effects to the refrigerant system, such as refrigerant oil deterioration. Please do not use phosphor copper for welding material (BCup-2).

Selection of piping dimensions

Select refrigerant branching dimensions between outdoor units and valve box, between valve box and indoor units according to the following connection examples 1 and 2 and Tables 1-3.

Connection example 1: Connect an indoor unit to the downstream of the valve box

Connection example 2: with branching in the downstream of the valve box



(*) For dimensions of the pipes to the downstream of the valve box, see the table 3. Use the attached pipes for connection in the way shown in Pipe connection according to the pipes dimensions and diameters for indoor unit connection selected in Table 2.

<Table 1> Total capacity and pipe dimensions (mm) of the indoor units

Total capacity of the indoor units Q (kW)	Pipe dimensions (OD × minimum wall thickness)		
	Upstream		
	Suction gas pipe	High pressure gas pipe	Liquid pipe
Q<57.3(Q<16.8)	5/8(15.88)×1.0	5/8(15.88)×1.0	3/8(9.52)×0.8
57.3≤Q<76.4(16.8≤Q<22.4)	3/4(19.05)×1.0	5/8(15.88)×1.0	3/8(9.52)×0.8
76.4≤Q<112.6(22.4≤Q<33)	7/8(22.22)×1.0	3/4(19.05)×1.0	3/8(9.52)×0.8
112.6≤Q<153.5(33≤Q<45)	1-1/8(28.58)×1.2	1(25.4)×1.2	1/2(12.7)×1.0

<Table 2> Dimensions (mm) of connection tube of the indoor units

Indoor (×100W)	Gas pipe (mm)	Liquid pipe (mm)
7.5~9.5(22~28)	3/8(9.52)×0.8	1/4(6.35)×0.8
12.3~19.1(36~56)	1/2(12.7)×0.8	1/4(6.35)×0.8
24.2~38.2(71~112)	5/8(15.88)×1.0	3/8(9.52)×0.8

Note:

High wall 0.8/1HP gas pipe: Ø12.7

High wall 2HP gas pipe/liquid pipe: Ø15.88/Ø9.52

<Table 3> Dimensions (mm) of connection pipe of the valve box

Type of valve box for switch between cooling and heating	Pipe dimensions (OD × minimum wall thickness)				
	High pressure gas pipe	Suction gas pipe	Liquid pipe at the outdoor unit side	Gas pipe of the indoor unit	Liquid pipe at the indoor unit side
VP4-450B	1-1/8(28.58)×1.2	1-1/8(28.58)×1.2	5/8(15.88)×1.0	5/8(15.88)×1.0	3/8(9.52)×0.8

Pipe connection

(*1) Refer to the field pipe

(*2) Please use the flare nut installed on the product body again.

Note:

During installation, please confirm the HP gas pipe and Suction gas pipe between outdoor and valve box (such as by sending nitrogen into the HP gas pipe and Suction gas pipe), then connect Suction gas pipe to the Suction gas pipe of valve box, HP gas pipe to the HP gas pipe of valve box.

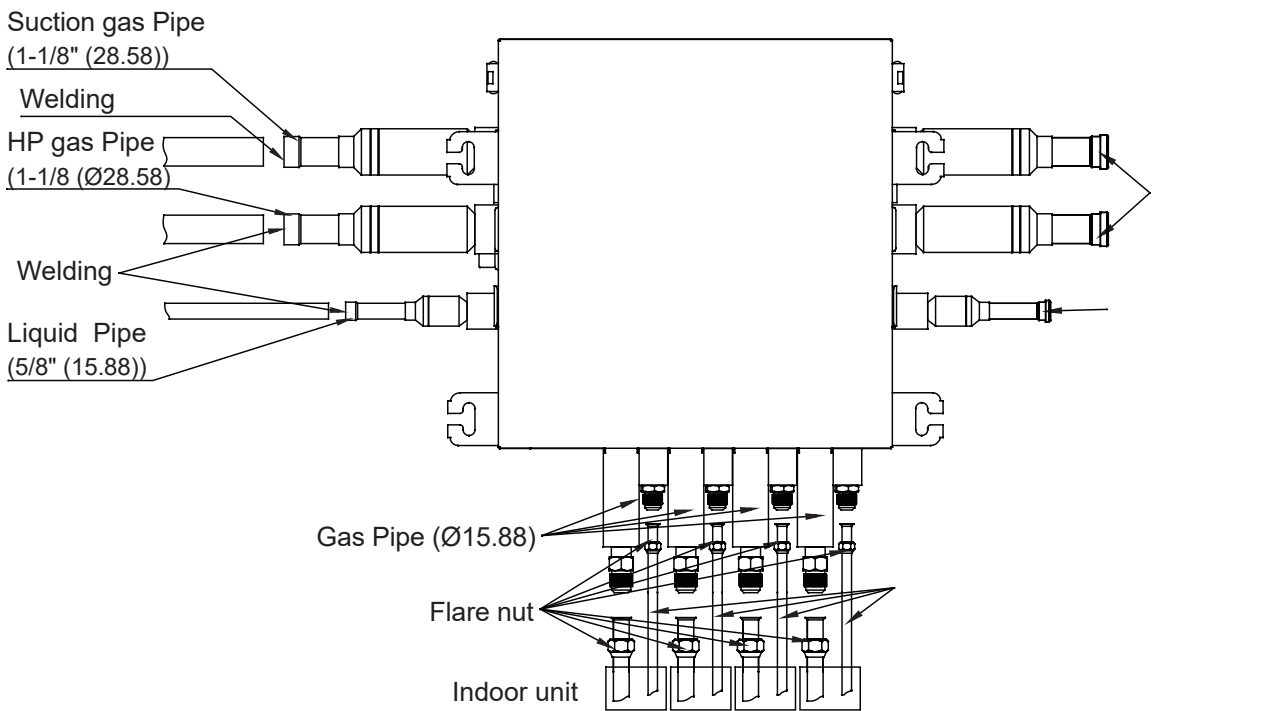
(Note):

When a 072, 092 indoor unit is connected in the downstream, please use the auxiliary pipe ①-1,2 for connection according to Fig.11.

When a 122, 162, 182 indoor unit is connected in the downstream, please use the auxiliary pipe ①-1,3 for connection according to Fig.11.

When a High wall 0.8/1HP indoor unit is connected in the downstream, please use the auxiliary pipe ①-1,3 for connection according to Fig.11.

When an High wall 2HP indoor unit is connected in the downstream, do not use the auxiliary pipe.



Or

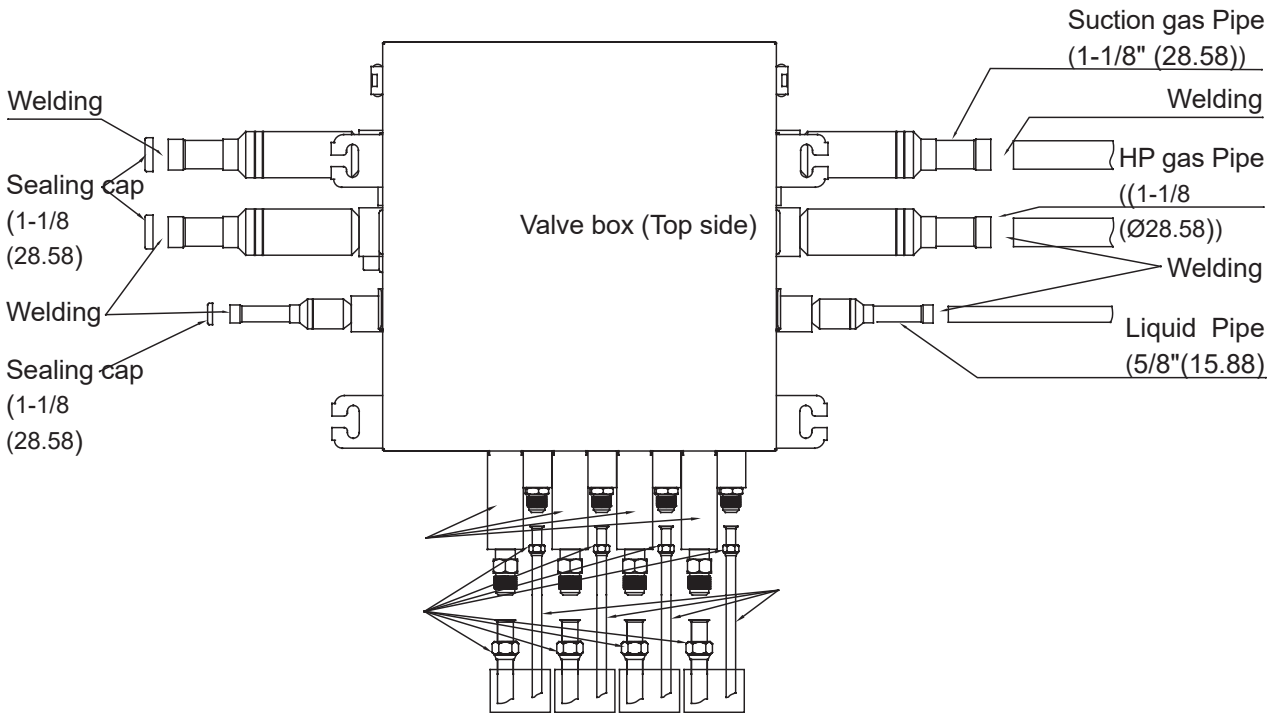


Fig. 11

Pipe insulation

Please use the auxiliary insulation cylinder and anchor for insulation works according to Fig.12 after the gas leakage test.

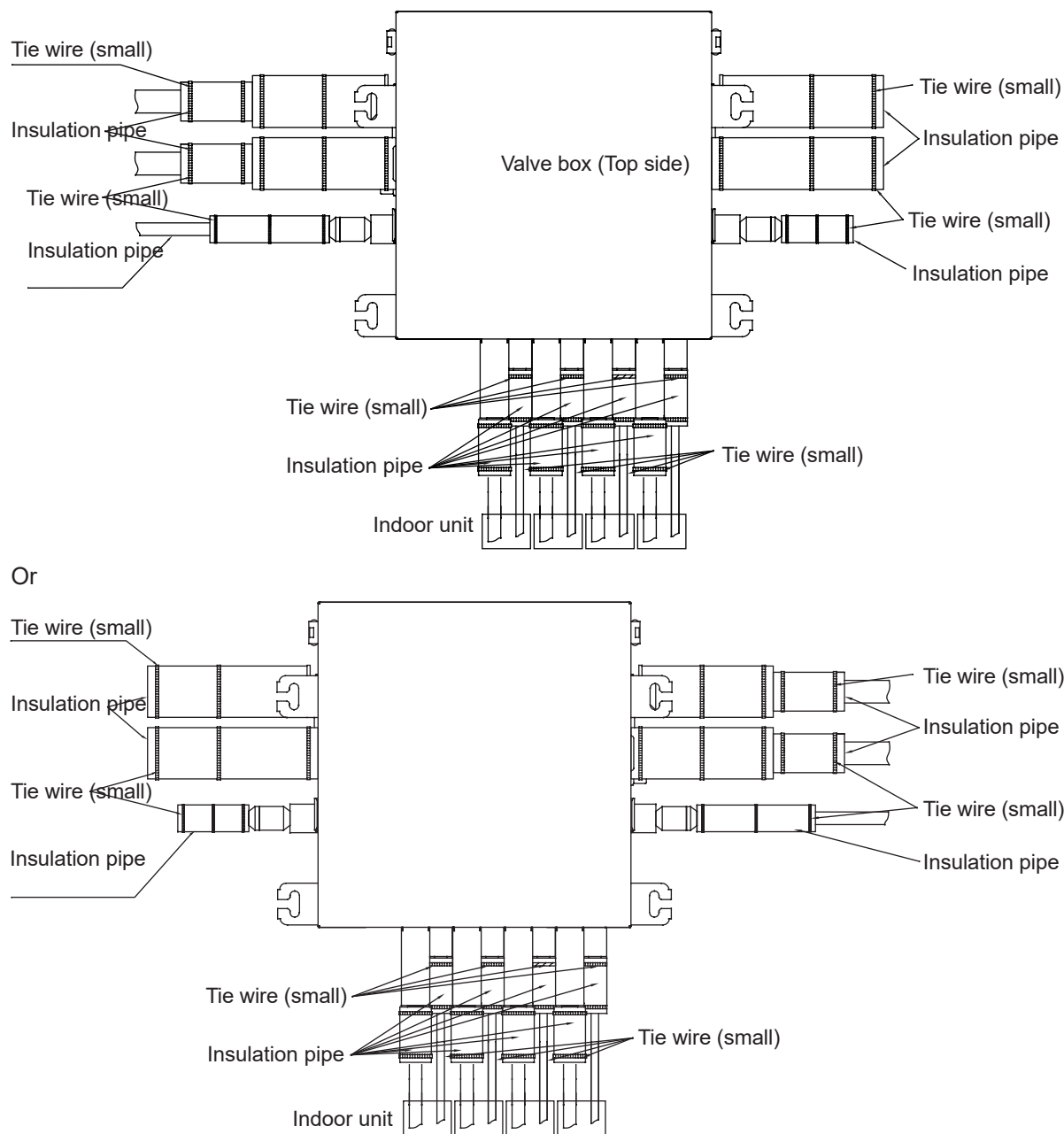


Fig.12

Note 1:

For suction gas pipes, high pressure gas pipe and liquid pipes, gas pipe, flare connections shall be wrapped with insulation materials (purchased locally) when their auxiliary insulation cylinders have been installed.

For installation of insulation materials for the flare nut connections, it shall be cautioned that:

- (1) Please connect it tightly so as to ensure no gas leakage at both ends.
- (2) The retaining clamp shall not be over tight so as to ensure the thickness of the insulation materials.
- (3) Joints of insulation materials (purchased locally) for the upper flare nut connections shall be wrapped upwards.
- (4) Ensure that joints of the insulation materials are installed upwards. (See Fig.13.)

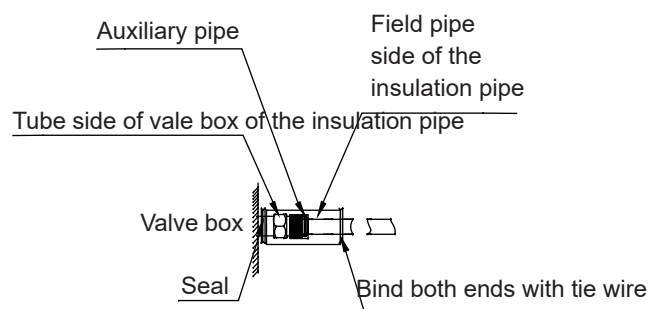


Fig.13

⚠ Warning

- Electrical construction should be made with specific mains circuit by the qualified personnel according to the installation instruction. Electric shock and fire may be caused if the capacity of power supply is not sufficient.
- During arranging the wiring layout, specified cables should be used as the mains line, which accords with the local regulations on wiring. Connecting and fastening should be performed reliably to avoid the external force of cables from transmitting to the terminals. Improper connection or fastness may lead to burning or fire accidents.
- There must be the ground connection according to the criterion. Unreliable grounding may cause electrical shocks. Do not connect the grounding line to the gas pipe, water pipe, lightening rod and telephone line.

⚠ Attention

- Only copper wire can be used. Breaker for electric leakage should be provided, or electric shock may occur.
- The wiring of the mains line is of Y type. The power plug L should be connected to the live wire and plug N connected to null wire while \ominus should be connected to the ground wire. For the type with auxiliary electrically heating function, the live wire and the null wire should not be misconnected, or the surface of electrical heating body will be electrified. If the power line is damaged, replace it by the professional personnel of the manufacturer or service center.
- The power line of valve boxes should be arranged according to the installation instruction of valve boxes.
- The electrical wiring should be out of contact with the high-temperature sections of tubing as to avoid melting the insulating layer of cables, which may cause accidents.
- After connected to the terminal tier, the tubing should be curved into be a U-type elbow and fastened with the pressing clip.
- Controller wiring and refrigerant tubing can be arranged and fixed together.
- The machine can't be powered on before electrical operation. Maintenance should be done while the power is shut down.
- Seal the thread hole with heat insulating materials to avoid condensation.
- Signal line and power line are separately independent, which can't share one line. [Note: the power line, signal line are provided by users. Parameters for power lines are shown as below: $3 \times (1.0-1.5) \text{ mm}^2$; parameters for signal line: $2 \times (0.75-1.25) \text{ mm}^2$ (shielded line)]
- Valve boxes and outdoor units should be connected to the power source separately. All valve boxes must share one single electrical source, but its capacity and specifications should be calculated. Indoor & outdoor units should be equipped with the power leakage breaker and the overflow breaker.
- Valve box can be installed in multiple, named as unit A, unit B.... Pay attention to the marks on the terminal block when connecting the outdoor unit with the indoor unit. Refer to wiring example as described in 5-2 while ensuring correct connection. In addition, the operation will be abnormal when the wiring and the tubing between indoor and outdoor machine sets are installed in different refrigerant systems.
- Energization is not to be done before it's confirmed that the valve box have completely installed and that the outdoor and indoor installation is completed.

The wiring for the power line and signal line of valve box

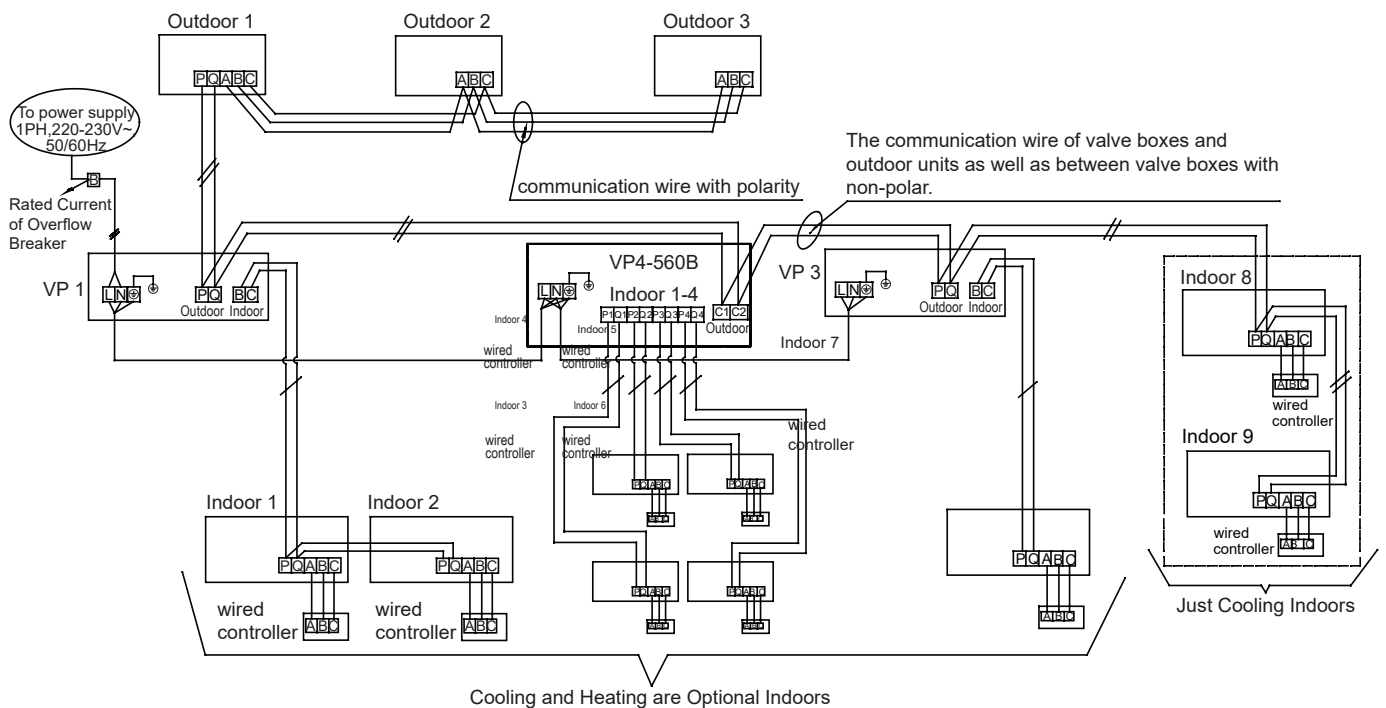
The wiring for the power line of valve box, the wiring for the signal line between valve boxes and outdoor units as well as the wiring between valve boxes.

Total Current of valve boxes (A)	Items	Cross Section (mm ²)	Rated Current of Overflow Breaker (A)	Rated Current of Power Leakage Breaker (A) Leaking Current (mA) Operating Period (S)	Cross Sectional Area of Signal Line	
					Outdoor-valve box (mm ²)	Valve box-valve box (mm ²)
<15		6(2.5)	15	15A, 30mA, 0.1S or below	2cores ×0.75-2.0 mm ² shielded line	

- Power cable and communication wire must be fixed firmly.
- Each valve box must be earthed well.
- When power cable exceeds the range, thicken it appropriately.
- Shielded layer of communication wires must be connected together and be earthed at single point.
- Communication wire total length cannot exceed 1000m.

Graphical representation for wiring

Connect the communication terminal block P and Q of the main unit of the outdoor units with the communication terminal block P and Q of the first valve box (VP 1).



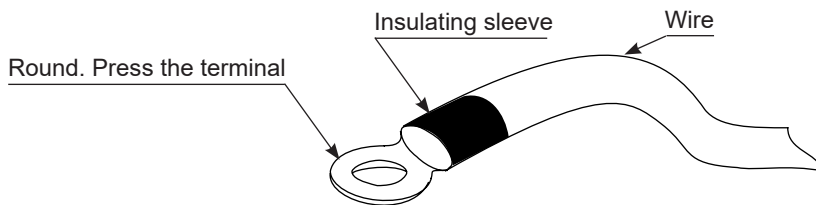
Notes:

- (1) The above wiring example is only for reference. The number of valve boxes and indoor units shall be subject to the field installation.
- (2) Communication line from cooling-only indoor unit may be connected to the communication terminal block P and Q (outdoor) of the valve box.

(3) Two-core nonpolar communication line with shield shall be adopted for communication lines between the valve box and the indoor/outdoor unit. Three-core polar communication line with distinguished polarities and shield shall be adopted for the wire controller connected to the indoor unit.

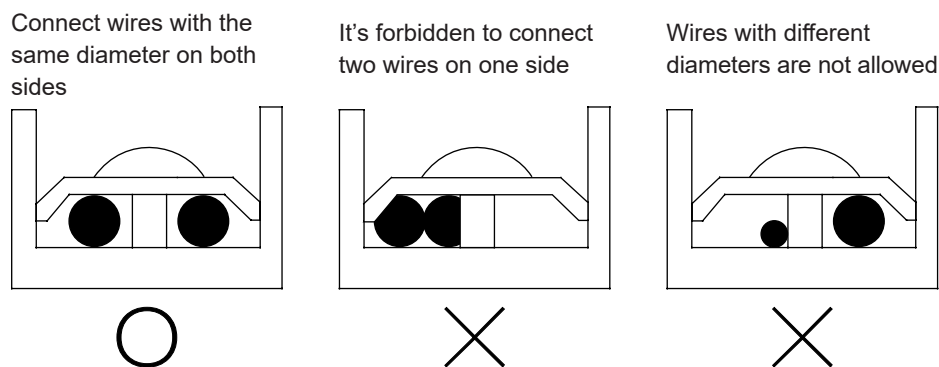
(4) All valve boxes within one system may share one overcurrent breaker for power supply. But it's necessary to compute total current capacity specification.

(5) For wiring harness connected to the power terminal block, the terminal shall be pressed with a round (refer to the following figure).



1) The power terminal block shall not be crimped with 2 wires of different diameters. Otherwise, poor crimp connection and looseness may lead to abnormal heating or sparking of the line.

2) Refer to the following figure for crimping wires with the same diameter.



(6) Tighten terminal screws with proper screw driver. Screw driver of small dimension will damage the screw head and fail to tighten properly.

(7) If terminal screws are tightened excessively, they may be damaged. Refer to the following table for tightening torques of terminal screws:

Dimension of terminal screw	Tightening torque (N.m)
M3.5 (terminal block for communication line)	0.80~0.96
M4 (terminal block for power line)	1.18~1.44
M4 (terminal block for ground wire)	1.52~1.86

(8) Power line is forbidden to the communication terminal block because it will damage the circuit control board.

(9) Wiring of communication lines shall be within the following scope. Exceeding the limit will possibly lead to abnormal communication.

1) The maximum wiring length between the outdoor machine and the valve cage, the valve cage and the indoor machine, and between valve cages is 1000 m at most. The total wiring length is 2000m at most. The maximum branch number is 16.

2) The maximum wiring length between the valve cage and the wire controller for switching working modes is 500 m at most.

14. Appendix

14.1 Branch Pipe Dimension

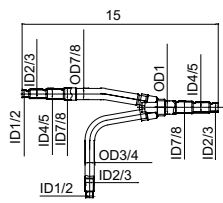
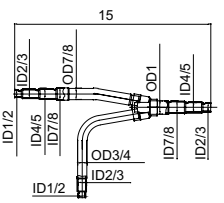
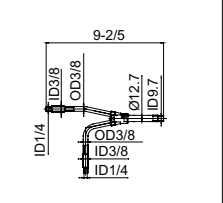
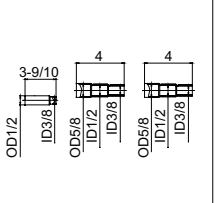
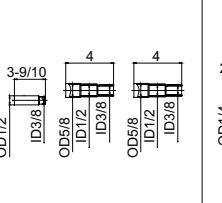

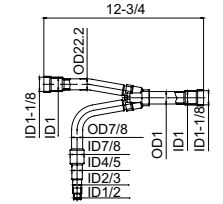
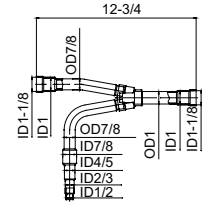
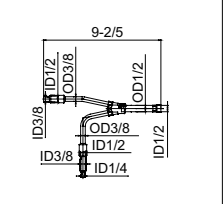
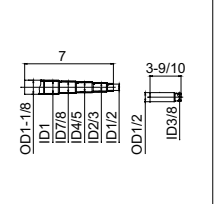
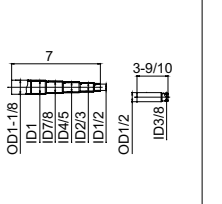
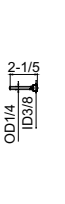
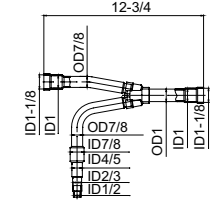
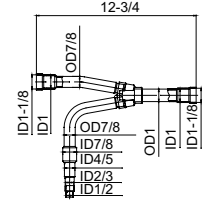
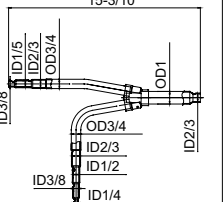
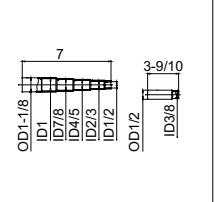
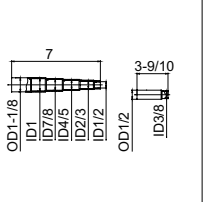
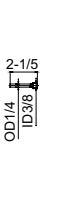
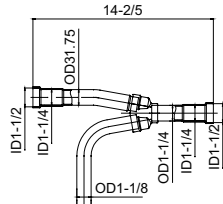
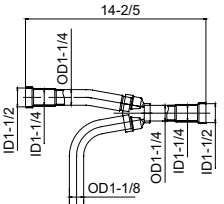
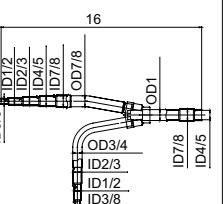
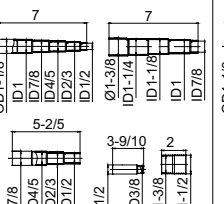
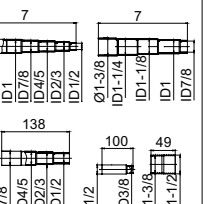
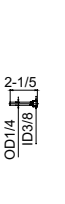
Branch pipe dimension

3-pipe system

FQG-R335A FQG-R506A FQG-R730A FQG-R1350A

Note: Cut off the pipe from its middle when using.

Unit: in. , ID: inner diameter, OD: outer diameter

	Suction gas branch pipe	HP gas branch pipe	Liquid branch pipe	Suction gas manifold pipe	HP gas manifold pipe	Liquid manifold pipe
FQG-R335A						
FQG-R506A						
FQG-R730A						
FQG-R1350A						

2-pipe system

Unit: in. ; ID: inner diameter;

Model	Gas side branch pipe	Liquid side branch pipe	Gas side connection of branch pipe	Liquid side connection of branch pipe
FQG-B335A				
FQG-B506A				
FQG-B730A				

Model	Gas side branch pipe	Liquid side branch pipe	Gas side connection of branch pipe	Liquid side connection of branch pipe
FQG-B1350A				

14.2 Gather Pipe Dimension

Gather pipe is used for combination of outdoor unit. HZG-R20B (for 2 basic modules), HZG-R30B (for 3 basic modules)

Note: Cut off the pipe from its middle when using.

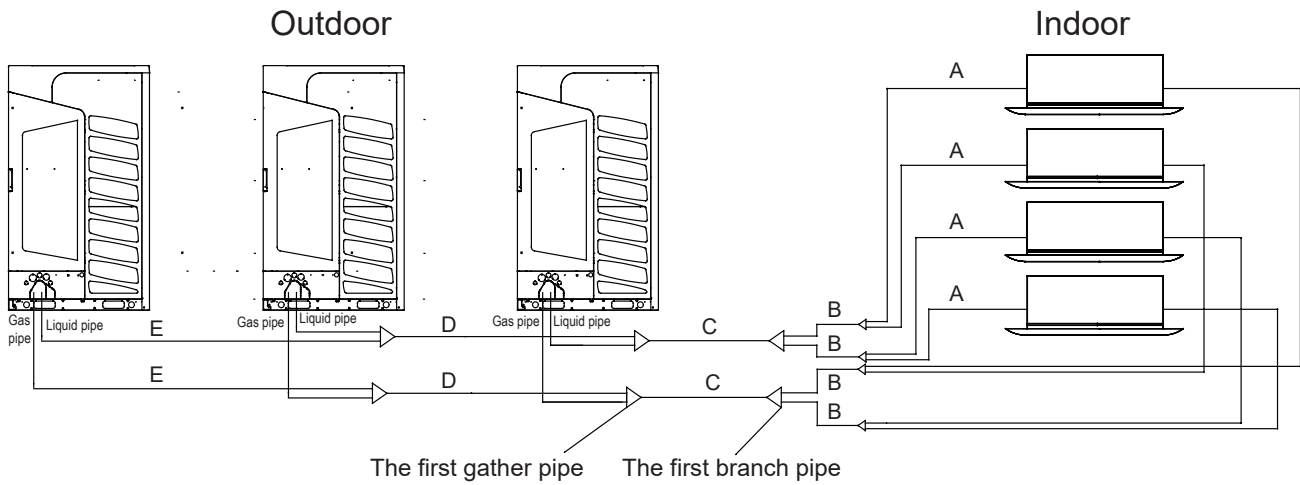
Unit: in., ID: inner diameter, OD: outer diameter

Model	Side	Mark	Manifold pipe	Insulation material	Side	Mark	Connection of manifold pipe
HZG-R20B	Suction gas side	A			Suction gas side	1	
	HP gas side	B			HP gas side	2	
	Liquid side	C			Liquid side	3	

Model	Side	Mark	Manifold pipe	Insulation material	Side	Mark	Connection of manifold pipe
HZG-R30B	Suction gas side	D			Suction gas side	4	
		E				5	
	HP gas side	F			HP gas side	6	
		G				7	
		H				8	
	Liquid side	I			Liquid side	9	

14.3 Piping Principles

Pipe specification



1. Pipe "A" diameter (between indoor units and branch pipe, diameter unit:in.(mm))

Indoor rated capacity kBTu/h(kW)	Gas pipe in.(mm)	Connecting method	Liquid pipe in.(mm)	Connecting method	Note
$X \leq 9.6 (X \leq 2.8)$	3/8(Ø9.52)	Flared	1/4(Ø6.35)	Flared	1.MVAB005/007/009MV2AA;MVAL007/009ME2AA;MVAL009MV2AA;MVAM007/009ME2AA;MVAW007/009MV2AA;MVAD007/009MV2AA;MVAO005/007/009ME2AA gas/liquid pipe diameter are 1/2in./1/4in.(Ø12.7mm/Ø6.35mm) 2.MVAL018ME2AA gas/liquid pipe diameter are 5/8in./3/8in.(Ø15.88mm/Ø9.52mm)
$9.6 < X \leq 19.2 (2.8 < X \leq 5.6)$	1/2(Ø12.7)		1/4(Ø6.35)		
$19.2 < X \leq 61.5 (5.6 < X \leq 18)$	5/8(Ø15.88)		3/8(Ø9.52)		
$61.5 < X \leq 102.4 (18 < X \leq 30)$	7/8(Ø22.22)	Braze	1/2(Ø12.7)		
$102.4 < X \leq 204.8 (30 < X \leq 60)$	1-1/8(Ø28.58)		1/2(Ø12.7)		

- 1) When pipe length between indoor and the nearest branch pipe > 49ft(15m);
- 2) When pipe length between the first branch pipe and the farthest indoor > 130ft(40m);
- 3) When the height difference between indoor units > 59ft(18m);

If the pipe is in one of above three conditions, adjust the pipe diameter as following:

- (1) Indoor rated capacity ≤ 19.2 kBTu/h(5.6kW), change gas/liquid pipe diameter to 5/8in./3/8in.(Ø15.88mm/Ø9.52mm), MVAL018ME2AA keeps the original pipe diameter.
- (2) 19.2 kBTu/h(5.6kW) < indoor rated capacity ≤ 61.5 kBTu/h(18kW), change gas/liquid pipe diameter to 3/4in./3/8in.(Ø19.05mm/Ø9.52mm).
- (3) 61.5 kBTu/h(18kW) < indoor rated capacity, keep the original pipe diameter, no need to be enlarged.

Please purchase the pipe reducer from local supplier.

2. Pipe "B" diameter (between branch pipes, diameter unit:in.(mm))

Total indoor capacity after the branch pipe kBTu/h(kW)	Gas pipe in.(mm)	Liquid pipe in.(mm)
$X < 47.8 (X < 14)$	Refer to pipe "A" diameter rules	
$47.8 \leq X < 57.4 (14 \leq X < 16.8)$	5/8(Ø15.88)	3/8(Ø9.52)
$57.4 \leq X < 96 (16.8 \leq X < 28)$	3/4(Ø19.05)	3/8(Ø9.52)
$96 \leq X < 114.4 (28 \leq X < 33.5)$	7/8(Ø22.22)	3/8(Ø9.52)
$114.4 \leq X < 153.6 (33.5 \leq X < 45)$	1-1/8(Ø28.58)	1/2(Ø12.7)
$153.6 \leq X < 242.3 (45 \leq X < 71)$	1-1/8(Ø28.58)	5/8(Ø15.88)
$242.3 \leq X < 344.7 (71 \leq X < 101)$	1-3/8(Ø34.9)	3/4(Ø19.05)
$344.7 \leq X < 539.1 (101 \leq X < 158)$	1-5/8(Ø41.3)	3/4(Ø19.05)
$539.1 \leq X < 634.7 (158 \leq X < 186)$	1-5/8(Ø41.3)	3/4(Ø19.05)

- 1) When pipe length between the first branch pipe and the farthest indoor unit > 130ft(40m), pipe "B"(both gas&liquid pipe diameter should be enlarged one size.

*Size enlarged as following order: 1/4in.-3/8in.-1/2in.-5/8in.-3/4in.-7/8in.(Ø6.35mm-Ø9.52mm-Ø12.7mm-Ø15.88mm-Ø19.05mm-Ø22.22mm). If the original pipe diameter $\geq 7/8$ in.(Ø22.22mm), no pipe enlarging is required.

Installation procedures

3. Pipe "C" diameter (main pipe, between the first gather pipe and the first branch pipe, diameter unit:in.(mm))

Outdoor capacity (Ton)	Outdoor capacity (kBtu/h)	Main pipe		Enlarged main pipe	
		Gas pipe in.(mm)	Liquid pipe in.(mm)	Gas pipe in.(mm)	Liquid pipe in.(mm)
06	72	7/8(Ø22.22)	3/8(Ø9.52)	7/8(Ø22.22)	1/2(Ø12.7)
08	96	7/8(Ø22.22)	1/2(Ø12.7)	7/8(Ø22.22)	5/8(Ø15.88)
10	120	1-1/8(Ø28.58)	1/2(Ø12.7)	1-1/8(Ø28.58)	5/8(Ø15.88)
12	144	1-1/8(Ø28.58)	1/2(Ø12.7)	1-1/8(Ø28.58)	5/8(Ø15.88)
14	168	1-1/8(Ø28.58)	5/8(Ø15.88)	1-1/8(Ø28.58)	3/4(Ø19.05)
16	192	1-1/8(Ø28.58)	5/8(Ø15.88)	1-1/8(Ø28.58)	3/4(Ø19.05)
18	216	1-1/8(Ø28.58)	5/8(Ø15.88)	1-1/8(Ø28.58)	3/4(Ø19.05)
20	240	1-3/8(Ø34.9)	5/8(Ø15.88)	1-3/8(Ø34.9)	3/4(Ø19.05)
22	264	1-3/8(Ø34.9)	3/4(Ø19.05)	1-3/8(Ø34.9)	7/8(Ø22.22)
24	288	1-3/8(Ø34.9)	3/4(Ø19.05)	1-3/8(Ø34.9)	7/8(Ø22.22)
26	312	1-5/8(Ø41.3)	3/4(Ø19.05)	1-5/8(Ø41.3)	7/8(Ø22.22)
28	336	1-5/8(Ø41.3)	3/4(Ø19.05)	1-5/8(Ø41.3)	7/8(Ø22.22)
30	360	1-5/8(Ø41.3)	3/4(Ø19.05)	1-5/8(Ø41.3)	7/8(Ø22.22)
32	384	1-5/8(Ø41.3)	3/4(Ø19.05)	1-5/8(Ø41.3)	7/8(Ø22.22)
34	408	1-5/8(Ø41.3)	3/4(Ø19.05)	1-5/8(Ø41.3)	7/8(Ø22.22)
36	432	1-5/8(Ø41.3)	3/4(Ø19.05)	1-5/8(Ø41.3)	7/8(Ø22.22)

- 1) When the pipe length between the first gather pipe and the farthest indoor unit >295ft(90m);
- 2) When height difference between indoor and outdoor units >130ft(40m)/164ft(50m)(Outdoor unit is under/above),If the pipe is in one of above two conditions, adjust the pipe diameter as pipe "C" diameter rules.

4. Pipe "D" diameter (between gather pipes, diameter unit:in.(mm))

Total capacity of connected outdoors Ton(kBtu/h)	Gas pipe in.(mm)	Liquid pipe in.(mm)
X≤12(144)	1-1/8(Ø28.58)	1/2(Ø12.7)
12<X≤20(240)	1-1/8(Ø28.58)	5/8(Ø15.88)
20<X≤24(288)	1-3/8(Ø34.9)	3/4(Ø19.05)

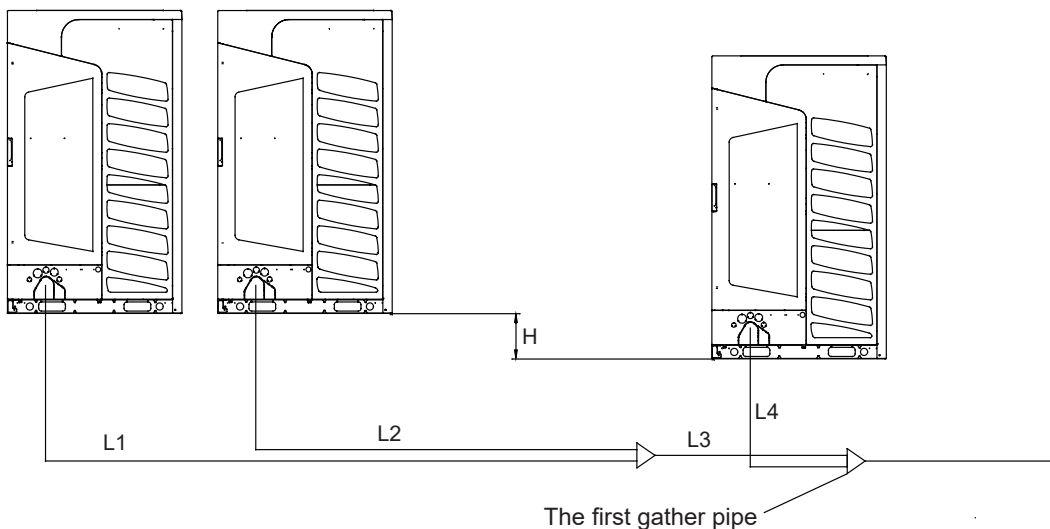
5. Pipe "E" diameter (between outdoor units and the gather pipe, diameter unit:in.(mm))

Outdoor (Ton)	Gas pipe		Liquid pipe	
	Pipe diameter in.(mm)	Connecting method	Pipe diameter in.(mm)	Connecting method
6	7/8(Ø22.22)	Braze	3/8(Ø9.52)	Flared
8	7/8(Ø22.22)		1/2(Ø12.7)	
10	1-1/8(Ø28.58)		1/2(Ø12.7)	
12	1-1/8(Ø28.58)		1/2(Ø12.7)	

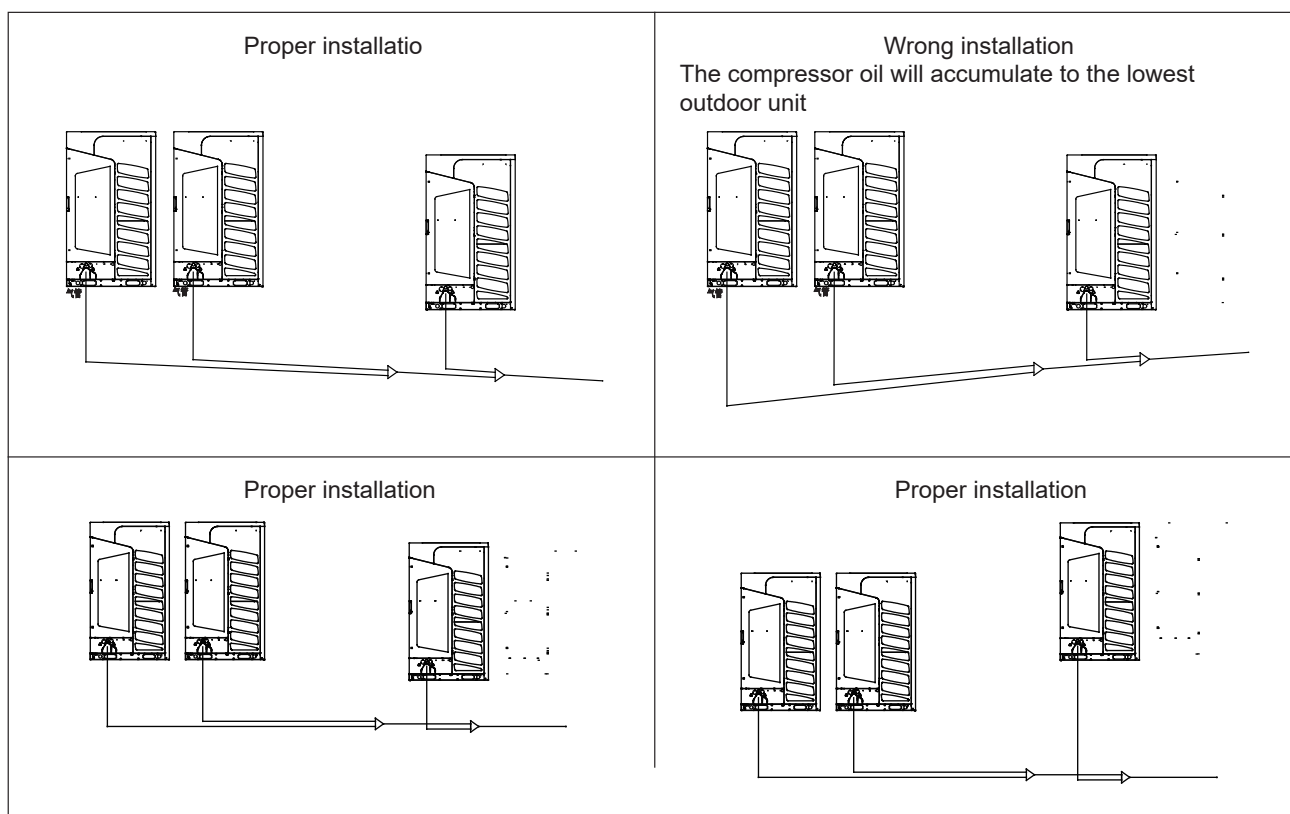
Installation procedures

Allowable piping length and drop between indoor and outdoor

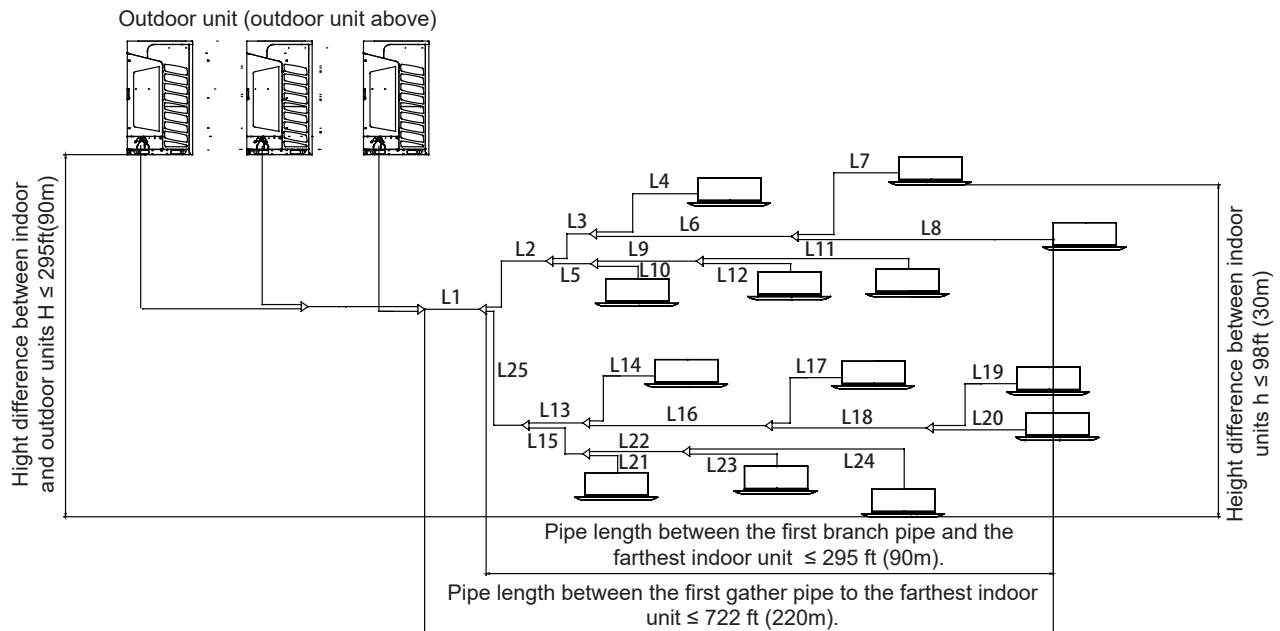
1. Pipe length between outdoors



1. Pipe length between outdoor units and the first gather pipe should be $\leq 33\text{ft}$ (10m); $L1+L3 \leq 33\text{ft}$ (10m); $L2+L3 \leq 33\text{ft}$ (10m); $L4 \leq 33\text{ft}$ (10m).
2. Height difference between outdoor units: $H \leq 16\text{ft}$ (5m).
3. The gather pipe must be placed horizontally or in accordance with the installation of a certain angle (level angle less than 15 degrees). The first gather pipe can be vertical installed.
4. All horizontal piping connect the outdoor unit cannot be higher than the outdoor stop valve.



2. Allowable pipe length and height difference between indoor and outdoor



Pipe length and height difference ft(m)		Allowable value ft(m)	For example
Single way total pipe length		$\leq 3280(1000)$	$L1+2*(L2+L3+L5+L6+L9+L13+L15+L16+L18+L22+L25)+L4+L7+L8+L10+L11+L12+L14+L17+L19+L20+L21+L23+L24$
Pipe length between the first gather pipe to the farthest indoor unit	Actual length	$\leq 722(220)^{*1}$	$L1+L2+L3+L6+L8$
	Equivalent length	$\leq 854(260)$	
Pipe length between the first gather pipe and the first branch pipe(Main pipe)		$\leq 426(130)$	$L1$
Pipe length between the first branch pipe and the farthest indoor unit		$\leq 295(90)^{*2}$	$L2+L3+L6+L8$
Pipe length between indoor units and the nearest branch pipe		$\leq 131(40)^{*3}$	$L4\setminus L7\setminus L8\setminus L10\setminus L11\setminus L12\setminus L14\setminus L17\setminus L19\setminus L20\setminus L21\setminus L23\setminus L24$
Pipe length difference between the nearest indoor unit and the farthest indoor unit		$\leq 131(40)$	$L2+L3+L6+L8-L2-L5-L10$
Height difference between indoor and outdoor units	Outdoor unit above	$\leq 295(90)^{*4}$	H
	Outdoor unit under	$\leq 360(110)^{*5}$	
Height difference between indoor units		$\leq 98(30)^{*6}$	h

*1. Standard length $\leq 295\text{ft}(90\text{m})$, if $> 295\text{ft}(90\text{m})$, enlarge the pipe diameter as pipe "C" diameter rules.

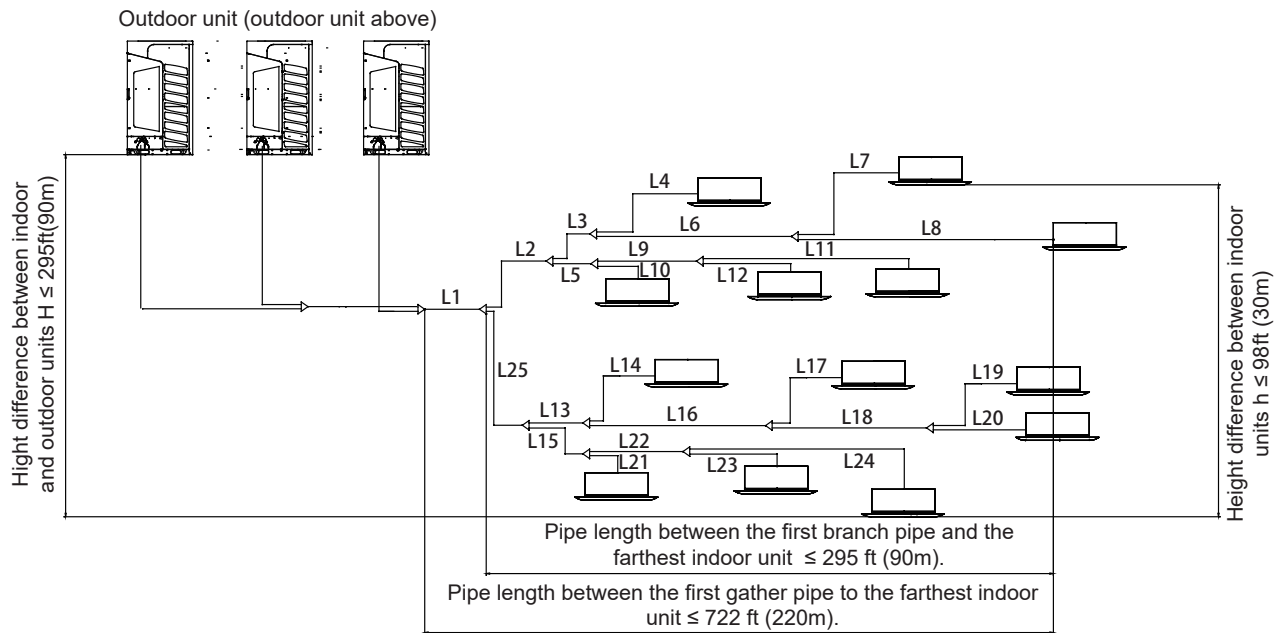
*2. Standard length $\leq 130\text{ft}(40\text{m})$, if $> 130\text{ft}(40\text{m})$, the pipe between the first branch and the farthest indoor unit need to enlarge one size(refer to pipe "A" & "B" diameter rules).

*3. Standard length $\leq 49\text{ft}(15\text{m})$, if $> 49\text{ft}(15\text{m})$, the pipe between the nearest indoor unit and the farthest indoor unit need to enlarge one size(refer to pipe "A" diameter rules).

*4. Standard height difference $\leq 164\text{ft}(50\text{m})$, if $164\text{ft}(50\text{m}) < X \leq 230\text{ft}(70\text{m})$, need meet following conditions:

- 1) Indoor rated capacity/corrected outdoor capacity $\leq 130\%$;
- 2) Set long pipe mode from outdoor PCB;
- 3) Gas pipe and liquid pipe of main pipe need to enlarge one size, refer to pipe "C" diameter rules.

2. Allowable pipe length and height difference between indoor and outdoor



Pipe length and height difference ft(m)		Allowable value ft(m)	For example
Single way total pipe length		$\leq 3280(1000)$	$L1+2*(L2+L3+L5+L6+L9+L13+L15+L16+L18+L22+L25)+L4+L7+L8+L10+L11+L12+L14+L17+L19+L20+L21+L23+L24$
Pipe length between the first gather pipe to the farthest indoor unit	Actual length	$\leq 722(220)^{*1}$	$L1+L2+L3+L6+L8$
	Equivalent length	$\leq 854(260)$	
Pipe length between the first gather pipe and the first branch pipe(Main pipe)		$\leq 426(130)$	$L1$
Pipe length between the first branch pipe and the farthest indoor unit		$\leq 295(90)^{*2}$	$L2+L3+L6+L8$
Pipe length between indoor units and the nearest branch pipe		$\leq 131(40)^{*3}$	$L4\setminus L7\setminus L8\setminus L10\setminus L11\setminus L12\setminus L14\setminus L17\setminus L19\setminus L20\setminus L21\setminus L23\setminus L24$
Pipe length difference between the nearest indoor unit and the farthest indoor unit		$\leq 131(40)$	$L2+L3+L6+L8-L2-L5-L10$
Height difference between indoor and outdoor units	Outdoor unit above	$\leq 295(90)^{*4}$	H
	Outdoor unit under	$\leq 360(110)^{*5}$	
Height difference between indoor units		$\leq 98(30)^{*6}$	h

*1. Standard length $\leq 295\text{ft}(90\text{m})$, if $> 295\text{ft}(90\text{m})$, enlarge the pipe diameter as pipe "C" diameter rules.

*2. Standard length $\leq 130\text{ft}(40\text{m})$, if $> 130\text{ft}(40\text{m})$, the pipe between the first branch and the farthest indoor unit need to enlarge one size(refer to pipe "A" & "B" diameter rules).

*3. Standard length $\leq 49\text{ft}(15\text{m})$, if $> 49\text{ft}(15\text{m})$, the pipe between the nearest indoor unit and the farthest indoor unit need to enlarge one size(refer to pipe "A" diameter rules).

*4. Standard height differences $\leq 164\text{ft}(50\text{m})$, if $164\text{ft}(50\text{m}) < X \leq 230\text{ft}(70\text{m})$, need meet following conditions:

- 1) Indoor rated capacity/corrected outdoor capacity $\leq 130\%$;
- 2) Set long pipe mode from outdoor PCB;
- 3) Gas pipe and liquid pipe of main pipe need to enlarge one size, refer to pipe "C" diameter rules.

4) If single way total pipe length > 1640ft(500m), need to add compressor oil 3.5Oz/100ft(pipe length less than 100ft, count as 100ft).
 For example, if the total pipe length is 2034ft(620m), then we should add 14Oz compressor oil.
 If > 230ft(70m), please contact the local qualified serviceman or supplier. (If > 230ft(70m), There is same warning in selection software popping up).

*5. Standard height difference ≤ 130ft(40m), if > 130ft(40m), please refer to *4 rules

*6. 1) Standard height difference ≤ 59ft(18m), if > 59ft(18m), the pipe length between farthest indoor unit and the nearest branch pipe need to enlarge one size. Refer to pipe "A" diameter rules;
 2) Set IDU high drop mode from outdoor PCB (if outdoor PCB has this function);

*From the first gather pipe to indoor unit, the size of pipe diameter should be large to small, upstream pipe diameter downstream pipe diameter; If pipe (no upsizing) diameter < downstream pipe diameter, the diameter of the pipe should enlarge one size.

Size enlarged as following order: 1/4in.-3/8in.-1/2in.-5/8in.-3/4in.-7/8in. (Ø6.35mm-Ø9.52mm-Ø12.7mm-Ø15.88mm-Ø19.05mm-Ø22.22mm). If the original pipe diameter ≥ 7/8in.(Ø22.22mm), no pipe enlarging is required. All pipes only are allowed to upsize once.

Branch pipe

The first branch pipe selection:

Total outdoor capacity kBtu/h(100W)	Model
$X \leq 114.4(335)$	FQG-B335A
$114.4 < X \leq 172.7(506)$	FQG-B506A
$172.7 < X \leq 249.1(730)$	FQG-B730A
$249.1 < X \leq 460.7(1350)$	FQG-B1350A

Branch pipes after the first branch pipe selection:

Total indoor capacity kBtu/h(100W)	Model
$X \leq 114.4(335)$	FQG-B335A
$114.4 < X \leq 172.7(506)$	FQG-B506A
$172.7 < X \leq 249.1(730)$	FQG-B730A
$249.1 < X \leq 460.7(1350)$	FQG-B1350A

Gather pipe

Total outdoor unit quantity	Model
2	HZG-20B
3	HZG-30B

Note:

1. Please install the branch/gather pipe (gas/liquid side) in horizontal or vertical direction.
2. It's not allowed to connect branch pipe or indoor unit after the first branch pipe within 1.6ft(0.5m).
3. The pipe should keep straight (pipe length > 1.6ft(0.5m)) if there is other branch pipe connecting the upstream branch pipe.

