



Installation Instructions

Gas Range

Questions? Call GE Appliances at 1.800.GE.CARES (1.800.432.2737) or visit GEAppliances.com.

IN THE COMMONWEALTH OF MASSACHUSETTS

- This product must be installed by a licensed plumber or gas fitter.
- When using ball type gas shut-off valves, they shall be the T-handle type.
- A flexible gas connector, when used, must not exceed 5 feet.

BEFORE YOU BEGIN

Read these instructions completely and carefully.

▲WARNING Remove existing anti-tip bracket from install space, if present.


- **IMPORTANT** – Save these instructions for local inspector's use.
- **IMPORTANT** – Observe all governing codes and ordinances.
- **Note to Installer** - Be sure to leave these instructions with the Consumer.
- **Note to Consumer** – Keep these instructions for future reference.
- **Note to Servicer** – The electrical diagram is in an envelope attached to the left side panel, when the drawer is removed.
- Proper installation is the responsibility of installer.
- Product failure due to improper installation is not covered under the Warranty.
- **IMPORTANT** — Remove all packing material and literature from oven before connecting gas and electrical supply to range.
- **IMPORTANT** — To avoid damage to your cabinets, check with your builder or cabinet supplier to make sure that the materials used will not discolor, delaminate or sustain other damage. This oven has been designed in accordance with the requirements of UL and CSA International and complies with the maximum allowable wood cabinet temperatures of 194°F (90°C).
- **Skill level** – Installation of this appliance requires advanced mechanical skills and advanced electrical skills.

PROPER DISPOSAL OF YOUR APPLIANCE

Dispose of or recycle your appliance in accordance with Federal and Local Regulations. Contact your local authorities for the environmentally safe disposal or recycling of your appliance.

FOR YOUR SAFETY:

▲WARNING
Tip-Over Hazard



- A child or adult can tip the range and be killed.
- Install the anti-tip bracket provided with the unit to the wall or floor.
- Engage the range to the anti-tip bracket by sliding the range back such that the foot is engaged.
- Re-engage the anti-tip bracket if the range is moved.
- Failure to do so can result in death or serious burns to children or adults.

If you did not receive an anti-tip bracket with your purchase, call 1.800.626.8774 to receive one at no cost. For installation instructions of the bracket, visit: GEAppliances.com.

▲WARNING

Before beginning the installation, switch power off at service panel and lock the service disconnecting means to prevent power from being switched on accidentally. When the service disconnecting means cannot be locked, securely fasten a prominent warning device, such as a tag, to the service panel.



Remove any currently used anti-tip bracket and install with the provided anti-tip bracket and screws.

▲WARNING Fire or Explosion Hazard

If the information in this manual is not followed exactly, a fire or explosion may result causing property damage, personal injury or death.

Installation must be performed by a qualified installer.

Installation of this range must conform with local codes, or in the absence of local codes, with the National Fuel Gas Code, ANSI Z223.1/ NFPA.54, latest edition. In Canada, installation must conform with the current Natural Gas Installation Code, CAN/CGA-B149.1 or the current Propane Installation Code, CAN/CGA-B149.2, and with local codes where applicable. This range has been design-certified by CSA International according to ANSI Z21.1, latest edition and Canadian Gas Association according to CAN/CGA-1.1 latest edition.

When installing a gas appliance the use of old flexible connectors can cause gas leaks and personal injury. Always use a NEW flexible connector.

Leak testing of the appliance shall be conducted according to the manufacturer instructions.

The range must be electrically grounded in accordance with local codes or, in the absence of local codes, in accordance with the National Electrical Code (ANSI/NFPA 70, latest edition). In Canada, electrical grounding must be in accordance with the current CSA C22.1 Canadian Electrical Code Part 1 and/or local codes. See Electrical Connections.

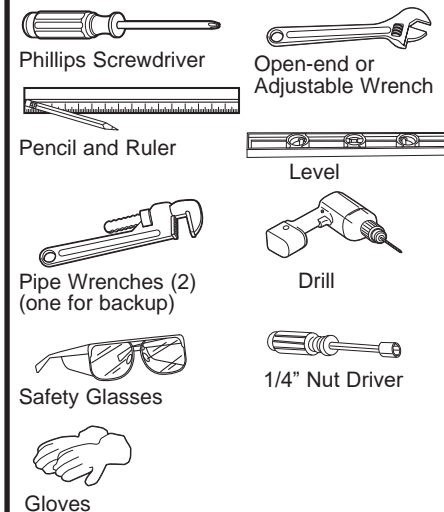
Do not install this product with an air curtain hood or other range hood that operates by blowing air down on the cooktop. This airflow may interfere with operation of the gas burners resulting in fire or explosion hazard.

MATERIALS YOU MAY NEED

- Gas line shut-off valve
- Pipe joint sealant or UL-approved pipe thread tape with Teflon* that resists action of natural and propane gases
- Flexible metal appliance connector (1/2" I.D.). A 5-foot length is recommended for ease of installation but other lengths are acceptable. Never use an old connector when installing a new range.
- Flare union adapter for connection to gas supply line (3/4" or 1/2" NPT x 1/2" I.D.)
- Flare union adapter for connection to pressure regulator on range (1/2" NPT x 1/2" I.D.)
- Liquid leak detector or soapy water.

*Teflon: Registered trademark of DuPont

TOOLS YOU WILL NEED



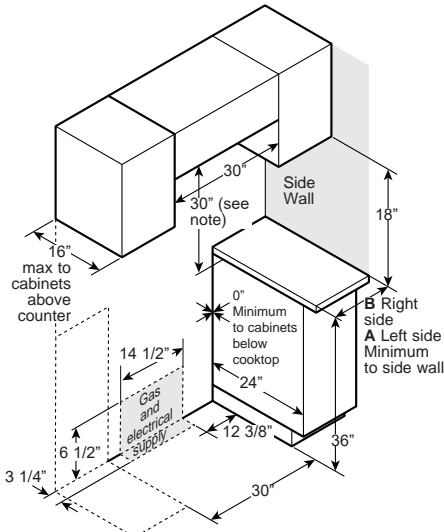
DIMENSIONS AND CLEARANCES

Provide adequate clearances between the range and adjacent combustible surfaces. These dimensions must be met for safe use of your range.

Allow 30" (76.2 cm) minimum clearance between burners and bottom of unprotected wood or metal cabinet, or allow a 24" (61 cm) minimum when bottom of wood or metal cabinet is protected by no less than 1/4" (6.4 mm) thick flame-retardant millboard covered with no less than No. 28 MSG sheet metal (.015" [.38 mm] thick), .015" (.38 mm) thick stainless steel, .025" (0.64 mm) aluminum or .020" (0.5 mm) copper.

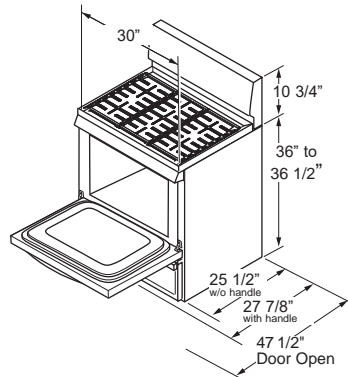
Installation of a listed microwave oven or cooking appliance over the cooktop shall conform to the installation instructions packed with that appliance.

For island installation, maintain 2-1/2" minimum from cutout to back edge of countertop and 3" minimum from cutout to side edges of countertop.

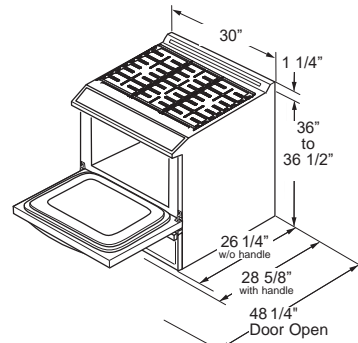


NOTE: Minimum to bare cabinet above: see Installation Instructions for alternate installation configurations.

Gas Range dimensions	A	B
4 Cooktop Burners	2"	2"
5 Cooktop Burners	6"	6"



REAR CONTROL



FRONT CONTROL

Gas Pipe and Electrical Outlet Locations

CAUTION To prevent drafts from affecting burner operation, seal all openings in floor under appliance and behind appliance wall.

Before installing your range on linoleum or any other synthetic floor covering, make sure the floor covering can withstand 180°F without shrinking, warping or discoloring. Do not install the range over carpeting unless a sheet of 1/4" thick plywood or similar insulator is placed between the range and carpeting.

MOBILE HOME - ADDITIONAL INSTALLATION REQUIREMENTS

The installation of this range must conform to the Manufactured Home Construction and Safety Standard, Title 24 CFR, Part 3280 (formerly the Federal Standard for Mobile Home Construction and Safety, Title 24, HUD Part 280). When such standard is not applicable, use the Standard for Manufactured Home Installations, ANSI A225.1/NFPA 501A or with local codes.

When this range is installed in a mobile home, it must be secured to the floor during transit. Any method of securing the range is adequate as long as it conforms to the standards listed above.

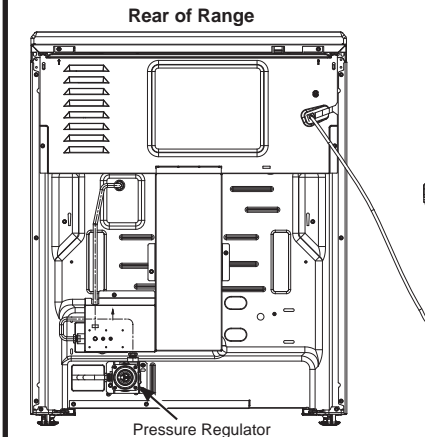
INSTALLATION AT HIGH ALTITUDE

Over 6000ft, product configured for natural gas or propane requires installation of kit (WB28X47007 for natural gas and JXBUFS04 for propane gas). Follow the instructions included with the kit.

CONVERTING TO PROPANE GAS (OR CONVERTING BACK TO NATURAL GAS FROM PROPANE)

This range leaves the factory set for use with natural gas. If you want to convert to propane gas, the conversion must be performed by a qualified propane gas installer.

The conversion orifices and instructions can be found in the owner's manual packet. Keep these instructions and all orifices in case you want to convert back to natural gas.



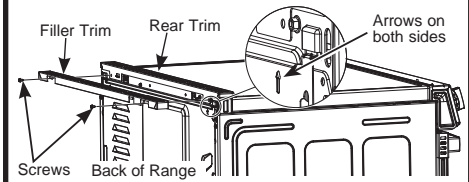
1 REMOVE PACKAGING MATERIALS:

Failure to remove packaging materials could result in damage to the appliance. Remove all packing parts from oven, racks, heating elements and drawer. Also, remove protective film and labels on the outer door, cooktop and control panel.

Consider recycling options for your appliance packaging material.

2 ATTACH REQUIRED FILLER TRIM

For ALL front control installations, the included filler trim must be installed. Remove the two screws on rear trim indicated with nearby arrows. Reuse these two screws to attach the filler trim to the back of the range.



3 GAS SUPPLY

WARNING Fire Hazard: Do not use a flame to check for gas leaks.

WARNING Explosion Hazard: Do not exceed 25 ft-lbs of torque when making gas line connections. Overtightening may crack the pressure regulator resulting in fire or explosion hazard.

Gas Pressure Regulator

You must use the gas pressure regulator supplied with this range. For proper operations the inlet pressure to the regulator should be as follows:

Natural Gas:

- Minimum pressure: 6" of Water Column
- Maximum pressure: 13" of Water Column

Propane Gas:

- Minimum pressure: 11" of Water Column
- Maximum pressure: 13" of Water Column

If you are not sure about the inlet pressure, contact local gas supplier.

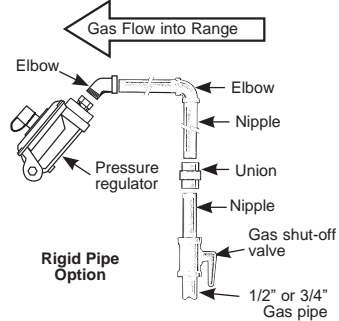
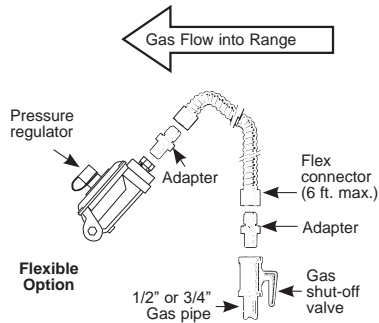
3 GAS SUPPLY (Cont.)

Shut off the main gas supply valve before disconnecting the old range and leave it off until the new hook-up has been completed. Don't forget to relight the pilot on other gas appliances when you turn the gas back on.

Because hard piping restricts movement of the range, the use of a CSA International-certified flexible metal appliance connector is recommended unless local codes require a hard-piped connection.

If the hard piping method is used, you must carefully align the pipe; the range cannot be moved after the connection is made.

CONNECTOR HOOKUP



Installer: Inform the consumer of the location of the gas shut-off valve.

To prevent gas leaks, put pipe joint compound on, or wrap pipe thread tape with Teflon* around, all male (external) pipe threads.

- Install a manual shut-off valve in the gas line in an easily accessed location outside of the range. Make sure everyone operating the range knows where and how to shut off the gas supply to the range.
- Install male 1/2" flare union adapter to the 1/2" NPT internal thread at inlet of regulator. Use a backup wrench on the regulator fitting to avoid damage.
- Install male 1/2" or 3/4" flare union adapter to the NPT internal thread of the manual shut-off valve, taking care to back-up the shut-off valve to keep it from turning.
- Connect flexible metal appliance connector to the adapter on the range. Position range to permit connection at the shut-off valve.
- When all connections have been made, make sure all range controls are in the off position and turn on the main gas supply valve. Use a liquid leak detector at all joints and connections to check for leaks in the system.

When using pressures greater than 1/2 psig to pressure test the gas supply system of the residence, disconnect the range and individual shut-off valve from the gas supply piping. When using pressures of 1/2 psig or less to pressure test the gas supply system, simply isolate the range from the gas supply system by closing the individual shut-off valve.

When checking for proper operation of the regulator, the inlet pressure must be at least 1" greater than the operating (manifold) pressure as given on rating label of product.

*Teflon: Registered trademark of DuPont

4 ELECTRICAL CONNECTIONS

WARNING Shock Hazard: This appliance must be properly grounded. Failure to do so can result in electric shock.

Electrical Requirements - 120-volt, 60 Hertz, properly grounded circuit protected by a 15-amp or 20-amp circuit breaker or time delay fuse. It

is recommended that a separate circuit serving only this range be provided.

NOTE: Use of automatic, wireless, or wired external switches that shut off power to the appliance are not recommended for this product.

4 ELECTRICAL CONNECTIONS (Cont.)

Grounding

The power cord of this appliance is equipped with a three-prong (grounding) plug which plugs into a standard three-prong grounding wall receptacle to minimize the possibility of electric shock hazard from this appliance.

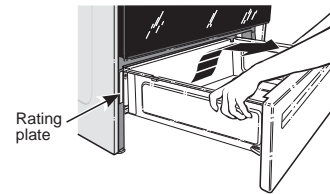
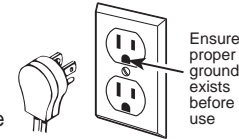
The customer should have the wall receptacle and circuit checked by a qualified electrician to make sure the receptacle is properly grounded.

Where a standard two-prong wall receptacle is encountered, it is the personal responsibility and obligation of the customer to have it replaced with a properly grounded three-prong wall receptacle.

DO NOT, UNDER ANY CIRCUMSTANCES, CUT OR REMOVE THE THIRD (GROUND) PRONG FROM THE POWER CORD. DO NOT USE AN ADAPTER. DO NOT USE AN EXTENSION CORD.

NOTE: Ground Fault Circuit Interrupters (GFCI's) will not affect performance of the gas range if operated on a GFCI-protected circuit but occasional nuisance tripping of the GFCI breaker is possible.

The rating plate is located on the frame surrounding the drawer.



5 INSTALL KNOBS

- Remove all knobs from packaging.
- Install the knobs onto the cooktop burner shafts.

6 SURFACE BURNERS

WARNING Fire or Explosion

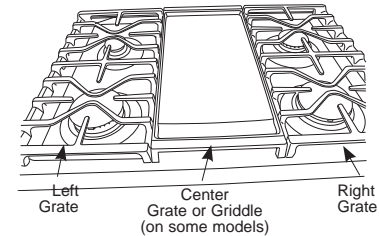
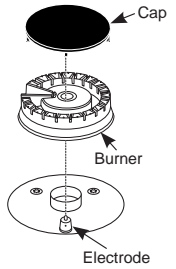
Hazard:

Do not operate the burner without all burner parts in place.

A. **Burners** - Place surface burners into corresponding positions on cooktop.

B. **Caps** - Place caps on proper size burner.

C. **Grates** - The left and right grates are interchangeable. Place the grates on the cooktop.



7 CHECK SURFACE BURNERS

Push and turn a knob to the LITE position. A clicking sound indicates proper operation of the ignition system. When lighting any burner, sparks will appear at all burners but gas flows from only the one selected. Once air is purged from the supply line, burner should light within 4 seconds. After burner lights, rotate the knob out of the LITE position. Try each burner in succession until all burners have been checked.

Quality of Flames

Determine the quality of flames visually. Normal burner flames should look like (A) or (B).



Normal flames may show signs of an orange tint when well heated or signs of flickering orange due to particles in the gas or air.

8 CHECK BAKE AND BROIL BURNERS

- Set Bake function to 350°F. Burner should light in 30 to 60 seconds.

- Set broil to Broil Hi. Models with a gas burner should light in 30 to 60 seconds.

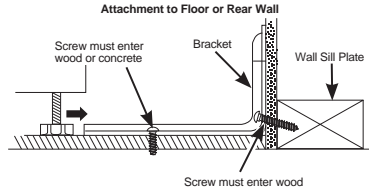
9 ANTI-TIP DEVICE INSTALLATION

⚠ WARNING

Tip-Over Hazard

- A child or adult can tip the range and be killed.
- Install the anti-tip bracket provided with the unit to the wall or floor.
- Engage the range to the anti-tip bracket by sliding the range back such that the foot is engaged.
- Re-engage the anti-tip bracket if the range is moved.
- Failure to do so can result in death or serious burns to children or adults.

2. The bracket must be screwed to either the FLOOR or REAR WALL.



FLOOR Installation:

WOOD FLOOR: Use the screws provided to secure the bracket using the pair of marked holes (either Loc A or B).

CONCRETE FLOOR: Using a concrete bit, drill a 5/32" pilot hole 2" deep into the concrete at the center of each of the marked holes (either Loc A or B). Use the screws provided to secure the bracket into the floor.

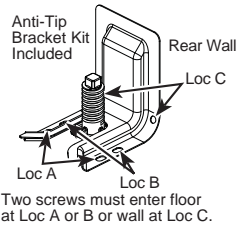
REAR WALL Installation:

Use the 2 screws provided to secure the bracket using the pair of marked holes at Loc C. The screws **MUST** enter into a wood sill plate. If the wall contains any metal studs or similar materials, then the floor must be used.

3. To check if the bracket is installed and engaged properly, look underneath the range to see that the rear leveling leg is engaged in the bracket. On some models, the storage drawer or kick panel can be removed for easy inspection. If visual inspection is not possible, slide the range forward, confirm the anti-tip bracket is securely attached to the floor or wall, and slide the range back so the rear leveling leg is under the anti-tip bracket. If your range is removed for cleaning, servicing, or any reason, be sure the anti-tip device is reengaged properly when the range is replaced. Failure to take this precaution could result in tipping of the range and can result in death or serious burns to children or adults. Never completely remove the leveling legs or the range will not be secured to the anti-tip device properly.

To reduce the risk of tipping the range, the range must be secured by a properly installed anti-tip bracket. Remove any currently used anti-tip bracket and install with the provided anti-tip bracket.

1. **IMPORTANT:** Determine the final location of the range before attempting to install the bracket. Remove existing anti-tip bracket from install space, if present.



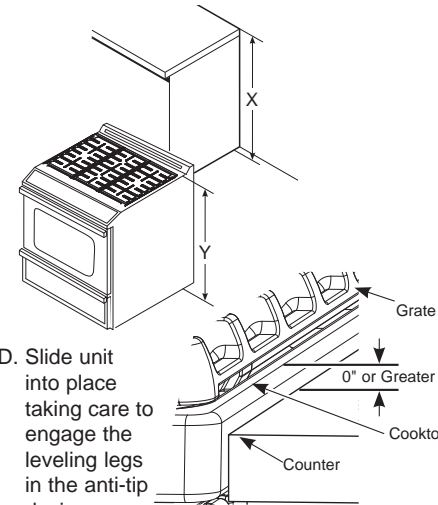
- a. Place the bracket on the floor with the back edge against the rear wall. If the range does not reach the rear wall, align the back edge of the bracket with the rear panel of the range in its final location. If bracket does not touch the rear wall, you **MUST** screw bracket to FLOOR as described in Step 2.
- b. Position the side of the bracket against either the left or right cabinet. If there is no adjacent cabinet, align the edge of the bracket with the side panel of the range in its final location. If the countertop overhangs the cabinet, offset the bracket from the cabinet by the amount of overhang.
- c. Mark the location for the pair of holes to be used (see illustration above).

NOTE: For FLOOR installation use either Loc A or B. For REAR WALL installation use Loc C.

10 LEVEL THE RANGE

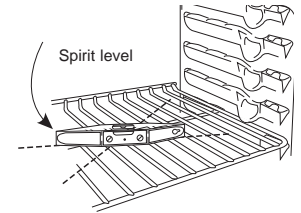
⚠ WARNING Never completely remove the leveling leg as the range will not be secured to the anti-tip device properly.

- A. Plug in the unit and remove the drawer. Refer to your owner's manual for instructions.
- B. Measure the height of your countertop at the rear of the opening (X).
- C. Adjust two rear leveling legs so that the rear of cooktop is higher than or equal to the counter (Y).

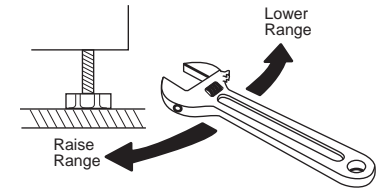


- D. Slide unit into place taking care to engage the leveling legs in the anti-tip device.

- E. Look under the unit and verify that the rear leg is fully engaged with the anti-tip device. If not, remove the unit and adjust the height of the rear leg so that it is properly engaged.
- F. Install racks in the oven.
- G. Check for levelness by placing a spirit level on one of the oven shelves. Take two readings—with the level placed diagonally first in one direction and then the other.



- H. Use an adjustable wrench to adjust the front leveling legs until the range is level.



- I. Position cord so that it does not interfere with drawer.
- J. Reinstall the drawer. Refer to your owner's manual for instructions.

11 FINAL INSTALLATION CHECKLIST

- Make sure the flow of combustion and ventilation air to the range is unobstructed.
- Check that all packing materials and tape have been removed. This will include tape on metal panel under control knobs (if applicable), adhesive tape, wire ties, cardboard and protective plastic. Failure to remove these materials could result in damage to the appliance once the appliance has been turned on and surfaces have heated.
- Make sure all controls are left in the off position.



Instrucciones de Instalación Estufa a Gas

¿Preguntas? Llame a GE Appliances al 800.GE.CARES (800.432.2737) o visita GEAppliances.com.

EN EL COMMONWEALTH DE MASSACHUSETTS

- Este producto debe ser instalado por un plomero licenciado o un mecánico gasista.
- Al usar válvulas de cierre de gas tipo balón, deberán ser del tipo de manija T.
- Al usar un conector de gas flexible no deberá exceder los 5 pies.

ANTES DE COMENZAR

Lea estas instrucciones por completo y con detenimiento.

▲ADVERTENCIA Retire el soporte antivolcaduras del espacio de instalación, en caso de estar presente.

- **IMPORTANTE** – Guarde estas instrucciones para el uso de inspectores locales.
- **IMPORTANTE** – Cumpla con todos los códigos y ordenanzas vigentes.
- **Nota al instalador** – Asegúrese de dejar estas instrucciones con el Consumidor.
- **Nota al consumidor** – Conserve estas instrucciones para referencia futura.
- **Servicio Técnico** – El diagrama eléctrico se encuentra en el sobre adherido al panel del lateral izquierdo, al ser retirado el cajón.
- La correcta instalación del producto es responsabilidad del instalador.
- Si se producen fallas en el producto debido a una instalación inadecuada, la Garantía no cubrirá las mismas.
- **IMPORTANTE** — Retire todo el material de embalaje y material escrito del horno antes de conectar el gas y el suministro de corriente a la cocina.
- **IMPORTANTE** — Para evitar daños sobre los gabinetes, controle con su constructor o proveedor de gabinetes que los materiales usados no produzcan descoloración, deslaminación ni generen otros daños. Este horno fue diseñado de acuerdo con los requisitos de UL y CSA International y cumple con las temperaturas máximas permitidas para gabinetes de madera de C).
- **Nivel de capacidad** – La instalación de este aparato requiere capacidades mecánicas básicas y capacidades eléctricas avanzadas.

FORMA ADECUADA DE DESCARTAR SU ELECTRODOMÉSTICO

Descarte o recicle su electrodoméstico de acuerdo con las Regulaciones Federales y Locales. Comuníquese con las autoridades locales para descartar o reciclar su electrodoméstico de forma ambientalmente segura.

PARA SU SEGURIDAD:

▲ADVERTENCIA

Riesgo de Caída



- Un niño o adulto pueden volcar la cocina y morir.
- Instale el soporte anti-volcaduras provisto con la unidad sobre la pared o el piso.
- Asegúrese la estufa al soporte anti-volcaduras deslizando la unidad hacia atrás de tal manera que la pata niveladora sea enganchada.
- Vuelva a adherir el soporte anti-volcaduras si la estufa se mueve de lugar.
- Si esto no se hace, se podrá producir la muerte o quemaduras graves en niños o adultos.

Si no recibió un soporte anti volcaduras con su compra, llame al 1.800.626.8774 para recibir uno sin costo. Para recibir instrucciones de instalación del soporte, visite: GEAppliances.com.

▲ADVERTENCIA

Antes de comenzar la instalación, apague el encendido en el panel de servicio y bloquee el medio de desconexión del servicio a fin de evitar que el encendido se active de forma accidental. Cuando el medio de desconexión del servicio no se pueda bloquear, ajuste de manera segura un ítem de advertencia que esté bien visible, tal como una etiqueta, sobre el panel de servicio.

Soporte Antivolcaduras y Tornillos Incluidos



Retire cualquier soporte antivolcaduras actualmente usado y realice la instalación con el soporte antivolcaduras y los tornillos provistos.

▲ADVERTENCIA RIESGO DE INCENDIO O EXPLOSIÓN

Si la información de este manual no se sigue exactamente, se podrá producir un incendio o explosión, ocasionando daños sobre la propiedad, lesiones o la muerte. La instalación deberán ser realizadas por un instalador calificado.

Lea estas instrucciones en su totalidad y atentamente.

Esta cocina se deberá instalar de acuerdo con los códigos locales, o en la ausencia de códigos locales, con el Código de Gas Combustible Nacional, ANSI Z223.1/NFPA.54, última edición. En Canadá, la instalación deberá ser conforme con el Código de Instalación de Gas Natural actual, CAN/CGA-B149.1 o el Código de Instalación de Propano actual, CAN/CGA-B149.2, y con los códigos locales cuando corresponda.

Esta cocina fue diseñada y certificada por CSA International, de acuerdo con ANSI Z21.1, última edición y con la Canadian Gas Association (Asociación de Gas de Canadá) CAN/CGA-1.1 última edición.

Al instalar un electrodoméstico a gas, el uso de conectores flexibles viejos puede ocasionar pérdidas y lesiones personales. Siempre use un conector flexible NUEVO.

La prueba de goteras del electrodoméstico se deberá realizar de acuerdo con las instrucciones del fabricante.

La cocina deberá estar correctamente conectada a tierra de acuerdo con los códigos y ordenanzas locales o, en ausencia de códigos locales, de acuerdo con el Código Nacional de Electricidad (National Electric Code), (ANSI/NFPA NO. 70., última edición). En Canadá, la conexión a tierra se deberá realizar de acuerdo con la Parte 1 del Código de Electricidad de Canadá CSA C22.1 y/o los códigos locales. Consulte las Conexiones Eléctricas.

No instale este producto con una campana con cortina de aire u otra campana de cocina que funcione llevando aire a la placa de cocción. El flujo de aire podrá interferir en el funcionamiento de los quemadores de gas, produciendo riesgos de incendio o explosión.

MATERIALES NECESARIOS

- Válvula de cierre para tubería de gas
- Sellador para junta de tubería o UL – cinta para tubería aprobada con Teflón*, resistente a la acción de gases naturales o propano
- Conector para artefacto metálico flexible (1/2" I.D.) Se recomienda una longitud de 5 pies para una fácil instalación, pero otras longitudes son aceptables. Nunca use un conector viejo al instalar una cocina nueva.
- Adaptador para unión cónica para la conexión al suministro de gas (3/4" o 1/2" NPT x 1/2" I.D.)
- Adaptador para unión cónica para la conexión al regulador de presión en la cocina (1/2" o 1/2" NPT x 1/2" I.D.)
- Detector de pérdida de líquido o agua con jabón.

*Teflón: Marca registrada por DuPont

HERRAMIENTAS NECESARIAS



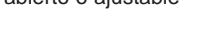
Destornillador Philips



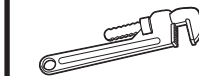
Llave con extremo abierto o ajustable



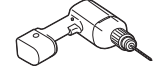
Lápiz y regla



Nivel



Llave para tubería (2) (una de repuesto)



Taladro



Gafas de seguridad



Llave de tuercas de 1/4"



Guantes

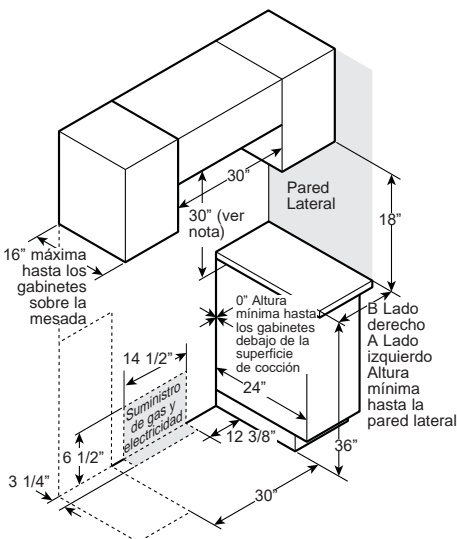
DIMENSIONES Y ESPACIOS

Deje el espacio adecuado entre la cocina y las superficies combustibles adyacentes. Estas dimensiones se deberán cumplir para un uso seguro de su cocina.

Deje un espacio mínimo de 30" (76.2 cm) entre los quemadores y la parte inferior del gabinete de madera o metal sin protección, o deje un espacio mínimo de 24" (61 cm) cuando la parte inferior del gabinete de madera o metal esté protegido por no menos de 1/4" (6.4 mm) de cartón de retardo de incendios cubierta por no menos que una lámina metálica de 28 MSG (.015" (.38 mm) de grosor), .015" (.38 mm) de grosor de acero inoxidable, .025" (0.64 mm) de aluminio o .020" (0.5 mm) de cobre.

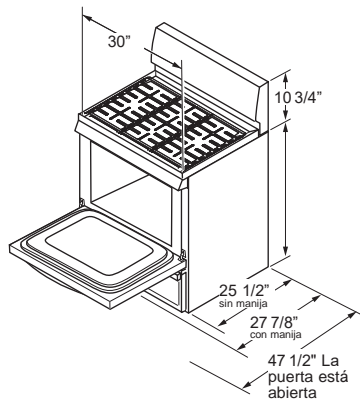
La instalación de un horno microondas o de un electrodoméstico de cocción que figuren en la lista sobre la parte superior de la cocina deberá cumplir con las instrucciones de instalación provistas con el electrodoméstico.

Para la instalación de la isla, deje un espacio mínimo de 2-1/2" desde la abertura hasta el extremo trasero de la mesada y un mínimo de 3" desde la abertura hasta los extremos laterales de la mesada.

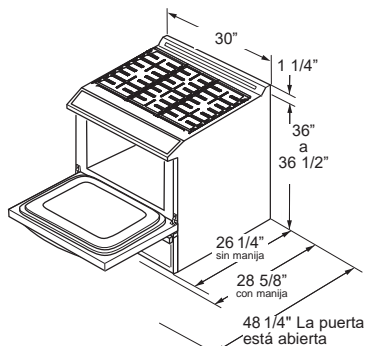


NOTA: Mínimo hasta el gabinete descubierto arriba; consulte las Instrucciones de Instalación para acceder a configuraciones de instalación alternativas.

Dimensiones de la Estufa a Gas	A	B
4 Quemadores de la Placa de Cocción	2"	2"
5 Quemadores de la Placa de Cocción	6"	6"



CONTROL TRASERO



CONTROL FRONTAL

UBICACIONES DE LA TUBERÍA DE GAS Y DEL TOMACORRIENTE ELÉCTRICO

PRECAUCIÓN Para evitar que una corriente de aire afecte el funcionamiento del quemador, selle todas las aberturas sobre el piso debajo del electrodoméstico y detrás de la pared del mismo.

Antes de instalar su cocina sobre linóleo y cualquier otro revestimiento de piso sintético, asegúrese de que el revestimiento del piso resista los 180° F sin contraerse, combarse o descolorarse. No instale la cocina sobre alfombras, a menos que haya una hoja de contrachapado de un grosor de 1/4" o un aislante similar entre la cocina y la alfombra.

CASA RODANTE – REQUISITOS DE INFORMACIÓN ADICIONAL

Esta cocina se deberá instalar conforme con el Estándar de Construcción y Seguridad para Hogar, Título 24 CFR, Pieza 3280 (anteriormente el Estándar Federal para la Construcción y Seguridad de Casas Rodantes (Federal Standard for Mobile Home Construction and Safety), Título 24, HUD Parte 280). Cuando dicho estándar no sea aplicable, use el estándar para las Instalaciones de Casas Fabricadas, ANSI A225, 1/NFPA 501A o con códigos locales.

Cuando la cocina es instalada en una casa móvil, se deberá asegurar al piso durante el tránsito. Cualquier método para asegurar la cocina es adecuado, siempre y cuando se realice conforme con los estándares que figuran a continuación.

INSTALACIÓN EN ALTITUDES ELEVADA

A más de 6000 pies, el producto configurado para gas natural o propano requiere la instalación del kit (WB28X47007 para gas natural y JXBUFS04 para gas propano). Siga las instrucciones incluidas con el kit.

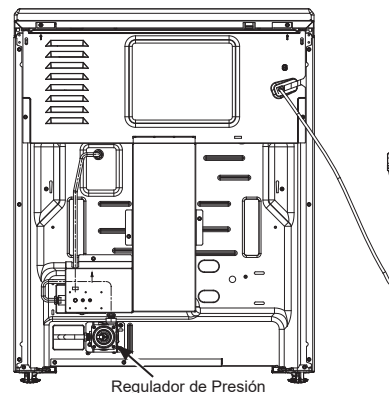
CONVERTIR A GAS PROPANO (O VOLVER A CONVERTIR DE PROPANO A GAS NATURAL)

Esta cocina deja la configuración de fábrica para uso con gas natural. Si desea convertir a gas propano, la conversión deberá ser realizada por un instalador de gas propano calificado.

Los orificios de conversión y las instrucciones se podrán encontrar en el paquete del Manual del Propietario.

Guarde estas instrucciones y todo orificios en caso de que lo desee convertir nuevamente a gas natural.

Parte Trasera de la Estufa



Regulador de Presión

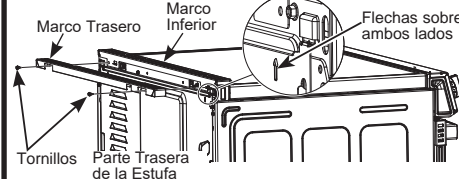
1 quite los materiales de ENVÍO:

No quitar los materiales de empaque puede provocar daños al electrodoméstico. Quite todas las partes de empaque del horno, bandejas, elementos calentadores y cajón. También, quite la película protectora y las etiquetas de la puerta exterior, estufa y panel de control.

Tenga en cuenta las opciones de reciclaje del material de embalaje de su electrodoméstico.

2 ADHIERA EL MARCO DE RELLENO REQUERIDO

En **TODAS** las instalaciones con control frontal, será necesario instalar el marco de relleno incluido. Retire los dos tornillos sobre el marco trasero indicados con las flechas cercanas. Vuelva a usar los dos tornillos para adherir el marco de relleno sobre la parte trasera de la estufa.



3 SUMINISTRO DE GAS

ADVERTENCIA Riesgo de incendio:

No use una llama para controlar las pérdidas de gas.

ADVERTENCIA Riesgo de Explosión:

No supere una torsión máxima de 25 pies-libras al realizar conexiones de tuberías de gas. Cualquier ajuste en exceso podrá romper el regulador de presión, resultando en riesgo de incendio o explosión.

Regulador de Presión de Gas

Se deberá usar el regulador de presión de gas suministrado con esta cocina. Para un funcionamiento adecuado, la presión de entrada al regulador deberá ser la siguiente:

Gas Natural:

- Presión mínima: Columna de Agua de 6"
- Presión máxima: Columna de Agua de 13"

Gas Propano:

- Presión mínima: Columna de Agua de 11"
- Presión máxima: Columna de Agua de 13"

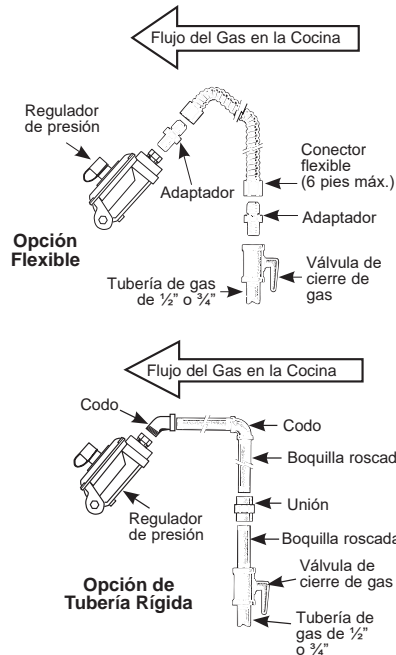
Si no está seguro sobre cuál es la presión de entrada, comuníquese con el proveedor de gas local.

3 SUMINISTRO DE GAS (Cont.)

Cierre la válvula principal de suministro de gas antes de desconectar su vieja cocina y deje la misma apagada hasta que la nueva conexión se haya completado. No olvide volver a encender el piloto en otros electrodomésticos a gas cuando vuelva a encender el gas.

Debido a que las tuberías duras restringen el movimiento de la cocina, se recomienda el uso del conector para electrodomésticos de metal flexible con certificación internacional de CSA, a menos que los códigos locales requieran una conexión de tubería dura.

Si se usa el método de tubería dura, deberá alinear la misma con cuidado; la cocina no se podrá mover una vez realizada la conexión.



Instalador: Informe al consumidor sobre la ubicación de la válvula de cierre de gas.

CONEXIÓN DEL CONECTOR

Para evitar pérdidas de gas, coloque el compuesto de la junta de gas, o envuelva la cinta para roscas de tuberías con Teflón* alrededor de todas las roscas de tubería macho (externas).

- Instale una válvula de cierre manual de la línea de gas en la línea de gas, en una ubicación de fácil acceso fuera de la cocina. Asegúrese de que todas las personas que usen la cocina sepan dónde y cómo cerrar el suministro de gas de la cocina.
- Instale el adaptador de la unión cónica macho de 1/2" a la rosca interna de 1/2" de NPT en la entrada del regulador. Use la llave de repuesto en el accesorio regulador para evitar daños.
- Instale un adaptador para unión cónica de 1/2" o 3/4" a la rosca interna de NPT de la válvula de cierre manual, procurando evitar que la válvula de cierre no gire.
- Conecte el conector de metal flexible del electrodoméstico al adaptador de la cocina. Posicione la cocina para permitir la conexión en la válvula de cierre.
- Cuando todas las conexiones se hayan realizado, asegúrese de que todos los controles de la cocina estén en la posición de apagado y encienda la válvula de suministro principal de gas. Use un detector de pérdida de líquido en todas las uniones y conexiones, para controlar pérdidas en el sistema.

Al usar presión superior a 1/2 psig para controlar la presión del sistema de suministro de gas de la residencia, desconecte la cocina y la válvula de cierre individual de la tubería de suministro de gas. Al usar las presiones de prueba de 1/2 psig o menos para controlar el sistema de suministro de gas, simplemente aisle la cocina del sistema de suministro de gas, cerrando la válvula de cierre individual.

Al controlar el funcionamiento adecuado del regulador, la presión de entrada deberá ser por lo menos 1" mayor que la presión de funcionamiento (tubo) como en la etiqueta de calificación del producto.

*Teflón: Marca registrada por DuPont

4 CONEXIONES ELÉCTRICAS

ADVERTENCIA Riesgo de Descarga: Este electrodoméstico deberá estar conectado a tierra de forma adecuada. Si no se cumple con esto se podrán producir descargas eléctricas.

Requisitos Eléctricos - Circuito de 120 voltios, 60 Hertz, correctamente conectado a tierra por un disyuntor de 15 o 20 amperes o fusible de retraso. Se recomienda contar con un circuito

separado que se use únicamente con esta cocina. Se recomienda contar con un circuito separado que se use únicamente con esta estufa.

NOTA: No se recomienda para este producto el uso de interruptores automáticos, inalámbricos o con cableado externo que apagan la corriente del electrodoméstico.

4 CONEXIONES ELÉCTRICAS (Cont.)

Conexión a Tierra

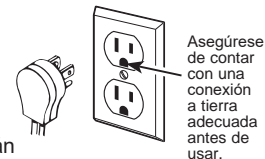
El cable de corriente de este electrodoméstico cuenta con un enchufe de 3 patas (conexión a tierra) que se conecta a un tomacorriente de pared estándar de 3 cables para minimizar la posibilidad de riesgos de descargas eléctricas por parte del mismo.

El cliente deberá contratar a un electricista calificado para que controle el circuito, a fin de asegurar que el tomacorriente esté correctamente conectado a tierra.

En caso de contar con un tomacorriente de pared de 2 cables, es la responsabilidad y obligación del cliente reemplazarlo por un tomacorriente de pared de 3 cables correctamente conectado a tierra.

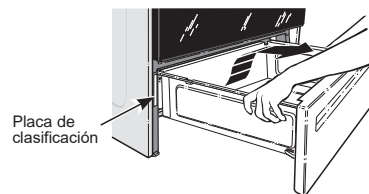
NUNCA, BAJO NINGUNA CIRCUNSTANCIA, CORTE NI ELIMINE EL TERCER CABLE (TIERRA) DEL CABLE DE CORRIENTE. NO USE UN ADAPTADOR. NO USE UN PROLONGADOR.

NOTA: Los receptáculos de los Interruptores con Detección de Falla de Tierra (GFCI) no afectarán el rendimiento de



la estufa si se usan en un circuito GFCI protegido, pero una activación ocasional del disyuntor del GFCI es posible.

La placa de especificaciones técnicas está ubicada en el marco que rodea el cajón.



5 INSTALACIÓN DE LAS PERILLAS

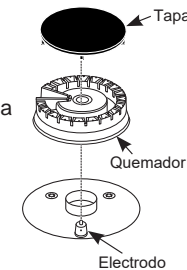
- Retire todas las perillas del embalaje.
- Instale las perillas provistas sobre los ejes de los quemadores de la placa de cocción.

6 SUPERFICIALES QUEMADORES

ADVERTENCIA Riesgo de Incendio o Explosión: No use el quemador sin que todas las partes de los quemadores estén en sus respectivos lugares.

A. Quemadores -

Coloque las cabezas de los quemadores en las posiciones correspondientes en la placa de cocción.

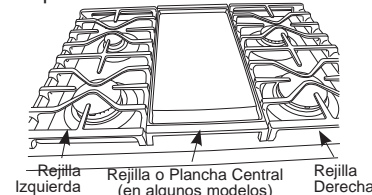


B. Tapas -

Coloque las tapas en los quemadores de los tamaños correspondientes.

C. Rejillas -

Las rejillas izquierda y derecha son intercambiables. Coloque las rejillas en la placa de cocción.



7 CONTROLE LAS CABEZAS DE LOS QUEMADORES

Presione y gire la perilla a la posición LITE (Luz). Un sonido de clic indica el correcto funcionamiento del sistema de encendido. Al iluminar cualquier quemador, se producirán chispas en todos los quemadores pero sólo saldrá gas del que fue seleccionado. Una vez que el aire se haya purgado de la línea de suministro, el quemador se deberá encender dentro de los 4 segundos. Luego de que el quemador se encienda, gire la perilla fuera de la posición LITE (Luz). Pruebe cada quemador de forma sucesiva hasta que todos los quemadores hayan sido controlados.

Calidad de las Llamas

Determine la calidad de las llamas de forma visual. Las llamas normales de los quemadores se deberán ver como (A) o (B).



(A) Llamas azul suave — Normal para gas natural




(B) Puntas amarillas en conos externos — Normal para el gas propano

Las llamas normales podrán mostrar signos de un tinte anaranjado cuando estén bien quemadas, o signos de anaranjado parpadeante debido a las partículas del gas o del aire.

8 CONTROLE LOS QUEMADORES PARA HONEAR Y ASAR

- Configure la función Bake (Hornear) en 350° F. El quemador se deberá iluminar entre 30 y 60 segundos.
- Configure asar en Broil Hi (Asado Alto). Los modelos con quemadores a gas deberán tardar entre 30 y 60 segundos en encenderse.

9 INSTALACIÓN DE DISPOSITIVO ANTI-VOLCADURAS

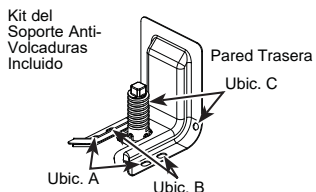


ADVERTENCIA
Riesgo de Caída

- Un niño o adulto pueden volcar la cocina y morir.
- Instale el soporte anti-volcaduras provisto con la unidad sobre la pared o el piso.
- Asegúrese la estufa al soporte anti-volcaduras deslizando la unidad hacia atrás de tal manera que la pata niveladora sea enganchada.
- Vuelva a adherir el soporte anti-volcaduras si la estufa se mueve de lugar.
- Si esto no se hace, se podrá producir la muerte o quemaduras graves en niños o adultos.

Para reducir el riesgo de volcar la cocina, ésta debe sujetarse mediante un soporte anti-volcaduras con una adecuada instalación. Retire cualquier soporte antivolcaduras actualmente usado y realice la instalación con el soporte antivolcaduras provisto.

1. **IMPORTANTE:** Determine la ubicación final de la cocina antes de tratar de instalar el soporte. Retire el soporte antivolcaduras del espacio de instalación, en caso de estar presente.

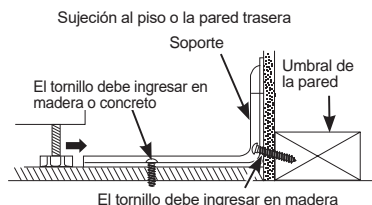


Los tornillos deberán ingresar en el piso en la Ubic. A o B o en la pared en la Ubic. C.

- a. Coloque el soporte en el piso con el lado trasero sobre la pared trasera. Si la cocina no llega a la pared trasera, alinee el lado trasero del soporte con el panel trasero de la cocina en su ubicación final. Si el soporte no toca la pared trasera, usted DEBE atornillar el soporte al PISO como se describe en el Paso 2.
- b. Coloque el lado del soporte sobre el gabinete izquierdo o derecho. Si no hay un gabinete adyacente, alinee el extremo del soporte con el panel lateral de la cocina en su ubicación final. Si el mostrador de encimera sobresale del gabinete, modifique la posición del soporte desde el gabinete considerando la cantidad que sobresale.
- c. Marque la ubicación para el par de orificios que se utilizarán (ver la ilustración de arriba).

NOTA: Para instalaciones de PISO utilice la Ubic. A o B. Para la instalación de PARED TRASERA utilice la Ubic. C.

2. El soporte debe atornillarse al PISO o a la PARED TRASERA.



Instalación de PISO:

PISO DE MADERA: Utilice los tornillos provistos para sujetar el soporte utilizando el par de orificios marcados (Ubic. A o B).

PISO DE CONCRETO: Utilizando una broca para concreto, perforo un orificio piloto de 5/32" de 2" de profundidad dentro del concreto en el centro de cada uno de los orificios marcados (Ubic. A o B). Utilice los tornillos provistos para sujetar el soporte al piso.

Instalación de PARED TRASERA:

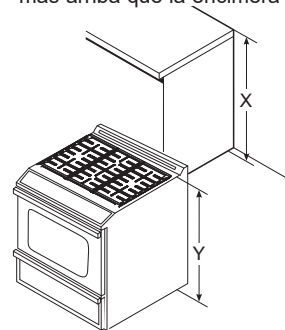
Utilice los 2 tornillos provistos para sujetar el soporte utilizando el par de orificios marcados en Ubic. C. Los tornillos DEBEN ingresar en el umbral de madera. Si la pared contiene parantes de metal o materiales similares, entonces debe usarse el piso.

3. Para controlar si el soporte es instalado y ajustado de forma apropiada, mire que debajo de la cocina la pata niveladora trasera esté ajustada al soporte. En algunos modelos, el cajón de almacenamiento o el panel de protección se pueden retirar para una fácil inspección. Si no es posible realizar una inspección visual, deslice la cocina hacia adelante, confirme que el soporte anti-volcaduras esté ajustado de forma segura al piso o la pared, y deslice la cocina hacia atrás de modo que la pata niveladora trasera se encuentre debajo del soporte anti-volcaduras. Si la estufa es retirada para su limpieza, servicio técnico o cualquier otra razón, asegúrese de que el dispositivo anti volcaduras vuelva a ser colocado de forma correcta cuando la estufa sea instalada nuevamente. Si no se toma esta precaución, se podrán producir caídas de la estufa y ocasionar la muerte o quemaduras graves en niños o adultos. Nunca retire completamente las patas niveladoras, ya que la estufa no estará asegurada de forma adecuada al dispositivo antivolcaduras.

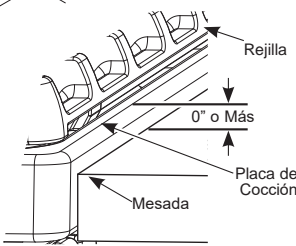
10 NIVELE LA ESTUFA

ADVERTENCIA Nunca retire completamente las patas niveladoras, ya que la cocina no estará asegurada de forma adecuada al dispositivo anti-volcaduras.

- A. Enchufe la unidad.
- B. Mida la altura de su mostrador de encimera en la parte trasera de la abertura (X).
- C. Ajuste las patas niveladoras de modo que la parte trasera de la placa de cocción quede más arriba que la encimera (Y).



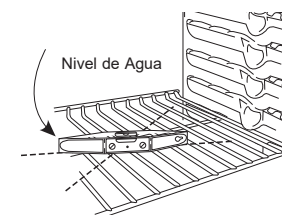
- D. Deslice la unidad en su ubicación teniendo cuidado de adherir las patas niveladoras en el dispositivo antivolcaduras.



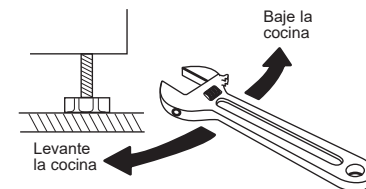
- E. Observe debajo de la unidad y verifique que la pata trasera esté completamente adherida al dispositivo antivolcaduras. De

no ser así, retire la unidad y ajuste la altura de la pata trasera de modo que quede correctamente adherida.

- F. Instale los estantes en el horno.
- G. Controle la nivelación colocando un nivel de burbuja de aire sobre uno de los estantes del horno. Haga dos lecturas—con el nivel ubicado en diagonal primero en una dirección y luego en la otra.



- H. Use una llave de ajuste para ajustar las patas niveladoras frontales, hasta que la estufa quede nivelada.



- I. Coloque el cable de modo que no interfiera con el cajón.
- J. Vuelva a instalar el cajón. Para acceder a instrucciones, consulte el manual del propietario.

11 LISTA DE CONTROL FINAL DE LA INSTALACIÓN

- Asegúrese de que la circulación de la combustión y el aire de la ventilación a la estufa estén desobstruidos.
- Asegúrese que todos los materiales de empaque y cintas se hayan retirado. Esto incluye cintas sobre el panel metálico debajo de las perillas de control (si corresponde), cinta adhesiva, cintas de ajuste, cartón y plástico protector. Si estos materiales no se retiran, se podrá producir como resultado un daño sobre el electrodoméstico, una vez que el mismo haya sido encendido y las superficies estén calientes.
- Asegúrese de que todos los controles queden en la posición de apagado.