

EVERY THING YOU NEED TO KNOW ABOUT YOUR

XO

XOU24WWG_
WINE & WEED PRESERVATION SYSTEMS

 **YouTube**
WATCH THE INSTALLATION
VIDEO ON OUR CHANNEL



I worked really hard
on this manual -
so please read it...

XO



When buying any XO appliance, you can be confident you have chosen a high quality, innovative and stylish product from a company that cares about you!

If you require service or have questions, there are 2 ways to contact our ventilation experts;

Online @ <https://xoappliance.com/priority-service-for-your-xo-product/>

Or by phone 973-403-8900



CONGRATULATIONS

on purchasing your XO.
Before you proceed, take just a moment to register your XO at:

www.xoappliance.com/register-your-product/

Or simply scan here to be taken to the registration page...



REGISTRATION HELPS YOU BY -

Ensuring warranty coverage should you need service
Providing ownership verification for insurance purposes
XO can notify you in the event of product changes or recalls.

WHERE THINGS ARE

Before You Get Started

4 - 7

Installer Checklist
Find Your Model
Safety Instructions
Electrical and Grounding Instructions

Installation Instructions

8 - 14

Sizes and Installation Dimensions
Integrated Panel Dimensions
Leveling Your XO

Operating Instructions

15 - 20

Product Overview
Preservation Tips
Control System Overview
Setting the Temperature
Functions
Capacities

Care and Cleaning

21 - 22

Helpful Hints
Cleaning the Interior / Exterior

FAQ's

23 - 24

Cannabis Storage & Humidity
Warranty

PLEASE READ AND FOLLOW
ALL SAFETY INSTRUCTIONS

It's for your
own good...
Honest.

XO

DEAR INSTALLER

THE JOB ISN'T DONE UNTIL

To ensure that the installation process is successfully completed, here are few things to review...

- Is the unit plugged in?
- Are the controls on? (Panel will illuminate.)
- Are the controls operating correctly?
- Has the unit been properly leveled - both side to side and front to back - with all 4 leveling feet securely making contact with the floor?
- This is an OVERLAY unit - have the panels been securely attached and properly aligned?
- After installation, does the door open sufficiently to fully extend the shelves?
- Is the door sealing properly?
- Is the handle secure?
- Have you thoroughly inspected all surfaces for any imperfections?
- Have you reviewed this manual with the customer and explained the unit's operation and care?
- Has the customer received copies of the literature and keys?
- Have you properly disposed of all packing materials properly (recycle, please)?
- Is the customer satisfied?

DANGER

RISK OF CHILD ENTRAPMENT!

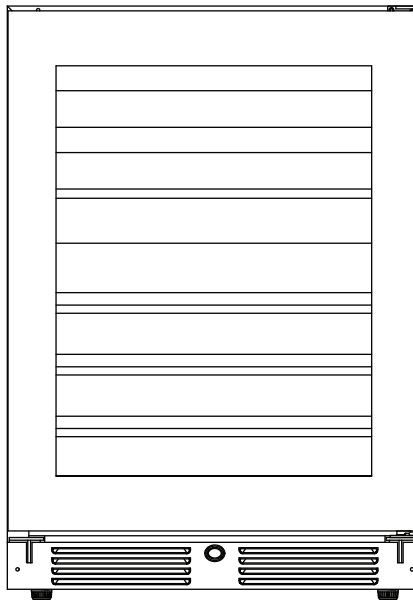
An empty refrigerator is a very dangerous attraction to children.

Remove door gaskets, latches, lids, lock and/or doors from unused or discarded appliances, or take other actions to guarantee them harmless.

Always dispose of old appliances in accordance with local laws and regulations.

THESE ARE THE MODELS COVERED IN THIS BOOK

WINE & WEED VAULT



XOU24WWGO_ Panel Ready

XOU24WWGS_ SS & Glass

XOU24WWGB_ Black Glass

TAKE A MINUTE TO CIRCLE YOUR MODEL ABOVE
AND RECORD YOUR SERIAL NUMBER
HERE IN CASE YOU NEED IT LATER



YOUR SAFETY MATTERS

Please read through completely before using your XO Unit

To prevent damage to the door gasket, the door must be opened all the way before pulling racks out.

The appliance must be positioned so that the plug is accessible.

Empty your XO unit before attempting to move the appliance. Moving while loaded may damage or distort the frame.

The compressor will get HOT during operation / touching it may cause injury.

During installation follow all safety tips provided in this manual / appropriate safety equipment such as safety glasses and work gloves should be worn.

Two people should move or lift your XO unit to prevent injury or damage.

Remove all interior and exterior packing materials prior to installation and dispose of properly.

Never cover the bottle racks with foil or other material which will impede internal air circulation.

For maximum efficiency, keep the door tightly shut unless loading or unloading and never overload your XO unit.

Before installing, allow your XO unit to sit upright for 2 hours at the install site. This will allow the cooling system to stabilize after transportation. Failure to follow this step may cause problems.

Never store perishable food products such as meat or cheese in your wine cooler.

Location

Your XO unit should be located away from direct sunlight and heat sources (stove, heaters, etc.) which may increase electrical consumption. High or low ambient temperature may cause units to work improperly.

The floor must be strong enough to support your XO unit fully loaded.

Your XO unit must not be installed in areas of where water or excessive moisture are present.

Your XO unit must not be installed near where flammable, corrosive or hazardous materials are present.

Your XO unit's final installation must observe the correct minimum air clearances around and behind the unit to ensure adequate ventilation. In addition, all ventilation openings must be kept clear and free of obstructions, failure to do so will result in damage to the unit.

WARNING

NEVER use external heat sources to accelerate defrosting

NEVER permit unauthorized service or modifications to your XO unit

NEVER tamper with the sealed refrigerant system - this unit uses R600A Refrigerant which is flammable.

It should never be used in the vicinity of any flammable or explosive ignition sources.

ALWAYS FOLLOW THE ELECTRICAL SAFETY INSTRUCTIONS OUTLINED IN THIS MANUAL.

ELECTRICITY - THIS IS SERIOUS

Failure To Follow All Electrical Safety Measures May Result in Serious Injury, Fire Or Death

All electrical work should only be performed by an experienced, licensed electrician.

All XO units **MUST** be grounded for safe operation and come equipped with a 3 Prong molded cord/plug for that purpose.

NEVER remove or disable the 3rd prong with an adapter.



NEVER use an extension cord to operate your XO unit.



Your XO unit is built to operate on 115V 60Hz and should be plugged directly into a dedicated 15 amp 3 prong outlet. If you are uncertain as to the voltage, amperage capacity or if the 3rd prong is properly grounded - consult a licensed electrician.

To maximize the depth of the installation recess - your outlet should be mounted flush with the wall.

Your XO unit should not share the circuit with any other electrical devices as this may cause overloading, overheating, blown fuses or tripping circuit breakers. In a worst case this can pose a fire hazard.

NEVER handle your XO unit in wet conditions as this can pose a severe danger of electric shock.

Exercise care when moving your XO unit to avoid damage to the electrical cord. If the electrical cord of your XO unit becomes worn or damaged it must be replaced immediately by a qualified technician.

NEVER unplug your unit by pulling on the cord. Unplug by gripping the plug firmly and pull out straight from the outlet.

INDOOR USE ONLY:

This model is intended for indoor/interior applications only and is not to be used in installations that are open/exposed to natural elements.

This unit is designed to operate between 60°F and 90°F. Higher ambient temperatures may reduce the unit's ability to reach low temperatures and/or reduce performance.

For best performance, keep the unit out of direct sunlight and away from heat generating equipment. In climates where high humidity and dew points are present, condensation may appear on outside surfaces, particularly in non air conditioned spaces. This is considered normal. The condensation will evaporate when the humidity drops.

CAUTION

Damages caused by ambient extremes are not covered by the warranty

SERVICE	115V - 60 Hz - 1 phase
AMPS	15 Amp Circuit Breaker
Requires a Dedicated Outlet	
All electrical work must be performed by a licensed electrician	

State of California Proposition 65 Warning (US only)
⚠ WARNING

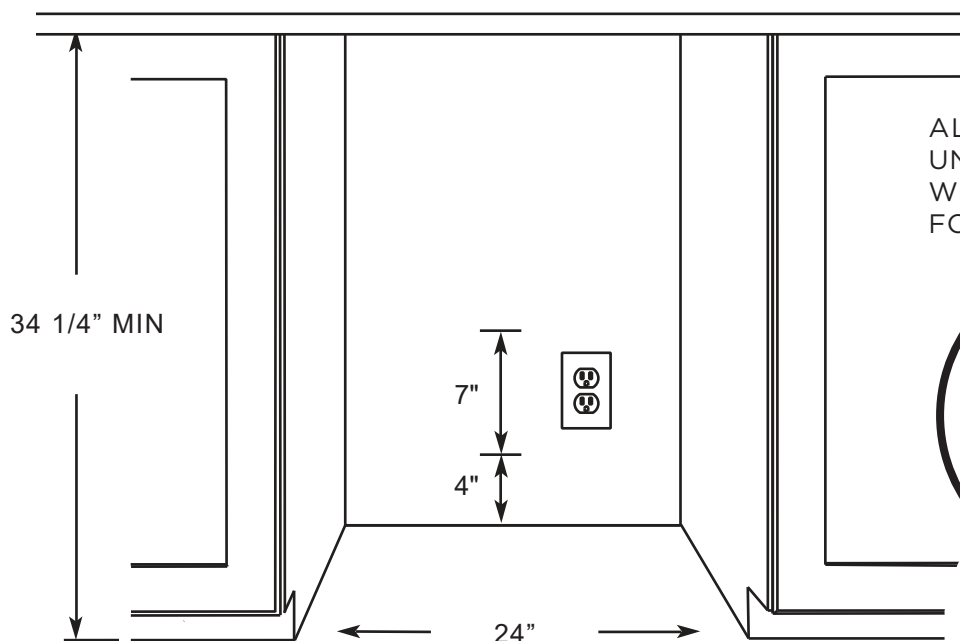
This product contains chemicals known to the State of California to cause cancer and birth defects or other reproductive harm.
For more information go to www.P65Warnings.ca.gov

Serious injury, fire or death...
Okay -
You've got my attention!

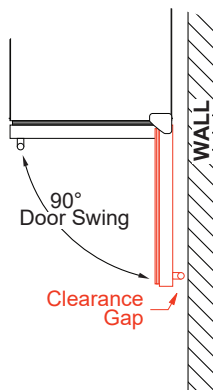
XO

A PERFECT FIT

USE FREE STANDING - OR - INSTALL UNDER COUNTER



ALL XO UNDERCOUNTER
UNITS ARRIVE PRE-WIRED
WITH LOW PROFILE PLUGS
FOR EASY INSTALLATION

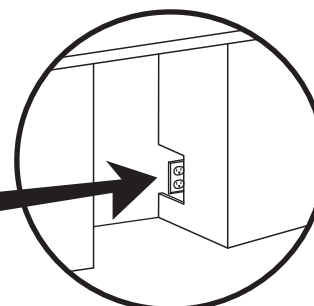


WHEN INSTALLING WITH
THE HINGE SIDE NEXT TO A WALL -
LEAVE ADEQUATE SPACE FOR
CABINET HANDLES

DOOR MUST BE ABLE TO OPEN
A MINIMUM OF 90°.

THE DOOR STOP IS SET AT 110° - BUT CAN BE REST TO 90° OR 140° IF NEEDED.
IF THE DOOR CAN'T OPEN FULLY - YOU CAN'T PULL THE SHELVES OUT.

If you need a little more space
when installing an overlay door unit,
you might use a recessed outlet or
cut the adjoining cabinet wall to
reach an outlet there...

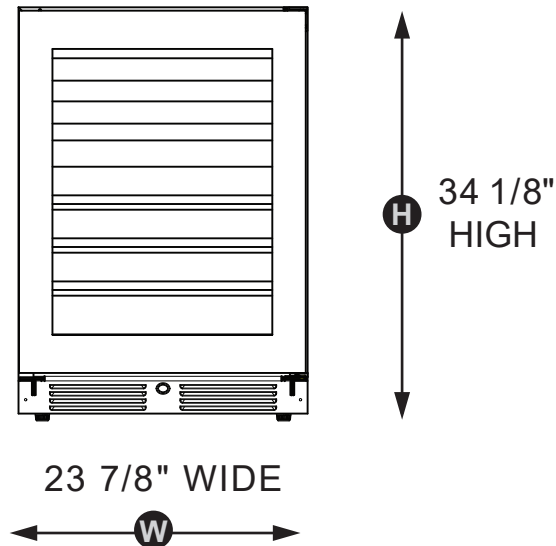


A PERFECT FIT

YOUR XO IS THIS BIG (OR SMALL, AS THE CASE WOULD BE)

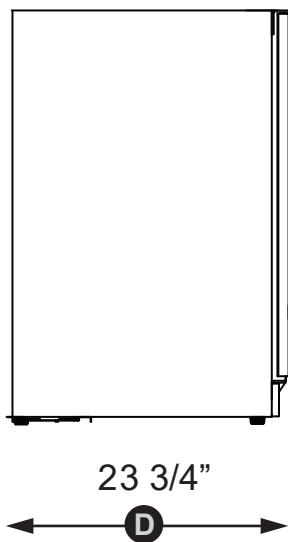
HEIGHT & WIDTH

XOU24WWGO_ & XOU24WWGS_ 24" MODELS

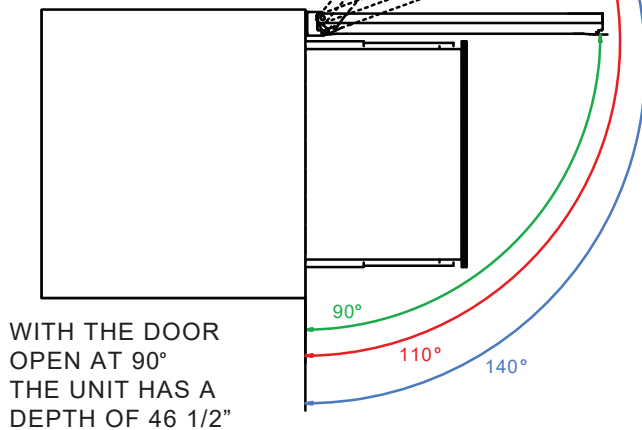


DEPTH

MODELS WITH OVERLAY DOORS



DOOR MUST BE ABLE TO OPEN 90° MINIMUM TO ALLOW SHELVES TO EXTEND

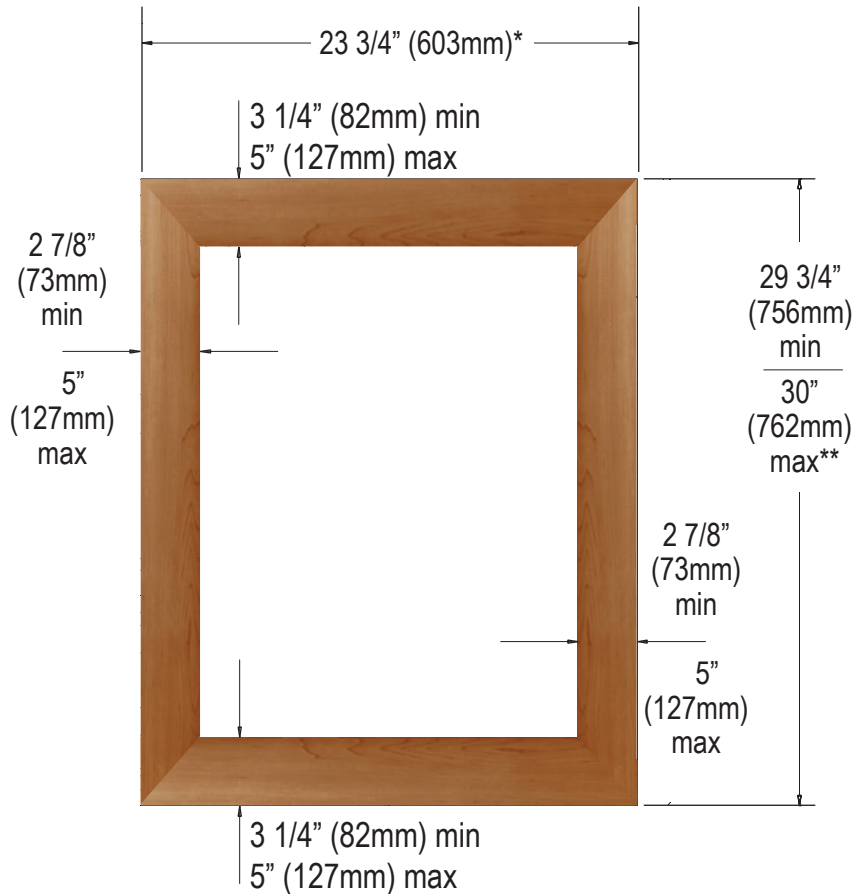


CUSTOM OVERLAY PANELS MAY ADD UP TO 3/4" IN OVERALL DEPTH
YOUR CHOICE OF CABINET HANDLES WILL ALSO ADD DEPTH

LET'S FACE IT

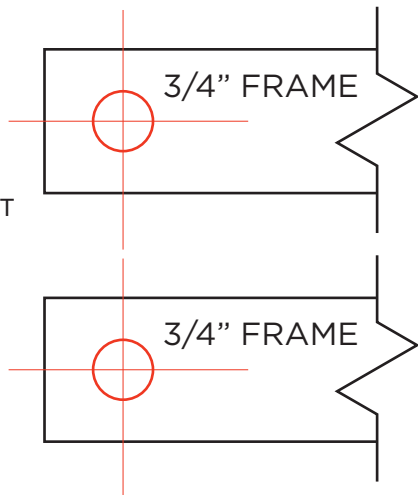
OVERLAY PANEL DIMENSIONS (XOU24WUWGO_ ONLY)

**STAINLESS | GLASS
& BLACK GLASS
MODELS
SKIP TO PAGE 13**

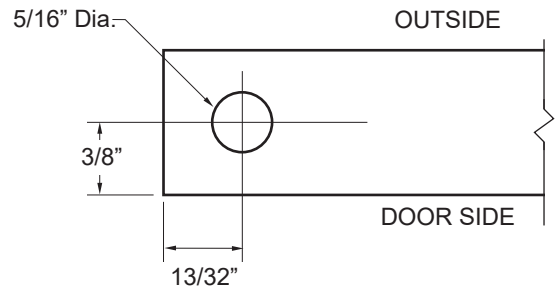


* IF FRAME WIDTH EXCEEDS 23 3/4" WHEN MOUNTING TO THE DOOR ALIGN THE FRAME EVEN WITH THE HINGE SIDE, LETTING THE EXCESS OVERHANG THE HANDLE SIDE TO AVOID INTERFERENCE WITH THE ZERO CLEARANCE HINGE.

COPY AND CUT OUT THESE HANDY HOLE TEMPLATES



TO ACCOMMODATE THE HINGE PINS ON THE HINGE SIDE OF THE PANEL Drill a hole at least 5/16" in diameter and 1" deep into the top and bottom of the frame in the location shown.



AFTER INSTALLATION UNDERCOUNTER, OVERLAY DOOR MUST BE ABLE TO OPEN 90°.

PANEL MAXIMUM WEIGHT: 20 lbs.

MAXIMUM PANEL THICKNESS $\frac{3}{4}$ "

* FOR CABINET DOORS LONGER THAN 30" - CONSULT XO.

LET'S FACE IT

BEFORE BEGINNING - REST THE UNIT ON ITS BACK, WITH THE DOOR FACING UP

1. Remove the two screws that hold the toe kick in place.
Remove the toe kick and set aside.



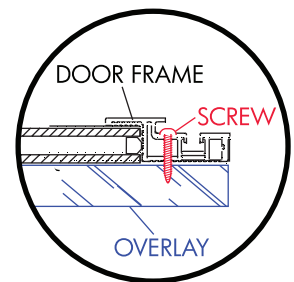
2. Remove the three screws holding the lower hinge in place.
Remove the hinge and set aside.

3. Pull the door down away from the upper hinge to remove it
and lay it flat face down on a pad to prevent scratches.



4. Starting at one corner, gently pull the rubber door gasket out
of the channel. Lay it aside, flat. You will reinstall it shortly.
In the channel are 10 screw holes.

5. Attach your door handle to the frame, countersinking the screw
heads so the frame lays flat against the door..



6. Align the frame to the door. If the frame is wider than the door,
set the frame flush with the hinge side of the door, let the other side
overhang the door and clamp securely.

7. Using the (10) ST4-30 self-tapping screws supplied securely fasten
the frame to the door. Do not over tighten as screws may strip out.

**WARNING: Screws are sized for 3/4" panel,
DO NOT USE these screws for thinner panels.**



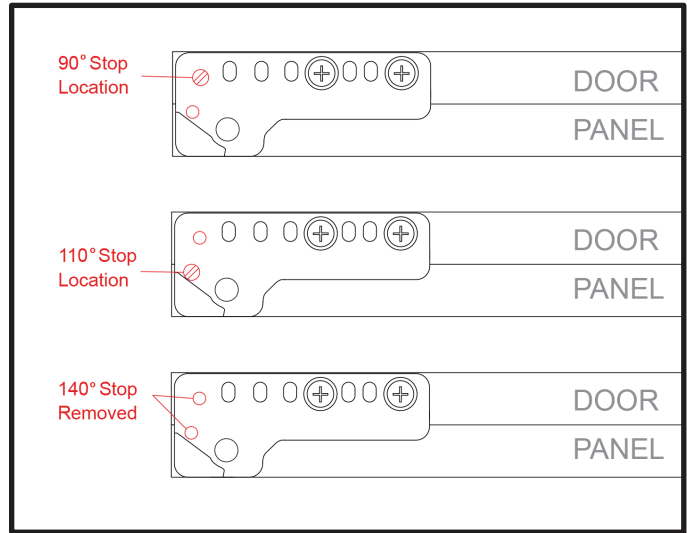
LET'S FACE IT

- Remove the clamps and re-install the rubber gasket by pressing it into the slot making sure it is evenly seated.
- Place the door back in position and slide to up onto the upper hinge pin, then square it up with the cabinet.

OPTIONAL

The door hinge stop is set at 110°. While the door is off, you can change it to either 90° or 140°.

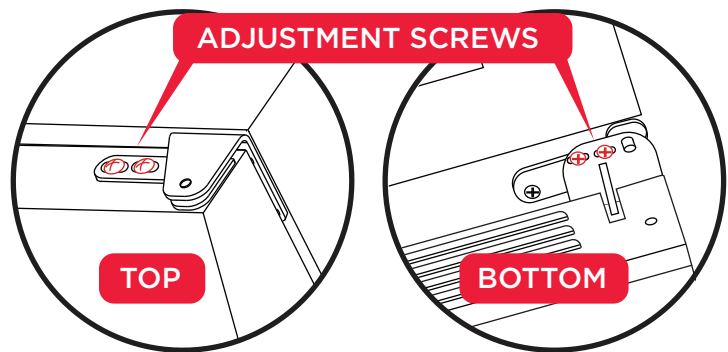
Simply change the position of the stop screw in the lower hinge plate as shown.



- Replace the lower hinge using the three screws removed in Step 2.
- Replace the toe kick using the two screws removed in Step 1.

If the door requires adjustment, the top and bottom hinge each have adjustment screws.

Loosen the screws, then with the door open, raise the handle side to level and re-tighten the screws.



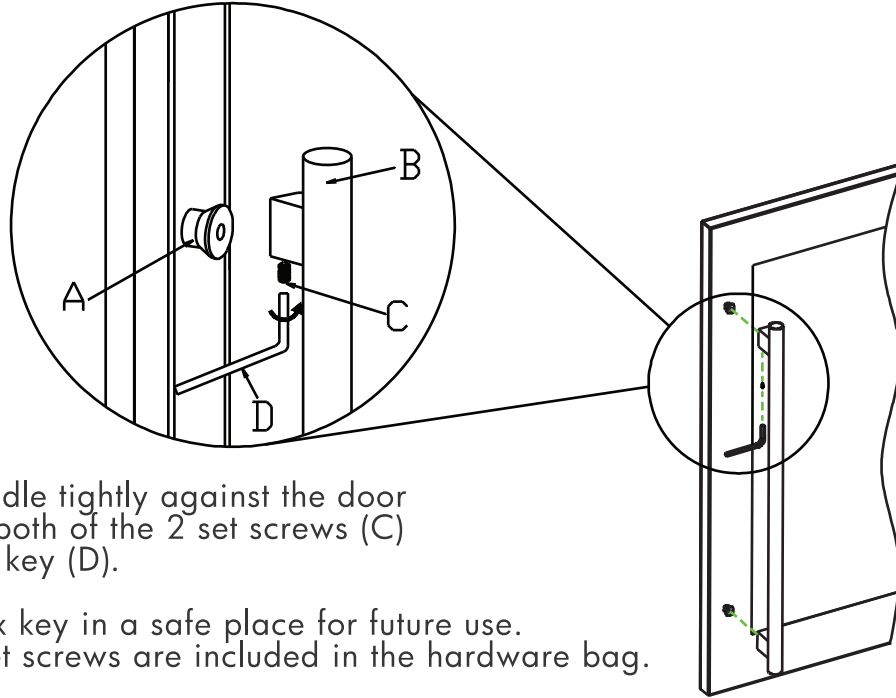
WATCH THE INSTALLATION VIDEO ON OUR CHANNEL

<https://www.youtube.com/channel/UCT-lp-dM9hoPydpxZfrZzRA>
www.xoappliance.com

GET A GRIP

IN FACT - PICK THE STYLE YOU LIKE

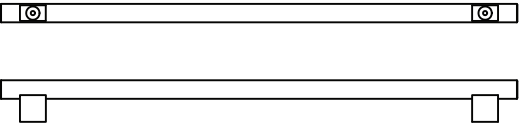
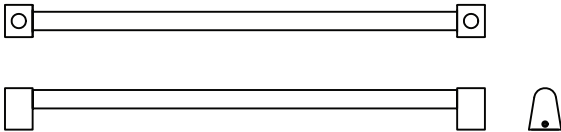
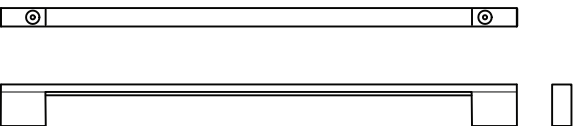
Place the handle (B) over the 2 mounting studs (A) on the door frame with the set screws (C) pointing down.



Push the handle tightly against the door and tighten both of the 2 set screws (C) with the hex key (D).

Keep the hex key in a safe place for future use.
Two extra set screws are included in the hardware bag.

Handle Options - all handles will fit all models

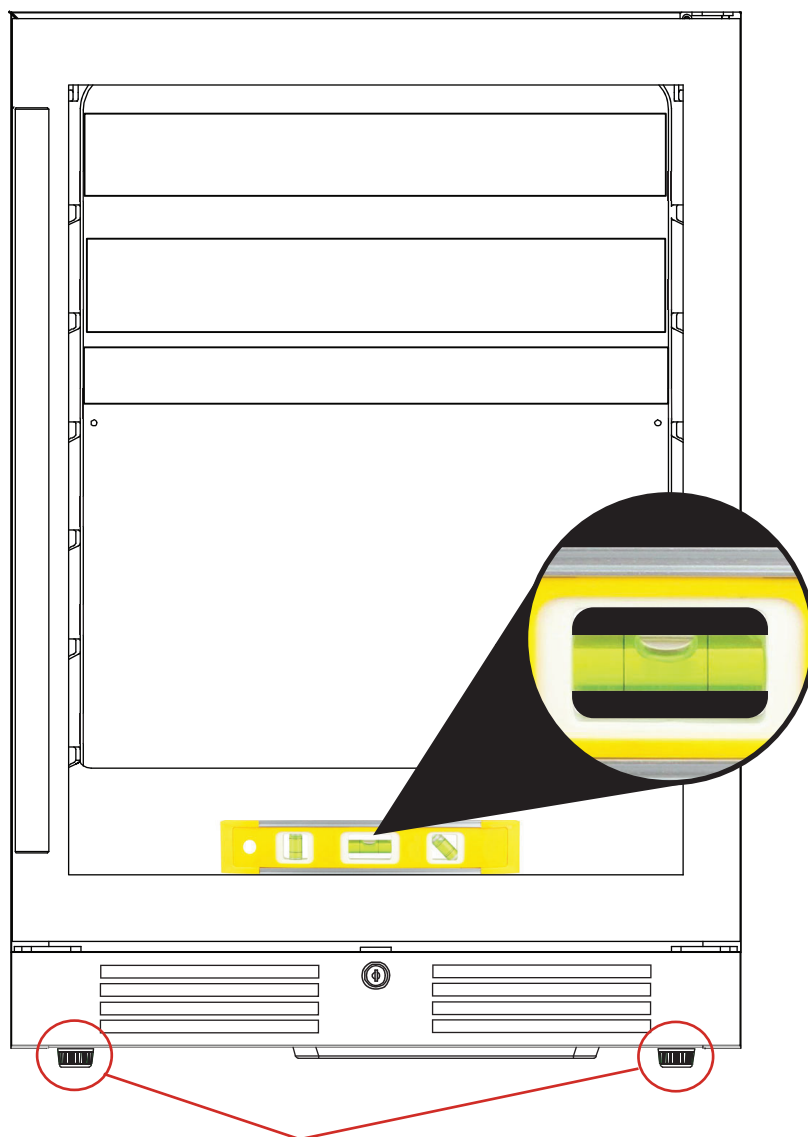
- A**  A. Designer Round Handle
Stainless ships with XOU24WWGS*
Also available as an option in black
- B**  B. Pro Style Round Handle
Stainless ships with XOU24WWGS*
- C**  C. Designer Flat Handle
Stainless ships with XOU24WWGB

* The XOU24WWGS - Stainless framed glass door model comes with both styles A & B
The XOU24WWGO - Panel ready model does not include finish panels or handles.

IT'S LIKE ZEN - BUT COOLER

GET YOUR LEVEL OUT

DO NOT NEGLECT THIS IMPORTANT STEP

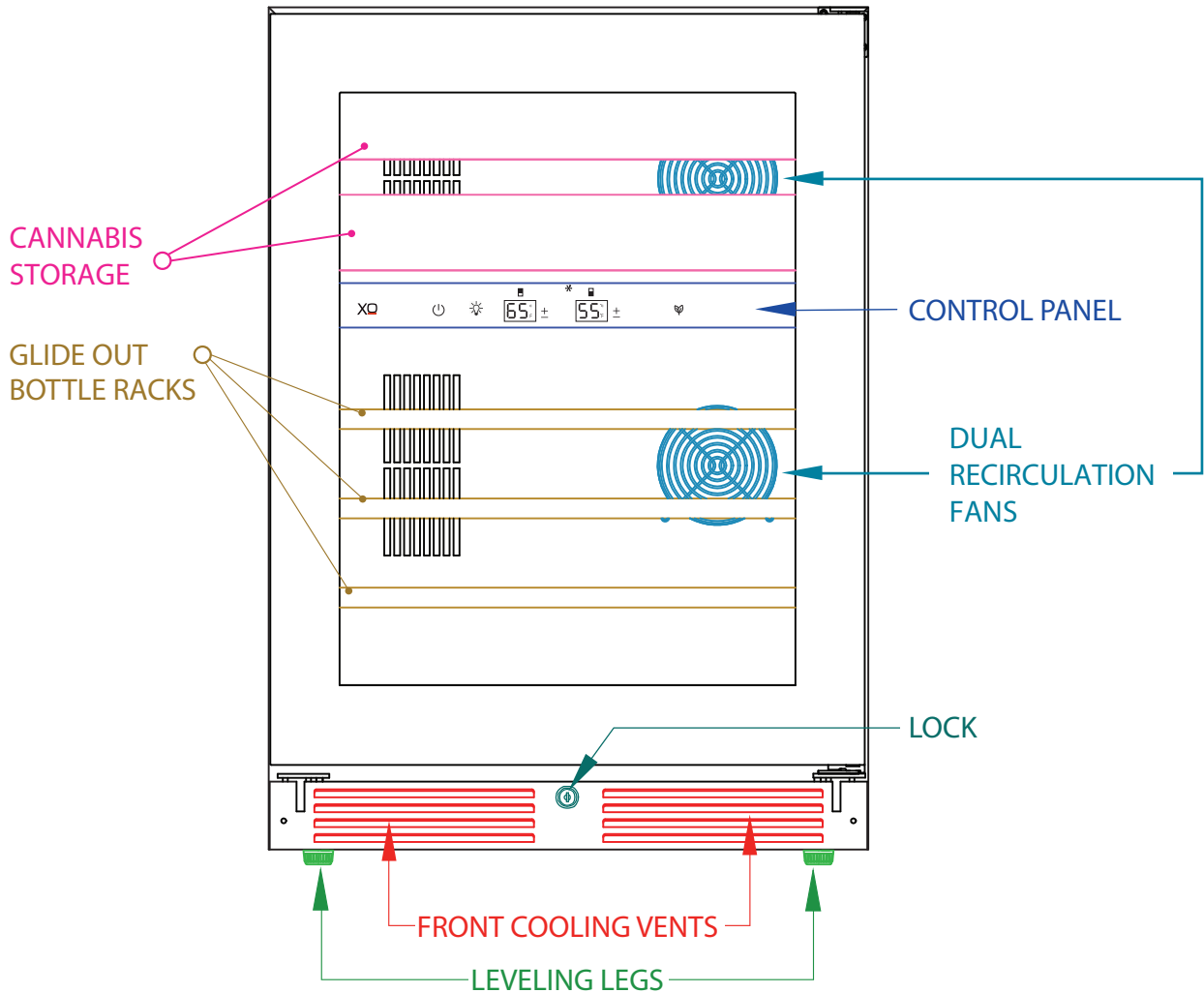


Rotate to raise or lower the **LEVELING LEGS** located at each of the four corners until all four legs are seated firmly on the floor and the interior floor of the unit is level **both front to back and side to side**.

Failure to follow this important step may cause problems with proper door operation, excessive condensation, vibration and noise.

MEET YOUR XO

WINE & WEED PRESERVATION SYSTEM XOU24WWG_



WHAT'S THAT NOISE...

Your new XO is designed for quiet operation but you may hear some sounds your old unit didn't make. Because they are new you might be concerned, but they are usually normal. Sounds can also be amplified by hard surfaces like flooring or tiles. Here is a description of the types of sounds you might hear and what might be causing them.

Your unit is designed to minimize energy use. To do that the high efficiency compressor and fans may run longer than your old unit. You might also hear a pulsating or high pitched sound as the compressor and fans adjust to improve performance. During defrosting cycles you may hear some water running into the drip pan. The refrigerant may sometimes cause a rattling or gurgling sound as it flows through the system and you might hear clicking sounds as the unit starts and stops.

PROPER STORAGE MATTERS

YOUR XO WINE & WEED PRESERVATION SYSTEM

WINE & WEED - Similarities and Differences

Wine and cannabis have a number of preservation conditions in common making them excellent candidates to store together, providing the system is designed to accommodate those areas where environmental requirements diverge.

LIGHT: Sunlight, specifically ultraviolet light, can be damaging to both cannabis and wine. In the case of wine, it causes naturally occurring riboflavin and pantothenic acid to react with amino acids in the wine and form sulfur adversely affecting the taste and aroma. Cannabis is a different story. Although sunlight and grow lights are beneficial to the growing plants, once harvested, UV causes the cannabinoids present to deteriorate reducing potency. Your XO Wine & Weed is equipped with double glazed thermopane glass that has a built-in UV blocker.

TEMPERATURE: Your XO Wine & Weed is designed to maintain two different temperature zones. Both wine and cannabis benefit from a controlled temperature environment, however optimal storage for each is different. The lower zone is designed for storing up to (30) 750ml bottles of wine between 41° and 64° F. Heat and variations in temperature can damage wines. Red wine is typically stored at 54° to 58°, white wine is kept colder for serving. As a general rule, if you are unsure of what temperature to store a bottle at, 55° is generally considered to be ideal for most vintages. Cannabis also benefits from storage in a cool, stable environment but ideally should be kept at a temperature between 60° and 68° F. Temperatures below 70° help prevent the growth of harmful mold. Your XOU24WW, comes preset from the factory at 65° F in the upper zone for cannabis and 55° F in the lower zone for wine.

HUMIDITY: High or low humidity conditions can do harm to both wine and weed for different reasons. With regard to wine storage, an ambient range of 50 - 70% humidity is usually adequate. 60% humidity is generally considered ideal. For all these reasons, it is a good idea to limit opening and closing any wine cooler frequently. It is a good idea to keep it well stocked. Storing only a few bottles can cause excess humidity and condensation to develop. When loading the wine section, add bottles gradually rather than in large quantities which can cause broader temperature variations for what you have stored already.

Cannabis, is more sensitive to an optimal humidity range. Cured weed is not dry, it should have a moisture level of 10 - 12% for smoking. For this reason, your unit arrives with a supply of silicon sealed glass jars to limit air exchange and for humidity control. We recommend the use of size 4 Boveda (or similar) humidity control packets with a rating of 58% RH. Use of these in a sealed glass container have demonstrated the ability to limit evaporation of terpenes and the conversion of THC to CBN helping preserve flavor, aroma and potency.

VIBRATION: Vibration is another element that can harm wine. Your XO Wine & Weed has design features to aid in limiting the transmission of vibration to the bottles, however it is advisable to install your wine & weed cooler in an area away from loudspeakers, power equipment, heavy floor traffic and similar noise generators.

...and enjoy!

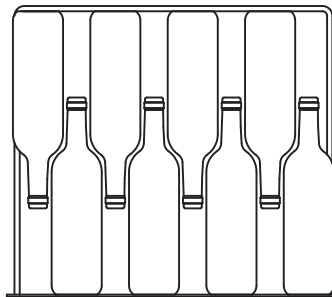
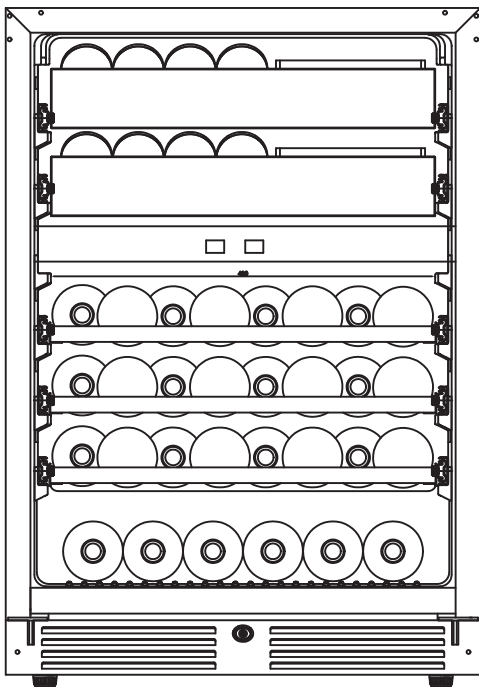
CAPACITIES

HOW MUCH WINE & WEED CAN THIS HOLD

Wine bottles and cannabis products come in many different shapes and sizes. The following is to provide general guidance on expected maximum quantities (wine in 750ml bottles).

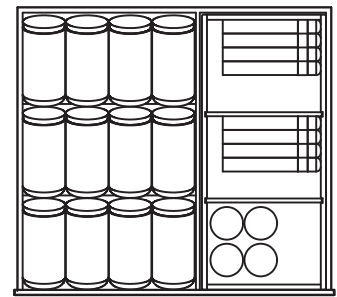
MODEL	WIDTH	ZONES	BORDEAUX	BURGUNDY	GLASS JAR (350ml)	GLASS JAR (100ml)
XOU24WWGS XOU24WWGB	24"	2	3 Racks of 8 24 + 6(l)	3 Racks of 8 24 + 6(l)	2 Trays 12 each	2 Trays 4 each
			30 TOTAL	30 TOTAL	24 TOTAL	8 TOTAL

CAPACITIES for XOU24WW Series



24" Wide Wine Cellar Racks accommodate up to 8 Bottles Each

This unit has 3 vibration dampened wire racks and storage below.



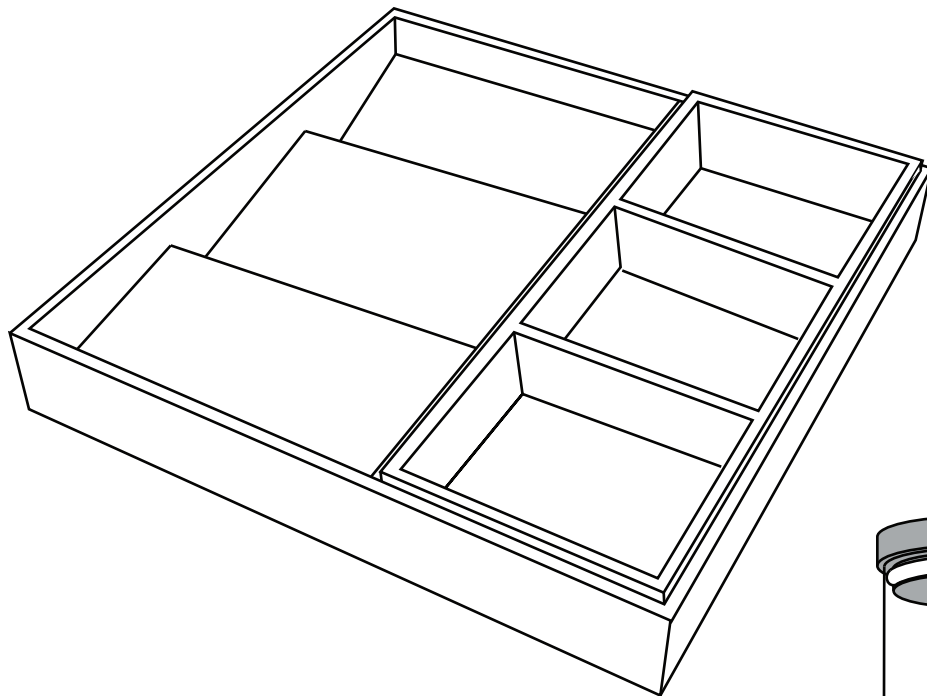
Glass-Jars (350ml): 12 Jars Each
Glass-Jars (100ml): 4 Jars Each

This unit come with 2 cedar storage trays.

Store wine in sealed bottles only
Avoid overloading
Storing little or no product can cause excessive condensation

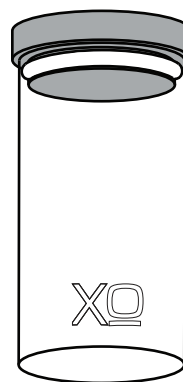
CANNABIS STORAGE

IS EASY WITH XO

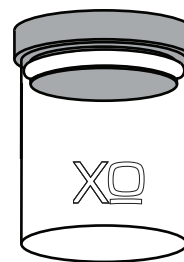


XO Recommends the use of BOVEDA Humidity packs to help prevent the evaporation of terpenes in storage jars

Size 4 | 58% RH



350ml



100 ml

The two compartmentalized wooden drawers come complete with twelve (12) tall glass display storage jars and four (4) short glass jars. Each jar is fitted with a silicon sealed wooden cap. Additional jar sets are available for purchase.



TAKE CONTROL

TEMPERATURE

65 ^C/_F

Wine & Weed Systems maintain two different temperature zones from one control panel.

Dual Zone Temperature Settings
Adjustable Range: 55° F to 68° F (upper) 50° F to 64° F (lower)

Your unit remembers your last temperature settings in the event of a power failure and automatically adjusts to the previous setting(s) when power is restored.

When the +/- button is pressed, your wine cellar automatically enters set up mode. The LED Display will begin flashing and display the temperature setting.

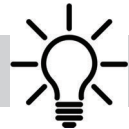
Each time you press the + button, the temperature setting will increase 1 Degree. Each time you press the - button, the temperature setting will decrease 1 Degree.

Once you have reached the desired temperature setting, the display will continue to flash for 5 seconds, then revert to showing the compartment temperature.


To view the real time temperature, press and hold the +/- button for 5 seconds. The interior temperature will flash in the LED Display for 5 seconds.

If you wish to change the display from Fahrenheit to Celsius (or vice versa) press and hold both "+" and "-" simultaneously for 5 seconds.

LED LIGHTS



L1: When you turn on your unit, the internal light will switch on when the door is opened, and off when the door is closed.

L2: Press  the internal light will remain on after the door is closed.


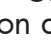
L3: Press  twice, the internal light will dim 50% after 3 minutes.

TAKE CONTROL

CONTINUED

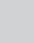
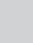
TRI-COLOR LIGHTING



When you turn your XO wine & weed on, the interior lights will be white. Press the  icon and the lights will change to midnight blue. Press the  icon again and the lights will change to honey amber.

ECO MODE







When you turn your XO Unit on, it is set to work in Standard Mode. Press  and ECO Mode is turned on, ECO Mode is an energy saver function. Press  again and ECO Mode is turned off, the unit returns to Standard Mode.



SABBATH MODE



Sabbath Mode was designed for use on the Jewish Sabbath and Holidays. The Sabbath Mode feature makes it possible to use your appliance during the duration of the holiday. The Sabbath Mode overrides typical reactions caused by interactions with the unit. While in Sabbath Mode your appliance will operate, however it will not respond to your actions.

To initiate Sabbath Mode: Press and hold both  +  for 5 seconds. The display will show either "Sb" or "Sb On" depending on the model you have to indicate Sabbath Mode is engaged. To turn Sabbath Mode off and return to Standard Mode, Press and hold both  +  for 5 seconds again.

DEMO MODE

Press  for 5 seconds, DEMO mode is turned on. Press  for 5 seconds again, DEMO mode is turned off and your XO returns to standard mode.

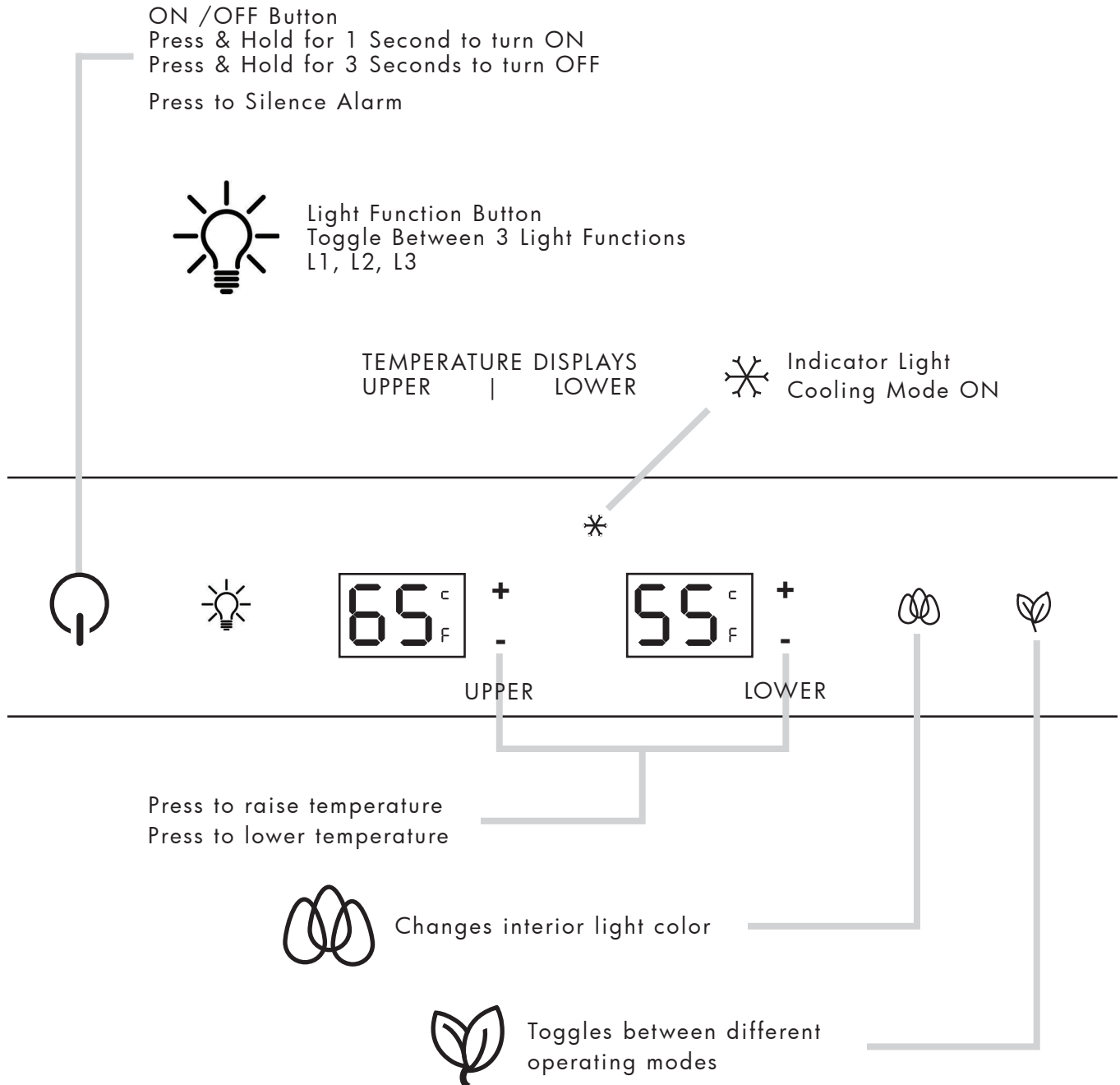
Your controls are simple and intuitive to operate.

I love saving Energy!

XO

DUAL ZONE CONTROL

2 ZONE WINE & WEED PRESERVATION



Upper compartment: The temperature setting can be adjusted from 55-68°F.
Lower compartment: The temperature setting can be adjusted from 50-64°F.
Your controls are simple and intuitive to operate.

A LITTLE TLC GOES A LONG WAY

Cleaning the Inside:

Walls, floor, inside window, and shelves - Some water deposits and dust can be removed with a dry paper towel, others may require a damp cloth.

Cleaning the Outside:

Outer case - It is important to keep the area clean where the door seals against the cabinet. Clean this area with a soapy cloth. Rinse with a damp cloth and let dry.

Control Panel and Door - Wipe with a damp cloth and dry thoroughly. Do not use cleaning sprays, large amounts of soap and water, abrasive, or sharp objects on the panel, they can damage it.

CAUTION: Some paper towels may also scratch the control panel and glass on the door.

Door Surface - Use only mild, non-abrasive detergents applied with a clean sponge or soft cloth. Rinse well with damp cloth.

NOTE: Do not use cleaners containing ammonia or alcohol on your XO unit. Ammonia or alcohol can damage the appearance of the appliance.

NOTE: Never use any commercial/abrasive cleaners or sharp objects on any part of the wine cooler.

POWER FAILURE

Most power failures are corrected within a few hours and should not affect the temperature of your appliance if you minimize the number of times the door is opened.

If the power is off for a longer period of time, you need to take the proper steps to protect your contents.

VACATION

Short vacations: Leave the XO unit operating during vacations of less than three (3) weeks.

Long vacations: If the appliance will not be used for an extended period, remove all items and turn off the appliance.

Clean and dry the interior thoroughly. To prevent odor and mold growth, leave the door open slightly, blocking it open if necessary.

ENERGY SAVING TIP

The unit should be located in the coolest area of the room, away from heat producing appliances, and out of direct sunlight.

MOVING

Remove all items and securely tape down all loose items (shelves) inside your appliance

Turn the adjustable leveling legs all the way into the base to avoid damage

Tape the door shut and transport the XO unit securely in the upright position

Blanket wrap the exterior to help protect against scratches and other damage

FAQ'S

Q. There doesn't appear to be any power to the unit.

A. There are 3 easy to check common causes:

- (1) Check to see if a fuse has blown or circuit breaker has tripped & replace or reset.
- (2) Check to ensure the plug is fully inserted into the outlet.
- (3) A power surge may have caused the unit to shut down to protect itself - Unplug the unit, wait 5 seconds and plug it back in.

Q. The cabinet temperature is too high.

A. Check these 5 things:

- (1) Check the temperature setting and adjust as needed.
- (2) Make certain the door is completely closed and the door gasket is sealing properly.
- (3) Avoid opening the door frequently and/or leaving the door open for extended periods.
- (4) Did you load a large quantity of warm bottles at once? It is better to add smaller quantities in several loads.
- (5) Make certain nothing is blocking the toe kick vents (including dust behind the vents).

Q. The alarm is beeping and "HI" is displayed on the control panel.

A. See the question and answers above - if the door has been tightly closed and you have not recently added a large quantity of warm bottles, it may be a mechanical issue. Unplug the unit and call for service.

Q. The alarm is beeping and "LO" is displayed on the control panel.

A. This may be a sensor malfunction. Unplug the unit and call for service.

MORE "Q & A"

Q. Why does condensation form on the inside or outside of my XO unit?

A. It may be that the door is either opened repeatedly or not closed completely. It may also be due to an excessive ambient humidity, in which case it will clear when the humidity drops.

Q. There is warm air coming from the bottom of my unit.

A. This is normal. Cooling systems must vent the heat they remove from inside the cabinet.

Q. Why does the evaporator fan run all the time?

A. It continually recirculates air to ensure cabinet temperatures are consistent.

Q. How do I adjust temperature?

A. Refer to Pages 7 & 10.

Q. How do I adjust rack height?

A. Refer to Page 20.

Q. When does the high temperature alarm sound?

A. If internal temperature exceeds 70°F for more than 60 minutes.

Q. If the door hinge is next to a wall, how much clearance do I need to open the door?

A. The unit should be at least 2" from the wall to allow the door to open at least 90°.

WE'VE GOT YOUR BACK

90 DAY LOVE IT or LEAVE IT. For 90 Days all our products are backed by our unique Love it or Leave it Guarantee.

TWO-YEAR PARTS & LABOR LIMITED WARRANTY. XO warrants to the original purchaser of every new XO refrigerated unit, the cabinet and all parts thereof, to be free from defects in material or workmanship under normal and proper use and maintenance as specified by XO and upon proper installation and start-up in accordance with the instruction packet supplied with each XO unit. XO's obligation under this warranty is limited to a period of two (2) years from the date of original purchase.

FIVE-YEAR COMPRESSOR LIMITED WARRANTY. XO warrants its compressor to be free from defects in both material and workmanship under normal and proper use and maintenance service for a period of five (5) years from the date of original purchase. If the compressor fails during that time period due to a defect in material or workmanship, XO will supply a replacement compressor free of charge. The consumer will be responsible for all related transportation and labor costs. Product must be registered with XO to qualify for this warranty.

TERMS APPLICABLE TO EACH WARRANTY. Any part covered under the above warranties that is determined by XO to have been defective within the time frame is limited to the repair or replacement, including labor charges, of defective parts or assemblies. The labor warranty shall include standard straight time labor charges only and reasonable travel time, as determined by XO.

WARRANTY CLAIMS. All claims for labor or parts must be made directly through XO. All claims should include: model number and serial number of cabinet, proof of purchase, and date of installation. In case of warranted compressor, the compressor model tag must be returned to XO along with the above listed information.

WHAT IS NOT COVERED BY THIS WARRANTY. XO's sole obligation under this warranty is limited to either repair or replacement of parts, subject to the additional limitations below. This warranty neither assumes nor authorizes any person to assume obligations other than those expressly covered by this warranty. Open box, factory seconds, scratch and dent, and floor models are excluded from these warranties. Consumer shall be responsible for labor and transportation costs where noted above.

NO CONSEQUENTIAL DAMAGES. XO is not responsible for economic loss, profit loss; or special, indirect or consequential damages, including without limitation, losses or damages arising from food or product spoilage claims whether or not on account or refrigeration failure.

WARRANTY IS NOT TRANSFERABLE. This warranty is not assignable and applies only in favor of the original purchaser/user at the original installation location. Any such assignment or transfer shall void the warranties herein made and shall void all warranties, express or implied, including any warranty or merchantability or fitness for a particular purpose.

IMPROPER USAGE. XO assumes no liability for parts or labor coverage for component failure or other damages resulting from improper usage or installation or failure to clean and/or maintain product as set forth in the warranty packet provided with the unit.

ALTERATION OR NEGLECT. XO is not responsible for the repair or replacement of any parts that XO determines have been subjected after the date of manufacture to alteration, neglect, abuse, misuse, accident, damage during transit or installation, fire, flood, or act of God.

IMPROPER ELECTRICAL CONNECTIONS. XO is not responsible for the repair or replacement of failed or damaged components resulting from electrical power failure, high or low voltage, use of extension cords, or improper grounding of the unit.

YOUR RIGHTS UNDER STATE LAW. This warranty gives you specific legal rights and you may have other rights that vary from state to state. Some states do not allow the exclusion or limitation of consequential damages or a limitation on how long an implied warranty lasts, so the above exclusion or limitation may not apply to you.

OUTSIDE U.S. This warranty does not apply to, and XO is not responsible for, any warranty claims made on products sold or used outside the 48 continental United States.

To obtain service:

Call 973-403-8900 | email service@xoappliance.com | or submit a request on our website
www.xoappliance.com

