

PH48HWS

24-INCH DEPTH WALL HOOD (48-INCH WIDTH)

PROFESSIONAL COLLECTION



FEATURES & BENEFITS

- Professional Collection wall hoods add bold, distinct flair to your kitchen and are crafted to complete the ultimate cooking system
- 24" in depth, a perfect companion to Pro Harmony® Ranges and Rangetops
- Powerfully Quiet® system accepts integral, inline, and remote blowers
- Commercial-style baffle filters
- Beautiful illumination with multi-level, vivid LED lights

ACCESSORIES (OPTIONAL)

25 ft. Blower Connector Cable - EXTNCB25W

EXTNCB25W - For use with the following inline and remote blowers: VTR2FZ, VT12FZ

Roofplates

RFPLT1000P - For use with 1000 CFM remote blower VTR2FZ

6" Tall Duct Cover, 48" Wide	DC486W
8' - 9' Ceiling Telescoping Duct Cover, 48" Wide	DC4889W
10' - 12' Ceiling Telescoping Duct Cover, 48" Wide	DC481012W

Built-In Remote Control Panel

REMCPU - Ability to vertically install on cabinetry or wall to control hood in a convenient location

GENERAL PROPERTIES

Features

Multi-Level LED Lights with Fading Transitions, Automatic Mode, Check Filter Reminder Light, Delay Shut-Off

Operating Mode	Ducted
Number of Speed Settings	4-Stage
Motor Location	Blower (Sold Separately)
Number Of Lights	4
Bulb Type	LED
Light Lumens	100 – 150
Light Color	3500 – 4000 K
Total Power Of The Lamps	4.8 W
Damper Included	Yes
Grease Filter Material	Aluminum
Grease Filter Type	Commercial Style Baffle Filter
Home Connect® (Wi-Fi Enabled)	No

TECHNICAL DETAILS

Watts	See Chart on Page 3
Current	See Chart on Page 3
Volts	120 V
Frequency	60 HZ
Plug Type	Fixed Connection

DIMENSIONS & WEIGHT

Overall Appliance Dimensions (Width Of Canopy Included) (HxWxD)	18" x 47 15/16" x 24"
Minimum Distance Above Gas / Electric Cooking Surface	30" / 30"
Diameter of Air Duct Top	10"
Diameter of Air Duct Back	10"
Net Weight	94 lbs

ACCESSORIES (REQUIRED)

Blower (Sold Separately)

BLOWER OPTIONS

Remote Blower (Mounted to Roof or External Wall)	VTR2FZ – 1000 CFM
Inline Blower (Mounted Between Kitchen and External Wall)	VT12FZ – 1000 CFM
Integrated Blower (Mounted in Hood)	VTN2DA – 700 CFM
	VTN2FZ – 1000 CFM

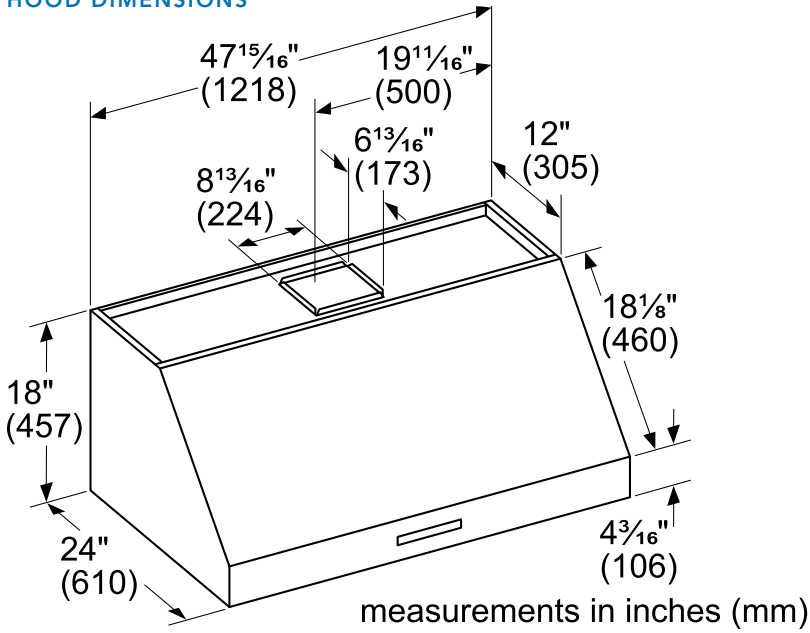
WARRANTY

Limited Warranty Parts And Labor	2 Year
----------------------------------	--------

PH48HWS
24-INCH DEPTH WALL HOOD
(48-INCH WIDTH)
 PROFESSIONAL COLLECTION



HOOD DIMENSIONS

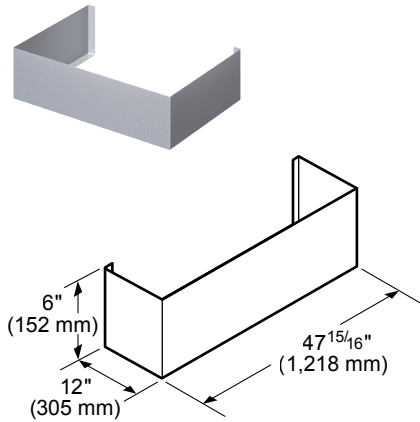


OPTIONAL ACCESSORIES

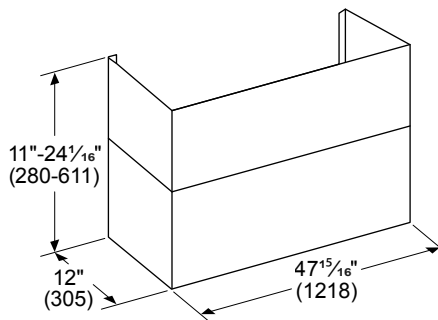
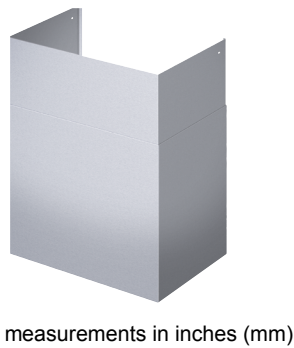
48" WIDE DUCT COVER

Stainless steel duct cover for wall hood applications

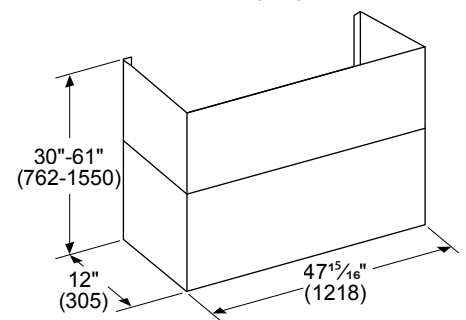
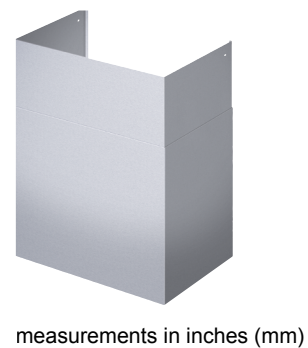
DC486W 6" TALL



DC4889W TELESCOPING FOR 8'-9' CEILINGS



DC481012W TELESCOPING FOR 10'-12' CEILINGS



REMOTE CONTROL PANEL REMCPW



Convenience at your fingertips: The remote control accessory offers the freedom to extend your hood controls to a more reachable spot

PH48HWS
24-INCH DEPTH WALL HOOD
(48-INCH WIDTH)
 PROFESSIONAL COLLECTION

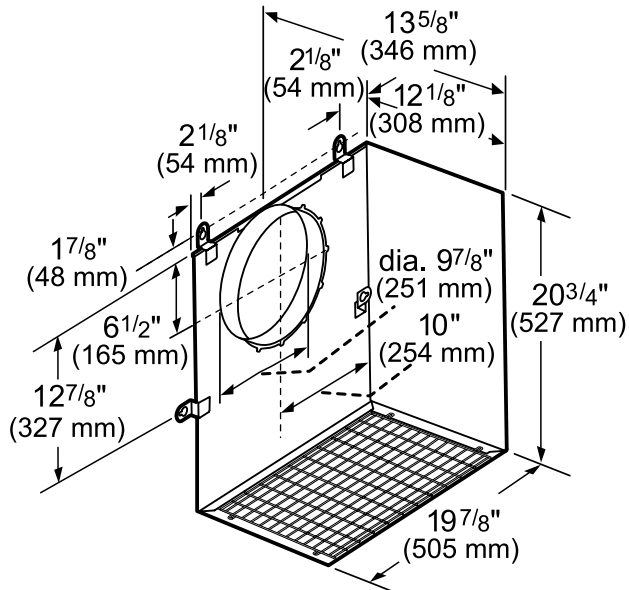


ELECTRIC LOAD (120V, 60HZ)

		Remote Blower	Inline Blower	Integrated Blower	
		VTR2FZ	VTI2FZ	VTN2DA	VTN2FZ
PH48HWS	Amps	11.1	11.1	8.3	9.5
	Watts	1,332	1,332	996	1,140

REMOTE BLOWERS (MOUNTED TO ROOF OR EXTERNAL WALL)

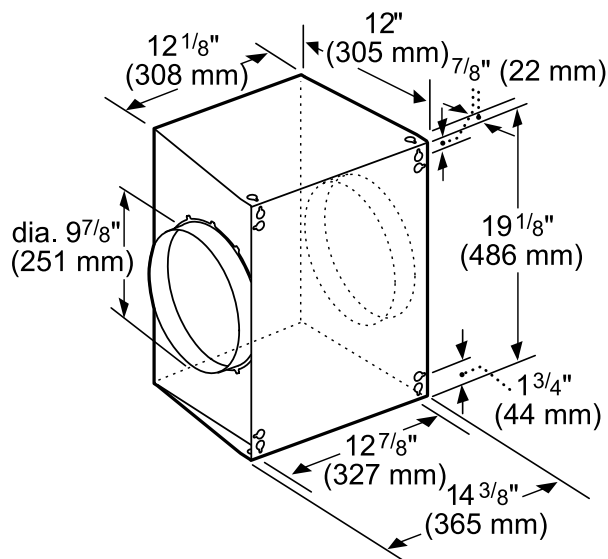
VTR2FZ – 1000 CFM



measurements in inches and mm

INLINE BLOWERS (MOUNTED BETWEEN KITCHEN AND EXTERNAL WALL)

VTI2FZ – 1000 CFM



measurements in inches and mm

PH48HWS

24-INCH DEPTH WALL HOOD (48-INCH WIDTH)

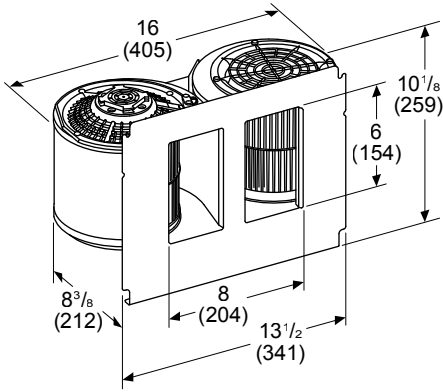
PROFESSIONAL COLLECTION



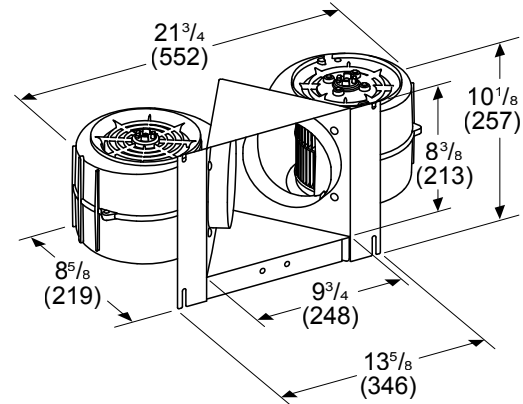
INTEGRATED BLOWERS (MOUNTED IN HOOD)

VTN2DA – 700 CFM

Measurements in inches (mm)



VTN2FZ – 1000 CFM



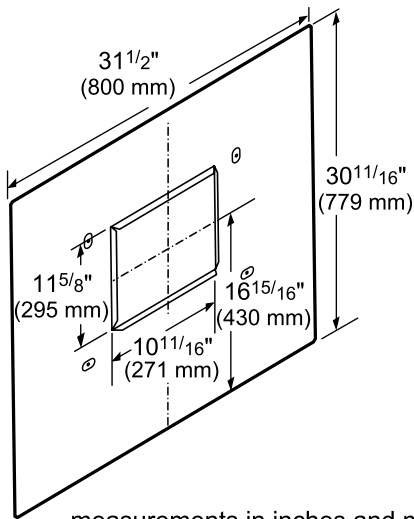
Measurements in inches (mm)

HVI PERFORMANCE VALUES

PH48HWS WITH BLOWER VTN2FZ								
Exhaust	Pressure (in. H ₂ O)		Power (W)		CFM		Sones	
	High Speed	Working Speed	High Speed	Working Speed	High Speed	Working Speed	High Speed	Working Speed
Horizontal	0.1	0.016	7.15	3.32	980	390	14.0	3.0
Vertical	0.1	0.017	7.15	3.31	990	390	15.0	3.0

REMOTE BLOWER ACCESSORIES

ROOFPLATE – RFPLT1000P



EXTNCB25W

For use with the following Inline and Remote Blowers: VTR2FZ, VT12FZ

These warranties give you specific legal rights and you may have other rights that vary from state to state. Limited warranty from date of delivery. For complete warranty details, refer to your Use & Care manual, or ask your dealer.

Specifications are for planning purposes only. Refer to installation instructions and consult your countertop supplier prior to making counter opening. Consult with a heating and ventilation engineer for your specific ventilation requirements. For the most detailed information, refer to installation instructions accompanying product or write to Thermador indicating the model number. Specifications are correct at time of printing. Thermador reserves the right to change product specifications or design without notice. Some models are certified for use in Canada. Thermador is not responsible for products that are transported from the U.S. for use in Canada.