

# 36" Series 7 Integrated Refrigerator Freezer, Ice & Water

Integrated



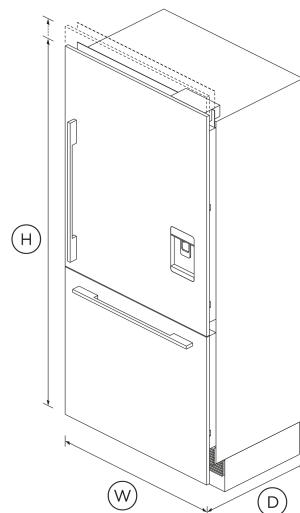
Choose a spacious refrigerator that fits flush into surrounding cabinetry, complemented by our stylish stainless steel panel with a slimline water dispenser.

- ActiveSmart™ technology helps keep food fresher for longer by constantly maintaining the ideal temperature
- SmartTouch control panel ensures ease of use
- Spacious bottom freezer featuring a full-extension drawer and an ice maker with boost function

- Stainless steel door panels and handles are available for separate purchase

## DIMENSIONS

Height	79 13/16 "
Width	35 1/16 "
Depth	23 3/4 "



## FEATURES & BENEFITS

### Perfect Fit

These models fit flush and have minimal gaps, with no visible hinges. Purchase our stainless steel door panel and handles separately for a sleek, modern finish that complements your kitchen's style.

### ActiveSmart™ Foodcare

ActiveSmart™ Foodcare learns how you live. By understanding how you use your refrigerator and adjusting temperature, airflow and humidity inside, it helps keep food fresher for longer.

### Flexible Storage

Designed to make it simple for you to store, sort and access food. Storage bins give you full access inside when they're pulled open and can be easily removed to clean. Our cantilevered shelving also gives you more storage options.

### Water dispenser

The slimline dispenser makes it easy to fill almost any sized jug or vessel with cool filtered water without taking up any storage space in your fridge.

### Ice Maker

Fresh ice is always available for you in a dedicated freezer bin. Simply turn it off to free up freezer space or during busy times, you can boost ice production by up to 30%.

### Beautiful Lighting

LED lighting illuminates the interior with a crisp, clean glow for enhanced visibility. Our energy saving LEDs use less power than comparable halogen lights.

### Easy Cleaning

No more permanent dirty marks with our EZKleen feature for stainless steel refrigerators. Anti-fingerprint coating means you simply wipe clean any marks. Spill-safe secure glass shelves easily capture any drips or leaks.

## SPECIFICATIONS

### Accessories (sold separately)

Door panel stainless steel Right hinge 84"	<b>RD3684WRU</b>
Handle kit Classic	<b>AHCLRD36W</b>
Handle kit Contemporary round, aluminium	<b>AHS-ASBI-B</b>

Handle kit Contemporary square fine, aluminium	<b>AHD5RD36W</b>
Handle kit Contemporary square fine, black	<b>AHD5RD36WB</b>
Handle kit Professional round flush	<b>AHP3RD36W</b>
Joiner Kit	<b>RS3680W</b>
Water filter replacement	<b>847200 - FWC3</b>

Stackable bottle holders	<b>4</b>
Ultra slim water dispenser	<b>•</b>

Depth	<b>23 3/4 "</b>
Height	<b>79 13/16 "</b>
Width	<b>35 1/16 "</b>

**Capacity**

Total gross capacity	<b>16.8 cu ft</b>
Volume	<b>16.8 cu ft</b>
Volume freezer	<b>5.1 cu ft</b>
Volume refrigerator	<b>11.7 cu ft</b>

**Freezer Features**

Automatic ice maker	<b>•</b>
Bottle chill	<b>•</b>
Door alarm	<b>•</b>
Fast freeze	<b>•</b>
Freezer bins	<b>2</b>
Ice Boost	<b>•</b>
LED Lighting	<b>•</b>
Slide Out Pastry Tray	<b>•</b>

**Product information**

Unpackaged weight	<b>327 lbs</b>
-------------------	----------------

SKU	26319
-----	-------

The product dimensions and specifications in this page apply to the specific product and model. Under our policy of continuous improvement, these dimensions and specifications may change at any time. You should therefore check with Fisher & Paykel's Customer Care Centre to ensure this page correctly describes the model currently available. © Fisher & Paykel Appliances Ltd 2020

**Consumption**

Energy rating	<b>Energy Star</b>
Energy usage	<b>534kWh/year</b>
In-use energy carbon emissions estimate	<b>188.3kgCO2e/year</b>

**Performance**

ActiveSmart™ Foodcare	<b>•</b>
Adaptive defrost	<b>•</b>
Frost Free Freezer	<b>•</b>
Humidity control system	<b>•</b>
Inverter controlled compressor	<b>•</b>
Sabbath mode	<b>•</b>

**Other product downloads available at fisherpaykel.com**

- [↓](#) DWG
- [↓](#) DWG
- [↓](#) DXF
- [↓](#) DXF
- [↓](#) Data Sheet (English)
- [↓](#) Energy Label
- [↓](#) Energy Label
- [↓](#) Water Filter Replacement Instructions - Parts 847200 and 847201 (English)
- [↓](#) Installation Guide - Dual (English)
- [↓](#) Installation Guide (English)
- [↓](#) Water Filter Replacement Instructions - Parts 847200 and 847201 (French)

**Features**

Adjustable door shelves	<b>6</b>
Adjustable glass cantilevered shelves	<b>•</b>
Adjustable glass shelves	<b>3</b>
Covered door shelves	<b>2</b>
Deli storage bins	<b>1</b>
Door alarm	<b>•</b>
Fruit and vegetable bins	<b>2</b>
LED lighting	<b>•</b>
Smart appliance	<b>•</b>
SmartTouch control panel	<b>•</b>

**Power Requirements**

Rated current	<b>10 A</b>
Supply frequency	<b>60 Hz</b>
Supply voltage	<b>115 V</b>

**Product Dimensions**

- [↓ Installation Guide \(Canadian French\)](#)
- [↓ Revit](#)
- [↓ Rhino - 84" Door and Contemporary Round Handle](#)
- [↓ Rhino - 84" Door Panel and Contemporary Square Handle](#)
- [↓ Rhino - 84" Door and Custom Panel](#)
- [↓ Rhino - 84" Door and Professional Round Flush Handle](#)
- [↓ Rhino - 84" Door and Professional Round Handle](#)
- [↓ Rhino - 84" Door and Professional Square Handle](#)
- [↓ Rhino - 84" Door and Square Fine Black Handle](#)
- [↓ Rhino - 84" Door and Square Fine Handle](#)
- [↓ Rhino - Custom Panel](#)
- [↓ Rhino - Door and Contemporary Round Handle](#)
- [↓ Rhino - Door and Contemporary Square Handle](#)
- [↓ Rhino - Door and Professional Round Flush Handle](#)
- [↓ Rhino - Door and Professional Round Handle](#)
- [↓ Rhino - Door and Professional Square Handle](#)
- [↓ Rhino - Door and Contemporary Square Fine Black Handle](#)
- [↓ Rhino - Door and Square Fine Handle](#)
- [↓ Right To Repair Declaration \(English, Canadian French\)](#)
- [↓ SketchUp - 84" Door and Contemporary Round Handle](#)
- [↓ SketchUp - 84" Door and Contemporary Square Handle](#)
- [↓ SketchUp - 84" Custom Panel](#)
- [↓ SketchUp - 84" Door and Professional Round Flush Handle](#)
- [↓ SketchUp - 84" Door and Professional Round Handle](#)
- [↓ SketchUp - 84" Door and Professional Square Handle](#)
- [↓ SketchUp - 84" Door and Square Fine Black Handle](#)
- [↓ SketchUp - 84" Door and Square Fine Handle](#)
- [↓ SketchUp - Custom Panel](#)
- [↓ SketchUp - Door and Contemporary Round Handle](#)
- [↓ SketchUp - Door and Contemporary Square Handle](#)
- [↓ SketchUp - Door and Professional Round Flush Handle](#)
- [↓ SketchUp - Door and Professional Round Handle](#)
- [↓ SketchUp - Door and Professional Square Handle](#)
- [↓ SketchUp - Door and Square Fine Black Handle](#)
- [↓ SketchUp - Door and Square Fine Handle](#)

[↓ User Guide \(English\)](#)

**Where applicable:**

All appliances use energy, and energy usage typically generates carbon emissions. **Fisher & Paykel Appliances' In-use Energy Carbon Emissions Estimate** indicates carbon emissions from a product's in-use energy. This is calculated either annually or per cycle, using the product's market-specific energy label energy consumption data multiplied by the carbon emissions factor for energy in your country or region.

Our In-use Energy Carbon Emissions Estimate is designed to assist customers in making informed purchasing decisions when comparing different Fisher & Paykel products. For example, a heat pump dryer typically has a lower In-use Energy Carbon Emissions Estimate than a vented dryer.



**A PEACE OF MIND SALE**  
**24 Hours 7 Days a Week Customer Support**  
 T 1.888.936.7872 **W**www.fisherpaykel.com