

Safety & Installation Instruction

WASHER/DRYER SAFETY

Washer Safety

Your safety and the safety of others is very important.

We have provided many important safety messages in this manual and on your appliance. Always read and obey all safety messages.



This is the safety alert symbol.

This symbol alerts you to potential hazards that can kill or hurt you and others.

All safety messages will follow the safety alert symbol and either the word "DANGER" or "WARNING." These words mean:

⚠ DANGER

You can be killed or seriously injured if you don't immediately follow instructions.

⚠ WARNING

You can be killed or seriously injured if you don't follow instructions.

All safety messages will tell you what the potential hazard is, tell you how to reduce the chance of injury, and tell you what can happen if the instructions are not followed.

IMPORTANT SAFETY INSTRUCTIONS

WARNING: To reduce the risk of fire, electric shock, or injury to persons when using your appliance, follow basic precautions, including the following:

- Read all instructions before using the appliance.
- Do not wash articles that have been previously cleaned in, washed in, soaked in, or spotted with gasoline, dry-cleaning solvents, or other flammable or explosive substances, as they give off vapors that could ignite or explode.
- Do not add gasoline, dry-cleaning solvents, or other flammable or explosive substances to the wash water. These substances give off vapors that could ignite or explode.
- Under certain conditions, hydrogen gas may be produced in a hot-water system that has not been used for 2 weeks or more. **HYDROGEN GAS IS EXPLOSIVE.** If the hot-water system has not been used for such a period, before using a washing machine, turn on all hot-water faucets and let the water flow from each for several minutes. This will release any accumulated hydrogen gas. As the gas is flammable, do not smoke or use an open flame during this time.
- Risk of Suffocation and Injury from Entrapment: Do not allow children to play on or in the appliance. Close supervision of children is necessary when the appliance is used near children.
- Before the appliance is removed from service or discarded, remove the door.
- Do not reach into the appliance if the tub or agitator is moving.
- Do not install or store this appliance where it will be exposed to the weather.
- Do not tamper with controls.
- Do not repair or replace any part of the appliance or attempt any servicing unless specifically recommended in the user-maintenance instructions or in published user-repair instructions that you understand and have the skills to carry out.
- Do not use replacement parts that have not been recommended by the manufacturer (e.g. parts made at home using a 3D printer).
- See the Installation Instructions for grounding requirements and installation.

SAVE THESE INSTRUCTIONS

WARNING

Certain internal parts are intentionally not grounded and may present a risk of electric shock only during servicing. Service Personnel – Do not contact the Door Lock, Drain Pump, or Water Heater while the appliance is energized.

Dryer Safety

Your safety and the safety of others is very important.

We have provided many important safety messages in this manual and on your appliance. Always read and obey all safety messages.



This is the safety alert symbol.

This symbol alerts you to potential hazards that can kill or hurt you and others.

All safety messages will follow the safety alert symbol and either the word "DANGER" or "WARNING." These words mean:

⚠ DANGER

You can be killed or seriously injured if you don't immediately follow instructions.

⚠ WARNING

You can be killed or seriously injured if you don't follow instructions.

All safety messages will tell you what the potential hazard is, tell you how to reduce the chance of injury, and tell you what can happen if the instructions are not followed.



WARNING — "Risk of Fire"

- Clothes dryer installation must be performed by a qualified installer.
- Install the clothes dryer according to the manufacturer's instructions and local codes.
- To reduce the risk of severe injury or death, follow all installation instructions.
- Save these instructions.

Certain internal parts are intentionally not grounded and may present a risk of electric shock only during servicing.

Service Personnel – Do not contact the Door Lock , Drain Pump, Compressor while the appliance is energized.

IMPORTANT SAFETY INSTRUCTIONS

WARNING: To reduce the risk of fire, electric shock, or injury to persons when using your appliance, follow basic precautions, including the following:

- Read all instructions before using the appliance.
- Do not dry articles that have been previously cleaned in, washed in, soaked in, or spotted with gasoline, dry-cleaning solvents, or other flammable or explosive substances, as they give off vapors that could ignite or explode.
- Risk of Suffocation and Injury from Entrapment: Do not allow children to play on or in the appliance. Close supervision of children is necessary when the appliance is used near children.
- Before the appliance is removed from service or discarded, remove the door to the drying compartment.
- Do not reach into the appliance if the drum is moving.
- Do not install or store this appliance where it will be exposed to the weather.
- Do not tamper with controls.
- Do not repair or replace any part of the appliance or attempt any servicing unless specifically recommended in the user-maintenance instructions or in published user-repair instructions that you understand and have the skills to carry out.
- Do not use heat to dry articles containing foam rubber or similarly textured rubber-like materials.
- Clean lint screen before or after each load.
- Do not place items exposed to cooking oils in your dryer. Items contaminated with cooking oils may contribute to a chemical reaction that could cause a load to catch fire. To reduce the risk of fire due to contaminated loads, the final part of a tumble dryer cycle occurs without heat (cool down period). Avoid stopping a tumble dryer before the end of the drying cycle unless all items are quickly removed and spread out so that the heat is dissipated.
- Do not use replacement parts that have not been recommended by the manufacturer (e.g. parts made at home using a 3D printer).
- See the Installation Instructions for grounding requirements and installation.

SAVE THESE INSTRUCTIONS

IMPORTANT SAFETY INSTRUCTIONS

WHEN DISCARDING OR STORING YOUR OLD CLOTHES DRYER, REMOVE THE DOOR.

SAVE THESE INSTRUCTIONS

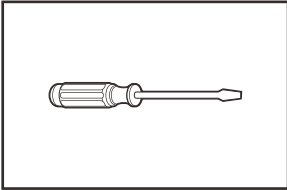
INSTALLATION INSTRUCTIONS

Installation Requirements

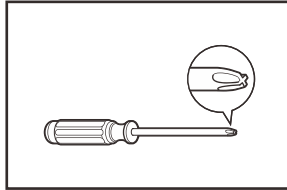
Tools And Parts

Gather the required tools and parts before starting installation.

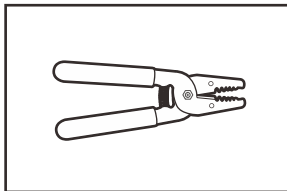
Tools needed:



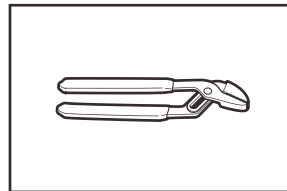
Flat-blade screwdriver



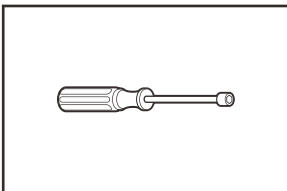
#2 Phillips screwdriver



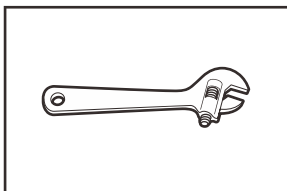
Wire stripper (direct wire installations)



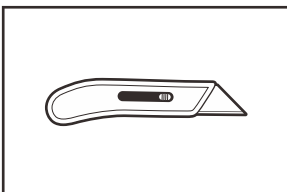
Channel locks



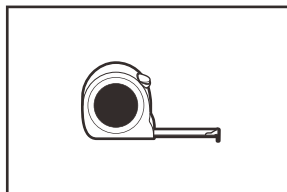
1/4" and 5/16" nut driver (recommended)



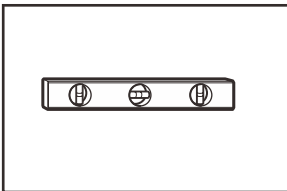
Adjustable wrench that opens to 1" (25 mm) or hex-head socket wrench



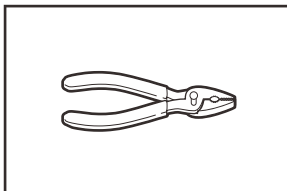
Utility knife



Tape measure

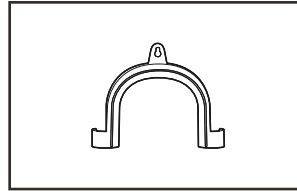


Level

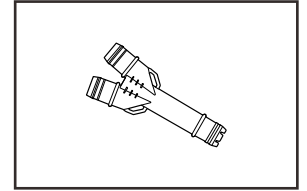


Pliers

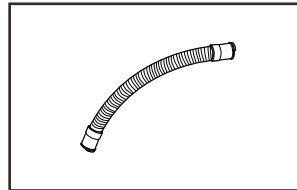
Parts supplied:



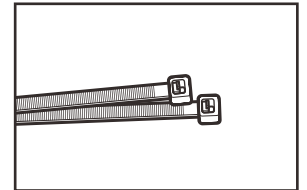
U-bend (for securing drain hose)



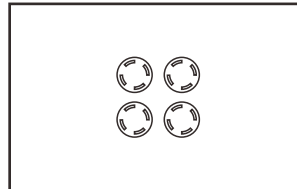
Y-Connector



Drain hose extension



Cable tie



Transportation bolt hole caps

Parts package is located in appliance drum. Check that all parts are included.

If using a power supply cord:

Use a UL Listed power supply cord kit marked for use with clothes dryers. The kit should contain:

- A UL Listed 30 A power supply cord, rated 120/240 V minimum. The cord should be type SRD or SRDT and be at least 4 ft. (1.22 m) long. The wires that connect to the tower must end in ring terminals or spade terminals with upturned ends.
- A UL Listed strain relief.

Location Requirements

WARNING

Explosion Hazard

Keep flammable materials and vapors, such as gasoline, away from dryer.

Do not dry anything that has ever had anything flammable on it (ever after washing).

Do not install in a garage.

Failure to do so can result in death, explosion, or fire.

IMPORTANT: Do not install, store, or operate appliance where it will be exposed to weather or in temperatures below 32°F (0°C). Water remaining in appliance after use may cause damage in low temperatures. See "Care and Maintenance" for winterizing information.

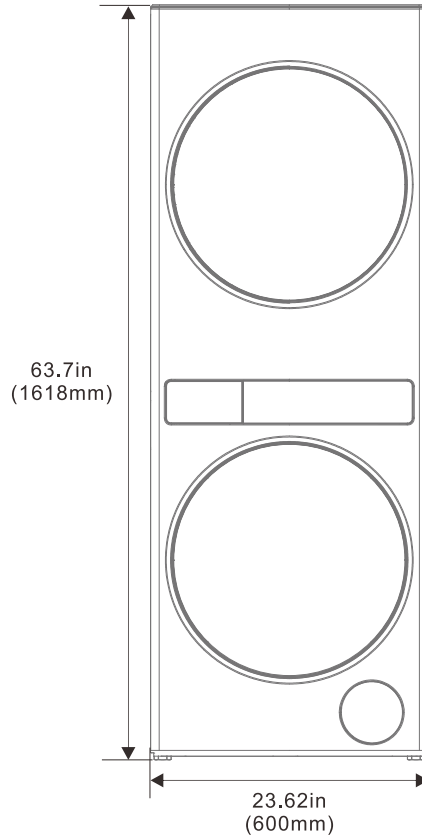
Select proper location for your appliance to improve performance and minimize noise and possible "appliance walk." Install your appliance in a basement, laundry room, closet or recessed area. Proper installation is your responsibility.

You will need:

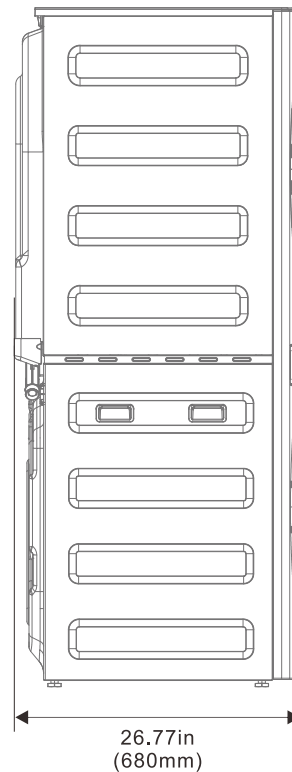
- A separate 30 A circuit.
- A water heater set to 120°F (49°C).
- If using a power supply cord, a grounded outlet located within 2 ft. (610mm) of either side of tower. See "Electrical Requirements."
- Hot and cold water faucets located within 4 feet (1.2 m) of hot and cold water fill valves on appliance, and water pressure of 20-100 psi (137.9-689.6 kPa).
- A level floor with maximum slope of 1" (25 mm) under entire appliance. Installing on carpet or surfaces with foam backing is not recommended.
- Floor must support washer's total weight (with water and load) of 409 pounds (186 kg).
- The Tower must not be installed or stored in an area where it will be exposed to water and / or weather.

All dimensions show minimum spacing allowed. For each arrangement, consider allowing more space for ease of installation and servicing, and spacing for companion appliances and clearances for walls, doors, and floor moldings. Space must be large enough to allow door to fully open. Add spacing of 1" (25 mm) on all sides of washer to reduce noise transfer. Doors must be louvered or equivalent and have at least 24 in 2 (155 cm²) bottom and 48 in 2 (310 cm²) top open area.

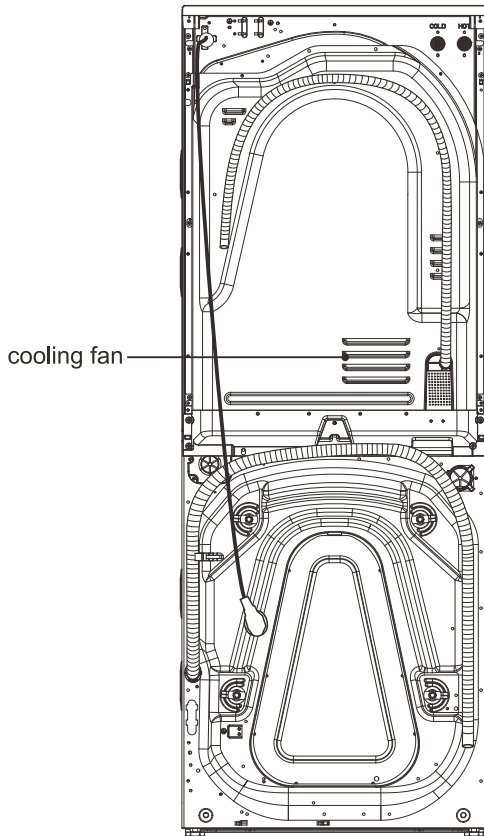
Tower Dimensions



Side view:



Back view:



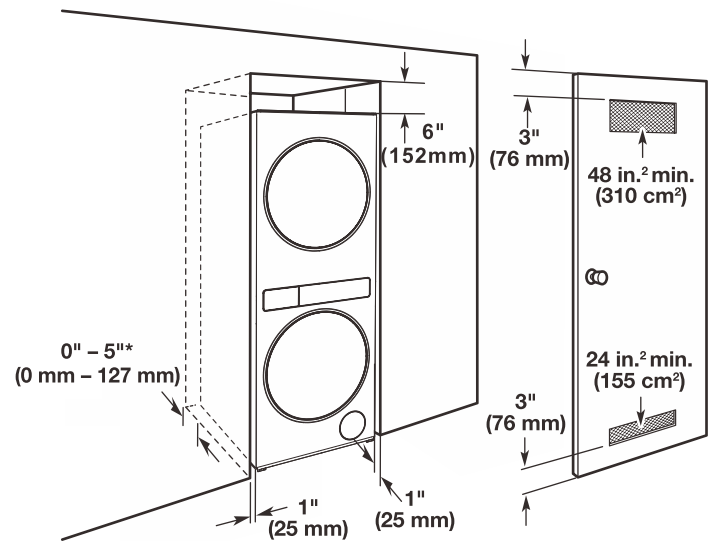
IMPORTANT: Do not block cooling fan, as your appliance may not operate properly.

Installation spacing for recessed area or closet installation:

All dimensions show recommended and minimum spacing allowed.

- Additional spacing should be considered for ease of installation and servicing.
- Additional clearances might be required for wall, door, floor, moldings, and drain system.
- Additional spacing should be considered on all sides of the appliance to reduce noise transfer.
- For closet installation, with a door, minimum ventilation openings in the top and bottom of the door are required. Louvered doors with equivalent ventilation openings are acceptable.
- Companion appliance spacing should also be considered.

Recommended installation clearances (appliance only):



Mobile home – Additional installation requirements:

This tower is suitable for mobile home installations. The installation must conform to the Manufactured Home Construction and Safety Standard, Title 24 CFR, Part 3280 (formerly the Federal Standard for Mobile home construction and Safety, Title 24, HUD Part 280) or Standard CAN/CSA-Z240 MH.

Installation

1. Unpacking

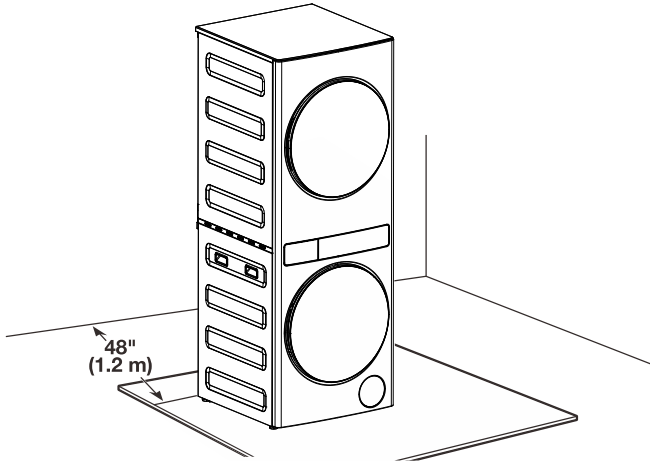
WARNING

Excessive Weight Hazard

Use two or more people to move and install or uninstall appliance.

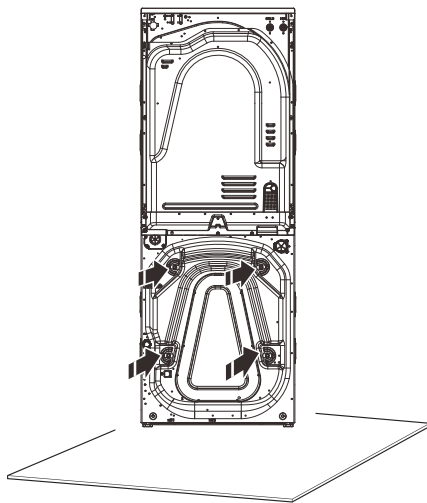
Failure to do so can result in back or other injury.

2. Move Appliance



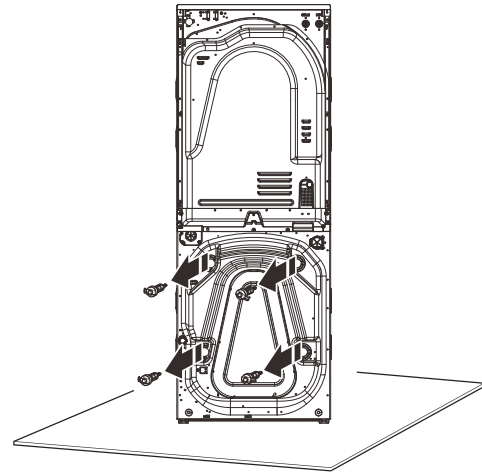
It is necessary to remove all the shipping materials, including removing the underneath styrofoam washer support piece, for proper operation and to avoid excessive noise from the appliance. Move the appliance to within 4 feet (1.2 m) of its final location using a wide appliance dolly, not a narrow handcart, to avoid damaging the washer drain pump just inside the open bottom. It must be in a fully upright position.

3. Locate transport bolts



Locate four transport bolts on rear of appliance.

4. Remove transportbolts from appliance



Loosen bolts with a 15/32" (12 mm) wrench. Slide each bolt and spacer to center of hole. Pull bolts and plastic spacers from back of appliance. Discard bolts and spacers.

IMPORTANT: Do not plug appliance in until installation has been completed.

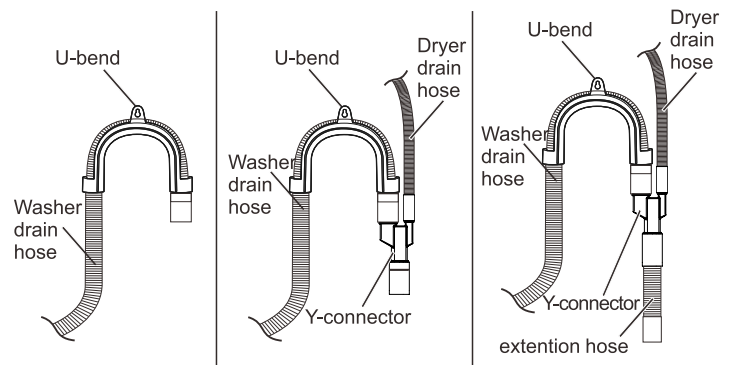
Connect Drain Hose

Drain system can be installed using a floor drain, wall standpipe, floor standpipe, or laundry tub. Select method you need.

IMPORTANT: To avoid siphoning, only 4.5" (114 mm) of drain hose should be inside standpipe. Always secure drain hose with cable tie.

It is the responsibility of the installer to install and secure the drain hose into the provided plumbing/drain in a manner that will avoid the drain hose coming out of or leaking from the plumbing/drain.

5. Install U-bend and Y-Connector and extension hose to Washer and Dryer hose

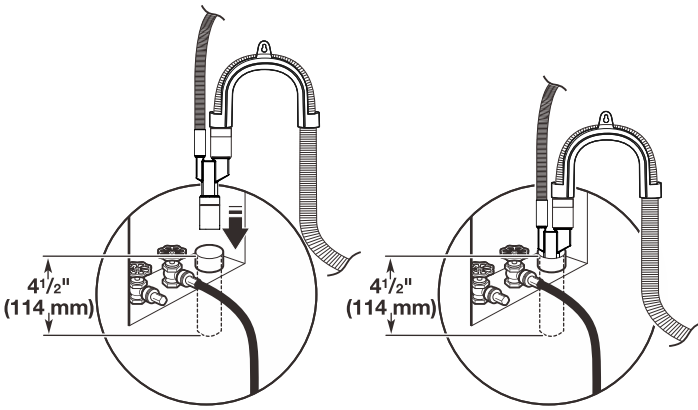


Install U-bend to Washer drain hose

Install Y-connector to Washer and Dryer drain hose

Install extension hose to Y-connector only if drain pipe is too small to fit Y-connector

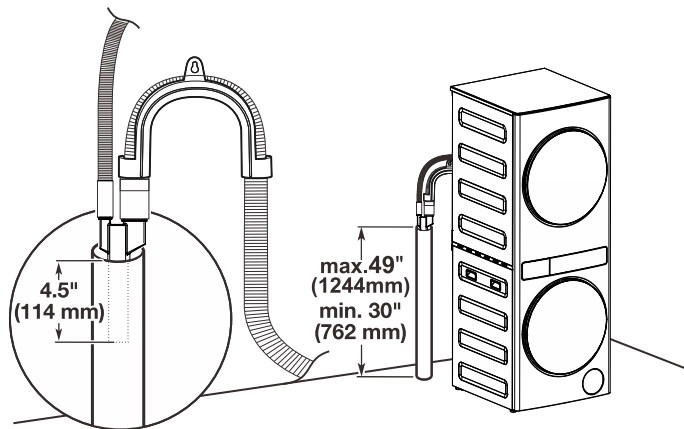
6. Wall standpipe drain system



Place hose into standpipe (shown in picture) . The U-Bend must be used. Do not use the small extension hose for this set-up unless drain is smaller than 2" (51mm).

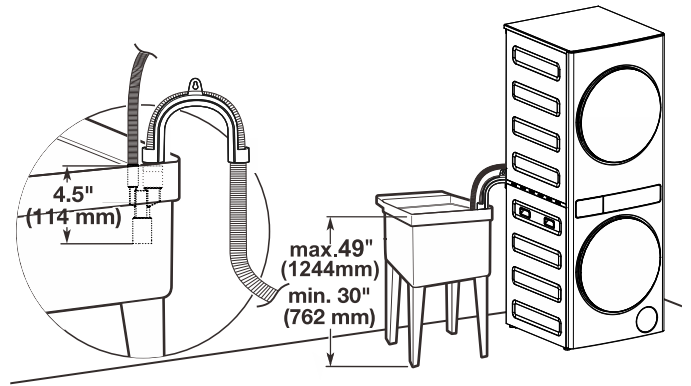
IMPORTANT: 4.5" (114 mm) of drain hose should be inside standpipe; do not force excess hose into standpipe.

7. Floor standpipe drain system



Do not use the small extension hose for this set-up. Minimum diameter for a standpipe drain: 2" (51 mm). Minimum carry-away capacity: 17 gal. (64 L) per minute. A 1/4" (6 mm) diameter to 1" (25 mm) diameter Standpipe Adapter Kit is available. Top of standpipe must be at least 30" (762 mm) high; install no higher than 49" (1.244 m) from bottom of appliance. **IMPORTANT:** Only 4.5" (114 mm) of drain hose should be inside standpipe; do not force excess hose into standpipe.

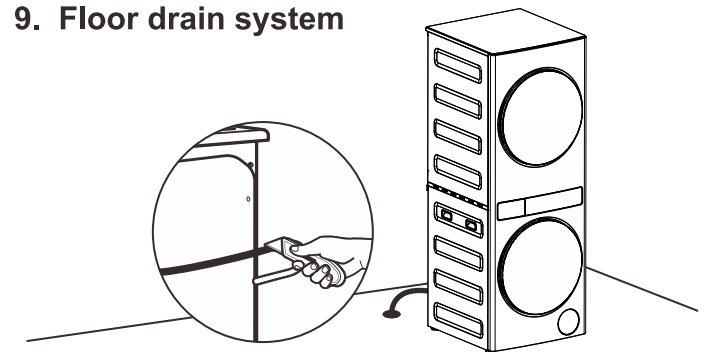
8. Laundry tub drain system



Place hose over side of laundry tub. The U-Bend must be used. Do not use the small extension hose for this set-up. Minimum capacity: 20 gal. (76 L). Top of laundry tub must be at least 30" (762 mm) above floor; install no higher than 49" (1.244 m) from bottom of appliance.

IMPORTANT: Only 4.5" (114 mm) of drain hose should lay on side of laundry tub. Do not lay the hose at the bottom of tub.

9. Floor drain system



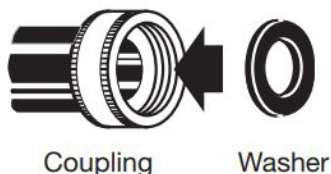
Remove the U-bend at the end of the drain hose by cutting the hose at the end of the U-bend for the floor drain system as shown in the picture above.

NOTE: Cut hose so that no more than 4.5" (114 mm) of the hose is in the floor drain to avoid siphoning.

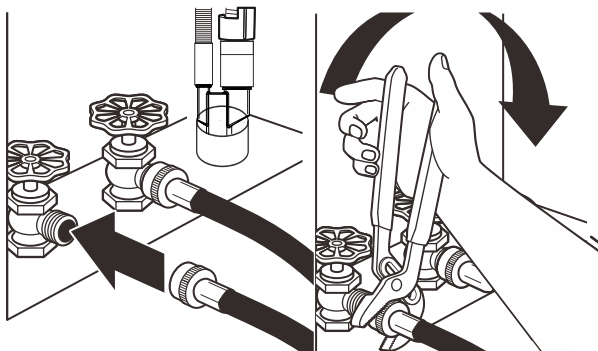
Connect Inlet Hoses

IMPORTANT: To avoid leaks, check that your water inlet hoses have flat washers at both ends. Washer must be connected to water faucets with new inlet hoses with flat washers (not provided). Do not use old hoses. Do not use hoses without washers.

10. Insert new flat washers



11. Connect inlet hoses to water faucets



IMPORTANT: Do not overtighten or use tape or sealants on valve when attaching to faucets or washer. Damage can result.

Attach the hose labeled hot to hot water faucet. Screw on coupling by hand until it is seated on washer. Use adjustable pliers to tighten couplings an additional two-thirds turn. Repeat this step with the hose labeled cold for the cold water faucet. Both hoses must be connected for washer to work properly.

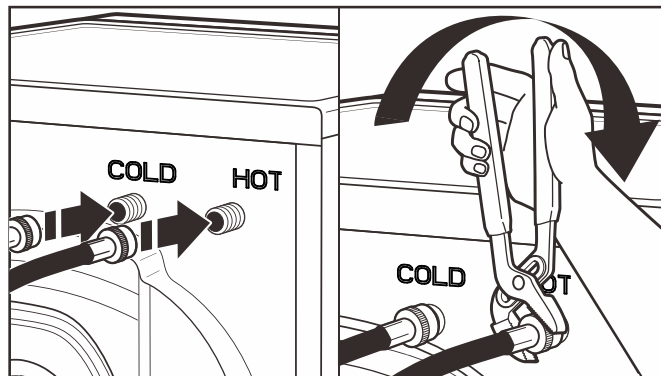
HELPFULTIP: Make note of which hose is connected to hot water to help in attaching hoses to washer correctly. In most standard configurations, hoses will cross over each other when attached correctly.

12. Clear water lines



Run water for a few seconds through hoses into a laundry tub, drainpipe, or bucket to avoid clogs. Water should run until clear.

13. Connect inlet hoses to appliance

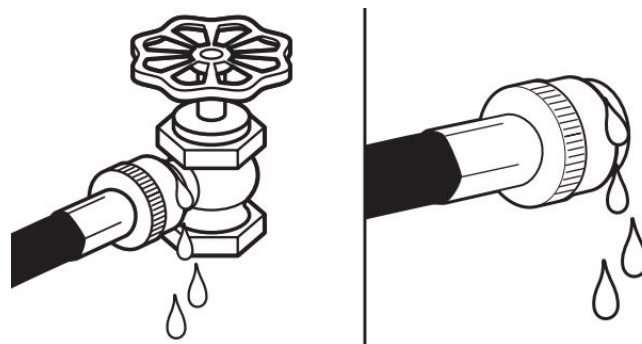


IMPORTANT: To reduce risk of hose failure, replace the hoses every 5 years. Record hose installation or replacement dates for future reference.

- Do not overtighten hose or use tape or sealants on the valve. Damage to the valves can result.
- Periodically inspect and replace hoses if bulges, kinks, cuts, wear, or leaks are found.

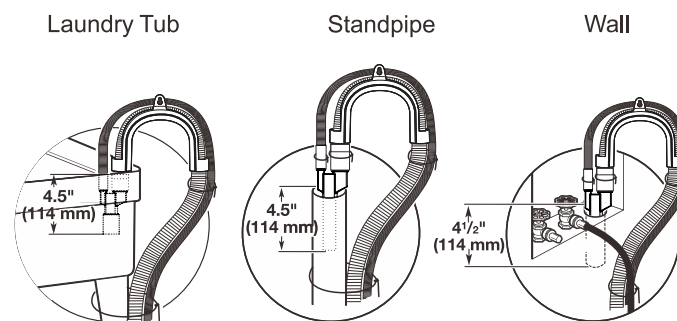
Attach hot water hose to hot water inlet valve. Screw coupling by hand until it is snug. Use adjustable pliers to tighten couplings an additional two-thirds turn. Repeat with cold water inlet valve.

14. Check for leaks



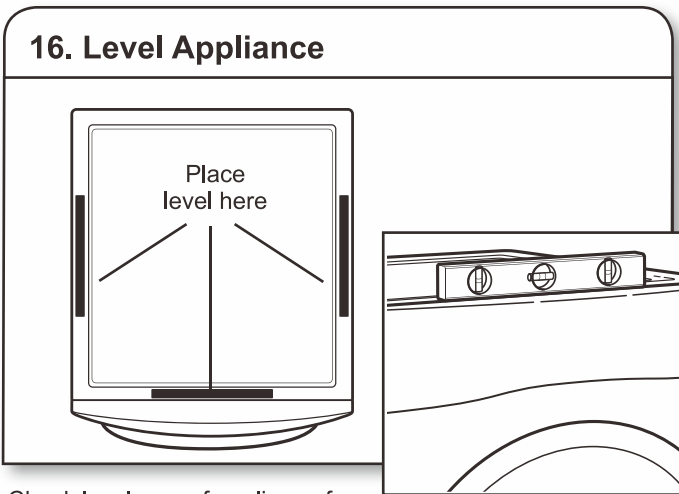
Slowly turn on water faucets to check for leaks. A small amount of water may enter washer. It will drain later.

15. Secure drain hose



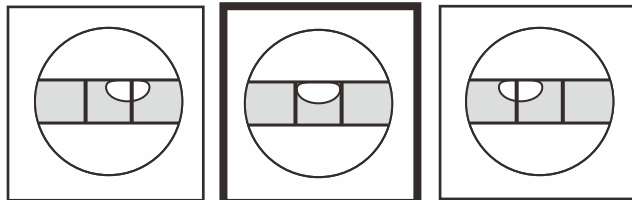
Secure drain hose to laundry tub leg, drain standpipe, or inlet hoses for wall standpipe with cable tie or beaded tie strap. It is the responsibility of the installer to install and secure the drain hose in to the provided plumbing/drain in a manner that will avoid the drain hose coming out of or leaking from the plumbing/drain.

Level tower



Check levelness of appliance from side to side. Repeat from front to back.

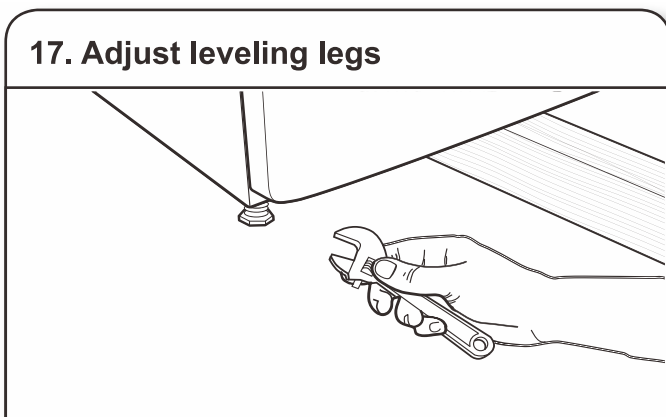
NOTE: The appliance must be level for the moisture-sensing system to operate correctly. If forward slope of appliance is greater than 1" (25 mm), water could run out from front of filter.



Not Level

Level

Not Level



If appliance is not level, prop up using a wood block, use a wrench to adjust legs up or down, and check again for levelness. Once appliance is level, make sure all four legs are snug against the floor and appliance does not rock.

Electrical Requirements –U.S.A. Only

It is your responsibility:

- To contact a qualified electrical installer.
- To be sure that the electrical connection is adequate and in conformance with the National Electrical Code, ANSI/NFPA 70 – latest edition and all local codes and ordinances. The National Electrical Code requires a 4-wire power supply connection for homes built after 1996, tower circuits involved in remodeling after 1996, and all mobile home installations. A copy of the above code standards can be obtained from: National Fire Protection Association, One Batterymarch Park, Quincy, MA 02269.
- To supply the required 3- or 4-wire, single-phase, 120/240 V, 60 Hz, AC-only electrical supply (or 3- or 4-wire, 120/208 V electrical supply, if specified on the serial/rating plate) on a separate 30 A circuit, fused on both sides of the line. Connect to an individual branch circuit. Do not have a fuse in the neutral or grounding circuit.
- Do not use an extension cord.
- If codes permit and a separate ground wire is used, it is recommended that a qualified electrician determine that the ground path is adequate.

Electrical Connection

To properly install your appliance, you must determine the type of electrical connection you will be using and follow the instructions provided for it here.

- This appliance is manufactured ready to install with a 3-wire electrical supply connection. The neutral ground conductor is permanently connected to the neutral conductor (white wire) within the appliance. If the appliance is installed with a 4-wire electrical supply connection, the neutral ground conductor must be removed from the external ground connector (green screw), and secured under the neutral terminal (center or white wire) of the terminal block. When the neutral ground conductor is secured under the neutral terminal (center or white wire) of the terminal block, the appliance cabinet is isolated from the neutral conductor. The green ground wire of the 4-wire power cord must be secured to the appliance cabinet with the green ground screw.
- If local codes do not permit the connection of a neutral ground wire to the neutral wire, see the "Optional External Ground for 3-Wire Connection" section.
- A 4-wire power supply connection must be used when the appliance is installed in a location where grounding through the neutral conductor is prohibited. Grounding through the neutral is prohibited for (1) new branch-circuit installations after 1996, (2) mobile homes, (3) recreational vehicles, and (4) areas where local codes prohibit grounding through the neutral conductors.

If using a power supply cord:

Use a UL Listed power supply cord kit marked for use with clothes dryers. The kit should contain:

- A UL Listed 30 A power supply cord, rated 120/240 V minimum. The cord should be type SRD or SRDT and be at least 4 ft. (1.22 m) long. The wires that connect to the appliance must end in ring terminals or spade terminals with upturned ends.
- A UL Listed strain relief.

If your outlet looks like this:



4-wire receptacle
(14-30R)

Then choose a 4-wire power supply cord with ring or spade terminals and UL Listed strain relief. The 4-wire power supply cord, at least 4 ft. (1.22 m) long, must have four 10-gauge copper wires and match a 4-wire receptacle of NEMA Type 14-30R. The ground wire (ground conductor) may be either green or bare. The neutral conductor must be identified by a white cover.



3-wire receptacle
(10-30R)

Then choose a 3-wire power supply cord with ring or spade terminals and UL Listed strain relief. The 3-wire power supply cord, at least 4 ft. (1.22 m) long, must have three 10-gauge copper wires and match a 3-wire receptacle of NEMA Type 10-30R.

If connecting by direct wire:

Power supply cable must match power supply (4-wire or 3-wire) and be:

- Flexible armored cable or nonmetallic sheathed copper cable (with ground wire), covered with flexible metallic conduit. All current-carrying wires must be insulated.
- 10-gauge solid copper wire (do not use aluminum) at least 5 ft. (1.52 m) long.

GROUNDING INSTRUCTIONS

■ For a grounded, cord-connected appliance:

This appliance must be grounded. In the event of malfunction or breakdown, grounding will reduce the risk of electric shock by providing a path of least resistance for electric current.

This appliance uses a cord having an equipment-grounding conductor and a grounding plug. The plug must be plugged into an appropriate outlet that is properly installed and grounded in accordance with all local codes and ordinances.

■ For a permanently connected appliance:

This appliance must be connected to a grounded metal permanent wiring system, or an equipment-grounding conductor must be run with the circuit conductors and connected to the equipment-grounding terminal or lead on the appliance.

WARNING: Improper connection of the equipment-grounding conductor can result in a risk of electric shock. Check with a qualified electrician or service representative or personnel if you are in doubt as to whether the appliance is properly grounded. Do not modify the plug on the power supply cord: if it will not fit the outlet, have a proper outlet installed by a qualified electrician.

SAVE THESE INSTRUCTIONS

Electrical Requirements – Canada Only

⚠ WARNING



Electrical Shock Hazard

**Plug into a grounded 4 prong outlet.
Failure to do so can result in death or electrical shock.**

It is your responsibility:

- To contact a qualified electrical installer.
- To be sure that the electrical connection is adequate and in conformance with the Canadian Electrical Code, C22.1-latest edition, and all local codes. A copy of the above codes standard may be obtained from: Canadian Standards Association, 178 Rexdale Blvd., Toronto, ON M9W 1R3 CANADA.
- To supply the required 4-wire, single-phase, 120/240 V, 60 Hz., AC-only electrical supply on a separate 30 amp circuit, fused on both sides of the line. A time-delay fuse or circuit breaker is recommended. Connect to an individual branch circuit.
- This appliance is equipped with a CSA International Certified Power Cord intended to be plugged into a standard 14-30R wall receptacle. The cord is 5 ft. (1.52 m) in length. Be sure wall receptacle is within reach of dryer's final location.



4-wire receptacle (14-30R)

- Do not use an extension cord. If using a replacement power supply cord, it is recommended that you use Power Supply Cord Replacement Part Number 8579325. For further information, please reference the "Assistance or Service" section of the Use and Care Guide.

GROUNDING INSTRUCTIONS

- For a grounded, cord-connected appliance: This appliance must be grounded. In the event of malfunction or breakdown, grounding will reduce the risk of electric shock by providing a path of least resistance for electric current. This appliance is equipped with a cord having an equipment-grounding conductor and a grounding plug. The plug must be plugged into an appropriate outlet that is properly installed and grounded in accordance with all local codes and ordinances.

WARNING: Improper connection of the equipment-grounding conductor can result in a risk of electric shock. Check with a qualified electrician or service representative or personnel if you are in doubt as to whether the appliance is properly grounded. Do not modify the plug provided with the appliance: if it will not fit the outlet, have a proper outlet installed by a qualified electrician.

SAVE THESE INSTRUCTIONS

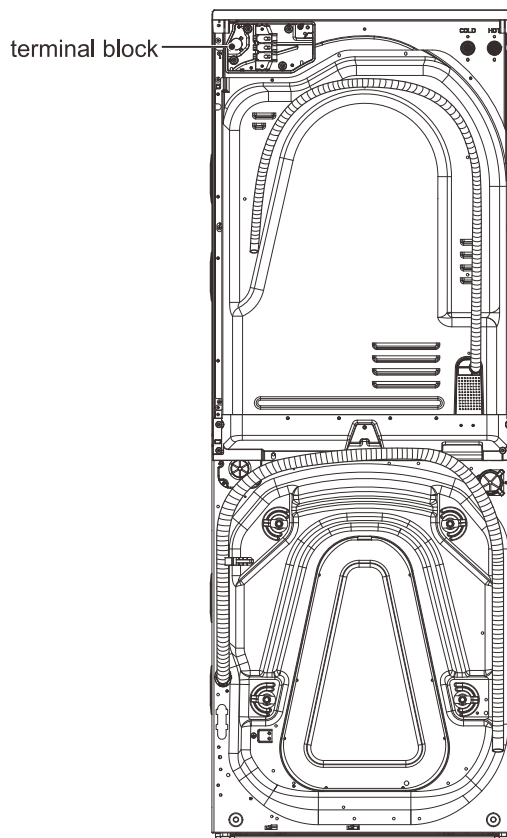
Electrical Installation – U.S.A. Only

⚠ WARNING



Fire Hazard

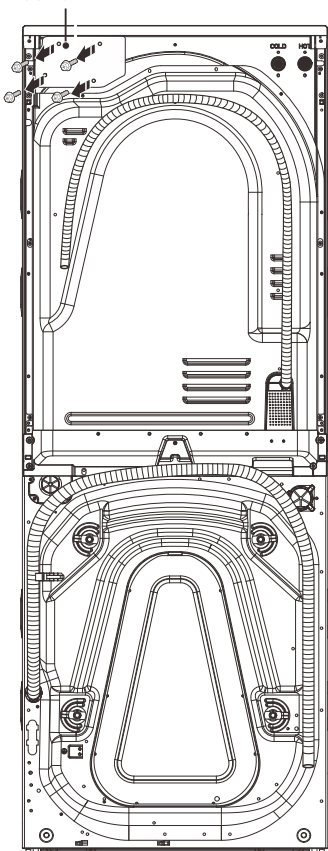
Use a new UL listed 30 amp power supply cord.
 For direct wire, use 10 gauge copper wire.
 Use a UL listed strain relief.
 Disconnect power before making electrical connections.
 Connect neutral wire (white or center wire) to center terminal. For direct wire, use 10 gauge copper wire.
 Ground wire (green or bare wire) must be connected to green ground connector.
 Connect remaining 2 supply wires to remaining 2 terminals (gold).
 Securely tighten all electrical connections.
 Failure to do so can result in death, fire, or electrical shock.



1. Disconnect power

2. Remove terminal block cover

terminal block cover



Remove screw and terminal block cover.

3. Choose electrical connection type



Power supply cord 4-wire receptacle (NEMA Type 14-30R): Refer to “4-Wire Power Supply Connection”.



Power supply cord 3-wire receptacle (NEMA Type 10-30R): Refer to “3-Wire Power Supply Connection”.



4-wire direct connection: Go to “Direct Wire Strain Relief,” then “4-Wire Direct Wire Connection”.



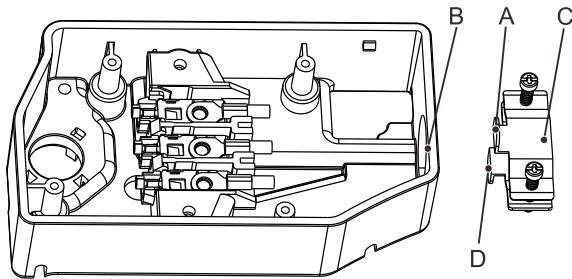
3-wire direct connection: Go to “Direct Wire Strain Relief,” then “3-Wire Direct Wire Connection”.

NOTE: If local codes do not permit connection of a cabinet-ground conductor to neutral wire, go to “Optional 3-wire Connection.” This connection may be used with either a power supply cord or a direct wire connection.

Power Supply Cord Connection

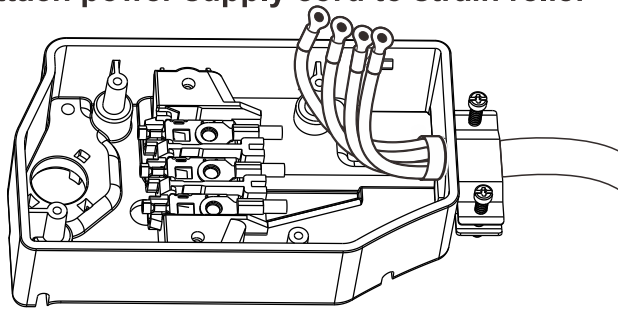
Power Supply Cord Strain Relief

1. Attach power supply cord strain relief



Remove the screws from a 3/4" (19 mm) UL-listed strain relief (UL marking on strain relief). Put the tabs of the two clamp sections (C) into the hole below the terminal block opening (B) so that one tab is pointing up (A) and the other is pointing down (D), and hold in place. Tighten strain relief screws just enough to hold the two clamp sections (C) together.

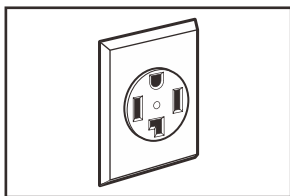
2. Attach power supply cord to strain relief



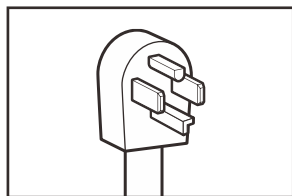
Put power supply cord through the strain relief. Be sure that the wire insulation on the power supply cord is inside the strain relief. The strain relief should have a tight fit with the dryer cabinet and be in a horizontal position. Tighten the strain relief against the power supply cord. Do not overtighten the strain relief screws.

4-Wire Power Supply Cord Connection

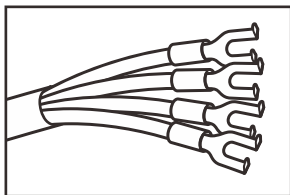
IMPORTANT: A 4-wire connection is required for mobile homes and where local codes do not permit the use of 3-wire connections.



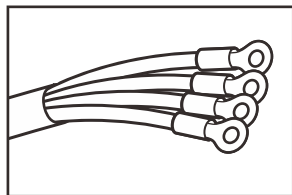
4-wire receptacle
(NEMA type 14-30R)



4 prong plug

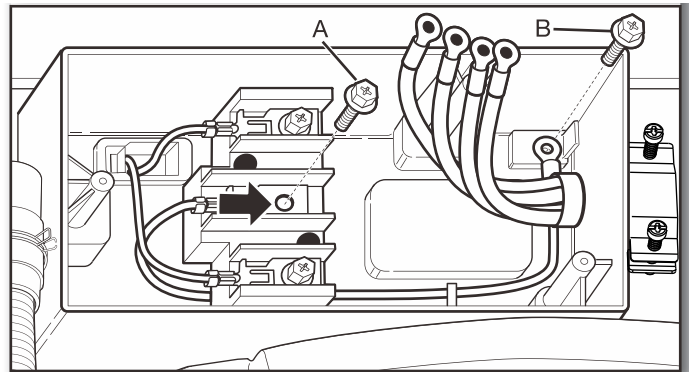


Spade terminals with
upturned ends



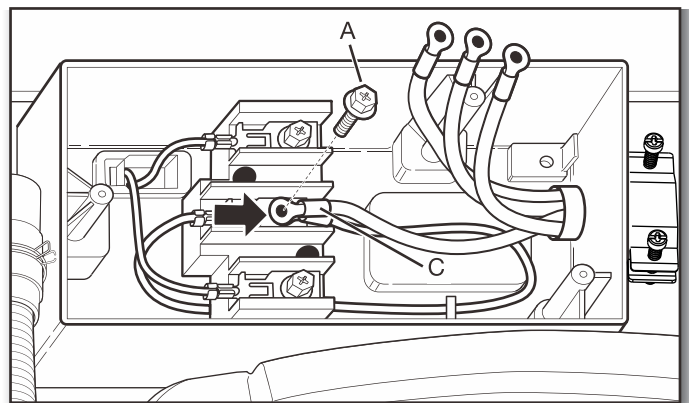
Ring terminals

3. Prepare to connect neutral wire



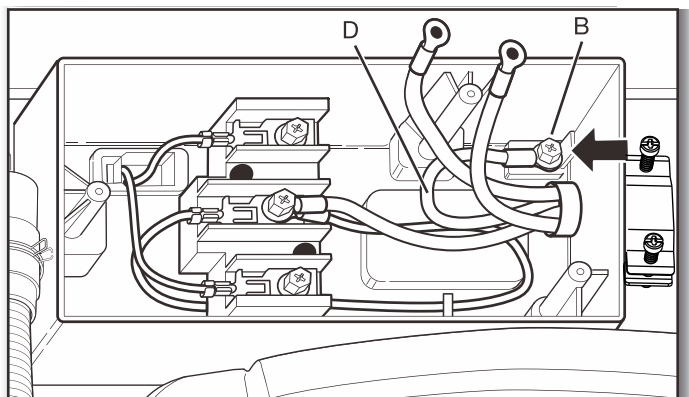
Remove center terminal block screw (A) and green external ground conductor screw (B).

4. Connect neutral wire



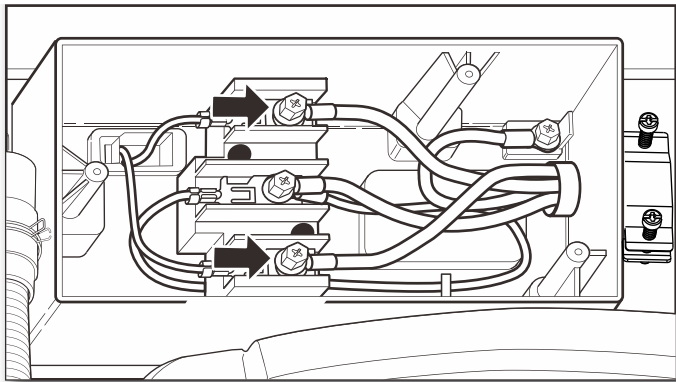
Loop white ground jumper wire back on itself and connect it and neutral wire (white or center) (C) of power supply cord under center terminal block screw (A). Tighten screw.

5. Connect ground wire



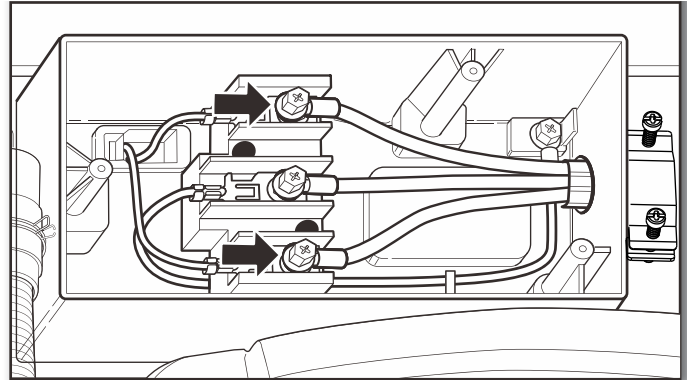
Connect ground wire (D) (green or bare) of power supply cord under green external ground conductor screw (B). Tighten screw.

6. Connect remaining wires



Connect remaining wires under outer terminal block screws. Tighten screws and also tighten strain relief screws. Finally, install terminal box cover and secure with the three screws. Now, go to "Route Drain Hose."

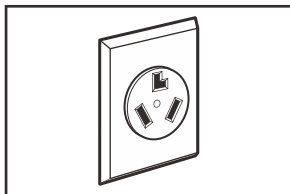
4. Connect remaining wires



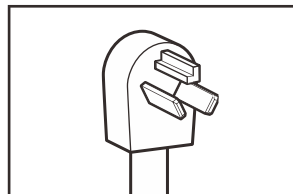
Connect remaining wires under outer terminal block screws. Tighten screws and also tighten strain relief screws. Finally, install terminal block cover and secure with the three screws. Now, go to "Route Drain Hose."

3-Wire Power Supply Connection

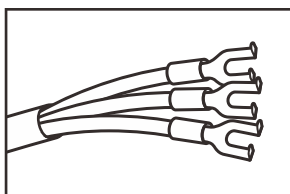
IMPORTANT: Use where local codes permit connecting cabinet-ground conductor to neutral wire.



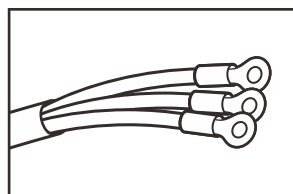
3-wire receptacle
(NEMA type 10-30R)



3 prong plug

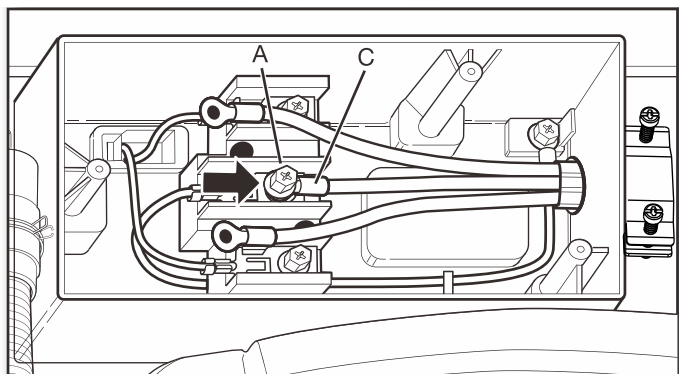


Spade terminals with
upturned ends



Ring terminals

3. Connect neutral wire

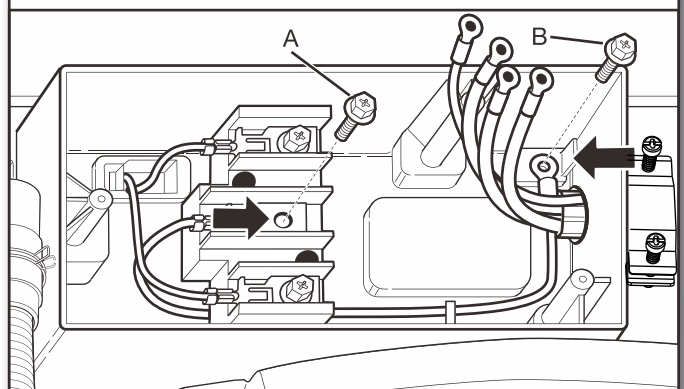


Connect neutral (center) wire (C) of power supply cord under center terminal block screw (A). Tighten screw.

Optional External Ground for 3-Wire Connection

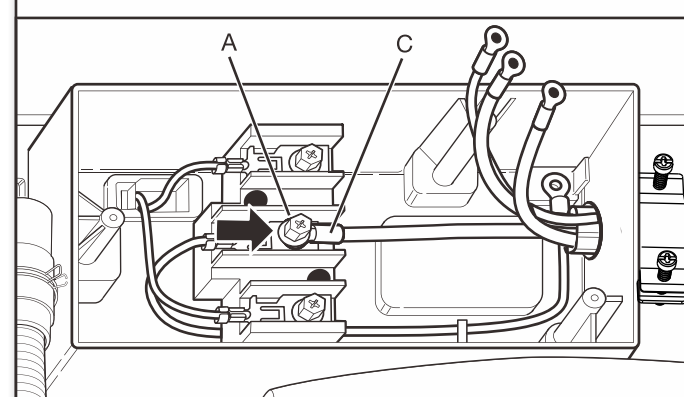
IMPORTANT: You must verify with a qualified electrician that this grounding method is acceptable before connecting.

1. Prepare to connect neutral wire



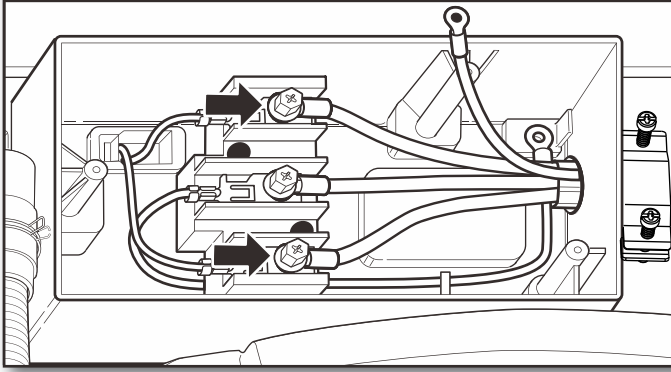
Remove center terminal block screw (A) and green external ground conductor screw (B).

2. Connect neutral wire



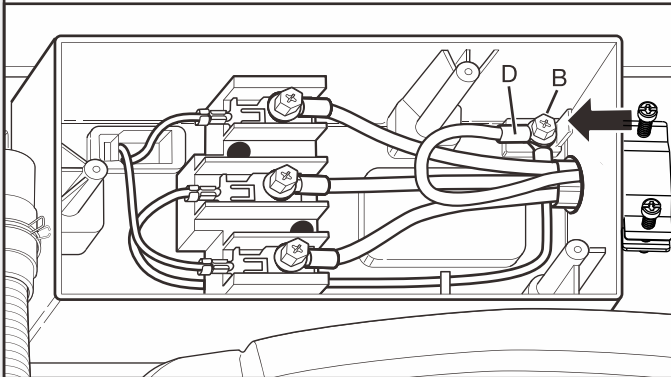
Connect neutral wire (white or center) (C) of power supply cord or cable under center terminal block screw (A). Tighten screw.

3. Connect remaining wires



Place ends of remaining wires under outer terminal block screws. Tighten screws and tighten strain relief.

4. Connect external ground wire

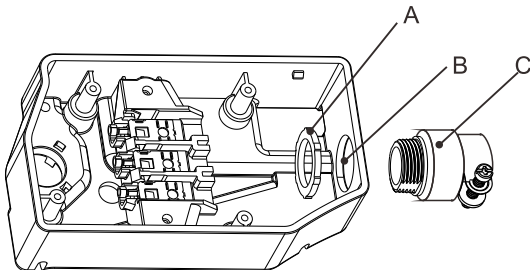


Connect a separate copper ground wire (D) under the green external ground conductor screw (B) to an adequate ground. Finally, install terminal block cover and secure with the three screws. Now, go to "Route Drain Hose."

Direct Wire Connection

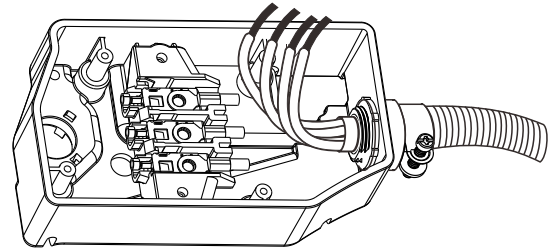
Direct Wire Strain Relief

1. Attach direct wire strain relief



Use the removable conduit connector (A) and any screws from a 3/4" (19 mm) UL-listed strain relief (UL marking on strain relief). Put the threaded section of the strain relief through the hole below the terminal block opening (B). Reaching inside the terminal block opening, screw the removable conduit connector (A) onto the strain relief threads (C) and tighten securely.

2. Attach direct wire cable to strain relief



Put direct wire cable through the strain relief. The strain relief should have a tight fit with the dryer cabinet and be in a horizontal position. Tighten strain relief screw against the direct wire cable.

For 4-wire Direct Wire Connection, continue to step 3.



4-wire direct wire connection: Go to "4-Wire Direct Wire Connection."

For 3-wire Direct Wire Connection, continue to step 3.

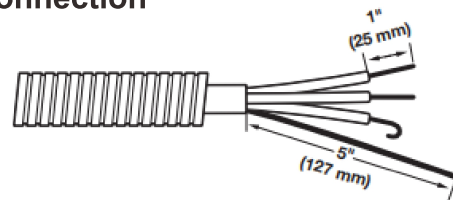


3-wire direct wire connection: Go to "3-Wire Direct Wire Connection."

4-Wire Direct Wire Connection

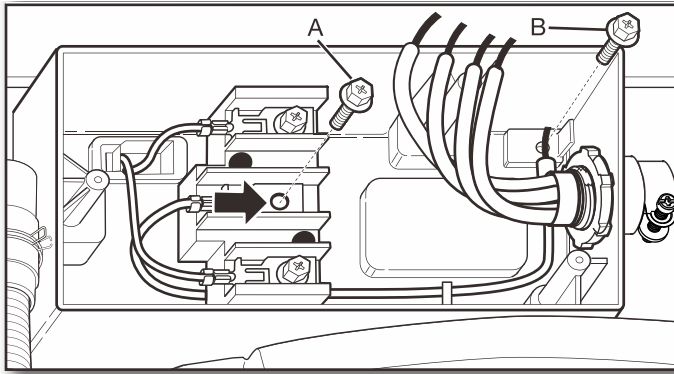
IMPORTANT: A 4-wire connection is required for mobile homes and where local codes do not permit 3-wire connections.

3. Prepare your 4-wire cable for direct connection



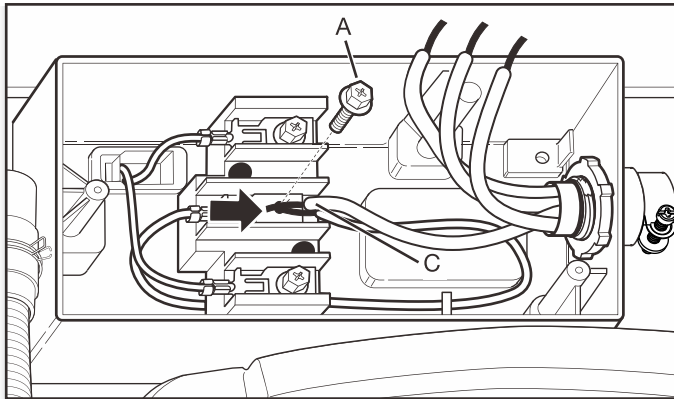
Direct wire cable must have 5 ft (1.52 m) of extra length so dryer may be moved if needed. Strip 5" (127 mm) of outer covering from end of cable, leaving bare ground wire at 5" (127 mm). Cut 1 1/2" (38 mm) from remaining 3 wires. Strip insulation back 1" (25 mm). Shape ends of wires into hooks.

4. Prepare to connect neutral wire



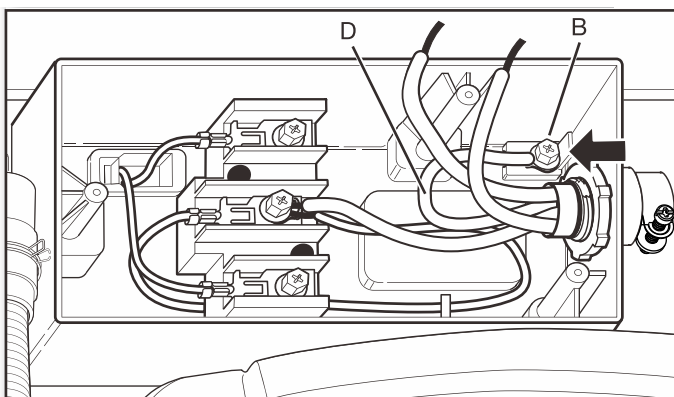
Remove center terminal block screw (A) and green external ground conductor screw (B).

5. Connect neutral wire



Loop white ground jumper wire back on itself and connect it and neutral wire (white or center) (C) of direct wire under center terminal block screw (A). Tighten screw.

6. Connect ground wire

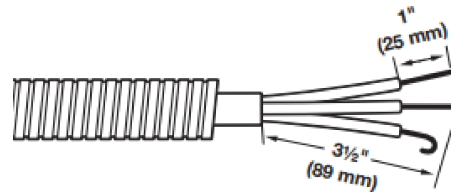


Connect ground wire (D) (green or bare) of direct wire under green external ground conductor screw (B). Tighten screw.

3-Wire Direct Wire Connection

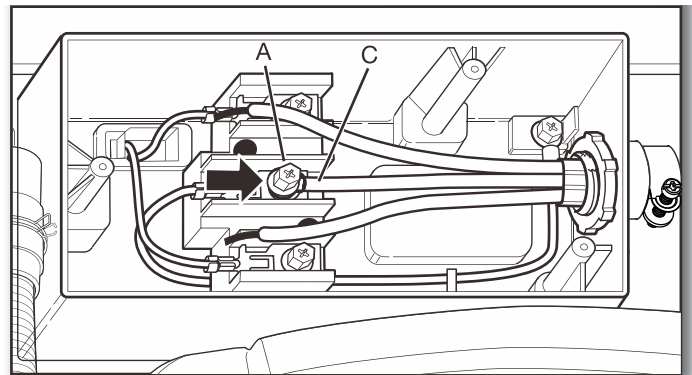
IMPORTANT: Use where local codes permit connecting cabinet-ground conductor to neutral wire.

3. Prepare your 3-wire cable for direct connection



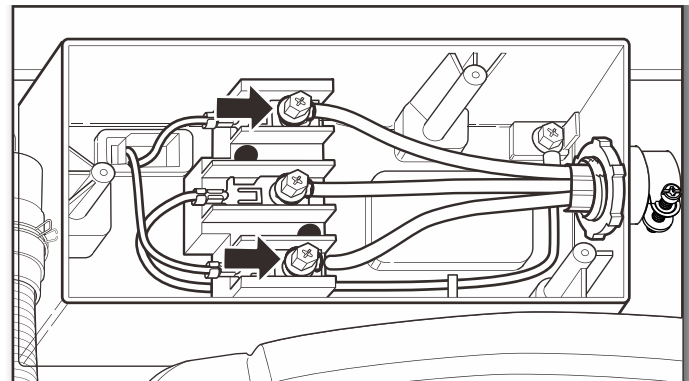
Direct wire cable must have 5 ft (1.52 m) of extra length so dryer may be moved if needed. Strip 5" (127 mm) of outer covering from end of cable, leaving bare ground wire at 5" (127 mm). Cut 1 1/2" (38 mm) from remaining 3 wires. Strip insulation back 1" (25 mm). Shape ends of wires into hooks.

4. Connect neutral wire



Connect neutral (center) wire (C) of direct wire under center terminal block screw (A). Tighten screw.

5. Connect remaining wires



Connect remaining wires under outer terminal block screws. Tighten screws and also tighten strain relief screws. Finally, install terminal block cover and secure with the three screws. Now, go to "Route Drain Hose."

Complete Installation Checklist

- Check electrical requirements. Be sure you have correct electrical supply and recommended grounding method.
- Check that **all** parts are now installed. If there is an extra part, go back through steps to see what was skipped.
- Check that you have **all** of your tools.
- Check that shipping materials were completely removed from appliance.
- Check that the appliance is **level**.
- Check that water faucets are on.
- Check for leaks around faucets and inlet hoses.
- Remove protective film from console and any tape remaining on appliance.
- For power supply cord installation, plug into a grounded outlet. For direct wire installation, turn on power.
- Dispose of/recycle **all** packaging materials.
- Read the "Care and Maintenance" section.
- To test and clean your appliance, press Power and choose the Quick cycle and run it without clothes. Use only HE detergent. Use 1/2 the manufacturer's recommended amount for a medium-size load.

Instructions de sécurité et d'installation

SÉCURITÉ DE LA TOUR DE LAVAGE

Sécurité de la laveuse

Votre sécurité et celle des autres sont très importantes.

Nous fournissons de nombreux messages importants relatifs à la sécurité dans le présent manuel et sur votre appareil. Lisez et respectez toujours tous les messages de sécurité.



Ceci est un symbole d'alerte de sécurité.

Ce symbole vous avertit des dangers potentiels qui peuvent vous tuer ou vous blesser, vous ou d'autres personnes.

Tous les messages de sécurité suivent le symbole d'alerte de sécurité et le mot « DANGER » ou « AVERTISSEMENT ». Ces termes signifient :

▲ DANGER

Vous pouvez être tué ou gravement blessé si vous ne respectez pas immédiatement les instructions.

▲ AVERTISSEMENT

Vous pouvez être tué ou gravement blessé si vous ne respectez pas les instructions.

Tous les messages de sécurité vous indiquent quel est le danger potentiel, comment réduire les risques de blessures et ce qui peut arriver si les instructions ne sont pas respectées.

INSTRUCTIONS IMPORTANTES RELATIVES À LA SÉCURITÉ

AVERTISSEMENT : Pour réduire le risque d'incendie, de choc électrique ou de blessure corporelle lors de l'utilisation de votre appareil, suivez les précautions de base, notamment celles-ci :

- Lisez toutes les instructions avant d'utiliser l'appareil.
- Ne pas laver les articles qui ont été précédemment nettoyés, lavés, imbibés ou tachés avec de l'essence, des solvants de nettoyage à sec ou d'autres substances inflammables ou explosives, car ils dégagent des vapeurs susceptibles de s'enflammer ou d'exploser.
- Ne pas ajouter d'essence, de solvants de nettoyage à sec ou d'autres substances inflammables ou explosives à l'eau de lavage. Ces substances dégagent des vapeurs qui peuvent s'enflammer ou exploser.
- Dans certaines conditions, de l'hydrogène gazeux peut être produit dans un système d'eau chaude qui n'a pas été utilisé pendant 2 semaines ou plus. LE GAZ HYDROGÈNE EST EXPLOSIF. Si le système d'eau chaude n'a pas été utilisé pendant une telle période, avant d'utiliser une laveuse, ouvrez tous les robinets d'eau chaude et laissez couler l'eau de chacun d'eux durant plusieurs minutes. Cela permet de libérer l'hydrogène accumulé. Le gaz étant inflammable, ne fumez pas et n'utilisez pas de flamme nue durant cette période.
- Risque de suffocation et de blessure par coincement : Ne laissez pas les enfants jouer sur ou dans l'appareil. Une surveillance étroite des enfants est nécessaire lorsque l'appareil est utilisé à proximité d'eux.
- Avant de mettre l'appareil hors service ou au rebut, retirez la porte.
- Ne mettez pas la main dans l'appareil si la cuve ou l'agitateur est en mouvement.
- N'installez pas et ne rangez pas cet appareil dans un endroit exposé aux intempéries.
- Ne manipulez pas les commandes.
- Ne réparez ni ne remplacez aucune pièce de l'appareil et n'entreprenez aucun entretien, sauf si cela est expressément recommandé dans les instructions d'entretien destinées à l'utilisateur ou dans des instructions de réparation publiées que vous comprenez et êtes capable d'exécuter.
- N'utilisez pas de pièces de rechange qui n'ont pas été recommandées par le fabricant (par exemple des pièces fabriquées à la maison à l'aide d'une imprimante 3D).
- Consultez les instructions d'installation pour connaître les exigences de mise à la terre et les étapes d'installation.

CONSERVEZ CES INSTRUCTIONS

AVERTISSEMENT

Certaines pièces internes ne sont intentionnellement pas mises à la terre et peuvent présenter un risque d'électrocution uniquement lors de l'entretien.

Personnel de maintenance – Ne touchez pas au verrou de porte, à la pompe de vidange ou au chauffe-eau lorsque l'appareil est sous tension.

Sécurité De La Sécheuse

Votre sécurité et celle des autres sont très importantes.

Nous fournissons de nombreux messages importants relatifs à la sécurité dans le présent manuel et sur votre appareil. Lisez et respectez toujours tous les messages de sécurité.



Ceci est un symbole d'alerte de sécurité.

Ce symbole vous avertit des dangers potentiels qui peuvent vous tuer ou vous blesser, vous ou d'autres personnes.

Tous les messages de sécurité suivent le symbole d'alerte de sécurité et le mot « DANGER » ou « AVERTISSEMENT. » Ces termes signifient :

⚠ DANGER

Vous pouvez être tué ou gravement blessé si vous ne respectez pas immédiatement les instructions.

⚠ AVERTISSEMENT

Vous pouvez être tué ou gravement blessé si vous ne respectez pas les instructions.

Tous les messages de sécurité vous indiquent quel est le danger potentiel, comment réduire les risques de blessures et ce qui peut arriver si les instructions ne sont pas respectées.



AVERTISSEMENT — « Risque d'incendie »

- L'installation de la sécheuse doit être effectuée par un installateur qualifié.
- Installez de la sécheuse conformément aux instructions du fabricant et aux réglementations locales.
- Pour réduire le risque de blessure grave ou de décès, suivez toutes les instructions d'installation.
- Conservez les présentes instructions.

Certaines pièces internes ne sont intentionnellement pas mises à la terre et peuvent présenter un risque d'électrocution uniquement lors de l'entretien.

Personnel de maintenance – Ne touchez pas au verrou de porte, à la pompe de vidange ou au compresseur lorsque l'appareil est sous tension

INSTRUCTIONS IMPORTANTES RELATIVES À LA SÉCURITÉ

AVERTISSEMENT : Pour réduire le risque d'incendie, de choc électrique ou de blessure corporelle lors de l'utilisation de votre appareil, suivez les précautions de base, notamment celles-ci :

- Lisez toutes les instructions avant d'utiliser l'appareil.
- Ne pas sécher les articles qui ont été précédemment nettoyés, lavés, imbibés ou tachés avec de l'essence, des solvants de nettoyage à sec ou d'autres substances inflammables ou explosives, car ils dégagent des vapeurs susceptibles de s'enflammer ou d'exploser.
- Risque de suffocation et de blessure par coincement : Ne laissez pas les enfants jouer sur ou dans l'appareil. Une surveillance étroite des enfants est nécessaire lorsque l'appareil est utilisé à proximité d'eux.
- Avant de mettre l'appareil hors service ou au rebut, retirez la porte du compartiment séchant.
- Ne mettez pas la main dans l'appareil si le tambour est en mouvement.
- N'installez pas et ne rangez pas cet appareil dans un endroit exposé aux intempéries.
- Ne manipulez pas les commandes.
- Ne réparez ni ne remplacez aucune pièce de l'appareil et n'entrez aucun entretien, sauf si cela est expressément recommandé dans les instructions d'entretien destinées à l'utilisateur ou dans des instructions de réparation publiées que vous comprenez et êtes capable d'exécuter.
- Ne pas utiliser de chaleur pour sécher des articles contenant de la mousse de caoutchouc ou des matériaux similaires à texture caoutchouteuse.
- Nettoyez le filtre à peluches avant ou après chaque cycle.
- Ne placez pas dans la sècheuse des articles ayant été exposés à des huiles de cuisson. Les articles contaminés par des huiles de cuisson peuvent provoquer une réaction chimique susceptible d'entraîner un incendie. Pour réduire le risque d'incendie lié à des charges contaminées, la dernière phase du cycle de séchage se déroule sans chaleur (phase de refroidissement). Évitez d'interrompre le cycle de séchage avant la fin, à moins de retirer et d'étaler tous les articles afin que la chaleur puisse se dissiper.
- N'utilisez pas de pièces de rechange qui n'ont pas été recommandées par le fabricant (par exemple des pièces fabriquées à la maison à l'aide d'une imprimante 3D).
- Consultez les instructions d'installation pour connaître les exigences de mise à la terre et les étapes d'installation.

CONSERVEZ CES INSTRUCTIONS

INSTRUCTIONS IMPORTANTES RELATIVES À LA SÉCURITÉ

LORSQUE VOUS METTEZ AU REBUT OU STOCKEZ VOTRE ANCIENNE SÈCHEUSE, RETIREZ LA PORTE.

CONSERVEZ CES INSTRUCTIONS

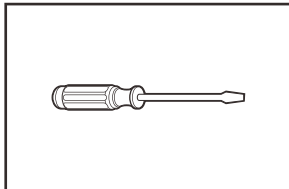
INSTRUCTIONS D'INSTALLATION

Exigences relatives à l'installation

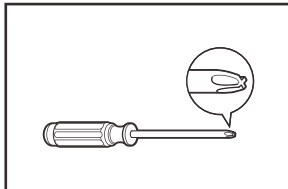
Outils et pièces

Rassemblez les outils et les pièces nécessaires avant de commencer l'installation.

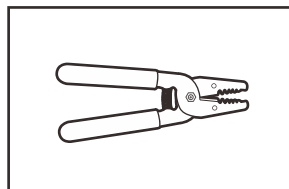
Outils nécessaires :



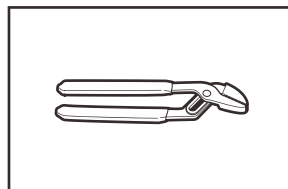
Tournevis plat



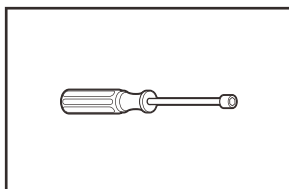
Tournevis Phillips # n°2



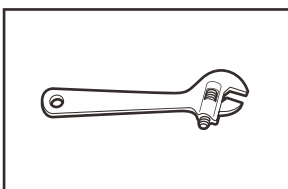
Pince à dénuder (installations à fils directs)



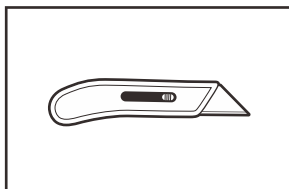
Pince multiprise



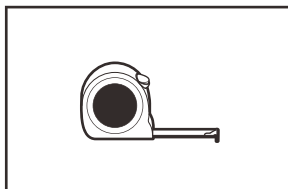
Clé à écrous de 1/4" et 5/16" (recommandé)



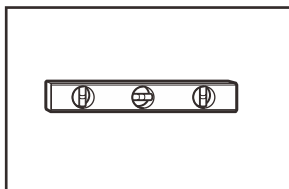
Clé à molette ouvrant jusqu'à 1" (25 mm) ou clé à douille à tête hexagonale



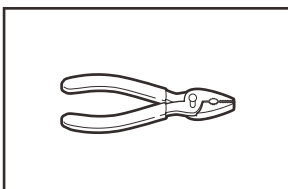
Couteau tout usage



Mètre ruban

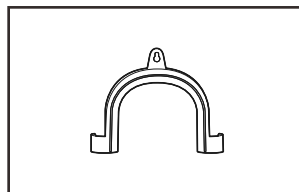


Niveau

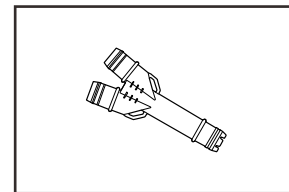


Pinces

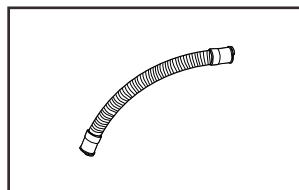
Pièces fournies :



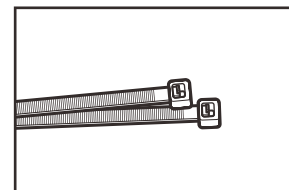
Coude en U (pour fixer le tuyau d'évacuation)



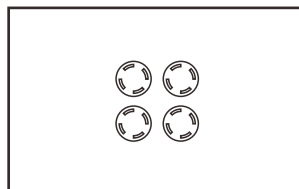
Connecteur en Y



Extension de tuyau d'évacuation



Serre-câble



Capuchons pour les trous des boulons de transport

Le sachet de pièces se trouve dans le tambour de l'appareil. Vérifiez que toutes les pièces sont incluses.

Si vous utilisez un cordon d'alimentation :

Utilisez une trousse de cordon d'alimentation homologué UL conçue pour sècheuses. La trousse doit contenir :

- Un cordon d'alimentation de 30 A homologué UL, avec une tension nominale minimale de 120/240 V. Le cordon doit être de type SRD ou SRDT et mesurer au moins 1,22 m (4 pieds). Les fils de connexion doivent se terminer par des cosses annulaires ou des cosses plates à extrémité relevée.
- Un serre-câble homologué UL.

Exigences relatives à l'emplacement

Dimensions de la tour

⚠ AVERTISSEMENT



Risque d'explosion

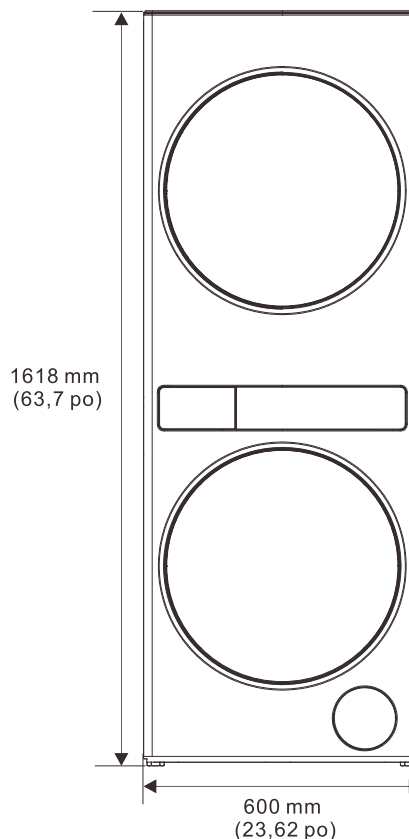
Tenir la sècheuse à l'écart des matières et vapeurs inflammables, comme l'essence. Ne jamais sécher un article qui a été en contact avec un produit inflammable (même si cet article a été lavé). Ne pas installer dans un garage. Le non-respect de cette consigne peut entraîner un décès, une explosion ou un incendie.

IMPORTANT : Ne pas installer, entreposer ou utiliser l'appareil dans un endroit exposé aux intempéries ou à des températures inférieures à 0°C (32°F). L'eau résiduelle dans l'appareil après utilisation peut causer des dommages par temps froid. Consultez la section « Entretien et maintenance » pour les instructions de hivernisation. Sélectionnez un emplacement approprié pour améliorer les performances, réduire le bruit et éviter que l'appareil ne se déplace. Installez l'appareil dans un sous-sol, une buanderie, un placard ou une niche encastrée. L'installation correcte est de votre responsabilité.

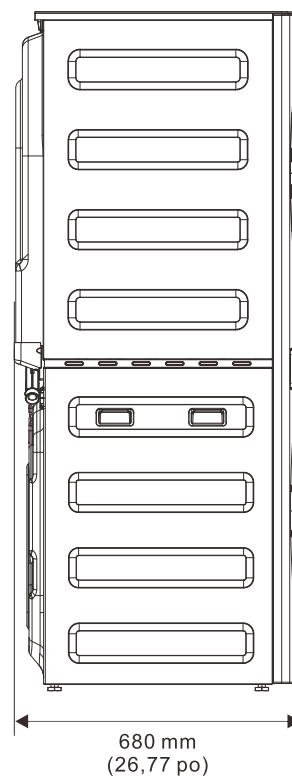
Il vous faut

- Un circuit séparé de 30 A.
- Un chauffe-eau réglé sur 49°C (120°F).
- Si vous utilisez un cordon d'alimentation, une prise de courant avec mise à la terre située à moins de 610 mm (2 pi) de chaque côté de la tour. Voir « Exigences électriques ».
- Des robinets d'eau chaude et d'eau froide situés à moins de 1,2 m (4 pieds) des vannes d'arrivée d'eau de l'appareil, avec une pression d'eau de 20 à 100 psi (137,9 à 689,6 kPa).
- Un sol de niveau, avec une pente maximale de 25 mm (1 po) sous l'ensemble de l'appareil. L'installation sur moquette ou surface avec sous-couche en mousse est déconseillée.
- Le sol doit pouvoir supporter le poids total de la laveuse (eau et linge inclus), soit 186 kg (409 lb).
- La tour ne doit pas être installée ou entreposée dans un endroit où elle sera exposée à l'eau et/ou aux intempéries.

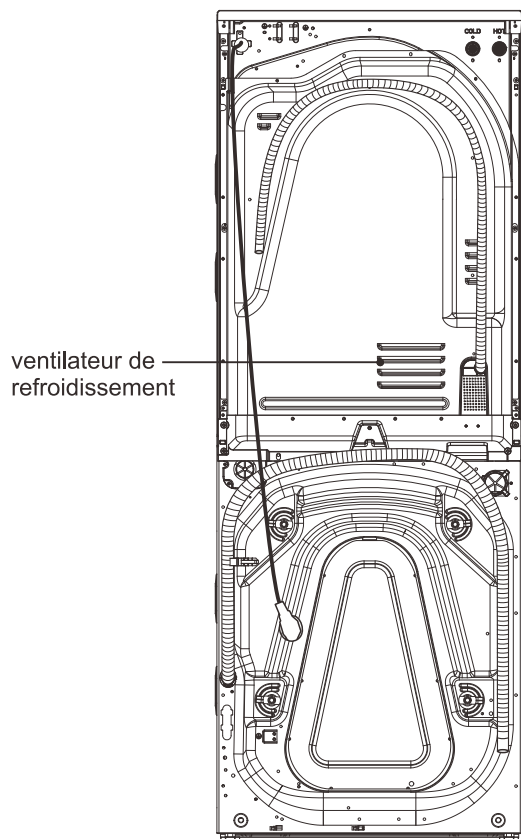
Toutes les dimensions indiquent les espacements minimaux requis. Prévoyez davantage d'espace pour faciliter l'installation, l'entretien, l'ajout d'appareils complémentaires et les dégagements pour les murs, portes et plinthes. L'espace doit permettre l'ouverture complète de la porte. Ajoutez un espace de 25 mm (1 po) sur tous les côtés de la laveuse pour réduire la transmission du bruit. Les portes doivent être à persiennes ou l'équivalent et présenter une surface ouverte d'au moins 155 cm² (24 po²) en bas et 310 cm² (48 po²) en haut.



Vue latérale :



Vue arrière :



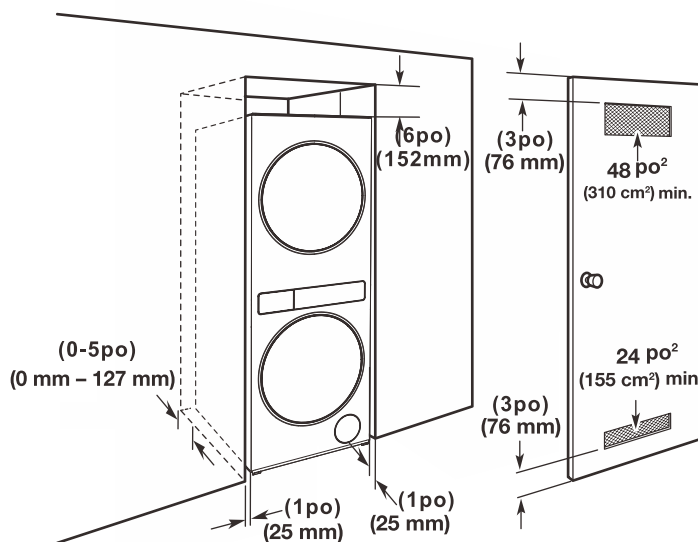
IMPORTANT : Ne pas obstruer le ventilateur de refroidissement, sous peine de dysfonctionnement de l'appareil.

Espacement de l'installation en niche ou placard :

Toutes les dimensions indiquent les espacements recommandés et minimaux requis.

- Un dégagement supplémentaire doit être envisagé pour faciliter l'installation et l'entretien.
- Des dégagements additionnels peuvent être nécessaires pour les murs, les portes, le sol, les plinthes et le système d'évacuation.
- Un espace supplémentaire doit être prévu sur tous les côtés de l'appareil afin de réduire la transmission du bruit.
- Pour une installation dans un placard avec porte, des ouvertures de ventilation minimales sont requises en haut et en bas de la porte. Les portes à persiennes avec des ouvertures de ventilation équivalentes sont acceptables.
- L'espacement avec un appareil proche doit également être pris en compte.

Dégagements recommandés pour l'installation (appareil seul) :



Maison mobile – Exigences d'installation additionnelles :

Cette tour est adaptée aux installations en maisons mobiles. L'installation doit être conforme à la norme sur la construction et la sécurité des maisons préfabriquées (Manufactured Home Construction and Safety Standards), Titre 24 CFR, Partie 3280 (anciennement Norme fédérale pour la construction et la sécurité des maisons mobiles, Titre 24, HUD Partie 280) ou à la norme CAN/CSA-Z240 MH.

Installation

1. Déballage

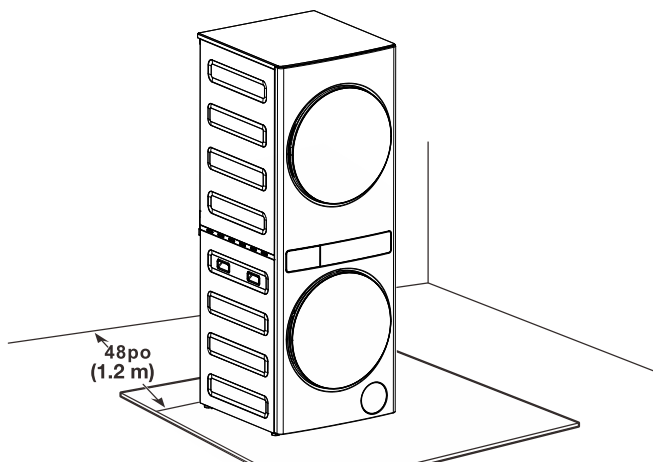
⚠ AVERTISSEMENT

Risque lié au poids excessif

Utilisez deux personnes ou plus afin de déplacer et d'installer ou de désinstaller l'appareil.

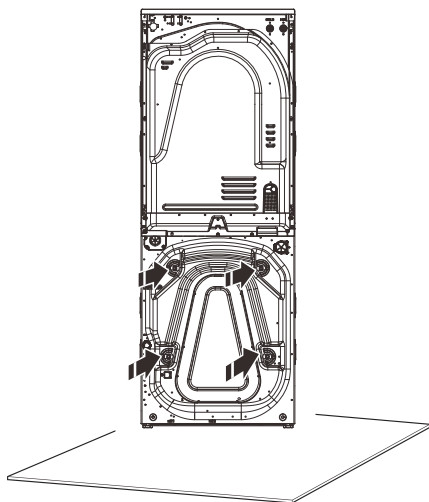
Le non-respect de ceci peut entraîner des blessures ou dos ou autres.

2. Déplacement de l'appareil

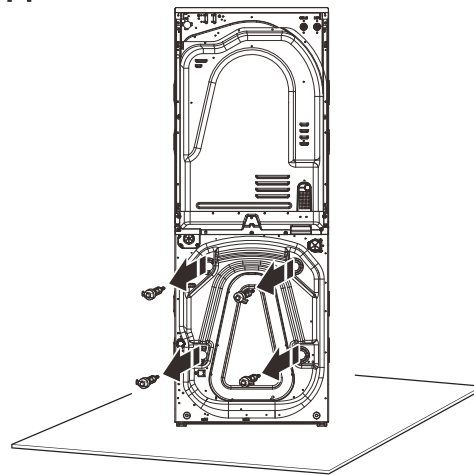


Pour un fonctionnement optimal et afin d'éviter un bruit excessif, il est nécessaire de retirer tous les matériaux d'emballage, y compris le support en polystyrène situé sous la machine à laver. Déplacez l'appareil à moins de 1,2 m (4 pieds) de son emplacement final à l'aide d'un chariot de manutention large, et non d'un diable étroit, afin de ne pas endommager la pompe de vidange située à l'intérieur de l'ouverture du fond. L'appareil doit être en position verticale.

3. Repérer les boulons de transport



4. Retirer les boulons de transport de l'appareil



Desserrez les boulons à l'aide d'une clé de 12 mm (15/32 po)
Faites glisser chaque boulon et entretoise vers le centre du trou Retirez les boulons et les entretoises en plastique de l'arrière de l'appareil Jetez les boulons et les entretoises.

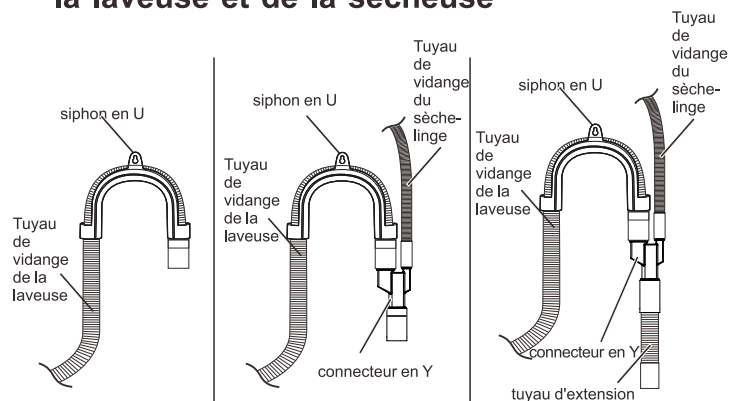
IMPORTANT : Ne pas brancher l'appareil avant que l'installation soit terminée.

Connexion du tuyau d'évacuation

Le système d'évacuation peut être installé à l'aide d'un siphon de sol, d'un tuyau vertical mural, d'un tuyau vertical au sol ou d'une cuvette de buanderie. Sélectionnez la méthode dont vous avez besoin.

IMPORTANT : Pour éviter le siphonnage, seuls 114 mm (4,5 po) du tuyau de vidange doivent être insérés dans le tuyau vertical. Fixez toujours le tuyau d'évacuation à l'aide d'un serre-câble. Il est de la responsabilité de l'installateur d'installer et de sécuriser le tuyau d'évacuation dans la plomberie fournie, de manière à éviter tout risque de fuite ou de déconnexion.

5. Installer le coude en U, le connecteur en Y et le tuyau d'extension sur le tuyau de la laveuse et de la sécheuse



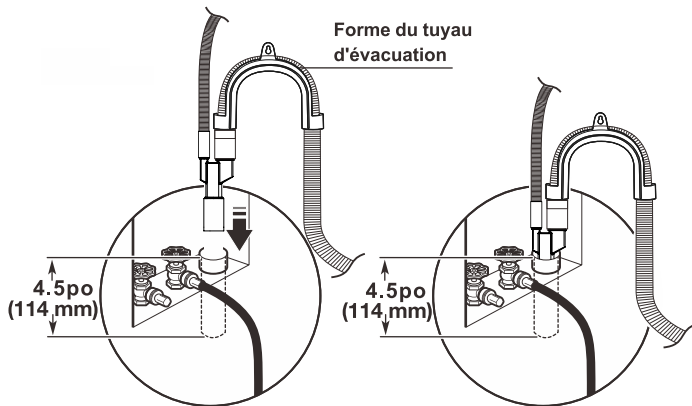
Installer un coude en U sur le tuyau de vidange de la laveuse

Installer le raccord en Y sur le tuyau de vidange de la laveuse et de la sécheuse

Installez le tuyau d'extension au raccord en Y uniquement si le tuyau d'évacuation est trop petit pour s'adapter au raccord en Y

Repérez les quatre boulons de transport à l'arrière de l'appareil.

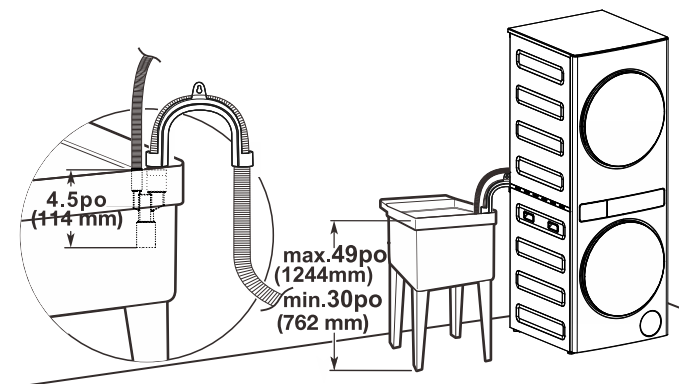
6. Système de drainage par tuyau mural



Placez le tuyau dans le tube de support (comme illustré sur la photo) ; le coude en U doit être utilisé. Ne pas utiliser le petit tuyau d'extension pour ce montage, sauf si le drain est inférieur à 2" (51 mm).

IMPORTANT : 4,5" (114 mm) du tuyau de drainage doivent être à l'intérieur du tuyau de soutien ; ne forcez pas de tuyau excédentaire dans celui-ci.

8. Système de drainage de la cuve à linge

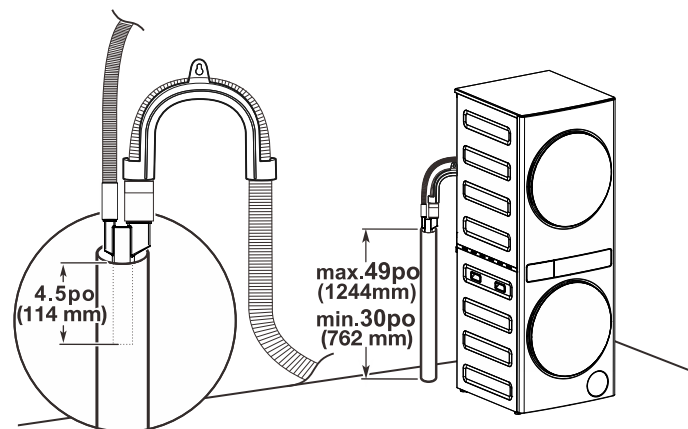


Placez l'tuyau sur le côté du bac à linge. L'encoche en U doit être utilisée. Ne pas utiliser le petit tuyau d'extension pour cette configuration.

Capacité minimale : 76 litres (20 gal). Le haut de la cuvette de buanderie doit être à au moins 762 mm (30po) du sol ; ne pas installer à plus de 1244 mm (49po) de la base de l'appareil.

IMPORTANT : Seulement 114 mm (4,5po) du tuyau de vidange doivent reposer sur le bord de la cuvette Ne pas poser le tuyau au fond de la cuvette.

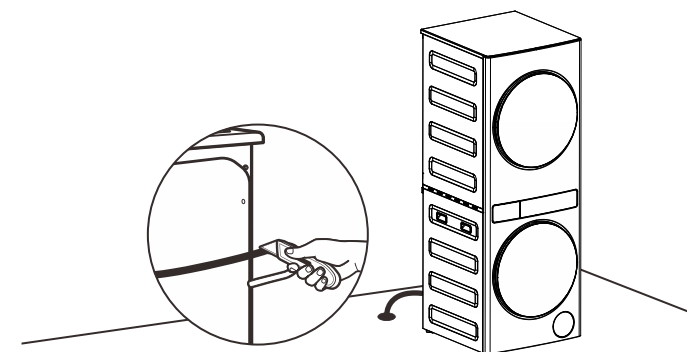
7. Système d'évacuation avec tuyau vertical au sol



N'utilisez pas le petit tuyau d'extension pour cette configuration. Diamètre minimal d'un tuyau d'évacuation au sol : 51 mm (2po) Capacité minimale d'évacuation : 64 litres (17 gal) par minute. Une trousse d'adaptation pour tuyau vertical est disponible diamètre de 6 mm à 25 mm (1/4po vers 1po) Le haut du tuyau vertical doit être à au moins 762 mm (30po) de hauteur, et ne pas dépasser 1244 mm (49po) depuis la base de l'appareil.

IMPORTANT : Seulement 114 mm (4,5po) du tuyau doivent être insérés dans le tuyau vertical ; Ne pas forcer un excès de tuyau dans le tuyau vertical

9. Système d'évacuation avec siphon au sol



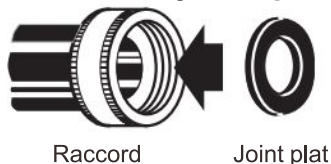
Retirez le coude en U à l'extrémité du tuyau d'évacuation en coupant le tuyau à cet endroit, comme illustré sur l'image ci-dessus.

REMARQUE : Coupez le tuyau de manière à ce que pas plus de 114 mm (4,5po) soient insérés dans le siphon au sol, afin d'éviter le siphonnage.

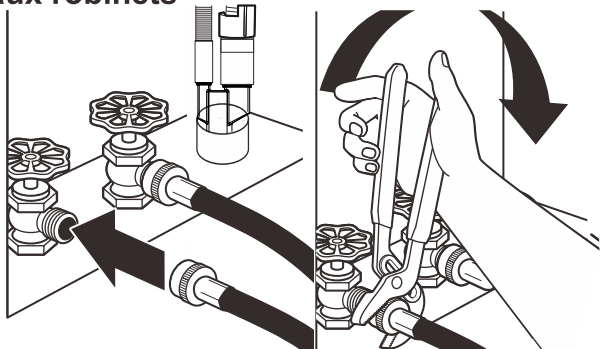
Connexion des tuyaux d'arrivée d'eau

IMPORTANT : Pour éviter les fuites, vérifiez que vos tuyaux d'arrivée d'eau sont munis de joints plats à chaque extrémité. La laveuse doit être raccordée aux robinets d'eau avec des tuyaux neufs munis de joints plats (non fournis). Ne pas utiliser de tuyaux anciens. Ne pas utiliser de tuyaux sans joints.

10. Insérer les nouveaux joints plats



11. Raccorder les tuyaux d'arrivée d'eau aux robinets



IMPORTANT : Ne pas trop serrer ni utiliser de ruban ou de produit d'étanchéité sur les vannes lors du raccordement aux robinets ou à la laveuse. Cela pourrait endommager les composants.

Fixez le tuyau marqué « chaud » au robinet d'eau chaude. Vissez le raccord à la main jusqu'à ce qu'il soit bien en place sur le joint plat. Utilisez une pince réglable pour serrer le raccord de deux tiers de tour supplémentaires. Répétez cette étape avec le tuyau marqué « froid » pour le robinet d'eau froide. Les deux tuyaux doivent être raccordés pour que la laveuse fonctionne correctement.

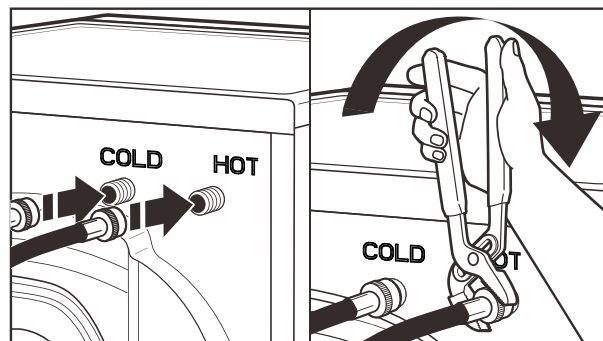
ASTUCE UTILE : Notez quel tuyau est raccordé à l'eau chaude pour faciliter le raccordement correct à la laveuse. Dans la plupart des configurations standards, les tuyaux se croisent lorsqu'ils sont correctement installés.

12. Purger les conduites d'eau



Faites couler l'eau pendant quelques secondes dans les tuyaux dans une cuvette de buanderie, un tuyau de vidange ou un seau pour éviter les obstructions. L'eau doit couler jusqu'à devenir claire.

13. Raccorder les tuyaux d'arrivée d'eau à la tour

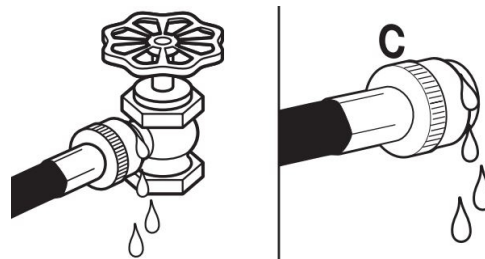


IMPORTANT : Pour réduire le risque de défaillance des tuyaux, remplacez les tuyaux tous les 5 ans. Notez les dates d'installation ou de remplacement des tuyaux pour référence ultérieure.

- Ne pas trop serrer les tuyaux ni utiliser de ruban ou de produit d'étanchéité sur la vanne. Cela peut endommager les vannes.
- Inspectez régulièrement les tuyaux et remplacez-les s'ils présentent des gonflements, des plis, des coupures, de l'usure ou des fuites.

Fixer le tuyau d'eau chaude à la vanne d'entrée d'eau chaude. Visser le raccord à la main jusqu'à ce qu'il soit bien ajusté. Utilisez une pince réglable pour serrer le raccord de deux tiers de tour supplémentaires. Répétez l'opération avec la vanne d'arrivée d'eau froide.

14. Vérifier les fuites



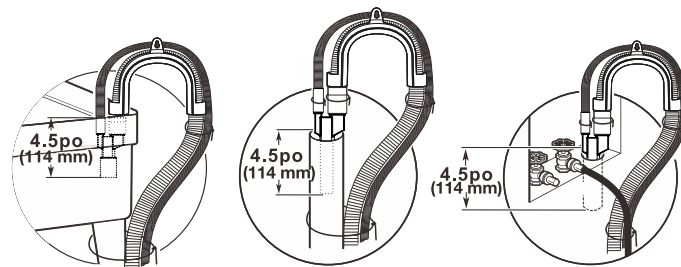
Ouvrez lentement les robinets pour vérifier l'absence de fuites. Une petite quantité d'eau peut entrer dans la laveuse. Elle sera évacuée plus tard.

15. Fixer le tuyau d'évacuation

Baignoire à linge

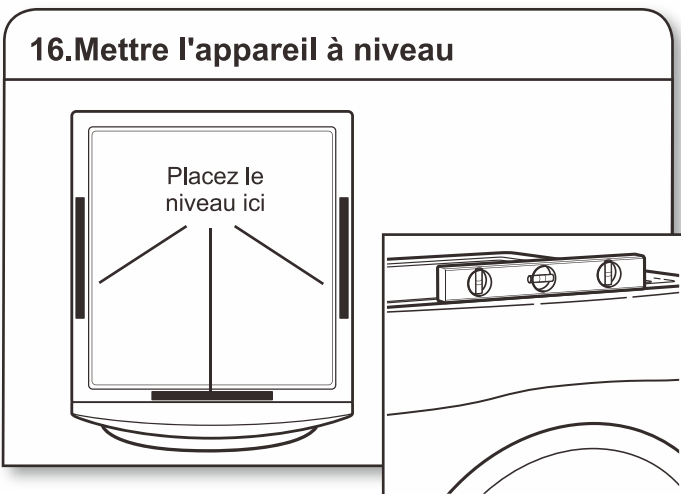
Tuyau d'arrêt

Mur



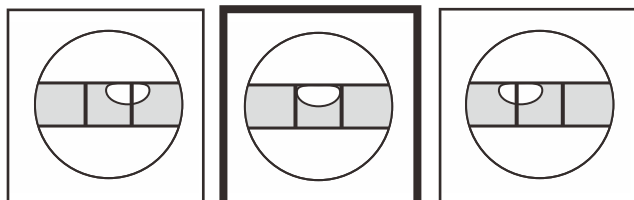
Fixez le tuyau de vidange à un pied de cuvette de buanderie, à un tuyau de vidange vertical ou aux tuyaux d'arrivée d'eau pour un tuyau mural à l'aide d'un serre-câble ou d'une sangle à billes. Il est de la responsabilité de l'installateur d'installer et de sécuriser le tuyau d'évacuation dans la plomberie fournie, de manière à éviter tout risque de fuite ou de déconnexion.

Mettre la tour à niveau



Vérifier la mise à niveau de l'appareil d'un côté à l'autre. Répétez l'opération de l'avant vers l'arrière.

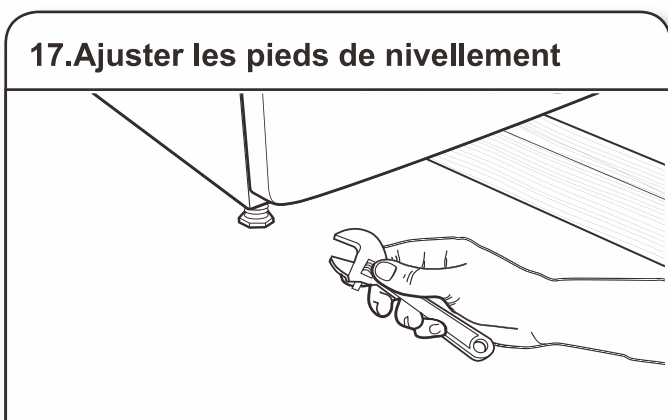
REMARQUE : L'appareil doit être mis à niveau pour que le système de détection d'humidité fonctionne correctement. Si la pente vers l'avant de l'appareil dépasse 25 mm (1"), de l'eau peut s'écouler par l'avant du filtre.



Pas à niveau

À niveau

Pas à niveau



17. Ajuster les pieds de nivellement

Si l'appareil n'est pas à niveau, soulevez-le à l'aide d'un bloc de bois, utilisez une clé pour ajuster les pieds vers le haut ou vers le bas, puis vérifiez à nouveau le niveau. Une fois l'appareil à niveau, assurez-vous que les quatre pieds sont bien en contact avec le sol et que l'appareil ne bouge pas.

Exigences électriques – É.-U. uniquement

Il est de votre responsabilité de :

- Contacter un installateur électrique qualifié.
- S'assurer que le raccordement électrique est adéquat et conforme au *National Electrical Code, ANSI/NFPA 70* – dernière édition, ainsi qu'à tous les codes et règlements locaux. Le *National Electrical Code* exige un raccordement électrique à 4 fils pour les habitations construites après 1996, les circuits de tours modifiés après 1996, et toutes les installations dans les maisons mobiles. Une copie des normes mentionnées ci-dessus peut être obtenue auprès de : National Fire Protection Association, One Battery March Park, Quincy, MA 02269.
- Fournir l'alimentation électrique requise en 3 ou 4 fils, monophasée, 120/240 V, 60 Hz, courant alternatif uniquement (ou alimentation électrique 3 ou 4 fils, 120/208 V, si spécifié sur la plaque signalétique), sur un circuit séparé de 30 A, avec fusibles sur les deux lignes. Raccorder à une dérivation de circuit individuelle. Ne pas installer de fusible sur le circuit de neutre ou de mise à la terre.
- Ne pas utiliser de rallonge.
- Si les codes le permettent et qu'un fil de terre séparé est utilisé, il est recommandé qu'un électricien qualifié vérifie que le chemin de mise à la terre est adéquat.

Raccordement électrique

Pour installer correctement votre appareil, vous devez déterminer le type de raccordement électrique que vous utiliserez et suivre les instructions correspondantes ci-dessous.

- Cet appareil est fabriqué prêt à être installé avec un raccordement électrique à 3 fils. Le conducteur de mise à la terre neutre est connecté de façon permanente au conducteur neutre (fil blanc) à l'intérieur de l'appareil. Si l'appareil est installé avec un raccordement électrique à 4 fils, le conducteur de mise à la terre neutre doit être retiré du connecteur de mise à la terre externe (vis verte), et fixé sous la borne neutre (fil central ou blanc) du bornier. Lorsque le conducteur de mise à la terre neutre est fixé sous la borne neutre (fil central ou blanc) du bornier, le châssis de l'appareil est isolé du conducteur neutre. Le fil de terre vert du cordon d'alimentation à 4 fils doit être fixé au châssis de l'appareil avec la vis verte de mise à la terre.
- Si les codes locaux ne permettent pas la connexion d'un fil de mise à la terre neutre au fil neutre, voir la section « Mise à la terre externe optionnelle pour raccordement à 3 fils ».
- Un raccordement électrique à 4 fils doit être utilisé lorsque l'appareil est installé dans un endroit où la mise à la terre par le conducteur neutre est interdite. La mise à la terre par le neutre est interdite pour : (1) les nouvelles installations de circuits dérivés après 1996, (2) les maisons mobiles, (3) les véhicules récréatifs, et (4) les zones où les codes locaux interdisent la mise à la terre par les conducteurs neutres.

Si vous utilisez un cordon d'alimentation :

- Utilisez une trousse de cordon d'alimentation homologuée UL conçue pour les sècheuses. La trousse doit contenir :
- Un cordon d'alimentation de 30 A homologué UL, avec une tension nominale minimale de 120/240 V. Le cordon doit être de type SRD ou SRDT et mesurer au moins 1,22 m (4 pieds). Les fils de connexion côté appareil doivent se terminer par des cosses annulaires ou des cosses plates à extrémité relevée.
 - Un serre-câble homologué UL.

Si votre prise ressemble à ceci :



Prise à 4 fils
(14-30R)

Choisir un cordon d'alimentation à 4 fils avec cosse annulaire ou fourches et serre-câble homologué UL. Le cordon d'alimentation à 4 fils, d'au moins 1,22 m (4 pi), doit comporter quatre fils de cuivre de calibre 10 et correspondre à une prise à 4 fils de type NEMA 14-30R. Le fil de terre (conducteur de mise à la terre) peut être vert ou nu. Le conducteur neutre doit être identifié par une gaine blanche.



Prise à 3 fils
(10-30R)

Choisir un cordon d'alimentation à 3 fils avec cosse annulaire ou fourches et serre-câble homologué UL. Le cordon d'alimentation à 3 fils, d'au moins 1,22 m (4 pi), doit comporter trois fils de cuivre de calibre 10 et correspondre à une prise à 3 fils de type NEMA 10-30R.

Si le raccordement est effectué par câblage direct :

Le câble d'alimentation doit correspondre à l'alimentation (4 fils ou 3 fils) et être :

- Un câble blindé flexible ou un câble de cuivre gainé non métallique (avec fil de terre), recouvert d'une gaine métallique flexible. Tous les fils conducteurs de courant doivent être isolés.
- Fil de cuivre massif de calibre 10 (ne pas utiliser d'aluminium), d'au moins 1,52 m (5 pi).

INSTRUCTIONS DE MISE À LA TERRE

- **Pour un appareil avec cordon d'alimentation et mise à la terre :** Cet appareil doit être mis à la terre. En cas de dysfonctionnement ou de panne, la mise à la terre réduit le risque de choc électrique en fournissant un chemin de moindre résistance pour le courant électrique. Cet appareil utilise un cordon doté d'un conducteur de mise à la terre et d'une fiche de mise à la terre. La fiche doit être branchée dans une prise appropriée, correctement installée et mise à la terre conformément à tous les codes et règlements locaux.
- **Pour un appareil raccordé de façon permanente :** Cet appareil doit être raccordé à un système de câblage métallique permanent mis à la terre, ou un conducteur de mise à la terre doit être acheminé avec les conducteurs du circuit et connecté à la borne ou au fil de mise à la terre de l'appareil.

AVERTISSEMENT : un raccordement incorrect du conducteur de mise à la terre peut entraîner un risque de choc électrique. Consultez un électricien qualifié ou un technicien de maintenance si vous avez un doute sur la mise à la terre correcte de l'appareil. Ne modifiez pas la fiche du cordon d'alimentation : si elle ne s'adapte pas à la prise, faites installer une prise appropriée par un électricien qualifié.

CONSERVEZ CES INSTRUCTIONS

Exigences électriques – Canada seulement

⚠ AVERTISSEMENT



Risque de choc électrique

**Branchez sur une prise à 4 broches reliée à la terre.
 Dans le cas contraire, il y a un risque de mort ou de choc électrique.**

Il est de votre responsabilité de :

- Contacter un installateur électrique qualifié.
- S'assurer que le raccordement électrique est adéquat et conforme au Code canadien de l'électricité, C22.1 – dernière édition, ainsi qu'à tous les codes et règlements locaux. Une copie des normes mentionnées ci-dessus peut être obtenue auprès de : Canadian Standards Association, 178 Rexdale Blvd., Toronto, ON M9W 1R3 CANADA.
- Fournir l'alimentation électrique requise à 4 fils, monophasée, 120/240 V, 60 Hz, courant alternatif uniquement, sur un circuit séparé de 30 ampères, avec fusibles sur les deux lignes. Un fusible temporisé ou un disjoncteur est recommandé. Raccorder à une dérivation de circuit individuelle.
- Cet appareil est équipé d'un cordon d'alimentation certifié CSA International, conçu pour être branché sur une prise murale standard de type 14-30R. Le cordon mesure 1,52 m (5 pieds) de long. Assurez-vous que la prise de courant est accessible depuis l'emplacement final de la sècheuse.



Prise à 4 fils (14-30R)

- Ne pas utiliser de rallonge.
Si vous utilisez un cordon d'alimentation de remplacement, il est recommandé d'utiliser la pièce de rechange numéro 8579325.
Pour plus d'informations, veuillez consulter la section « Assistance ou service » du Guide d'utilisation et d'entretien.

INSTRUCTIONS DE MISE À LA TERRE

- **Pour un appareil avec cordon d'alimentation et mise à la terre :** Cet appareil doit être mis à la terre. En cas de dysfonctionnement ou de panne, la mise à la terre réduit le risque de choc électrique en fournissant un chemin de moindre résistance au courant électrique. Cet appareil est équipé d'un cordon comportant un conducteur de mise à la terre et une fiche de mise à la terre. La fiche doit être branchée dans une prise appropriée, correctement installée et mise à la terre conformément à tous les codes et règlements locaux.

AVERTISSEMENT : Un raccordement incorrect du conducteur de mise à la terre de l'équipement peut entraîner un risque de choc électrique. Consultez un électricien qualifié ou un technicien de maintenance si vous avez un doute sur la mise à la terre correcte de l'appareil. Ne modifiez pas la fiche fournie avec l'appareil : si elle ne s'adapte pas à la prise de courant, faites installer une prise appropriée par un électricien qualifié.

CONSERVEZ CES INSTRUCTIONS

Installation électrique – É.-U. uniquement

⚠ AVERTISSEMENT



Risque d'incendie

Utilisez un cordon d'alimentation neuf homologué UL de 30 ampères.

Pour un branchement direct, utilisez un fil de cuivre de calibre 10.

Utiliser un serre-câble homologué UL.

Coupez l'alimentation avant d'effectuer les branchements électriques.

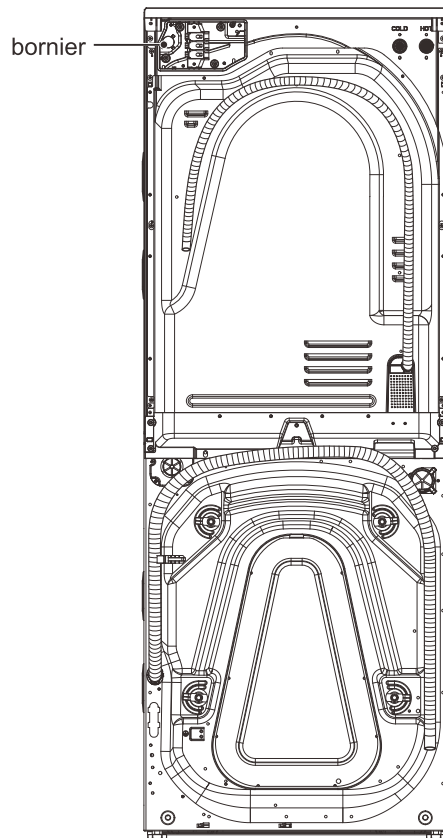
Connectez le fil neutre (blanc ou fil central) à la borne centrale. Pour un branchement direct, utilisez un fil de cuivre de calibre 10.

Le fil de mise à la terre (vert ou dénudé) doit être connecté au connecteur de mise à la terre vert.

Connectez les deux fils d'alimentation restants aux deux bornes restantes (dorées).

Serrez fermement toutes les connexions électriques.

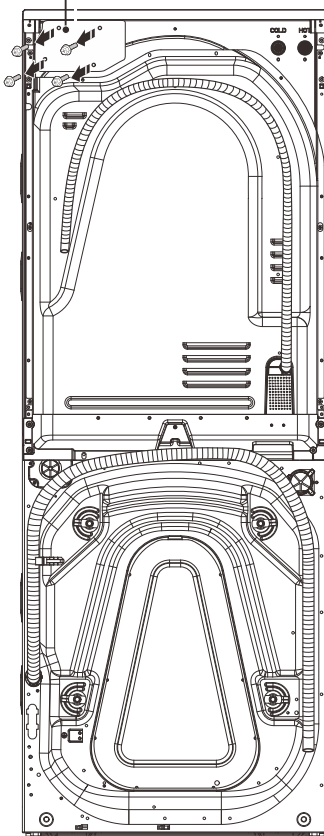
Le non-respect de ceci peut entraîner la mort ou un choc électrique.



1. Couper l'alimentation

2. Retirer le couvercle du bornier

couvercle du bornier



3. Choisir le type de connexion électrique



Cordon d'alimentation – Prise à 4 fils (NEMA Type 14-30R) : Reportez-vous à « Connexion d'alimentation à 4 fils ».



Cordon d'alimentation – Prise à 3 fils (NEMA Type 10-30R) : Reportez-vous à « Connexion d'alimentation à 3 fils ».



Connexion directe à 4 fils : Accédez à « Connexion filaire directe », puis à « Connexion directe à 4 fils ».



Connexion directe à 3 fils : Accédez à « Connexion filaire directe », puis à « Connexion directe à 3 fils ».

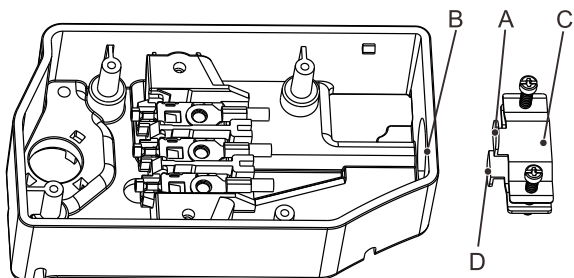
REMARQUE : Si les codes locaux n'autorisent pas la connexion du conducteur de mise à la terre du boîtier au fil neutre, consultez la section « Connexion optionnelle à 3 fils ». Cette connexion peut être utilisée avec un cordon d'alimentation ou une connexion directe.

Retirez la vis de maintien et le couvercle du bornier.

Connexion du cordon d'alimentation

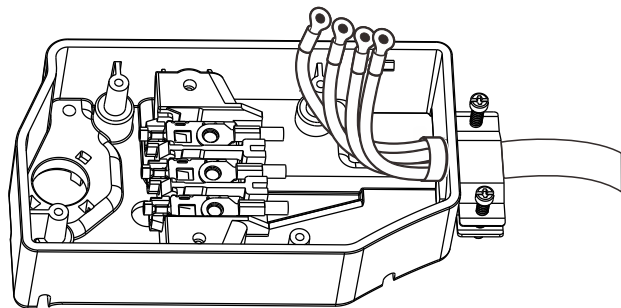
Serre-câble du cordon d'alimentation

1. Fixer le serre-câble du cordon d'alimentation



Retirer les vis d'un serre-câbles homologué UL de 3/4 po (19 mm) UL (inscription UL sur le serre-câbles). Placer les languettes des deux moitiés de pince (C) dans le trou sous l'ouverture du bornier (B), de sorte qu'une d'entre elles pointe vers le haut (A) et l'autre vers le bas (D). Maintenir en place. Serrer les vis du serre-câbles juste assez pour maintenir ensemble les deux moitiés de pince (C).

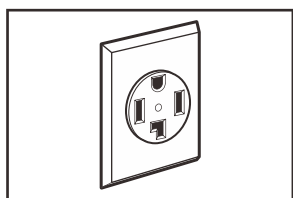
2. Fixer le cordon d'alimentation au serre-câble



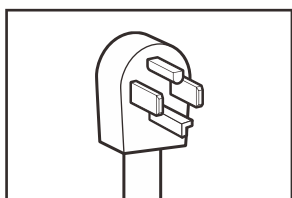
Passer le cordon d'alimentation à travers le serre-câbles. Vérifier que la gaine d'isolation du cordon d'alimentation rentre à l'intérieur du serre-câbles. Le serre-câbles doit être bien relié à la caisse de la sècheuse et se trouver en position horizontale. Serrer la vis du serre-câbles autour du cordon d'alimentation. Ne pas serrer excessivement les vis du serre-câbles.

Connexion d'alimentation à 4 fils

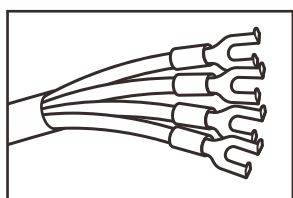
IMPORTANT : Une connexion à 4 fils est requise pour les maisons mobiles et lorsque les codes locaux n'autorisent pas l'utilisation de connexions à 3 fils.



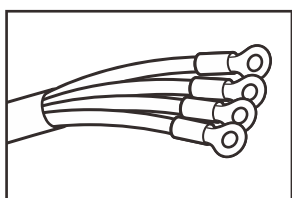
Prise 4 fils
(NEMA type 14-30R)



fiche à 4 broches

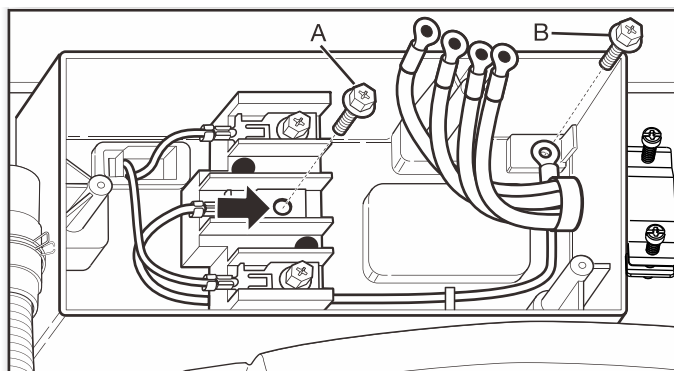


Cosses à fourche avec
extrémités retournées



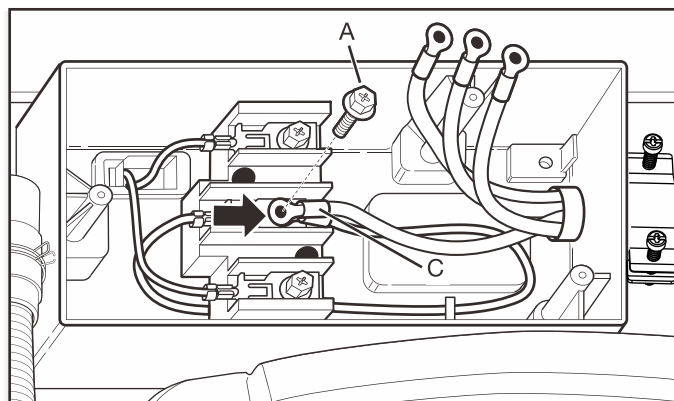
Cosses à anneau

3. Préparer la connexion du fil neutre



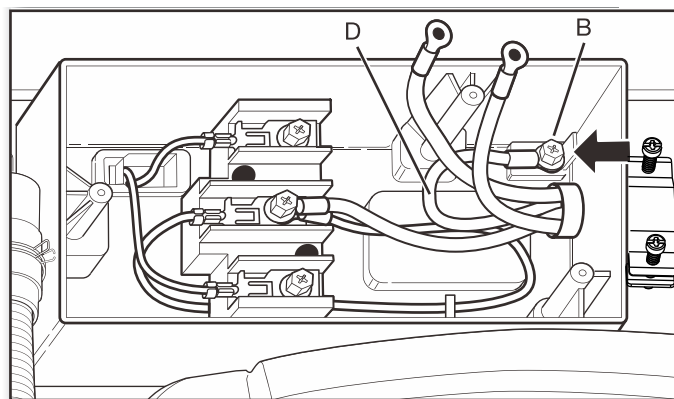
Retirez la vis centrale du bornier (A) et la vis du conducteur de mise à la terre externe (verte) (B).

4. Connecter le fil neutre



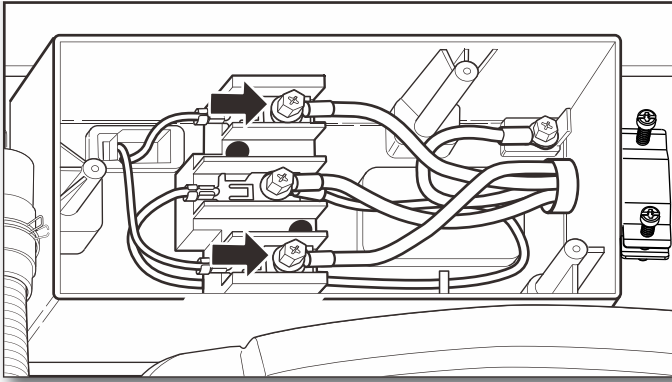
Repliez le fil de mise à la terre blanc sur lui-même et connectez-le, ainsi que le fil neutre (blanc ou central) (C) du cordon d'alimentation, sous la vis centrale du bornier (A). Serrez la vis.

5. Connecter le fil de terre



Connectez le fil de terre (D) (vert ou nu) du cordon d'alimentation sous la vis verte du conducteur de mise à la terre externe (B). Serrez la vis.

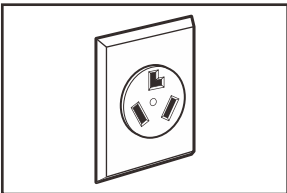
6. Connecter les fils restants



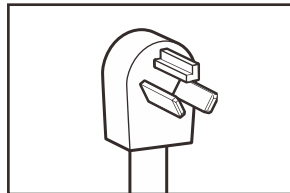
Connectez les fils restants sous les vis extérieures du bornier. Serrez les vis et également les vis du serre-câble. Enfin, installez le couvercle du boîtier de raccordement et fixez-le avec les trois vis. Ensuite, allez à « Cheminement du tuyau d'évacuation ».

Connexion d'alimentation à 3 fils

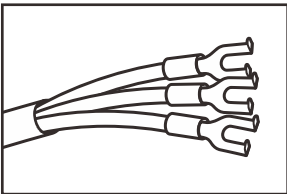
IMPORTANT : À utiliser là où les codes locaux autorisent la connexion du conducteur de terre de l'armoire au fil neutre.



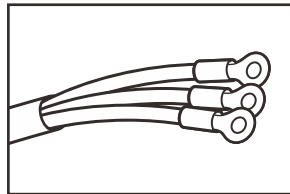
Prise à 3 fils
(NEMA type 10-30R)



prise à 3 broches

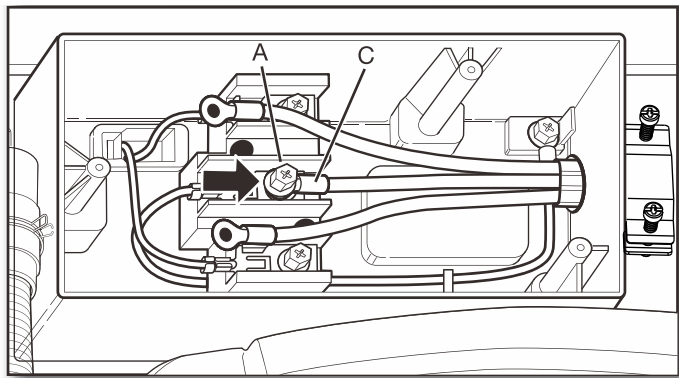


Cosses à fourche avec
extrémités retournées



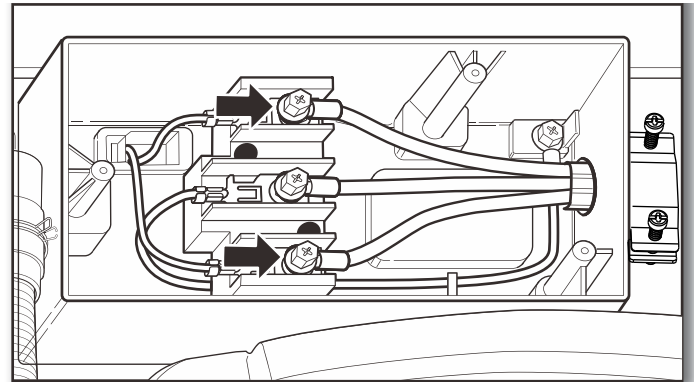
Cosses à anneau

3. Connecter le fil neutre (central)



Connectez le fil neutre (central) (C) du cordon d'alimentation sous la vis centrale du bornier (A). Serrez la vis.

4. Connecter les fils restants

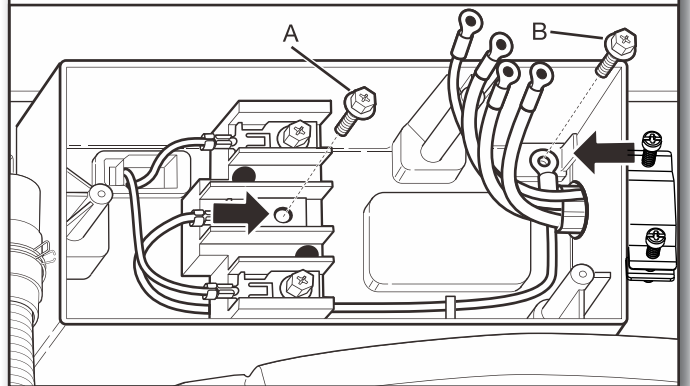


Connectez les fils restants sous les vis extérieures du bornier. Serrez les vis et également les vis du serre-câble. Enfin, installez le couvercle du bornier et fixez-le avec les trois vis. Ensuite, allez à « Cheminement du tuyau d'évacuation ».

Mise à la terre externe facultative pour une connexion à 3 fils

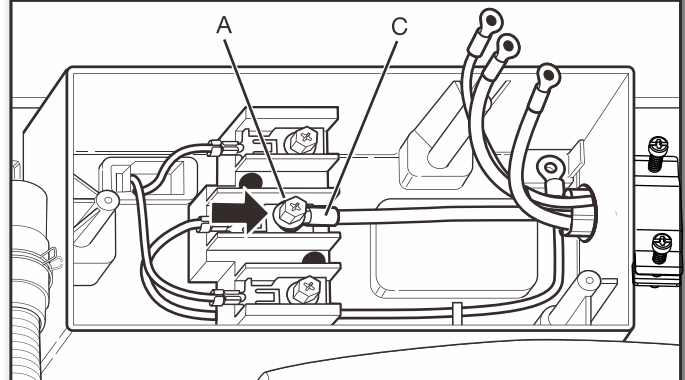
IMPORTANT : Vous devez vérifier avec un électricien qualifié que cette méthode de mise à la terre est acceptable avant de procéder au raccordement.

1. Préparer la connexion du fil neutre



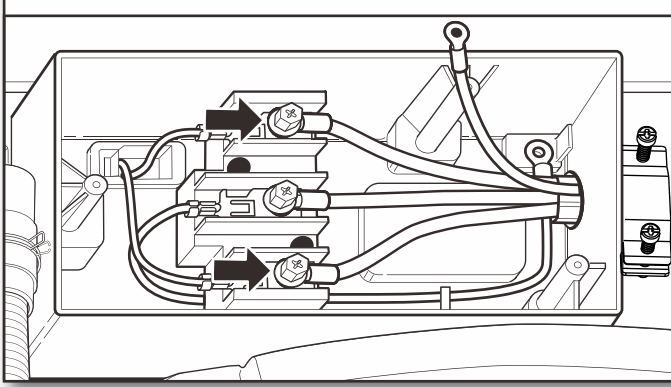
Retirez la vis centrale du bornier (A) et la vis du conducteur de mise à la terre externe (verte) (B).

2. Connecter le fil neutre



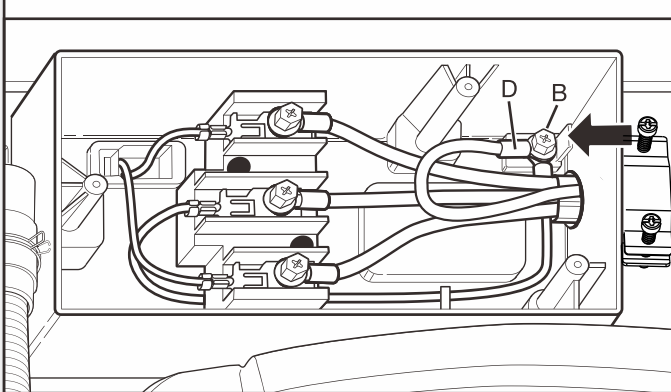
Connectez le fil neutre (central) (C) du cordon d'alimentation sous la vis centrale du bornier (A). Serrez la vis.

3. Connecter les fils restants



Placez les extrémités des fils restants sous les vis extérieures du bornier. Serrez les vis et serrez le serre-câble.

4. Connecter le fil de terre externe

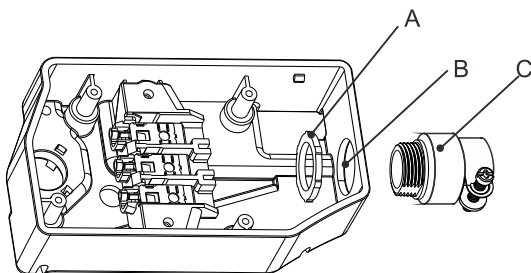


Connectez un fil de terre en cuivre séparé (D) sous la vis verte du conducteur de terre externe (B) vers une mise à la terre adéquate. Enfin, installez le couvercle du bornier et fixez-le avec les trois vis. Ensuite, allez à « Cheminement du tuyau d'évacuation »

Connexion filaire directe

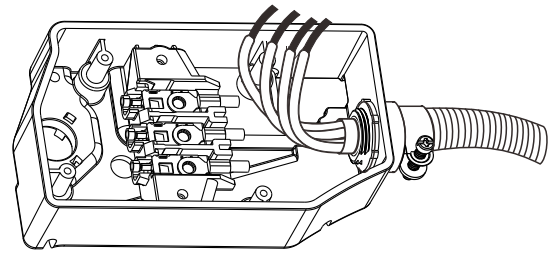
Serre-câble direct

1. Fixez le serre-câble direct



Utilisez le connecteur de conduit amovible (A) et les vis d'un serre-câble homologué UL de 19 mm (3/4") (marquage UL sur le serre-câble). Insérez la partie filetée du serre-câble dans le trou situé sous l'ouverture du bornier (B). En passant par l'ouverture du bornier, vissez le connecteur de conduit amovible (A) sur le filetage du serre-câble (C) et serrez fermement.

2. Fixez le câble direct au serre-câble



Faites passer le câble direct dans le serre-câble. Ce dernier doit être bien ajusté à l'armoire du sèche-linge et en position horizontale. Serrez la vis du serre-câble contre le câble direct.

Pour une connexion directe à 4 fils, passez à l'étape 3.



Connexion directe à 4 fils : accédez à « Connexion directe à 4 fils ».

Pour une connexion directe à 3 fils, passez à l'étape 3.

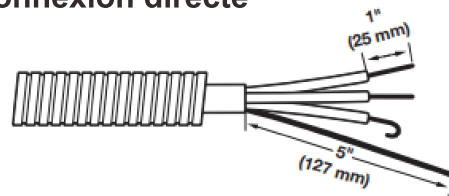


Connexion directe à 3 fils : accédez à « Connexion directe à 3 fils ».

Connexion directe à 4 fils

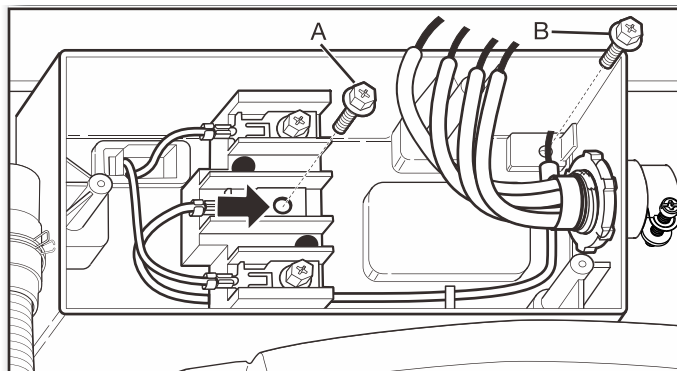
IMPORTANT : Une connexion à 4 fils est requise pour les mobil-homes et lorsque la réglementation locale n'autorise pas les connexions à 3 fils.

3. Préparez votre câble à 4 fils pour une connexion directe



Le câble direct doit avoir une longueur supplémentaire de 1,52 m (5 pi) pour permettre le déplacement du sèche-linge si nécessaire. Dénudez 127 mm (5 po) de la gaine extérieure à l'extrémité du câble, en laissant le fil de terre dénudé à 127 mm (5 po). Coupez 38 mm (1 1/2 po) des 3 fils restants. Dénudez l'isolant sur 25 mm (1 po). Formez des crochets avec les extrémités des fils.

4. Préparez-vous à connecter le fil neutre

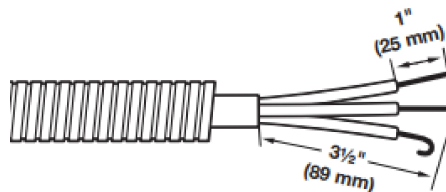


Retirez la vis du bornier central (A) et la vis du conducteur de terre externe vert (B).

Connexion directe à 3 fils

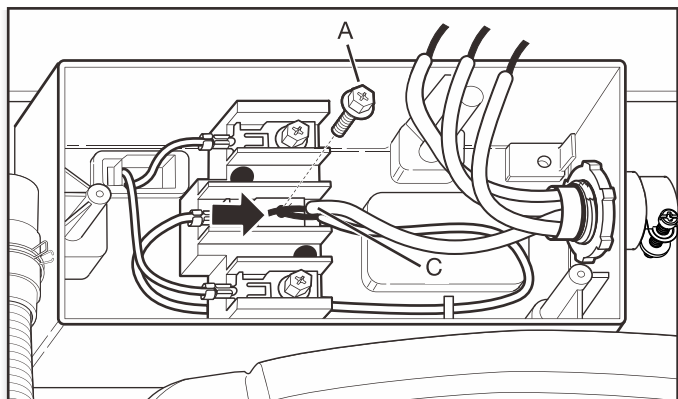
IMPORTANT : À utiliser là où les codes locaux autorisent la connexion du conducteur de terre de l'armoire au fil neutre.

3. Préparez votre câble à 4 fils pour une connexion directe



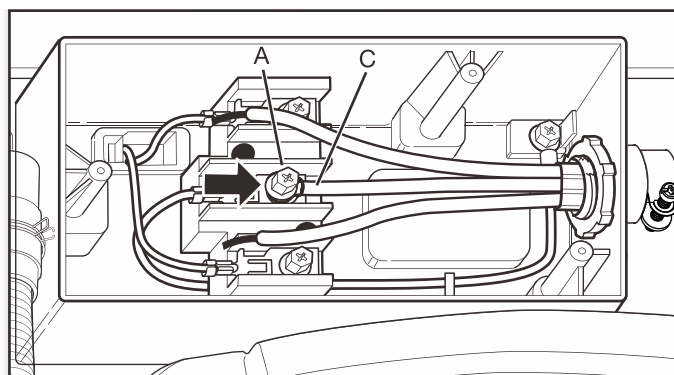
L'alimentation directe doit avoir une longueur supplémentaire de 1,52 m (5 pi) afin de pouvoir déplacer le sèche-linge si nécessaire. Dénudez 8,9 cm (3 1/2 po) de la gaine extérieure à l'extrémité de l'alimentation. Dénudez l'isolant sur 2,5 cm (1 po). Si vous utilisez une alimentation à 3 fils avec fil de terre, coupez le fil dénudé au ras de la gaine extérieure. Façonnez les extrémités des fils en crochets.

5. Connectez le fil neutre



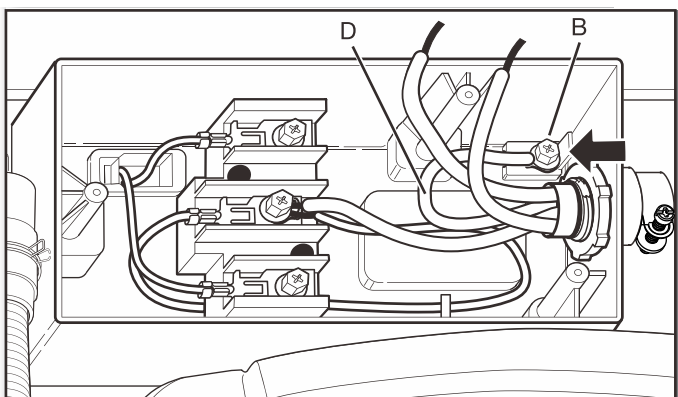
Remettez le fil de terre blanc en boucle et connectez-le au fil neutre (blanc ou central) (C) du fil direct sous la vis centrale du bornier (A). Serrez la vis.

4. Connectez le fil neutre



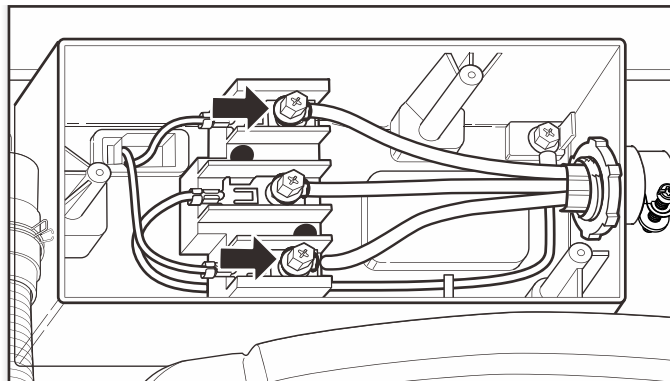
Connectez le fil neutre (central) (C) du fil direct sous la vis du bornier central (A). Serrez la vis.

6. Connectez le fil de terre



Connectez le fil de terre (D) (vert ou nu) du fil direct sous la vis verte du conducteur de terre externe (B). Serrez la vis.

5. Connectez les fils restants



Connectez les fils restants sous les vis du bornier extérieur. Vissez les vis et serrez également les vis du serre-câble. Enfin, installez le couvercle du bornier et fixez-le avec les trois vis. Maintenant, accédez à « Acheminement du tuyau de vidange ».

Liste de contrôle d'installation complète

- Vérifiez les exigences électriques. Assurez-vous que l'alimentation électrique est correcte et que la méthode de mise à la terre recommandée est utilisée.
- Vérifiez que toutes les pièces sont maintenant installées. S'il reste une pièce en trop, revenez sur les étapes pour voir ce qui a été omis.
- Vérifiez que vous avez tous vos outils.
- Assurez-vous que tous les matériaux d'expédition ont été complètement retirés de l'appareil.
- Vérifiez que l'appareil est à niveau.
- Assurez-vous que les robinets d'eau sont ouverts.
- Vérifiez qu'il n'y a pas de fuites autour des robinets et des tuyaux d'arrivée.
- Retirez le film protecteur de la console et tout ruban restant sur l'appareil.
- Pour une installation avec cordon d'alimentation, branchez dans une prise mise à la terre. Pour une installation en fil direct, mettez l'alimentation sous tension.
- Jetez ou recyclez tous les matériaux d'emballage.
- Lisez la section « Entretien et maintenance ».
- Pour tester et nettoyer votre appareil, appuyez sur Marche, choisissez le cycle rapide et lancez-le sans vêtements. Utilisez uniquement du détergent HE. Utilisez la moitié de la quantité recommandée par le fabricant pour une charge de taille moyenne.