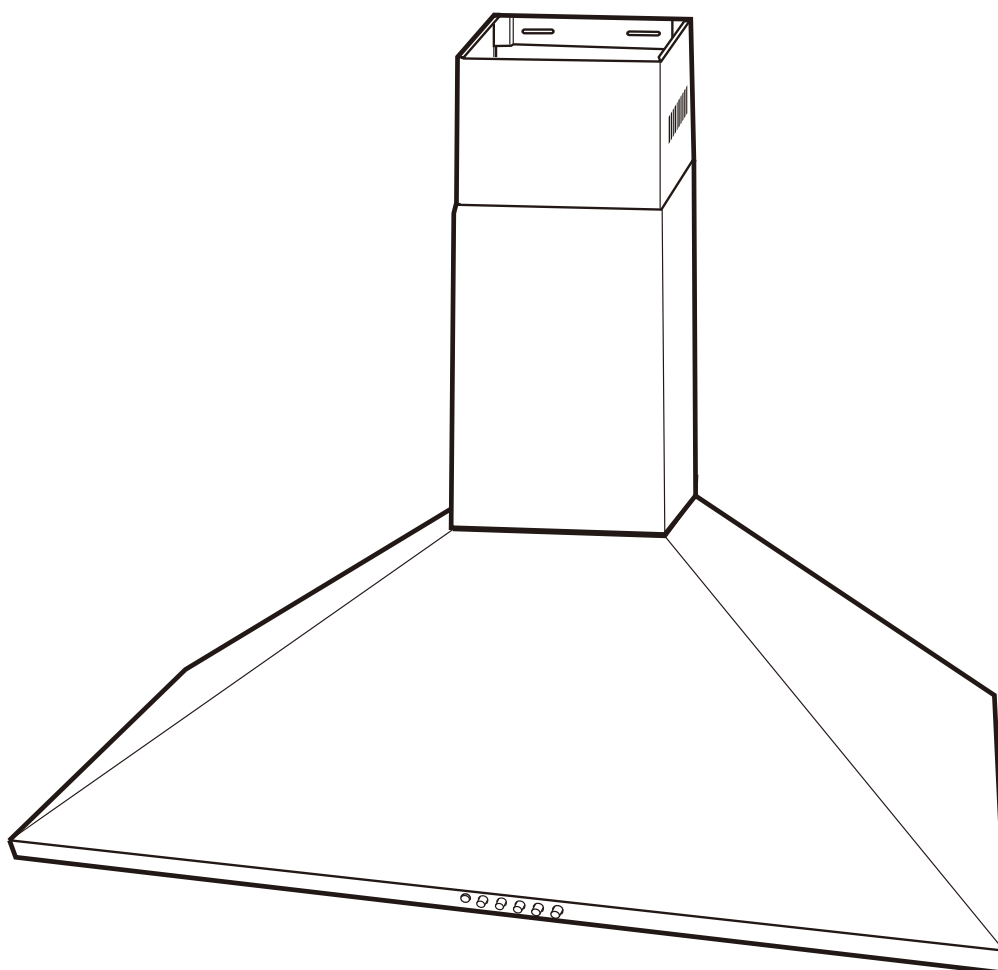


Use & care guide
Guia de uso y cuidado
Guide d'utilisation et d'entretien

30" and 36" Free-Standing Range Hood



2 Finding information

Table of contents

Please read and save this guide	02
Keep a record for quick reference	02
Important safety instructions	02-04
Electrical requirements	04-05
Intended use	05
Parts supplied	05
Installing the hood	05-11
Operation	11
Cleaning and maintenance	11-12
Technical data	12
Troubleshooting	12
Environmental protection	12
Warranty information	13

Please read and save this guide

Thank you for choosing **Frigidaire**, the new premium brand in home appliances. This Use & Care Guide is part of our commitment to customer satisfaction and product quality throughout the service life of your new appliance.

We view your purchase as the beginning of a relationship. To ensure our ability to continue serving you, please use this page to record important product information.

Keep a record for quick reference

Purchase date

Model number

Serial number

NOTE

Registering your product with Frigidaire enhances our ability to serve you. You can register online at www.frigidaire.com or by dropping your Product Registration Card in the mail.

Questions?


For toll-free telephone support in the U.S.: **1-800-944-9044** or Canada: **1-800-265-8352**

For online support and Internet production information visit <http://www.frigidaire.com>

Important safety instructions

Do not attempt to install or operate this appliance until you have read the safety instructions in this manual. Safety items throughout this manual are labelled with a **Danger**, **Warning**, or **Caution** based on the risk type.

Definitions

 This is the safety alert symbol. It is used to alert you to potential personal injury hazards. Obey all safety messages that follow this symbol to avoid possible injury or death.

DANGER

DANGER indicates an imminently hazardous situation which, if not avoided, will result in death or serious injury.

WARNING

WARNING indicates a potentially hazardous situation which, if not avoided, could result in death or serious injury.

CAUTION

CAUTION indicates a potentially hazardous situation which, if not avoided, could result in minor or moderate injury.

Important safety instructions

IMPORTANT

Indicates installation, operation, or maintenance information which is important but not hazard-related.

Child safety

Packing materials:

- Packing cartons covered with rugs, bedspreads, plastic sheets, or stretch wrap may become airtight chambers and can quickly cause suffocation.
- Remove the protective film covering the appliance before putting it into operation.
- Destroy or recycle the appliance's carton, plastic bags, and any other exterior wrapping material immediately after the product is unpacked. Children should never play with these items. **Danger of suffocation!**



IMPORTANT

PLEASE READ THESE INSTRUCTIONS CAREFULLY BEFORE INSTALLATION AND USE.

INSTALLATION MUST COMPLY WITH ALL LOCAL CODES.

IMPORTANT: Save these instructions for the Local Electrical Inspector's use.

INSTALLER: Please leave these instructions with this appliance for the owner.

OWNER: Please retain these instructions for future reference.

DANGER

Always switch off the electricity supply at the mains during installation and maintenance such as for light bulb replacement.

WARNING

To reduce the risk of fire, electric shock, or injury to persons, observe the following:

- **FOR RESIDENTIAL USE ONLY.**
- Use this appliance only in the manner intended by the manufacturer. If you have questions, contact the manufacturer.
- Installation work and electrical wiring must be done by qualified person(s) in accordance with applicable codes & standards, including fire-rated construction.
- Sufficient air is needed for proper combustion and exhausting of gases through the flue (chimney) of fuel burning equipment to prevent back-drafting. Follow the heating equipment manufacturers guideline and safety standards such as those published by the National Fire Protection Association (NFPA), the American Society for Heating, Refrigeration and Air Conditioning Engineers (ASHRAE), and the local code authorities.
- When cutting or drilling into wall or ceiling, do not damage electrical wiring and other hidden utilities (e.g. gas pipes).
- Ducted systems must always be vented to the outdoors.

WARNING

- Before servicing or cleaning the unit, switch power off at service panel and lock service panel disconnecting means to prevent power from being switched on accidentally. When the service disconnecting means cannot be locked, securely fasten a prominent warning device, such as a tag, to the service panel.

CAUTION

For general ventilating use only. **DO NOT** use to exhaust hazardous or explosive materials or vapors.

CAUTION

To reduce risk of fire and to properly exhaust air, be sure to duct air outside – do not vent exhaust air into spaces within walls, ceilings, attics, crawl spaces, or garages.

4 Important safety instructions

Important safety instructions

WARNING

To reduce the risk of fire, use only metal duct work. Install this hood in accordance with all requirements specified.

WARNING

To reduce the risk of fire or electric shock, do not use this hood with any external solid state speed control device.

WARNING

To reduce the risk of a cooker top grease fire:

- Never leave surface units unattended at high settings. Boilovers cause smoking and greasy spillovers that may ignite. Heat oils slowly on low or medium settings.
- Always turn hood ON when cooking at high heat or when flambéing food (i.e. Crepes Suzette, Cherries Jubilee, Peppercorn Beef Flambé).

WARNING

- Clean ventilating fans frequently. Grease should not be allowed to accumulate on fan or filter.
- Do not use the range hood without the grease filters, or if the filters are excessively greasy.
- Use proper pan size. Always use cookware appropriate for the size of the surface element.

WARNING

NEVER PICK UP A FLAMING PAN - you may be burned.

WARNING

To reduce the risk of injury to persons, in the event of a cooker top grease fire, observe the following:

- Smother flames with a close-fitting lid, cookie sheet, or other metal tray, then turn off the gas burner or the electric element. Be careful to prevent burns. If the flames do not go out immediately, evacuate and call the fire department.
- Never pick up a flaming pan – you may be burned.
- Do not use water, including wet dishcloths or towels – a violent steam explosion will result.
- Use an extinguisher only if:
 - You know you have a class ABC extinguisher, and you already know how to operate it.
 - The fire is small and contained in the area where it started.
 - The fire department is being called.
 - You can fight the fire with your back to an exit.

CAUTION

Always leave safety grills and filters in place. Without these components, operating blowers could catch onto hair, fingers and loose clothing.

Electrical requirements

IMPORTANT

Observe all governing codes and ordinances.

It is the customer's responsibility:

- to contact a qualified electrical installer.
- to assure that the electrical installation is adequate and in conformance with National Electrical Code, ANSI/NFPA 70 – latest edition*, or CSA Standards C22.1-94, Canadian Electrical Code, Part 1 and C22.2 No.0-M91-latest edition** and all local codes and ordinances.

If codes permit and a separate ground wire is used, it is recommended that a qualified electrician determines that the ground path is adequate.

- Do not ground to a gas pipe.
- Check with a qualified electrician if you are not sure range hood is properly grounded.
- Do not have a fuse in the neutral or ground circuit.

Installing the hood 5

➔ IMPORTANT

Save installation instructions for electrical inspector's use.

The range hood must be connected with copper wire only.

The range hood should be connected directly to the fused disconnect (or circuit breaker) box through metal electrical conduit.

Wire sizes must conform to the requirements of the National Electrical Code ANSI/NFPA 70 – latest edition, or CSA Standards C22.1-94, Canadian Electrical Code Part 1 and C22.2 No.0-M91 – latest edition** and all local codes and ordinances.

A U.L.- or C.S.A.-listed conduit connector must be provided at each end of the power supply conduit (at the range hood and at the junction box).

Copies of the standards listed may be obtained from:

* National Fire Protection Association Batterymarch Park Quincy, Massachusetts 02269

** CSA International 8501 East Pleasant Valley Road Cleveland, Ohio 44131-5575

Power requirement:

120V~, 60Hz, 15 or 20A branch circuit

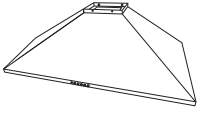
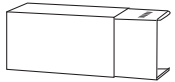
Intended use

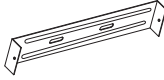
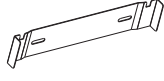

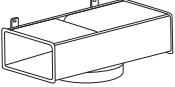









- Your range hood is intended for exhaust operation only. This range hood is not recommended to be used over indoor grills. Do not use it to exhaust hazardous or explosive materials or vapors.

frigidaire.ca/right-to-repair/

Though Frigidaire makes every effort to make replacement parts, repair services and information necessary to maintain or repair our products available to consumers, parts, service and information are not guaranteed, pursuant to section 39 of the Consumer Protection Act, CQLR, c. P-40.1 and sections 79.18 to 79.20 of the Regulation respecting the application of the Consumer Protection Act, CQLR, c. P-40.1, r. 3.

Parts supplied

No.	Part	Qty.
1		1
2		1 + 1

3		Upper bracket	1
4		Lower bracket	1
5		Collar	1
6		Recirculation kit (optional accessories) FHWRKT55LS	1
7		Bulb 20W, 120V~, GU10 (pre-assembled)	2
8		Long screw (4mm x 32mm)	8
9		Wall plug	8
10		Short screw (4mm x 10mm)	4
11		Wood screw (4mm x 50mm)	4
12		Stainless steel screw (3.5mm x 10mm)	2
13		Short screw (3.5mmx8mm)	2
14		10' extension chimney kit (optional accessories) FHW10X55LS	1
15		Assembly template (stencilled)	1

6 Installing the hood

Installing the hood

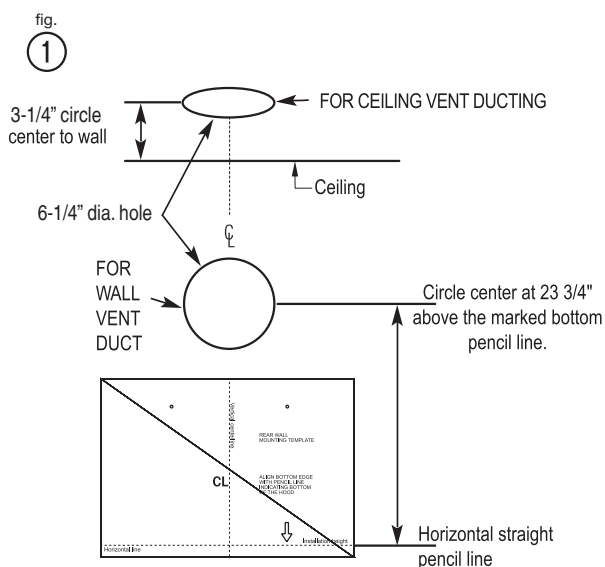
➔ IMPORTANT

We recommend that two people carry out the installation. Pay attention to the procedure described in the assembly instructions.



Preparation

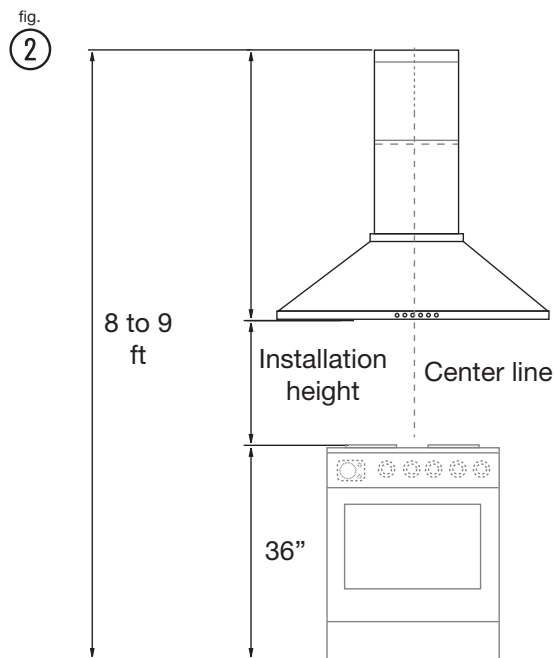
- Determine the exact location of the range hood.
- Plan the route for venting exhaust to the outdoors (fig. ③).
- Plan the power connection prior to installation so that electrical wiring will not be visible afterwards.
- **House wiring location:** The junction box is located on the top right side of the hood. Wiring should enter the back wall at least 20" above the bottom of the installation height, and within 3-3/8" to 4-3/4" of the right side of the centerline (fig. ①/②).



- Use the shortest and straightest duct route possible.
- The wall breakthrough must be carried out by a professional prior to installing the range hood. Pay attention to the length of the exhaust hose when planning the wall breakthrough. The exhaust hose must reach the outer edge of the wall without any kinks. **Important!** If the exhaust hose leads through an outer wall, install a wall cap with damper or roof cap at the exterior opening (not delivered). This can be installed by the professional that performs the wall breakthrough.
- If open fireplaces are operated in the same room,

ask your local chimney sweeper about the local regulations prior to installation.

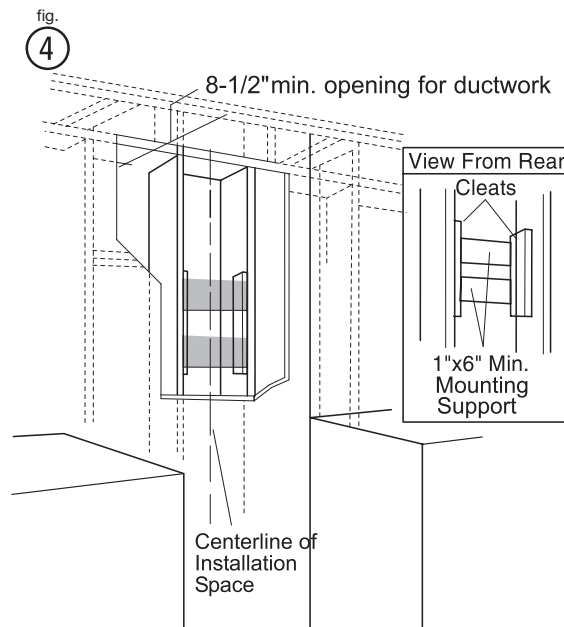
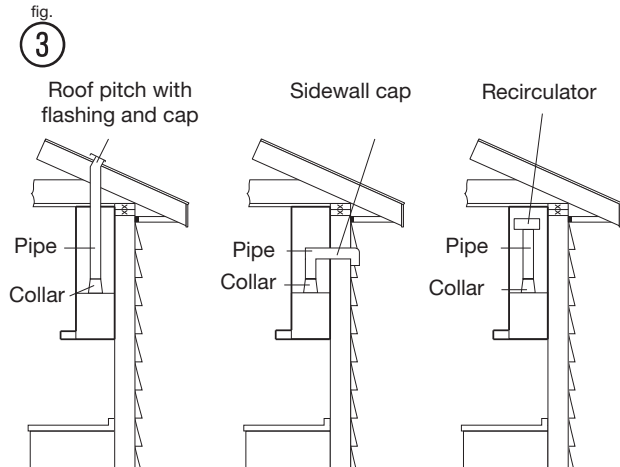
- If you are renting, then approval must be obtained from the owner of the property.
- **Attention!** In order for the range hood to reach optimal performance, install it over the middle of the cooking area.
- The following accessories are required to mount the range hood (not included):
 - Exhaust duct
 - Power drill with 3/16" and 1/8" bits
 - Screwdriver
 - Level
 - Cable detector
 - Measuring tape
 - Duct tape



Ducting installation guidelines

- For safety reasons, ducting should vent directly outdoors (not into an attic, underneath the house, into the garage or into any enclosed space).
- Keep duct runs as short and straight as possible.
- Duct fittings (elbows and transitions) reduce air flow efficiency.
- Back to back elbow and "S" turns give very poor delivery and are not recommended.
- A short straight length of duct at the inlet of the remote blower gives the best delivery.
- Transition to duct from the integral blower or remote duct transition as close to the downdraft as is possible.
- Use a suitable 6" round duct.
- Flexible metal round ducts should only be used when no other duct fitting exists. Limit use to short lengths and do not crush when making corners.

Examples of possible ducting or air recirculation



Installing range hood to the wall (Exhaust operation)

➔ IMPORTANT

This range hood is very heavy. Adequate structure and support must be provided in all types of installations.

Install framing for hood support

- If drywall is present, mark the screw hole locations.
- Cut away enough drywall to expose 2 vertical studs at the holes location indicated by the template. Install two horizontal supports at least 1" x 6" between two wall studs at the bottom and top mounting holes installation location (fig. ④).
- The horizontal support must be flush with the room side of the studs. Use cleats behind both sides of the support to secure to wall studs.
- Reinstall drywall and refinish.

➔ IMPORTANT

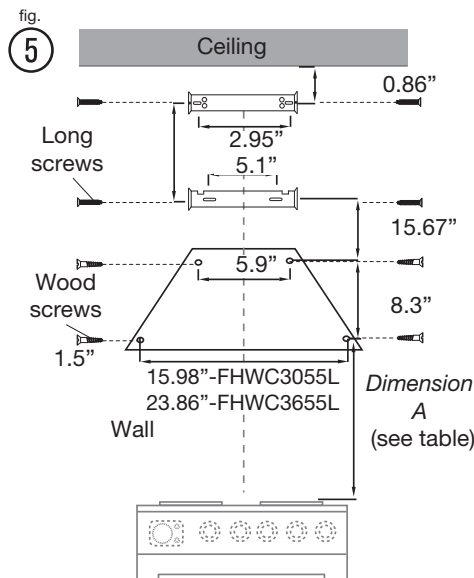
Framing must be capable of supporting 100 lbs.

Step 1:

- Make sure that no cables or pipes will become damaged (e.g. electric, gas, water; test the areas in question with a cable detector).
- Using supplied template (15), mark and drill 8 holes in the wall. Drill the holes according to the measured distances from the diagram (fig. ⑤).
- Upper/Lower bracket (3, 4): Insert 4 wall plugs (9) into the 4 drilled holes.
- Range hood (1): Installation is depending on wall type:

Wall type	Required fasteners
Wood	No wall plugs (9) required
Brick/Concrete	4 wall plugs (9)

8 Installing the hood



Desired range hood distance above a 36\"/>

	Ceiling height		
	8 Feet	9 Feet	10 Feet *1
	A*2	A*2	A*2
26**3	27-5/16"		
27**3	28-5/16"	28-5/16"	
28**3	29-5/16"	29-5/16"	29-5/16"
29**3	30-5/16**4	30-5/16"	30-5/16"
30**3	31-5/16**4	31-5/16"	31-5/16"
31**3	32-5/16**4	32-5/16"	32-5/16"
32**3	33-5/16**4	33-5/16"	33-5/16"
33"		34-5/16"	34-5/16"
34"		35-5/16"	35-5/16"
35"		36-5/16"	36-5/16"

*1: with 10' Extension chimney kit FHW10X55LS (14) (not supplied). Please call Frigidaire at 1.800.944.9044 to order this kit.

*2: "Dimension A" in the chart represents the height from cook top to where the bottom screw mounting holes would be located.

*3: Recommended mounting height

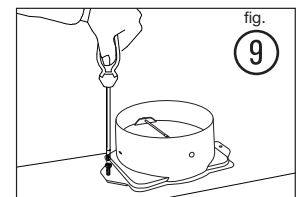
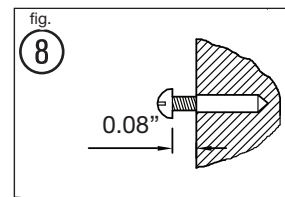
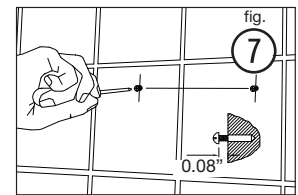
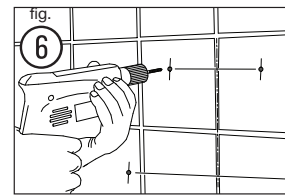
*4: Recirculation Kit cannot be installed.

Step 2:

- Install the range hood (1) either with wood screws or long screws, depending on the wall type:

Wall type	Required screws
Wood	4 wood screws (11)
Brick/Concrete	4 long screws (8)

- Insert 2 screws (8 or 11) in the top location, but do not fully insert the screws (fig. ⑧). Mount the range hood (1) to the wall and tighten the screws. Insert and tighten the 2 remaining screws on the bottom location of the range hood (fig. ⑥/⑦).
- Attach the collar (5) to the range hood (1). Secure with 2 short screws (8) (fig. ⑨).

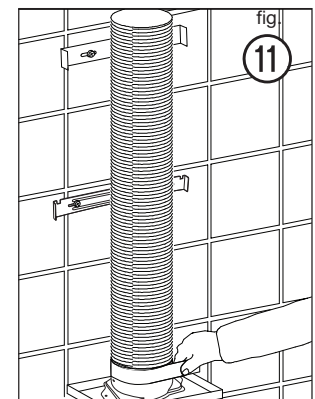
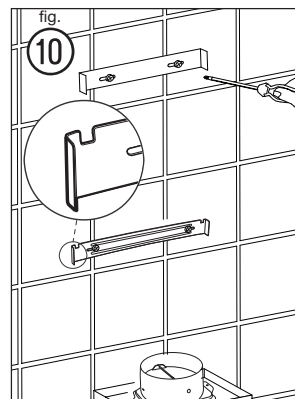


NOTE

Sometimes, sponge tape covers the holes. If the holes are located behind the sponge tape, simply insert the screw through the sponge tape.

Step 3:

- Mount upper and lower brackets (3, 4) on the wall. Secure with the remaining 4 sets of long screws (8). The notches of the lower bracket should be facing up towards the ceiling (fig. ⑩).
- Attach the exhaust duct. In the example below a round metal duct furnace pipe has been used. The airtight connection of the exhaust duct should then be improved with a duct tape. This ensures tight fit and that no grease vapors will escape from the duct (fig. ⑪).



Electrical connections

DANGER

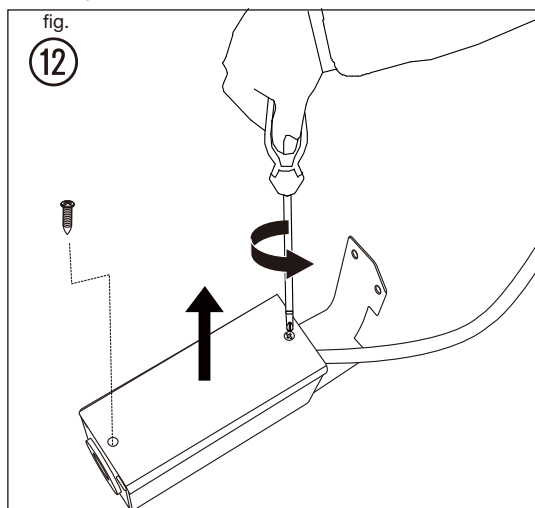
Danger of electric shock! All fittings must be installed by a competent person in accordance with current wiring regulations and local building regulations. If in doubt, consult a qualified electrician.

IMPORTANT

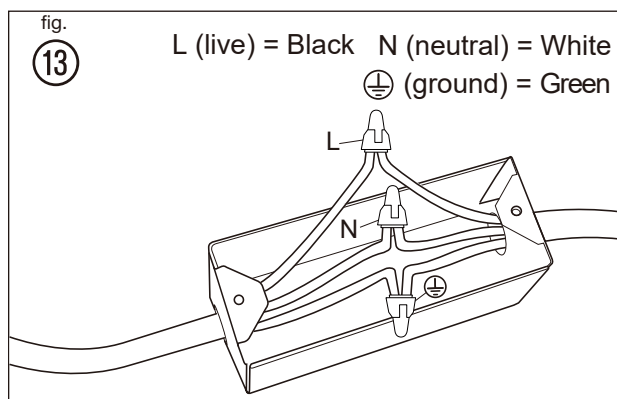
Always switch off the electricity supply at the mains during installation, cleaning and maintenance. We recommend that the fuse is withdrawn or circuit breaker switched off at the distribution board while work is in progress.

Step 4:

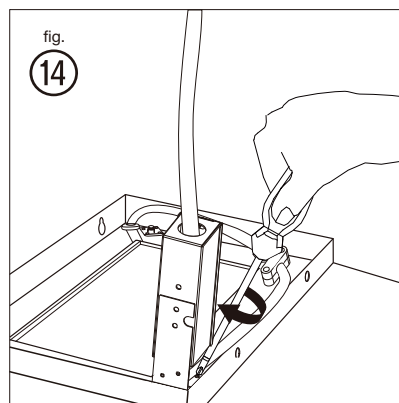
- Loosen the 2 short screws from the junction box (fig. 12).



- Connect the incoming positive, neutral and ground cables to the respective terminals. The ground cable is already pre-assembled onto the junction box to provide grounding (fig. 13).

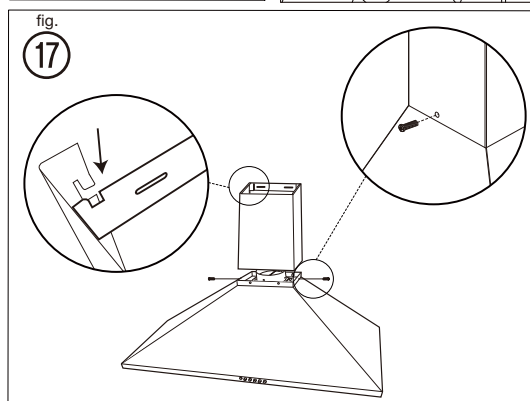
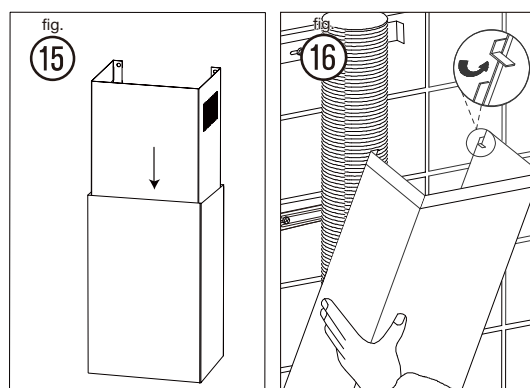


- Mount the junction box onto the range hood using 2 short screws (13) (fig. 14).



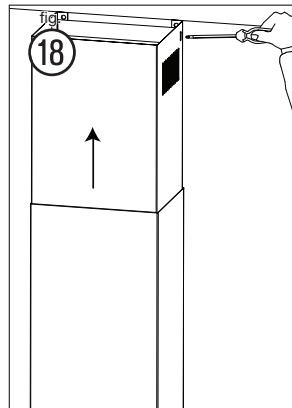
Step 5:

- Insert the upper chimney (2) into the lower chimney (3) from top to bottom (fig. 15).
- Mount lower chimney (2) on the range hood (1).
- Fit the tab, which is bend by 90 degrees, into the lower bracket notch and mount to the lower bracket (4) (fig. 16/17).
- Fix it with 2 screws (12) (fig. 17).



- Pull the upper chimney (2) to the upward position to match the screw hole of the upper bracket. Mount to the upper bracket (3) with 2 side screws (10) (fig. 18).

10 Installing the hood



CAUTION

Danger of injury. The chimney skirts may have some sharp edges.

Exhaust operation

- During exhaust operation, the range hood removes air from a room. If other fire sources that require the surrounding air for combustion are being operated in the same room, (e.g. gas, oil or coal heaters), the oxygen they require is taken away. Thus flames could be suffocated and gas could leak out or the fumes could be drawn back into the room.
- In order to guarantee a safe operation, there should be non-closable openings in doors, windows to ensure a fresh supply of combustion air. This will prevent the combustion fumes from being drawn back into the room.
- When assessing the measures necessary, always take the entire ventilation system of the house into consideration.
- Never secure the range hood to a ventilation duct, or a room or exhaust gas chimney! Do not let the air that is removed from the room be drawn into a duct where warm air is circulating. The extracted air should only be drawn outdoors through a separate ventilating duct that is only for the extractor hood.
- When in extraction mode, air in the room is being removed by the range hood. Please make sure that proper ventilation measures are being observed. The range hood removes odors from room but not steam.
- There shall be adequate ventilation of the room when the range hood is used at the same time as appliances burning gas or other fuels (not applicable to appliances that only discharge the air back into the room).

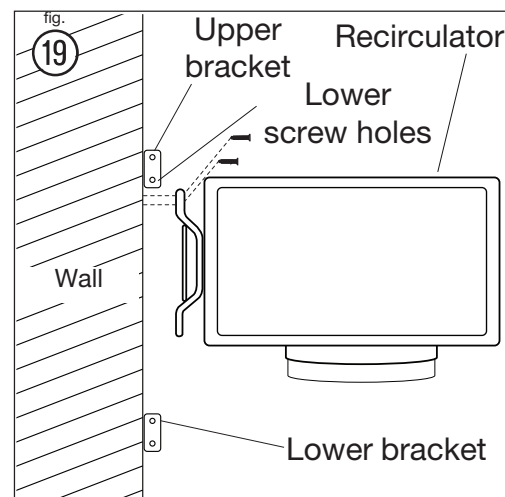
- The air must not be discharged into a flue that is used for exhausting fumes from appliances burning gas or other fuels (not applicable to appliances that only discharge the air back into the room).

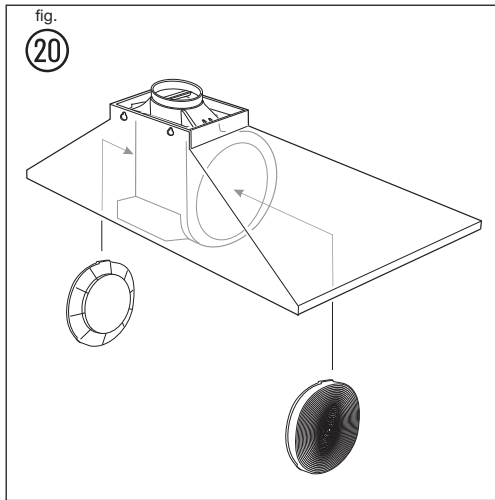
Air recirculation operation

- **Recirculated air:** Kitchen fumes are removed and after purification are fed back into the room through the upper ventilation openings. The purification takes place via metallic anti-grease filter. No wall breakthrough is required for *recirculated air operation*.

Installing range hood to the wall in recirculation mode

- For the operation of the range hood with *recirculation mode* a recirculator, model no. FHWRKT55LS, needs to be obtained. Please call Frigidaire at 1.800.944.9044 to order this kit.
- Follow steps 1 to 4 from *Installing range hood to the wall (Exhaust operation)* chapter.
- To install the recirculator (6) drill 2 additional holes in the wall. Use the template included in recirculation kit for proper position.
- Fix the recirculator (6) to the wall with 2 sets of long screws (8) and wall plugs (9) (fig. 19).
- Attach the exhaust duct on the bottom of the recirculator (6).
- Follow step 5 from *Installing range hood to the wall (Exhaust operation)* sub-chapter.





- Take out the grease filters and fit charcoal filters to two lateral sides of the motor blower. Assemble back the grease filters (fig. 20).

Operation

- Press one of the speed (• / •• / •••) buttons to turn the appliance on.

Button	Function
○	Press button ○ to switch the appliance off (pilot lamp is lit when appliance is switched on).
•	Press button • for low speed.
••	Press button •• for medium speed.
•••	Press button ••• for high speed.
☀	Press button ☀ to turn on lights. Press again to switch lights off.

For best performance

NOTE

Continuous use of range hood while cooking helps keep the kitchen comfortable and less humid.

It also reduces cooking odors and soiling moisture that create a frequent need for cleaning.

- Turn on the range hood before starting to cook.
- Clean the filters frequently (refer to **Cleaning and maintenance** below).
- Use low speed for normal use and higher speed for strong odors or fumes.

Cleaning and maintenance

Cleaning

! DANGER

Always switch off the electricity supply at the mains during installation, cleaning and maintenance such as for light bulb replacement.

NOTE

The efficiency of the range hood depends on the cleanliness of the intake and filters. Grease should not be allowed to accumulate on hood or filter.

- Clean the appliance in the following intervals:

Regularly	Use a soft cloth moistened with hand-warm mildly soapy water or household cleaning detergent. Never use metal pads, chemical, abrasive material or stiff brush to clean the appliance.
Monthly	<p>Metallic anti-grease filter: The filter collects grease, smoke and dust so the filter is directly affecting the efficiency of the range hood. If not cleaned, the grease residue (potential flammable) will saturate on the filter. Clean it with household cleaning detergent. The filter is dishwasher safe.</p> <p>Recirculator: clean the ventilation openings on the top sides.</p>
every 4 - 6 months	<p>Charcoal filters:</p> <ul style="list-style-type: none"> • If the model is not vented to the outside, the air will be recirculated through disposable charcoal filters that help remove smoke and odors. • The charcoal filters cannot be cleaned, they must be replaced regularly (depending on range hood usage). • NOTE: Do not rinse or put charcoal filters in a dishwasher. • NOTE: Charcoal filters are not included with the range hood. Please call Frigidaire at 1.800.944.9044 to order this kit. When calling our customer service center, also have this range hood's model number ready.

12 Troubleshooting

➔ IMPORTANT

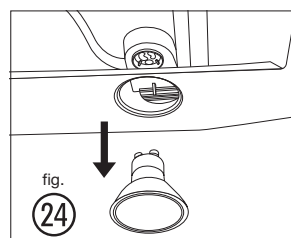
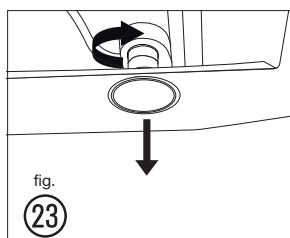
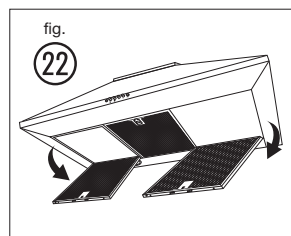
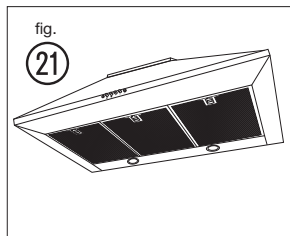
Clean the filter every month to prevent risk of fire.

Maintenance

- User servicing – Do not repair or replace any part of the appliance unless specifically recommended in the manual. All other servicing should be referred to a qualified technician.

Light bulb replacement

- Switch the appliance off and disconnect the power supply.
- In order to replace the light bulb (7), the metallic anti-grease filter should be detached first.
- Pull the spring lock downward (fig. 22).
- Rotate and pull one or both of the light bulbs from the holders and replace with new light bulb(s) of the same type (GU10, 20W, 120V~) (fig. 23/24).
- Replace the metallic anti-grease filter and make sure it locks in place.



Technical data

Power supply	:	120V~, 60Hz
Power consumption	:	520W
Bulb type	:	2x 20W, 120V~ (type: GU10)
Power cable type	:	18AWG (Amer. Wire Gauge) 300V~, 105°C

Troubleshooting

Problem	Cause	Solution
Excessive vibration.	The appliance is not fixed properly on the brackets.	Take down the appliance and check it is properly fixed.
	The fan blade is damaged.	Switch off the appliance. Repair to be carried out by qualified service personnel only.
	The fan motor is not fixed tightly.	
Light on, but fan does not work.	The fan blade is jammed.	Switch off the appliance. Repair to be carried out by qualified service personnel only.
	The motor is damaged.	
Both light and fan do not work.	Light bulb broken.	Replace with a bulb with correct rating.
	Problem with electrical connection	Check the electrical connection with an electrician.
Suction performance is not good.	Distance between the appliance and the cooking place too large.	Readjust the distance (page 7, fig. 5 and table below)
	Metallic anti-grease filter is dirty.	Clean filters (see <i>Cleaning and maintenance</i>).

Environmental protection



Waste electrical products should not be disposed of with household waste. Please recycle where facilities exist. Check with your Local Authority or retailer for recycling advice.

Warranty information

Your appliance is covered by a one year limited warranty. For one year from your original date of purchase, Electrolux will pay all costs for repairing or replacing any parts of this appliance that prove to be defective in materials or workmanship when such appliance is installed, used and maintained in accordance with the provided instructions.

Exclusions

This warranty does not cover the following:

1. Products with original serial numbers that have been removed, altered or cannot be readily determined.
2. Product that has been transferred from its original owner to another party or removed outside the USA or Canada.
3. Rust on the interior or exterior of the unit.
4. Products purchased "as-is" are not covered by this warranty.
5. Food loss due to any refrigerator or freezer failures.
6. Products used in a commercial setting.
7. Service calls which do not involve malfunction or defects in materials or workmanship, or for appliances not in ordinary household use or used other than in accordance with the provided instructions.
8. Service calls to correct the installation of your appliance or to instruct you how to use your appliance.
9. Expenses for making the appliance accessible for servicing, such as removal of trim, cupboards, shelves, etc., which are not a part of the appliance when it is shipped from the factory.
10. Service calls to repair or replace appliance light bulbs, air filters, water filters, other consumables, or knobs, handles, or other cosmetic parts.
11. Surcharges including, but not limited to, any after hour, weekend, or holiday service calls, tolls, ferry trip charges, or mileage expense for service calls to remote areas, including the state of Alaska.
12. Damages to the finish of appliance or home incurred during installation, including but not limited to floors, cabinets, walls, etc.
13. Damages caused by: services performed by unauthorized service companies; use of parts other than genuine Electrolux parts or parts obtained from persons other than authorized service companies; or external causes such as abuse, misuse, inadequate power supply, accidents, fires, or acts of God.

USA
1.800.944.9044
Electrolux Major Appliances
North America
10200 David Taylor Drive
Charlotte, NC 28262



Canada
1.800.265.8352
Electrolux Canada Corp.
5855 Terry Fox Way
Mississauga, Ontario, Canada
L5V 3E4

GB

DISCLAIMER OF IMPLIED WARRANTIES;

LIMITATION OF REMEDIES

CUSTOMER'S SOLE AND EXCLUSIVE REMEDY UNDER THIS LIMITED WARRANTY SHALL BE PRODUCT REPAIR OR REPLACEMENT AS PROVIDED HEREIN. CLAIMS BASED ON IMPLIED WARRANTIES, INCLUDING WARRANTIES OF MERCHANTABILITY OR FITNESS FOR A PARTICULAR PURPOSE, ARE LIMITED TO ONE YEAR OR THE SHORTEST PERIOD ALLOWED BY LAW, BUT NOT LESS THAN ONE YEAR. ELECTROLUX SHALL NOT BE LIABLE FOR CONSEQUENTIAL OR INCIDENTAL DAMAGES SUCH AS PROPERTY DAMAGE AND INCIDENTAL EXPENSES RESULTING FROM ANY BREACH OF THIS WRITTEN LIMITED WARRANTY OR ANY IMPLIED WARRANTY. SOME STATES AND PROVINCES DO NOT ALLOW THE EXCLUSION OR LIMITATION OF INCIDENTAL OR CONSEQUENTIAL DAMAGES, OR LIMITATIONS ON THE DURATION OF IMPLIED WARRANTIES, SO THESE LIMITATIONS OR EXCLUSIONS MAY NOT APPLY TO YOU. THIS WRITTEN WARRANTY GIVES YOU SPECIFIC LEGAL RIGHTS. YOU MAY ALSO HAVE OTHER RIGHTS THAT VARY FROM STATE TO STATE.

If You Need Service

Keep your receipt, delivery slip, or some other appropriate payment record to establish the warranty period should service be required. If service is performed, it is in your best interest to obtain and keep all receipts. Service under this warranty must be obtained by contacting Electrolux at the addresses or phone numbers below.

This warranty only applies in the USA and Canada. In the USA, your appliance is warranted by Electrolux Major Appliances North America, a division of Electrolux Home Products, Inc. In Canada, your appliance is warranted by Electrolux Canada Corp.

Electrolux authorizes no person to change or add to any obligations under this warranty. Obligations for service and parts under this warranty must be performed by Electrolux or an authorized service company. Product features or specifications as described or illustrated are subject to change without notice.

14 Cómo encontrar la información

Tabla de contenidos

Por favor, lea y conserve esta guía	14
Lleve un registro para una referencia rápida	14
Instrucciones importantes de seguridad.....	14-16
Requisitos eléctricos	16
Uso para el que ha sido diseñada.....	17
Componentes suministrados	17
Instalación de la campana	18-22
Modo de funcionamiento.....	23
Limpieza y mantenimiento.....	23-24
Datos técnicos	24
Resolución de problemas.....	24
Protección medioambiental	24
Información de la garantía.....	25

Por favor, lea y conserve esta guía

Gracias por elegir **Frigidaire**, la nueva marca de alta calidad de aparatos para el hogar. Esta guía de uso y cuidados forma parte de nuestro compromiso con la satisfacción de los clientes y con la calidad del producto durante toda la vida útil de su nuevo aparato.

Vemos su compra como el comienzo de una relación. Para asegurarnos de que podemos seguir asistiéndole, le rogamos que utilice esta página para registrar información importante del producto.

Lleve un registro para una referencia rápida

Fecha de compra

Número del modelo

Número de serie

NOTA

Al registrar su producto con Frigidaire nos ayuda a ofrecerle una mejor asistencia. Puede registrarse online en www.frigidaire.com o enviando por correo su Tarjeta de Registro del Producto.

¿Preguntas?


Para asistencia en los EE.UU. por medio de un número de teléfono gratuito: **1-800-944-9044** o en Canadá: **1-800-265-8352**

Para asistencia online e información de la producción en Internet, visite <http://www.frigidaire.com>

Instrucciones importantes de seguridad

No intente instalar ni poner en funcionamiento este aparato sin haber leído antes las instrucciones de seguridad de este manual. Las notas de seguridad a lo largo de este manual están etiquetadas con **Peligro**, **Advertencia** o **Precaución**, según el tipo de riesgo.

Definiciones

 Este es el símbolo de alerta de seguridad. Sirve para alertarle de que existe un riesgo potencial de lesiones personales. Obedezca todos los mensajes de seguridad que siguen a este símbolo para evitar posibles daños o muerte.

PELIGRO

PELIGRO indica una situación inminentemente peligrosa que, en caso de no ser evitada, puede llegar a ser mortal o provocar lesiones graves.

ADVERTENCIA

ADVERTENCIA indica una situación potencialmente peligrosa que, en caso de no ser evitada, puede llegar a ser mortal o provocar lesiones graves.

PRECAUCIÓN

PRECAUCIÓN indica una situación potencialmente peligrosa que, en caso de no ser evitada, puede provocar lesiones menores o moderadas.

Instrucciones importantes de seguridad

➔ IMPORTANTE

Indica información de instalación, funcionamiento o mantenimiento que es importante, pero no entraña peligro.

Seguridad para los niños

Materiales de embalaje:

- Los cartones de embalaje cubiertos con alfombras, colchas, capas de plástico o film estirable pueden convertirse en cámaras herméticas y causar asfixia rápidamente.
- Quite el film protector que cubre el aparato antes de ponerlo en funcionamiento.
- Destruya o recicle el cartón del aparato, bolsas de plástico y cualquier otro material de envoltura exterior inmediatamente después de desenvolver el producto. Los niños no deben jugar con ellos en ningún caso. ¡Peligro de asfixia!



➔ IMPORTANTE

POR FAVOR, LEA ATENTAMENTE ESTAS INSTRUCCIONES ANTES DE PROCEDER A LA INSTALACIÓN Y AL USO.

LA INSTALACIÓN DEBE CUMPLIR TODOS LOS CÓDIGOS LOCALES.

IMPORTANTE: Guarde estas instrucciones para que las utilice el inspector de la electricidad local.

INSTALADOR: Por favor, deje estas instrucciones con el aparato para el propietario.

PROPIETARIO: Por favor, guarde estas instrucciones para futura referencia.

⚠ PELIGRO

Corte siempre el suministro eléctrico en la red durante la instalación y el mantenimiento, como por ejemplo, cuando cambie una bombilla.

⚠ ADVERTENCIA

Para reducir el riesgo de incendio, de choque eléctrico o de lesiones a personas, observe lo siguiente:

- **PARA USO EXCLUSIVAMENTE RESIDENCIAL.**
- Utilice este aparato sólo de la manera que determina el fabricante. Si tiene preguntas, póngase en contacto con el fabricante.
- El trabajo de instalación y el cableado eléctrico deben hacerlo una o varias personas cualificadas siguiendo todos los códigos y normas aplicables, incluidas las de construcción contra incendios.
- Es necesario que haya suficiente aire para la combustión adecuada y para la extracción de gases a través del tiro (chimenea) del equipo que quema el combustible y evitar así una explosión de gases de humo con efecto reverso. Siga las directrices del fabricante del equipo que produce el calentamiento y las normas de seguridad como las publicadas por la Asociación Nacional de Protección contra el Fuego (NFPA), la Sociedad Americana para la Calefacción, los Ingenieros de Refrigeración y Aire Acondicionado (ASHRAE) y las autoridades del registro locales.
- Al cortar o taladrar en la pared o en el techo, no dañe el cableado eléctrico ni otras utilidades ocultas (por ej. las tuberías del gas).
- Los sistemas por conductos deben tener siempre salida al exterior.

⚠ ADVERTENCIA

- Antes de reparar o limpiar la unidad, interrumpa la corriente en el tablero de servicio y bloquee el mecanismo de desconexión del tablero de servicio para impedir que se active la corriente de manera accidental. En caso de que no se pueda bloquear el mecanismo de desconexión, coloque de forma segura un dispositivo de advertencia prominente, como una etiqueta, en el tablero de servicio.

⚠ PRECAUCIÓN

Para uso exclusivo de ventilación general. NO utilizar para la expulsión de materiales o vapores explosivos o peligrosos.

⚠ PRECAUCIÓN

Para reducir el riesgo de incendio y para extraer el aire de la manera adecuada, asegúrese de conducir el aire hacia fuera – no dé salida al aire de la combustión en espacios entre paredes, techos, áticos, semisótanos o garajes. Instrucciones importantes de seguridad.

16 Instrucciones importantes de seguridad

Instrucciones importantes de seguridad

ADVERTENCIA

Para evitar el riesgo de incendios, utilice exclusivamente conductos de metal. Instale esta campana cumpliendo con todos los requisitos especificados.

ADVERTENCIA

Para reducir el riesgo de incendio o choque eléctrico, no utilice esta campana con dispositivo externo de control de la velocidad a estado sólido.

ADVERTENCIA

Para reducir el riesgo de que se incendie la grasa o el aceite al cocinar:

- No deje nunca unidades de superficie desatendidas en una posición de alta temperatura. Si hierve algo demasiado y se sale, se produce humo y se derrama grasa que puede arder. Caliente el aceite despacio en una posición de temperatura baja o media.
- **ENCIENDA** siempre la campana cuando cocine a una temperatura alta o cuando flambee comida (como Crepes Suzette, Cerezas Jubilee, Ternera flambeada con granos de pimienta).

ADVERTENCIA

- Limpie con frecuencia los ventiladores. No debería dejar que se acumule la grasa en ventiladores ni en filtros.
- No utilice la campana extractora sin los filtros de grasa o si los filtros están muy llenos de ella.
- Utilice un tamaño de sartén adecuado. Utilice siempre utensilios de cocina apropiados para el tamaño de la superficie.

ADVERTENCIA

NUNCA AGARRE UNA SARTÉN EN LLAMAS - puede quemarse.

ADVERTENCIA

Para reducir el riesgo de lesiones a personas, en caso de que arda aceite o grasa al cocinar, tenga en cuenta lo siguiente:

- Rebaje las llamas con una tapa que cierre bien, una bandeja de horno o cualquier otro tipo de bandeja metálica, luego apague el quemador de gas o la placa eléctrica. Tenga cuidado para evitar quemaduras. Si las llamas no se extinguen inmediatamente, evacue el lugar y llame al departamento de bomberos.
- Nunca agarre una sartén en llamas, puede quemarse.
- No utilice agua, ni siquiera trapos de cocina o toallas mojadas, puede producirse una violenta explosión de vapor.
- Utilice un extintor sólo en caso de:
 - Saber que tiene un extintor de clase ABC y conocer cómo utilizarlo.
 - Que el fuego sea pequeño y esté contenido en el espacio donde se prendió.
 - Esté llamando al departamento de bomberos.
 - Pueda enfrentarse al fuego teniendo una salida detrás de la espalda.

PRECAUCIÓN

Deje siempre las rejillas y los filtros de seguridad en su sitio. Sin estos componentes, los dispositivos que producen la corriente de aire pueden pillar el pelo, los dedos o ropa suelta.

Requisitos eléctricos

IMPORTANTE

Siga todas las ordenanzas y los códigos reguladores.

Es responsabilidad del cliente:

- Ponerse en contacto con un profesional de las instalaciones eléctricas.
- Asegurarse de que la instalación eléctrica es correcta y está en conformidad con el Código Eléctrico Nacional, ANSI/NFPA 70 – última edición*, o las normas CSA C22.1-94, Código Eléctrico Canadiense, Parte 1 y C22.2 No.0-M91-última edición** y todos los códigos y ordenanzas locales.

Si los códigos lo permiten y se utiliza un cable de tierra aparte, es recomendable que un electricista cualificado determine que el trayecto de conexión a tierra es adecuado.

- No derive la conexión a tierra hacia una tubería de gas.
- Compruébelo con un electricista cualificado si no está seguro de si la campana extractora está bien puesta a tierra.

Instalación de la campana 17

- No tenga un fusible en el circuito neutro o de tierra.



IMPORTANTE

Guarde las instrucciones de instalación para que las utilice el inspector de la electricidad.

La campana extractora debe estar conectada con cable de cobre exclusivamente.

La campana extractora debería estar conectada directamente a la caja (o disyuntor) de desconexión con fusibles a través de un conducto eléctrico de metal.

Los tamaños de los cables tienen que cumplir los requisitos del Código Nacional Eléctrico ANSI/NFPA 70 – última edición” o las normas CSA C22.1-94, Código Eléctrico Canadiense Parte 1 y C22.2 N°.0-M91 – última edición** y todos los códigos y ordenanzas locales.

El conector de conducto A U.L. – o C.S.A. de la lista debe colocarse en cada extremo del conducto de suministro eléctrico (en la campana extractora y en la caja de conexiones).

Se pueden obtener copias de las normas de la lista en:

* Asociación nacional de Protección contra el Fuego Battery March Park Quincy, Massachusetts 02269

** CSA International 8501 East Pleasant Valley Road Cleveland, Ohio 44131-5575

Requisitos eléctricos:

Circuito derivado de 15 o 20 A, 120 V~, 60 Hz

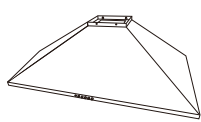
Uso para el que ha sido diseñada

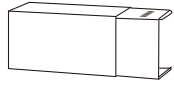
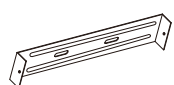
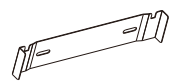

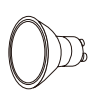





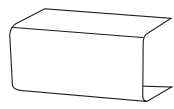
- Su campana extractora ha sido exclusivamente diseñada para la expulsión de gases. No se recomienda utilizar esta campana extractora sobre parrillas en espacios interiores. No la utilice para extraer materiales o vapores peligrosos o explosivos.

frigidaire.ca/fr-CA/droit-a-la-reparation/

Bien qu'Frigidaire fait tout son possible pour mettre à la disposition des consommateurs les pièces de rechange, les services de réparation et les informations nécessaires à l'entretien ou à la réparation de ses produits, les pièces, le service et les informations ne sont pas garantis, conformément à l'article 39 de la Loi sur la protection du consommateur, RLRQ, c. P-40.1 et aux articles 79.18 à 79.20 du Règlement d'application de la Loi sur la protection du consommateur, RLRQ, c P-40.1, r. 3.

Componentes suministrados

Nº	Componente	Cant.
1	 Campana extractora	1

2		Chimenea superior e inferior	1 + 1
3		Soporte superior	1
4		Soporte inferior	1
5		Collar	1
6		Kit de recirculación (accesorios opcionales) FHWRKT55LS	1
7		Bombilla 20 W, 120 V~, GU10 (previamente montada)	2
8		Tornillo largo (4 mm x 32 mm)	8
9		Taco	8
10		Tornillo corto (4 mm x 12 mm)	4
11		Tornillo para madera (4 mm x 50 mm)	4
12		Tornillo de acero inoxidable (3,5 mm x 10 mm)	2
13		Tornillo corto (3,5 mm x 8 mm)	2
14		Kit de extensión de la chimenea de 10' (25,4 cm) (accesorios opcionales) FHW10X55LS	1
15		Plantilla de montaje (estarcido)	1

ES

18 Instalación de la campana

Instalación de la campana

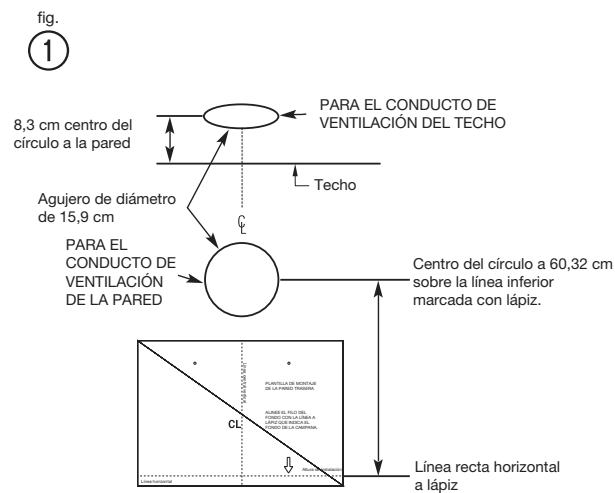
➔ IMPORTANTE

Recomendamos que lleven a cabo la instalación dos personas. Preste atención al procedimiento descrito en las instrucciones de montaje.



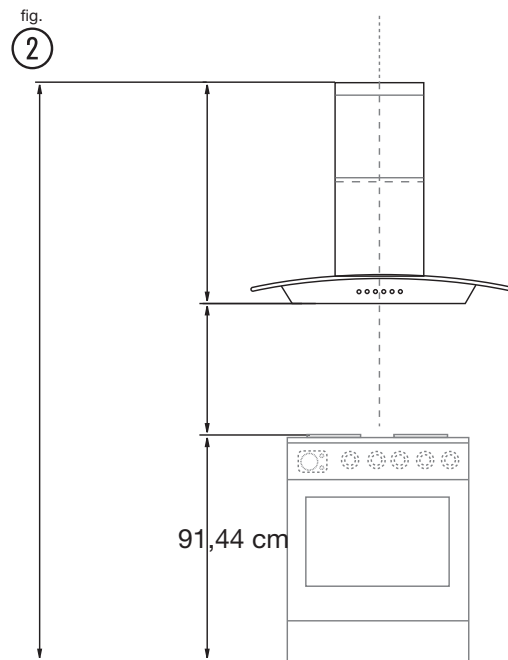
Preparación

- Determine la ubicación exacta de la campana extractora.
- Planifique la ruta de expulsión de gases al exterior (fig. ③).
- Planifique la conexión eléctrica antes de la instalación de manera que el cableado eléctrico no sea visible después.
- **Ubicación del cableado de la casa:** La caja de conexiones está situada en del lado derecho superior de la campana. El cableado debería entrar por la pared trasera al menos 50,8 cm por encima del final de la altura de la instalación y entre 8,57 cm y 12,06 cm a la derecha de la línea central (fig. ①/②).



- Utilice la ruta de conducción más corta y directa que sea posible.
- La penetración en la pared debe hacerla un profesional antes de instalar la campana extractora. Preste atención a la longitud de la manguera extractora al planear la penetración en la pared. La manguera extractora debe llegar al filo exterior de la pared sin curvas. ¡Importante! Si la manguera extractora pasa por una pared exterior, instale una tapa de pared con regulador o una tapa de tejado en la abertura exterior (no suministrada). Puede instalarlo el profesional que realice la penetración en la pared.

- Si hay chimeneas en la misma habitación, pregunte a su deshollinador local cuál es la regulación local antes de la instalación.
- Si su contrato es de alquiler, debe obtener la aprobación del propietario.
- **¡Atención!** Para que el rendimiento de la campana extractora sea óptimo, instálela encima de la mitad de la zona donde se cocina.
- Para montar la campana extractora se necesitan los siguientes accesorios (no incluidos):
 - Conducto de extracción
 - Taladro con brocas de 3/16" y 1/8"
 - Destornillador
 - Nivel
 - Detector de cables
 - Cinta métrica
 - Cinta americana

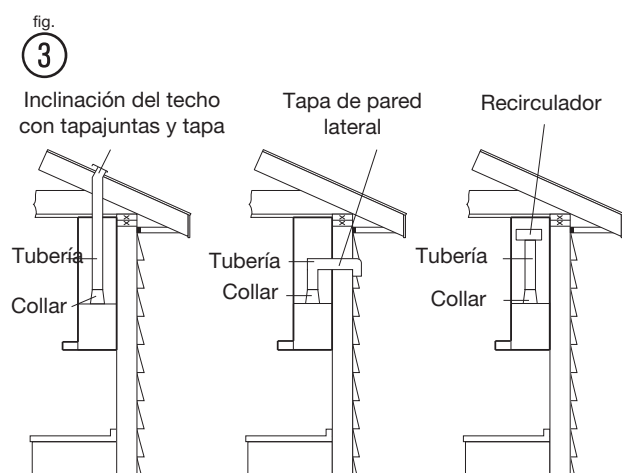


Diretrizes de instalación de los conductos

- Por razones de seguridad, los conductos han de tener salida directa al exterior (no a un ático debajo de la casa, a un garaje ni a ningún otro espacio cerrado).
- Trate de que los conductos sean lo más cortos y rectos posible.
- Los accesorios de los conductos (codos y transiciones) reducen la eficiencia del flujo de aire.
- Los codos seguidos y los giros en "S" reducen mucho la distribución y no son recomendables.
- Un segmento de conducto corto y recto en la entrada del ventilador remoto genera la mejor distribución.
- La transición al conducto desde el ventilador integral o la transición del conducto remoto tan cerca de la corriente de aire descendente como sea posible.

- Utilice un conducto redondo adecuado de 15,24 cm.
- Los conductos flexibles redondos de metal sólo deberían ser utilizados cuando no exista otro tipo de conducto. Limite su uso a segmentos cortos y no los deforme por presión cuando haga esquinas.

Ejemplos de conductos o recirculación de aire.



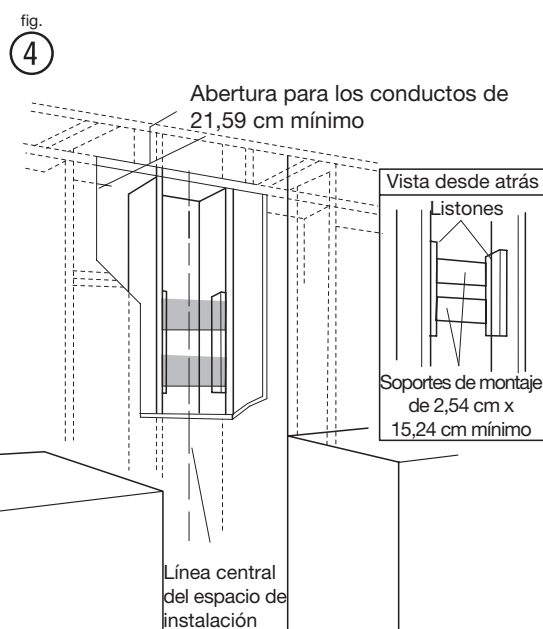
Instalación de la campana extractora en la pared (función de extracción)

➔ IMPORTANTE

Esta campana extractora pesa mucho. Se debe proporcionar una estructura y un apoyo adecuado en todo tipo de instalaciones.

Instalación del marco de apoyo para la campana.

- Si hay cartón yeso, marque el sitio donde se van a hacer los orificios para los tornillos.
- Extraiga suficiente cartón yeso como para dejar expuestos 2 montantes verticales en los sitios donde van los orificios según indica la plantilla. Instale dos soportes horizontales de al menos 2,54 cm x 15,24 cm entre los dos montantes de pared a la altura de los lugares donde van los orificios superiores e inferiores (fig. 4).
- El soporte horizontal debe estar a ras del lado de los montantes que da hacia el cuarto. Utilice listones detrás de ambas partes del soporte para asegurar los montantes de pared.
- Vuelva a instalar el cartón yeso y dele un nuevo acabado.



➔ IMPORTANTE

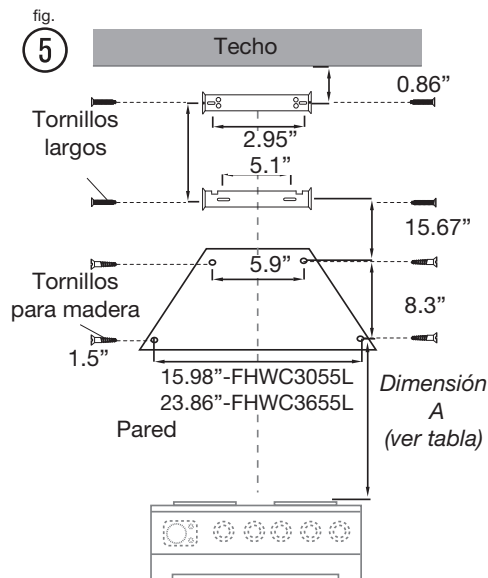
El marco debe ser capaz de soportar 45,35 kg.

Paso 1:

- Asegúrese de que no va a resultar dañado ningún cable ni ninguna tubería (por ej. de la luz, del gas, del agua, compruebe las zonas en cuestión con un detector de cables).
- Con ayuda de la plantilla suministrada (15), señale y taladre 8 orificios en la pared. Taladre los orificios según las distancias medidas del diagrama (fig. 5).
- Soporte superior/inferior (4, 5): inserte 4 tacos (9) en los cuatro orificios taladrados.
- Campana extractora (1): La instalación depende del tipo de pared:

Tipo de pared	Sujeción necesaria
Madera	No se necesitan tacos (9)
Ladrillo/cemento	4 tacos (9)

20 Instalación de la campana



Distancia deseada de la campana extractora sobre una placa de cocina de 36\" (91,44 cm) de alto.

	Altura del techo		
	8 pies (2,48 m)	9 pies (2,67 m)	10 pies* ¹ (3,04 m)
	A* ²	A* ²	A* ²
26** ³	27-5/16\"		
27** ³	28-5/16\"	28-5/16\"	
28** ³	29-5/16\"	29-5/16\"	29-5/16\"
29** ³	30-5/16** ⁴	30-5/16\"	30-5/16\"
30** ³	31-5/16** ⁴	31-5/16\"	31-5/16\"
31** ³	32-5/16** ⁴	32-5/16\"	32-5/16\"
32** ³	33-5/16** ⁴	33-5/16\"	33-5/16\"
33\"		34-5/16\"	34-5/16\"
34\"		35-5/16\"	35-5/16\"
35\"		36-5/16\"	36-5/16\"

*¹: Con un kit de extensión de la chimenea FHW10X55LS (16) (no suministrado). Por favor, llame a Frigidaire al 1.800.944.9044 para solicitar este kit.

*²: "Dimension A" en el cuadro, representa la altura desde la placa de cocina hasta donde los orificios de los tornillos de montaje inferiores estarían colocados.

*³: Altura de montaje recomendada.

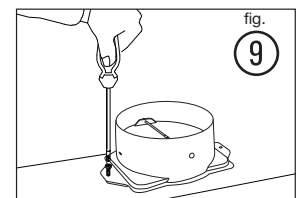
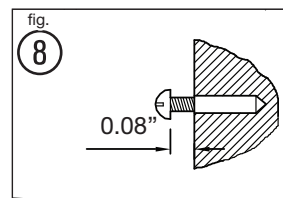
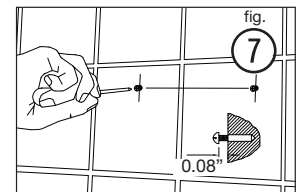
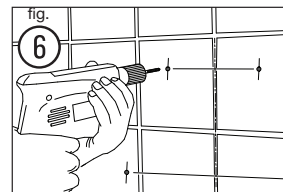
*⁴: El kit de recirculación no puede ser instalado.

Paso 2:

- Instale la campana extractora (1) con los tornillos para madera o con los tornillos largos, dependiendo del tipo de pared:

Tipo de pared	Tornillos necesarios
Madera	4 tornillos para madera (11)
Ladrillo/cemento	4 tornillos largos (8)

- Inserte 2 tornillos (8 o 11) en la ubicación superior, pero no los introduzca del todo (fig. ⑧). Monte la campana extractora (1) en la pared y apriete los tornillos. Inserte y apriete los 2 tornillos que quedan en la parte inferior de la campana extractora (fig. ⑥/⑦).
- Coloque el collar (5) en la campana extractora (1). Asegúrelo con 2 tornillos cortos (8) (fig. ⑨).

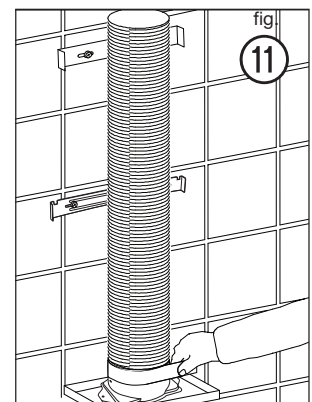
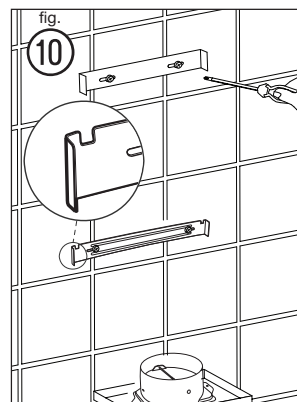


NOTA

Algunas veces, los orificios están cubiertos por cinta de espuma. Si los agujeros están situados detrás de la cinta de espuma, simplemente inserte el tornillo a través de ella.

Paso 3:

- Monte los soportes superiores e inferiores (3, 4) en la pared. Asegúrelos con los 4 juegos de tornillos largos (8) que quedan. Las hendiduras del soporte inferior deberían estar situadas de cara al techo (fig. ⑩).
- Coloque el conducto de extracción. En el ejemplo de debajo se ha utilizado un tubo de horno de conducto redondo de metal. Debería mejorarse la conexión hermética del conducto de extracción con cinta adhesiva de tela. Esto asegura que está bien ajustada y que no se escapan vapores con grasa del conducto (fig. ⑪).



Conexiones eléctricas

⚠ PELIGRO

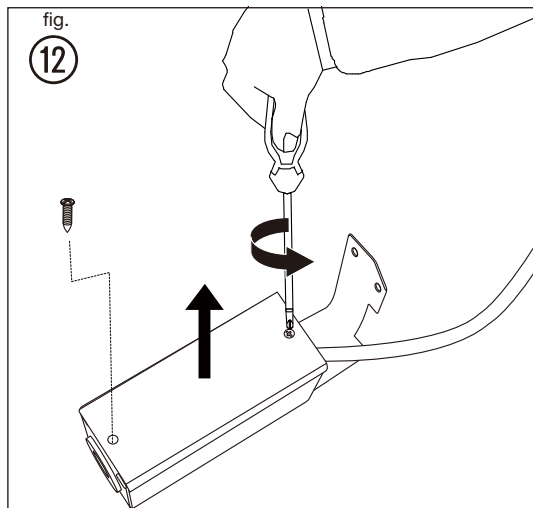
¡Peligro de choque eléctrico! Todos los artículos deben ser instalados por una persona competente de acuerdo con las normas actuales acerca de la electricidad y el reglamento local sobre obras. Si tiene alguna duda, consulte a un electricista cualificado.

➔ IMPORTANTE

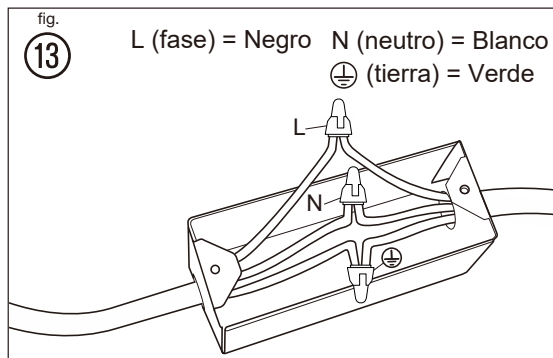
Corte siempre el suministro eléctrico en la red durante la instalación, limpieza y mantenimiento. Recomendamos que quite los fusibles o que apague el disyuntor en el cuadro de distribución cuando se esté trabajando.

Paso 4:

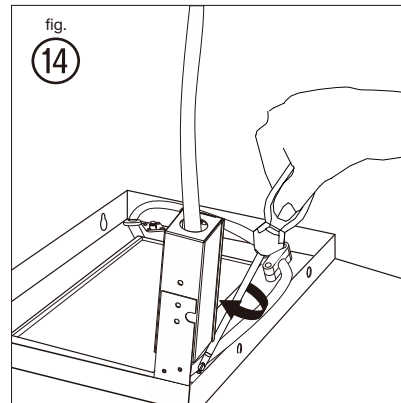
- Afloje los 2 tornillos cortos de la caja de conexiones (fig. 12).



- Conecte los cables de entrada positivo, neutro y de tierra a las terminales respectivas. El cable de tierra ya está montado en la caja de conexiones para proporcionar la conexión a tierra (fig. 13).

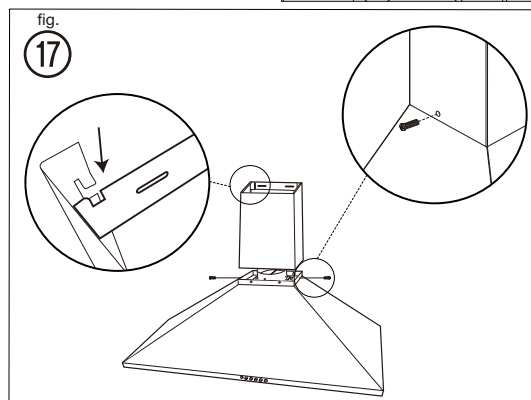
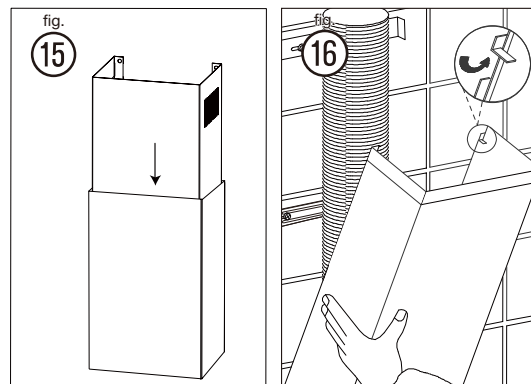


- Monte la caja de conexiones en la campana extractora utilizando 2 tornillos cortos (13) (fig. 14).



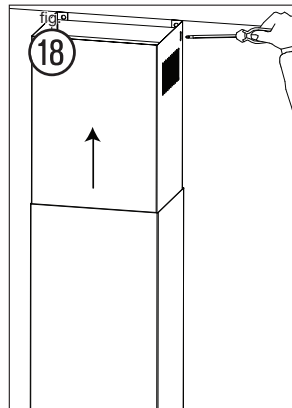
Paso 5:

- Inserte la chimenea superior (2) en la chimenea inferior (3) de arriba a abajo (fig. 15).
- Monte la chimenea inferior (2) sobre la campana extractora (1).
- Encaje la pestaña, que está doblada 90 grados, en la hendidura del soporte inferior y móntela sobre el mismo (4) (fig. 16/17).
- Fíjela con 2 tornillos (12) (fig. 17).



- Saque la chimenea superior (2) y póngala en posición hacia arriba para que coincida con el orificio del tornillo que se encuentra en el soporte superior. Monte el soporte superior (3) con 2 tornillos laterales (10) (fig. 18).

22 Instalación de la campana



PRECAUCIÓN

Peligro de lesiones. Las faldas de la chimenea pueden tener bordes afilados.

Función de extracción

- Durante la función de extracción, la campana extractora saca aire de un cuarto. Si en el mismo cuarto están siendo utilizadas otras fuentes que generan fuego y necesitan el aire para su combustión (por ej. gas, calentadores de aceite o carbón), se les privará del oxígeno que requieren. Por tanto las llamas podrán apagarse y salir los gases o podrían ser dirigidos de nuevo al cuarto.
- Con el fin de garantizar un funcionamiento seguro, las puertas deberían tener aberturas que no se puedan cerrar y así garantizar el suministro de aire fresco para la combustión. Esto evitará que los gases de la combustión se dirijan de nuevo al cuarto.
- Cuando sean evaluadas las medidas que son necesarias, tenga en cuenta siempre todo el sistema de ventilación de la casa.
- ¡Nunca fije la campana extractora a un conducto de ventilación, o a un cuarto o a una chimenea de extracción de gas! No deje que el aire extraído del cuarto sea dirigido a un conducto donde circule aire caliente. El aire extraído sólo debe dirigirse hacia el exterior a través de un conducto de ventilación aparte que sea exclusivo para la campana extractora.
- Cuando se encuentre en el modo de extracción, la campana extractora saca el aire del cuarto. Por favor, asegúrese de que se están tomando las medidas de ventilación adecuadas. La campana extractora quita olores del cuarto, pero no vapor.
- La habitación tiene que estar bien ventilada cuando se utilice la campana extractora al mismo tiempo que aparatos que quemen gas u otros combustibles (no es aplicable a aparatos

que sólo descarguen aire en la habitación).

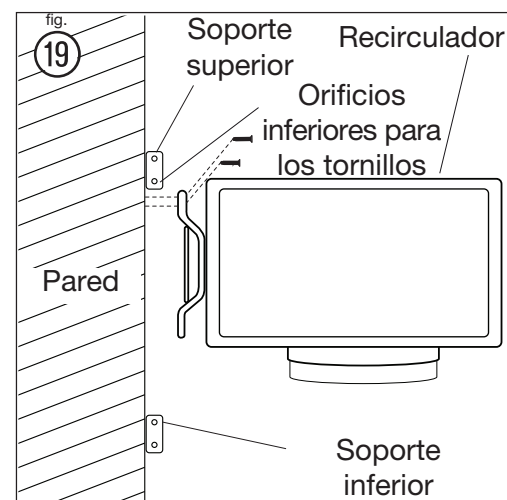
- No debe descargarse el aire en un tiro que sirva para expulsar gases de aparatos que quemen gas u otros combustibles (no es aplicable a aparatos que sólo descarguen aire en la habitación).

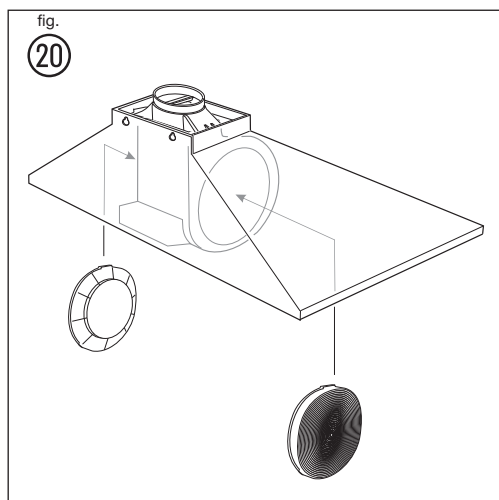
Función de recirculación del aire:

- **Aire recirculado:** Los gases de la cocina son extraídos y tras purificarlos, vuelven a ser introducidos en el cuarto a través de las aberturas superiores de ventilación. La purificación se produce a través de un filtro metálico antigra. No hace falta penetrar la pared para la *función de recirculación de aire*.

Instalación de la campana extractora en la pared en el modo de recirculación.

- Para que la campana extractora funcione en el modo de recirculación, se necesita un recirculador, modelo n° FHWRKT60LS. Por favor, llame a Frigidaire al 1.800.944.9044 para encargar este kit.
- Instalación de la campana extractora en la pared (*con conductos de extracción*).
- Para instalar el recirculador (6), taladre 2 orificios adicionales en la pared. Utilice la plantilla que va incluida en el kit de recirculación para que la posición sea correcta.
- Fije el recirculador (6) a la pared con dos juegos de tornillos largos (8) y tacos (9) (fig. 19).
- Conecte el conducto de extracción por debajo del recirculador (6).
- Siga el paso 5 del subcapítulo Instalación de la campana extractora en la pared (*Función de extracción*).





- Extraiga los filtros de grasa y coloque los filtros de carbón en los dos laterales del ventilador motor. Vuelva a montar los filtros de grasa (fig. 20).

Modo de funcionamiento

- Pulse uno de los botones de velocidad (• / •• / •••) para encender el aparato.

Botón	Función
o	Pulse el botón o para apagar el aparato (el piloto está iluminado cuando el aparato está encendido).
•	Pulse el botón • para una velocidad baja.
••	Pulse el botón •• para una velocidad media.
•••	Pulse el botón ••• para una velocidad alta.
☀	Pulse el botón ☀ para encender las luces. Vuélvalo a pulsar para apagar las luces.

Para un rendimiento óptimo

NOTA

El uso continuado de la campana extractora mientras cocina contribuye a mantener la cocina cómoda y con menos humedad.

También reduce los olores de la comida y la humedad que mancha y crea la necesidad de limpiar con frecuencia.

- Encienda la campana extractora antes de empezar a cocinar.
- Limpie los filtros con frecuencia (consulte la sección de debajo *Limpieza y mantenimiento*)
- Utilice la velocidad baja cuando haga un uso normal y una velocidad más alta para olores y gases o humos más fuertes.

Limpieza y mantenimiento

Limpieza

⚠ PELIGRO

Corte siempre el suministro eléctrico en la red durante la instalación, la limpieza y el mantenimiento, como por ejemplo, cuando cambie una bombilla.

🗨 NOTA

La eficiencia de la campana extractora depende de la limpieza de lo que entra y de los filtros. No debería dejar que se acumule la grasa en la campana ni en filtros.

- Limpie el aparato con la siguiente frecuencia:

Con regularidad	<p>Utilice un trapo blando humedecido en agua tibia con jabón suave o un detergente de limpieza del hogar. Nunca utilice estropajos metálicos, productos químicos, material abrasivo o cepillos duros para limpiar el aparato.</p>
Mensualmente	<p>Filtro metálico antigrasa: El filtro retiene la grasa, el humo y el polvo, así que afecta directamente a la eficiencia de la campana extractora. Si no se limpia, el residuo de grasa (potencialmente inflamable) saturará el filtro. Límpielo con detergente de limpieza del hogar. El filtro se puede meter en el lavavajillas.</p> <p>Recirculador: limpie las aberturas de ventilación de los lados superiores.</p>
Cada 4 - 6 meses	<p>Filtros de carbón:</p> <ul style="list-style-type: none"> • Si el modelo no tiene salida exterior, el aire será recirculado a través de los filtros de carbón desechables que contribuyen a la eliminación de humos y olores. • Los filtros de carbón no se pueden limpiar, hay que reemplazarlos con regularidad (según el uso de que se haga de la campana extractora). • NOTA: No enjuague ni coloque los filtros de carbón en un lavavajillas. • NOTA: Los filtros de carbón no vienen incluidos con la campana extractora. Por favor, llame a Frigidaire al 1.800.944.9044 para encargar este kit. Cuando llame a nuestro centro de servicio de atención al cliente, tenga preparado el número de modelo de esta campana extractora.

24 Resolución de problemas

➔ IMPORTANTE

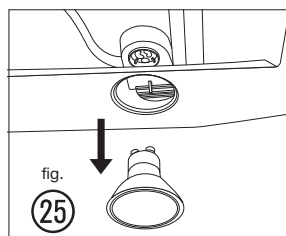
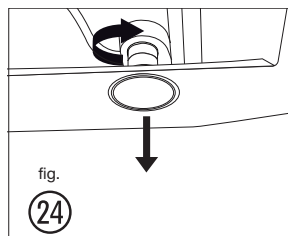
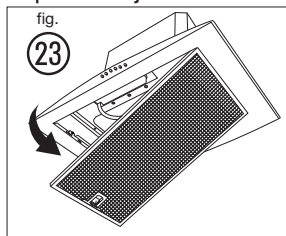
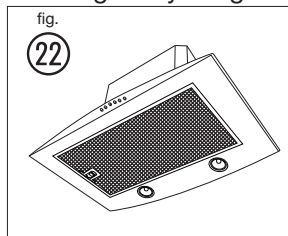
Limpie el filtro todos los meses para evitar el riesgo de incendios.

Mantenimiento

- Mantenimiento por parte del usuario – No repare ni cambie ningún componente del aparato a no ser que lo recomiende específicamente el manual. Todo el resto de servicios de mantenimiento deben ser llevados a cabo por un técnico cualificado.

Recambio de la bombilla

- Apague el aparato y desconéctelo del suministro eléctrico.
- Para cambiar la bombilla (7), hay que quitar primero el filtro metálico antigrasa.
- Tire hacia abajo de la cerradura de resorte (fig. 22).
- Rote y saque una o las dos bombillas de los soportes y cámbielas por unas nuevas del mismo tipo (GU10, 20 W, 120 V~) (fig. 23/24).
- Vuelva a colocar en su lugar el filtro metálico antigrasa y asegúrese de que encaja en su sitio.



Datos técnicos

Suministro de corriente : 120 V~, 60 Hz
 Consumo de corriente : 520 W
 Tipo de bombilla : 2x 20 W, 120 V~
 (tipo: GU10)
 Tipo de cable de corriente : 18 AWG
 (Calibre de alambre americano)
 300 V~, 105 °C

Resolución de problemas

Problema	Causa	Solución
Vibración excesiva	El aparato no está bien fijado sobre los soportes a la pared.	Baje el aparato y compruebe que está bien fijado.
	La hoja del ventilador está dañada.	Apague el aparato. La reparación debe ser llevada a cabo exclusivamente por personal de servicio cualificado.
	El motor del ventilador no está fijado con firmeza.	
La luz está encendida, pero el ventilador no funciona.	La hoja del ventilador está atascada.	Cambia la bombilla por una de la categoría correcta.
	El motor está dañado.	
Ni la luz ni el motor funcionan.	La bombilla está rota.	Compruebe la conexión eléctrica con un electricista.
	Problema con la conexión eléctrica.	
El rendimiento de la succión no es bueno.	La distancia entre el aparato y el lugar donde se cocina es demasiado grande.	Vuelva a regular la distancia (página 7, fig. 5) y tabla de abajo).
	El filtro metálico antigrasa está sucio.	Limpie los filtros (ver <i>Limpieza y mantenimiento</i>).

Protección medioambiental



Los productos eléctricos de desecho no deberían desecharse con los desperdicios del hogar. Por favor, recíclelos donde existan instalaciones para ello. Pida consejo sobre cómo reciclar a su minorista o a la autoridad local.

Información de la garantía

Su electrodoméstico está cubierto por una garantía limitada de un año. Durante un año a partir de la fecha original de compra, Electrolux cubrirá todos los costos de reparación o reemplazo de cualquier pieza de éste electrodoméstico que se encuentren defectuosas en materiales o mano de obra cuando el electrodoméstico se instala, utiliza y mantiene de acuerdo con las instrucciones proporcionadas.

Exclusiones

Esta garantía no cubre lo siguiente:

1. Productos a los que se les quitaron o alteraron los números de serie originales o que no pueden determinarse con facilidad.
2. Productos que hayan sido transferidos del dueño original a un tercero o que no se encuentren en los EE.UU. o en Canadá.
3. Óxido en el interior o exterior de la unidad.
4. Los productos comprados "previamente usados o productos de muestra" no están cubiertos por esta garantía.
5. Pérdida de alimentos por fallas del refrigerador o congelador.
6. Productos utilizados para fines comerciales.
7. Las llamadas de servicio que no involucren el funcionamiento defectuoso ni los defectos de materiales o de mano de obra, o para electrodomésticos que no sean utilizados para uso normal del hogar o de acuerdo con las instrucciones proporcionadas.
8. Llamadas de servicio para corregir errores de instalación del electrodoméstico o para instruirlo sobre el uso del mismo.
9. Gastos para facilitar el acceso al electrodoméstico para el servicio, tales como la remoción de molduras, armarios, estantes, etc. que no eran parte del electrodoméstico cuando se envió de la fábrica.
10. Llamadas de servicio para reparar o reemplazar bombillas, filtros de aire, filtros de agua, otros consumibles, perillas, manijas u otras piezas decorativas.
11. Costos adicionales que incluyen, sin limitarse, cualquier llamada de servicio fuera de las horas de oficina, durante los fines de semana o días feriados, peajes, pasajes de transporte o millaje/kilometraje para llamadas de servicio en áreas remotas, incluyendo el estado de Alaska.
12. Daños al acabado del electrodoméstico o al hogar que hayan ocurrido durante la instalación, incluyendo, sin limitarse, los armarios, paredes, etc.
13. Daños causados por: servicio realizado por compañías de servicio no autorizadas, el uso de piezas que no sean piezas genuinas Electrolux o piezas obtenidas de personas que no pertenezcan a compañías de servicio autorizado, o causas externas como abuso, mal uso, suministro eléctrico inadecuado, accidentes, incendios, hechos fortuitos or desastres naturales.

EE.UU.

1.800.944.9044

Electrolux Major Appliances

North America

10200 David Taylor Drive

Charlotte, NC 28262



Canadá

1.800.265.8352

Electrolux Canada Corp.

5855 Terry Fox Way

Mississauga, Ontario, Canada

L5V 3E4

ES

RENUNCIA DE RESPONSABILIDAD DE GARANTÍAS IMPLÍCITAS;

LIMITACIÓN DE ACCIONES LEGALES

LA ÚNICA Y EXCLUSIVA OPCIÓN DEL CLIENTE BAJO ESTA GARANTÍA LIMITADA ES LA REPARACIÓN O REEMPLAZO DEL PRODUCTO SEGÚN SE INDICA. LOS RECLAMOS BASADOS EN GARANTÍAS IMPLÍCITAS, INCLUYENDO LAS GARANTÍAS DE COMERCIALIZACIÓN O APTITUD DEL PRODUCTO PARA UN PROPÓSITO ESPECÍFICO, ESTÁN LIMITADOS A UN AÑO O AL PERÍODO MÍNIMO PERMITIDO POR LEY, PERO NUNCA MENOS DE UN AÑO. ELECTROLUX NO SERÁ RESPONSABLE POR DAÑOS CONSECUENTES O INCIDENTALES COMO POR EJEMPLO DAÑOS A LA PROPIEDAD Y GASTOS INCIDENTALES OCASIONADOS POR EL INCUMPLIMIENTO DE ESTA GARANTÍA ESCRITA O DE CUALQUIER GARANTÍA IMPLÍCITA. ALGUNOS ESTADOS Y PROVINCIAS NO PERMITEN LA EXCLUSIÓN O LIMITACIÓN DE DAÑOS INCIDENTALES O CONSECUENTES O LIMITACIONES EN LA DURACIÓN DE LAS GARANTÍAS IMPLÍCITAS, DE MANERA QUE PUEDE QUE ESTAS LIMITACIONES O EXCLUSIONES NO SE APLIQUEN EN SU CASO. ESTA GARANTÍA ESCRITA LE OTORGA DERECHOS LEGALES ESPECÍFICOS. ESO POSIBLE QUE TAMBIÉN TENGA OTROS DERECHOS QUE VARÍAN DE UN ESTADO A OTRO.

Si tiene que solicitar servicio técnico

Guarde su recibo, el comprobante de entrega o cualquier otro registro de pago adecuado para establecer el período de la garantía si llegara a requerir servicio. Si se realiza la reparación, le conviene obtener y conservar todos los recibos. El servicio realizado bajo esta garantía debe ser obtenido a través de Electrolux utilizando las direcciones o números que se indican abajo.

Esta garantía sólo se aplica en los Estados Unidos y Canadá. En los EE.UU., su electrodoméstico está garantizado por Electrolux Major Appliances North America, una división de Electrolux Home Products, Inc. En Canadá, su electrodoméstico está garantizado por Electrolux Canada Corp.

Electrolux no autoriza a ninguna persona a cambiar o agregar ninguna obligación bajo esta garantía. Nuestras obligaciones de reparación y piezas bajo esta garantía deben ser realizadas por Electrolux o compañía de servicio autorizado. Las especificaciones o características del producto según se describen o ilustran están sujetas a cambio sin previo aviso.

26 Trouver des informations

Table des matières

Veuillez lire et conserver ce manuel	26
Conservez-le à des fins de référence rapide	26
Consignes de sécurité importantes	26-28
Spécifications électriques.....	28
Conditions prévues d'utilisation	29
Pièces fournies	29
Installation de la hotte	30-34
Fonctionnement.....	35
Nettoyage et maintenance	35-36
Informations techniques	36
Dépannage.....	36
Protection de l'environnement.....	36
Informations sur la garantie	37

Veuillez lire et conserver ce manuel

Nous vous remercions d'avoir choisi **Frigidaire**, la nouvelle marque haut de gamme d'appareils ménagers. Ce manuel d'utilisation et d'entretien s'inscrit dans le cadre de notre engagement envers la satisfaction des clients et la qualité des produits pendant toute la durée de vie de votre nouvel appareil.

Votre achat représente à nos yeux le début d'une relation. Afin que nous puissions rester à votre service, veuillez utiliser cette page pour consigner toute information importante concernant le produit.

Conservez-le à des fins de référence rapide

Date d'achat

Numéro de modèle

Numéro de série



REMARQUE

L'enregistrement de votre appareil auprès de Frigidaire nous permet de mieux vous servir. Vous pouvez l'enregistrer en ligne sur le site Internet **www.frigidaire.com** ou en nous envoyant la carte d'enregistrement de votre produit par la poste.

Questions ?


Pour bénéficier du service d'assistance téléphonique sans frais aux Etats-Unis : **1-800- 944-9044** ou au Canada : **1-800-265-8352**

Pour le service d'assistance en ligne et tout renseignement sur Internet relatif à la production, visitez **http://www.frigidaire.com**

Consignes de sécurité importantes

N'essayez pas d'installer ou de faire fonctionner cet appareil avant d'avoir lu les consignes de sécurité de ce guide. Les éléments de ce manuel ayant un rapport avec la sécurité sont signalés par les inscriptions **Danger**, **Avertissement** ou **Attention** selon le type de risque.

Définitions

 Ceci est un symbole d'alerte de sécurité. Il permet de vous avertir de dangers potentiels de blessures personnelles. Conformez-vous à tous les messages de sécurité qui suivent ce symbole afin d'éviter une situation pouvant entraîner des blessures ou la mort.



DANGER

DANGER indique une situation dangereuse imminente qui, si elle n'est pas évitée, peut entraîner la mort ou des blessures graves.



AVERTISSEMENT

AVERTISSEMENT indique une situation potentiellement dangereuse qui, si elle n'est pas évitée, peut entraîner la mort ou des blessures graves.

ATTENTION

ATTENTION indique une situation potentiellement dangereuse qui, si elle n'est pas évitée, peut entraîner des blessures mineures ou légères.

Consignes de sécurité importantes

IMPORTANT

Indique une information importante mais non liée à un danger, relative à l'installation, au fonctionnement ou à la maintenance.

Sécurité des enfants

Matériaux d'emballage :

- Les cartons recouverts d'un tapis, d'un couvre-lit ou d'une feuille de plastique peuvent former une chambre étanche et faire suffoquer un enfant.
- Retirez le film de protection qui recouvre l'appareil avant de le mettre en service.
- Détruisez ou recyclez le carton de l'appareil, les sacs en plastique, ainsi que tout autre matériau d'emballage externe immédiatement après avoir déballé l'appareil. Les enfants ne doivent jamais jouer avec ces articles.



Danger de suffocation !

IMPORTANT

LISEZ ATTENTIVEMENT CES INSTRUCTIONS AVANT D'INSTALLER ET D'UTILISER CE MATÉRIEL.

L'INSTALLATION DOIT SE CONFORMER A TOUTES LES RÉGLEMENTATIONS LOCALES.

IMPORTANT : Conservez ces instructions pour l'inspecteur électrique.

INSTALLATEUR : Remettez les instructions de l'appareil au propriétaire.

PROPRIÉTAIRE : Conservez ces instructions pour consultation ultérieure.

DANGER

Coupez toujours l'électricité au niveau du secteur pendant l'installation et la maintenance, par exemple lors du remplacement d'une ampoule.

AVERTISSEMENT

Afin de réduire le risque d'incendie, de choc électrique ou de blessures corporelles, suivez ces instructions :

- **POUR UTILISATION RÉSIDENIELLE UNIQUEMENT.**
- Utilisez uniquement cet appareil dans le cadre prévu par le fabricant. Si vous avez des questions, veuillez contacter le fabricant.
- La pose de la hotte et les travaux d'électricité doivent être effectués par des personnes qualifiées en respectant tous les codes & normes applicables, y compris ceux ayant trait à la résistance au feu.
- Pour éviter les refoulements, l'apport d'air doit être suffisant de manière à brûler et à évacuer, par le conduit de fumée (cheminée), les gaz produits par les appareils à combustibles. Respectez les directives du fabricant de l'appareil de chauffage et les normes de sécurité, notamment celles publiées par la National Fire Protection Association (NFPA), la American Society for Heating, les Refrigeration and Air Conditioning Engineers (ASHRAE) et les codes des autorités locales.
- Lors de la découpe ou du perçage d'un mur ou d'un plafond, veillez à ne pas endommager le câblage électrique ou d'autres équipements non apparents (ex. conduites de gaz).
- Les systèmes d'évacuation doivent toujours décharger l'air à l'extérieur.

AVERTISSEMENT

- Avant d'entretenir ou de nettoyer l'appareil, coupez le courant au niveau de la boîte à fusible et verrouillez cette dernière pour éviter qu'on remette le courant accidentellement. Lorsque la boîte à fusible ne peut être verrouillée, appliquer un message d'avertissement bien visible sur cette dernière.

ATTENTION

Pour ventilation générale uniquement. NE L'UTILISEZ PAS pour aspirer des matières ou des vapeurs dangereuses ou explosives.

28 Consignes de sécurité importantes

ATTENTION

Pour réduire le risque d'incendie et évacuer correctement l'air, veillez à acheminer l'air aspiré par un conduit jusqu'à l'extérieur (pas dans un grenier, sous la maison, dans un garage ou dans un espace fermé).

Consignes de sécurité importantes

AVERTISSEMENT

Pour réduire les risques d'incendie, utilisez seulement des conduits en acier. Installez cette hotte en respectant toutes les exigences spécifiées.

AVERTISSEMENT

Afin de réduire le risque d'incendie ou de choc électrique, ne raccordez aucun type de variateur de vitesse à semi-conducteurs externe à votre hotte.

AVERTISSEMENT

Pour réduire le risque d'incendie d'un plan de cuisson :

- Ne laissez jamais les unités de la surface sans surveillance lors de températures élevées. Les ébullitions provoquent de la fumée et des débordement qui peuvent prendre feu. Chauffez les huiles lentement sur les degrés bas et moyen.
- Mettez toujours la hotte n FONCTION (ON) lorsque vous cuisez à température élevée ou lorsque vous cuisinez des plats flambés (c'est à dire Crêpes Suzette, Cherries Jubilee, Peppercorn Beef Flambé).

AVERTISSEMENT

- Nettoyez fréquemment les ventilateurs. Ne laissez pas la graisse s'accumuler sur le ventilateur ou le filtre.
- N'utilisez pas la hotte sans les filtres à graisse, ou si les filtres sont trop gras.
- Utilisez des casseroles de dimension appropriée. Utilisez toujours une batterie de cuisine adaptée à la dimension des éléments de surface.

AVERTISSEMENT

NE SOULEVEZ JAMAIS UNE CASSEROLE EN FLAMMES – vous pourriez vous brûler.

AVERTISSEMENT

Observez les consignes suivantes de manière à réduire les risques de blessures corporelles en cas d'incendie causé par de la graisse sur le plan de cuisson :

- Étouffez les flammes à l'aide d'un couvercle étanche, d'une tôle à biscuits ou d'un plateau en métal puis éteignez le brûleur. Faites attention de ne pas vous brûler. Si les flammes ne s'éteignent pas immédiatement, quittez les lieux et appelez le service des incendies.
- Ne soulevez jamais une casserole en flammes – vous pourriez vous brûler.
- N'utilisez pas d'eau, ni de linges ou de serviettes mouillés – une violente explosion de vapeur pourrait survenir.
- Utilisez un extincteur uniquement si :
 - Vous savez qu'il est de classe ABC et vous connaissez déjà son mode de fonctionnement.
 - L'incendie n'est pas très important et ne se propage pas.
 - Vous avez déjà appelé les pompiers.
 - Vous pouvez combattre l'incendie en faisant dos à une sortie.

ATTENTION

Laissez toujours les grilles de sécurité et les filtres en place. Sans la présence de ces derniers, les parties aspirantes pourraient attirer les cheveux, les doigts ou les vêtements.

Spécifications électriques

IMPORTANT

Respectez l'ensemble des codes et ordonnances en vigueur.

Il est de la responsabilité du client de :

- contacter un installateur électrique qualifié.
- de veiller à ce que l'installation électrique soit adéquate et conforme au National Electrical Code, ANSI/NFPA 70, ou au CSA Standards C22.1-94, Canadian Electrical Code, Part 1 and C22.2 No.0-M91-latest edition**, ainsi qu'à tous les codes et ordonnances locaux.

Si le code le permet et que vous utilisez un fil de mise à la terre distinct, il est recommandé de faire vérifier le chemin du fil par un électricien.

- Ne pas mettre à la terre à une conduite de gaz.
- Consultez un électricien qualifié si vous n'êtes pas certain que la hotte est mise à la terre correctement.
- N'installez pas un fusible dans le circuit neutre ou le circuit de mise à la terre.



IMPORTANT

Conservez les instructions d'installation pour l'inspecteur électrique.

La hotte doit être connectée uniquement avec du fil en cuivre.

Il faut raccorder la hotte directement à une boîte à fusible ou à un disjoncteur par l'entremise d'une canalisation électrique en métal.

Le calibre de fil doit être conforme aux exigences du National Electrical Code ANSI/NFPA 70 (dernière édition), ou du CSA Standards C22.1-94, Canadian Electrical Code Part 1 and C22.2 No.0-M91 – (dernière édition**), ainsi qu'à tous les codes et ordonnances locaux.

Il faut prévoir un connecteur de canalisation approuvé par l'UL ou la CSA à chaque extrémité de la canalisation d'alimentation (À la hotte et à la boîte de jonction).

Vous pouvez obtenir un exemplaire des normes indiquées en vous adressant à :

* La National Fire Protection Association
Batterymarch Park Quincy, Massachusetts 02269

** La CSA International 8501 East Pleasant Valley Road Cleveland, Ohio 44131-5575

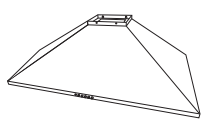
Alimentation :

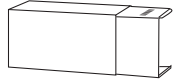
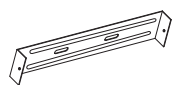
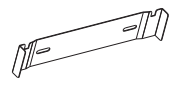

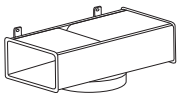
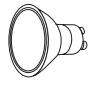



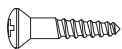


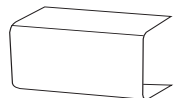

120 V~, 60 Hz, 15 ou circuit de dérivation 20 A

Conditions prévues d'utilisation

- Votre hotte est uniquement prévue pour l'aspiration. Cette hotte n'est pas recommandée pour l'utilisation sur des grills internes. Ne l'utilisez pas pour aspirer des matières ou des vapeurs dangereuses ou explosives.

Pièces fournies

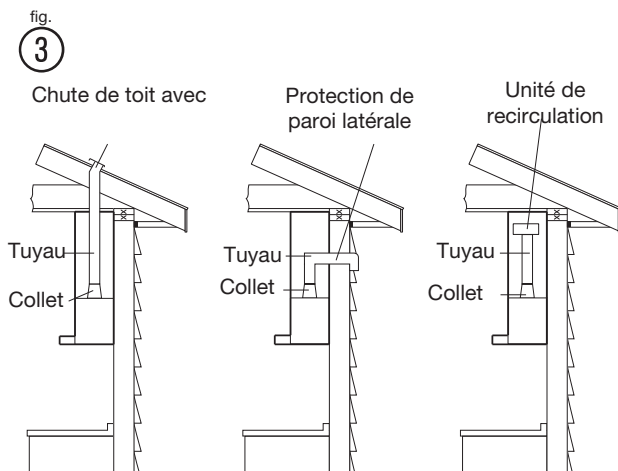
N°	Pièce	Qté
1	 Hotte de cuisine	1

2		Cheminée inférieure et cheminée supérieure	1 + 1
3		Bride supérieure	1
4		Bride inférieure	1
5		Collet	1
6		Kit de recirculation (accessoires en option) FHWRKT55LS	1
7		Ampoule 20 W, 120 V~, GU10 (pré-assemblée)	2
8		Longue-vis (4 mm x 32 mm)	8
9		Prise murale	8
10		Vis courte (4 mm x 12 mm)	4
11		Vis à bois (4 mm x 50 mm)	4
12		Vis en acier inoxydable (3,5 mm x 10 mm)	2
13		Vis courte (3,5 mm x 8 mm)	2
14		Kit de cheminée d'extension 10' (accessoires optionnels) FHW10X55LS	1
15		Modèle de montage (au pochoir)	1

possibles.

- Utilisez un conduit circulaire adéquat de 6".
- Les conduits métalliques circulaires flexibles doivent être utilisés uniquement lorsqu'il n'existe aucune autre possibilité de conduit. Limitez l'utilisation à de courts tronçons et soyez attentif à ne pas écraser le flexible lors des courbures.

Exemples de conduits ou de recirculation de l'air possibles



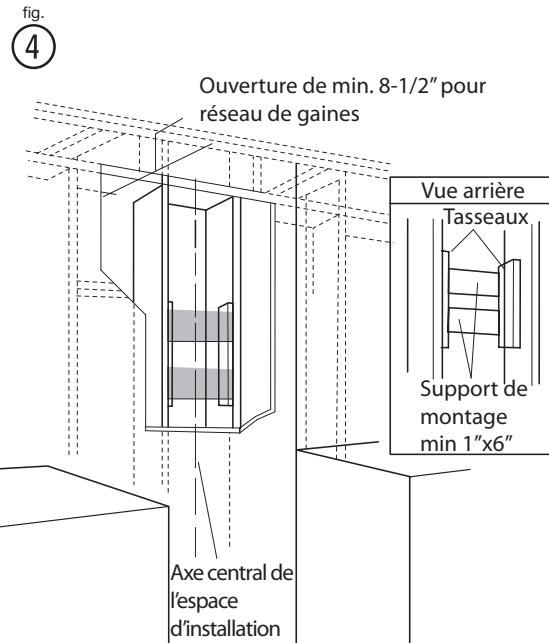
Installation de la hotte au mur (fonctionnement de l'aspiration)

→ IMPORTANT

La hotte est très lourde. Une structure et un support adéquats sont indispensables pour tous les types d'installation.

Installation de la charpente de la hotte

- En cas de mur sec, marquez les emplacements des trous de vis.
- Enlevez suffisamment de mur sec pour exposer 2 montants verticaux à l'emplacement des trous indiqué sur le modèle. Installez deux supports horizontaux d'au moins 1" x 6" entre les montants de mur au bas et au haut de l'emplacement d'installation des trous de montage supérieurs (fig. 4).
- Le support horizontal doit être à la même hauteur que le côté de la chambre des montants. Utilisez des tasseaux derrière les deux côtés du support pour fixer les montants du mur.
- Réinstallez la cloison sèche et effectuez la finition.



→ IMPORTANT

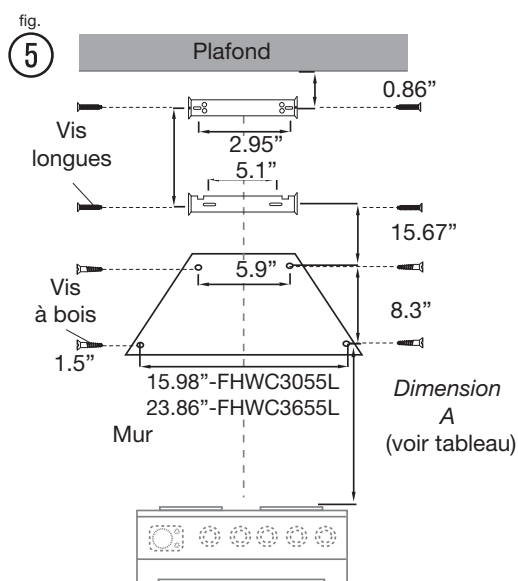
La charpente doit être en mesure de supporter une charge de 100 livres (45 kg).

Étape 1 :

- Veillez à n'endommager aucun câble ou tuyau (par exemples conduits d'eau, de gaz, électriques ; testez les zones possibles avec un détecteur de câbles).
- En utilisant le modèle fourni (15), marquez et percez 8 trous dans le mur. Percez les trous selon les distances mesurées à partir du diagramme (fig. 5).
- Bride supérieure/inférieure (3, 4) : insérez 4 prise murales (9) dans les 4 trous percés.
- Hotte (1) : L'installation dépend du type de mur :

Type de mur	Attaches nécessaires
Bois	Aucune prise murale (9) nécessaire
Briques/béton	4 prises murales (9)

32 Installation de la hotte



Distance souhaitée d'une hotte au dessus d'un plan de cuisson de 36'' de hauteur

	Hauteur du plafond		
	8 pieds	9 pieds	10 pieds *1
	A*2	A*2	A*2
26''*3	27-5/16''		
27''*3	28-5/16''	28-5/16''	
28''*3	29-5/16''	29-5/16''	29-5/16''
29''*3	30-5/16''*4	30-5/16''	30-5/16''
30''*3	31-5/16''*4	31-5/16''	31-5/16''
31''*3	32-5/16''*4	32-5/16''	32-5/16''
32''*3	33-5/16''*4	33-5/16''	33-5/16''
33''		34-5/16''	34-5/16''
34''		35-5/16''	35-5/16''
35''		36-5/16''	36-5/16''

*1 : avec un kit d'extension de cheminée de 10 pouces (non fourni) FHW10X55LS (14). Veuillez appeler Frigidaire au 1.800.944.9044 pour commander ce kit.

*2 : « Dimension A » sur la carte représente la hauteur depuis le haut du plan de cuisson jusqu'à l'emplacement des vis de montage inférieures.

*3 : Hauteur de montage recommandée.

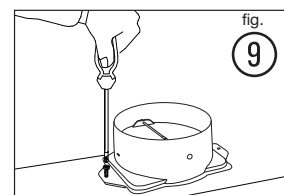
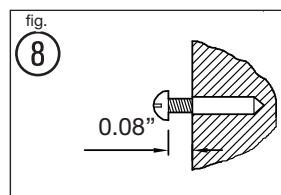
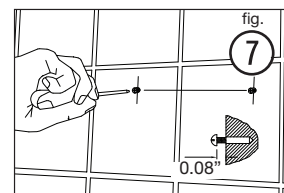
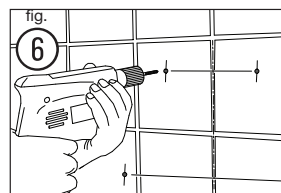
*4 : Le kit de recirculation ne peut pas être installé.

Étape 2 :

- Installez la hotte (1) avec des vis à bois ou des longues-vis selon le type de mur :

Type de mur	Vis nécessaires
Bois	4 vis à bois (11)
Briques/béton	Briques/béton (8)

- Insérez 2 vis (8 ou 11) en haut, mais ne les insérez pas entièrement (fig. ⑧). Montez la hotte (1) au mur et serrez les vis. Insérez et serrez les 2 vis restantes au bas de la hotte (fig. ⑥/⑦).
- Attachez le collet (5) à la hotte (1). Fixez à l'aide de 2 vis courtes (8) (fig. ⑨).

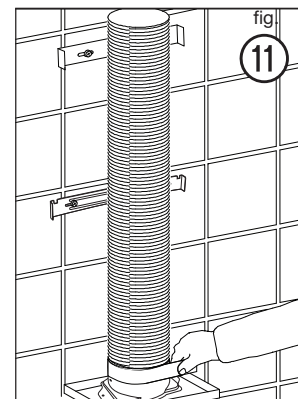
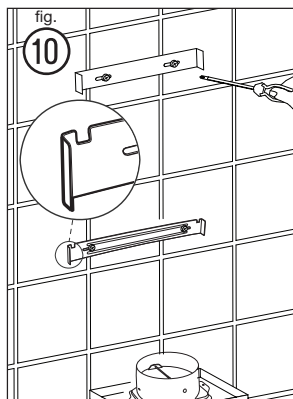


REMARQUE

Il arrive que de l'adhésif éponge recouvre les trous. Si les trous sont situés derrière de l'adhésif éponge, insérez simplement la vis à travers l'adhésif éponge.

Étape 3 :

- Montez les brides supérieures et inférieure (3, 4) sur le mur. Fixez à l'aides 4 jeux de vis longues restantes (8). Les encoches de la bride inférieure doivent faire face au plafond (fig. ⑩).
- Attachez le conduit d'évacuation. Dans l'exemple ci-dessous, un tuyau d'évacuation des fumées avec conduit métallique circulaire a été utilisé. La connexion étanche du conduit d'évacuation peut ensuite être améliorée avec du ruban adhésif. Cela garantit une étanchéité totale et qu'aucune vapeur de graisse ne s'échappera du conduit (fig. ⑪).



Connexions électriques

⚠ IMPORTANT

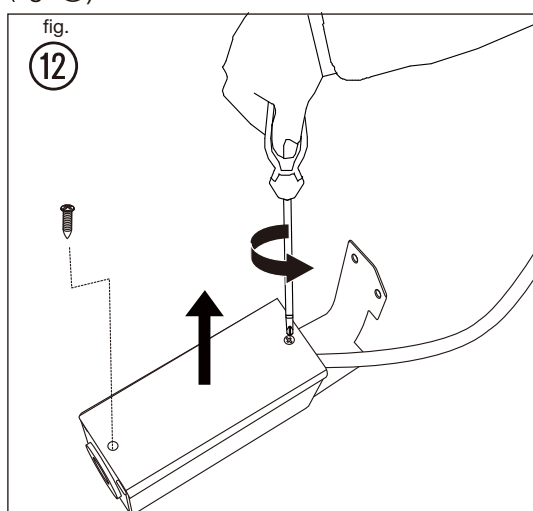
Danger de choc électrique ! Tous les raccordement doivent être effectués par une personne compétente en se conformant aux réglementations locales en vigueur en matière de câblage et de construction. En cas de doute, consultez un électricien qualifié.

➔ IMPORTANT

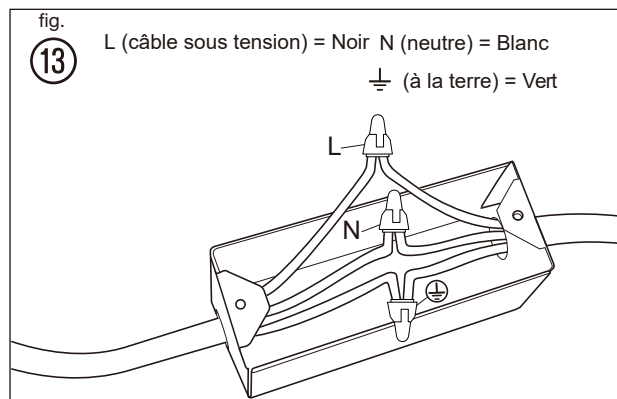
Coupez toujours l'électricité au niveau du secteur pendant l'installation et la maintenance, par exemple lors du remplacement d'une ampoule. Il est recommandé de retirer le fusible ou de couper le disjoncteur du tableau de distribution.

Étape 4 :

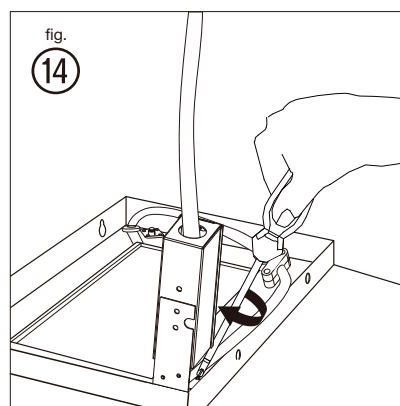
- Desserrez les 2 vis courtes de la boîte de jonction (fig. 12).



- Connectez les câbles positif, neutre et à la terre aux terminaux respectifs. Le câble à la terre est déjà pré-assemblé à la boîte de jonction pour la mise à la terre (fig. 13).

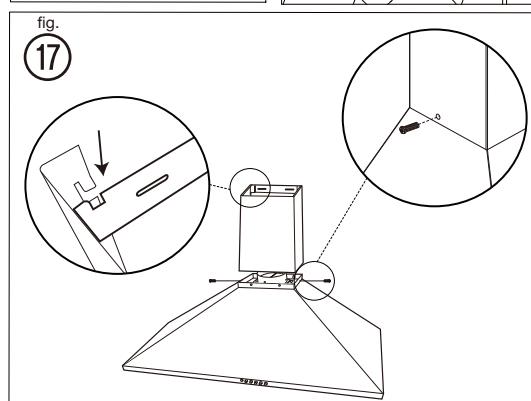
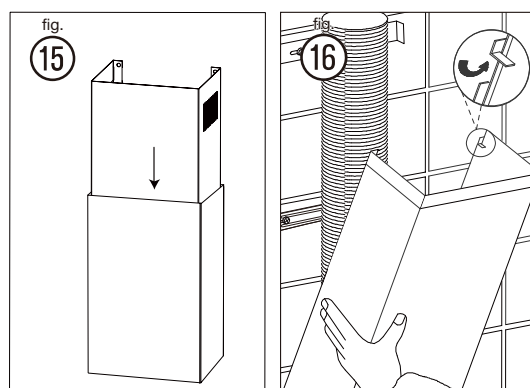


- Montez la boîte de jonction sur la hotte à l'aide de 2 vis courtes (13) (fig. 14).



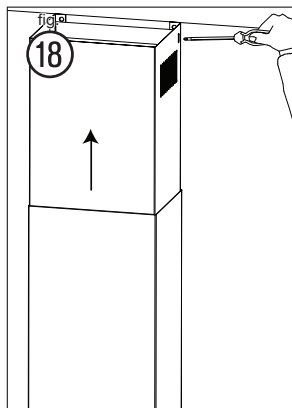
Étape 5 :

- Insérez la cheminée supérieure (2) dans la cheminée inférieure (3) du haut vers le bas (fig. 15).
- Montez la cheminée inférieure (2) sur la hotte (1).
- Placez la patte, qui a une inclinaison de 90 degrés, dans la bride inférieure et montez le trou de vis sur la bride inférieure (4) (fig. 16/17).
- Fixez-la avec 2 vis (12) (fig. 17).



- Tirez la cheminée supérieure (2) vers le haut afin qu'elle corresponde au trou de la vis de la bride supérieure. Montez la bride supérieure (3) à l'aide de 2 vis latérales (10) (fig. 18).

34 Installation de la hotte



⚠ ATTENTION

Risque de blessure. Certains angles de la hotte sont pointus.

⚠ Fonctionnement de l'évacuation

- Lors de l'évacuation, la hotte enlève l'air de la pièce. Si d'autres sources de feu nécessitant l'air environnant pour leur combustion fonctionnent dans la même pièce (par exemple appareil de chauffage au gaz, à l'huile, au charbon), l'oxygène dont ils ont besoin est retiré. Les flammes pourraient alors être étouffées et du gaz pourrait s'échapper, ou les fumées pourraient revenir dans la pièce.
- Afin de garantir un fonctionnement sûr, les portes et les fenêtres doivent être équipées d'ouvertures qui ne peuvent pas être fermées, afin d'assurer un approvisionnement frais d'air de combustion. Cela empêche les fumées issues des combustions de revenir dans la pièce.
- Lorsque de l'estimation des mesures nécessaires, prenez toujours en compte l'ensemble du système de ventilation de la maison.
- Ne fixez jamais la hotte à un conduit de ventilation, à une pièce ou à une cheminée sur bouclier. Ne laissez pas l'air extrait de la pièce se propager dans un conduit dans lequel de l'air chaud circule. L'air extrait doit être uniquement déchargé vers l'extérieur par un conduit d'évacuation séparé destiné uniquement à la hotte d'aspiration.
- En mode extraction, l'air de la pièce est enlevé par la hotte. Veillez à ce que les mesures de ventilation adéquates soient toujours prises. La hotte supprime les odeurs de la pièce mais pas la vapeur.
- La pièce doit être suffisamment ventilée lorsque la hotte est utilisée en même temps que d'autres appareils brûlant du gaz ou d'autres combustibles (ne s'applique pas aux appareils qui déchargent l'air uniquement dans la pièce).

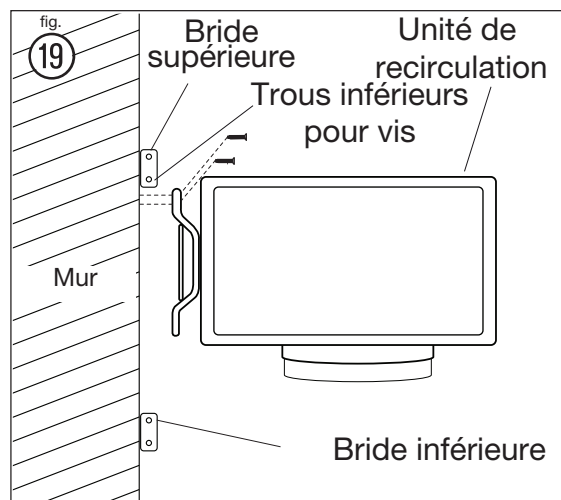
- L'air ne doit pas être déchargé dans un conduit utilisé pour évacuer les fumées provenant d'appareils de combustion de gaz ou d'autres combustibles (ne s'applique pas aux appareils qui déchargent l'air uniquement dans la pièce).

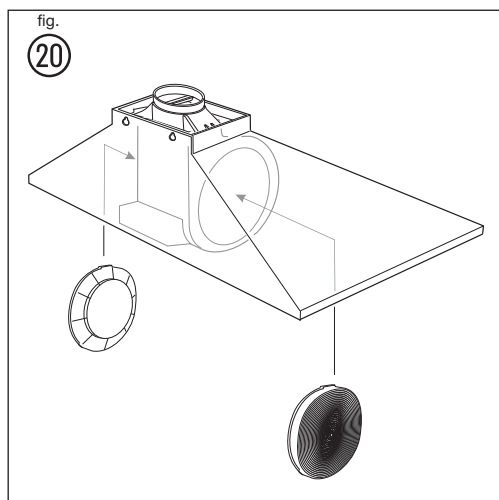
Fonctionnement de la recirculation de l'air

- **Air de recirculation** : Les fumées de la cuisine sont supprimées, et après avoir été purifiées elles sont à nouveau injectées dans la pièce par les ouvertures de la ventilation supérieure. La purification s'effectue au moyen du filtre à graisse en métal. Il n'est pas nécessaire de pratiquer une percée dans le mur pour la recirculation de l'air.

Installation de la hotte au mur en mode recirculation

- Le fonctionnement de la hotte en mode recirculation nécessite une unité de recirculation, modèle no. FHWRKT55LS. Veuillez appeler Frigidaire au 1.800.944.9044 pour commander ce kit.
- Suivez les étapes 1 à 4 du chapitre *Installation de la hotte au mur (Aspiration)*.
- Pour installer l'unité de recirculation (6), percez 2 trous supplémentaires dans le mur. Utilisez le modèle compris dans le kit de recirculation pour pouvoir la positionner correctement.
- Fixez l'unité de recirculation (6) au mur au moyen de 2 jeux de vis longues (8) et de prises murales (9) (fig. 19).
- Attachez la conduite d'évacuation d'air au bas de l'unité de recirculation (6).
- Suivez l'étape 5 du sous chapitre *Installation de la hotte au mur (Aspiration)*.





- Retirez les filtres à graisse et posez des filtres à charbon sur les deux côtés latéraux de la soufflerie à moteur. Remettez en place les filtres à graisse (fig. 20).

Fonctionnement

- Appuyez sur un des boutons de vitesse (• / •• / •••) pour mettre l'appareil sous tension.

Bouton	Fonction
○	Appuyez sur le bouton ○ pour éteindre l'appareil (la lampe témoin est allumée lorsque l'appareil est en fonction).
•	Appuyez sur le bouton • pour une vitesse faible.
••	Appuyez sur le bouton •• pour une vitesse moyenne.
•••	Appuyez sur le bouton ••• pour une vitesse élevée.
☀	Appuyez sur le bouton ☀ pour allumer les lumières. Appuyez à nouveau sur ce bouton pour éteindre les lumières.

Pour un meilleur rendement

REMARQUE

L'utilisation continue de la hotte pendant la cuisson permet de rendre la cuisine confortable et moins humide.

Cela réduit également les odeurs de cuisson et l'accumulation de graisses qui obligent à nettoyer fréquemment.

- Mettez la hotte en route avant de commencer la cuisson.
- Nettoyez régulièrement les filtres (voir **Nettoyage et maintenance** ci-dessous).
- Utilisez une vitesse faible pour une utilisation normale et une vitesse plus élevée pour les odeurs ou les fumées intenses.

Nettoyage et maintenance

Nettoyage

⚠ DANGER

Coupez toujours l'électricité au niveau du secteur pendant l'installation et la maintenance, par exemple lors du remplacement d'une ampoule.

REMARQUE

L'efficacité de la hotte dépend de la propreté de l'admission et des filtres. Ne laissez pas la graisse s'accumuler sur la hotte ou le filtre.

- Nettoyez l'appareil à la fréquence suivante :

Régulièrement	Utilisez un chiffon doux humidifié avec de l'eau légèrement savonneuse ou un détergent de nettoyage ménager. N'utilisez jamais de tampons métalliques, de matériaux chimiques, abrasifs, ou de brosse à poils durs pour nettoyer l'appareil.
Une fois par mois	<p>Filtre métallique à graisse : Le filtre recueille la graisse, la fumée et la poussière, et il a donc un impact direct sur l'efficacité de la hotte. Si le filtre n'est pas nettoyé, le résidu de graisse (potentiellement inflammable) sature le filtre. Nettoyez-le avec du détergent de nettoyage ménager. Le filtre peut être mis au lave-vaisselle.</p> <p>Unité de recirculation : nettoyez les ouvertures de ventilation au sommet.</p>
tous les 4 à 6 mois	<p>Filtres à charbon :</p> <ul style="list-style-type: none"> Si le modèle n'est pas déchargé vers l'extérieur, l'air recircule à travers les filtres à charbon jetables qui aident à supprimer la fumée et les odeurs. Les filtres à charbon ne peuvent pas être nettoyés, ils doivent être remplacés régulièrement (en fonction de l'utilisation de la hotte). REMARQUE : Ne rincez pas et ne mettez pas les filtres à charbon dans un lave-vaisselle. REMARQUE : Les filtres à charbon ne sont pas fournis avec la hotte. Veuillez appeler Frigidaire au 1.800.944.9044 pour commander ce kit. Lorsque vous appelez notre service clientèle, ayez toujours à portée de main le numéro de modèle de votre hotte.

36 Dépannage

➔ IMPORTANT

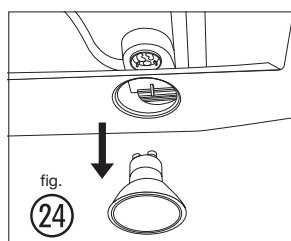
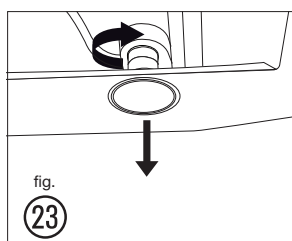
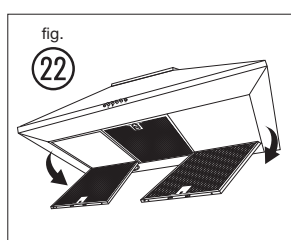
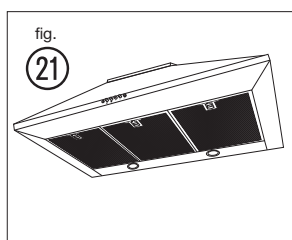
Nettoyez le filtre une fois par mois pour éviter les risques d'incendie.

Maintenance

- Entretien par l'utilisateur – Ne réparer et ne remplacez aucune pièce de l'appareil sauf indication contraire dans le guide. Toutes les autres opérations d'entretien doivent être confiées à un technicien qualifié.

Remplacement des ampoules

- Éteignez l'appareil et débranchez l'alimentation.
- Vous devez tout d'abord retirer le filtre à graisse en métal pour remplacer l'ampoule (7).
- Tirez la serrure vers le bas (fig. 22).
- Pivotez et sortez une ampoule ou les deux de son/leur support, et remplacez-la/les par une/des nouvelle(s) ampoule(s) du même type (GU10, 20 W, 120 V~) (fig. 23/24).
- Remettez le filtre à graisse en métal à sa place et vérifiez s'il est bien fixé.



Informations techniques

Alimentation	:	120 V~, 60 Hz
Consommation d'énergie	:	520 W
Type d'ampoule	:	2x 20 W, 120 V~ (type : GU10)
Câble d'alimentation	:	18 AWG (Amer. Wire Gauge) 300 V~, 105 °C

Dépannage

Problème	Cause	Solution
Vibrations excessives.	L'appareil n'est pas fixé correctement aux brides.	Descendez l'appareil et vérifiez s'il est correctement fixé.
	Le ventilateur est endommagé.	Éteignez l'appareil. Les réparations doivent être effectuées uniquement par du personnel qualifié.
	Le moteur du ventilateur n'est pas fixé correctement.	
La lumière est allumée, mais le ventilateur ne fonctionne pas.	Le ventilateur est bouché.	Remplacez-la par une ampoule de la bonne puissance.
	Le moteur est endommagé.	
La lumière et le ventilateur ne fonctionnent pas.	L'ampoule est cassée.	Vérifiez la connexion électrique avec un électricien.
	Problème de connexion électrique.	
L'aspiration n'est pas bonne.	La distance entre l'appareil et la zone de cuisson est trop grande.	Réajustez la distance (page 7, fig. 5 et tableau ci-dessous).
	Le filtre métallique à graisse est sale.	Nettoyez les filtres (voir <i>Nettoyage et maintenance</i>).

Protection de l'environnement



Les déchets électriques ne doivent pas être éliminés avec les déchets ménagers. Lorsque les infrastructures existent, recyclez les déchets. Renseignez-vous auprès des autorités locales ou de votre revendeur pour obtenir des informations à ce sujet.

Informations sur la garantie

Votre appareil est couvert par une garantie limitée d'un an. Pendant un an à partir de la date d'achat originale, Electrolux assumera les coûts des réparations ou du remplacement des pièces de cet appareil qui présente un défaut de fabrication ou de matériau, si cet appareil est installé, utilisé et entretenu selon les instructions fournies avec celui-ci.

Exclusions

Cette garantie ne couvre pas ce qui suit :

1. Les produits dont le numéro de série original a été enlevé, modifié ou qui n'est pas facilement déterminable.
2. Les produits qui ont été transférés de leur propriétaire initial à une autre partie ou qui ne sont plus aux États-Unis ou au Canada.
3. La rouille à l'intérieur ou à l'extérieur de l'appareil.
4. Les produits vendus « tels quels » ne sont pas couverts par cette garantie.
5. Les aliments perdus en raison de pannes du réfrigérateur ou du congélateur.
6. Les produits utilisés dans les établissements commerciaux.
7. Les appels de service qui ne concernent pas un malfonctionnement, un défaut de fabrication ou un vice de matériau ou pour les appareils qui ne font pas l'objet d'un usage domestique ou qui ne sont pas utilisés conformément aux instructions fournies.
8. Les appels de service pour vérifier l'installation de votre appareil ou pour obtenir des instructions sur la façon d'utiliser votre appareil.
9. Les frais qui rendent l'appareil accessible pour une réparation, par exemple enlever des garnitures, les armoires, les étagères, etc. qui ne faisaient pas partie de l'appareil lorsqu'il a quitté l'usine.
10. Les appels de service au sujet de la réparation ou du remplacement des ampoules, des filtres à air, des filtres à eau, d'autre matériel ou des boutons, poignées ou autres pièces esthétiques.
11. Les frais supplémentaires, y compris, sans s'y limiter, les appels de service après les heures normales de bureau, le week-end ou les jours fériés, les droits et péages, les frais de voyage ou les frais de déplacement pour les appels de service dans des endroits isolés, notamment l'État de l'Alaska.
12. Les dommages causés au fini de l'appareil ou à la maison pendant l'installation, y compris, sans s'y limiter, aux planchers, aux armoires, aux murs, etc.
13. Les dommages causés par : des réparations faites par des techniciens non autorisés; l'utilisation de pièces autres que les pièces Electrolux d'origine qui n'ont pas été obtenues par l'entremise d'un réparateur autorisé; ou les causes étrangères comme l'abus, l'alimentation électrique inadéquate ou les cas de force majeure.

USA
1.800.944.9044
Electrolux Major Appliances
North America
10200 David Taylor Drive
Charlotte, NC 28262



Canada
1.800.265.8352
Electrolux Canada Corp.
5855 Terry Fox Way
Mississauga, Ontario, Canada
L5V 3E4

FR

AVIS DE NON-RESPONSABILITÉ SUR LES GARANTIES IMPLICITES ;

LIMITATIONS DES RECOURS

L'UNIQUE RECOURS DU CLIENT EN VERTU DE CETTE GARANTIE LIMITÉE EST LA RÉPARATION OU LE REMPLACEMENT DU PRODUIT COMME DÉCRIT PRÉCÉDEMMENT. LES DEMANDES BASÉES SUR DES GARANTIES IMPLICITES, Y COMPRIS LES GARANTIES IMPLICITES DE QUALITÉ MARCHANDE ET D'ADAPTATION À UN USAGE PARTICULIER SONT LIMITÉES À AU MOINS UN AN OU À LA PÉRIODE LA PLUS COURTE PERMISE PAR LA LOI. ELECTROLUX NE SERA PAS TENUE RESPONSABLE DES DOMMAGES DIRECTS OU INDIRECTS NI DES DOMMAGES MATÉRIELS ET DES DÉPENSES IMPRÉVUES RÉSULTANT D'UNE VIOLATION DE CETTE GARANTIE ÉCRITE OU DE TOUTE AUTRE GARANTIE IMPLICITE. CERTAINS ÉTATS ET CERTAINES PROVINCES NE PERMETTENT PAS DE RESTRICTION OU D'EXEMPTION SUR LES DOMMAGES DIRECTS OU INDIRECTS OU DE RESTRICTION SUR LES GARANTIES IMPLICITES. DANS CE CAS, CES RESTRICTIONS OU EXEMPTIONS POURRAIENT NE PAS ÊTRE APPLICABLES. CETTE GARANTIE ÉCRITE VOUS PROCURE DES DROITS LÉGAUX SPÉCIFIQUES. IL SE PEUT QUE VOUS AYEZ D'AUTRES DROITS QUI VARIENT SELON L'ÉTAT OU LA PROVINCE.

Si vous avez besoin d'une réparation

Conservez votre reçu, votre bon de livraison ou une autre preuve valide de paiement pour établir la période de la garantie dans le cas où vous devriez faire appel aux services d'un technicien autorisé. Si une réparation doit être effectuée, veuillez obtenir et conserver tous les reçus. Le service auquel vous avez recours en vertu de cette garantie doit être obtenu en communiquant avec Electrolux à l'adresse ou aux numéros de téléphone indiqués ci-dessous.

Cette garantie n'est valide qu'aux États-Unis et au Canada. Aux États-Unis, votre appareil est garanti par Electrolux Major Appliances North America, une division de Electrolux Home Products, Inc. Au Canada, votre appareil est garanti par Electrolux Canada Corp. Personne n'est autorisé à modifier ou à ajouter aux obligations contenues dans cette garantie. Les obligations de cette garantie concernant la réparation et les pièces doivent être remplies par Electrolux ou par une compagnie de réparation autorisée. Les caractéristiques et spécifications décrites ou illustrées peuvent être modifiées sans préavis.