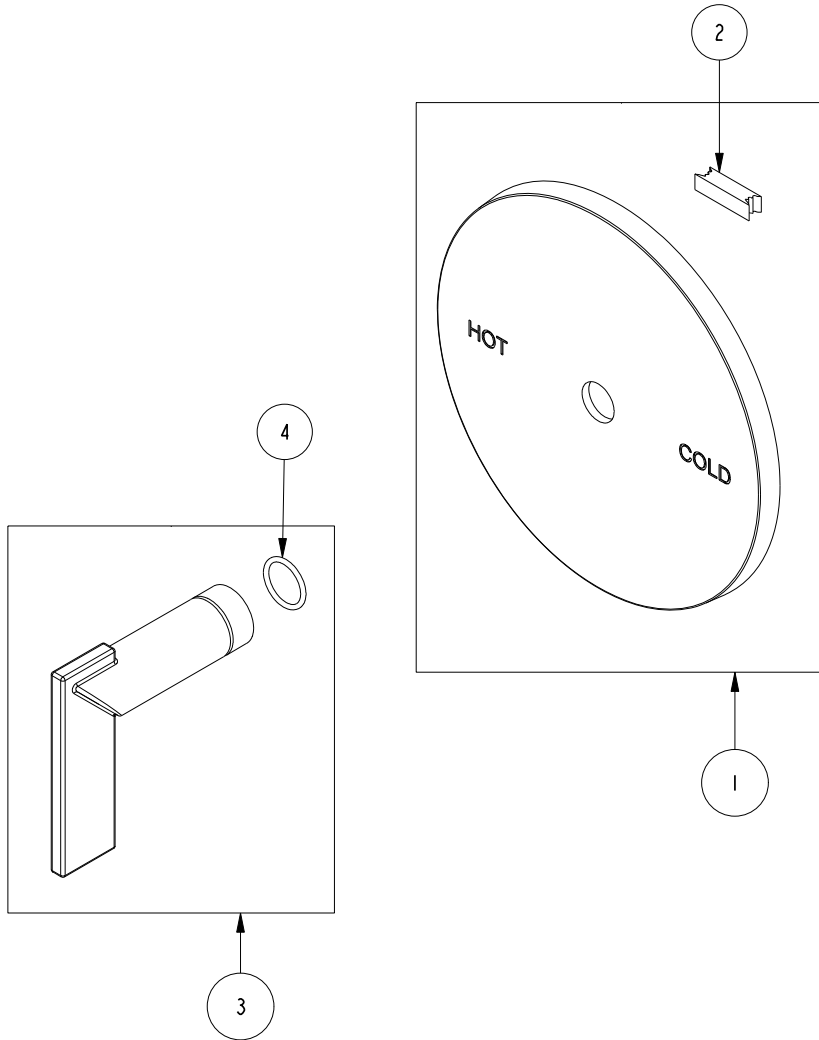


# REPLACEMENT PARTS

ITEM	PT/ASSY	SPECIFY FINISH	DESCRIPTION
1	20-502	YES	BP SHOWER PLATE ASM
2	H-78		TAPE NEO
3	20-300	YES	LEVER ASM
4	91020		O-RING, #2-016, EPDM, 65-75 DURO, NSF 61



**BIP SHOWER TRIM**  
**4-2494BP**

REV G EN-4843 07/10/24

**NEWPORT BRASS.**

t: 949.417.5207 | [www.newportbrass.com](http://www.newportbrass.com)