

Towel Ring 1121

Features

- Solid brass construction
- Single-post, horizontal design with hanging, open ring
- Complements Chelsea product series

Codes / Standards Compliance

Meets or exceeds the following at date of manufacture:

- All applicable US Federal and State material regulations

Colors / Finishes

- PC: Polished Chrome
- PN: Polished Nickel
- SN: Satin Nickel



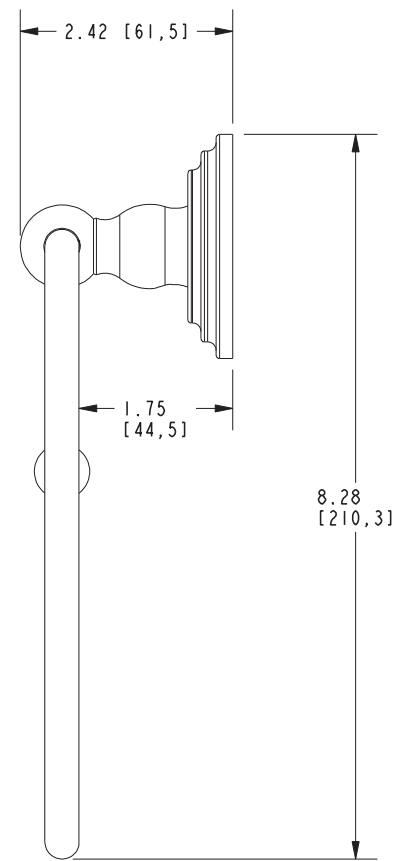
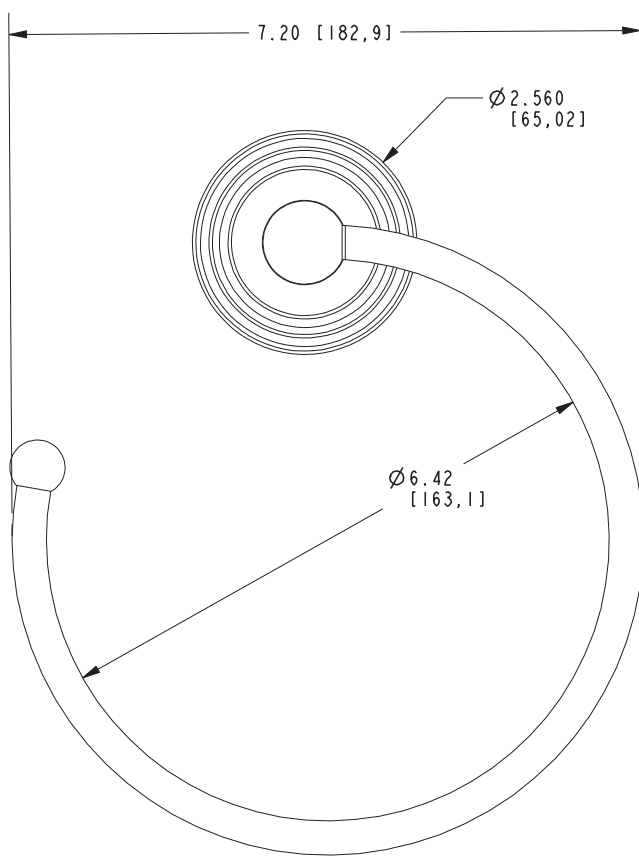
Specified Model

| Model | Description | Colors Finishes |
|-------|-----------------|-------------------------------------------------------------------------------------|
| 1121 | Open Towel Ring | <input type="checkbox"/> PC <input type="checkbox"/> PN <input type="checkbox"/> SN |

Product Specification: Add "Color / Finish" Suffix to Model Number Below

The Open Towel Ring shall be made of solid brass construction and incorporate a single-post, horizontal design with hanging, open ring. Towel Ring shall complement Ginger Chelsea product series. Open Towel Ring shall be Ginger Model 1121/_____.

1121



Chelsea Towel Ring 1121

GINGER