
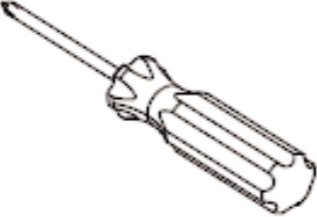

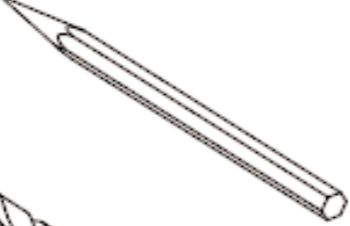

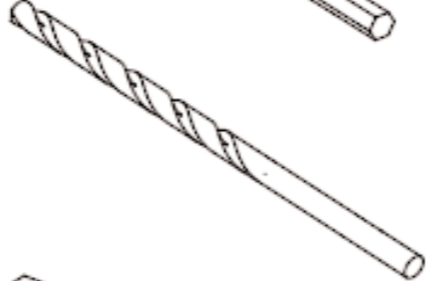

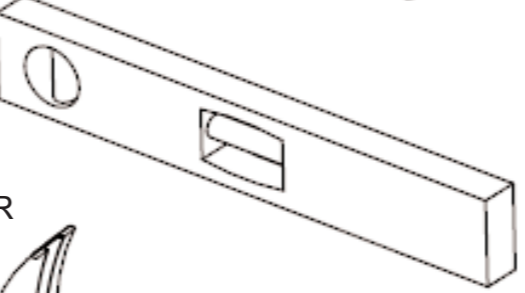

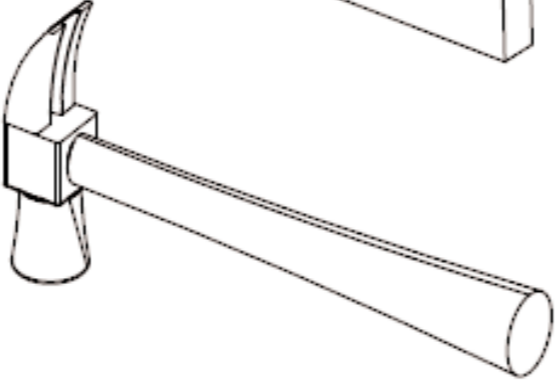

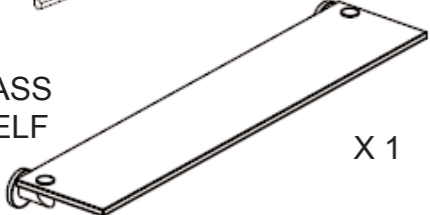


ITEMS INCLUDED	TOOLS REQUIRED
DRY WALL ANCHOR X 4 	PHILLIPS SCREW DRIVER 
TILE ANCHOR X 4 	PEN / PENCIL 
#8 SCREW X 4 	1/4" (6 mm) DRILL 
MOUNTING BRACKET X 2 	LEVEL SET 
M6X1 SET SCREW X 2 	HAMMER 
3 MM HEX KEY X 1 	
GLASS SHELF X 1 	

KUBIC

INSTALLATION INSTRUCTIONS

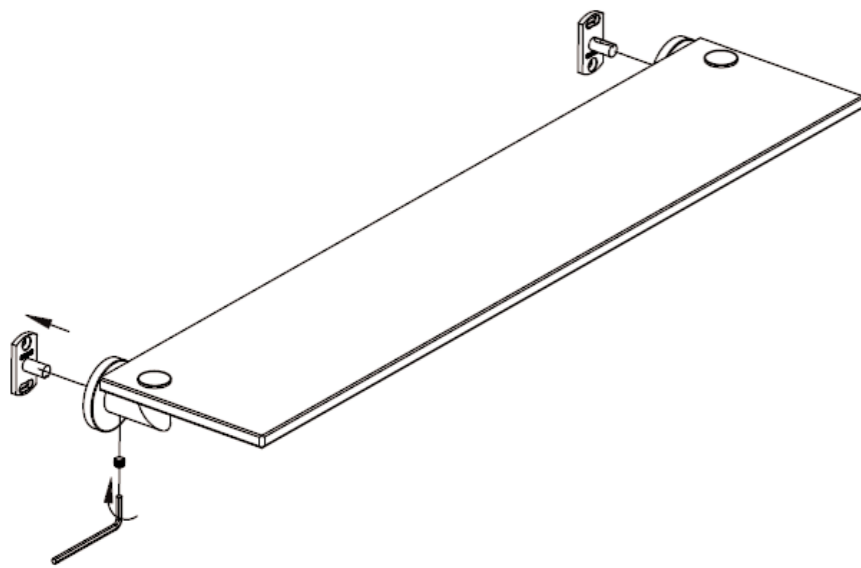
4634T

GLASS SHELF

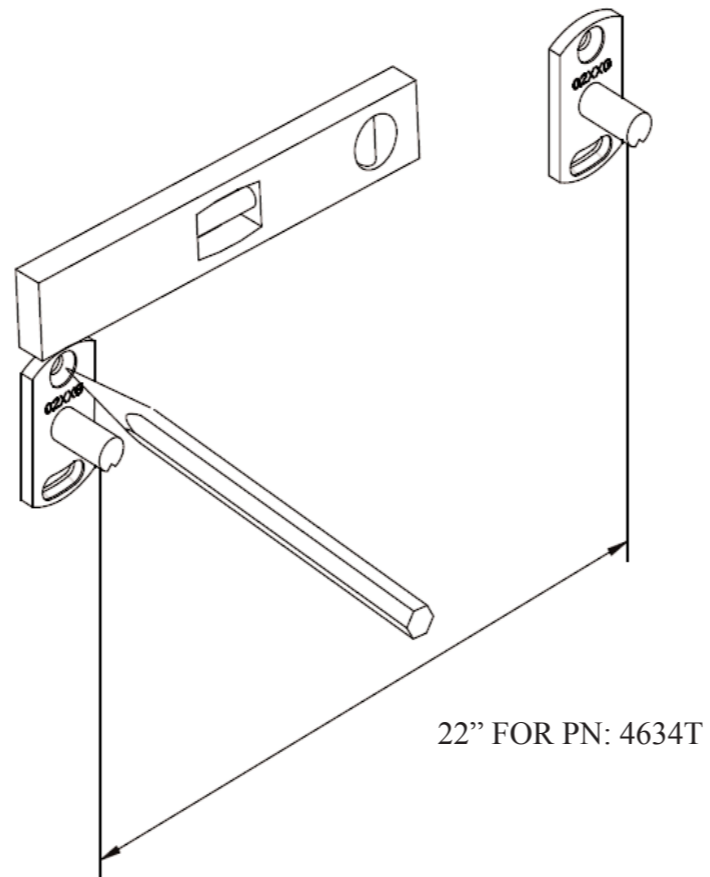
GINGER
Luxury For Your Lifestyle™

2001 CARNEGIE AVE, SANTA ANA CA 92705
 (949) 417-5207
 WWW.GINGERCO.COM

① REMOVE MOUNTING BRACKETS



② ALIGN MOUNTING BRACKETS AND MARK LOCATION



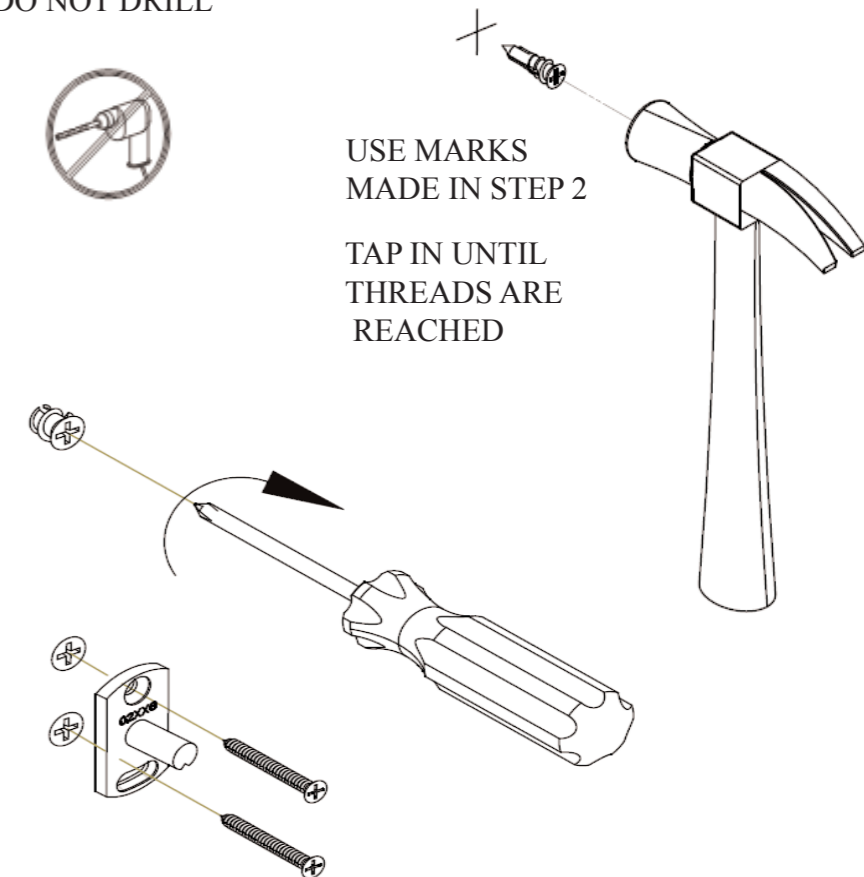
③ DRY WALL INSTALLATION

DO NOT DRILL



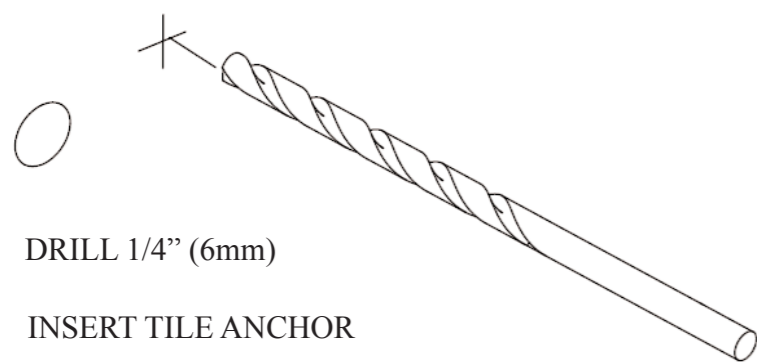
USE MARKS
MADE IN STEP 2

TAP IN UNTIL
THREADS ARE
REACHED



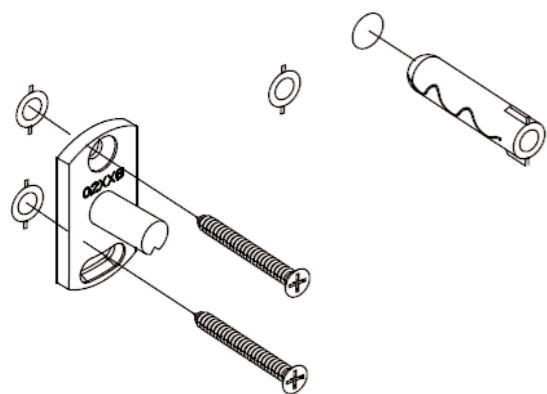
④ TILE OR SOLID WALL INSTALLATION

USE MARKS MADE IN STEP 2

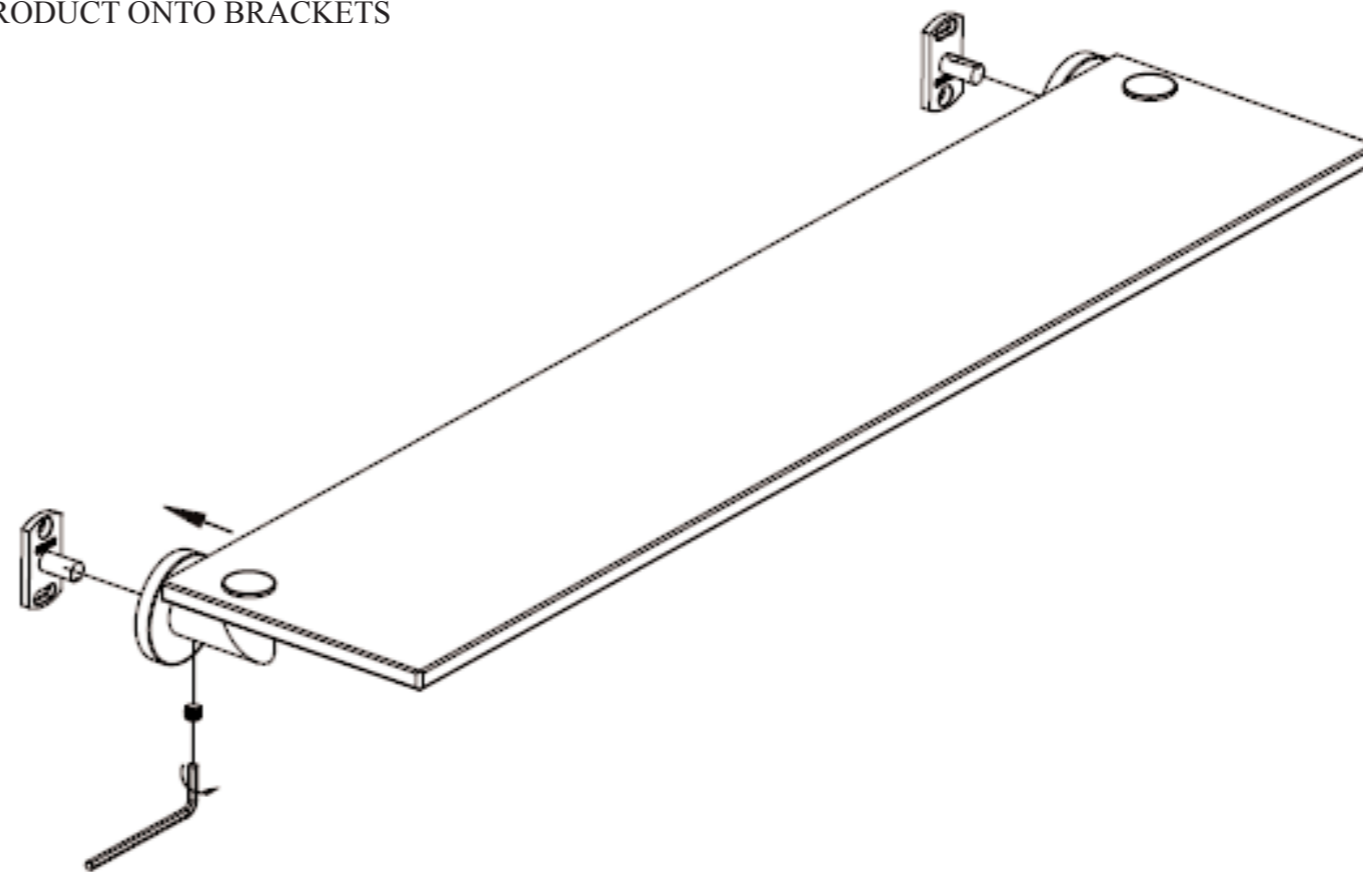


DRILL 1/4" (6mm)

INSERT TILE ANCHOR



⑤ INSTALL PRODUCT ONTO BRACKETS



SECURE WITH SET SCREW