

Wall Mount Tub Filler Installation Instructions

CALIFORNIA FAUCETS RECOMMENDS THAT ALL PLUMBING PRODUCTS BE INSTALLED BY A LICENSED PROFESSIONAL

IMPORTANT: Read all instructions prior to installation and provide copy of instructions to consumer.

Operating Specifications:

Recommended Supply Pressure: 20 to 70 psi [1.4 to 1.8 bar] ^{††}

Maximum Flow Rate: 15 gpm [56.8 L/min]

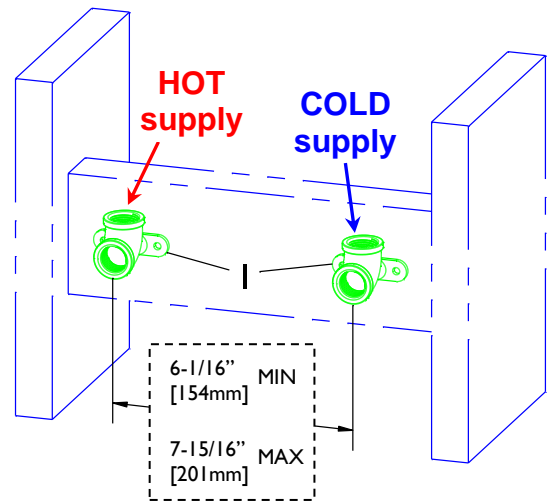
* Operating pressures between hot and cold supplies should vary no more than 30 psi [2.1 bar].

† If water pressure exceeds 70 psi [4.8 bar], install a Pressure-Reducing Valve (PRV).

1 PREPARING FITTING IN WALL

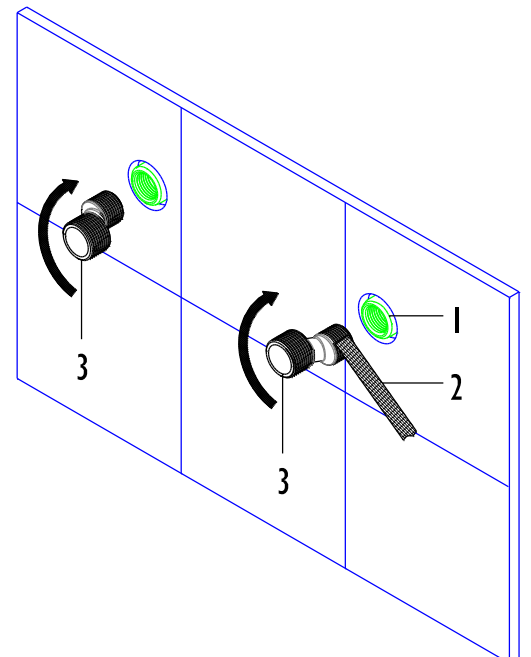
IMPORTANT: It is the responsibility of the **INSTALLER** to securely install supply ELL (1) and piping to provide proper support of this faucet.

- Securely mount the supply ELL (1) and plumbing to studs in wall to provide proper support of wall tub faucet
- Supply ELL (1) shall be 6-1/16" [154mm] to 7-15/16" [201mm] apart



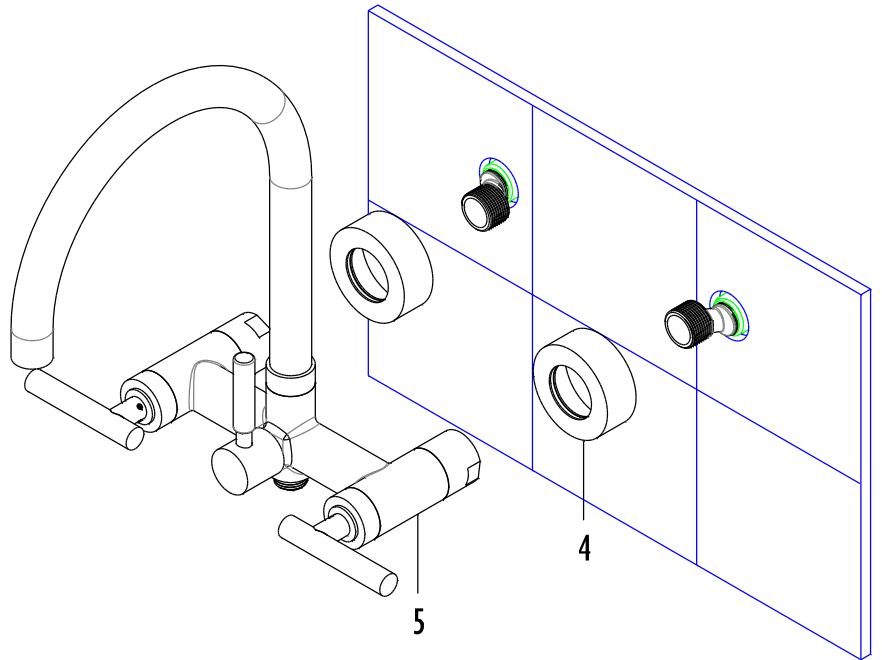
2 INSTALLING ECCENTRICS

- Apply 3-5 wraps of thread sealing TAPE (2) to inlet ECCENTRIC (3)
- Tighten ECCENTRIC (3) into supply ELL (1)
- Repeat same procedure on other side



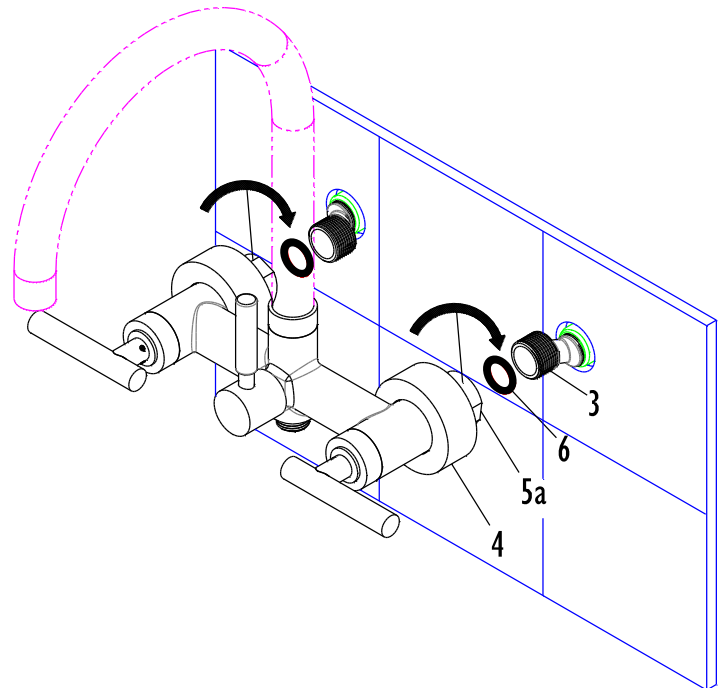
3 INSTALLING ESCUTCHEONS

- Slide ESCUTCHEON (4) onto back of BODY (5)
- Repeat same procedure on other side



4 SECURING FAUCET TO WALL

- Place WASHER (6) into NUT (5a)
- Tighten NUT (5a) onto ECCENTRIC (3)
- Slide ESCUTCHEON (4) against wall
- Repeat same procedure on other side



5 ATTACHING HANDSHOWER HOLDER

NOTE: Skip to step 6 if installing 1506-XX tub filler.

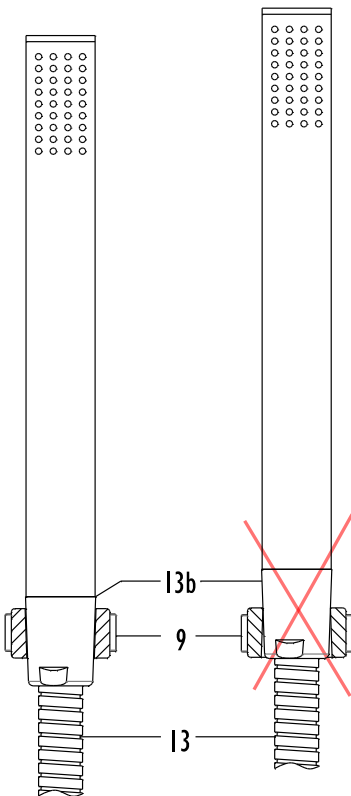
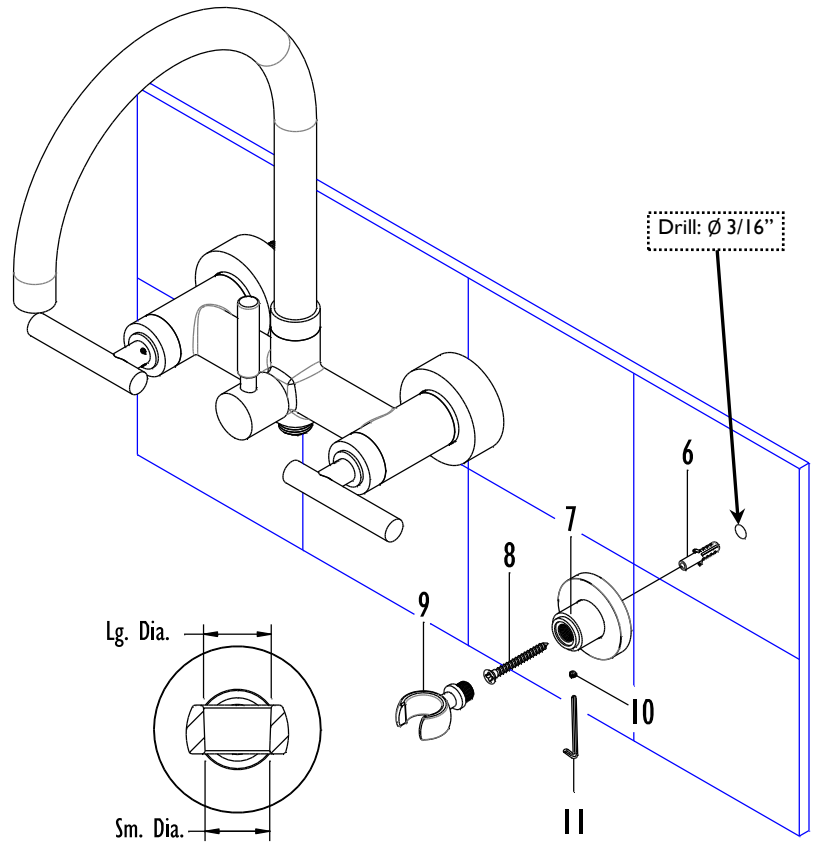
IMPORTANT: It is the responsibility of the **INSTALLER** to discuss with **CONSUMER** as to which side the **HANDSHOWER (14)** shall be placed on the wall before proceeding.

- Drill \varnothing 3/16" hole on wall for handshower holder
- Install **ANCHOR (6)** into hole
- Secure holder **BASE (7)** onto wall with **SCREW (8)**
- Tighten **HOOK (9)** into **BASE (7)**

IMPORTANT: The hook must be rotated to have the larger diameter at the top for proper joining of handshower.

- Secure **HOOK (9)** in place by tightening **SETSCREW (10)** with **KEY (11)**
- Attach **CONICAL (13b)** nut of **HOSE (13)** to **HANDSHOWER (14)** to confirm proper orientation of the **HOOK (9)** as shown below

Skip to step 6 if installing 1506-XX tub filler



6 FINAL CONNECTIONS

- Attach inlet of CHECK VALVE (12) to OUTLET (5b) of BODY (5)
- Attach HEX (13a) nut of HOSE (13) to outlet of CHECK VALVE (12)
- Attach HANDSHOWER (14) to CONICAL (13b) and place in holder or cradle
- Operate faucet diverter from tub spout to handshower and check for leaks

NOTE: FOR 1506-XX ONLY: Cradle OUTLET (5b) can be adjusted in either direction by loosening CRADLE NUT (5c) and rotating cradle. Tighten using adjustable wrench.

IMPORTANT: To prevent scratches or damage to finish, place clean microfiber towel over CRADLE NUT (5c) when using adjustable wrench.

