



California Faucets®

9620(Q)-K10, 9620(Q)-K30, 9620(Q)-K50,
9620(Q)-K51, 9620(Q)-K55,
9620(Q)-K81, & 9620-K90

Kitchen Cold Water Dispenser Installation Instructions

**CALIFORNIA FAUCETS RECOMMENDS THAT ALL PLUMBING PRODUCTS BE INSTALLED
BY A LICENSED PROFESSIONAL**

IMPORTANT: Read all instructions prior to installation and provide copy of instructions to consumer.

Operating Specifications:

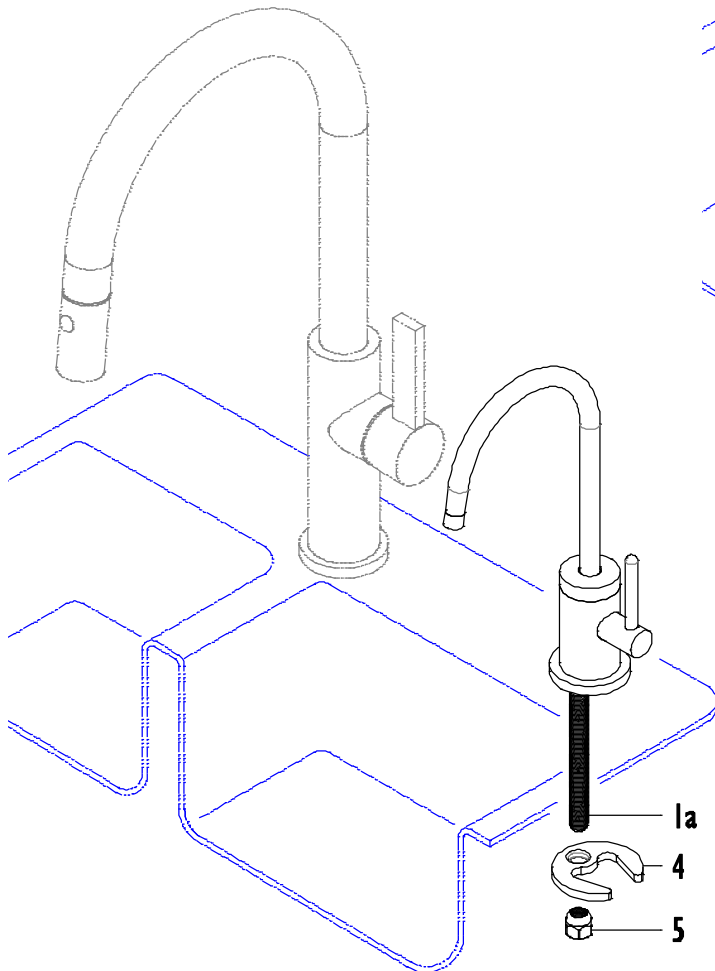
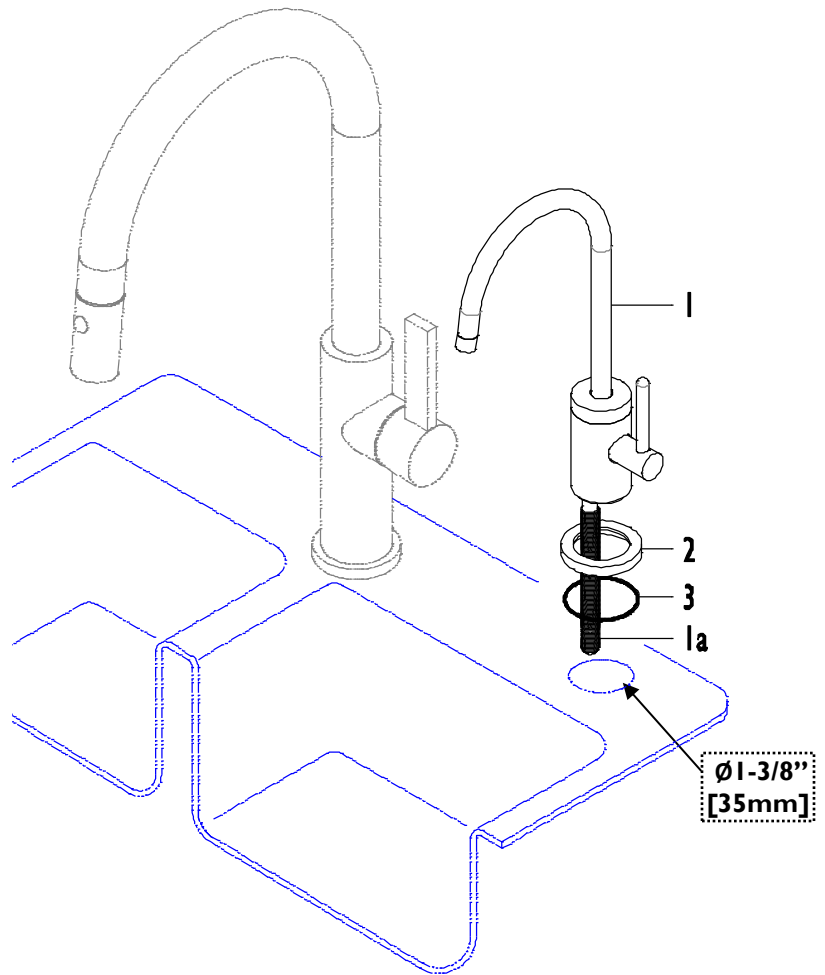
Recommended Supply Pressure: 20 to 70 psi [1.4 to 4.8 bar] †

† If water pressure exceeds 70 psi [4.8 bar], install a Pressure-Reducing Valve (PRV).

I INSTALLING TO SINK/DECK

Important: The recommended sink/deck through-hole shall be $\varnothing 1\text{-}3/8"$ [35mm]. Maximum sink/deck thickness should no greater than $3\text{-}3/4"$ [95mm]

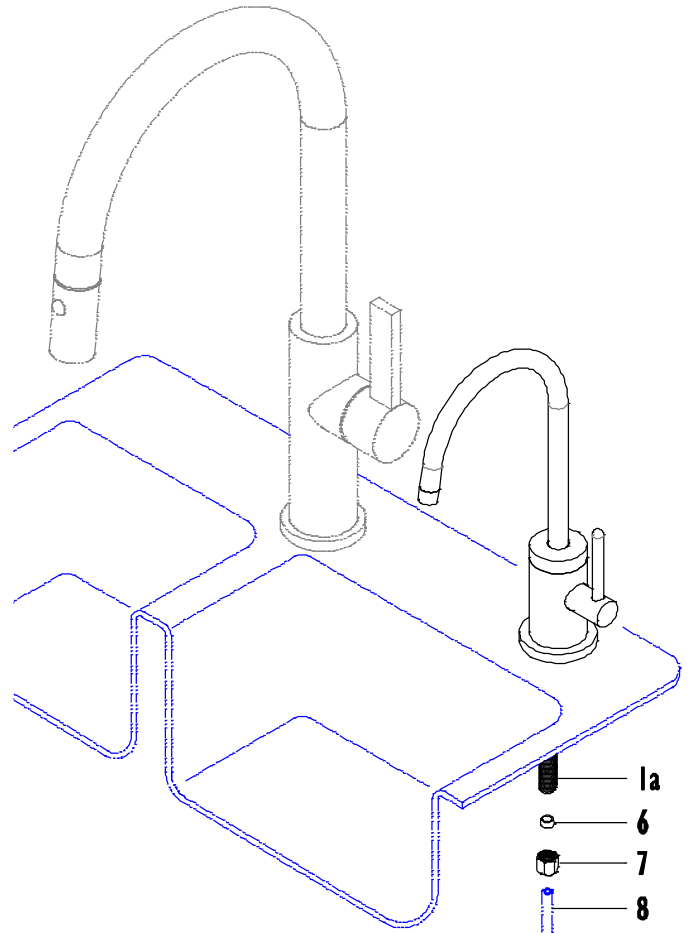
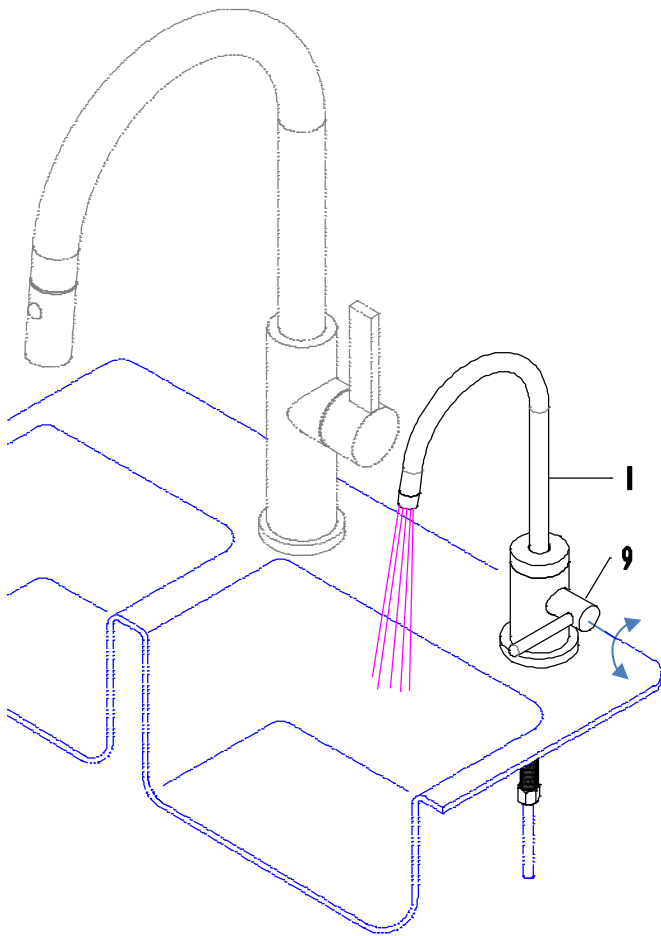
- Place BASE (2) with O-RING (3) onto BODY (1) and slide SHANK (1a) through hole
- From underside slide MOUNT (4) and NUT (5) onto SHANK (1a); loosely tighten NUT (5)
- From topside position BODY (1) with handle on right side as shown and from underside securely tighten NUT (5)



2

WATER CONNECTIONS

- Place 1/4" compression NUT (7) and SLEEVE (6) onto filter supply LINE (8)
- Securely tighten 1/4" compression NUT (7) onto SHANK (1a)
- Turn water supply on at filter unit and rotate HANDLE (9) forward to rinse water through FAUCET (1)
- Check for leaks and adjust as necessary



1/4" COLD
supply from
filter unit