

NEWPORT BATH

Wall Tub Rough Valve **1-500U**



Features

- Solid brass construction
- 1/2" NPT female thread (inlet and outlet) valve body
- Mounting tabs located on rough-in for secure installation option
- Quarter-turn washerless ceramic valve cartridges.
- Requires Newport Brass Wall Mount Tub Trim (many options available, sold-separately)

Codes / Standards Compliance

Meets or exceeds the following at date of manufacture:

- ASME A112.18.1/CSA B125.1-18
- IAPMO/cUPC
- IPC
- All applicable US Federal and State material regulations



Colors / Finishes

- 10B: Oil Rubbed Bronze
- 15: Polished Nickel
- 15S: Satin Nickel - PVD
- 26: Polished Chrome
- Other: Refer to the Newport Brass catalog for additional color/finish options.

Specified Model

Model	Description	Colors Finishes
1-500U	Wall Tub Rough Valve	<input type="checkbox"/> NA

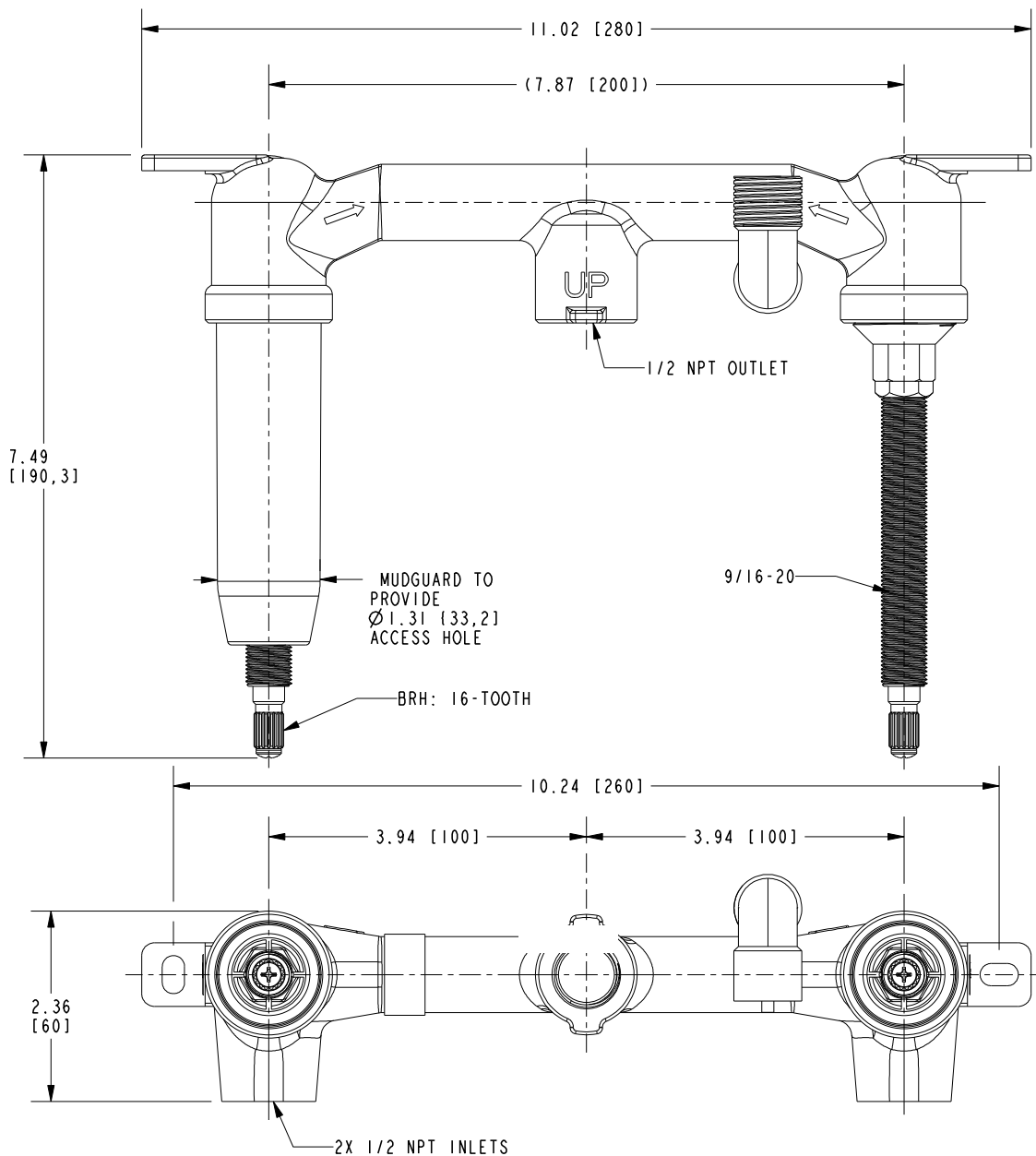
Product Specification:

Add "Color / Finish" suffix to Model number, below.

The wall mount valve for tub installations shall be made of solid brass construction. Valve body shall have 1/2" NPT female thread for inlets and outlet. Valve body shall incorporate quarter-turn washerless ceramic valve cartridges. Valve body shall incorporate mounting tabs along the back surface. Rough Valve for wall mount tub installations shall be Newport Brass Model 1-500U.

1-500U

PRODUCT DIMENSIONS *(Units are in inches)*



Newport Wall Tub Rough Valve 1-500U