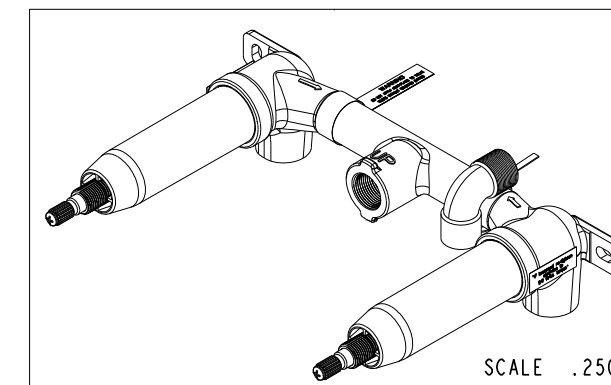
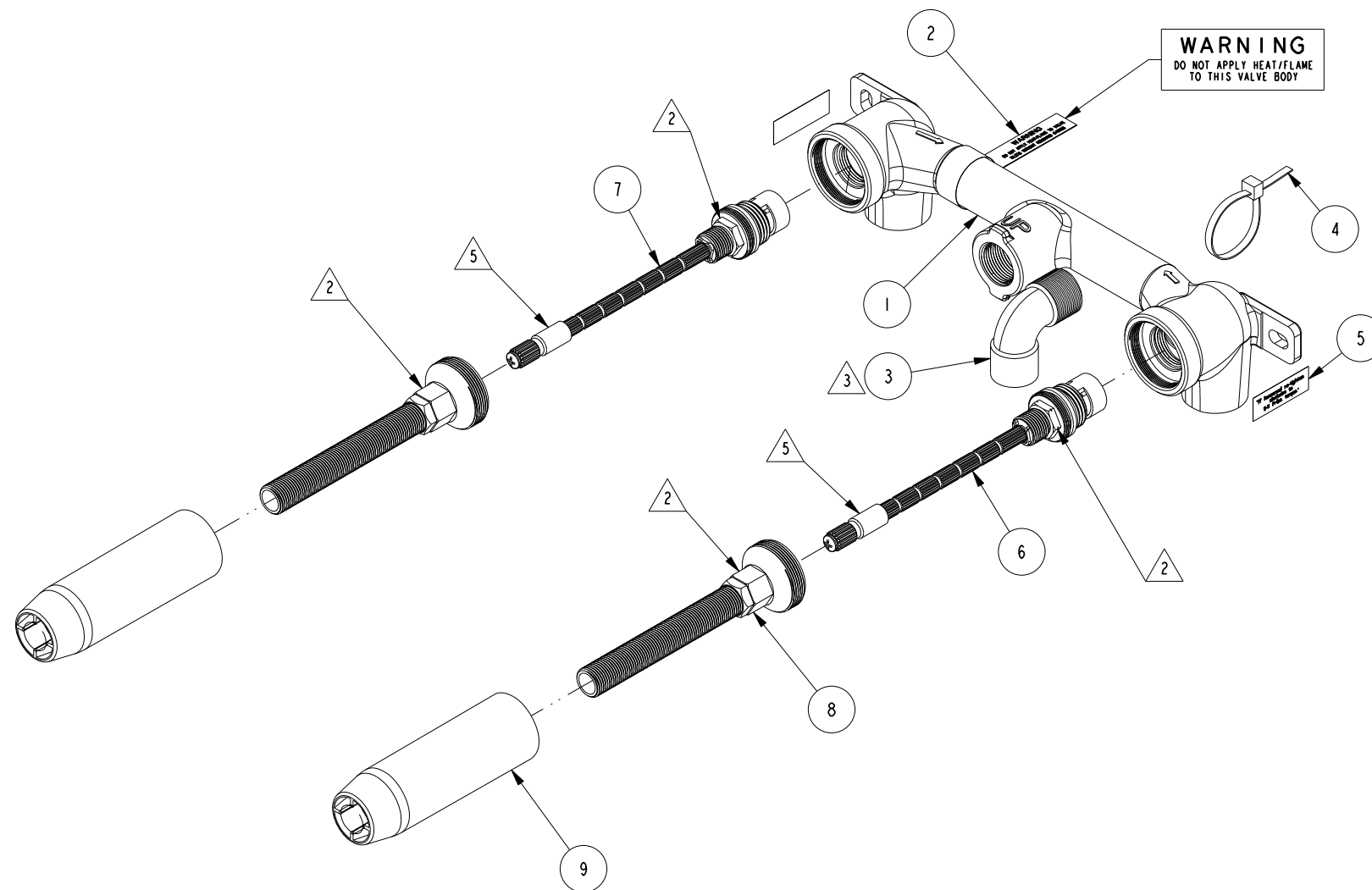


NOTES:

1. TO INSPECT ASSEMBLY, FOLLOW FIRST ARTICLE AND IN PROCESS INSPECTION SHEET.
2. TORQUE TO 9-11 FT-LBS.
3. ATTACH 1/2" ELBOW TO VALVE BODY USING CABLE TIE.
4. IF CARTRIDGE STEM LENGTH IS TOO SHORT OPTIONAL STEM EXTENSION KIT #1-384 CAN BE PURCHASED TO EXTEND STEM LENGTH.
5. FUNCTIONAL TORQUE RANGE 2.5-5.5 IN-LBS.

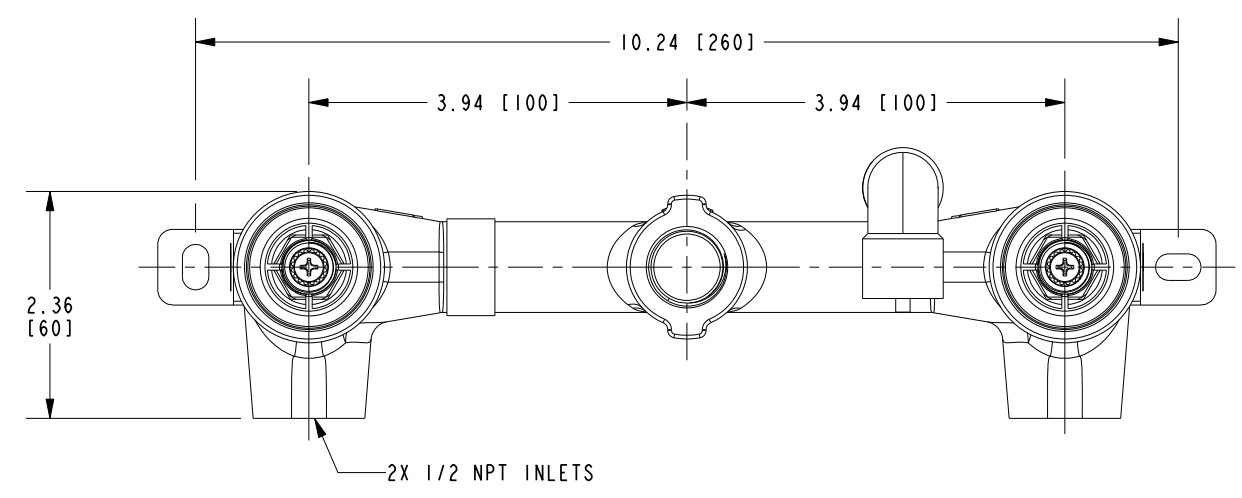
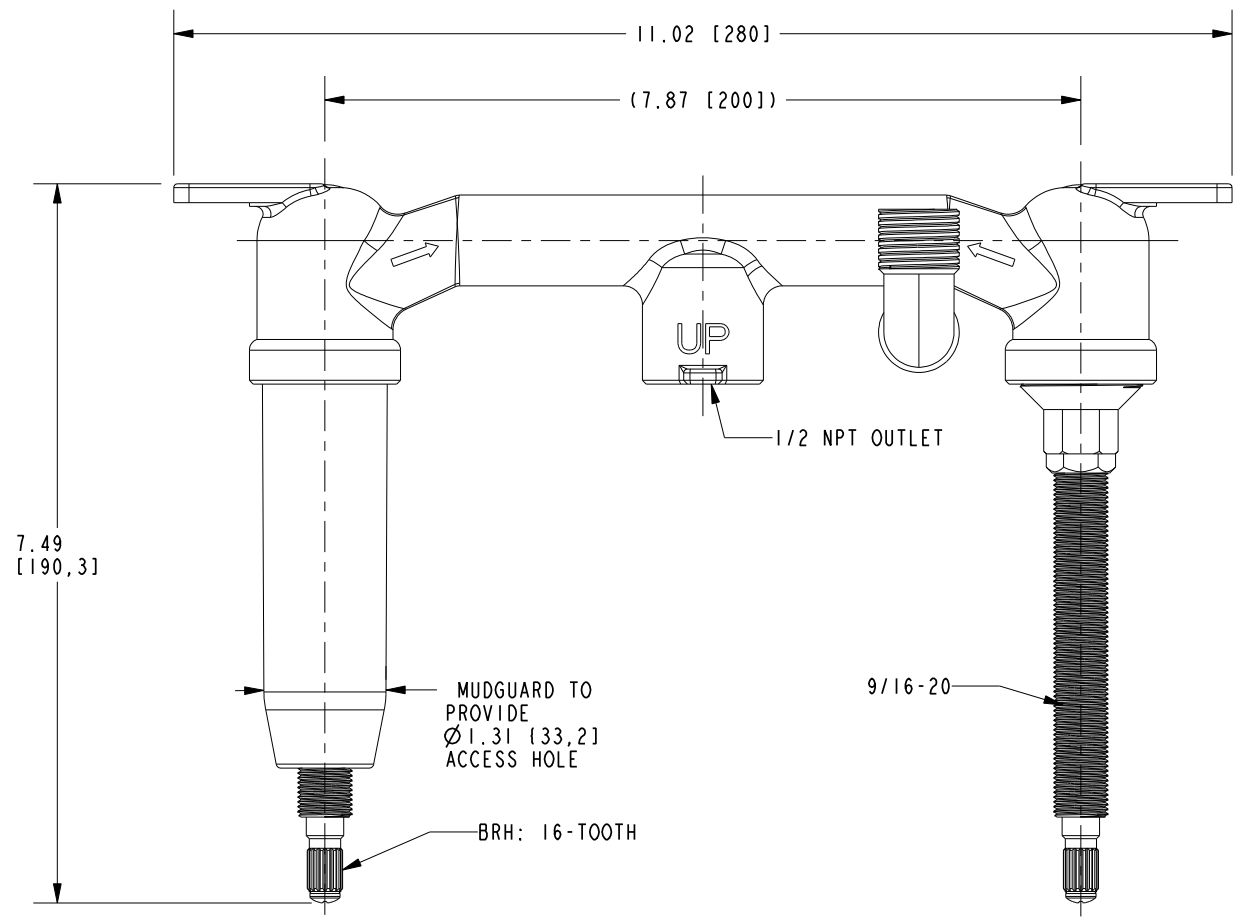
BILL OF MATERIAL (CURRENT LEVEL)				
ITEM	PT/ASSY	DESCRIPTION	TYPE	QTY.
1	11989	VALVE BODY, IN-WALL LAV 1/2" NPT	PART	1
2	98042	WARNING LABEL	PART	1
3	92289	1/2" ELBOW	PART	1
4	91476	CABLE TIE	PART	1
5	98029	STICKER, 9-11 FT-LBS TORQUE	PART	2
6	1-452	T/S CARTRIDGE-COLD	ASSEMBLY	1
7	1-453	T/S CARTRIDGE-HOT	ASSEMBLY	1
8	1-455	NIPPLE ASM	ASSEMBLY	2
9	91787	MUD COVER, VALVE 3/4"	PART	2



REV	DESCRIPTION	DATE	APPROVED
B	EN-4702	09/05/23	K.N.
A	EN-4300kk	03/22/21	R.S.
-	EN-3961A	01/13/20	C.G.

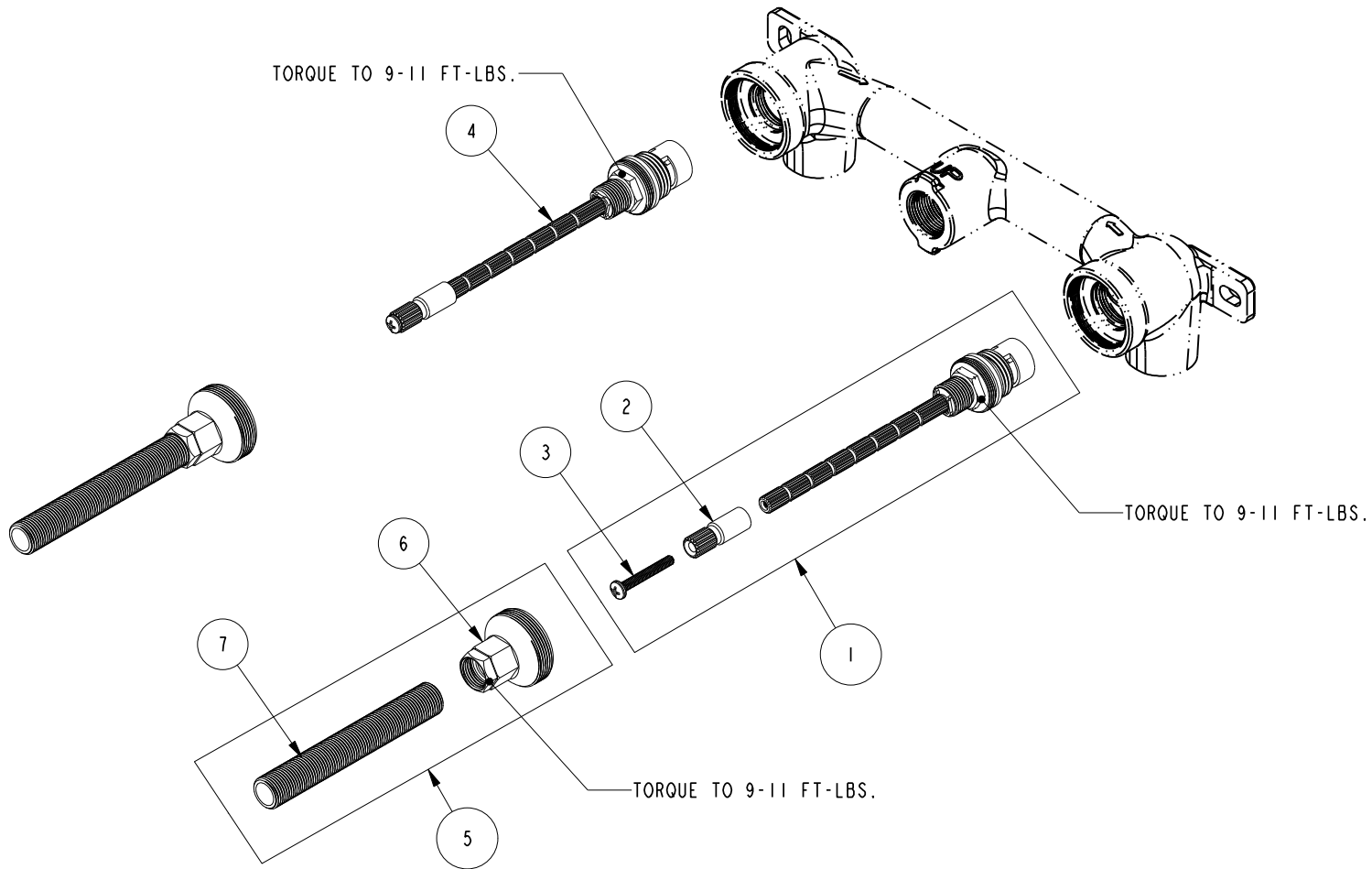
COPYRIGHT 2005 BRASSTECH, INC. THESE DRAWINGS AND THE DESIGNS DEPICTED HEREIN ARE THE PROPRIETARY PROPERTY OF BRASSTECH. ANY USE OR REPRODUCTION IS SUBJECT TO THE EXPRESS APPROVAL OF BRASSTECH. UNAUTHORIZED USE IS STRICTLY PROHIBITED. ALL RIGHTS RESERVED.

-	-	UNITS ARE: INCHES [MM]	TOLERANCES ARE:		BRASSTECH 2001 CARNEGIE AVE. INCORPORATED SANTA ANA, CA 92705 (949) 417-5207
-	-	FRACTIONS DECIMALS ANGLES	±1/16"	±1"	
-	-	X.XXX DENOTES CRITICAL DIMS. ALL THREADS ARE CRITICAL	.X ±.1 (2.5)		TUB - VALVE ROUGH DWG NO. 1-500U
3-1225	3-1225		.XX ±.06 (1.5)		
NEXT ASSY	USED ON	DRAWN	JINSON	01/13/20	REV
APPLICATION		CHECKED	C.G.	01/13/20	B
REMOVE ALL BURRS AND SHARP EDGES		APPROVED	C.G.	01/13/20	SCALE .350
				REF. -	SHEET 1 OF 3



REPLACEMENT PARTS

ITEM	PT/ASSY	SPECIFY FINISH	DESCRIPTION
1	1-452		T/S CARTRIDGE-COLD
2	12790		1.20" ADAPTER- 20-T X 16-T
3	92850		M4 X .7 X 30 MM PHIL PAN HD SS
4	1-453		T/S CARTRIDGE-HOT
5	1-455		NIPPLE ASM
6	13308		NUT
7	10631		NIPPLE 9/16-20



TUB - VALVE ROUGH
1-500U

REV B EN-4702 09/05/23 APPROVED RS

NEWPORT BRASS.

t: 949.417.5207 | www.newportbrass.com